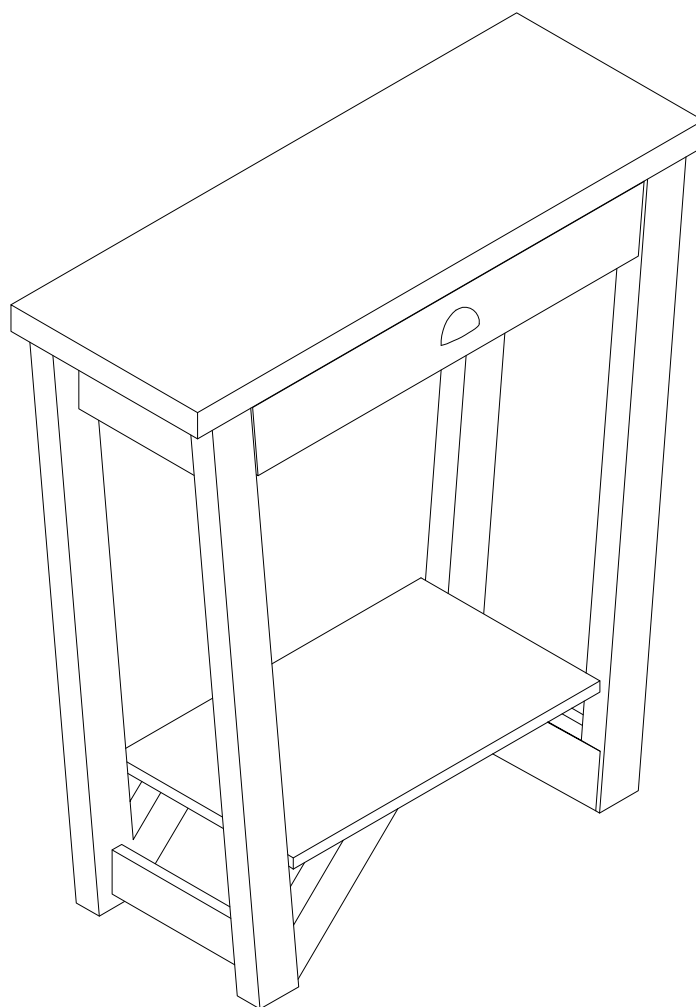


# ASSEMBLY INSTRUCTIONS / INSTRUCTIONS D'ASSEMBLAGE

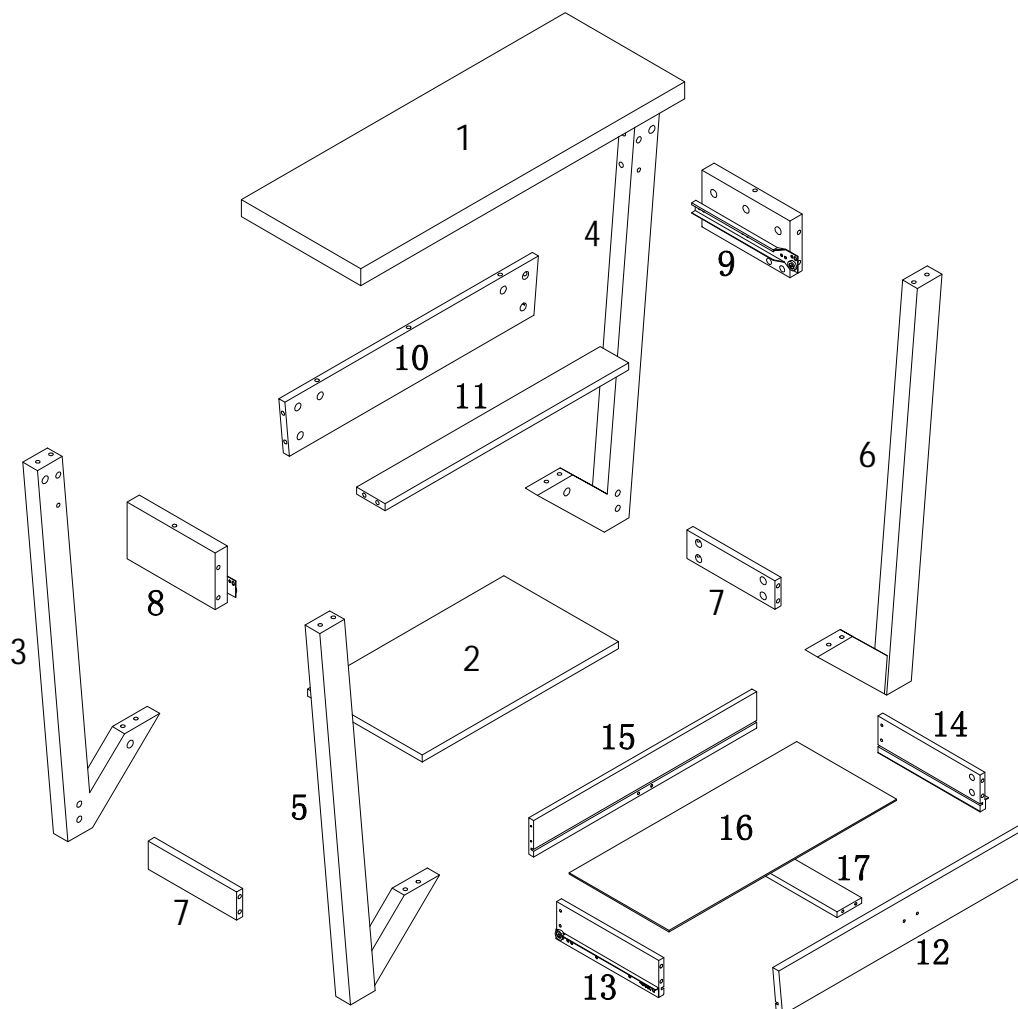
---

ITEM NO/NO ARTICLE: ARIBKCON/161600  
ARICRCON/161617



# PARTS IDENTIFICATIONS / IDENTIFICATION DES PIECES

ITEM NO/NO ARTICLE: ARIBKCON/161600  
ARICRCON/161617



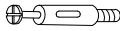


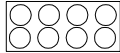

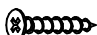

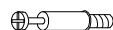





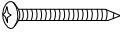



(1)	1pc/pce
(2)	1pc/pce
(3)	1pc/pce
(4)	1pc/pce
(5)	1pc/pce
(6)	1pc/pce
(7)	2pcs/pce

(8)	1pc/pce
(9)	1pc/pce
(10)	1pc/pce
(11)	1pc/pce
(12)	1pc/pce
(13)	1pc/pce
(14)	1pc/pce

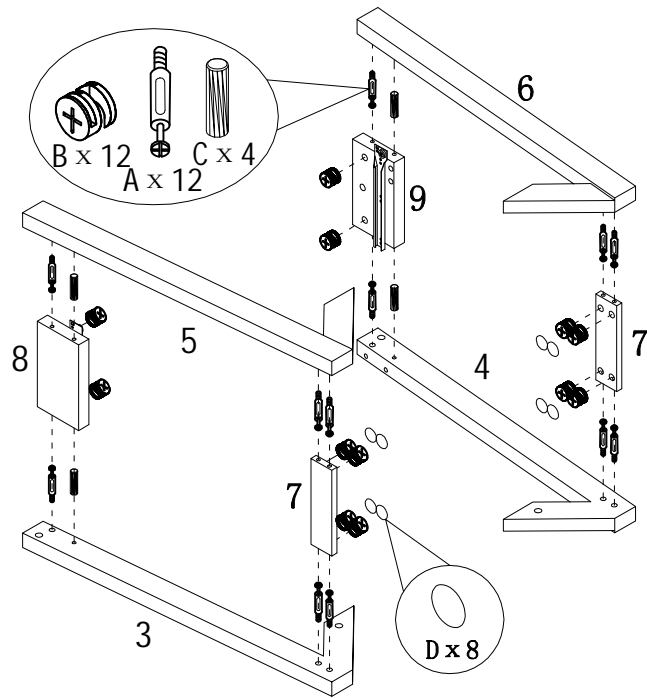
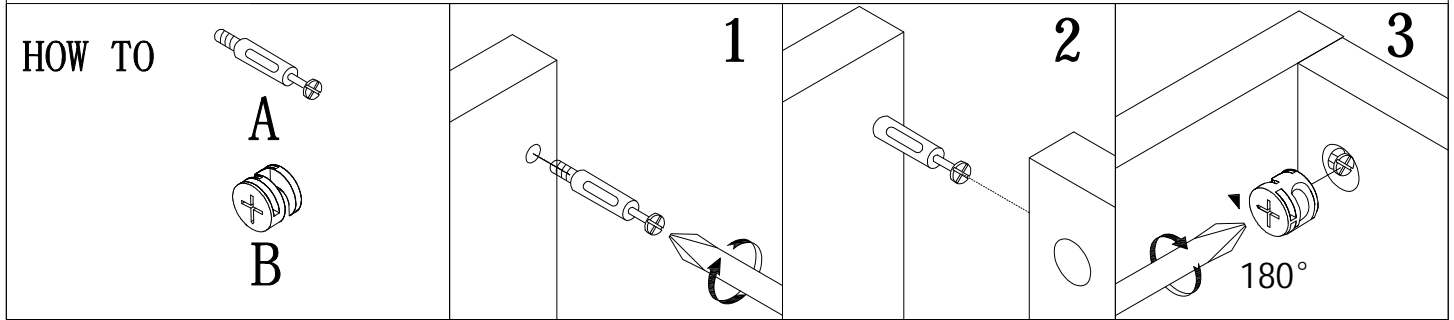
(15)	1pc/pce
(16)	1pc/pce
(17)	1pc/pce

# HARDWARE IDENTIFICATIONS/ IDENTIFICATION DU KIT D'ASSEMBLAGE

ITEM NO/NO ARTICLE: ARIBKCON/161600  
ARICRCON/161617

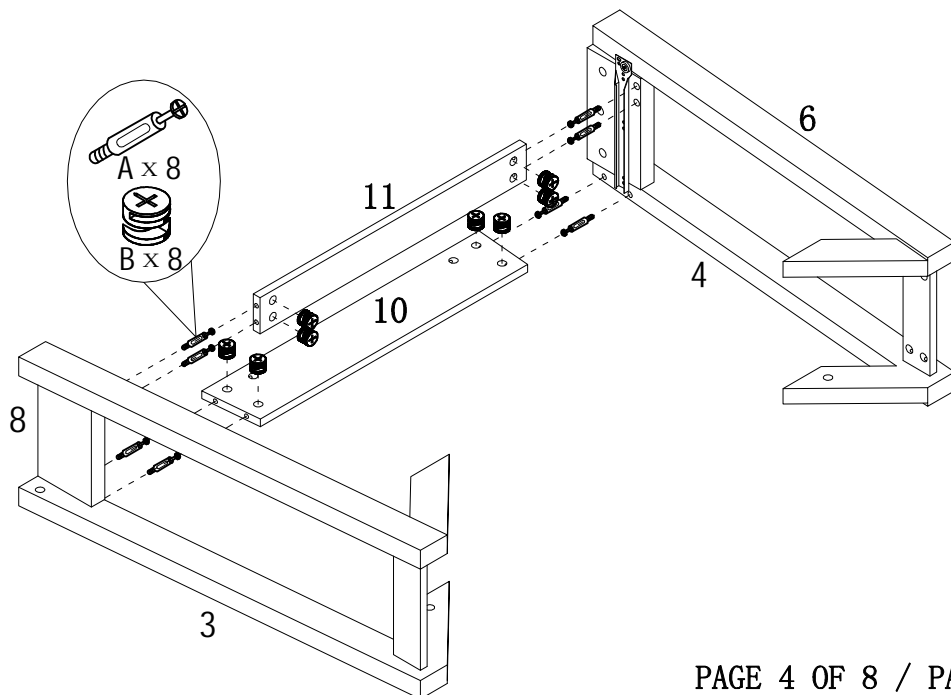
A		L29	32pcs/pces
B		∅15	32pcs/pces
C		∅8x25	13pcs/pces
D		∅22	16pcs/pces
E		∅16	4pcs/pces
F		∅4x30	6pcs/pces
G		∅6x30	2pcs/pces
H		L20	4pcs/pces
I		∅12	4pcs/pces
J		#64	1pc/pces
K		∅4x16	2pcs/pces
L		∅8x40	1pc/pces
M		∅12x12x1	2pcs/pces
N		∅5x40	1pc/pces
O		∅4x25	1pc/pces
P		197×5×1	1pc/pces
Q		<p>Glue: For securing please apply to wood dowel first before inserting into panel. Colle: Appliquez de la colle sur les goujons en bois avant de les insérer dans le panneau.</p>	1pc/pces

ITEM NO/NO ARTICLE: ARIBKCON/161600  
ARICRCON/161617

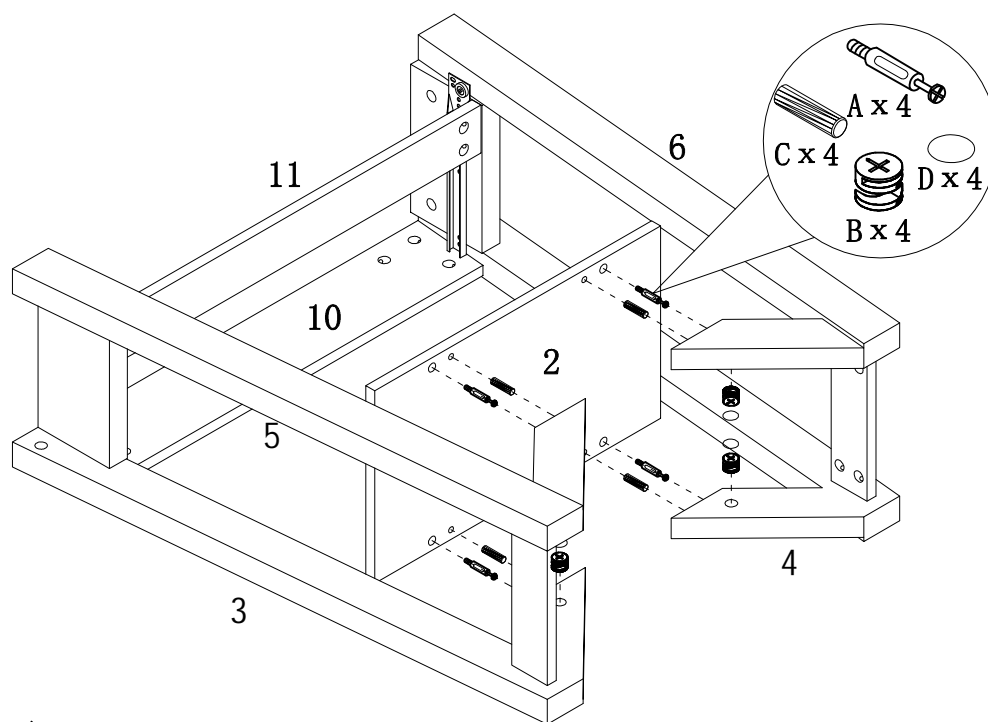


STEP 1 / ETAPE 1

STEP 2 / ETAPE 2

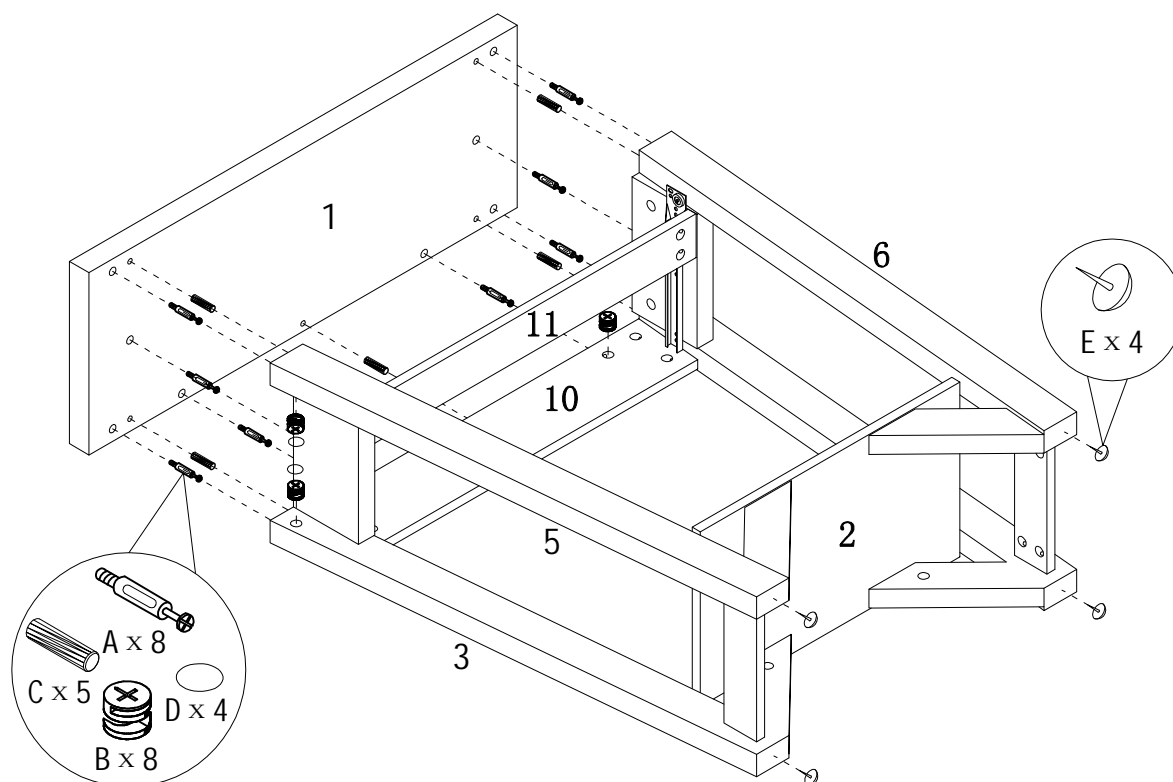


ITEM NO/NO ARTICLE: ARIBKCON/161600  
ARICRCON/161617

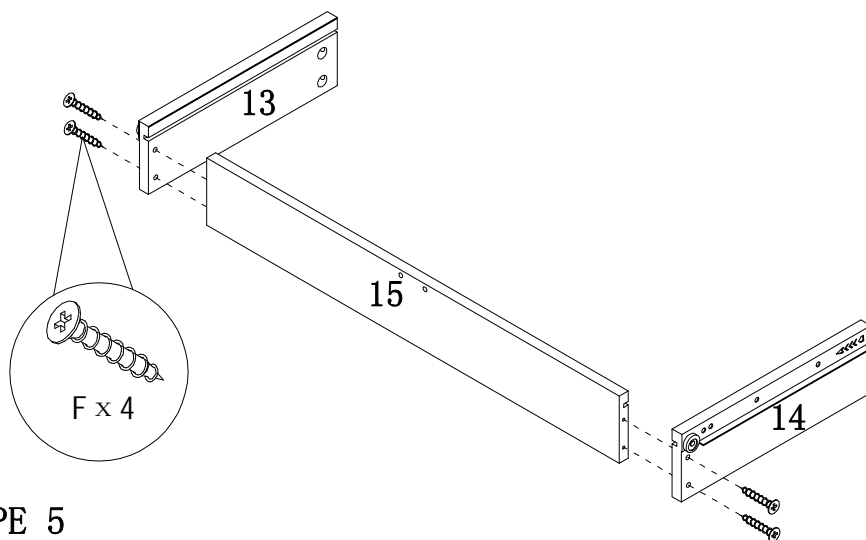


STEP 3 / ETAPE 3

STEP 4 / ETAPE 4

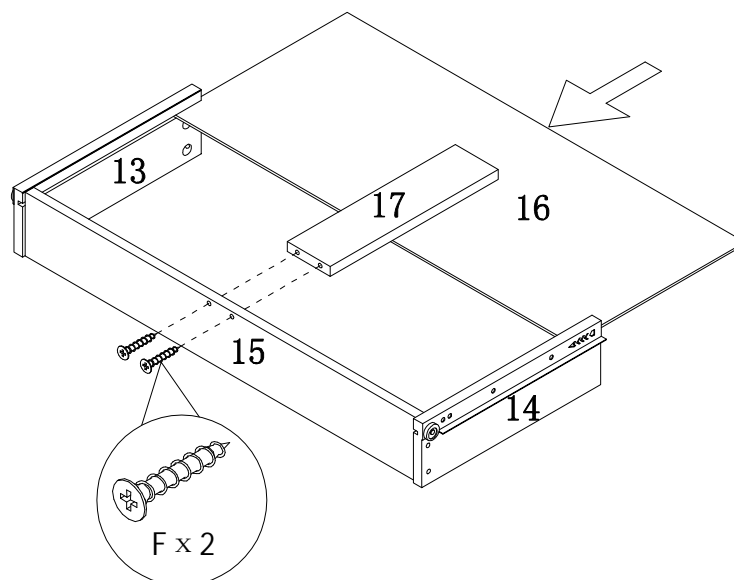


ITEM NO/NO ARTICLE: ARIBKCON/161600  
ARICRCON/161617

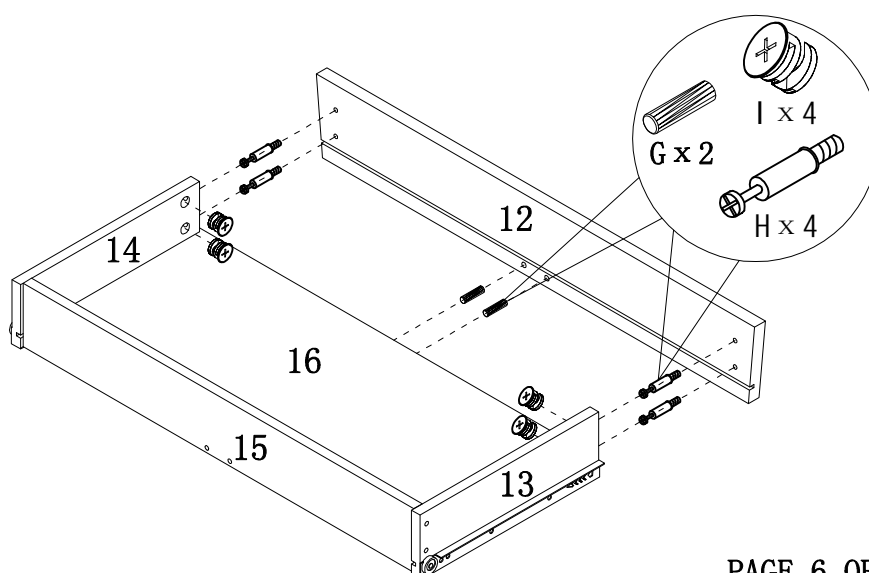


STEP 5 / ETAPE 5

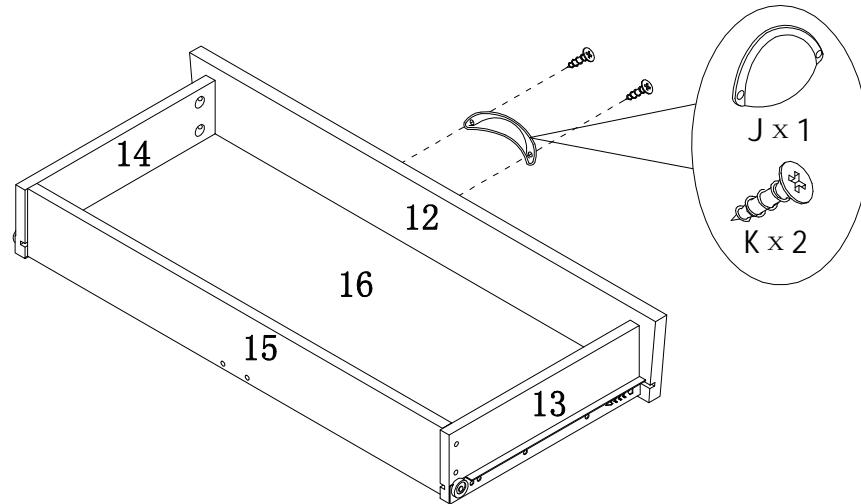
STEP 6 / ETAPE 6



STEP 7 / ETAPE 7

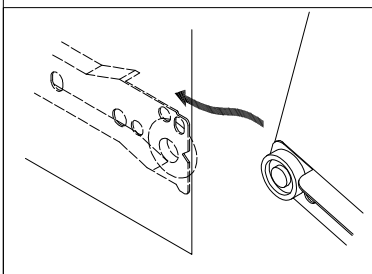
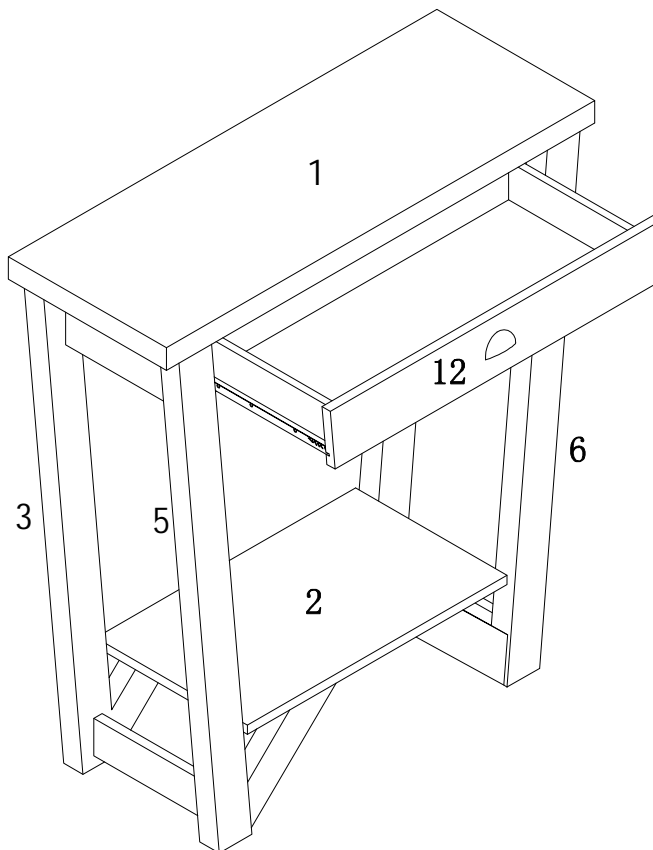


ITEM NO/NO ARTICLE: ARIBKCON/161600  
ARICRCON/161617



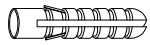
STEP 8 / ETAPE 8

STEP 9 / ETAPE 9

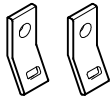


# ANTI-TIPPING STRAP INSTRUCTION

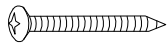
## HARDWARE (INCLUDED) :



DRYWALL ANCHOR  $\phi 8 \times 40$  X 1PC



METAL BRACKETS  $12 \times 12 \times 1$  X 2PCS



DRYWALL SCREW  $\phi 5 \times 40$  X 1PC

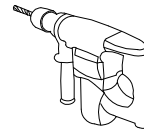


STRAP  $197 \times 5 \times 1$  X 1PC



FLATHEAD SCREW  $\phi 4 \times 25$  X 1PC

## TOOLS NEEDED ( NOT INCLUDED) :



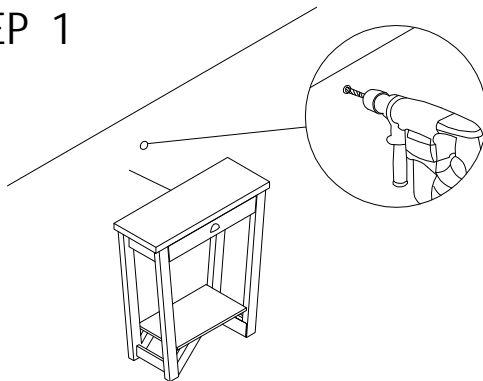
DRILL & DRILL BIT



LIGHT HAMMER

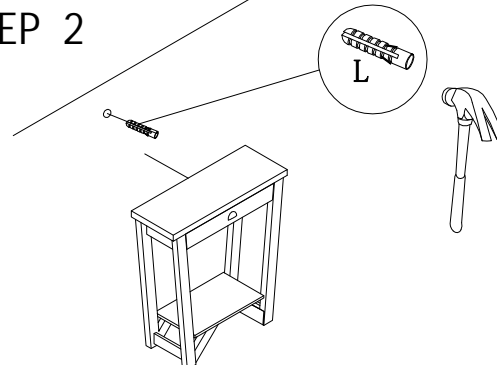
Note: Hardware included only compatible with standard drywalls.

### STEP 1



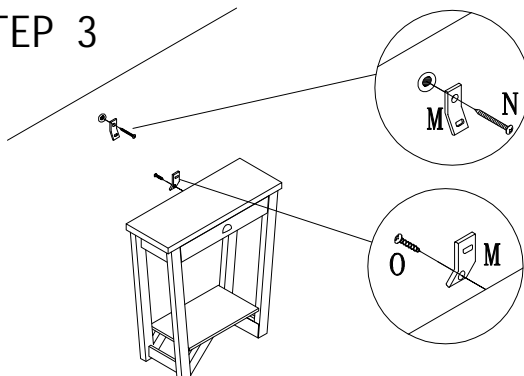
1. Find spot on wall 1" below top of item.
2. Using a drill bit slightly thinner than anchor, drill hole into drywall.

### STEP 2



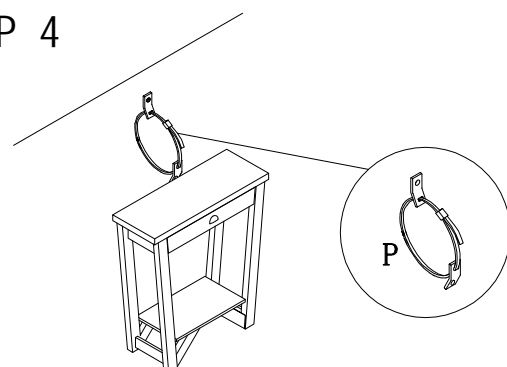
1. Use a light hammer to tap anchor into hole.
2. Anchor should fit snugly. If hole is too small, drill again to increase hole size. Do not force anchor into wall.

### STEP 3



1. Insert drywall screw into metal bracket and into drywall anchor.
2. Insert flathead screw into second metal bracket and into back of item along top edge.

### STEP 4



1. Insert strap thru bracket attached to wall, then thru bracket on item, and into head of strap.
  2. pull lightly til strap stops.
- Assembly is complete.