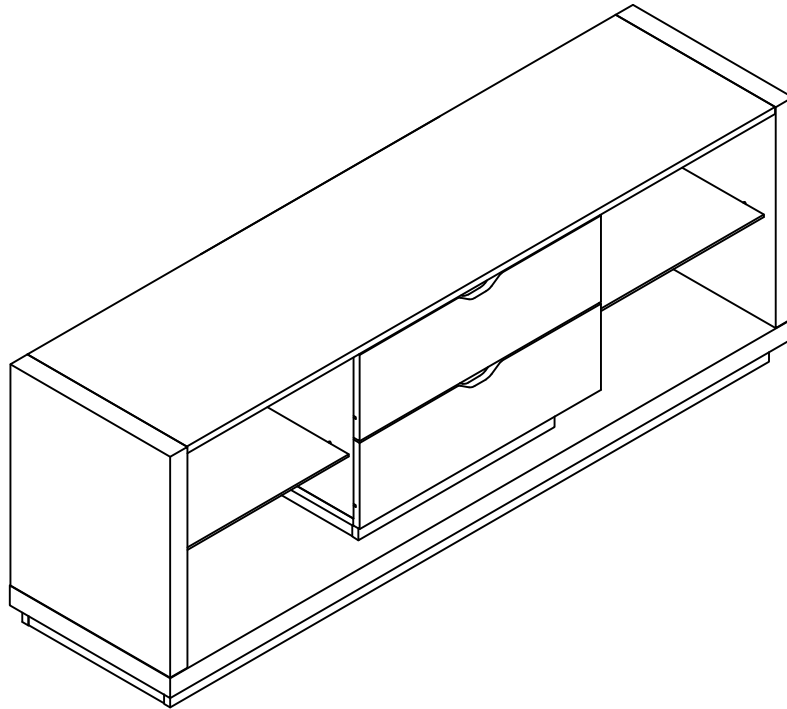


ASSEMBLY INSTRUCTIONS /  
INSTRUCTIONS D'ASSEMBLAGE

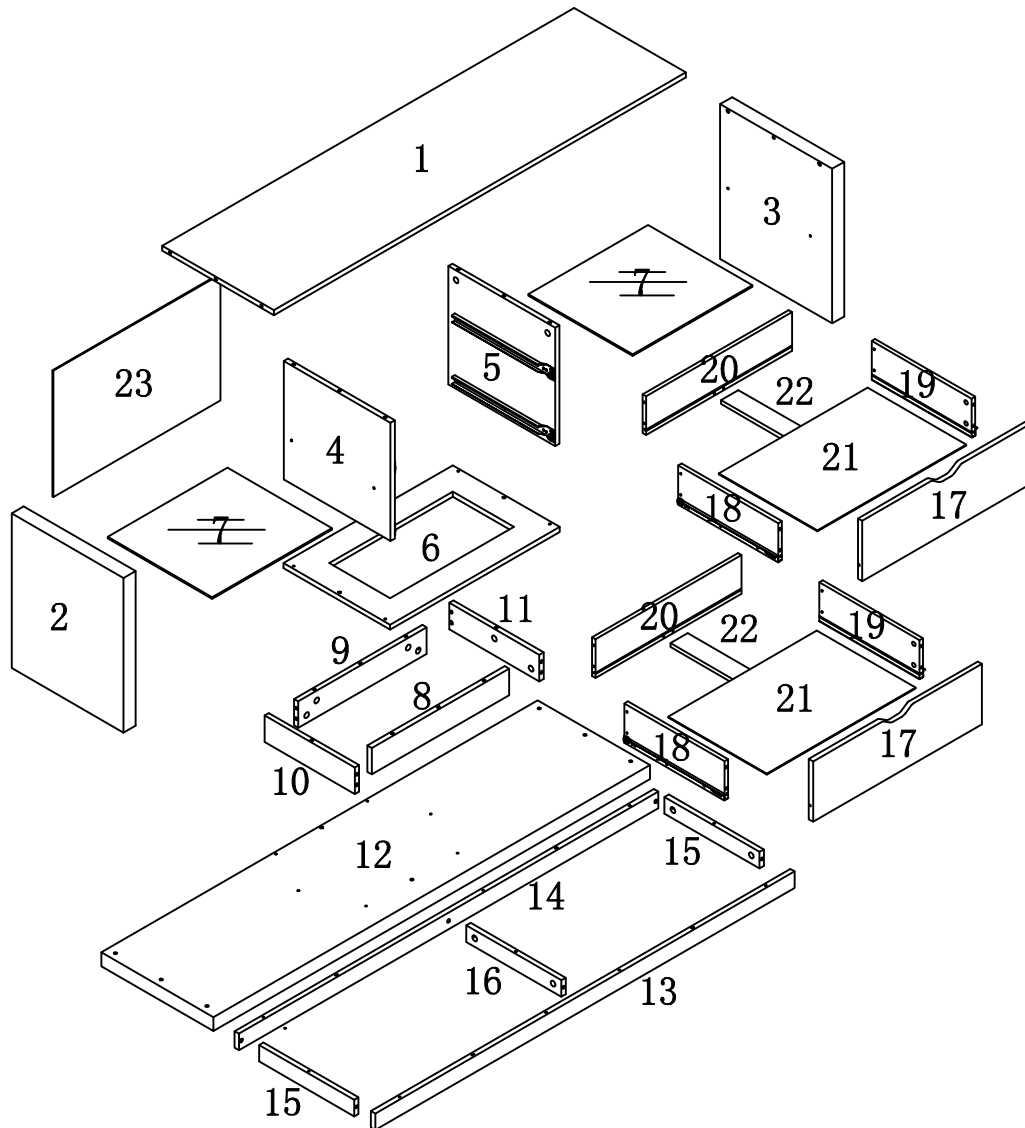
---

ITEM NO/NO ARTICLE: ALE84TV/192470-84



# PARTS IDENTIFICATIONS / IDENTIFICATION DES PIECES




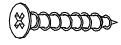
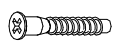

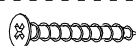


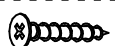
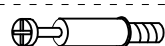

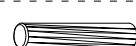




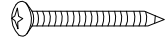
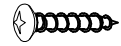

ITEM NO/NO ARTICLE: ALE84TV/192470-84



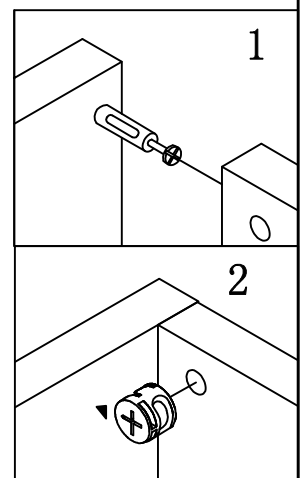
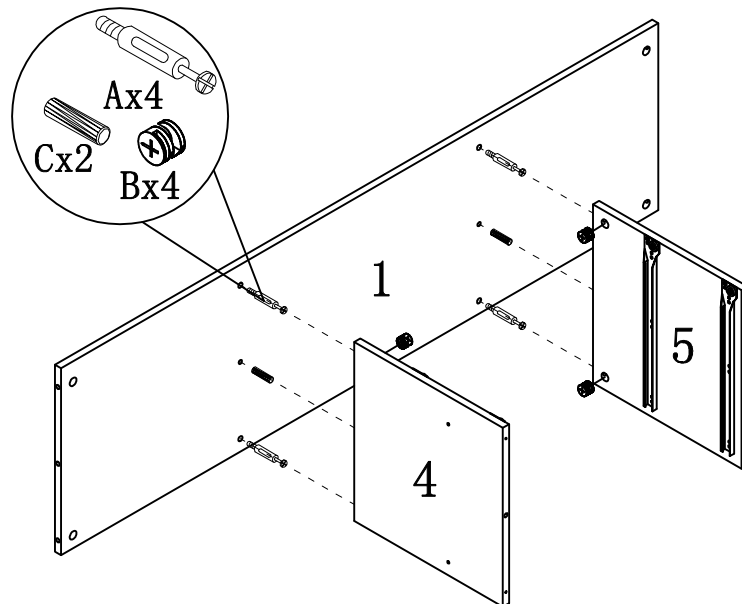
(1)	1pc/pce	(9)	1pc/pce	(17)	2pcs/pces
(2)	1pc/pce	(10)	1pc/pce	(18)	2pcs/pces
(3)	1pc/pce	(11)	1pc/pce	(19)	2pcs/pces
(4)	1pc/pce	(12)	1pc/pce	(20)	2pcs/pces
(5)	1pc/pce	(13)	1pc/pce	(21)	2pcs/pces
(6)	1pc/pce	(14)	1pc/pce	(22)	2pcs/pces
(7)	2pcs/pces	(15)	2pcs/pces	(23)	1pc/pce
(8)	1pc/pce	(16)	1pc/pce		

# HARDWARE IDENTIFICATIONS/ IDENTIFICATION DU KIT D'ASSEMBLAGE

ITEM NO/NO ARTICLE: ALE84TV/192470-84

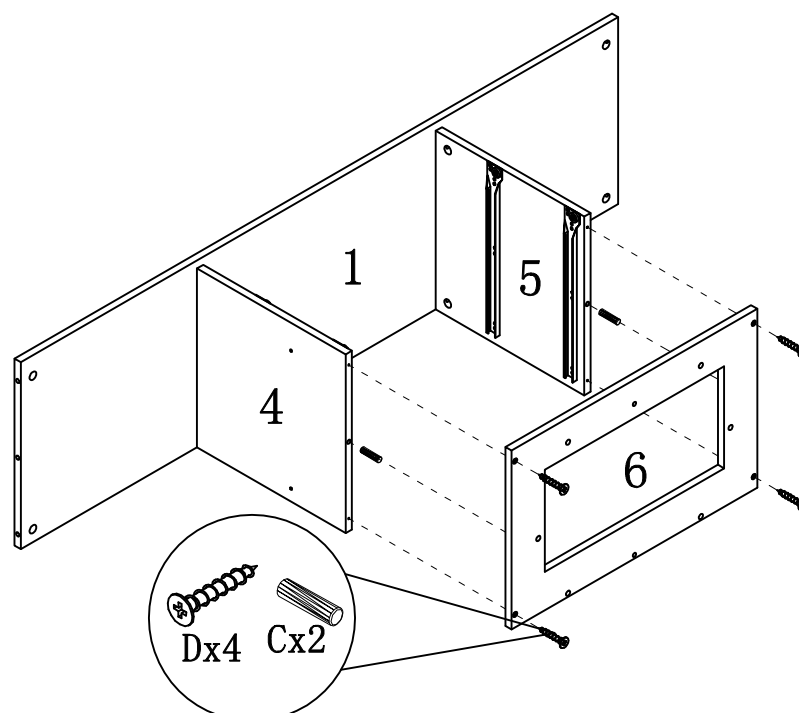
A		L29	24pcs/pcs
B		Ø15	24pcs/pcs
C		Ø8x25	20pcs/pcs
D		Ø4x35	4pcs/pcs
E		Ø7x58	4pcs/pcs
F		Ø8xØ16x2	4pcs/pcs
G		Ø4x50	17pcs/pcs
H		Ø16	6pcs/pcs
I			20pcs/pcs
J		Ø4x30	16pcs/pcs
K		L20	8pcs/pcs
L		Ø12	8pcs/pcs
M		Ø6x30	4pcs/pcs
N			8pcs/pcs
O		197x5x1	2pcs/pcs
P		Ø8x40	2pcs/pcs
Q		12x12x1	4pcs/pcs
R		Ø5x40	2pcs/pcs
S		Ø4x25	2pcs/pcs
T		<p>Glue: For securing please apply to wood dowel first before inserting into panel. Colle: Appliquez de la colle sur les goujons en bois avant de les insérer dans le panneau.</p>	1pc/pce

ITEM NO/NO ARTICLE: ALE84TV/192470-84

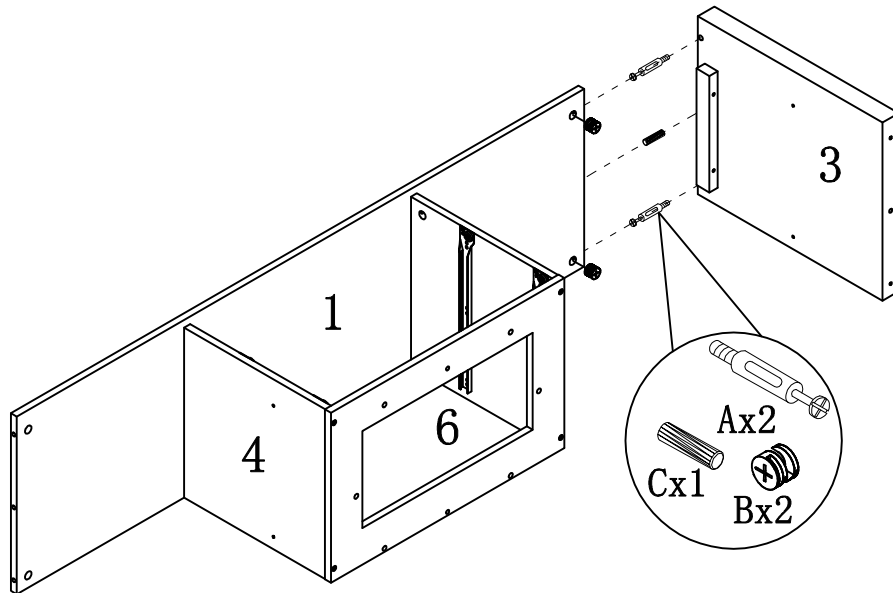


STEP 1 / ETAPE 1

STEP 2 / ETAPE 2

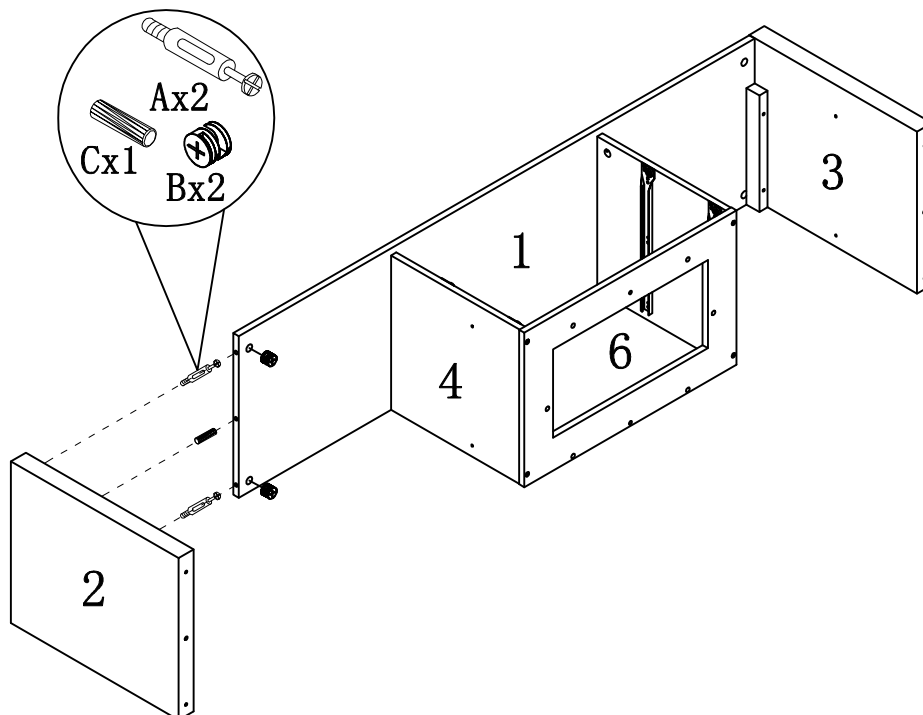


ITEM NO/NO ARTICLE:ALE84TV/192470-84

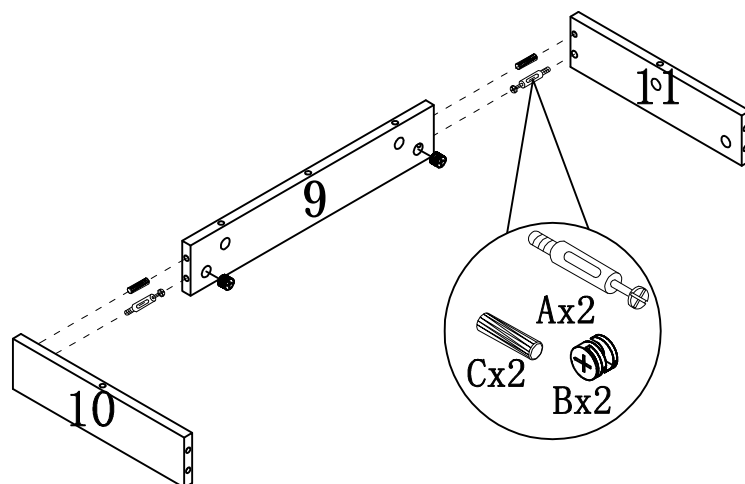


STEP 3 / ETAPE 3

STEP 4 / ETAPE 4

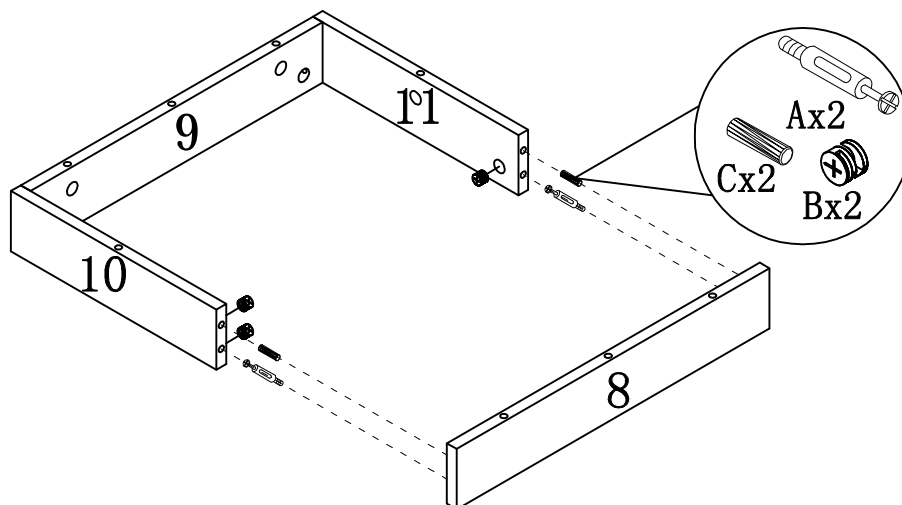


# ITEM NO/NO ARTICLE: ALE84TV/192470-84

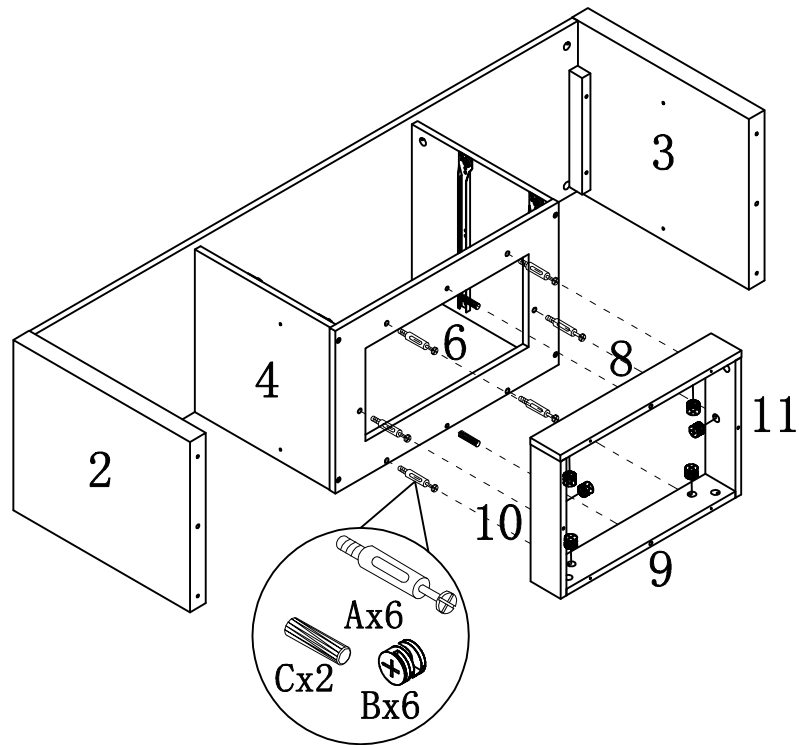


STEP 5 / ETAPE 5

STEP 6 / ETAPE 6

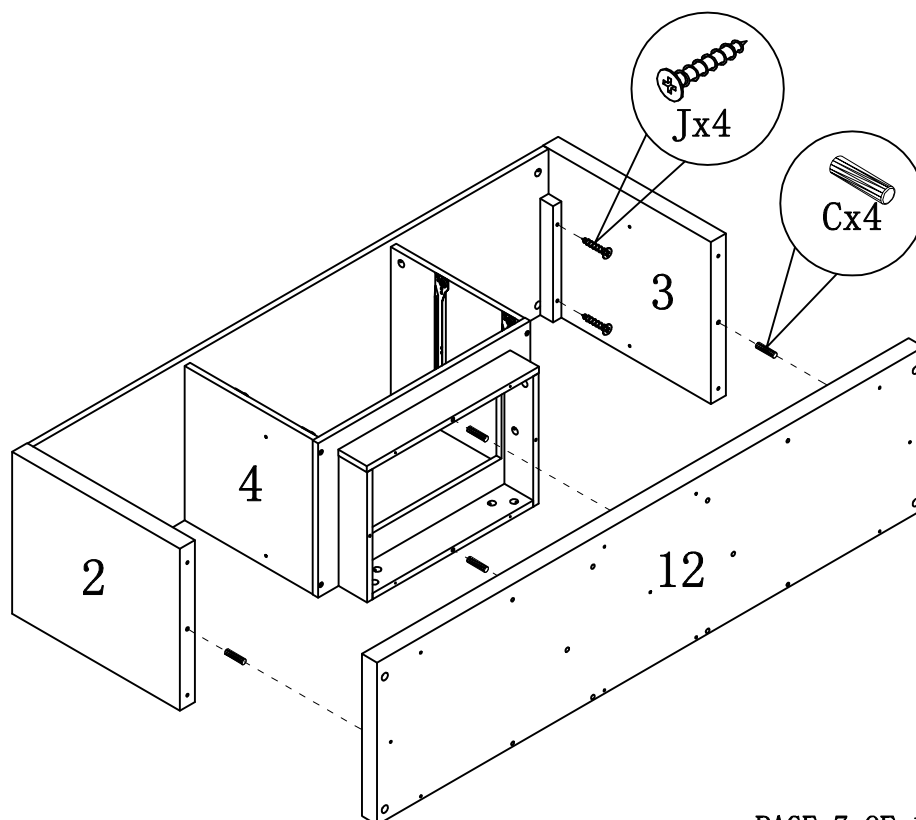


ITEM NO/NO ARTICLE: ALE84TV/192470-84

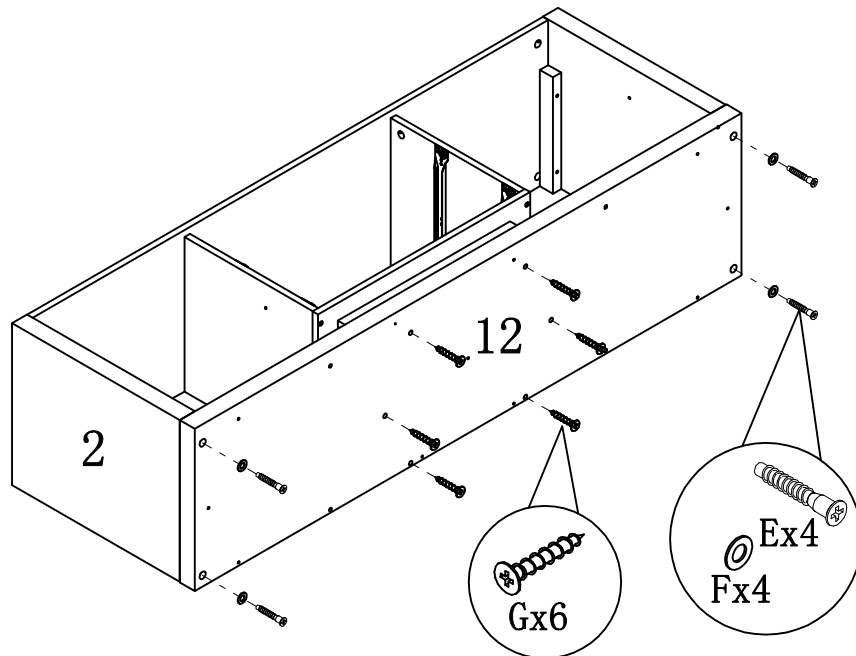


STEP 7 / ETAPE 7

STEP 8 / ETAPE 8

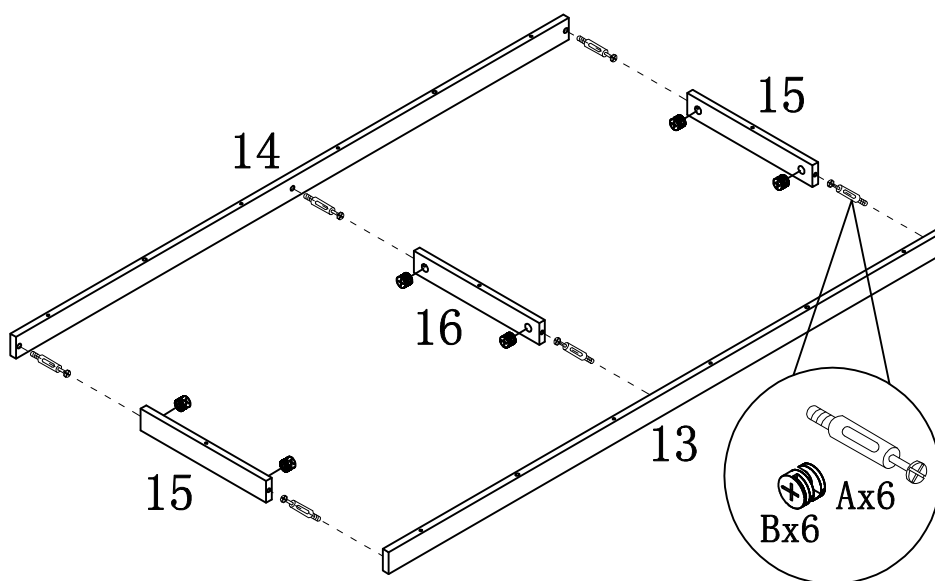


ITEM NO/NO ARTICLE:ALE84TV/192470-84



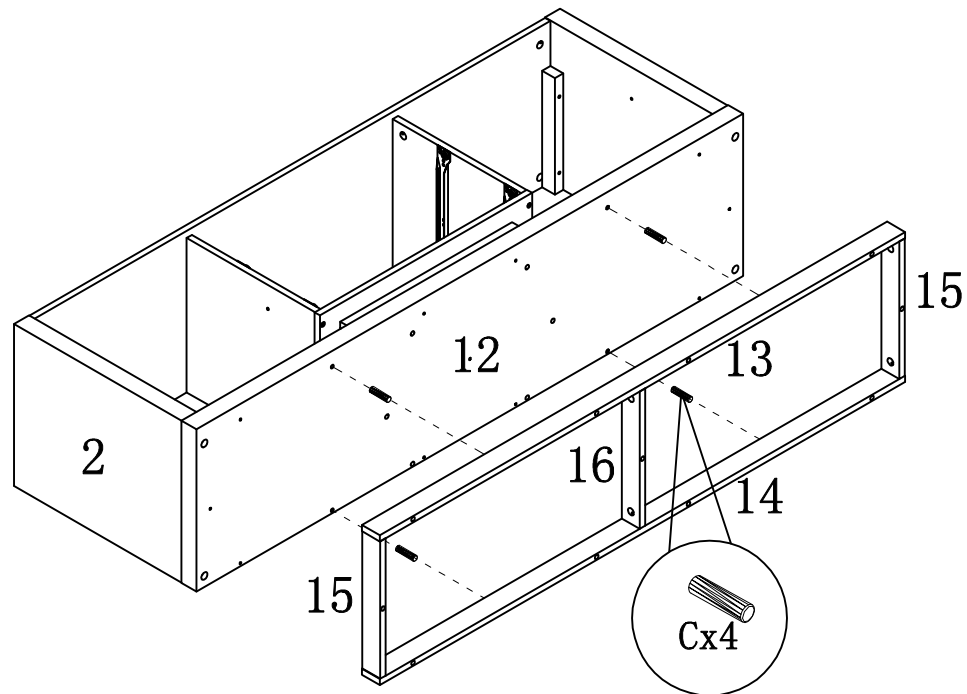
STEP 9 / ETAPE 9

STEP 10 / ETAPE 10



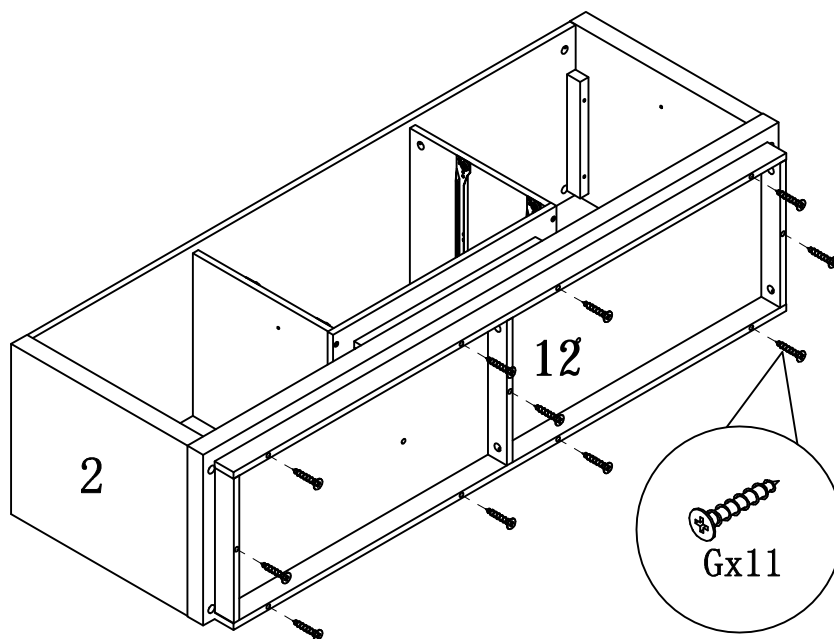


ITEM NO/NO ARTICLE:ALE84TV/192470-84

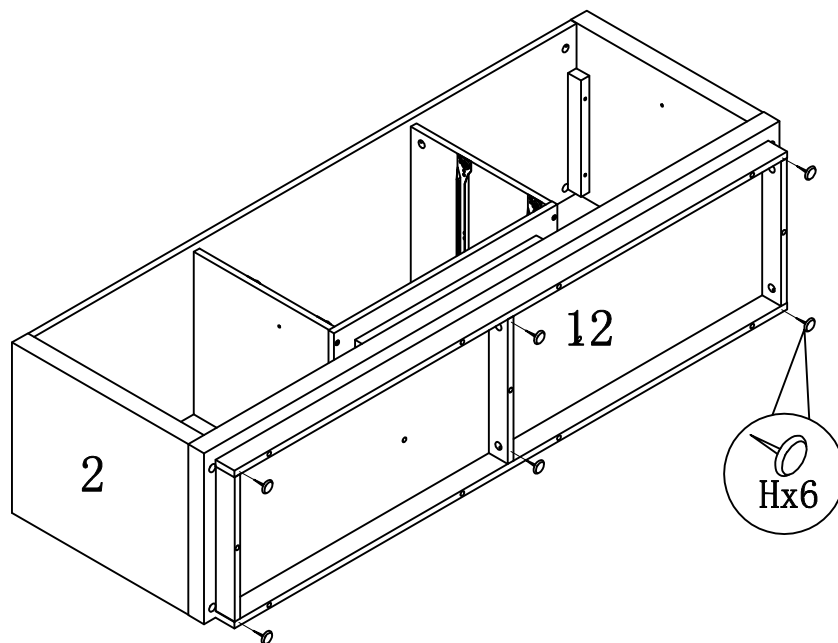


STEP 11 / ETAPE 11

STEP 12 / ETAPE 12

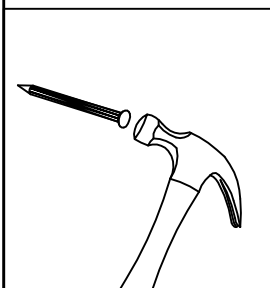
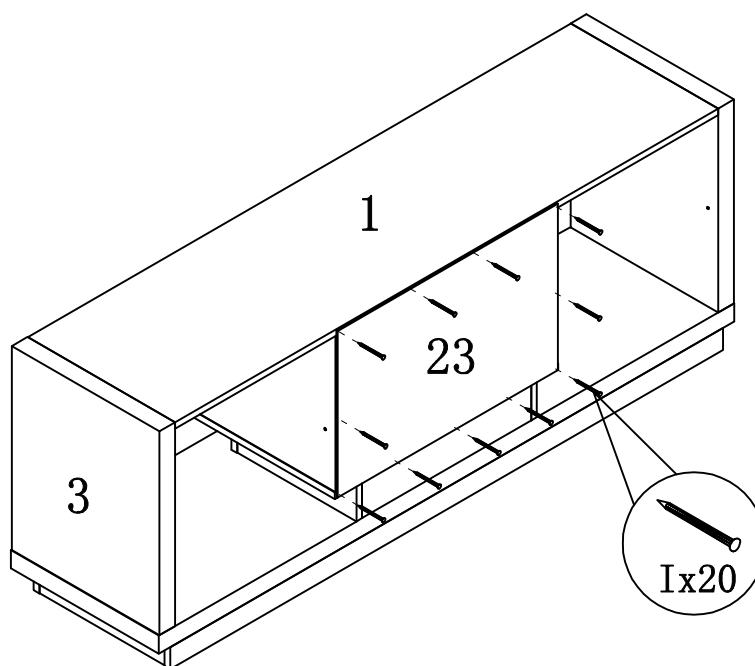


ITEM NO/NO ARTICLE:ALE84TV/192470-84

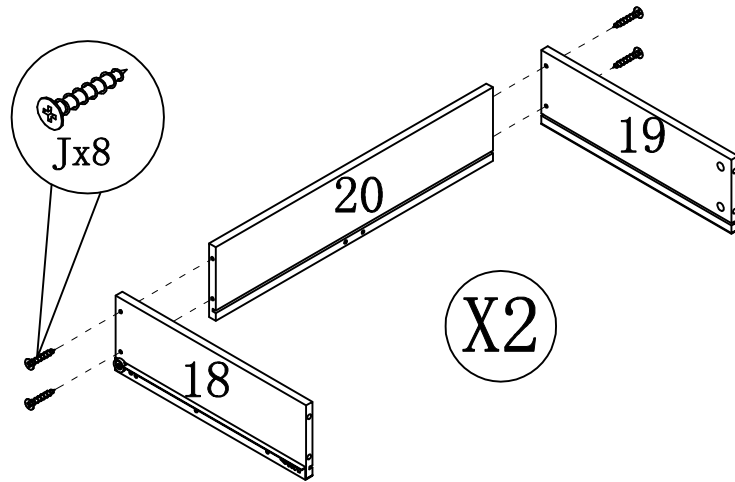


STEP 13 / ETAPE 13

STEP 14 / ETAPE 14

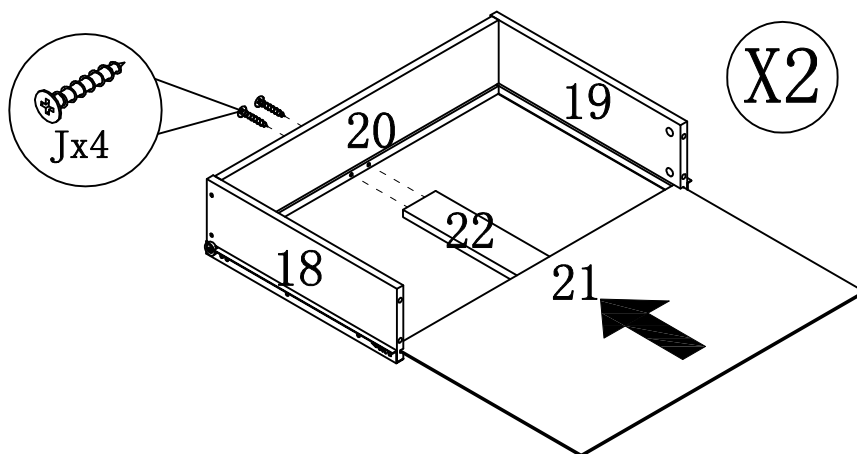


ITEM NO/NO ARTICLE:ALE84TV/192470-84

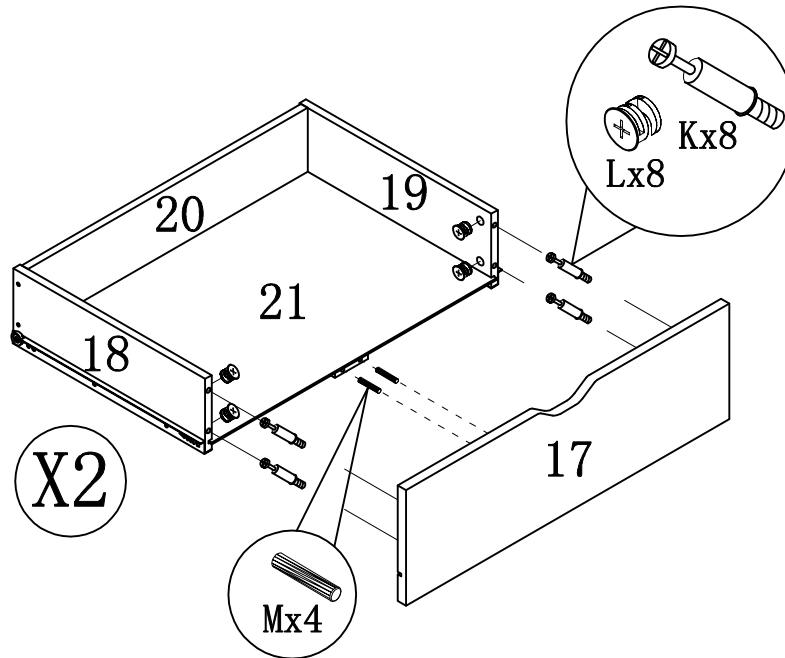


STEP 15 / ETAPE 15

STEP 16 / ETAPE 16

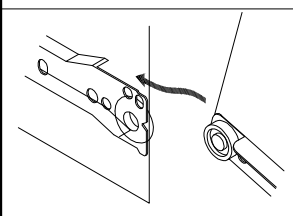
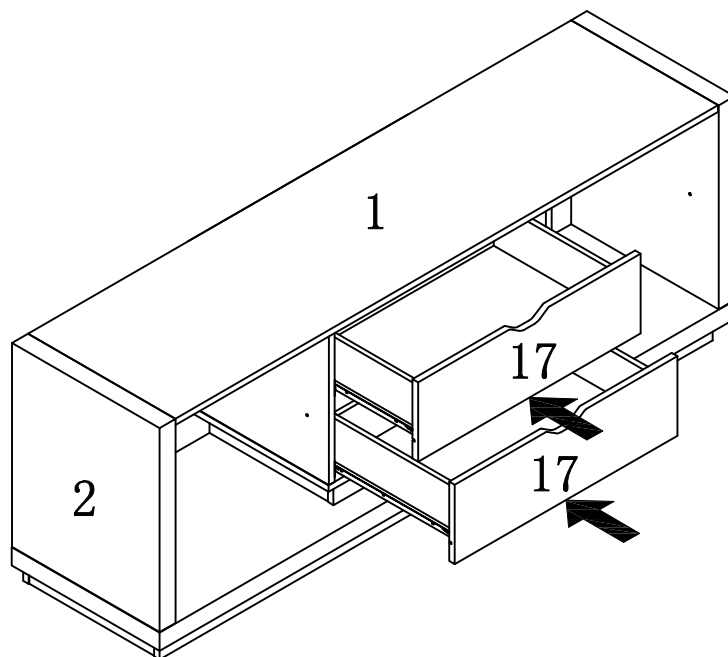


ITEM NO/NO ARTICLE: ALE84TV/192470-84

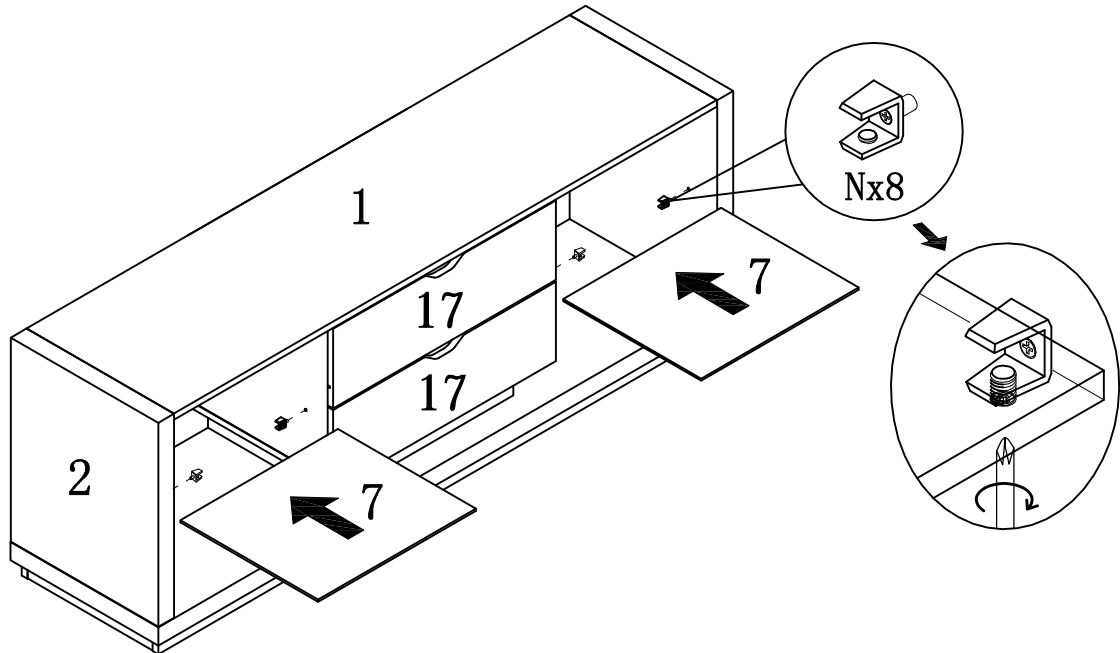


STEP 17 / ETAPE 17

STEP 18 / ETAPE 18



ITEM NO/NO ARTICLE:ALE84TV/192470-84



STEP 19 / ETAPE 19

STEP 20 / ETAPE 20

