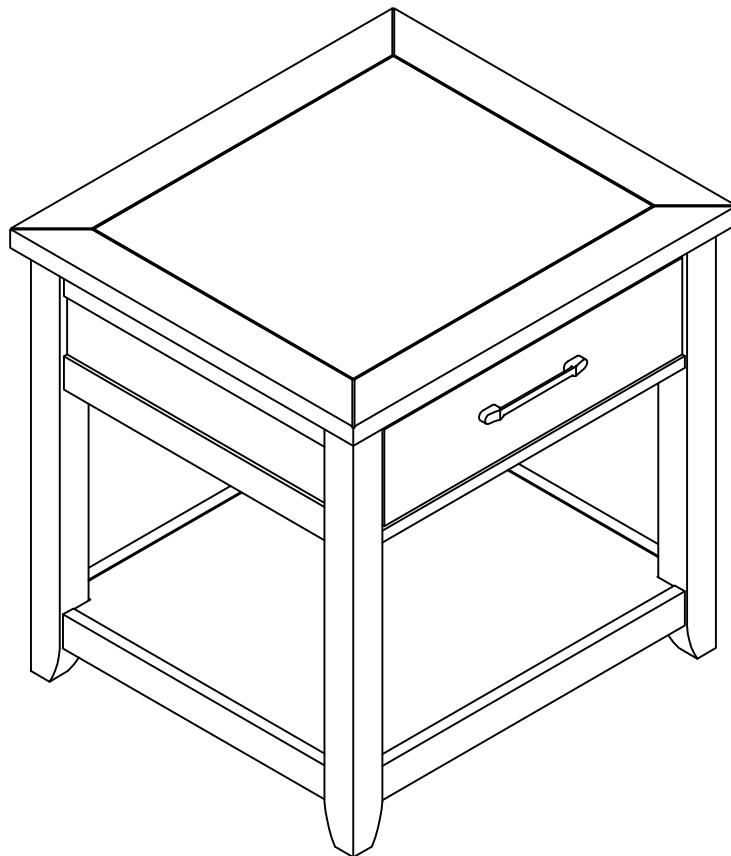


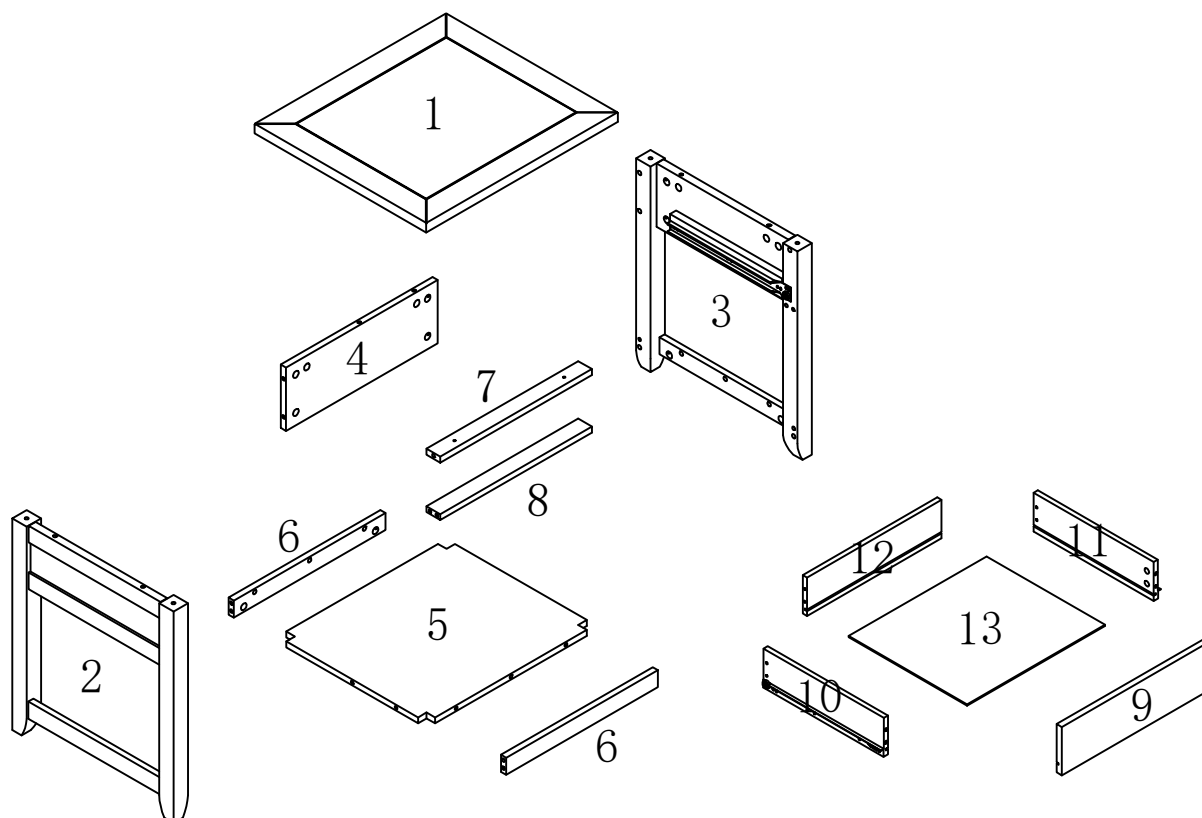
ASSEMBLY INSTRUCTIONS /
INSTRUCTIONS D'ASSEMBLAGE

ITEM NO/NO ARTICLE:ALVINBPR/233163ET



PARTS IDENTIFICATIONS /
IDENTIFICATION DES PIECES

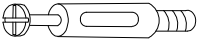



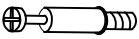

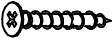

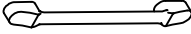
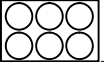
ITEM NO/NO ARTICLE:ALVINBPR/233163ET

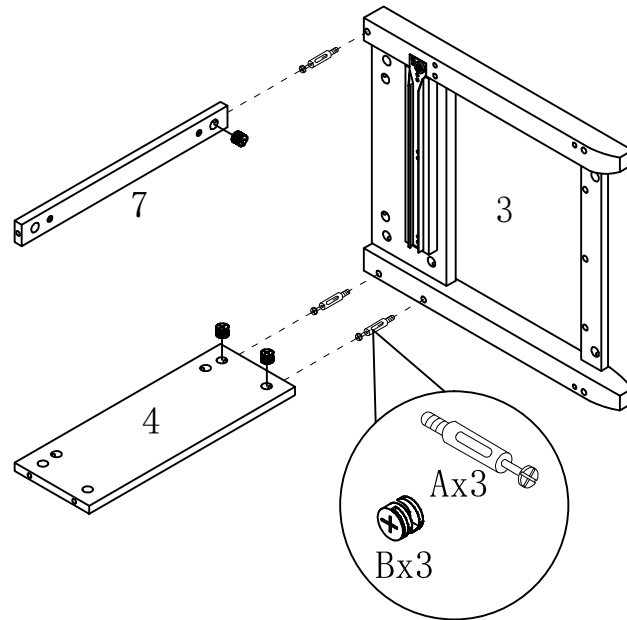


(1) 1pc/pce	(7) 1pc/pce	(13) 1pc/pce
(2) 1pc/pce	(8) 1pc/pce	
(3) 1pc/pce	(9) 1pc/pce	
(4) 1pc/pce	(10) 1pc/pce	
(5) 1pc/pce	(11) 1pc/pce	
(6) 2pcs/pces	(12) 1pc/pce	

HARDWARE IDENTIFICATIONS/
IDENTIFICATION DU KIT D'ASSEMBLAGE

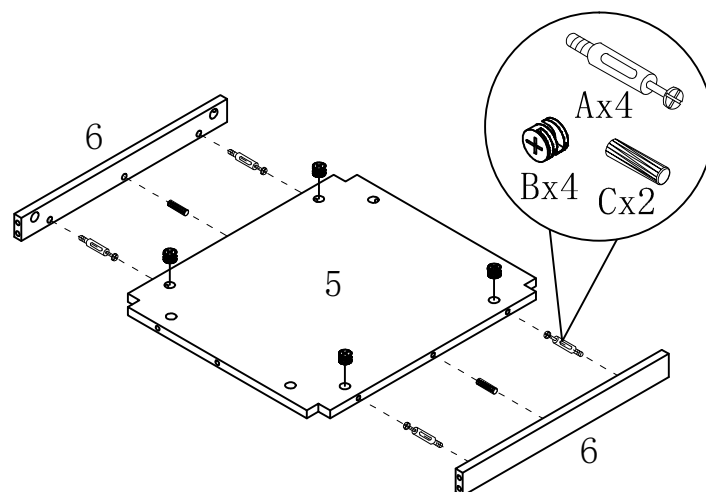
ITEM NO/NO ARTICLE:ALVINBPR/233163ET

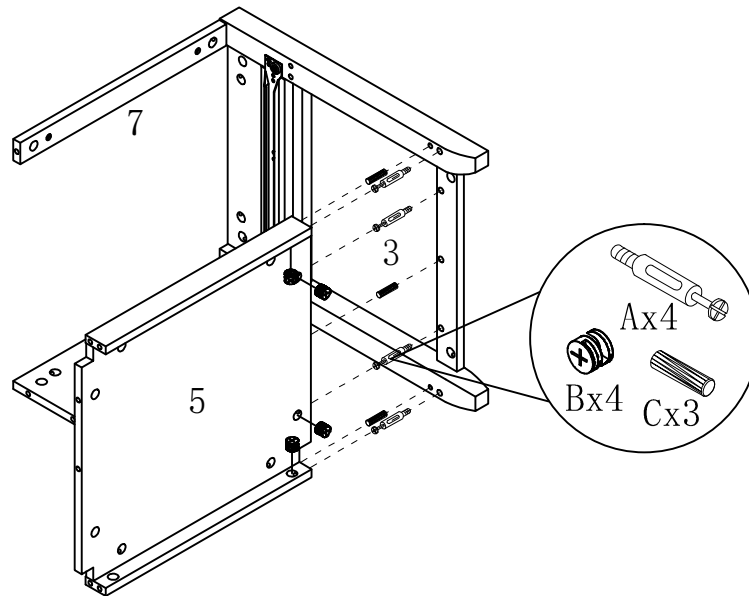
A		L29	24pcs/pcs
B		Ø15	24pcs/pcs
C		Ø8x25	17pcs/pcs
D		Ø4x16	2pcs/pcs
E		L20	4pcs/pcs
F		Ø12	4pcs/pcs
G		Ø4x30	6pcs/pcs
H		Ø16	4pcs/pcs
I		128#	1pc/pce
J		Ø22	6pcs/pcs



STEP1/ ETAPE 1

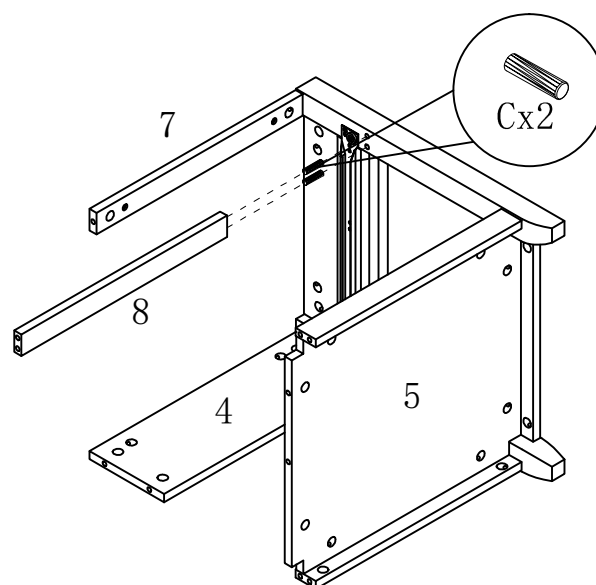
STEP2/ ETAPE 2

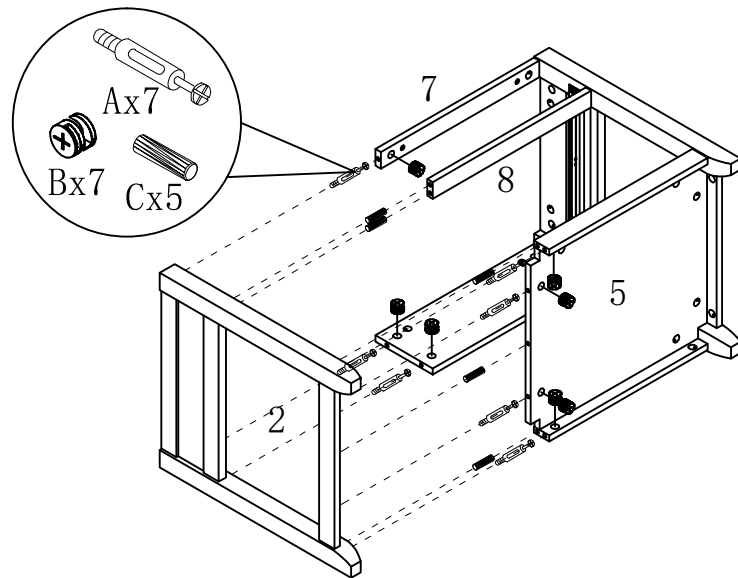




STEP3/ ETAPE 3

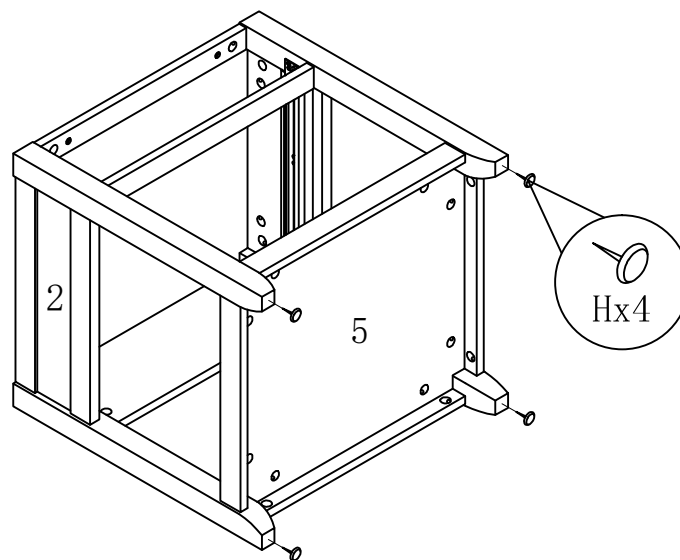
STEP4/ ETAPE 4

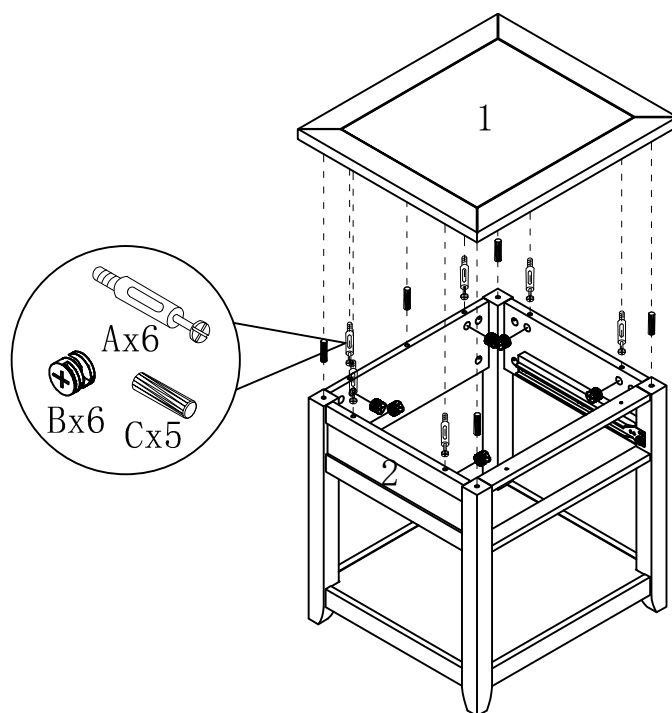




STEP5/ ETAPE 5

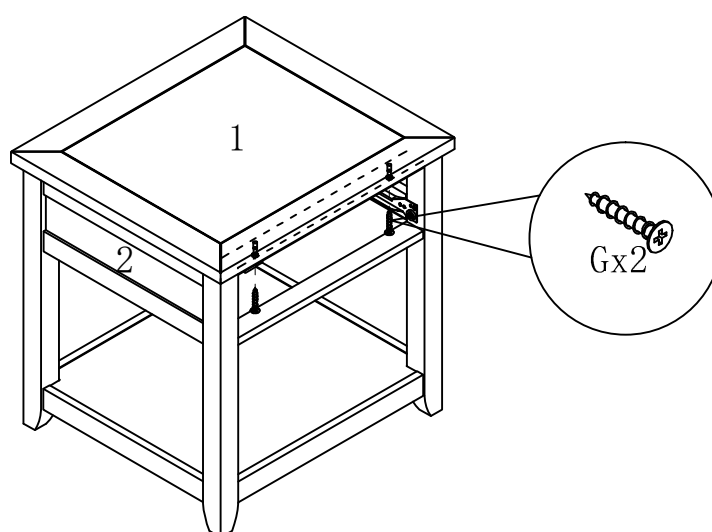
STEP6/ ETAPE 6

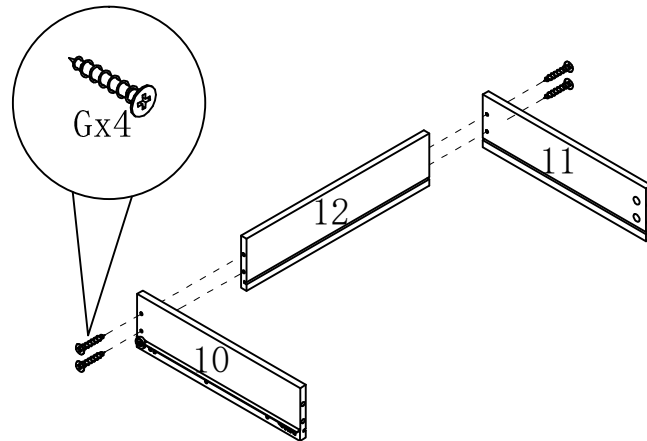




STEP7/ ETAPE 7

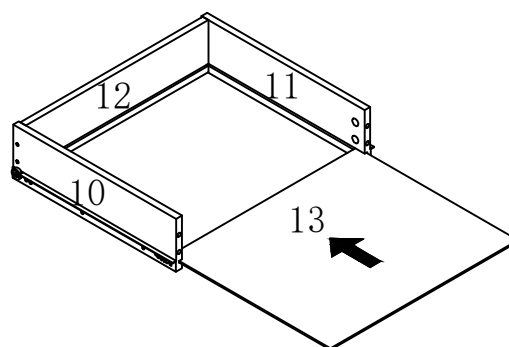
STEP8/ ETAPE 8

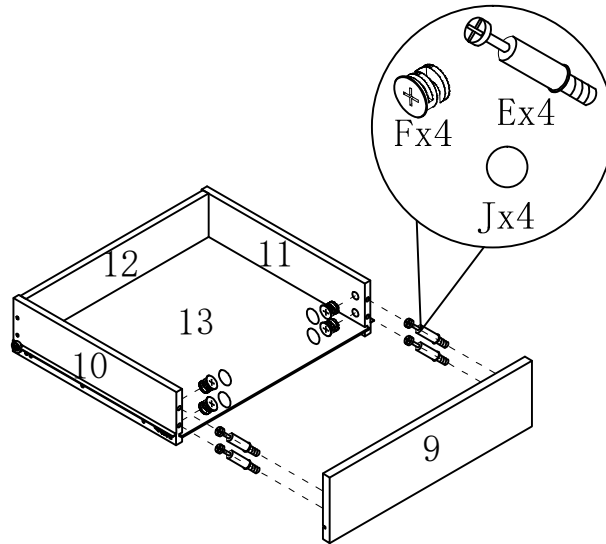




STEP9/ ETAPE 9

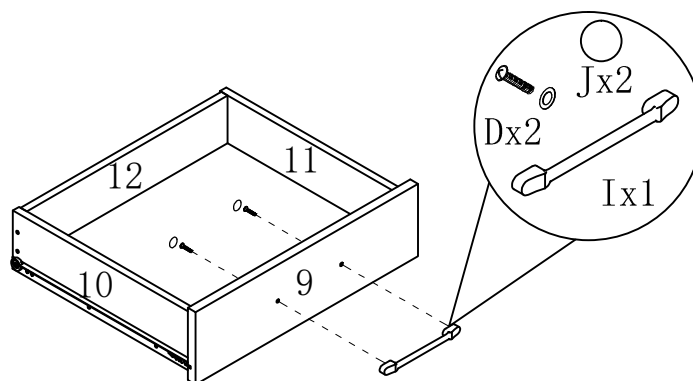
STEP10/ ETAPE 10

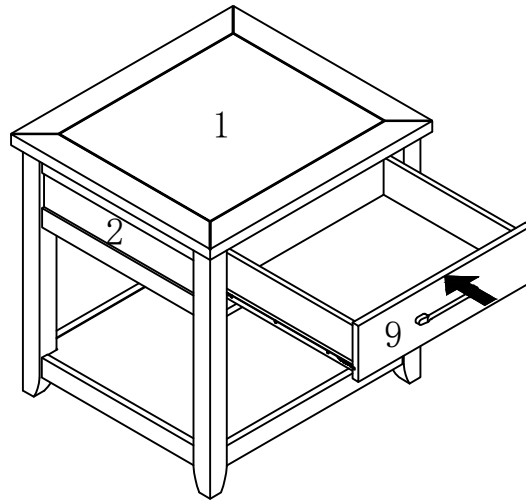




STEP11/ ETAPE 11

STEP12/ ETAPE 12





STEP13/ ETAPE 13

STEP14/ ETAPE 14

