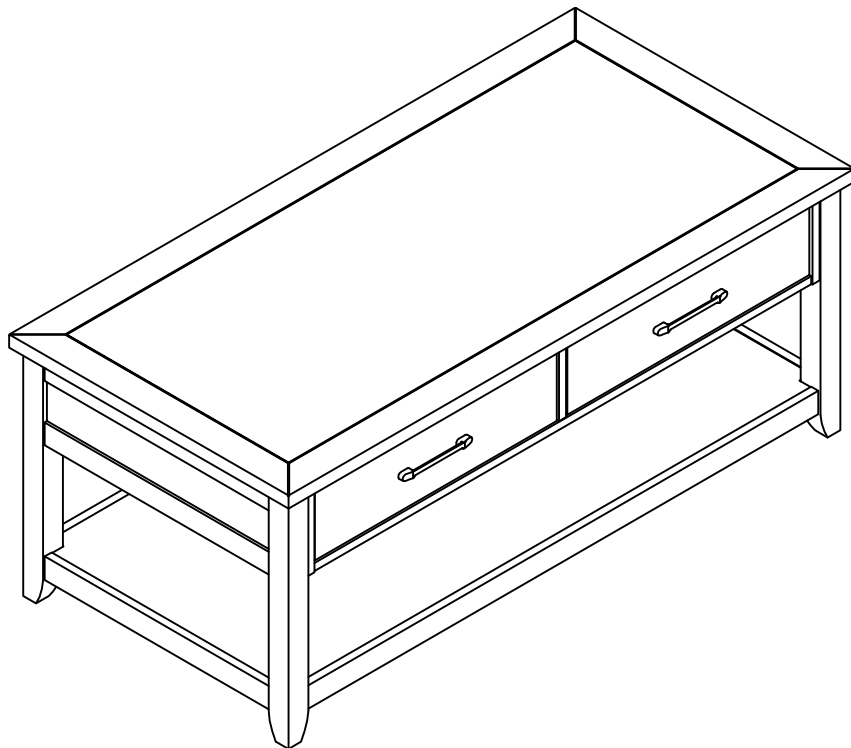


ASSEMBLY INSTRUCTIONS /  
INSTRUCTIONS D'ASSEMBLAGE

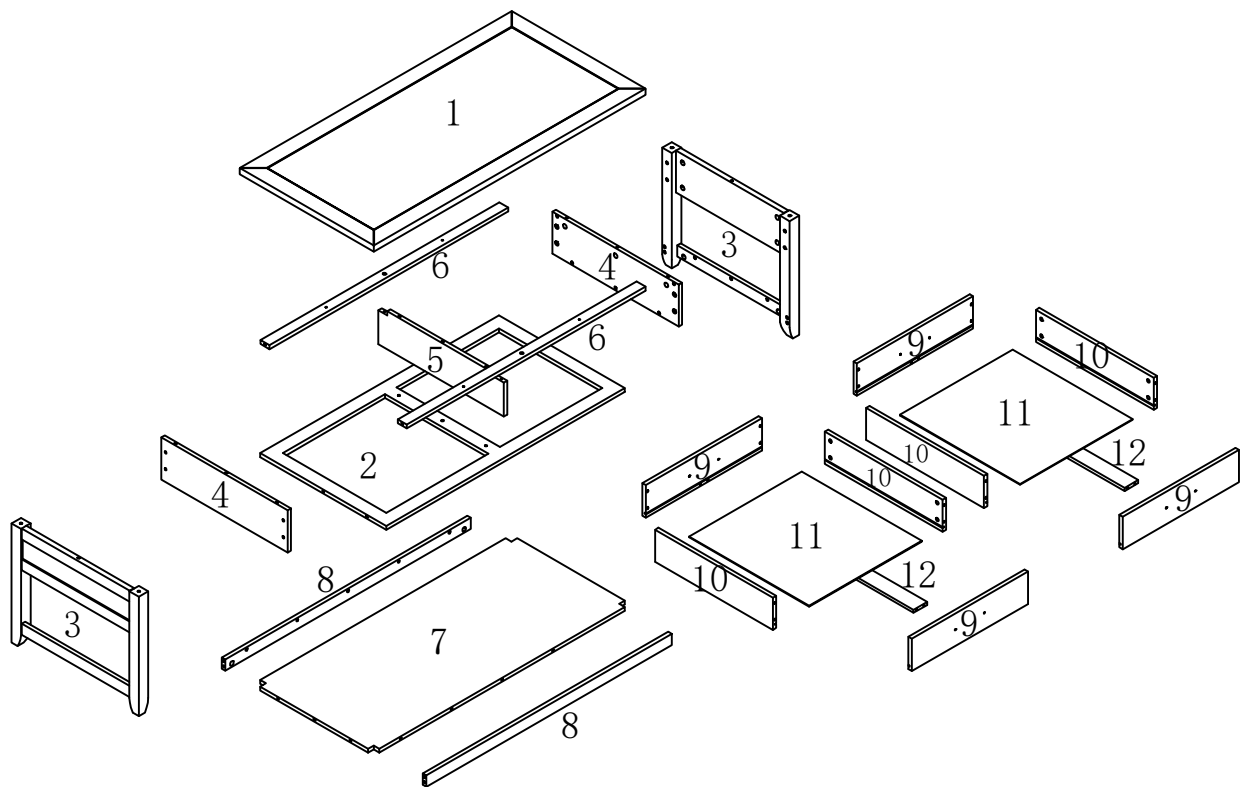
---

ITEM NO/NO ARTICLE:ALVINBPR/233163CT



PARTS IDENTIFICATIONS /  
IDENTIFICATION DES PIECES

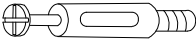


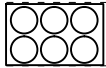

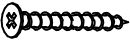
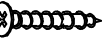

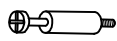


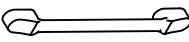


ITEM NO/NO ARTICLE:ALVINBPR/233163CT

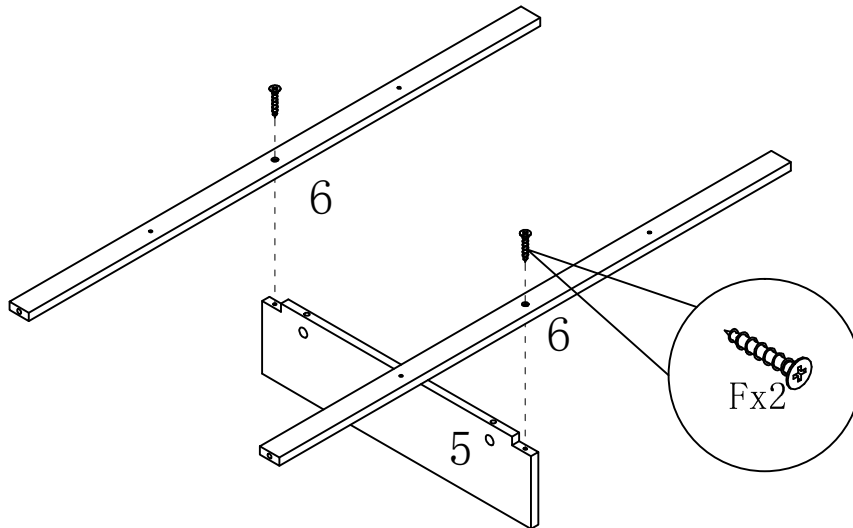


(1) 1pc/pce	(7) 1pc/pce
(2) 1pc/pce	(8) 2pcs/pces
(3) 2pcs/pces	(9) 4pcs/pces
(4) 2pcs/pces	(10) 4pcs/pces
(5) 1pc/pce	(11) 2pcs/pces
(6) 2pcs/pces	(12) 2pcs/pces

HARDWARE IDENTIFICATIONS/  
IDENTIFICATION DU KIT D'ASSEMBLAGE

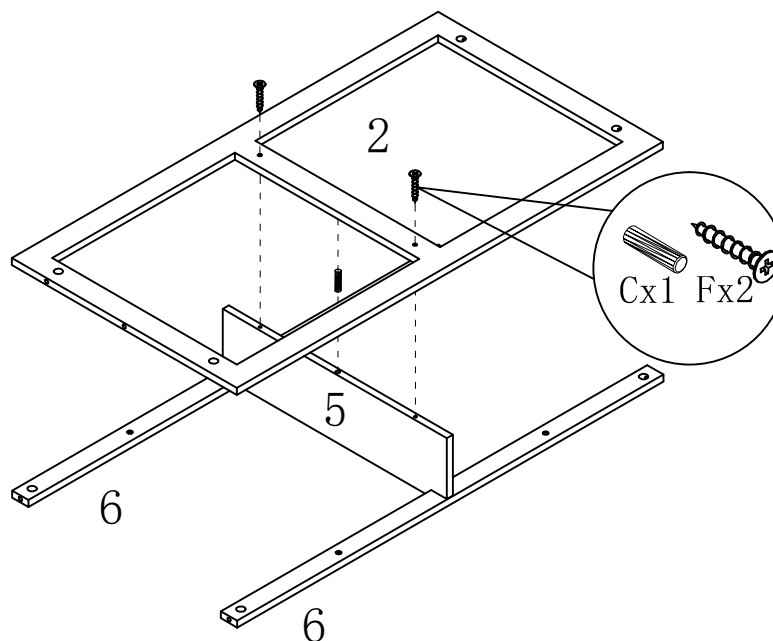
ITEM NO/NO ARTICLE:ALVINBPR/233163CT

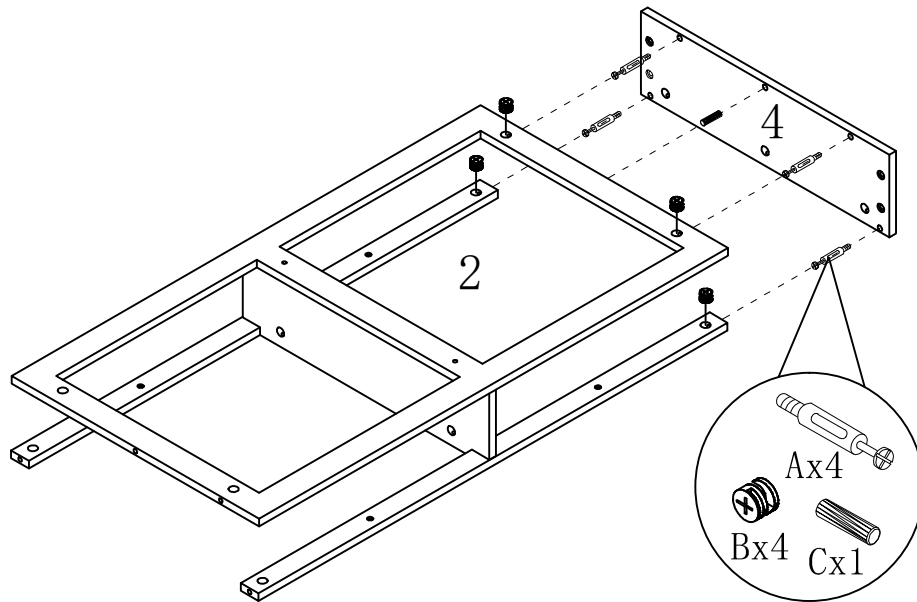
A		L29	30pcs/pces
B		Ø15	30pcs/pces
C		Ø8x25	20pcs/pces
D		Ø22	32pcs/pces
E		Ø6x20	8pcs/pces
F		Ø4x40	4pcs/pces
G		Ø4x30	4pcs/pces
H		Ø16	4pcs/pces
I		L24	16pcs/pces
J		Ø12	16pcs/pces
K		Ø6x30	8pcs/pces
L		128#	4pcs/pces
M		Ø4x16	8pcs/pces
N		Ø8x40	2pcs/pces



STEP1/ ETAPE 1

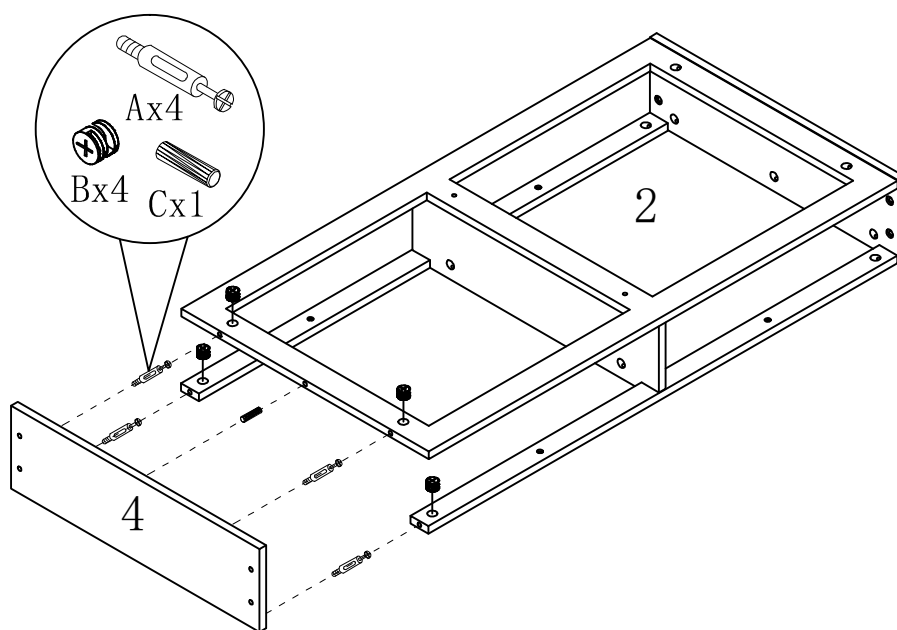
STEP2/ ETAPE 2

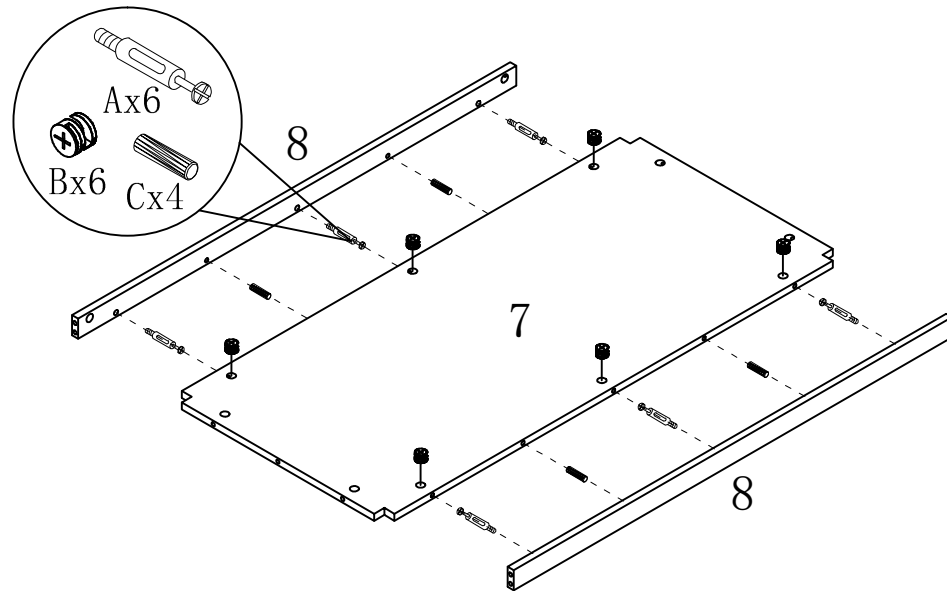




STEP3/ ETAPE 3

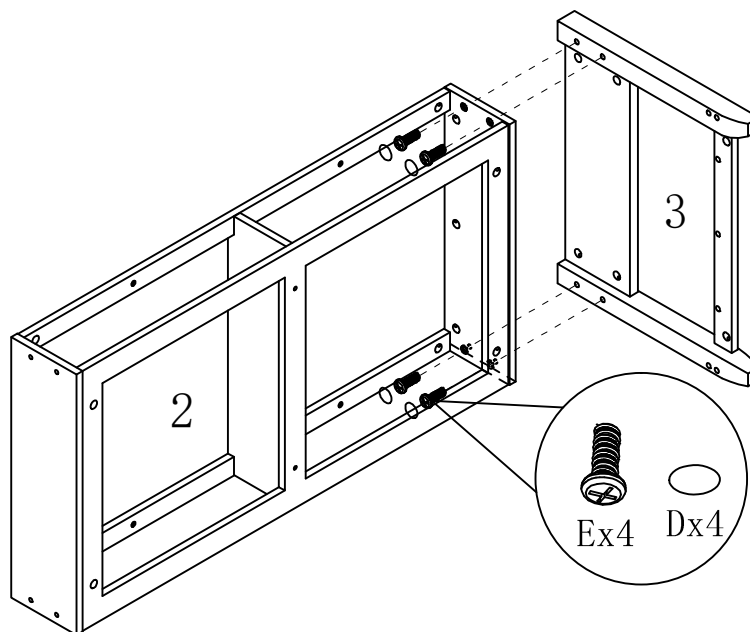
STEP4/ ETAPE 4

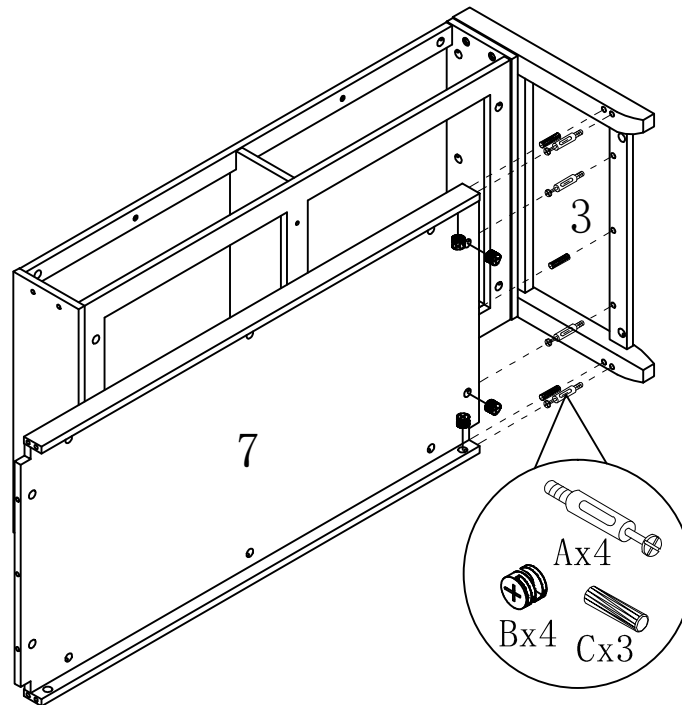




STEP5/ ETAPE 5

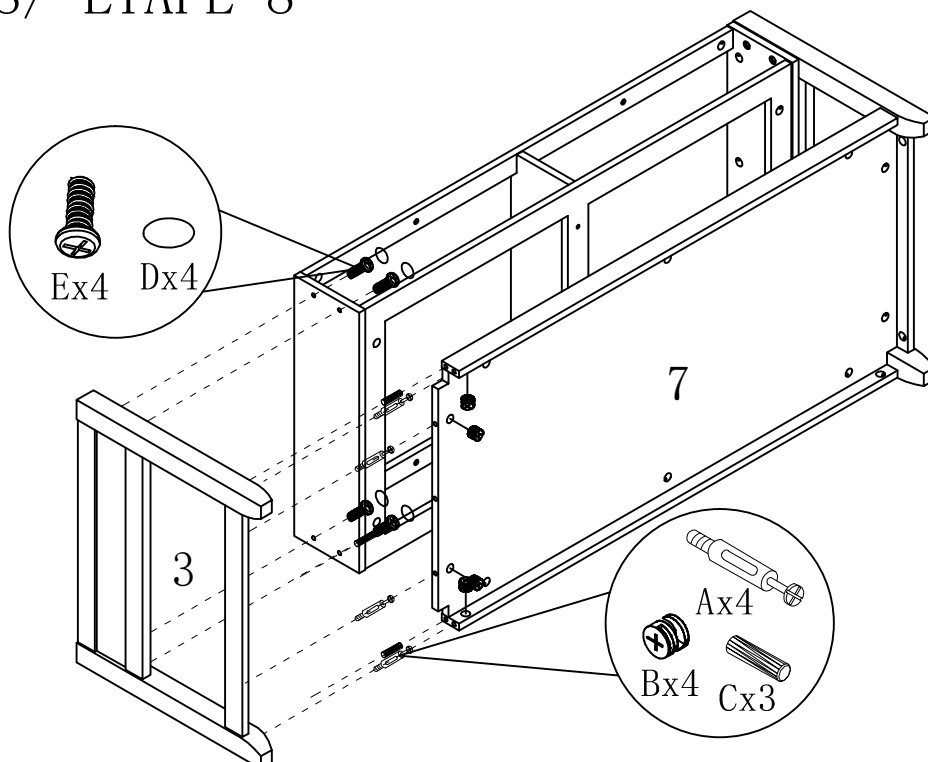
STEP6/ ETAPE 6

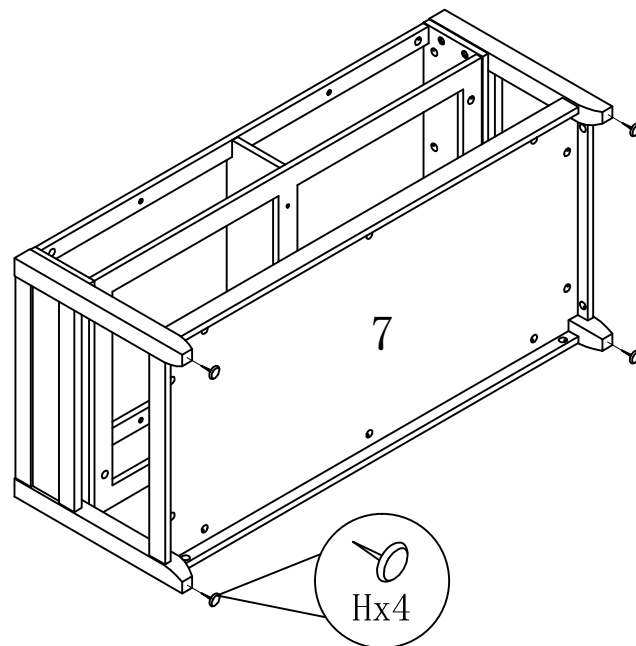




STEP7/ ETAPE 7

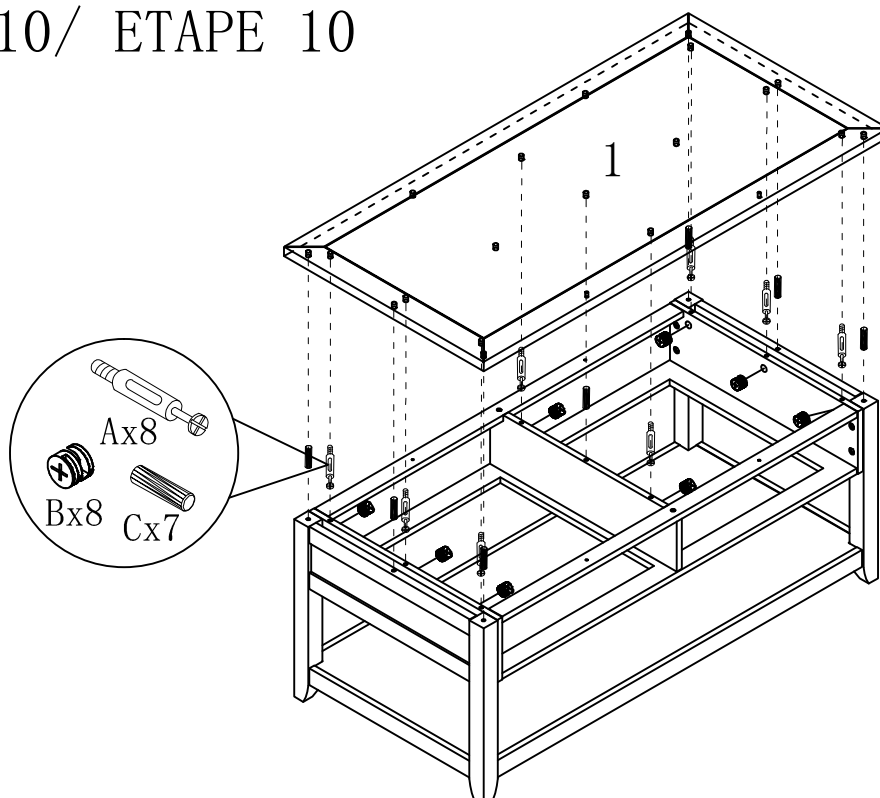
STEP8/ ETAPE 8



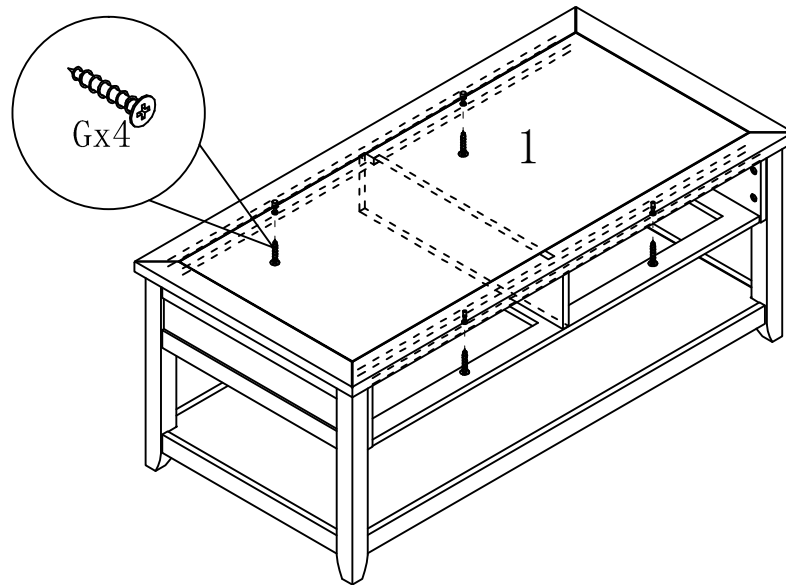


STEP9/ ETAPE 9

STEP10/ ETAPE 10

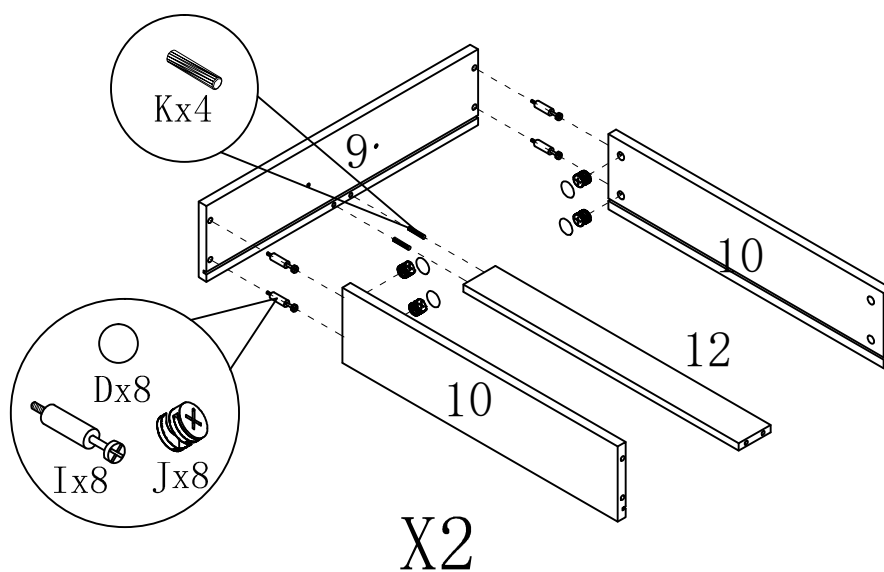




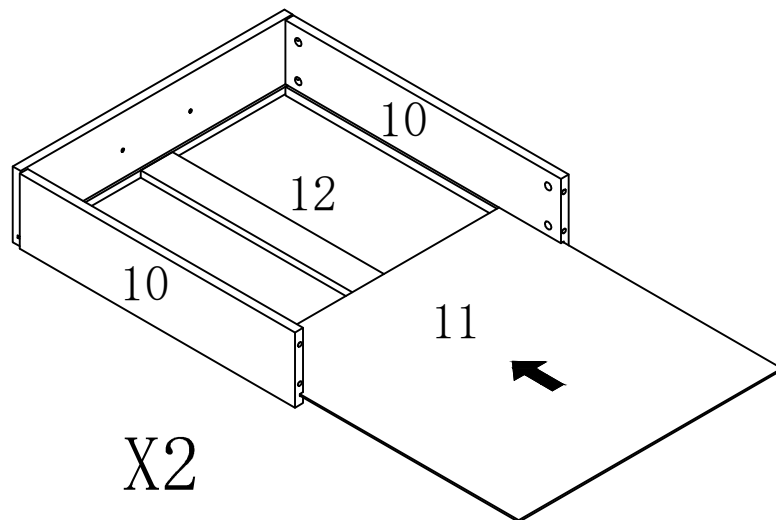


STEP11/ ETAPE 11

STEP12/ ETAPE 12

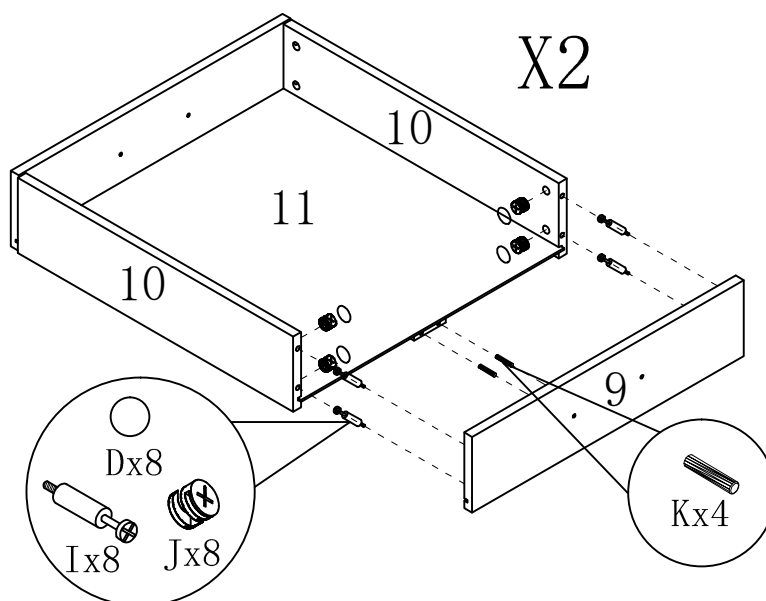


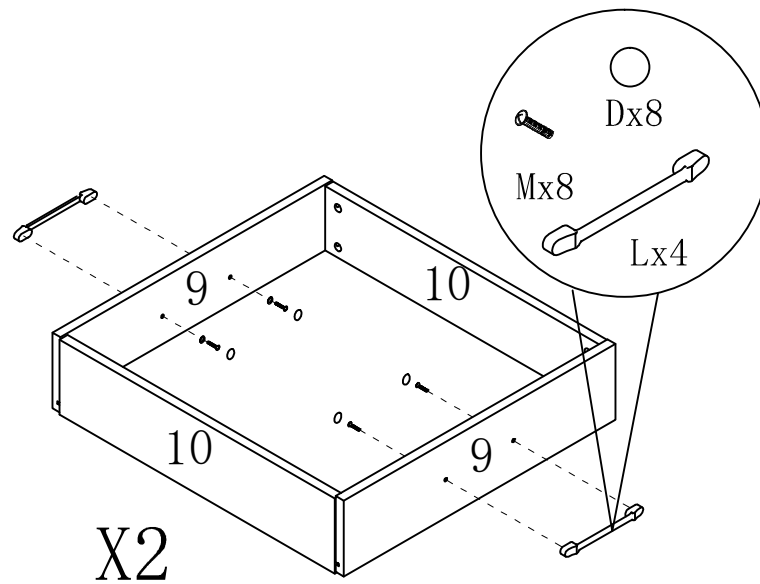
X2



STEP13/ ETAPE 13

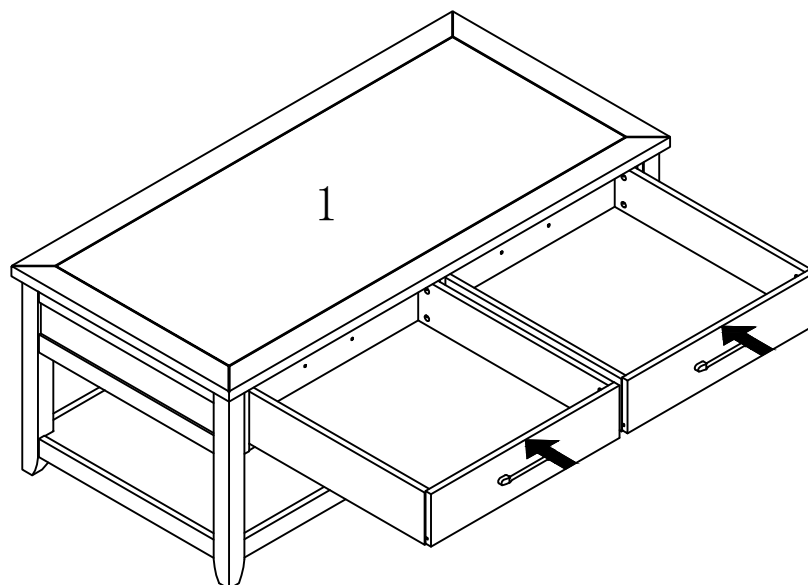
STEP14/ ETAPE 14

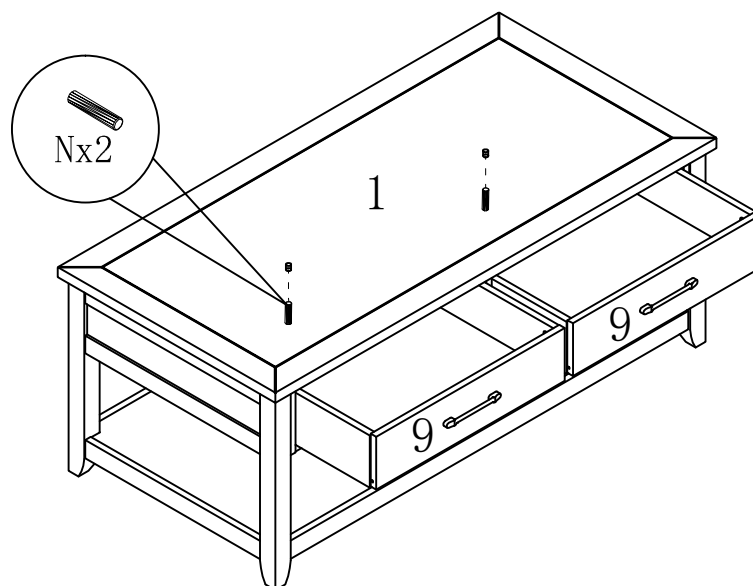




STEP15/ ETAPE 15

STEP16/ ETAPE 16





STEP17/ ETAPE 17

STEP18/ ETAPE 18

