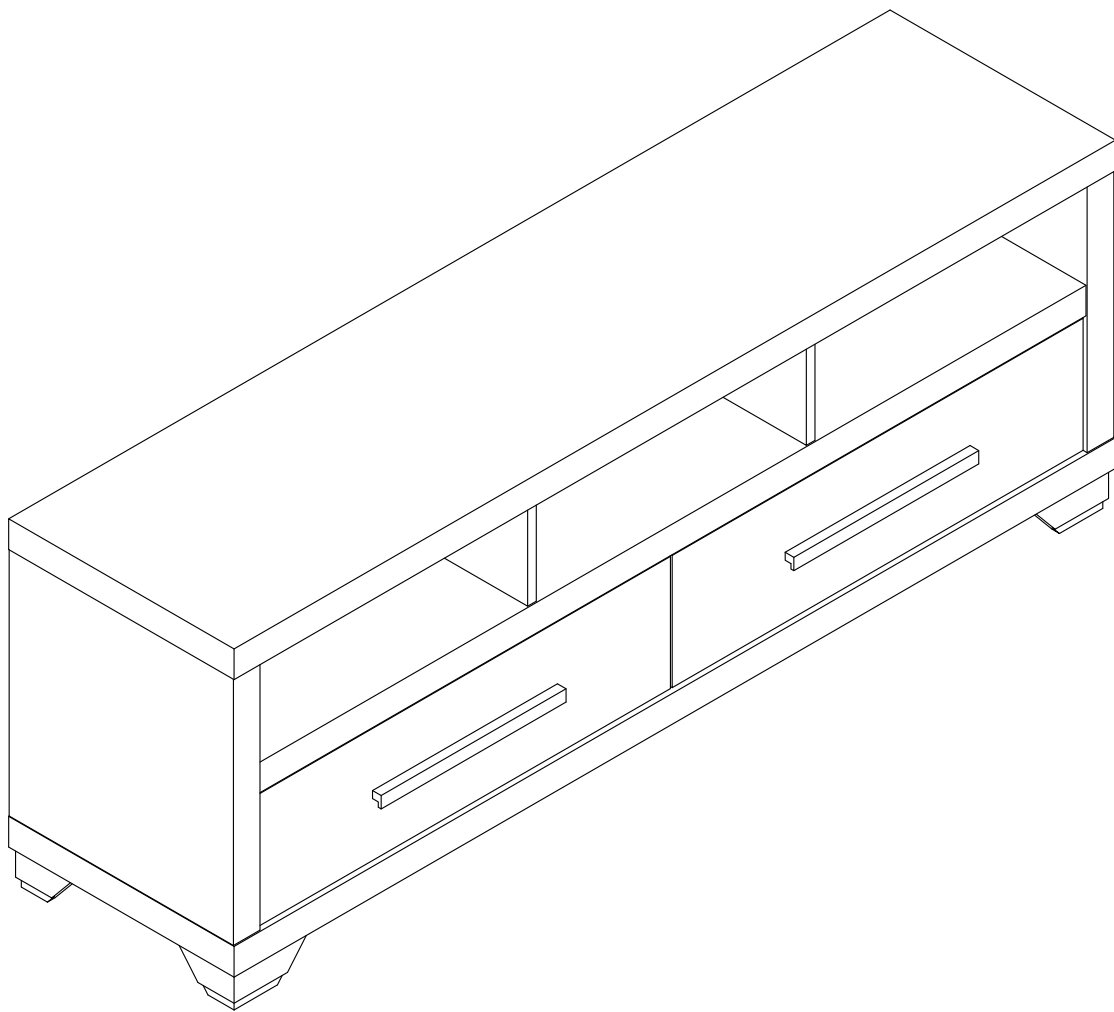


ASSEMBLY INSTRUCTIONS / INSTRUCTIONS D'ASSEMBLAGE

ITEM NO/NO ARTICLE:

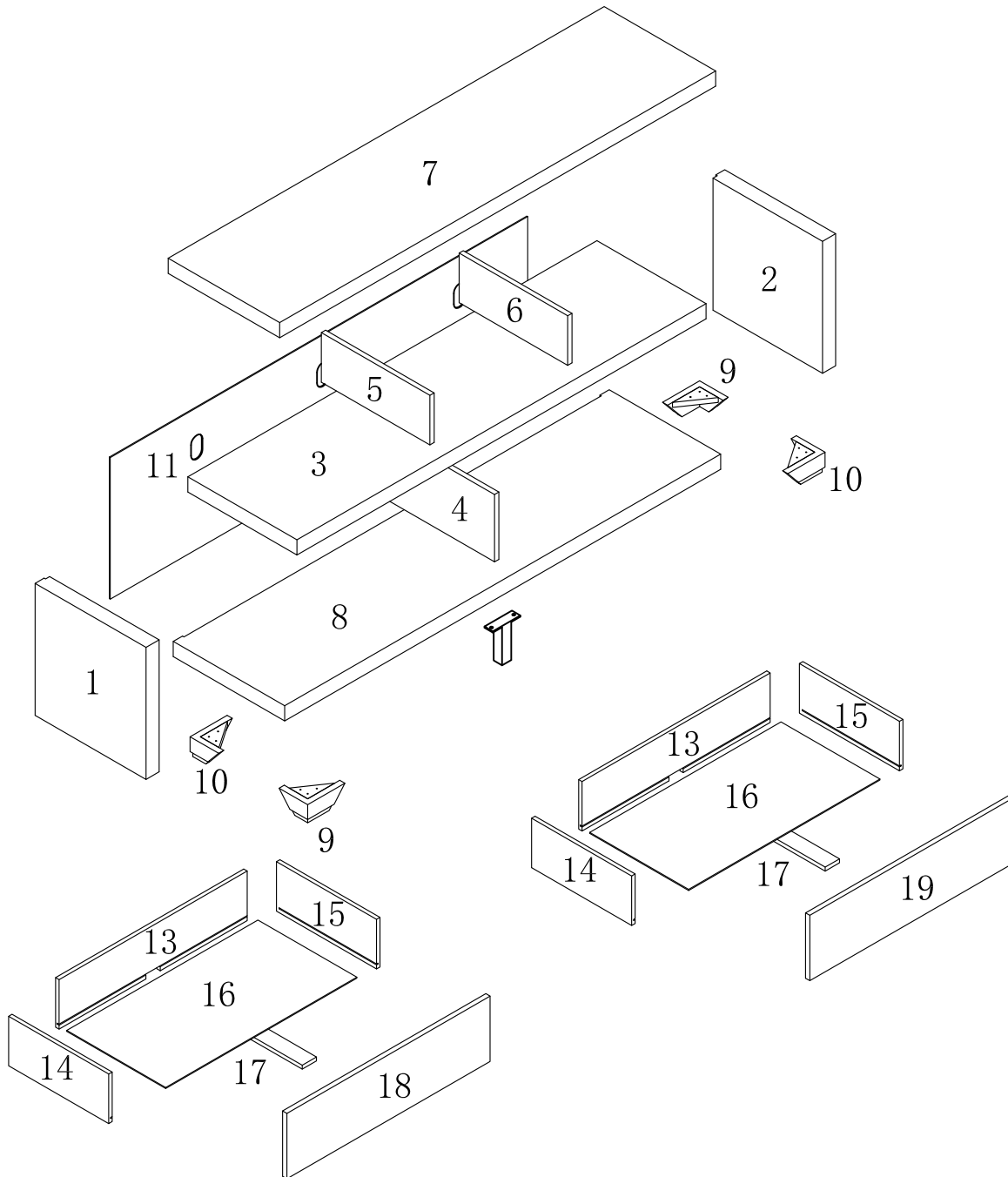
2706GRTV、 27062TV-GREY 2706WWTV



PARTS IDENTIFICATIONS / IDENTIFICATION DES PIECES

ITEM NO/NO ARTICLE:

2706GRTV、27062TV-GREY 2706WWTV

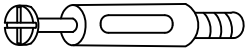

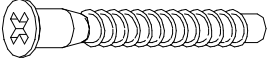
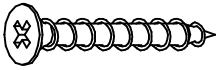


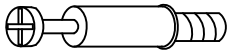

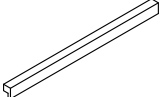

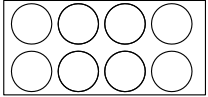
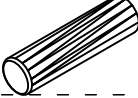
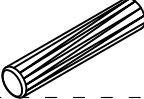
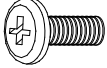
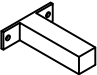



| | | | | | | | |
|-----|---------|------|-----------|------|-----------|------|---------|
| (1) | 1pc/pce | (7) | 1pc/pce | (13) | 2pcs/pces | (19) | 1pc/pce |
| (2) | 1pc/pce | (8) | 1pc/pce | (14) | 2pcs/pces | | |
| (3) | 1pc/pce | (9) | 2pcs/pces | (15) | 2pcs/pces | | |
| (4) | 1pc/pce | (10) | 2pcs/pces | (16) | 2pcs/pces | | |
| (5) | 1pc/pce | (11) | 1pc/pce | (17) | 2pcs/pces | | |
| (6) | 1pc/pce | | | (18) | 1pc/pce | | |

HARDWARE IDENTIFICATIONS/ IDENTIFICATION DU KIT D'ASSEMBLAGE

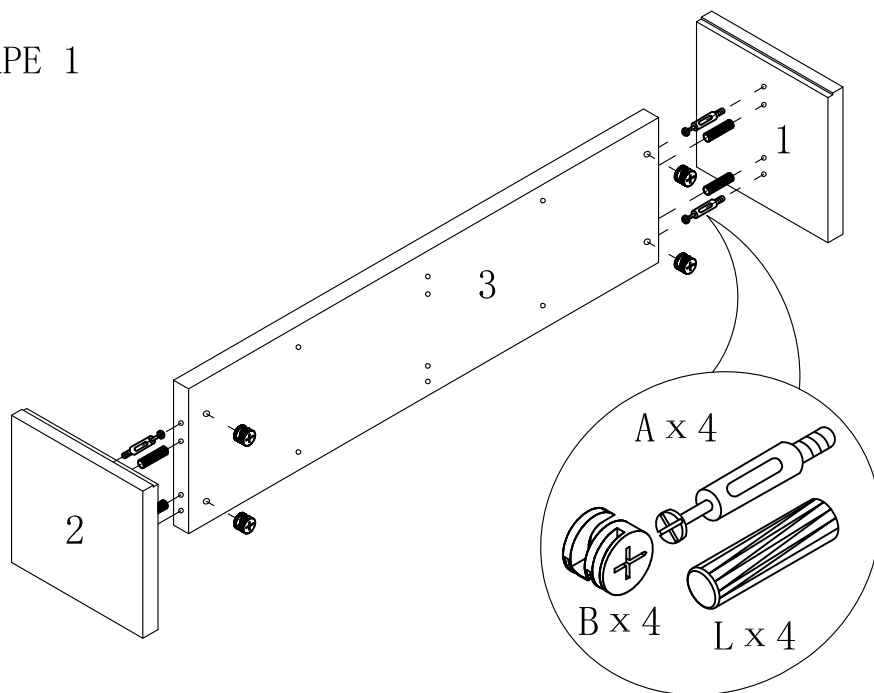
ITEM NO/NO ARTICLE:

2706GRTV、27062TV-GREY 2706WWTV

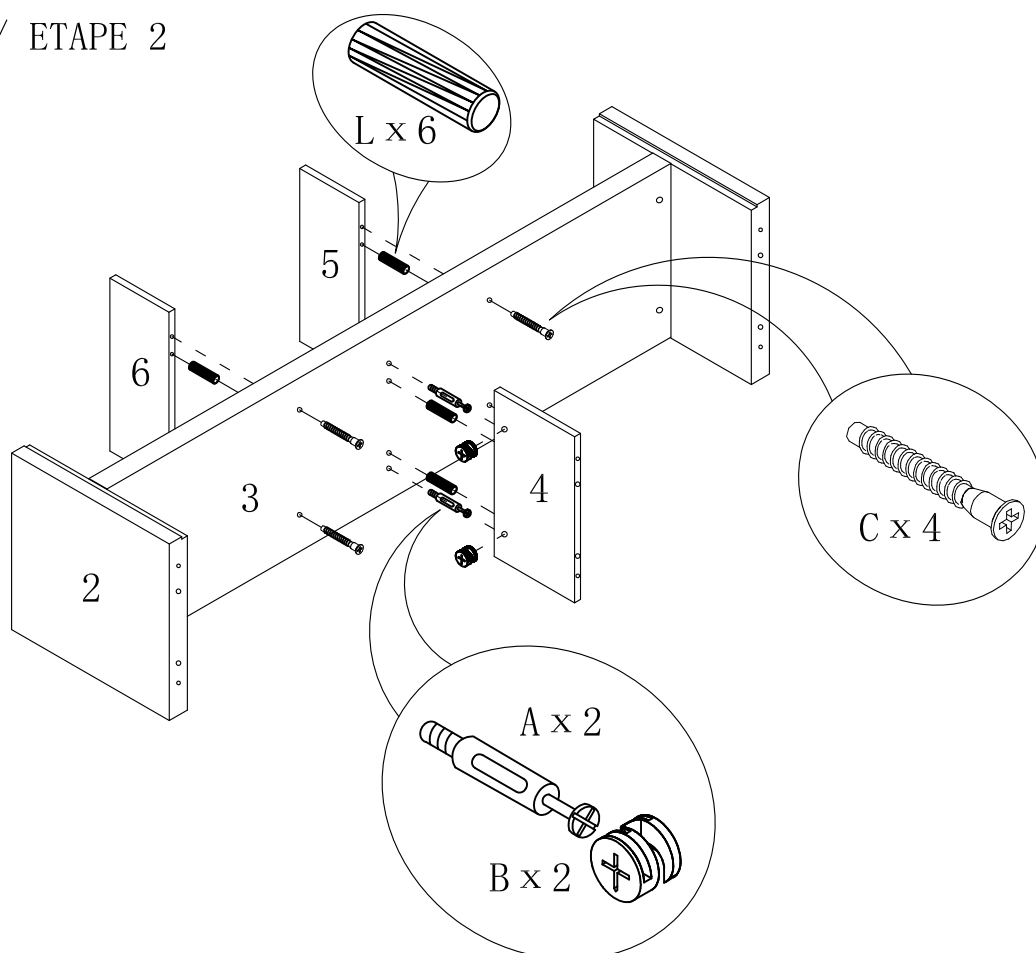
| | | | |
|---|---|--|------------|
| A |  | L29 | 14pcs/pces |
| B |  | Φ 15 | 14pcs/pces |
| C |  | Φ 7 x 58 | 10pcs/pces |
| D |  | Φ 4 x 35 | 12pcs/pces |
| E |  | | 38pcs/pces |
| F |  | Φ 4 x 30 | 12pcs/pces |
| G |  | L20 | 8pcs/pces |
| H |  | Φ 12 | 8pcs/pces |
| I |  | 256MM | 2pcs/pces |
| J |  | M4 x 20 | 4pcs/pces |
| K |  | Φ 18 | 8pcs/pces |
| L |  | Φ 8 x 25 | 24pcs/pces |
| M |  | Φ 6 x 30 | 4pcs/pces |
| N |  | M6 x 12 | 2pcs/pces |
| O |  | 80 x 25 x 68 | 1pc/pce |
| P |  | To firmly secure the cover to the connecting hole / Pour coller la rondelle au trou de connexion | 1pc/pce |

ITEM NO/NO ARTICLE:
2706GRTV、27062TV-GREY 2706WWTV

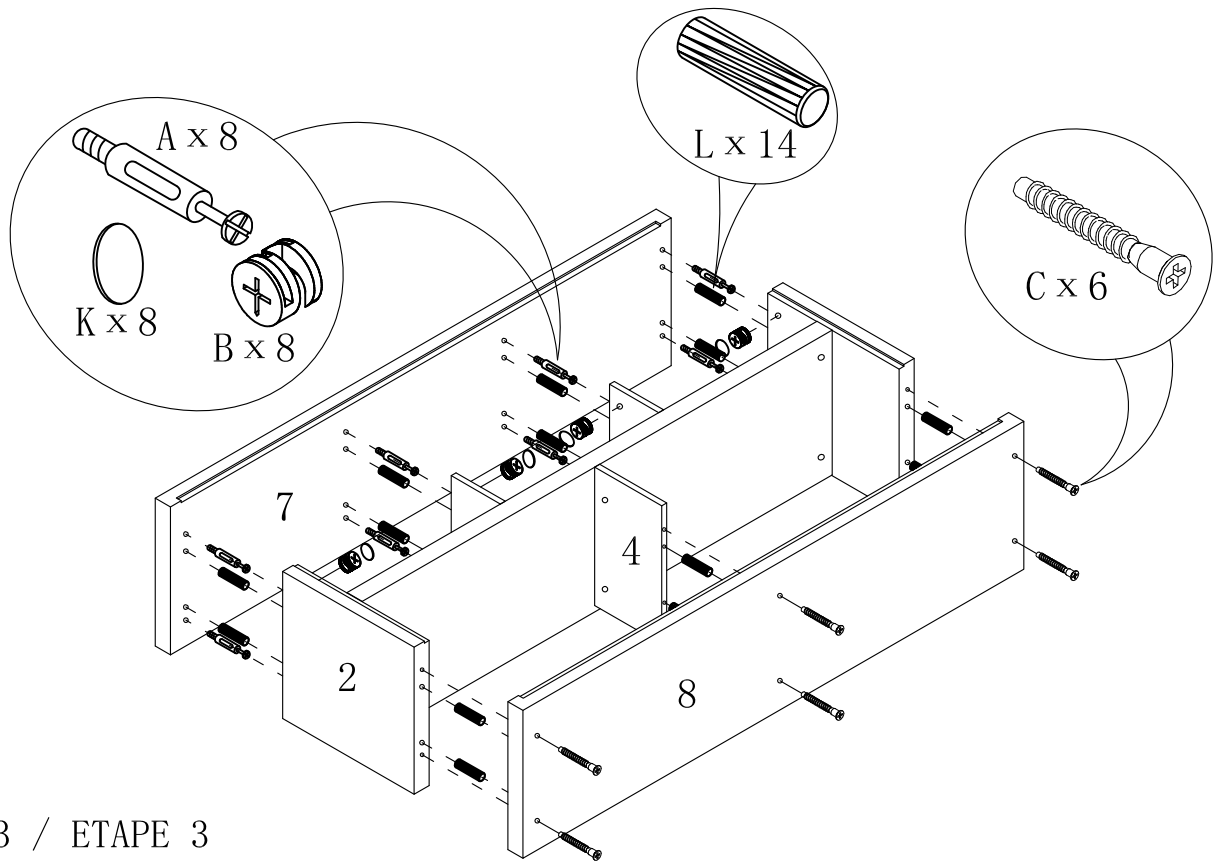
STEP 1 / ETAPE 1



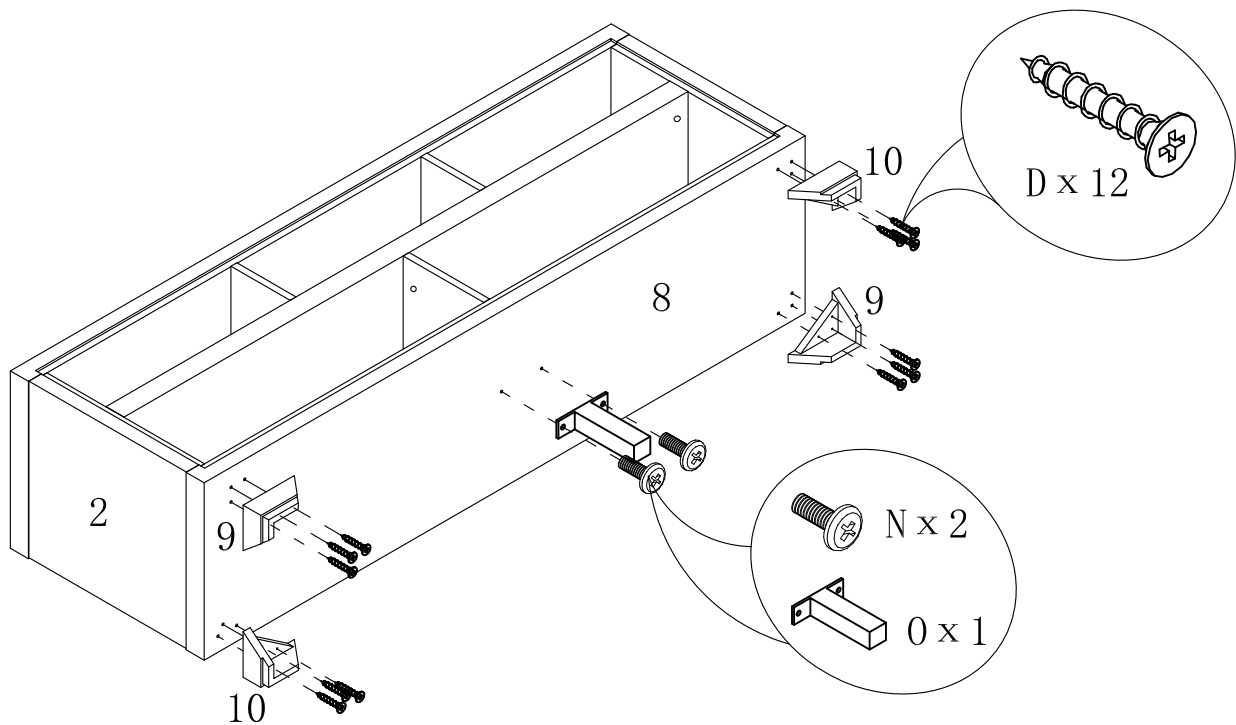
STEP 2 / ETAPE 2



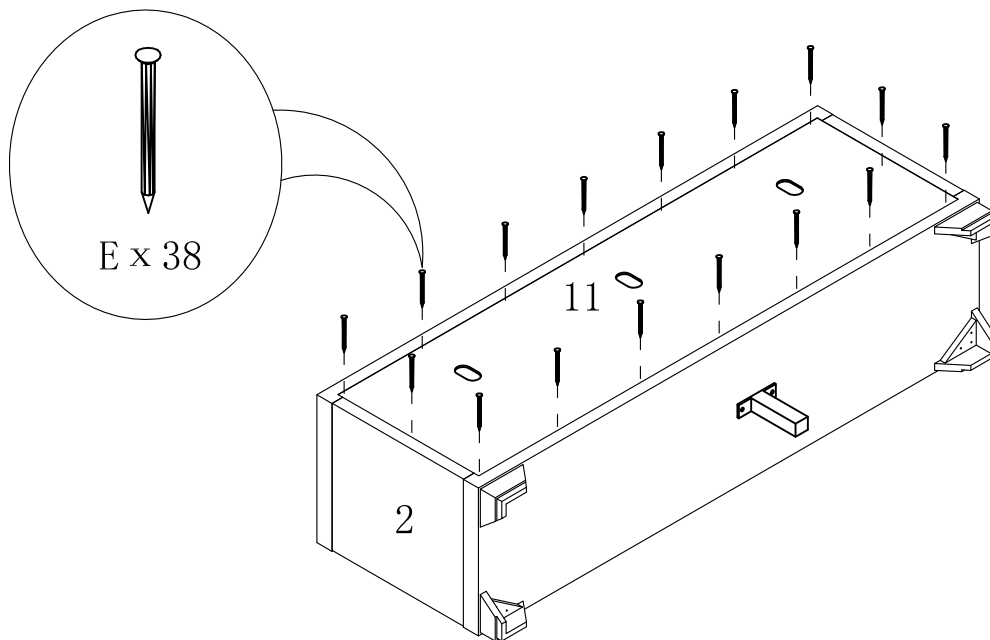
ITEM NO/NO ARTICLE:
2706GRTV、 27062TV-GREY 2706WWTV



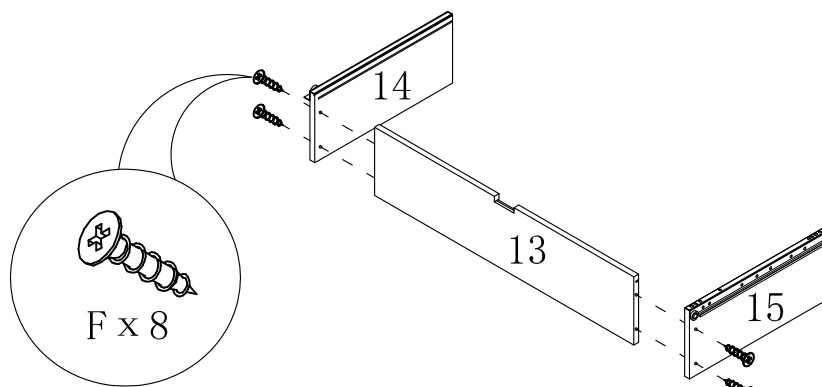
STEP 4 / ETAPE 4



ITEM NO/NO ARTICLE:
2706GRTV、 27062TV-GREY 2706WWTV

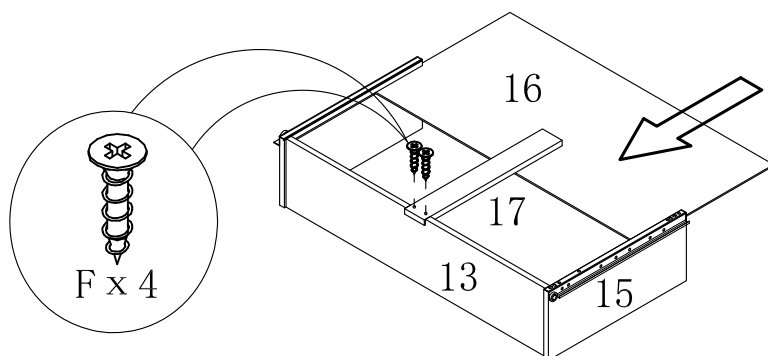


STEP 5 / ETAPE 5

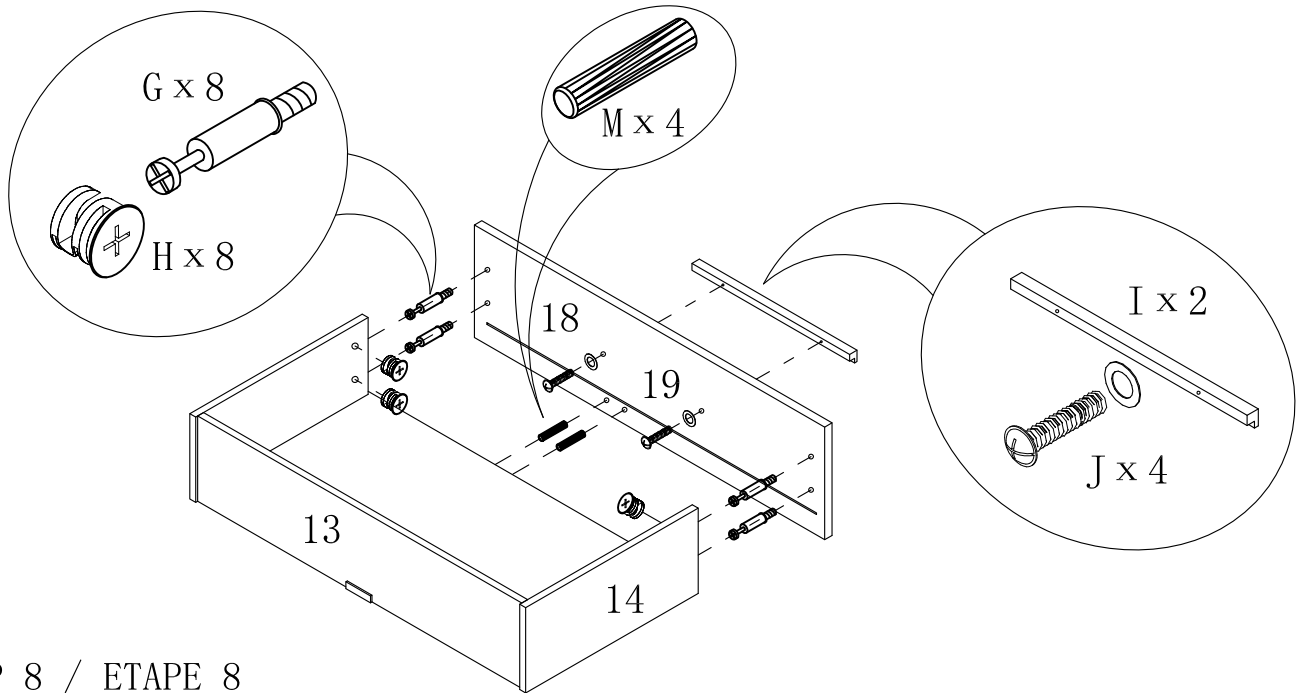


STEP 6 / ETAPE 6

STEP 7 / ETAPE 7



ITEM NO/NO ARTICLE:
2706GRTV, 27062TV-GREY 2706WWTV



STEP 8 / ETAPE 8

STEP 9 / ETAPE 9

