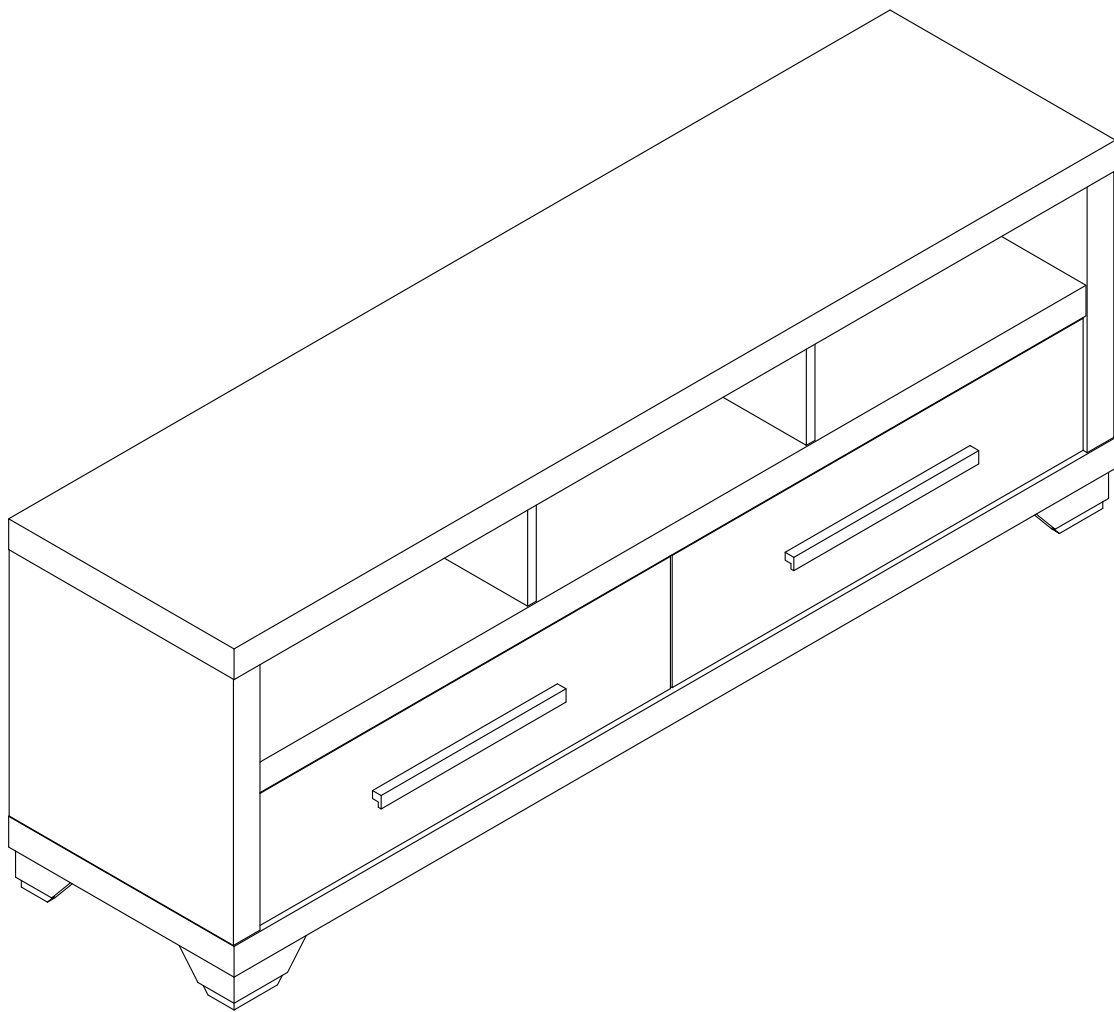


# ASSEMBLY INSTRUCTIONS / INSTRUCTIONS D'ASSEMBLAGE

---

ITEM NO/NO ARTICLE:

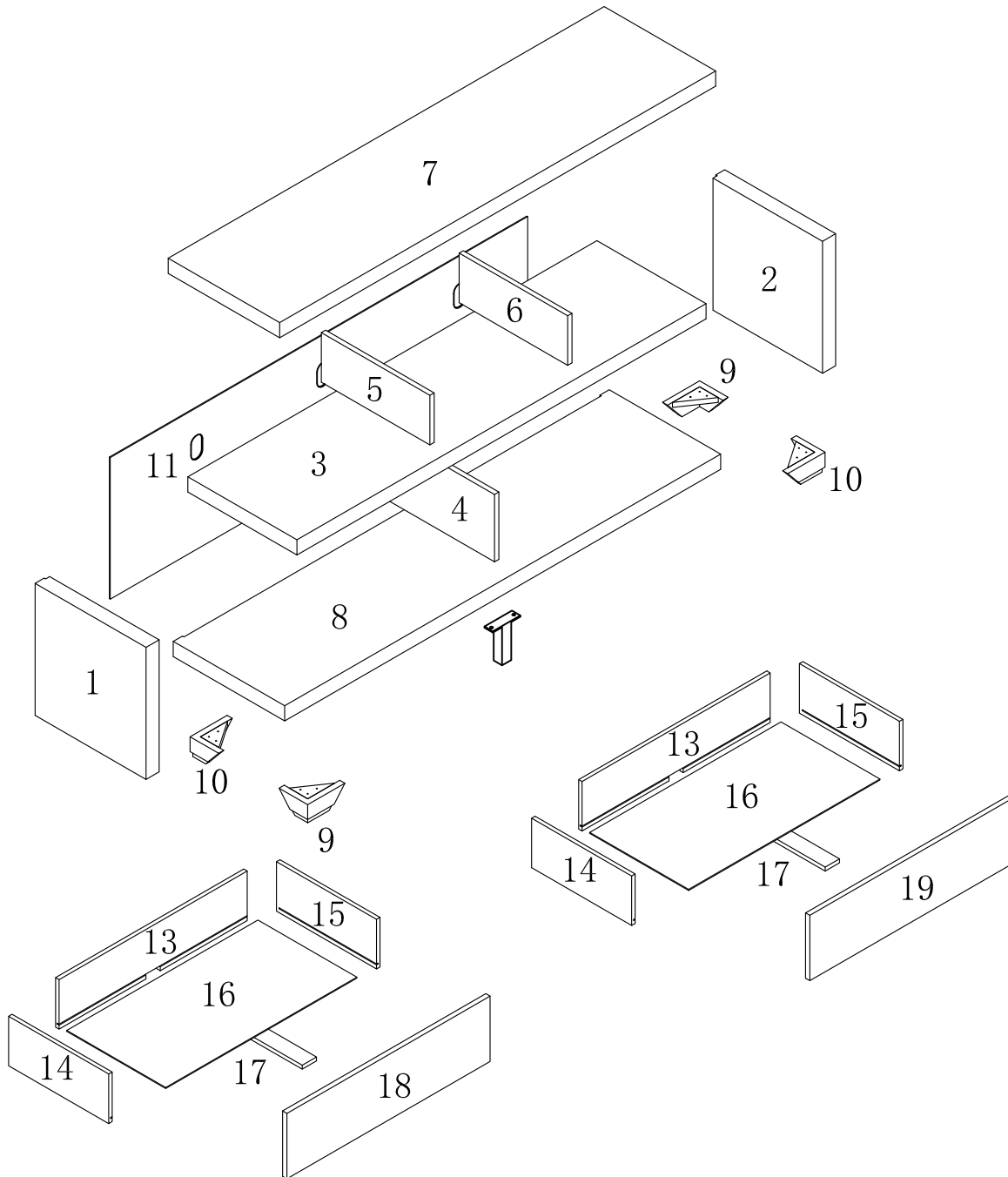
2706GRTV、 27062TV-GREY 2706WWTV



# PARTS IDENTIFICATIONS / IDENTIFICATION DES PIECES

ITEM NO/NO ARTICLE:

2706GRTV、27062TV-GREY 2706WWTV

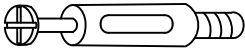

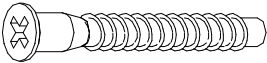
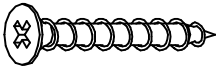

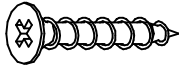
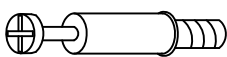

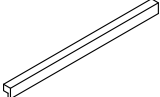

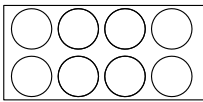
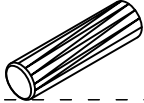
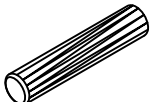
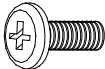




(1)	1pc/pce	(7)	1pc/pce	(13)	2pcs/pces	(19)	1pc/pce
(2)	1pc/pce	(8)	1pc/pce	(14)	2pcs/pces		
(3)	1pc/pce	(9)	2pcs/pces	(15)	2pcs/pces		
(4)	1pc/pce	(10)	2pcs/pces	(16)	2pcs/pces		
(5)	1pc/pce	(11)	1pc/pce	(17)	2pcs/pces		
(6)	1pc/pce			(18)	1pc/pce		

# HARDWARE IDENTIFICATIONS/ IDENTIFICATION DU KIT D'ASSEMBLAGE

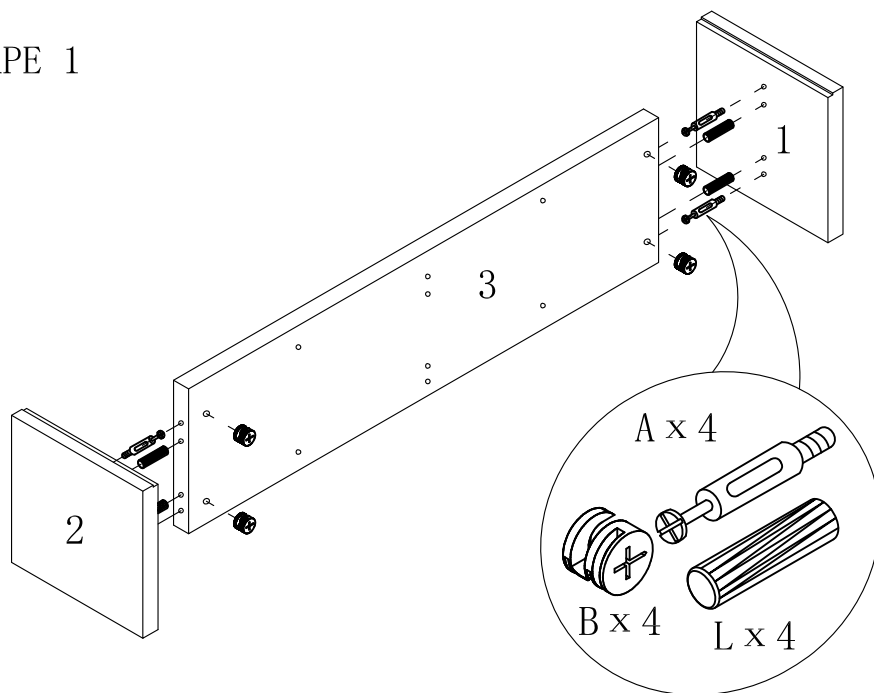
ITEM NO/NO ARTICLE:

2706GRTV、27062TV-GREY 2706WWTV

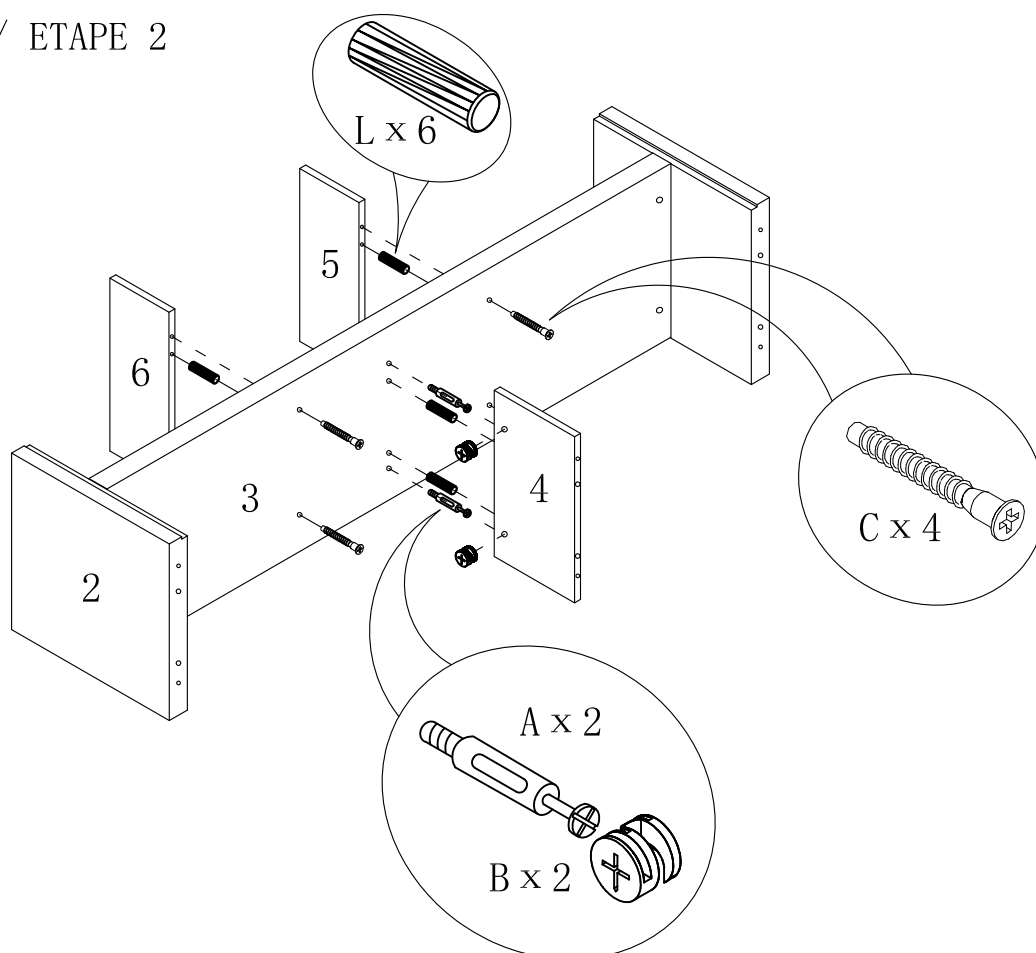
A		L29	14pcs/pces
B		Φ 15	14pcs/pces
C		Φ 7 x 58	10pcs/pces
D		Φ 4 x 35	12pcs/pces
E			38pcs/pces
F		Φ 4 x 30	12pcs/pces
G		L20	8pcs/pces
H		Φ 12	8pcs/pces
I		256MM	2pcs/pces
J		M4 x 20	4pcs/pces
K		Φ 18	8pcs/pces
L		Φ 8 x 25	24pcs/pces
M		Φ 6 x 30	4pcs/pces
N		M6 x 12	2pcs/pces
O		80 x 25 x 68	1pc/pce
P		To firmly secure the cover to the connecting hole / Pour coller la rondelle au trou de connexion	1pc/pce

ITEM NO/NO ARTICLE:  
2706GRTV、 27062TV-GREY 2706WWTV

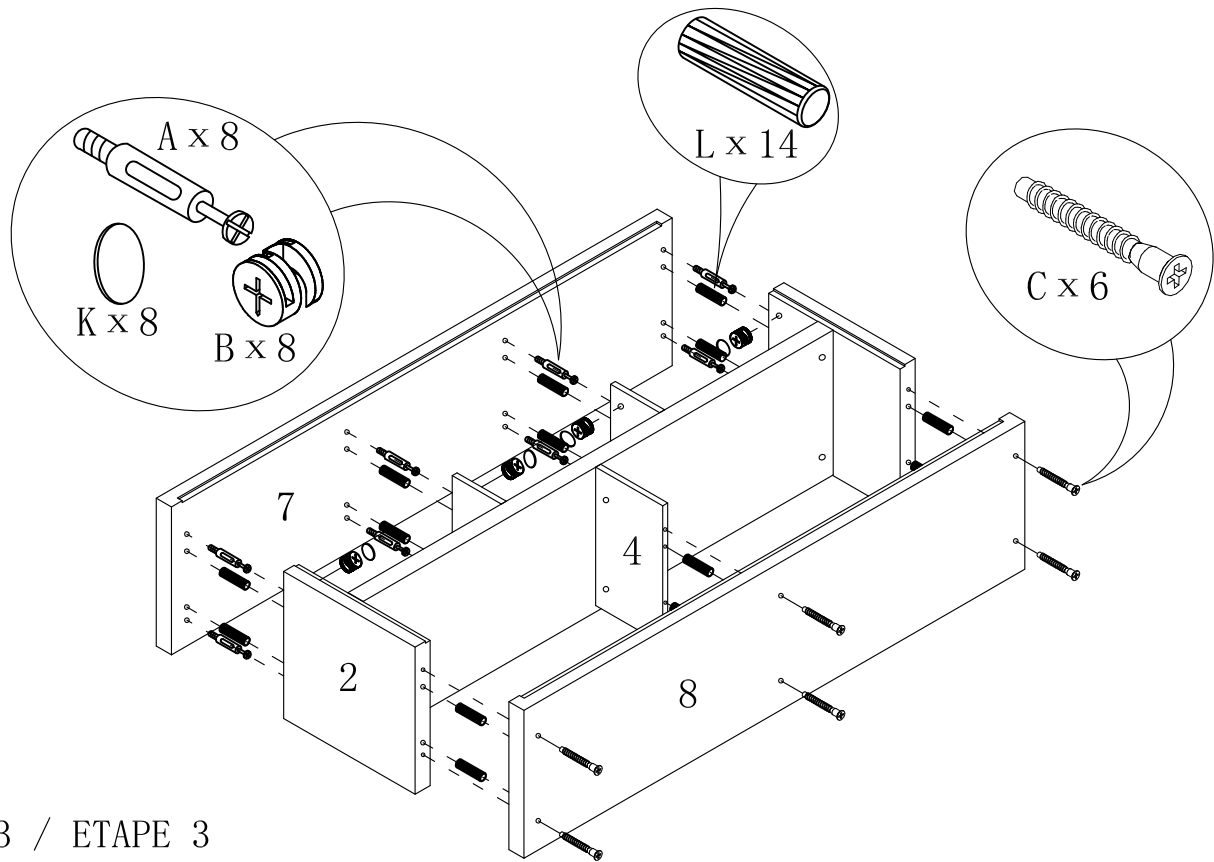
STEP 1 / ETAPE 1



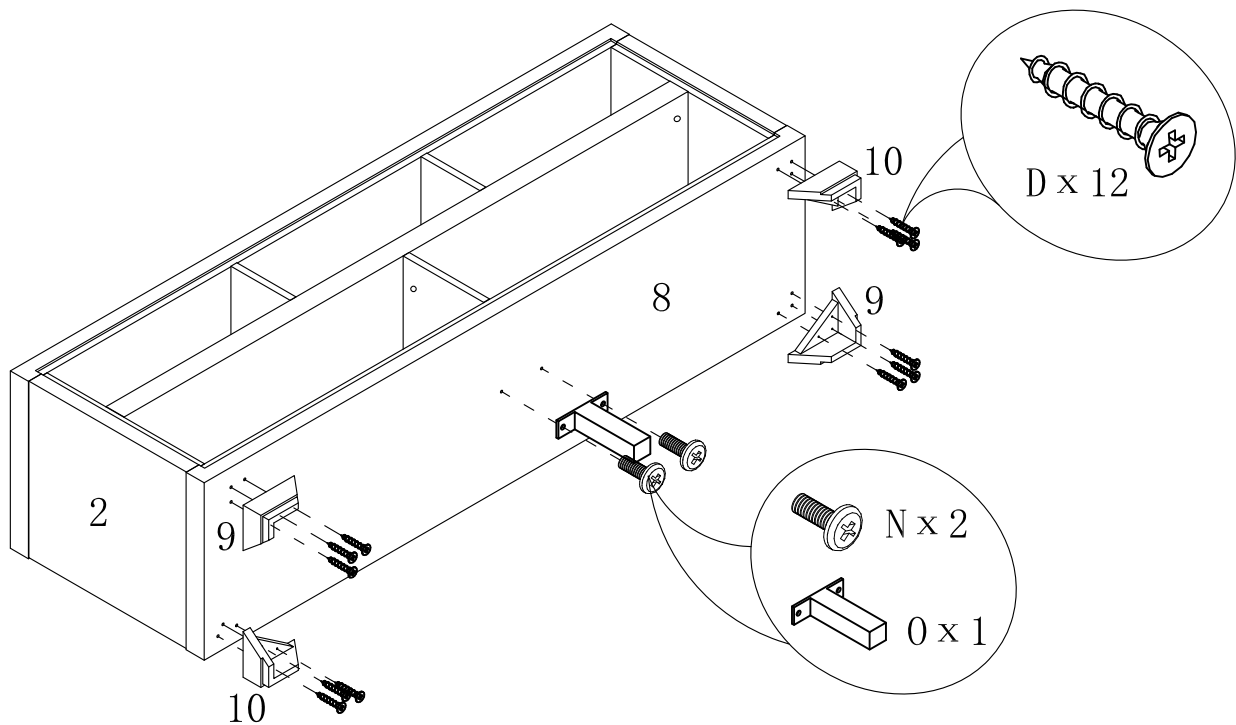
STEP 2 / ETAPE 2



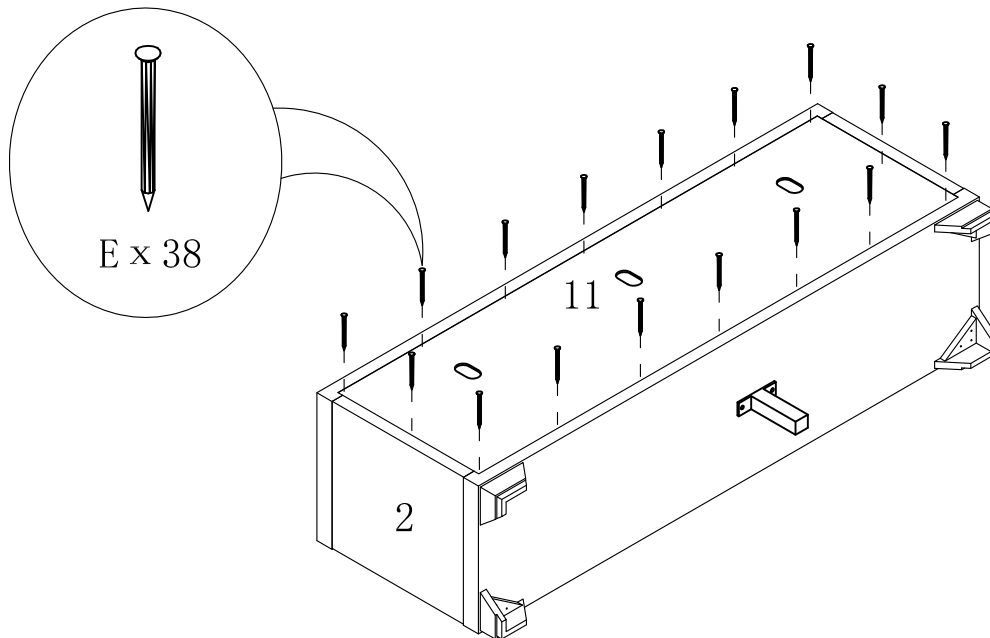
ITEM NO/NO ARTICLE:  
2706GRTV、 27062TV-GREY 2706WWTV



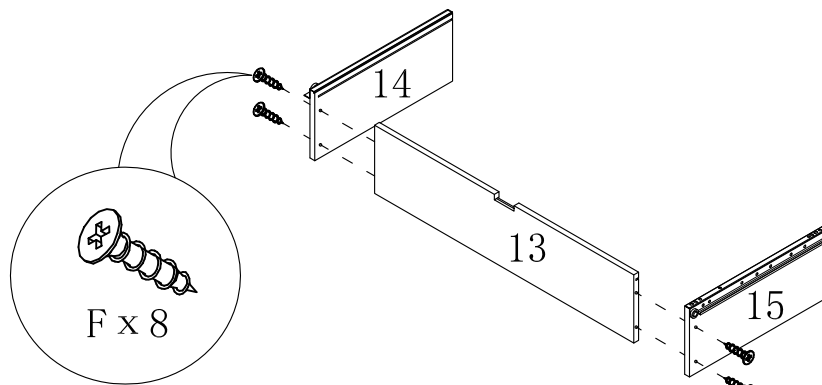
STEP 4 / ETAPE 4



ITEM NO/NO ARTICLE:  
2706GRTV、 27062TV-GREY 2706WWTV

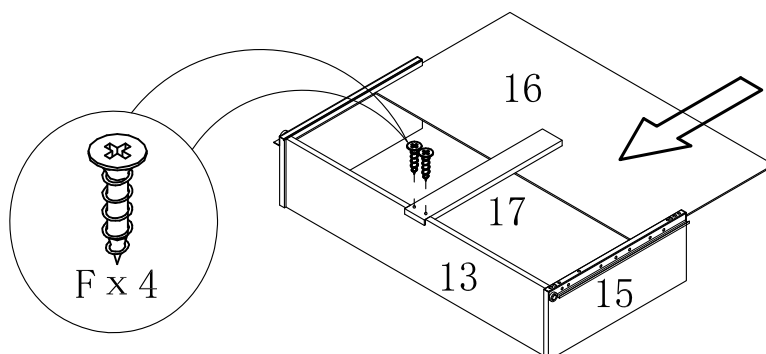


STEP 5 / ETAPE 5

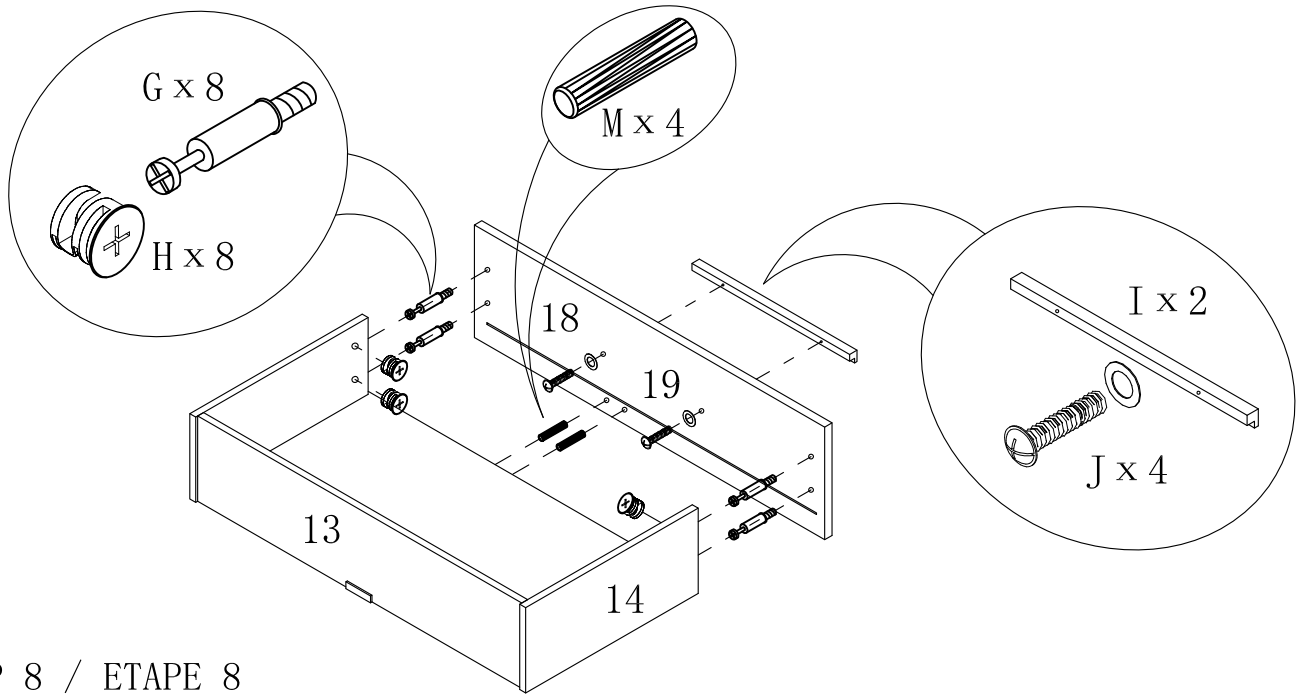


STEP 6 / ETAPE 6

STEP 7 / ETAPE 7

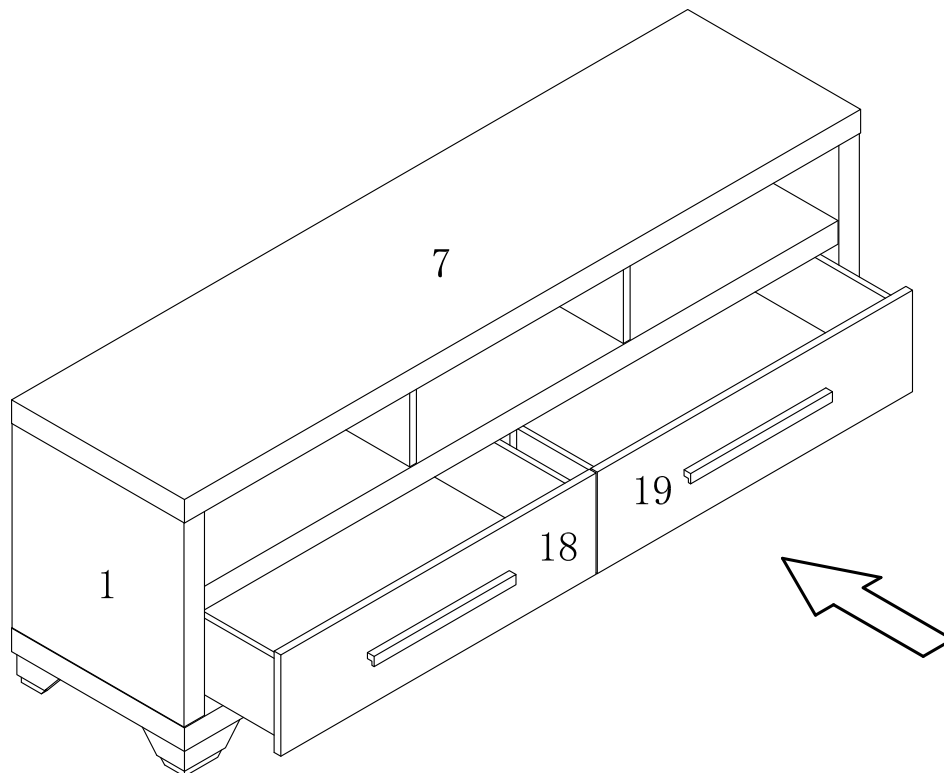


ITEM NO/NO ARTICLE:  
2706GRTV、 27062TV-GREY 2706WWTV



STEP 8 / ETAPE 8

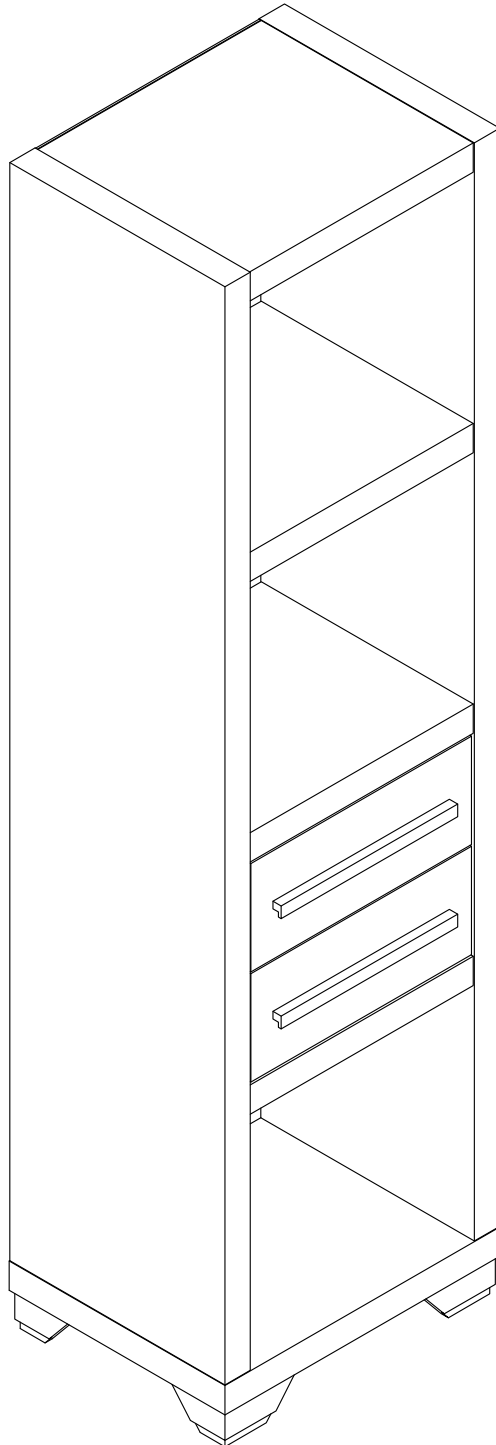
STEP 9 / ETAPE 9



# ASSEMBLY INSTRUCTIONS / INSTRUCTIONS D'ASSEMBLAGE

---

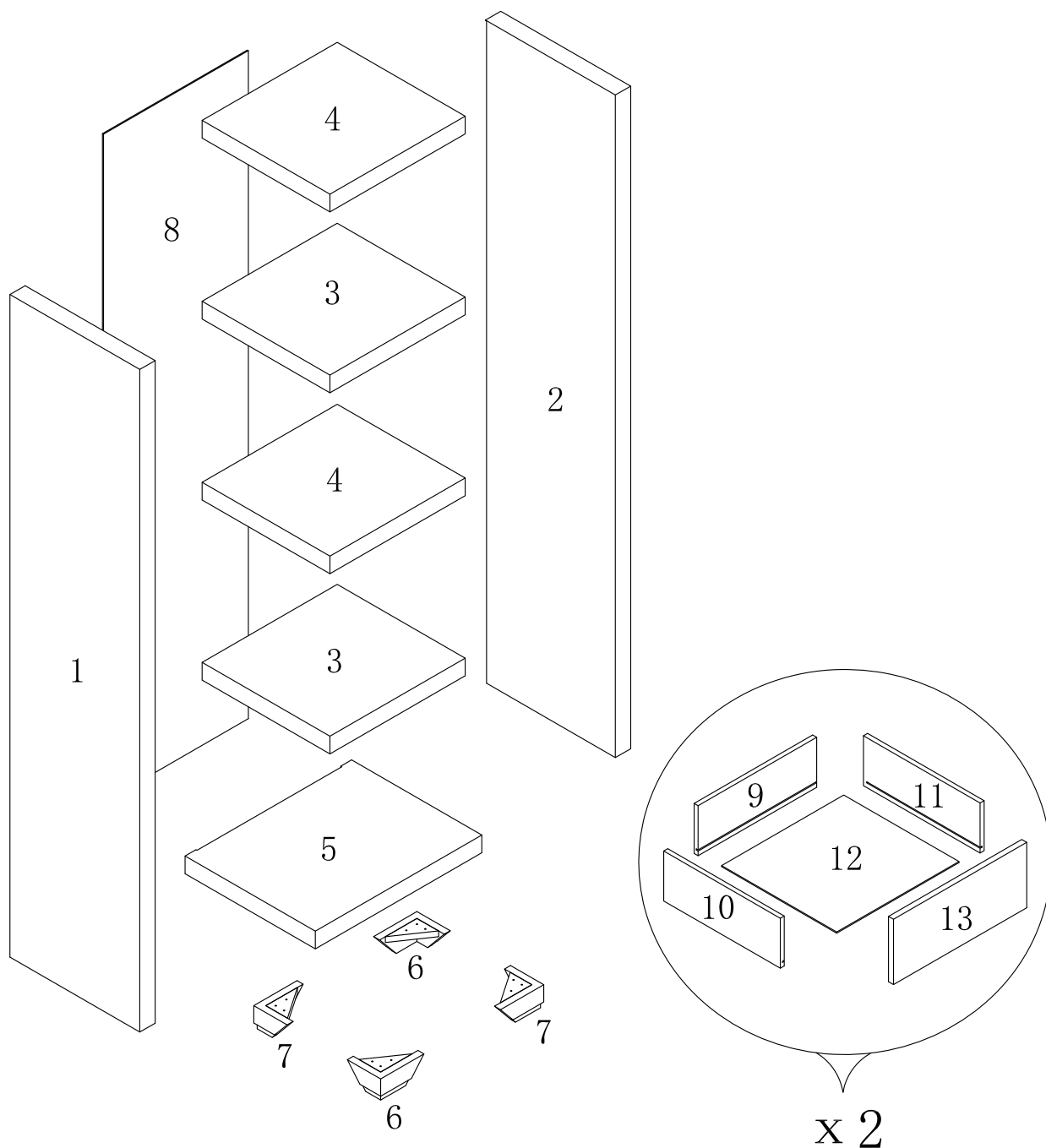
ITEM NO/NO ARTICLE:  
2706GRP、 27062P-GREY、 27062WWP





# PARTS IDENTIFICATIONS / IDENTIFICATION DES PIECES

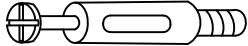

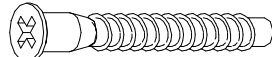
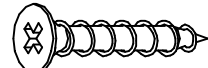


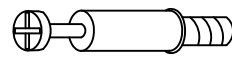

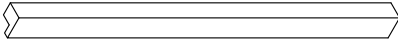

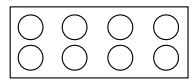
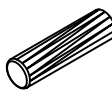


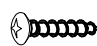
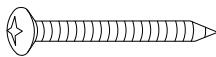
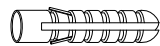


ITEM NO/NO ARTICLE:  
2706GRP、27062P-GREY、27062WWP



(1)	1pc/pce	(6)	2pcs/pces	(11)	2pcs/pces
(2)	1pc/pce	(7)	2pcs/pces	(12)	2pcs/pces
(3)	2pcs/pces	(8)	1pc/pce	(13)	2pcs/pces
(4)	2pcs/pces	(9)	2pcs/pces		
(5)	1pc/pce	(10)	2pcs/pces		

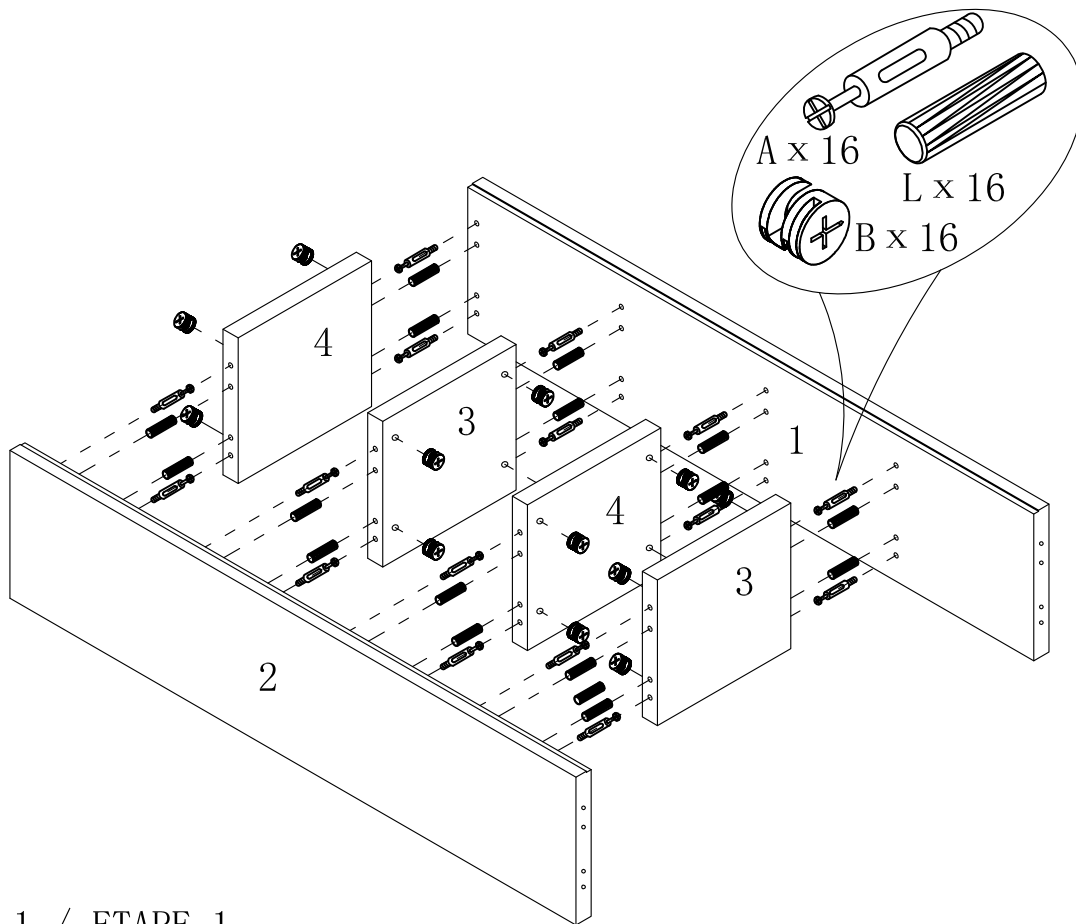
# HARDWARE IDENTIFICATIONS/ IDENTIFICATION DU KIT D'ASSEMBLAGE

ITEM NO/NO ARTICLE:  
2706GRP、27062P-GREY、27062WWP

A		L29	16pcs/pcs
B		φ 15	16pcs/pcs
C		φ 7 x 58	4pcs/pcs
D		φ 4 x 35	12pcs/pcs
E			45pcs/pcs
F		φ 4 x 30	8pcs/pcs
G		L20	8pcs/pcs
H		φ 12	8pcs/pcs
I		256MM	2pcs/pcs
J		φ 4 x 22	4pcs/pcs
K		φ 18	8pcs/pcs
L		φ 8 x 25	20pcs/pcs
M		197×5×1	1pc/pce
N		12×12×1	2pcs/pcs
S		φ 4 x 25	1pc/pce
O		φ 5 x 40	1pc/pce
P			1pc/pce
Q		φ 16	4pc/pce
R			1pc/pce

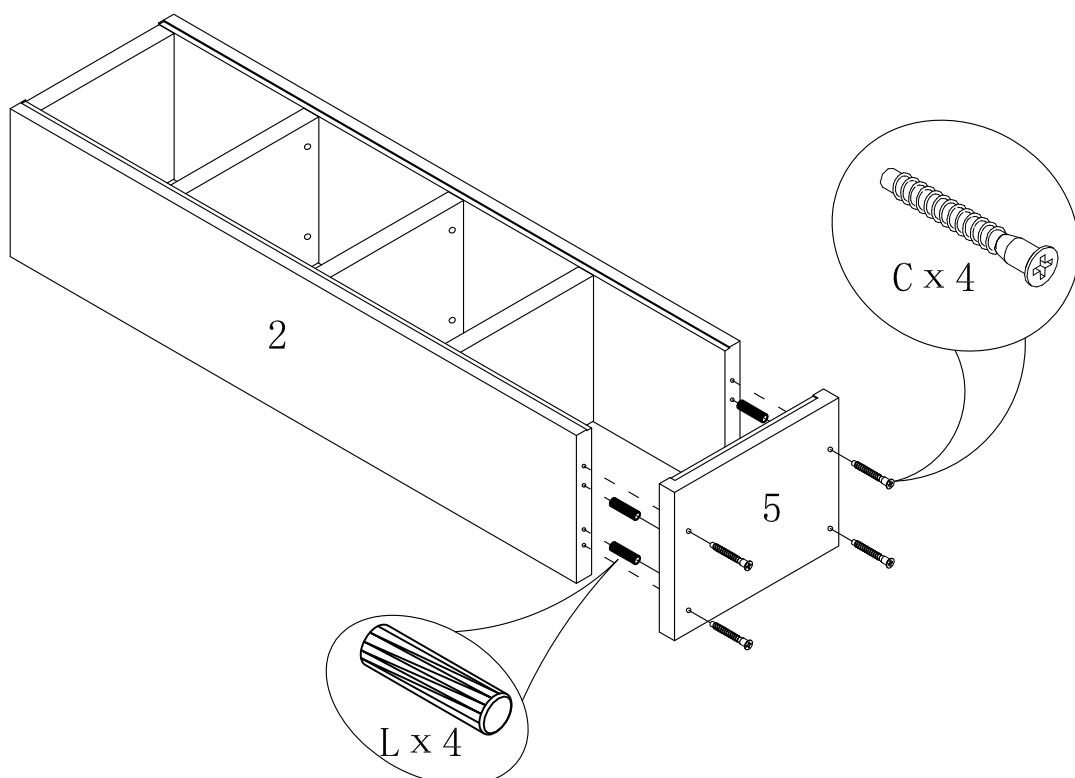
To firmly secure the cover to the connecting hole / Pour coller la rondelle au trou de connexion

ITEM NO/NO ARTICLE:  
2706GRP、27062P-GREY、27062WWP

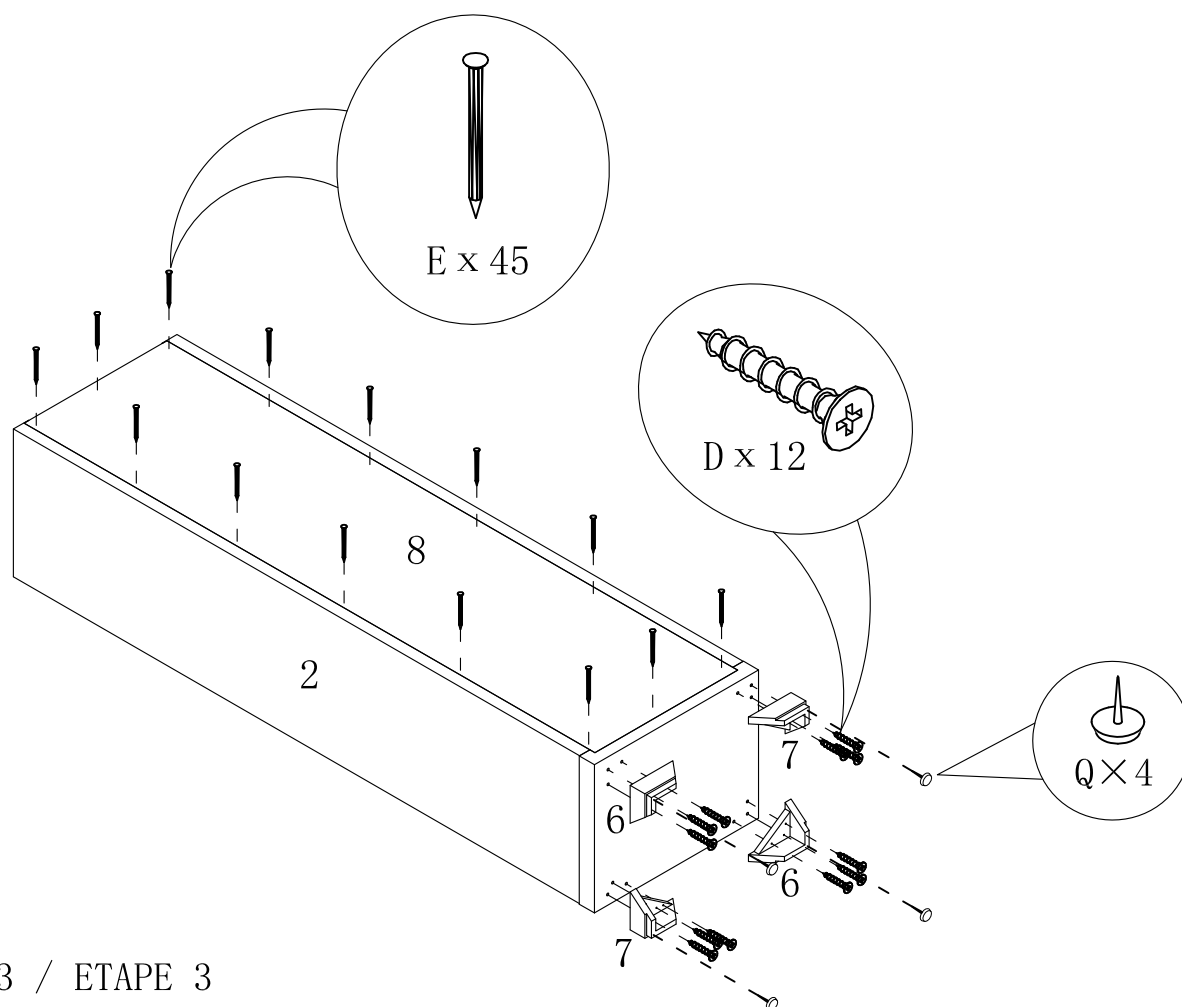


STEP 1 / ETAPE 1

STEP 2 / ETAPE 2

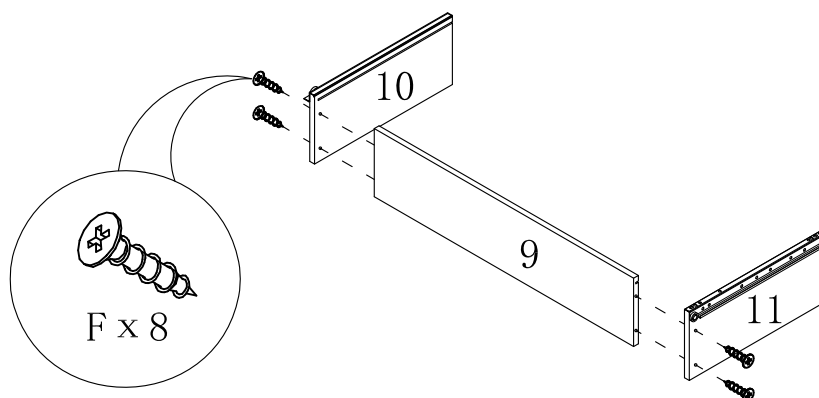


ITEM NO/NO ARTICLE:  
2706GRP、27062P-GREY、27062WWP

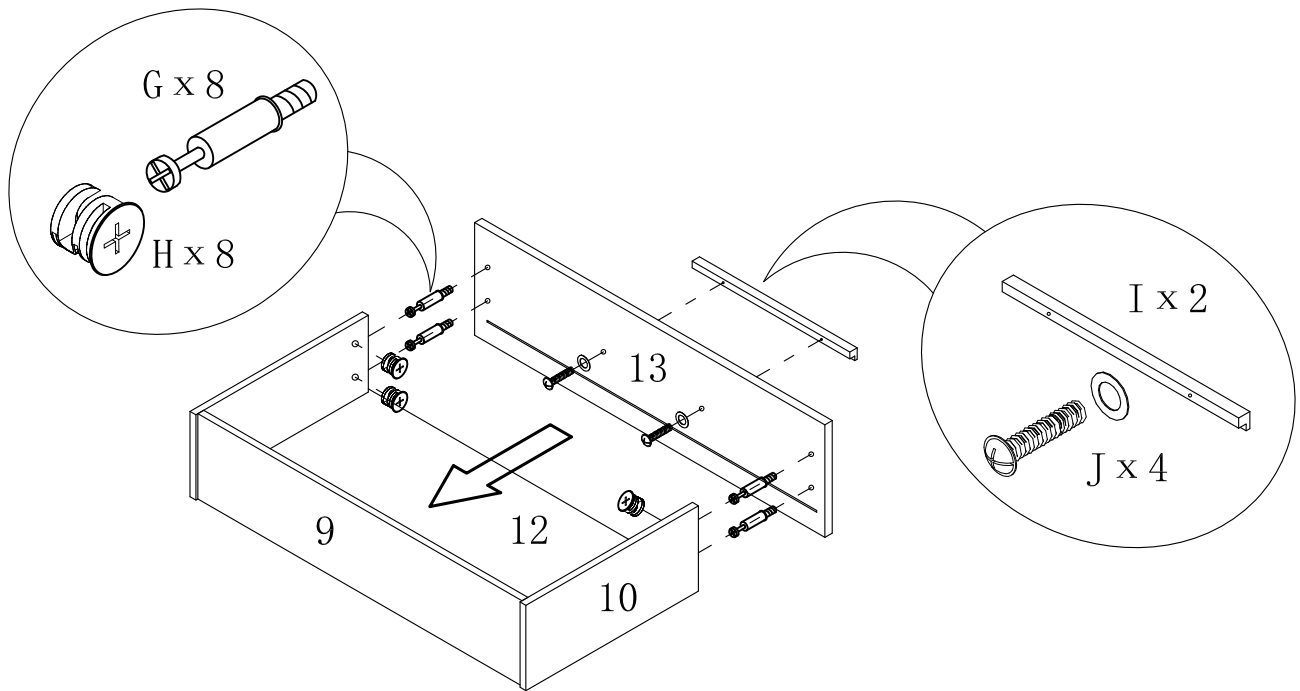


STEP 3 / ETAPE 3

STEP 4 / ETAPE 4

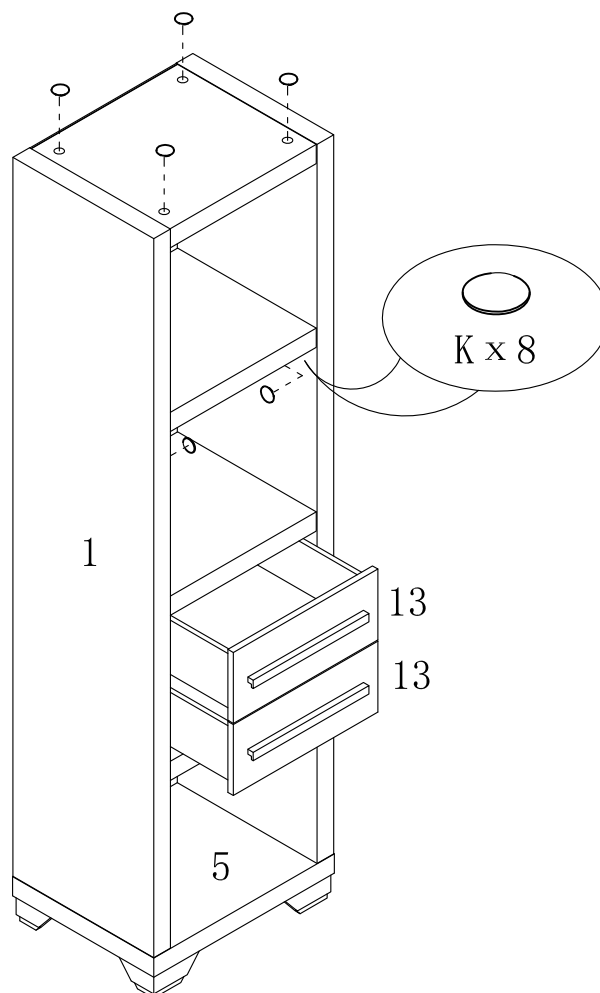


ITEM NO/NO ARTICLE:  
2706GRP、27062P-GREY、27062WWP



STEP 5 / ETAPE 5

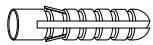
STEP 6 / ETAPE 6



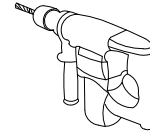
# ANTI-TIPPING STRAP INSTRUCTION

## HARDWARE (INCLUDED) :

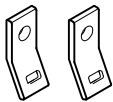
## TOOLS NEEDED ( NOT INCLUDED) :



DRYWALL ANCHOR  $\phi 8 \times 40$  X 1PC



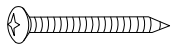
DRILL & DRILL BIT



METAL BRACKETS  $12 \times 12 \times 1$  X 2PCS



LIGHT HAMMER



DRYWALL SCREW  $\phi 5 \times 40$  X 1PC



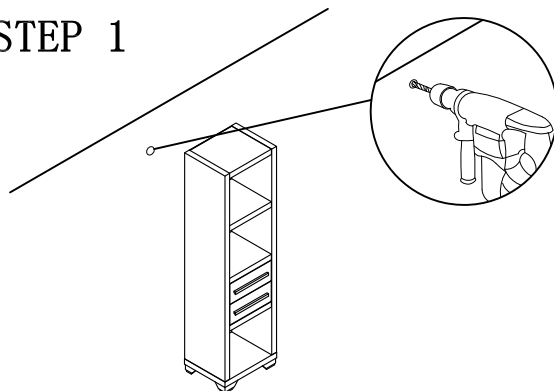
STRAP  $197 \times 5 \times 1$  X 1PC



FLATHEAD SCREW  $\phi 4 \times 25$  X 1PC

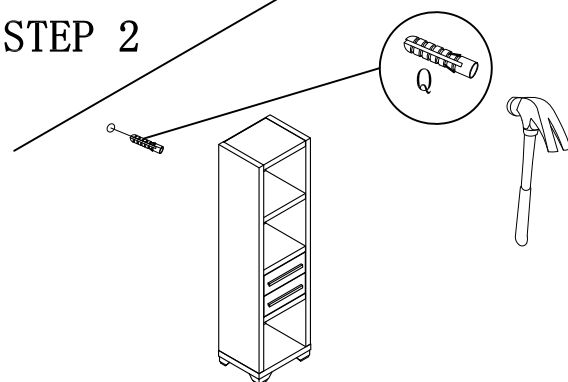
Note: Hardware included only compatible with standard drywalls.

### STEP 1



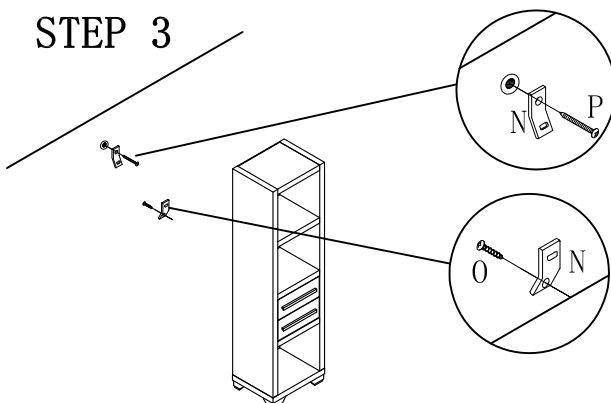
1. Find spot on wall 1" below top of item.
2. Using a drill bit slightly thinner than anchor, drill hole into drywall.

### STEP 2



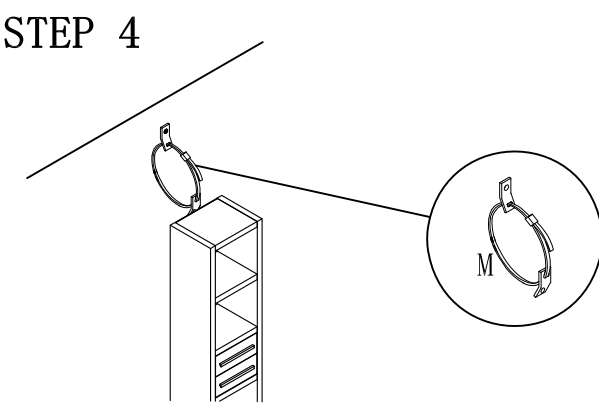
1. Use a light hammer to tap anchor into hole.
2. Anchor should fit snugly. If hole is too small, drill again to increase hole size. Do not force anchor into wall.

### STEP 3



1. Insert drywall screw into metal bracket and into drywall anchor.
2. Insert flathead screw into second metal bracket and into back of item, along top edge.

### STEP 4



1. Insert strap thru bracket attached to wall, then thru bracket on item, and into head of strap.
  2. pull lightly til strap stops.
- Assembly is complete.