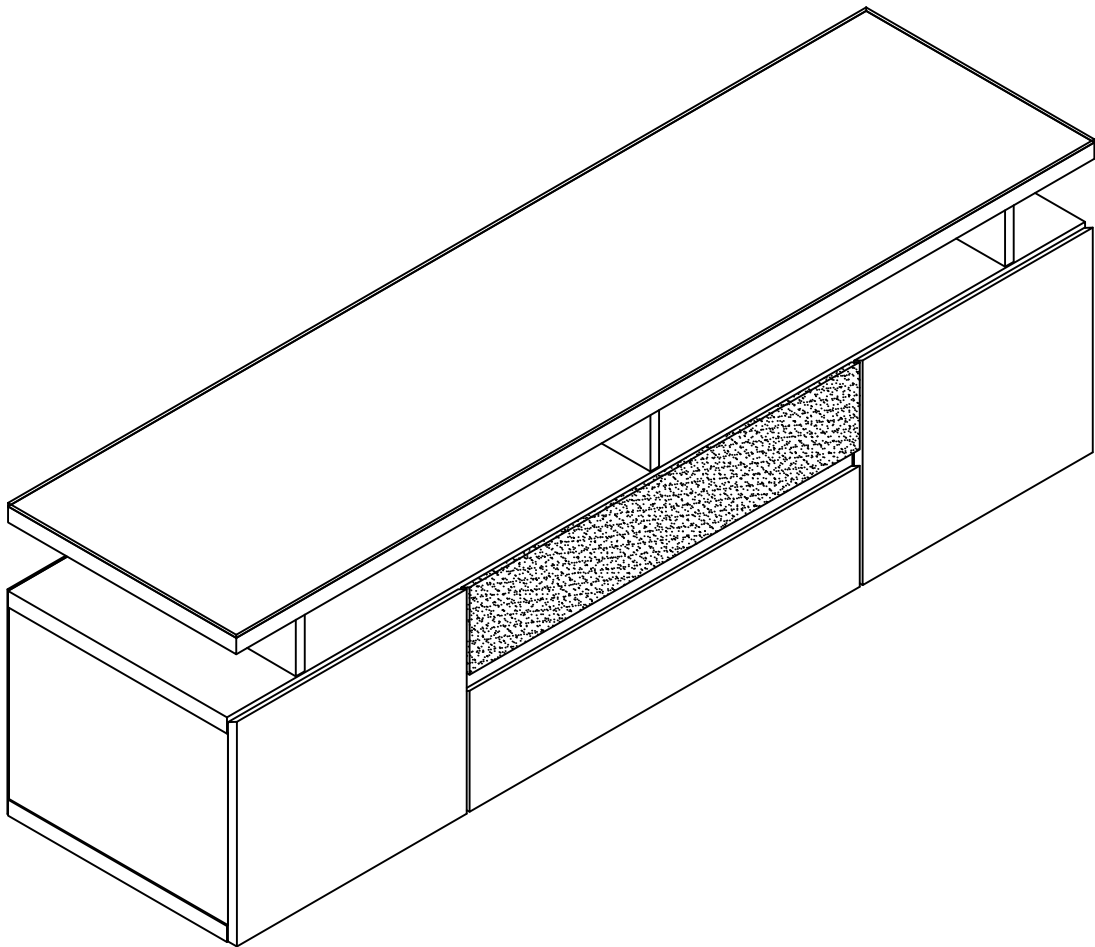


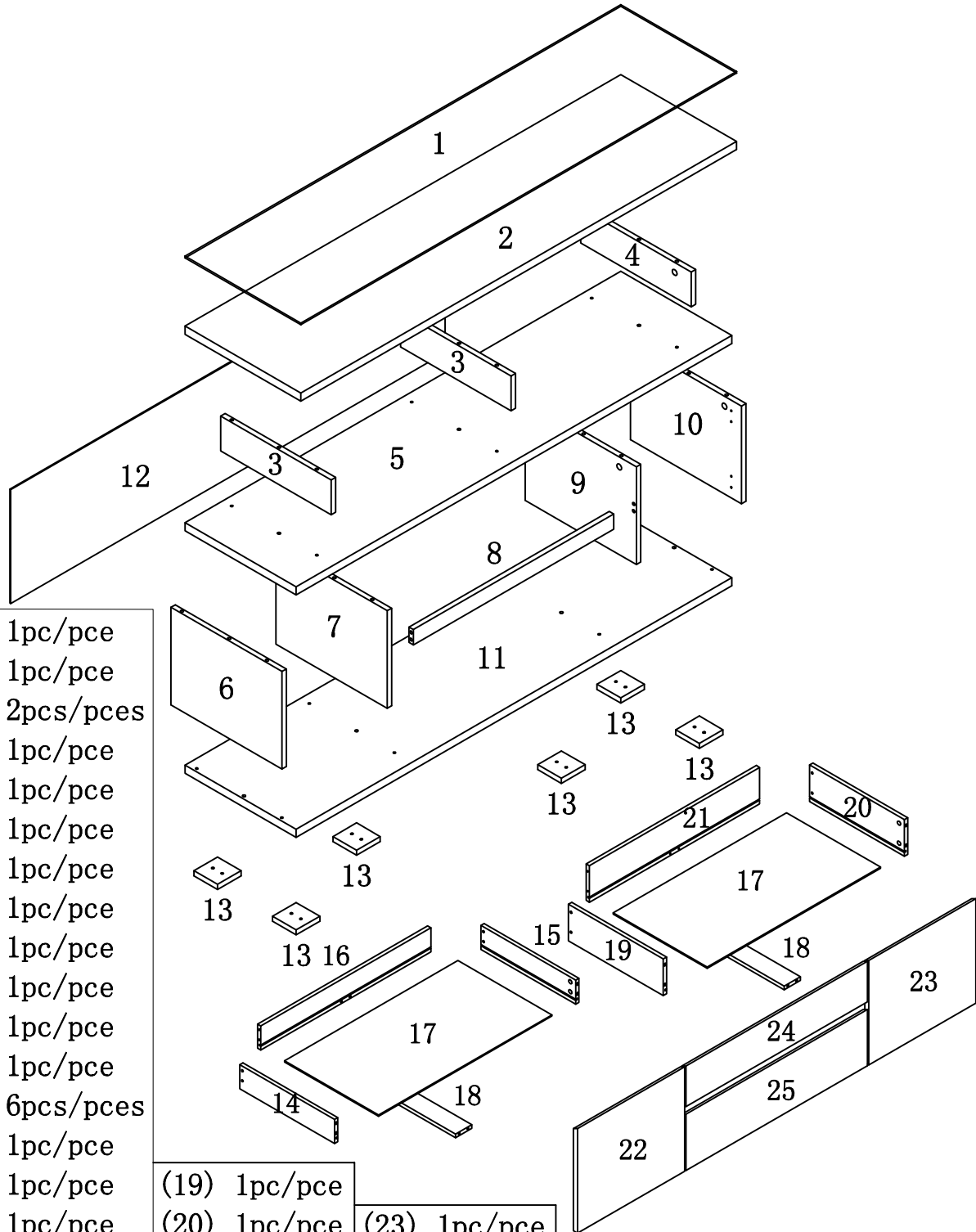
ASSEMBLY INSTRUCTIONS /
INSTRUCTIONS D'ASSEMBLAGE

ITEM NO/NO ARTICLE: ADB78TV/192543-78



PARTS IDENTIFICATIONS / IDENTIFICATION DES PIECES

ITEM NO/NO ARTICLE: ADB78TV/192543-78



- (1) 1pc/pce
- (2) 1pc/pce
- (3) 2pcs/pces
- (4) 1pc/pce
- (5) 1pc/pce
- (6) 1pc/pce
- (7) 1pc/pce
- (8) 1pc/pce
- (9) 1pc/pce
- (10) 1pc/pce
- (11) 1pc/pce
- (12) 1pc/pce
- (13) 6pcs/pces
- (14) 1pc/pce
- (15) 1pc/pce
- (16) 1pc/pce
- (17) 2pcs/pces
- (18) 2pcs/pces

(19) 1pc/pce

(20) 1pc/pce

(21) 1pc/pce

(22) 1pc/pce


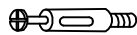


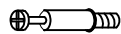



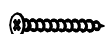
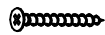


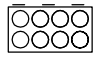


(23) 1pc/pce

(24) 1pc/pce

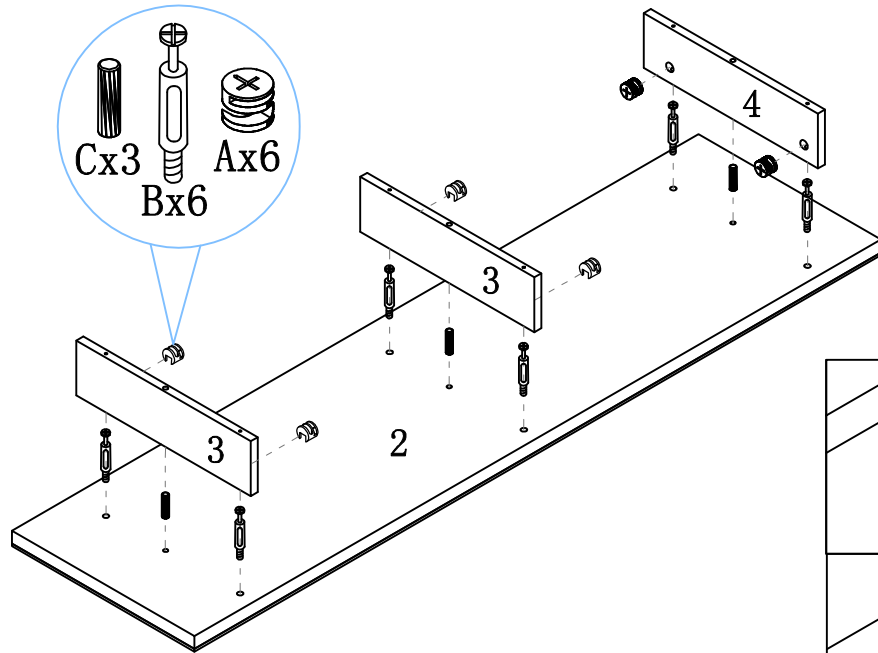
(25) 1pc/pce

HARDWARE IDENTIFICATIONS/ IDENTIFICATION DU KIT D'ASSEMBLAGE

ITEM NO/NO ARTICLE: ADB78TV/192543-78

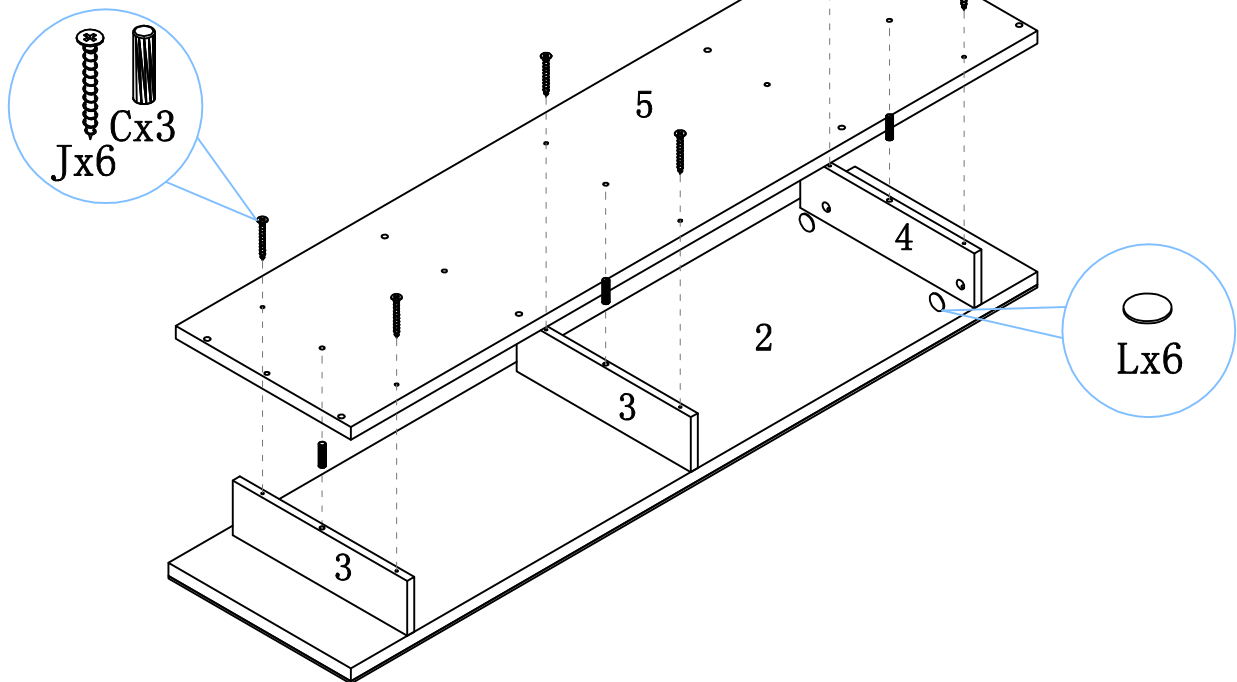
A		Φ 15	14pcs/pces
B		L29	14pcs/pces
C		Φ 8x25	18pcs/pces
D		Φ 12	8pcs/pces
E		L20	8pcs/pces
F		Φ 6x30	4pcs/pces
G		301A	4pcs/pces
H		Φ 4x16	16pcs/pces
I		Φ 4x30	22pcs/pces
J		Φ 4x45	14pcs/pces
K			38pcs/pces
L		Φ 16	6pcs/pces
M		Φ 22	10pcs/pces
N			4pcs/pces
O		<p>Glue: For securing please apply to wood dowel first before inserting into panel. Colle: Appliquez de la colle sur les goujons en bois avant de les insérer dans le panneau.</p>	1pc/pce

ITEM NO/NO ARTICLE: ADB78TV/192543-78

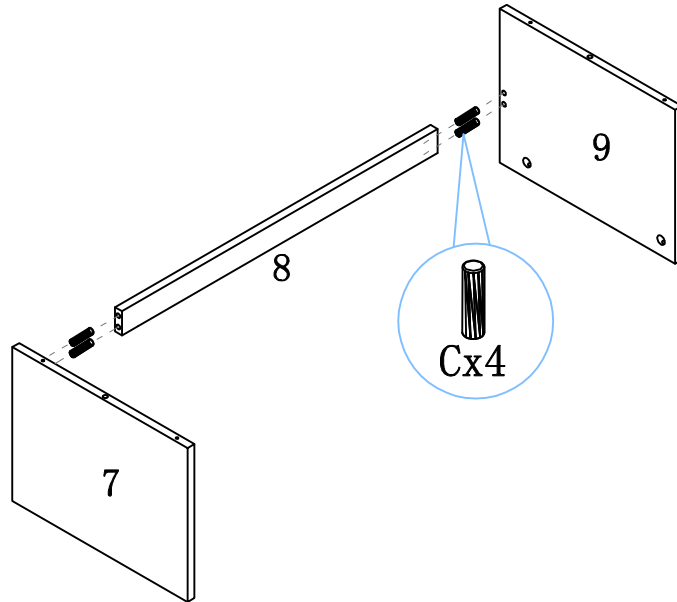


STEP 1 / ETAPE 1

STEP 2 / ETAPE 2

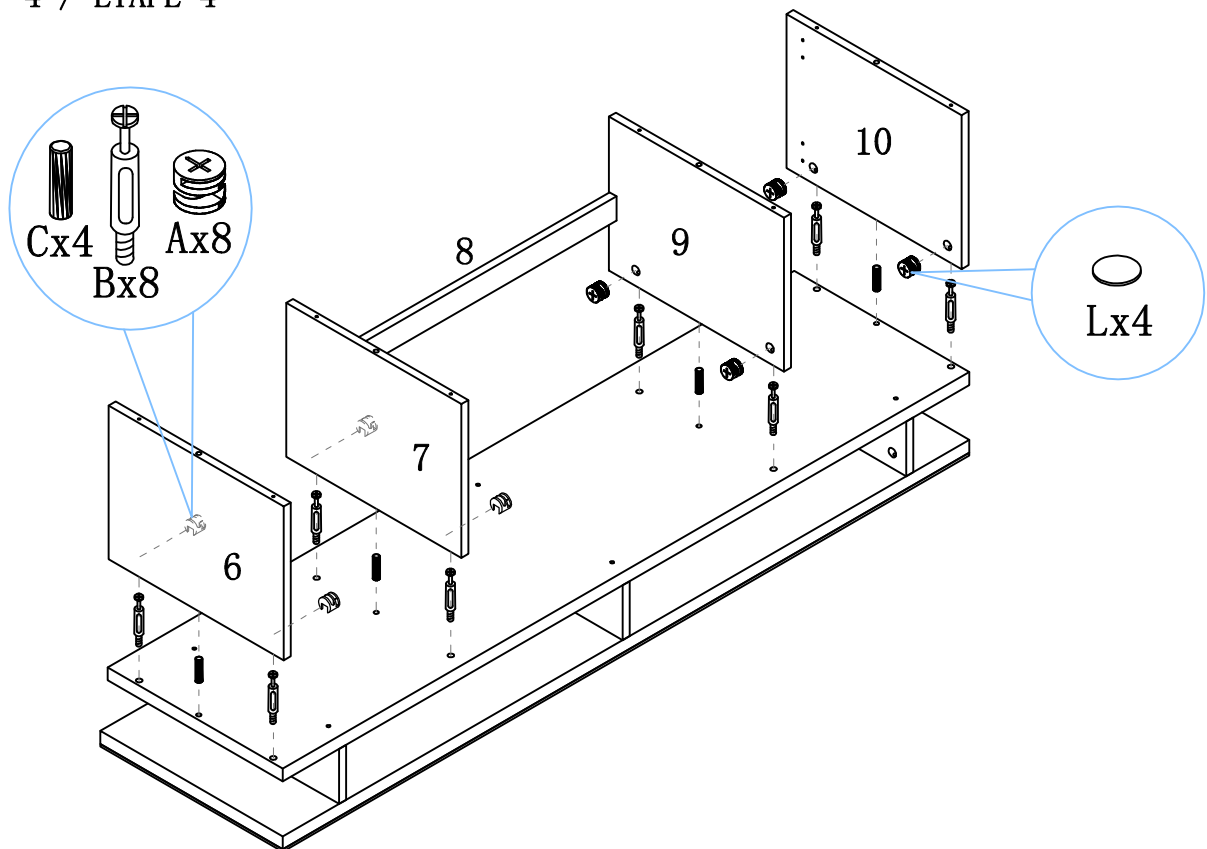


ITEM NO/NO ARTICLE: ADB78TV/192543-78

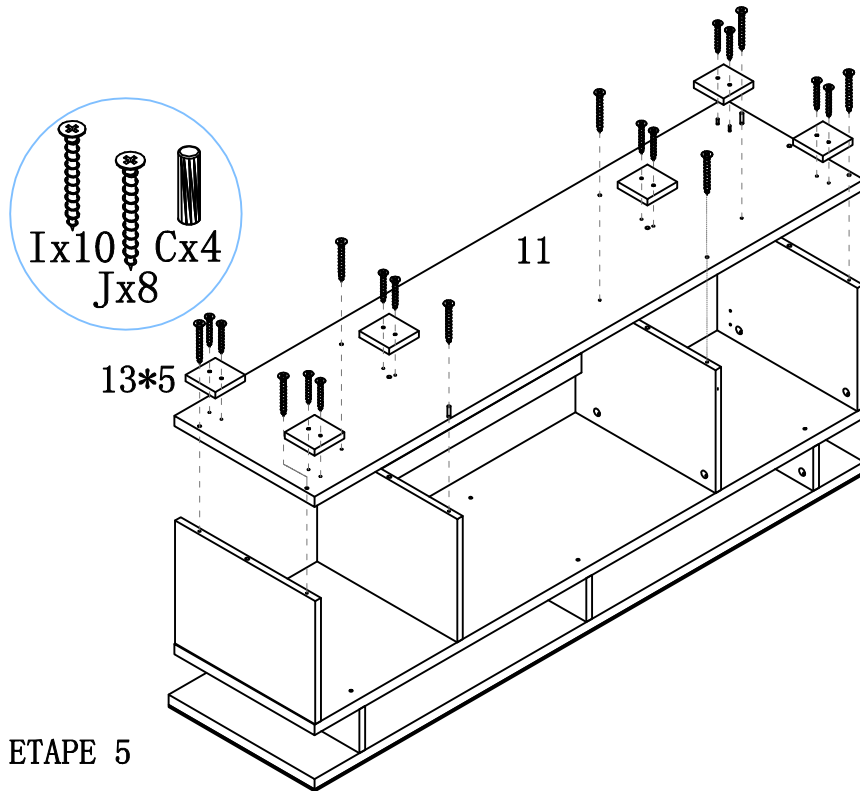


STEP 3 / ETAPE 3

STEP 4 / ETAPE 4

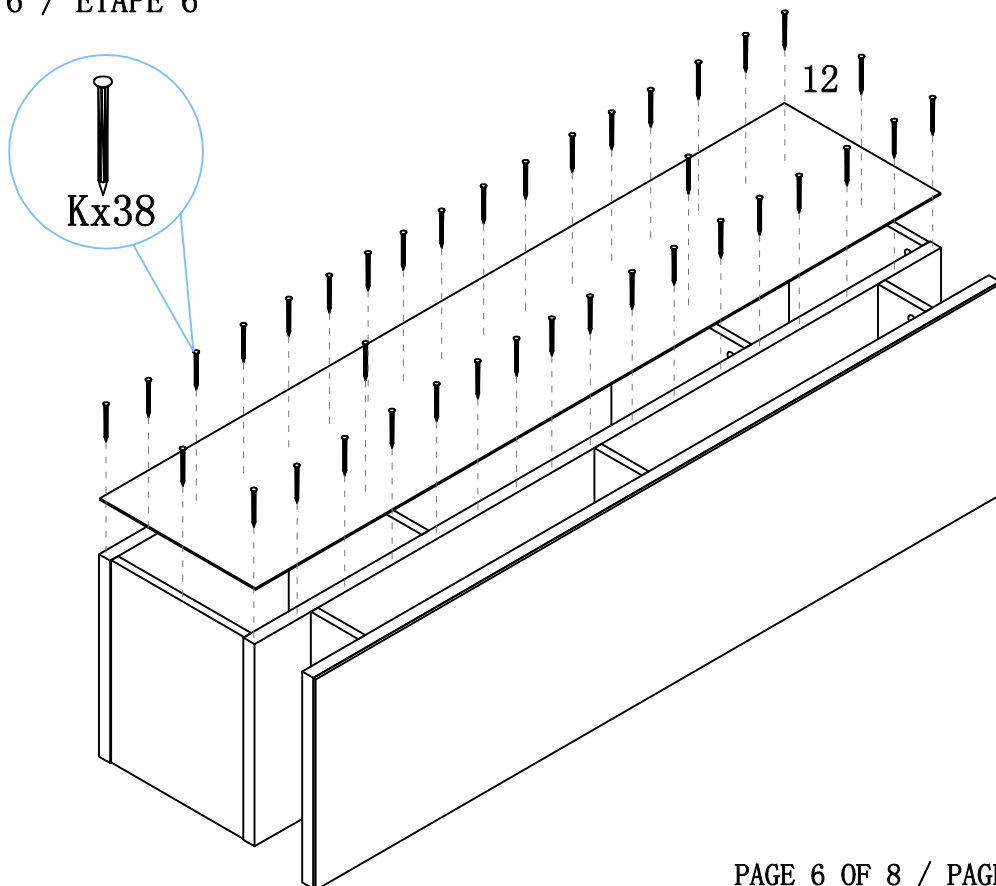


ITEM NO/NO ARTICLE: ADB78TV/192543-78

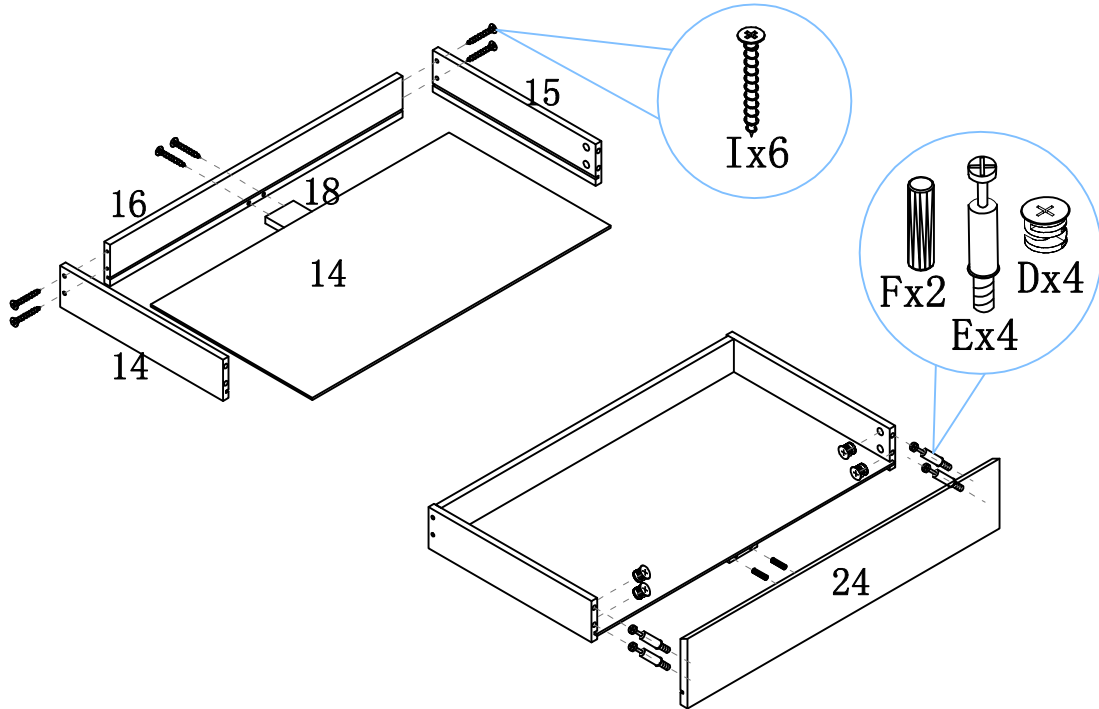


STEP 5 / ETAPE 5

STEP 6 / ETAPE 6

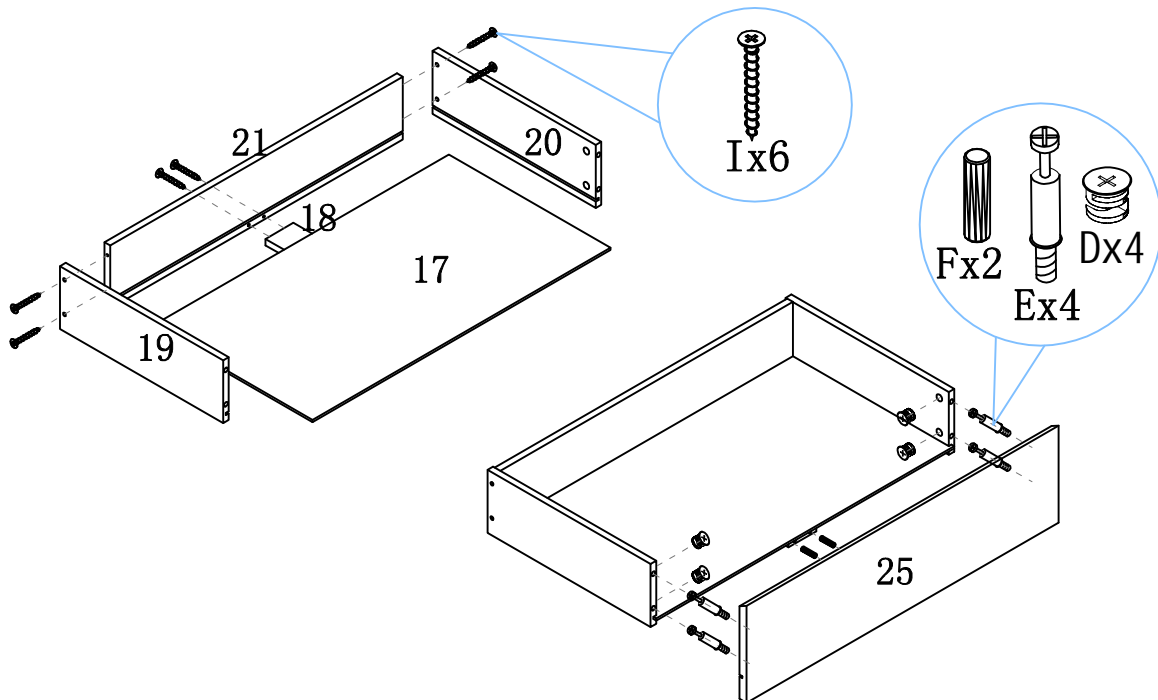


ITEM NO/NO ARTICLE: ADB78TV/192543-78

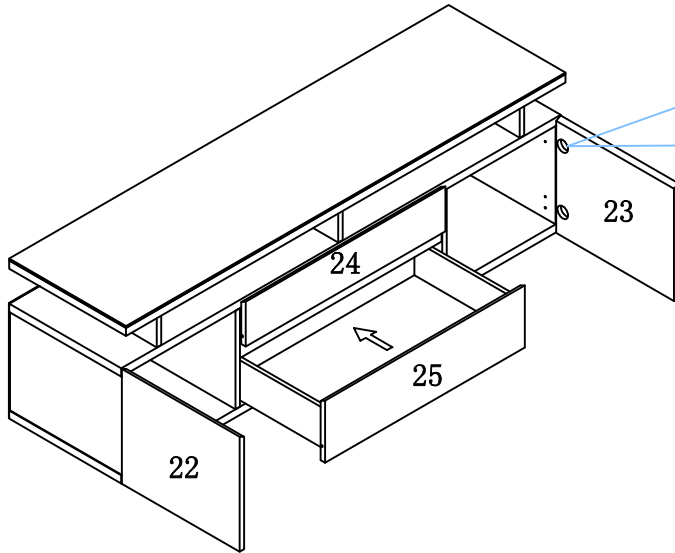


STEP 7 / ETAPE 7

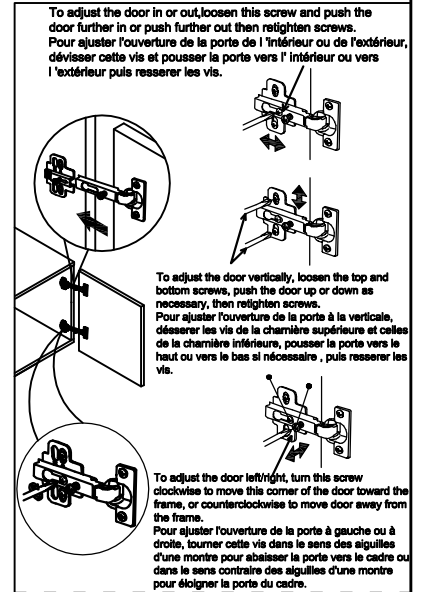
STEP 8 / ETAPE 8



ITEM NO/NO ARTICLE: ADB78TV/192543-78



STEP 9 / ETAPE 9



STEP 10 / ETAPE 10

