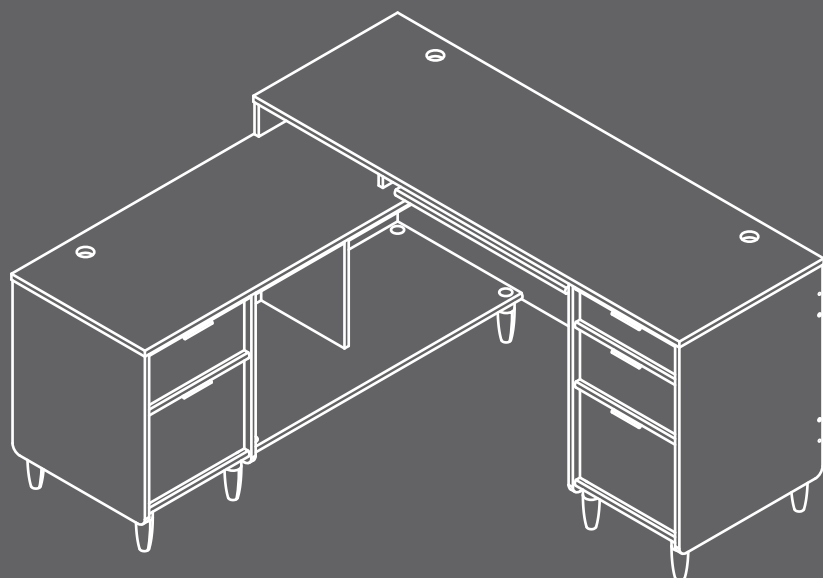


sauder.com



Assembly
Instructions for
Return on Left

L-Shaped Desk

Clifford Place Collection | **Model 433361**

Need help? Visit Sauder.com to view video assembly tips or chat with a live rep.
Prefer the phone? Call 1-800-445-1527.

Share your journey!



NOTE: THIS INSTRUCTION BOOKLET CONTAINS **IMPORTANT** SAFETY INFORMATION.

PLEASE READ AND KEEP FOR FUTURE REFERENCE.

English pg 1-58
Français pg 59-65
Español pg 66-72

Lot #: **577124**

Date Purchased: _____

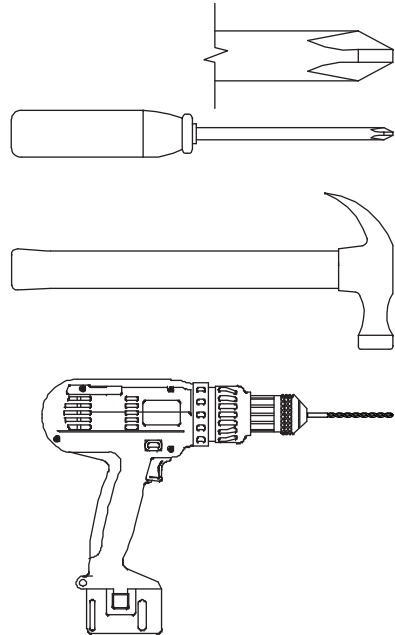
01/17/22

Be sure to give us a ring before making any returns. 1-800-445-1527

Table of Contents

Assembly Tools Required

Part Identification	2-3
Hardware Identification	4-5
Assembly Steps	6-58
Français	59-65
Español	66-72
Safety	73-74
Warranty	75



No. 2 Phillips Screwdriver
Tip Shown Actual Size

Hammer
Not actual size 😊

Electric drill with 3/16" bit
(ONLY in indicated step)

Part Identification

Now you know
our ABCs.

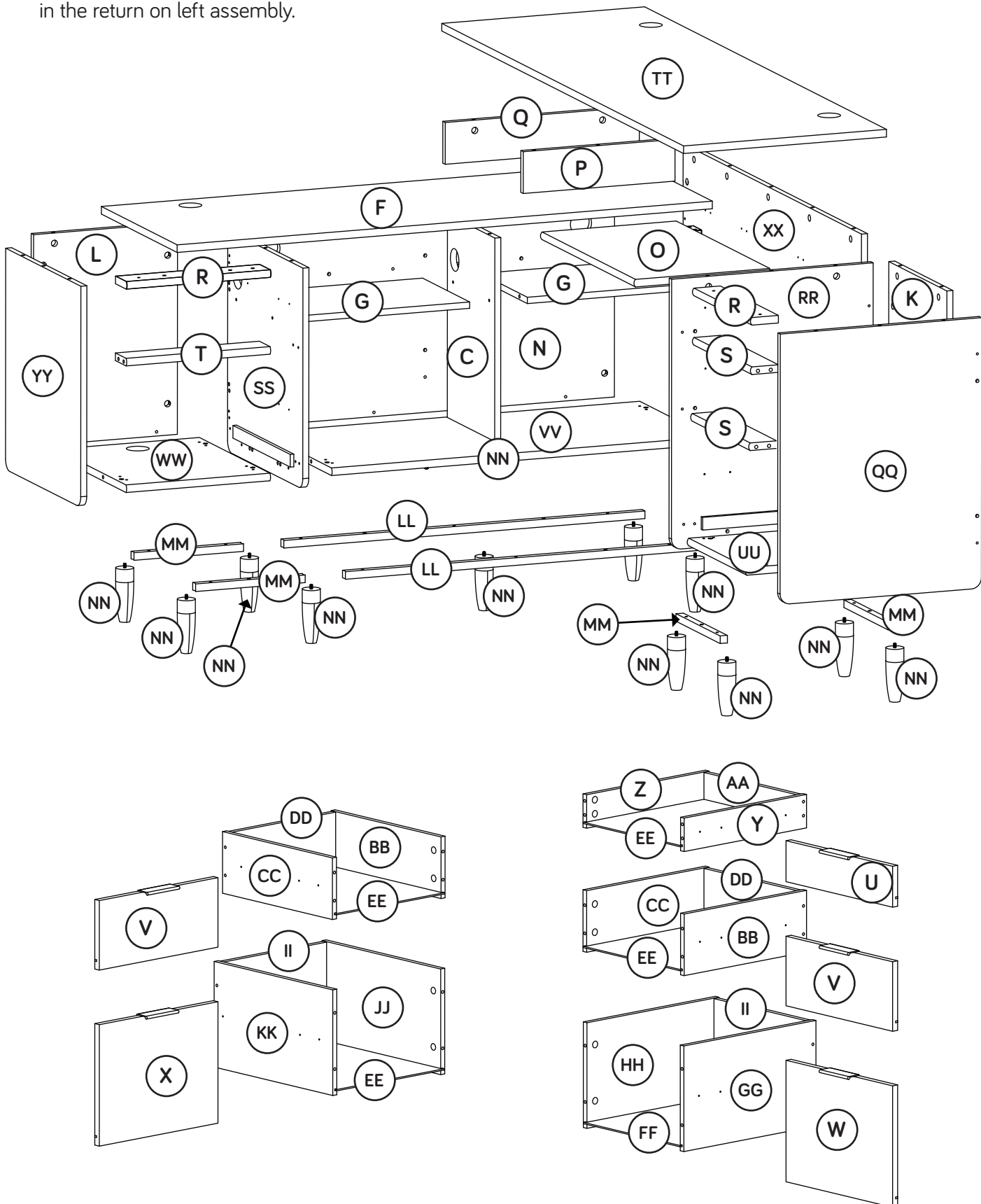


⚠ While not all parts are labeled, some of the parts will have a label or an inked letter on the edge to help distinguish similar parts from each other. Use this part identification to help identify similar parts.

C	UPRIGHT (1)	W	LARGE DRAWER FRONT (1)	KK	RETURN LEFT DRAWER SIDE (1)
F	RETURN TOP (1)	X	RETURN DRAWER FRONT (1)	LL	LONG BOTTOM RAIL (2)
G	SHELF (2)	Y	SMALL RIGHT DRAWER SIDE (1)	MM	BOTTOM RAIL (4)
K	SMALL BACK (1)	Z	SMALL LEFT DRAWER SIDE (1)	NN	FOOT (11)
L	RETURN SMALL BACK (1)	AA	SMALL DRAWER BACK (1)	QQ	RIGHT END (1)
N	RETURN BACK (1)	BB	RIGHT DRAWER SIDE (2)	RR	LEFT END (1)
O	KEYBOARD SHELF (1)	CC	LEFT DRAWER SIDE (2)	SS	RETURN UPRIGHT (1)
P	SHORT UPRIGHT (1)	DD	DRAWER BACK (2)	TT	TOP (1)
Q	LONG UPRIGHT (1)	EE	DRAWER BOTTOM (4)	UU	SMALL BOTTOM (1)
R	TOP RAIL (2)	FF	LARGE DRAWER BOTTOM (1)	VV	BOTTOM (1)
S	BRACE (2)	GG	LARGE RIGHT DRAWER SIDE (1)	WW	RETURN SMALL BOTTOM (1)
T	RETURN BRACE (1)	HH	LARGE LEFT DRAWER SIDE (1)	XX	BACK (1)
U	SMALL DRAWER FRONT (1)	II	LARGE DRAWER BACK (2)	YY	RETURN LEFT END (1)
V	DRAWER FRONT (2)	JJ	RETURN RIGHT DRAWER SIDE (1)	ZZ	RETURN RIGHT END (1)

Part Identification

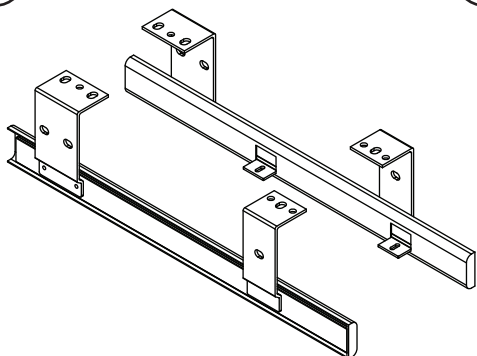
† NOTE: Part ZZ will not be used in the return on left assembly.



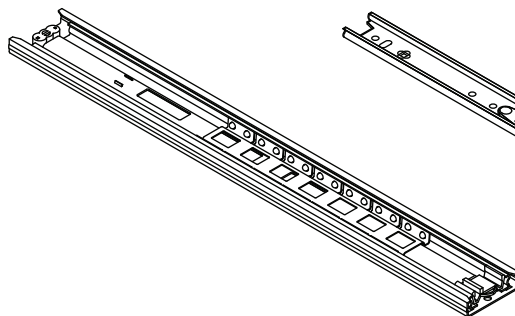
Hardware Identification

† Screws are shown actual size. You may receive extra hardware with your unit.

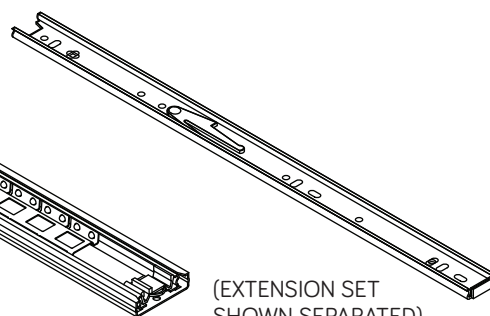
1 SHELF SLIDER SET - 1



2 LONG EXTENSION RAIL - 2

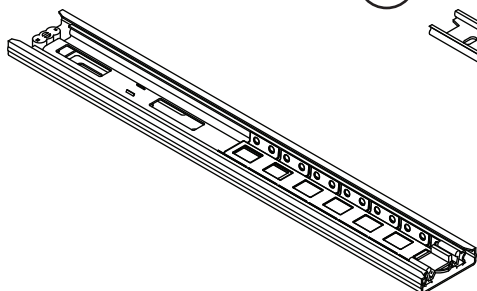


3 LONG EXTENSION SLIDE - 2

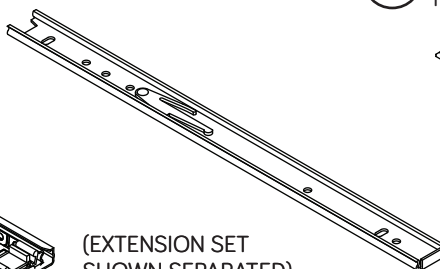


(EXTENSION SET SHOWN SEPARATED)

4 EXTENSION RAIL - 2

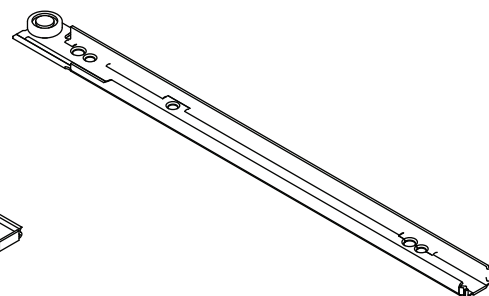


5 EXTENSION SLIDE - 2

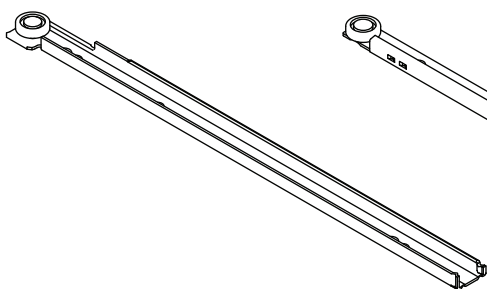


(EXTENSION SET SHOWN SEPARATED)

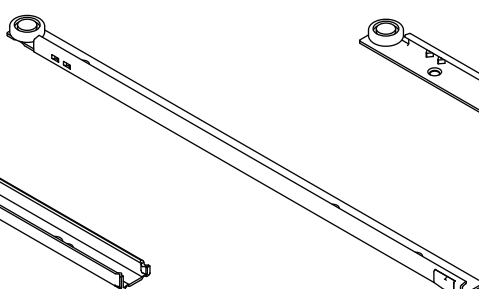
6 RIGHT CABINET RAIL - 3



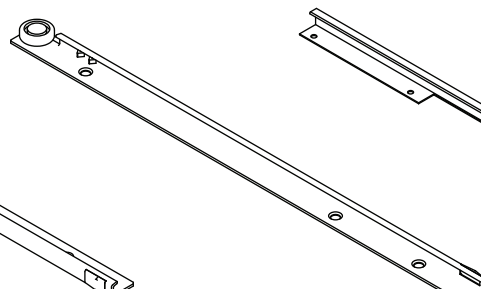
7 LEFT CABINET RAIL - 3



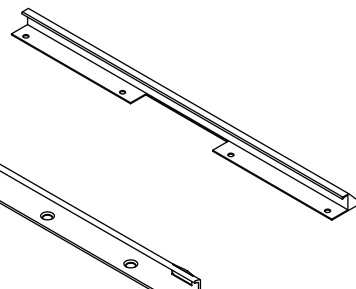
8 RIGHT DRAWER SLIDE - 3



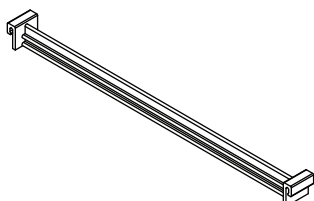
9 LEFT DRAWER SLIDE - 3



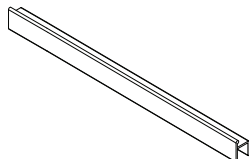
10 FRONT FILE GLIDE - 1



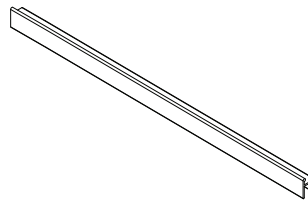
11 FILE HANGER - 4



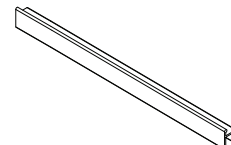
12 BACK FILE GLIDE - 1



13 LONG FILE GLIDE - 2



14 SHORT FILE GLIDE - 2



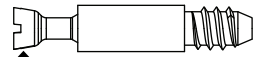
Hardware Identification

† Screws are shown actual size. You may receive extra hardware with your unit.

15 LARGE HIDDEN CAM - 57



16 ANGLED HEAD CAM SCREW - 57

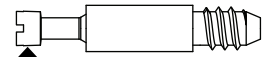


Angled head

17 SMALL HIDDEN CAM - 20



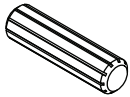
18 STRAIGHT HEAD CAM SCREW - 20



Straight head

(Do not open parts 17 and 18 until you are ready to assemble the drawers.)

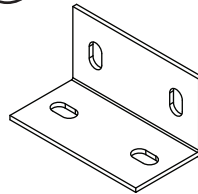
19 LONG WOOD DOWEL - 40



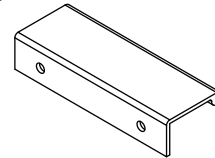
20 SHORT WOOD DOWEL - 12



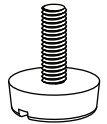
21 BRACKET - 2



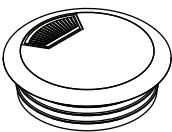
22 PULL - 5



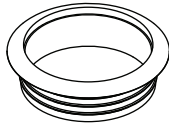
23 ADJUSTABLE GLIDE - 11



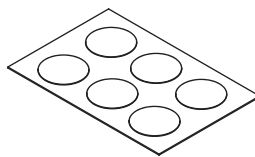
24 GROMMET WITH CAP - 4



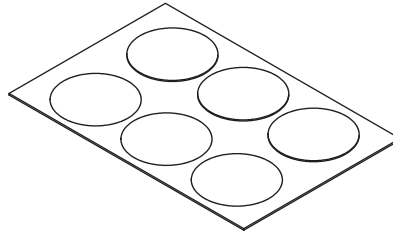
25 GROMMET - 4



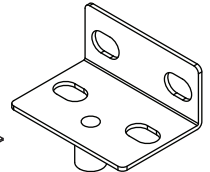
26 APPLIQUE CARD - 1



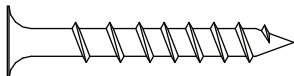
27 LARGE APPLIQUE CARD - 1



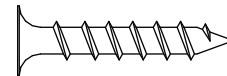
35 LEG BRACKET - 10



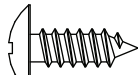
28 BLACK 1-1/2" FLAT HEAD SCREW - 44



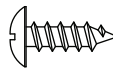
29 BLACK 1-1/8" FLAT HEAD SCREW - 18



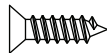
30 BLACK 5/8" LARGE HEAD SCREW - 4



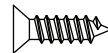
31 BLACK 1/2" PAN HEAD SCREW - 40



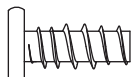
32 BLACK 1/2" FLAT HEAD SCREW - 36



33 SILVER 1/2" FLAT HEAD SCREW - 10



34 9/16" WAFER HEAD SCREW - 40



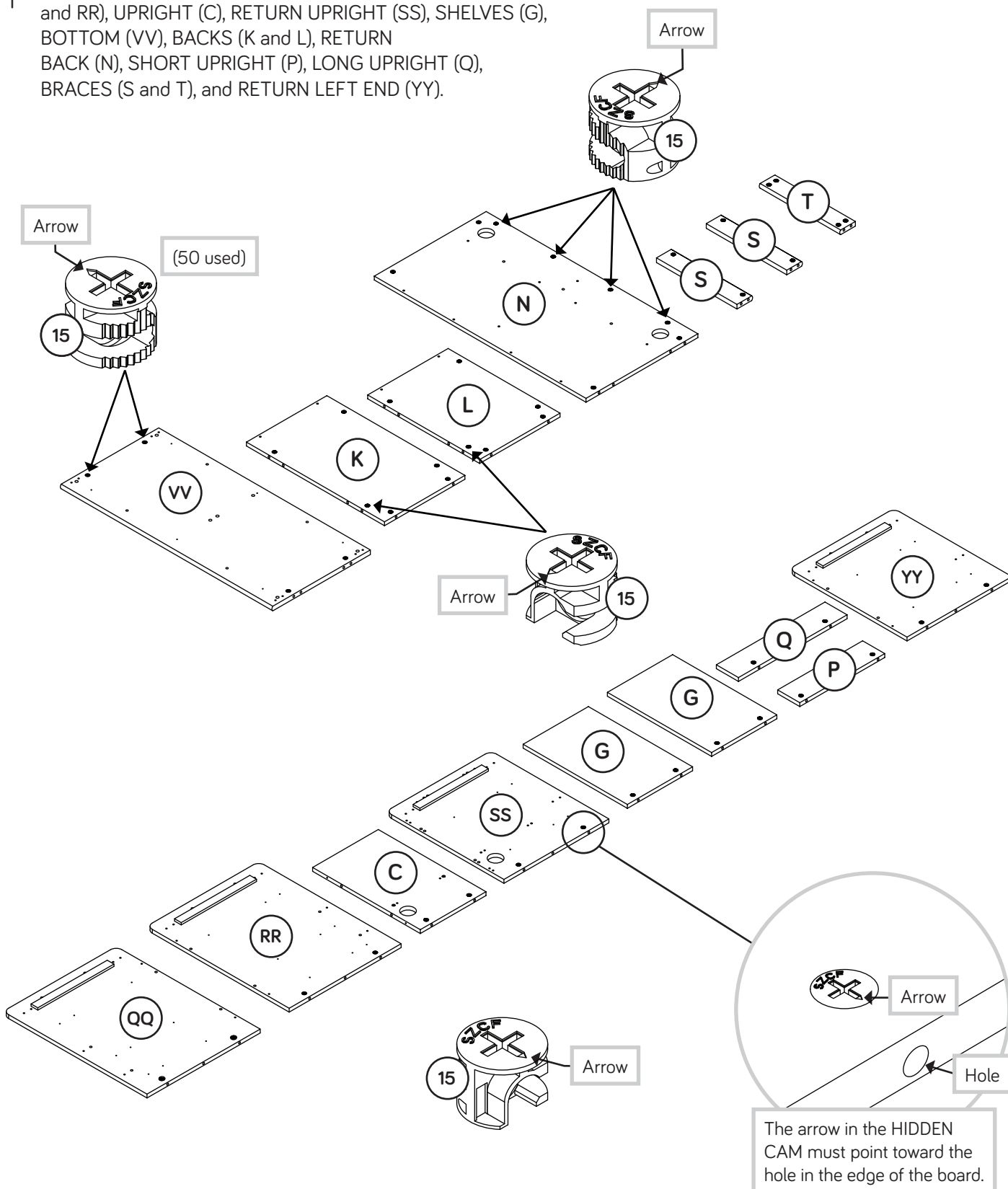
Step 1

Look for this icon. It means a video assembly tip is available at www.sauder.com/services/tips



Assemble your unit on a carpeted floor or on the empty carton to avoid scratching your unit or the floor.

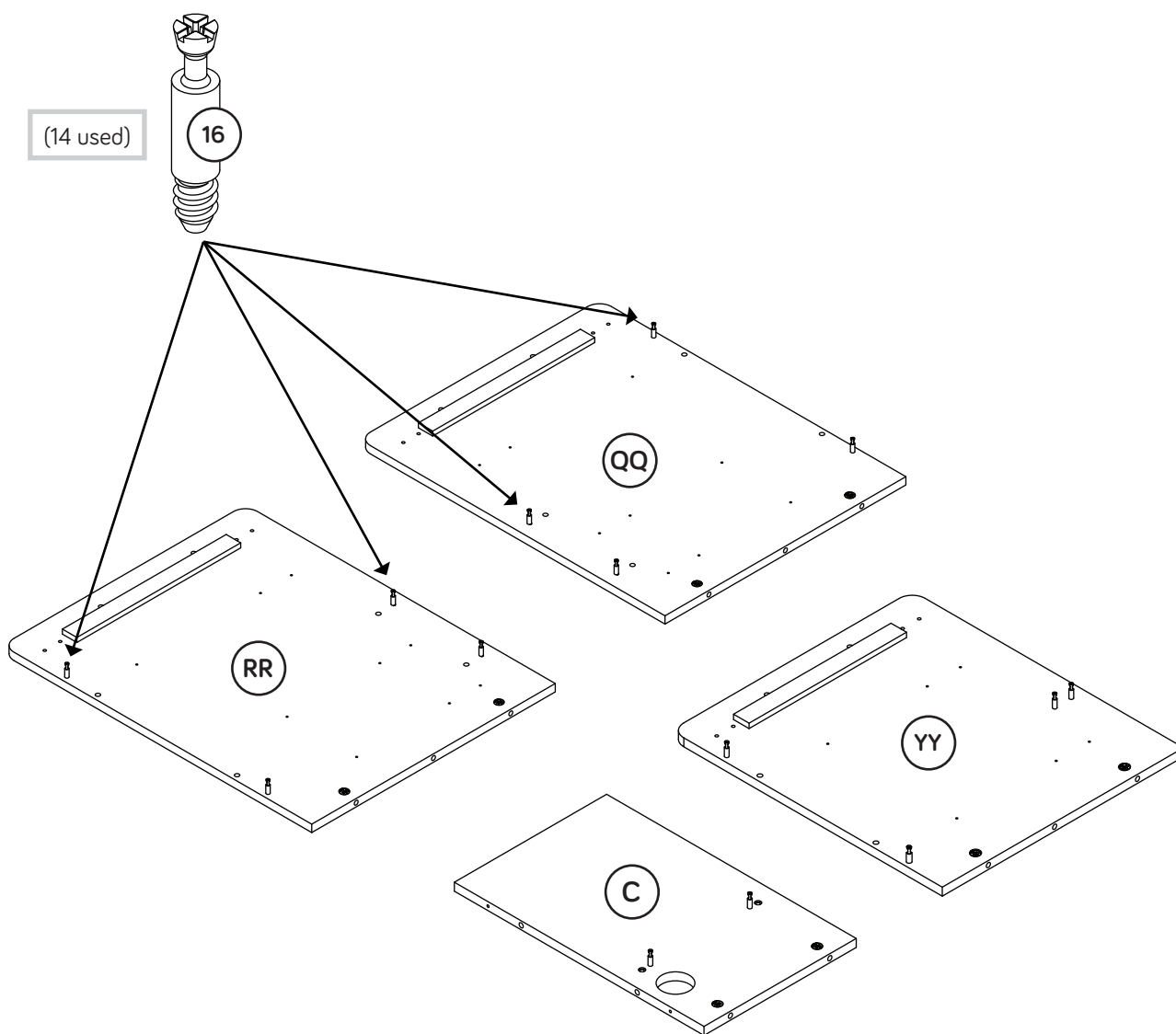
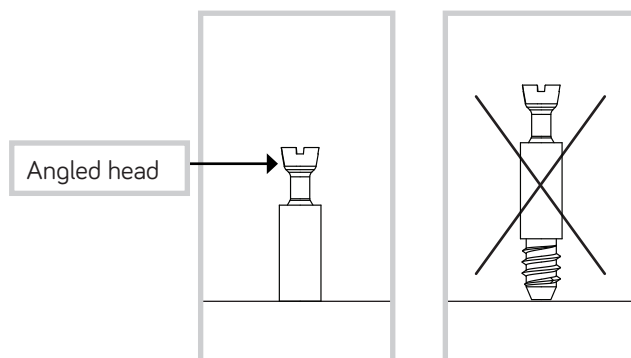
Push fifty HIDDEN CAMS (15) into the ENDS (QQ and RR), UPRIGHT (C), RETURN UPRIGHT (SS), SHELVES (G), BOTTOM (VV), BACKS (K and L), RETURN BACK (N), SHORT UPRIGHT (P), LONG UPRIGHT (Q), BRACES (S and T), and RETURN LEFT END (YY).



Step 2

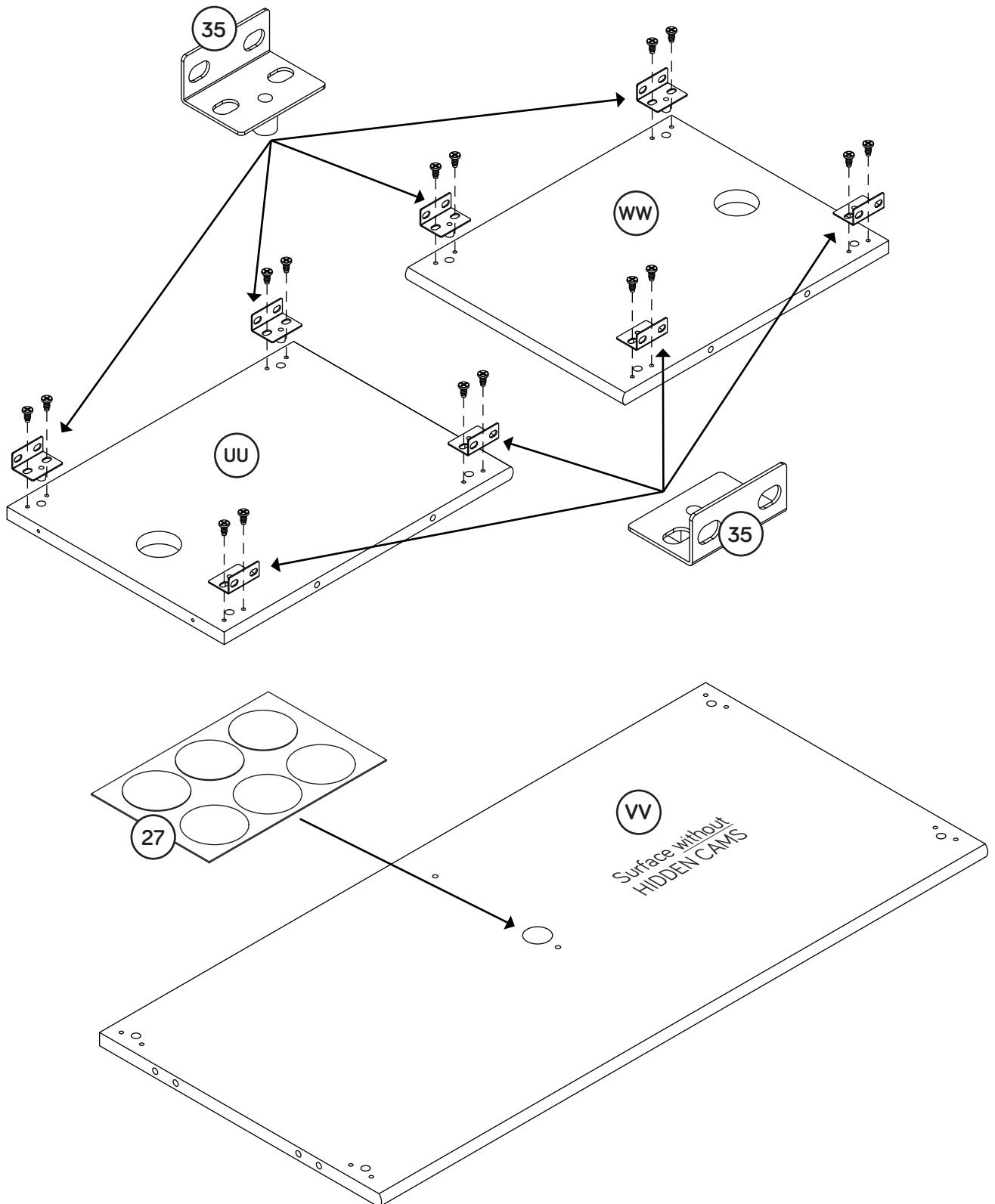
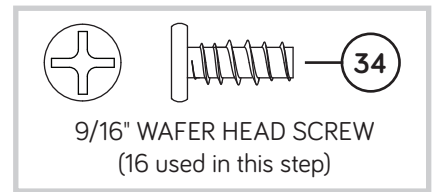


- Turn fourteen ANGLED HEAD CAM SCREWS (16) into the exact holes shown in the ENDS (QQ and RR), UPRIGHT (C), and RETURN LEFT END (YY).




Step 3

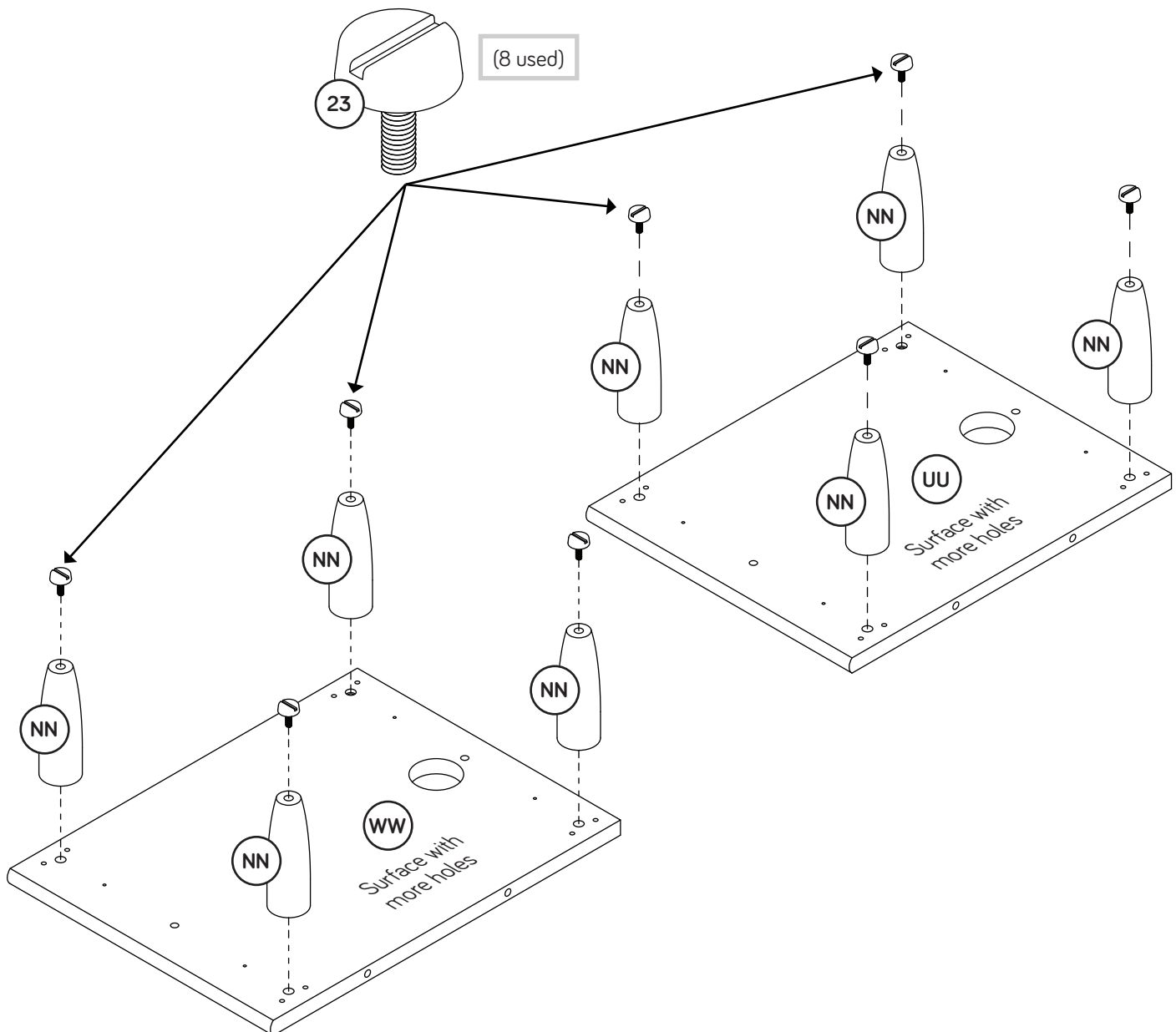
- Fasten eight LEG BRACKETS (35) to the SMALL BOTTOMS (UU and WW). Use sixteen 9/16" WAFER HEAD SCREWS (34).
- Peel a STICKER from the LARGE APPLIQUE CARD (27) and place it over the large hole in the BOTTOM (VV).



Step 4

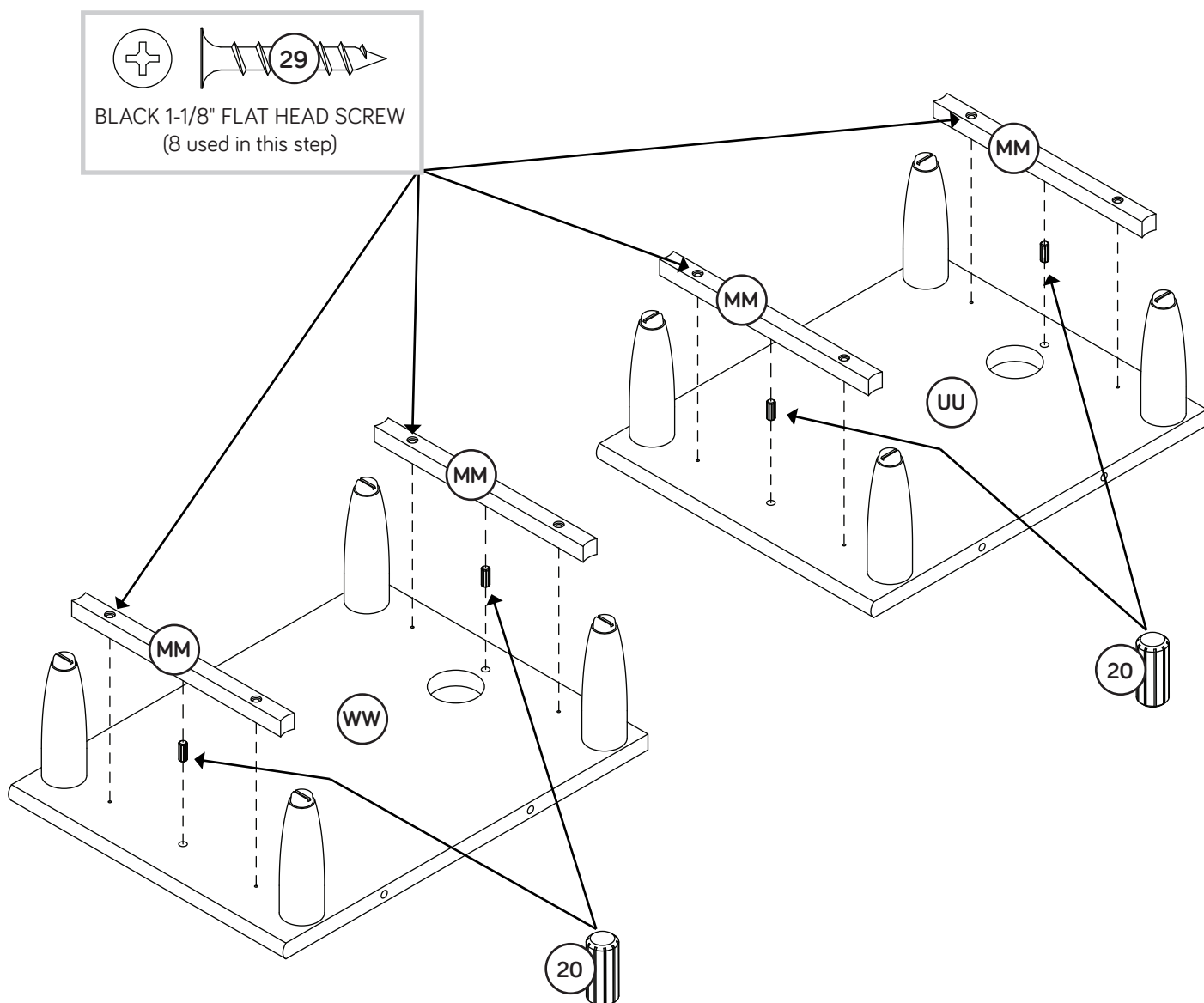
- ✚ Turn eight FEET (NN) into the SMALL BOTTOMS (UU and WW).
- ✚ NOTE: Do not overtighten the FEET.
- ✚ Then, turn eight ADJUSTABLE GLIDES (23) into the FEET (NN).
- ✚ NOTE: Turn the ADJUSTABLE GLIDES completely in. Final adjustments will be made after the unit is standing upright.

 Some assembly (and snacks) required.



Step 5

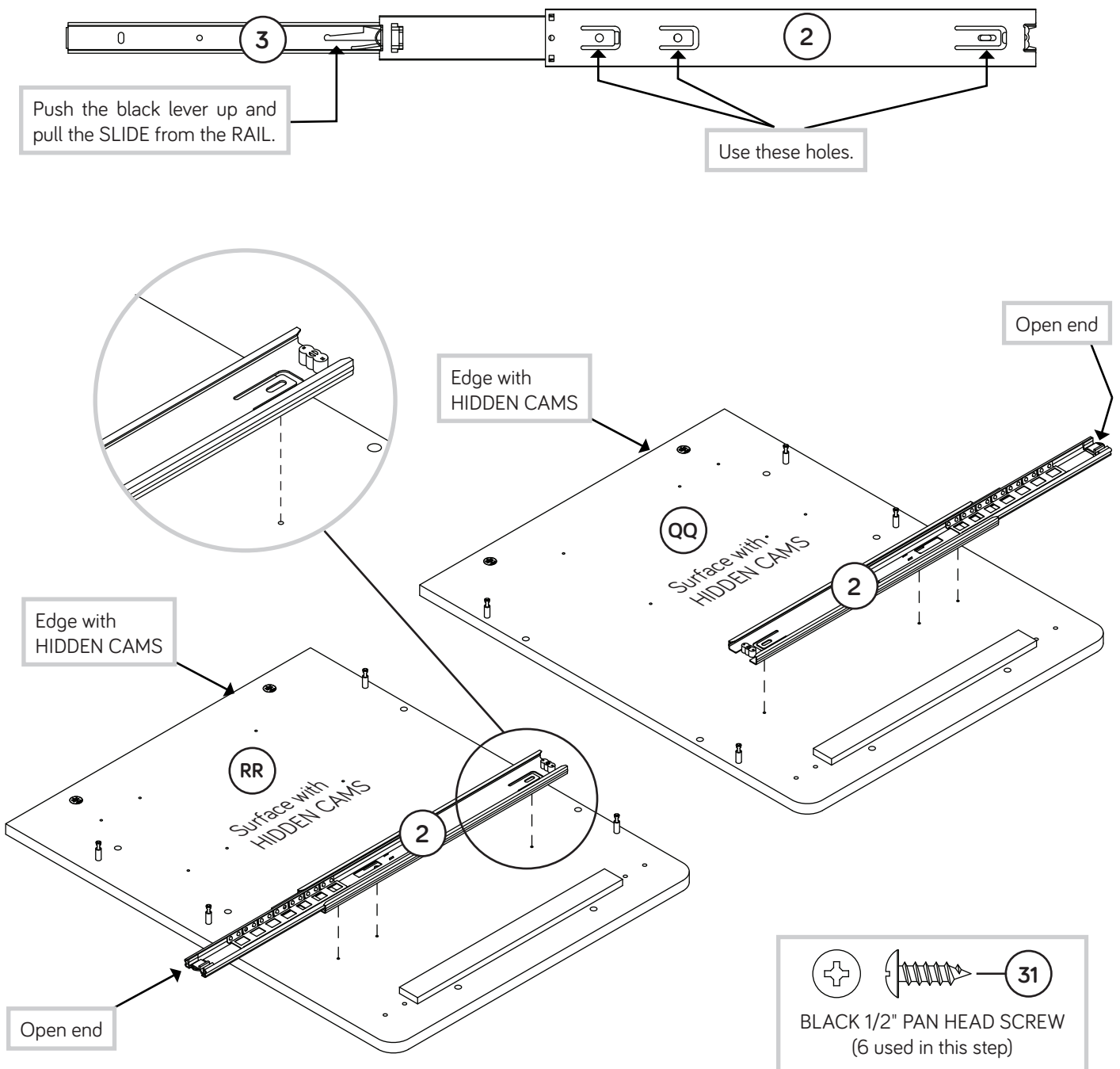
- ✚ Insert four SHORT WOOD DOWELS (20) into the SMALL BOTTOMS (UU and WW).
- ✚ Fasten four BOTTOM RAILS (MM) to the SMALL BOTTOMS (UU and WW). Use eight BLACK 1-1/8" FLAT HEAD SCREWS (29).
- ✚ **NOTE:** Be sure the SHORT WOOD DOWELS in the SMALL BOTTOMS insert into the BOTTOM RAILS.



Step 6

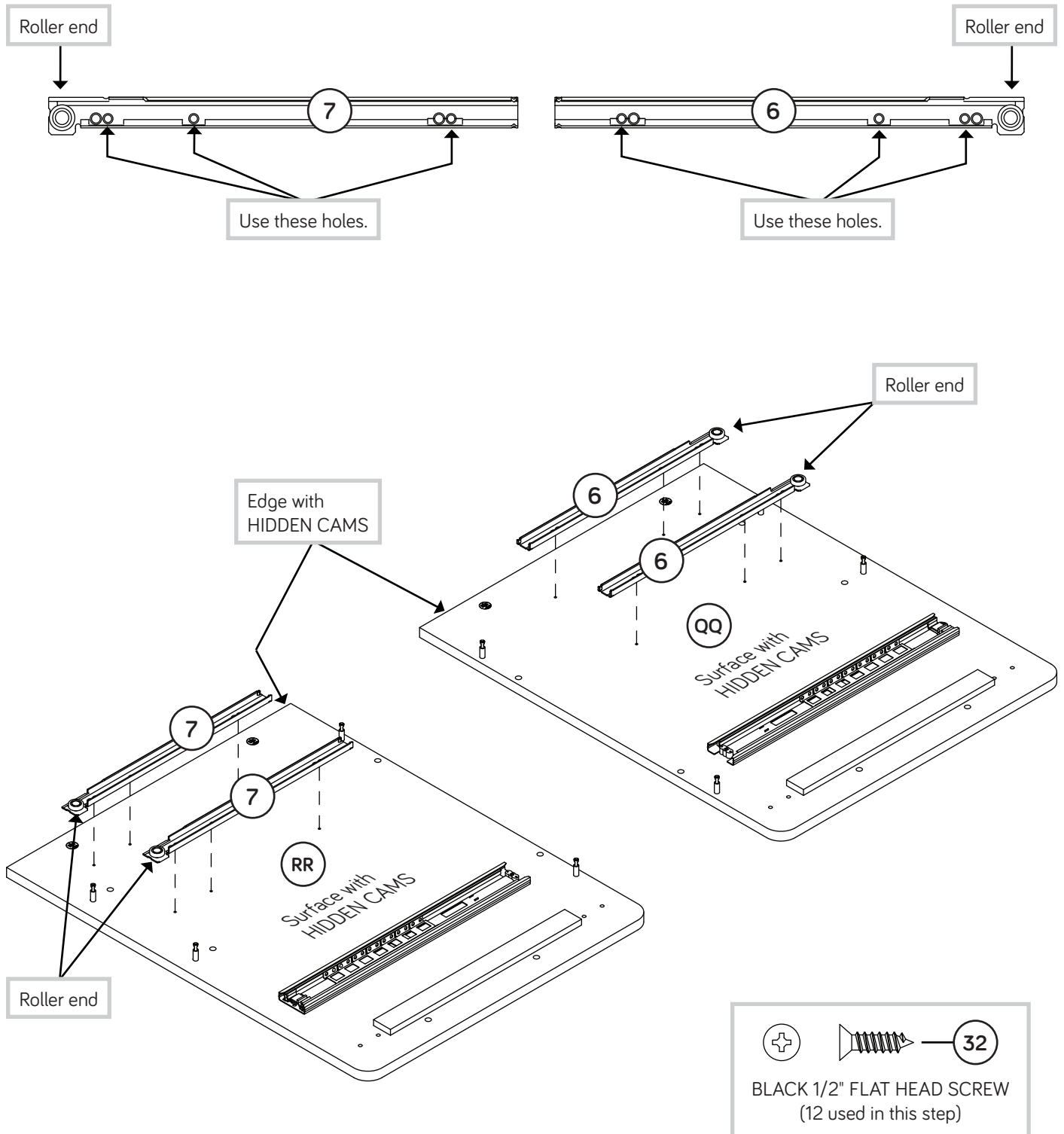


- ✚ Separate the LONG EXTENSION SLIDES (3) from the LONG EXTENSION RAILS (2) as shown in the enlarged diagram below. Be prepared, the parts are greasy.
- ✚ Fasten two LONG EXTENSION RAILS (2) to the ENDS (QQ and RR). Use six BLACK 1/2" PAN HEAD SCREWS (31).
- ✚ **NOTE:** For each EXTENSION RAIL, turn a SCREW into the hole shown in the enlarged diagram. Then, slide the inner cartridge of the EXTENSION RAIL in to find the other holes that lines up with the holes in the ENDS. Turn a SCREW into this hole.
- ✚ **NOTE:** The LONG EXTENSION SLIDES will be used later for the LARGE DRAWER.



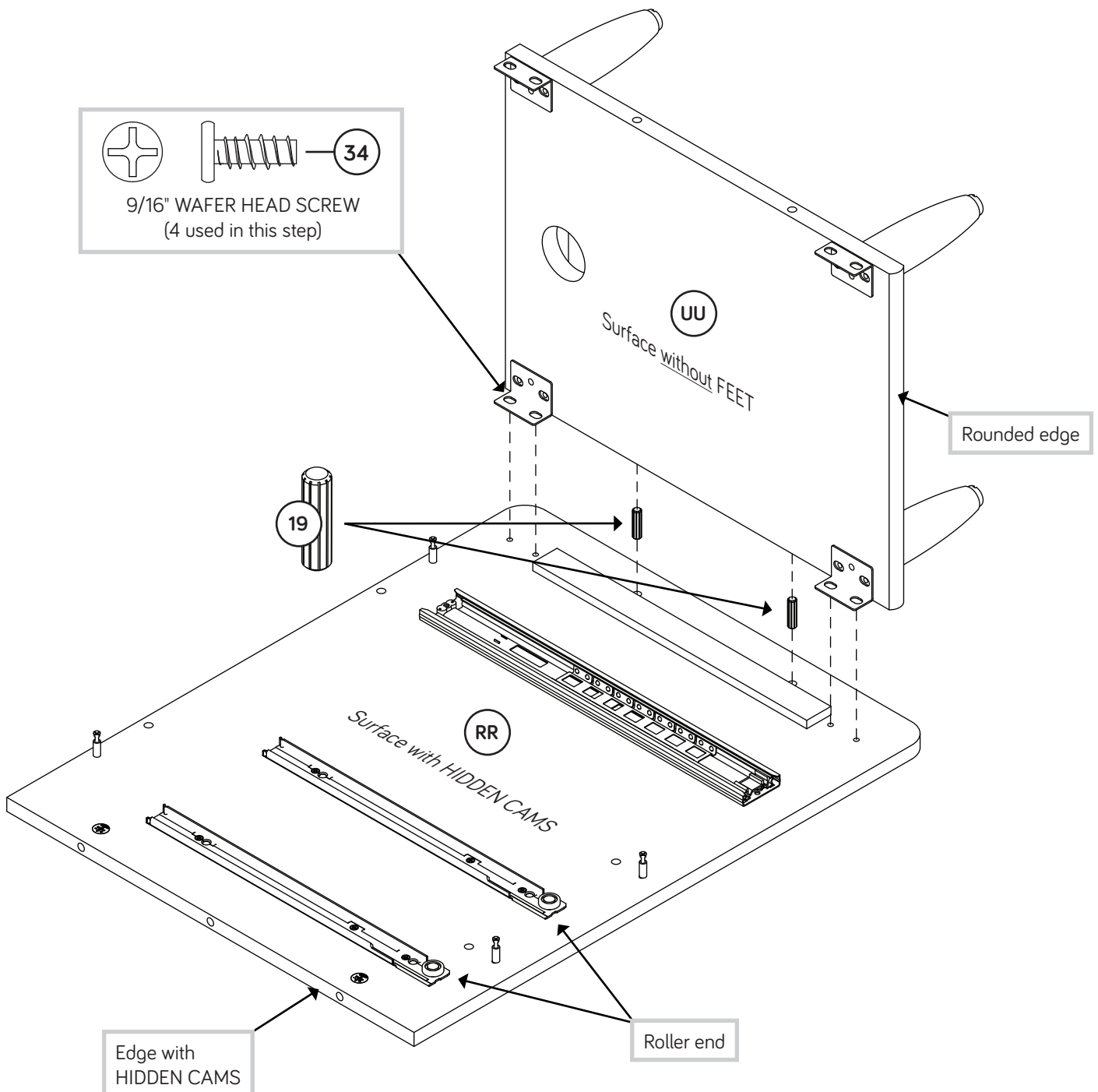
Step 7

Fasten the CABINET RAILS (6 and 7) to the ENDS (QQ and RR). Use twelve BLACK 1/2" FLAT HEAD SCREWS (32).



Step 8

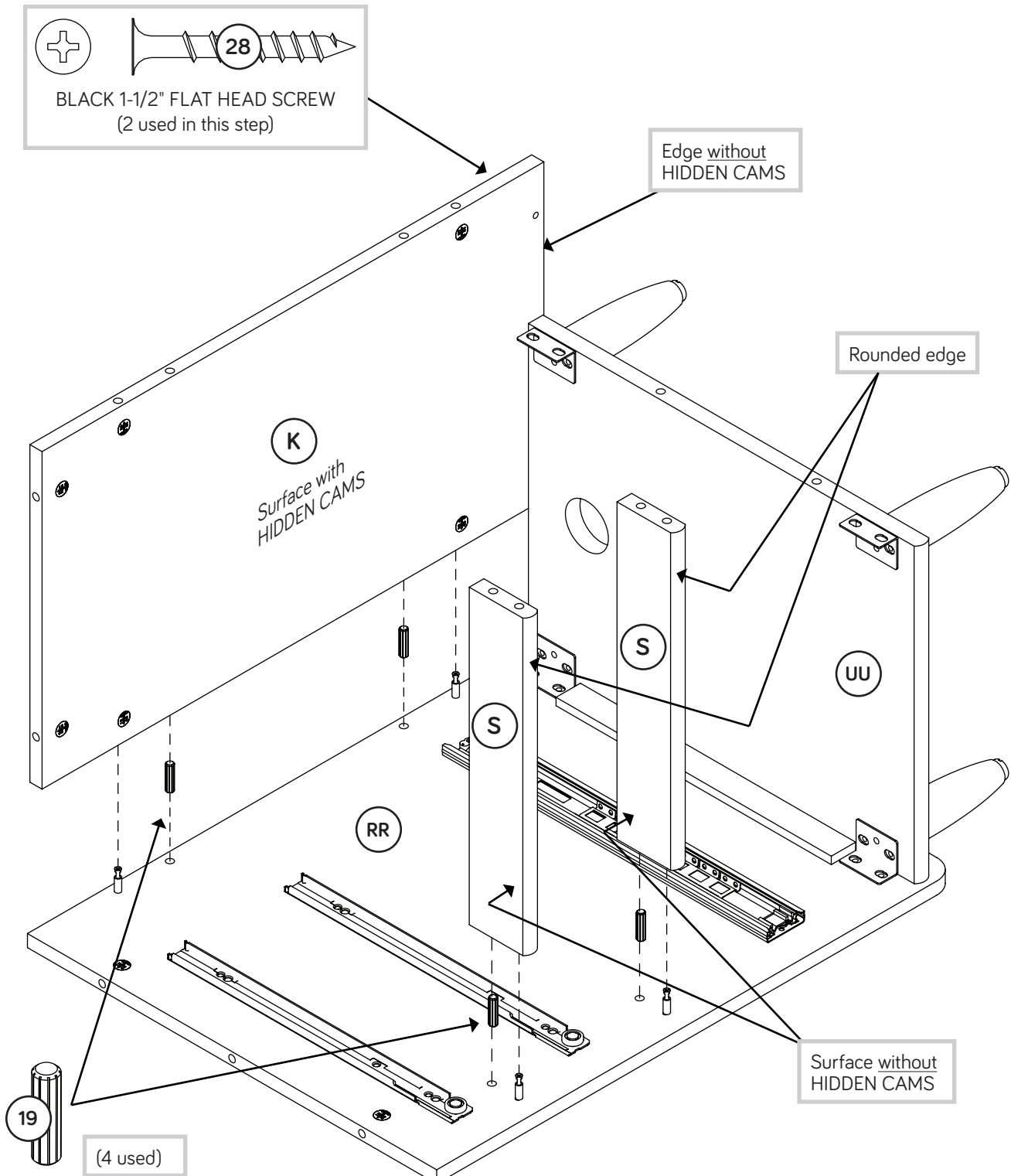
- ✚ Insert two LONG WOOD DOWELS (19) into the exact holes shown in the LEFT END (RR).
- ✚ Fasten the SMALL BOTTOM (UU) to the LEFT END (RR). Use four 9/16" WAFER HEAD SCREWS (34) through the LEG BRACKETS on the SMALL BOTTOM (UU) and into the LEFT END.
- ✚ **NOTE:** Be sure the WOOD DOWELS in the LEFT END insert into the holes in the SMALL BOTTOM.



Step 9



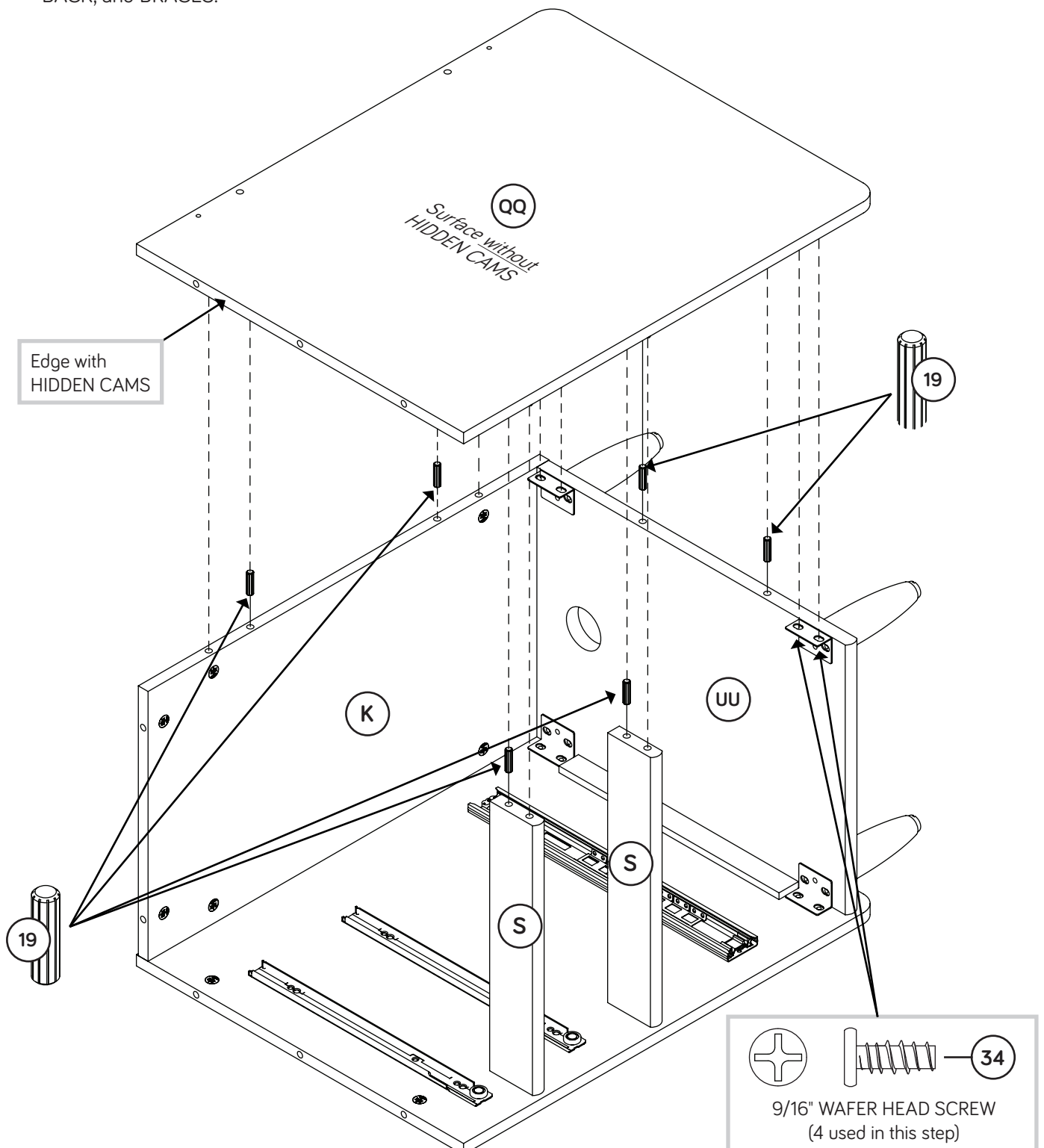
- ✚ Insert four LONG WOOD DOWELS (19) into the exact holes shown in the LEFT END (RR).
- ✚ Fasten the SMALL BACK (K) and the BRACES (S) to the LEFT END (RR). Tighten four HIDDEN CAMS.
- ✚ **NOTE:** Be sure the LONG WOOD DOWELS in the LEFT END insert into the SMALL BACK and BRACES.
- ✚ Fasten the SMALL BACK (K) to the SMALL BOTTOM (UU). Use two BLACK 1-1/2" FLAT HEAD SCREWS (28).



Step 10



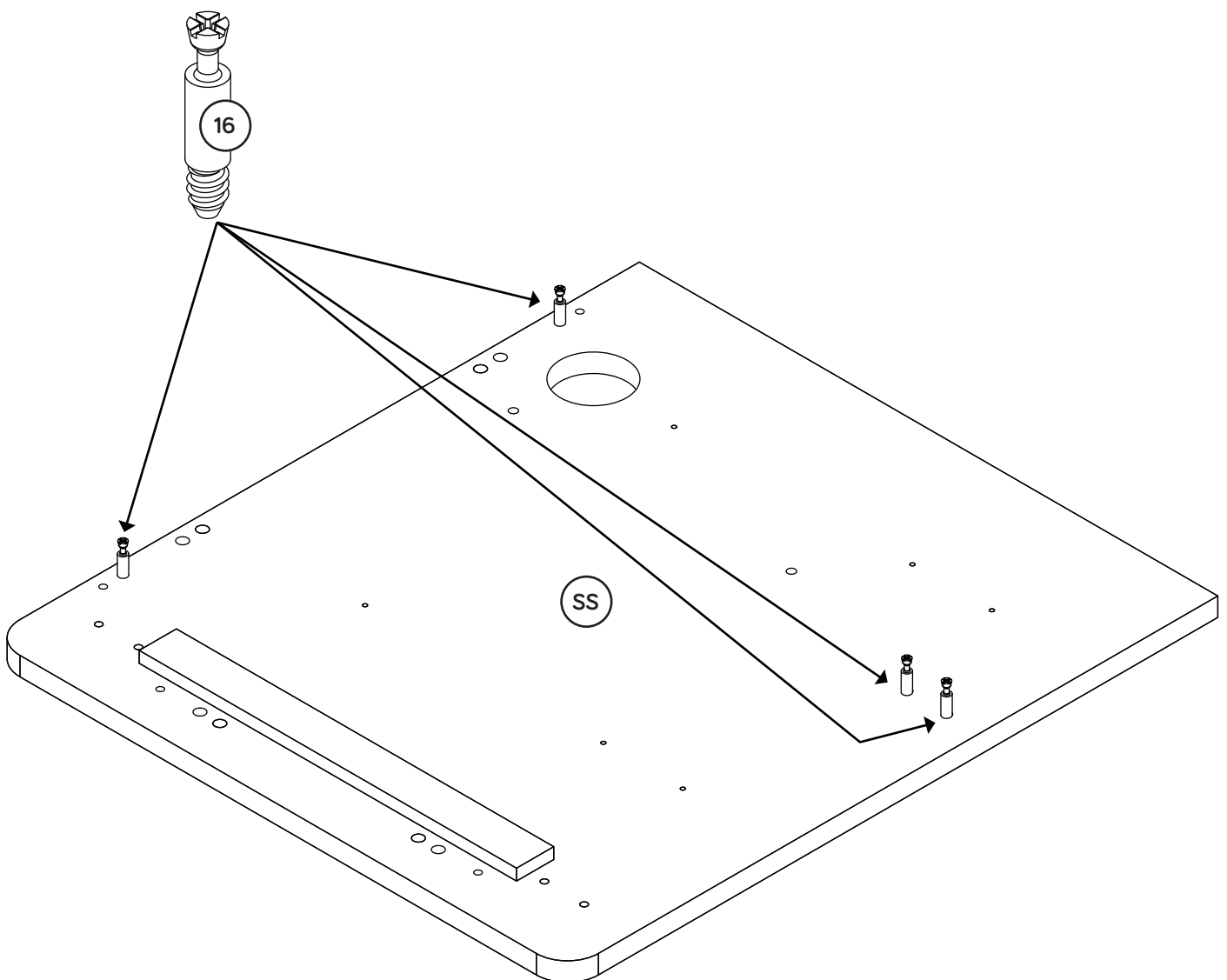
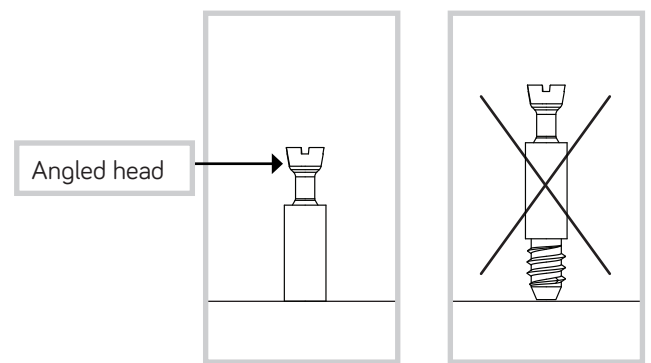
- ✚ Insert six LONG WOOD DOWELS (19) into the RIGHT END (QQ).
- ✚ Fasten the RIGHT END (QQ) to the SMALL BACK (K) and BRACES (S). Tighten four HIDDEN CAMS.
- ✚ Fasten the RIGHT END (QQ) to the SMALL BOTTOM (UU). Use four 9/16" WAFER HEAD SCREWS (34) through the LEG BRACKETS on the SMALL BOTTOM and into the RIGHT END.
- ✚ **NOTE:** Be sure the LONG WOOD DOWELS in the RIGHT END insert into the holes in the SMALL BOTTOM, SMALL BACK, and BRACES.



Step 11



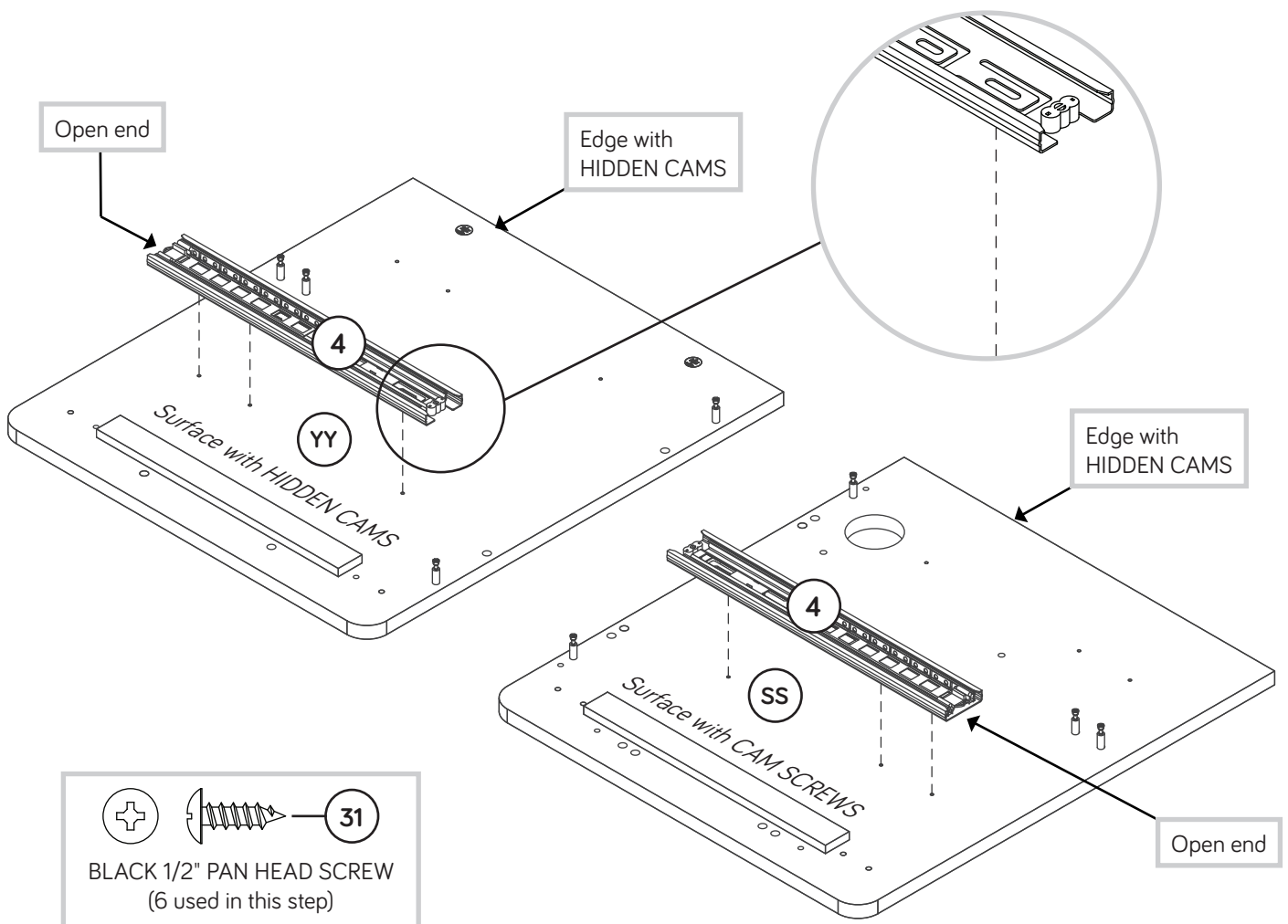
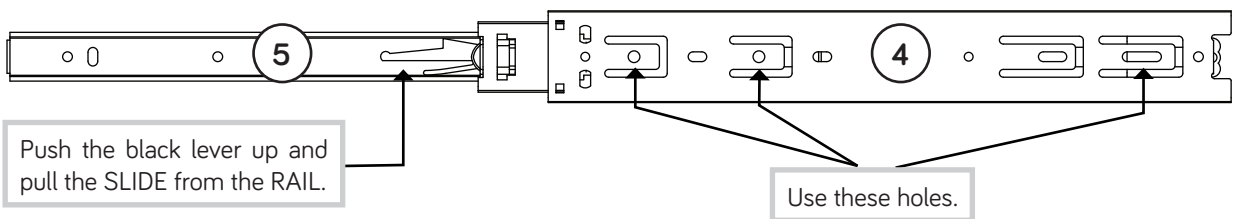
Turn four ANGLED HEAD CAM SCREWS (16) into the exact holes shown in the RETURN UPRIGHT (SS).



Step 12

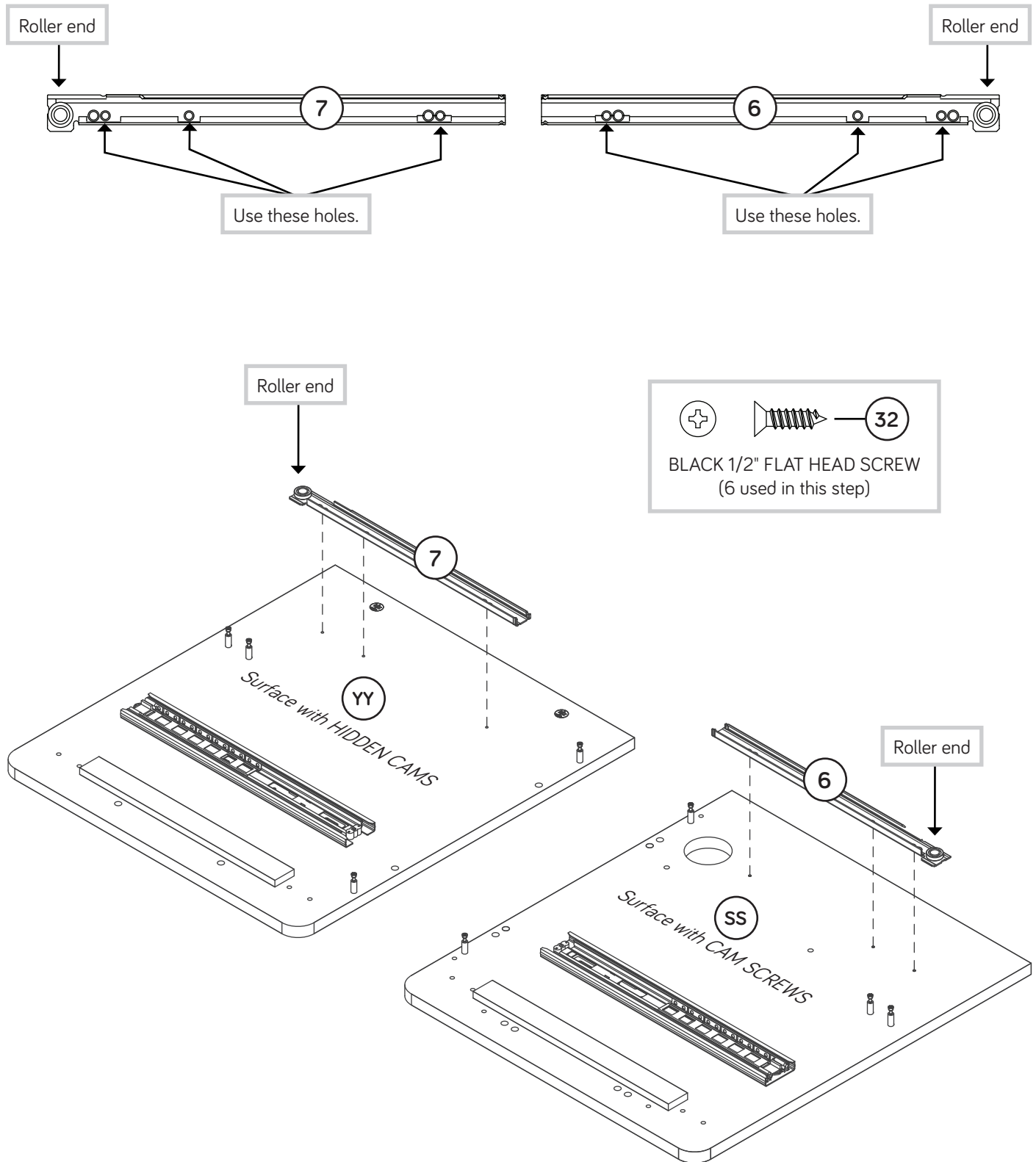


- ✚ Separate the EXTENSION SLIDES (5) from the EXTENSION RAILS (4) as shown in the enlarged diagram below. Be prepared, the parts are greasy.
- ✚ Fasten two EXTENSION RAILS (4) to the RETURN UPRIGHT (SS) and RETURN LEFT END (YY). Use six BLACK 1/2" PAN HEAD SCREWS (31).
- ✚ **NOTE:** For each EXTENSION RAIL, turn a SCREW into the hole shown in the enlarged diagram. Then, slide the inner cartridge of the EXTENSION RAIL in to find the other holes that lines up with the holes in the UPRIGHT and END. Turn a SCREW into this hole.
- ✚ **NOTE:** The EXTENSION SLIDES will be used later for the RETURN DRAWER.



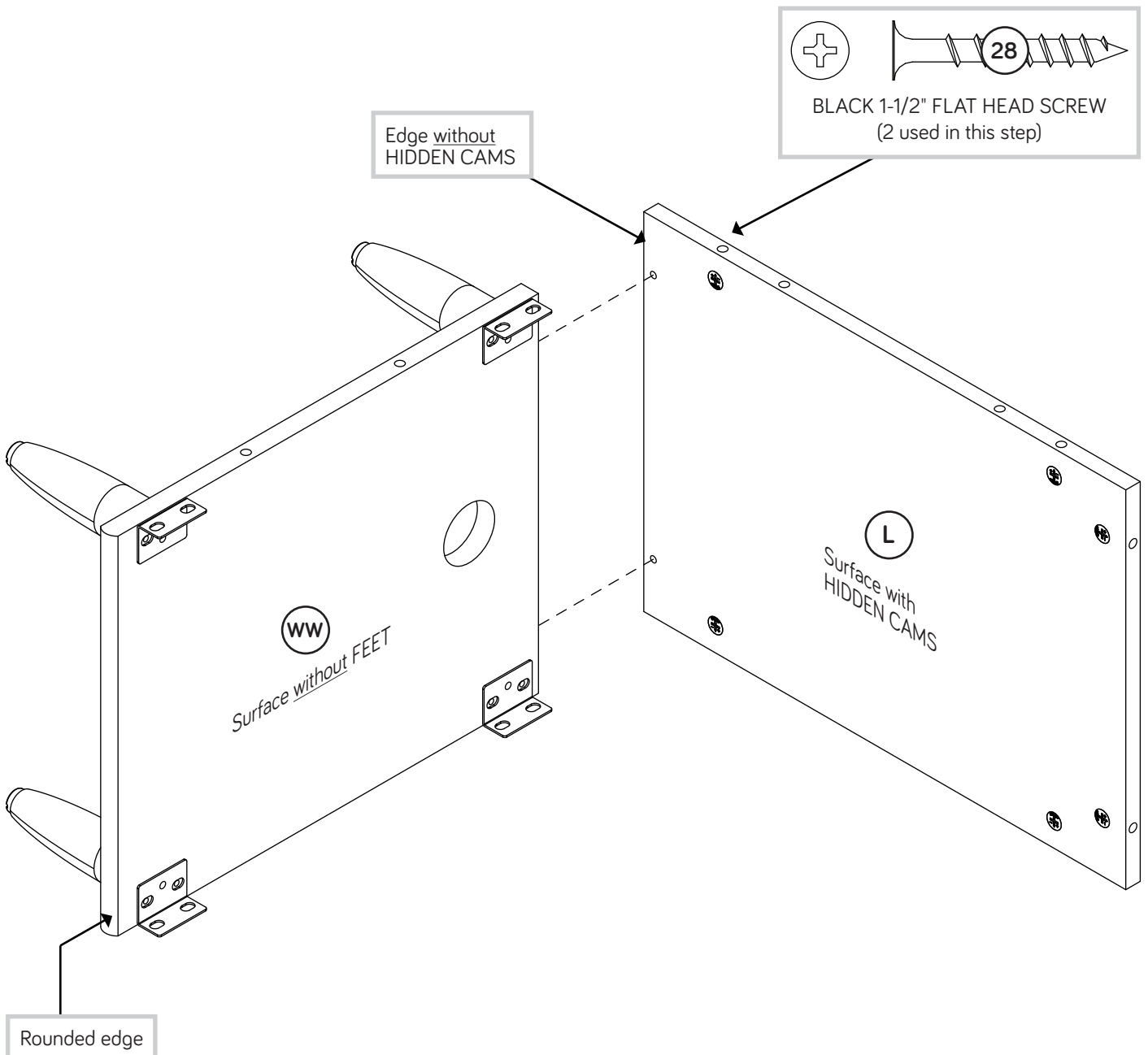
Step 13

- Fasten the CABINET RAILS (6 and 7) to the RETURN UPRIGHT (SS) and RETURN LEFT END (YY). Use six BLACK 1/2" FLAT HEAD SCREWS (32).



Step 14

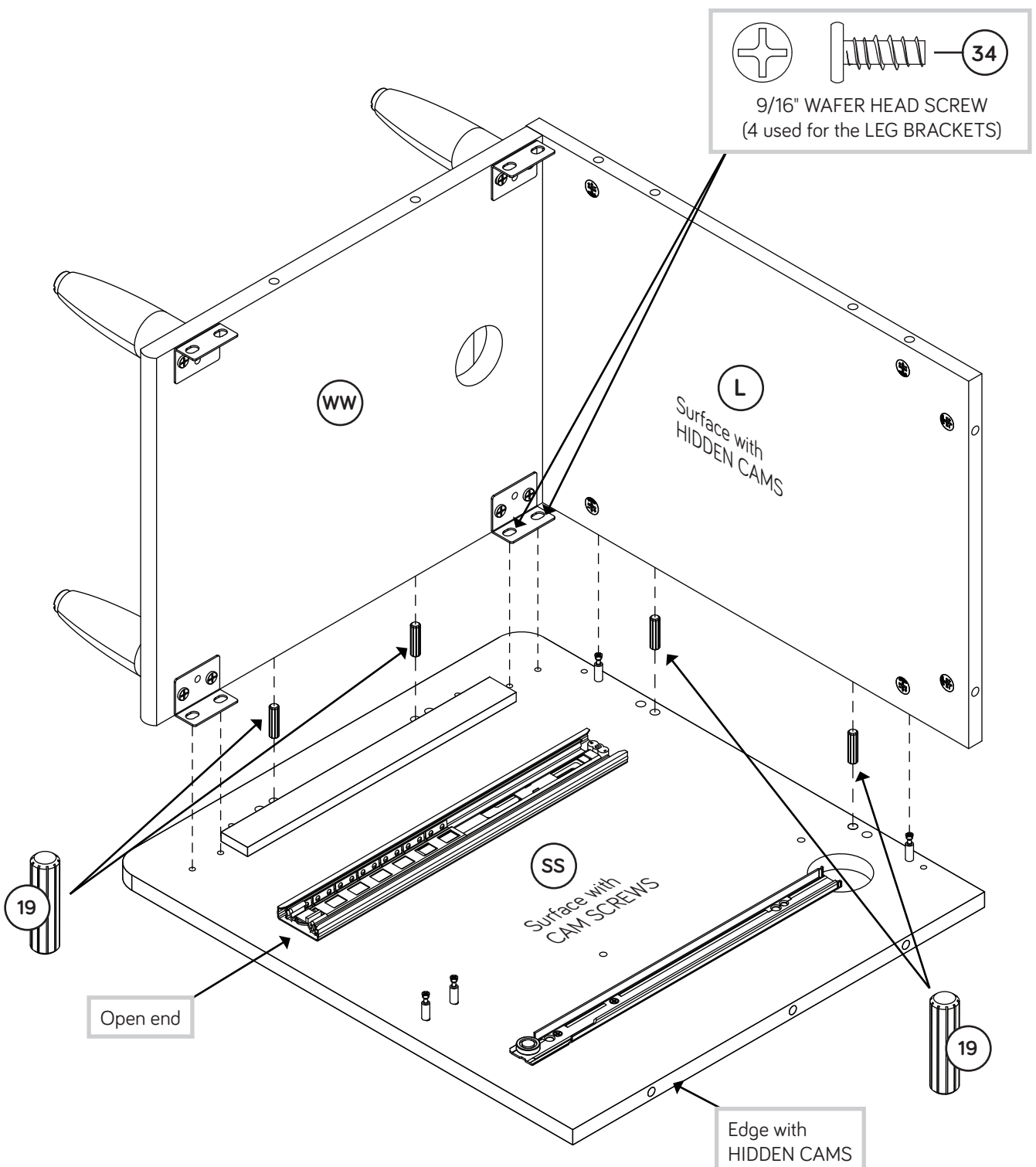
- Fasten the RETURN SMALL BACK (L) to the RETURN SMALL BOTTOM (WW). Use two BLACK 1-1/2" FLAT HEAD SCREWS (28).



Step 15



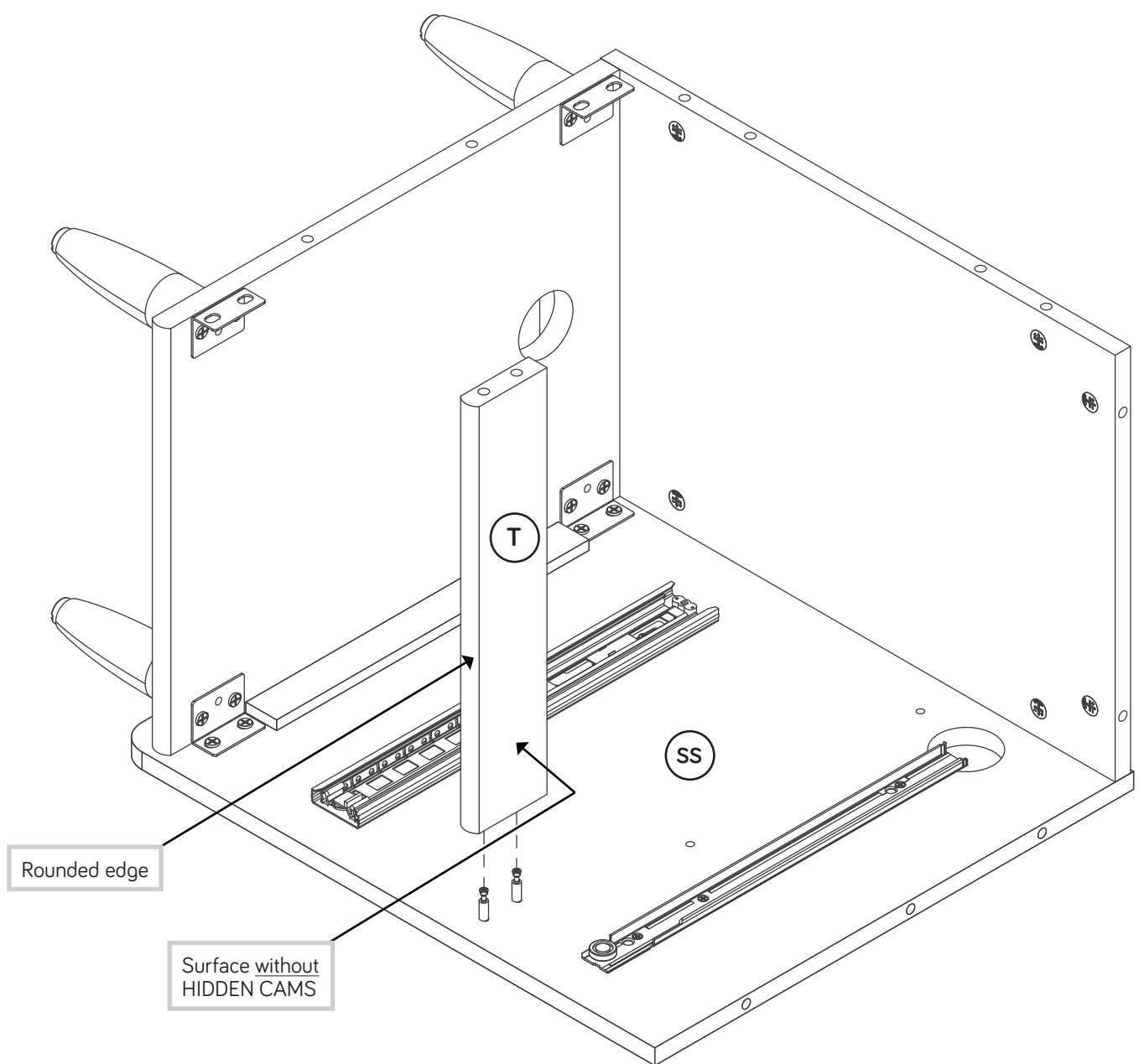
- ✚ Insert four LONG WOOD DOWELS (19) into the exact holes shown in the RETURN UPRIGHT (SS).
- ✚ Fasten the RETURN SMALL BOTTOM (WW) and RETURN SMALL BACK (L) to the RETURN UPRIGHT (SS). Tighten two HIDDEN CAMS and use four 9/16" WAFER HEAD SCREWS (34) through the LEG BRACKETS on the RETURN SMALL BOTTOM and into the RETURN UPRIGHT.
- ✚ **NOTE:** Be sure the LONG WOOD DOWELS in the RETURN UPRIGHT insert into the holes in the RETURN SMALL BOTTOM and RETURN SMALL BACK.



Step 16



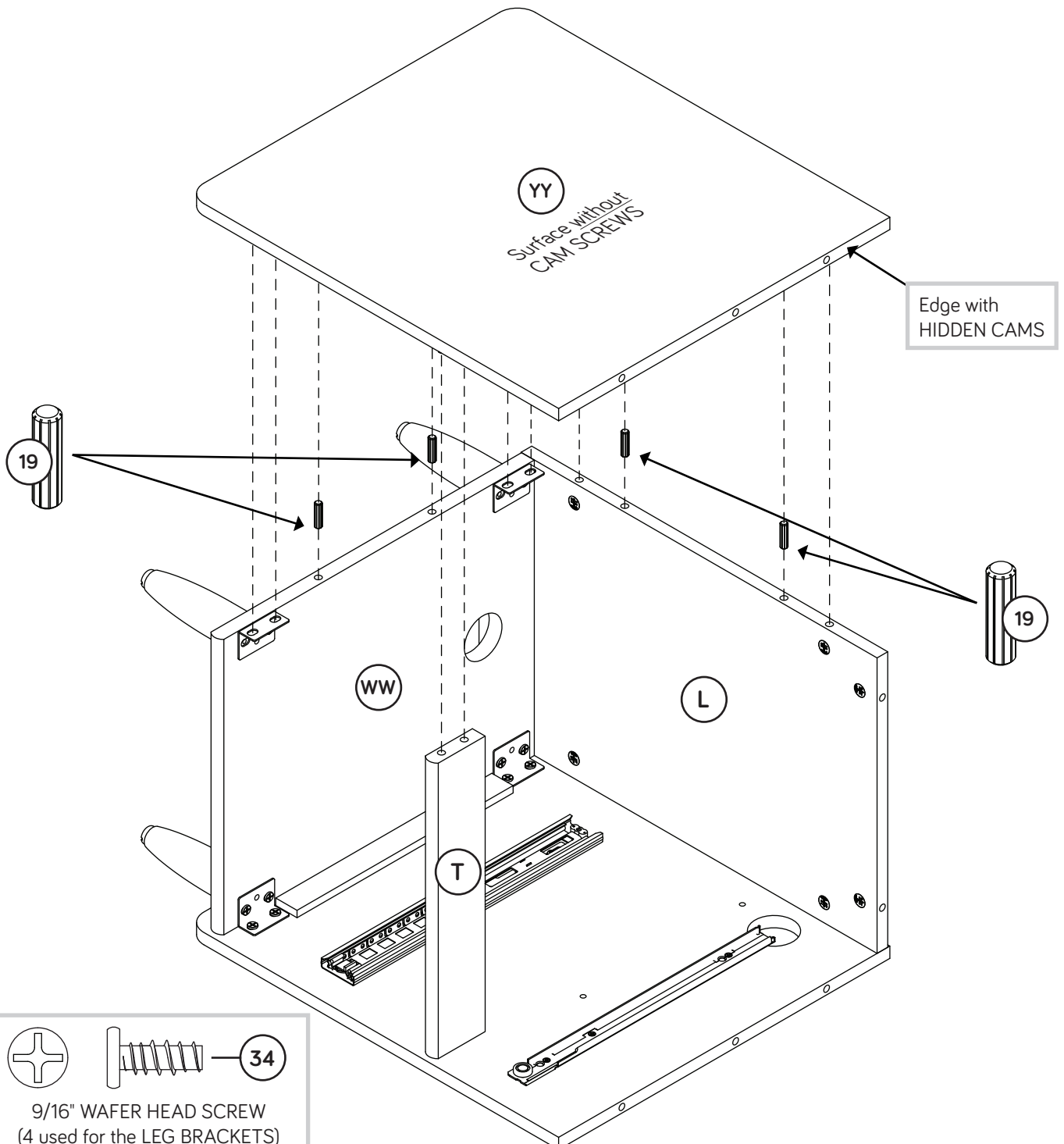
- Fasten the RETURN BRACE (T) to the RETURN UPRIGHT (SS). Tighten two HIDDEN CAMS.



Step 17

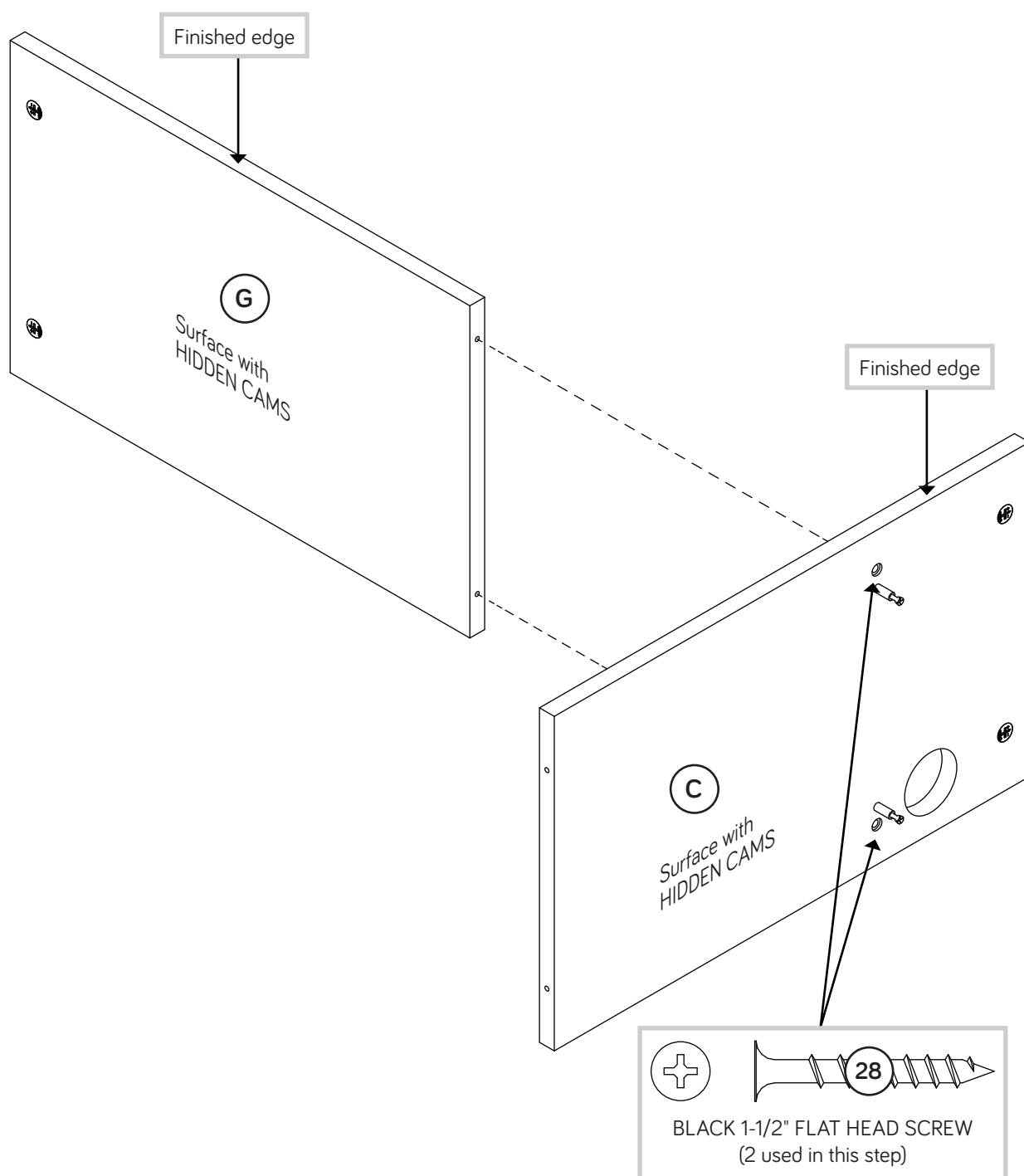


- ✚ Insert four LONG WOOD DOWELS (19) into the RETURN LEFT END (YY).
- ✚ Fasten the RETURN LEFT END (YY) to the RETURN SMALL BACK (L) and RETURN BRACE (T). Tighten four HIDDEN CAMS.
- ✚ Fasten the RETURN LEFT END (YY) to the RETURN SMALL BOTTOM (WW). Use four 9/16" WAFER HEAD SCREWS (34) through the LEG BRACKETS on the RETURN SMALL BOTTOM and into the RETURN LEFT END.
- ✚ **NOTE:** Be sure the LONG WOOD DOWELS in the RETURN LEFT END insert into the holes in the RETURN SMALL BOTTOM, RETURN SMALL BACK, and RETURN BRACE.



Step 18

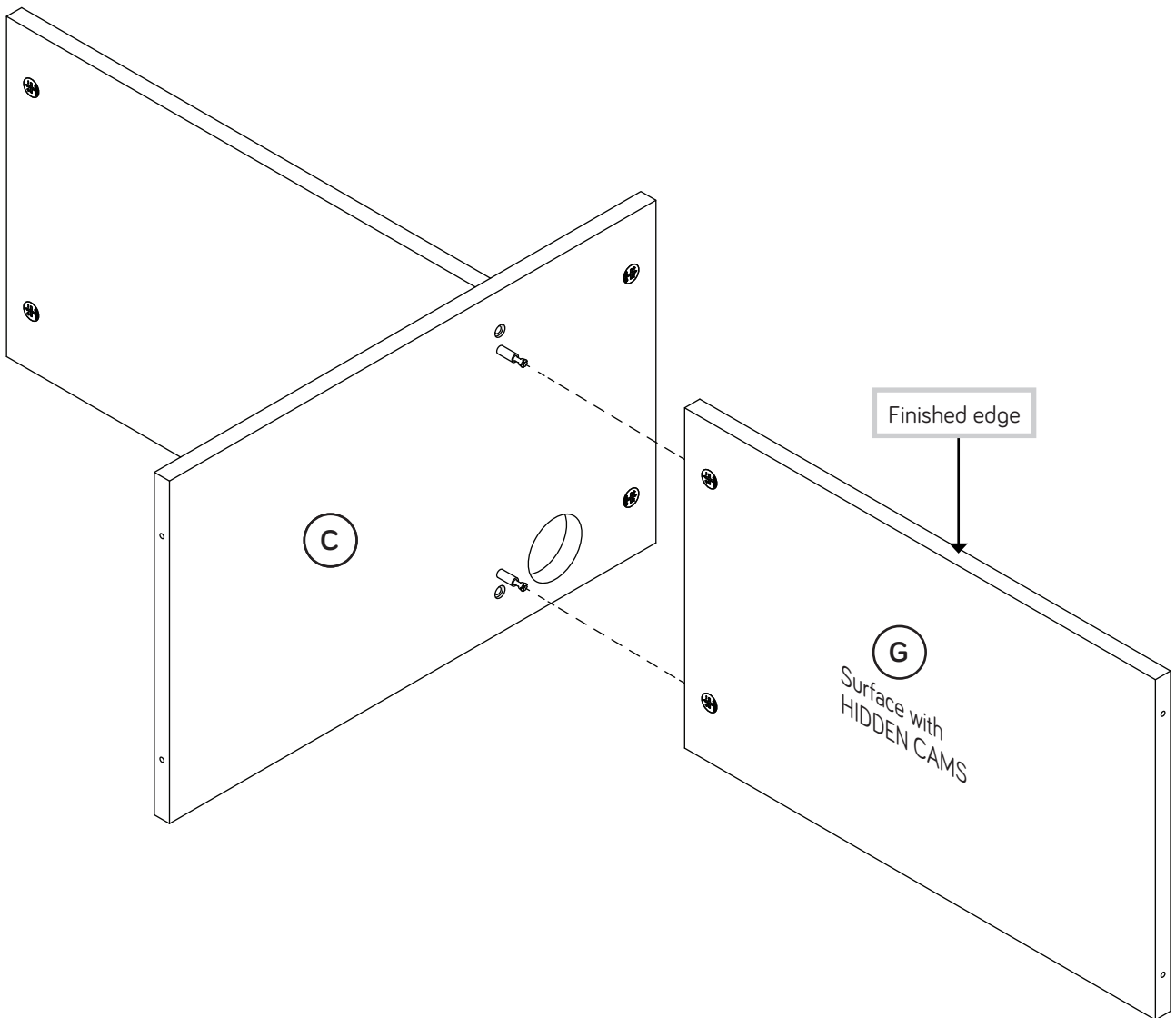
- Fasten the UPRIGHT (C) to one of the SHELVES (G). Use two BLACK 1-1/2" FLAT HEAD SCREWS (28).



Step 19

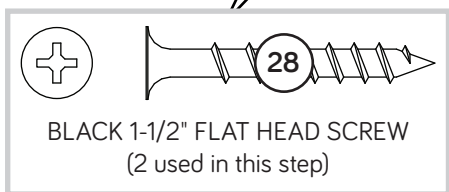
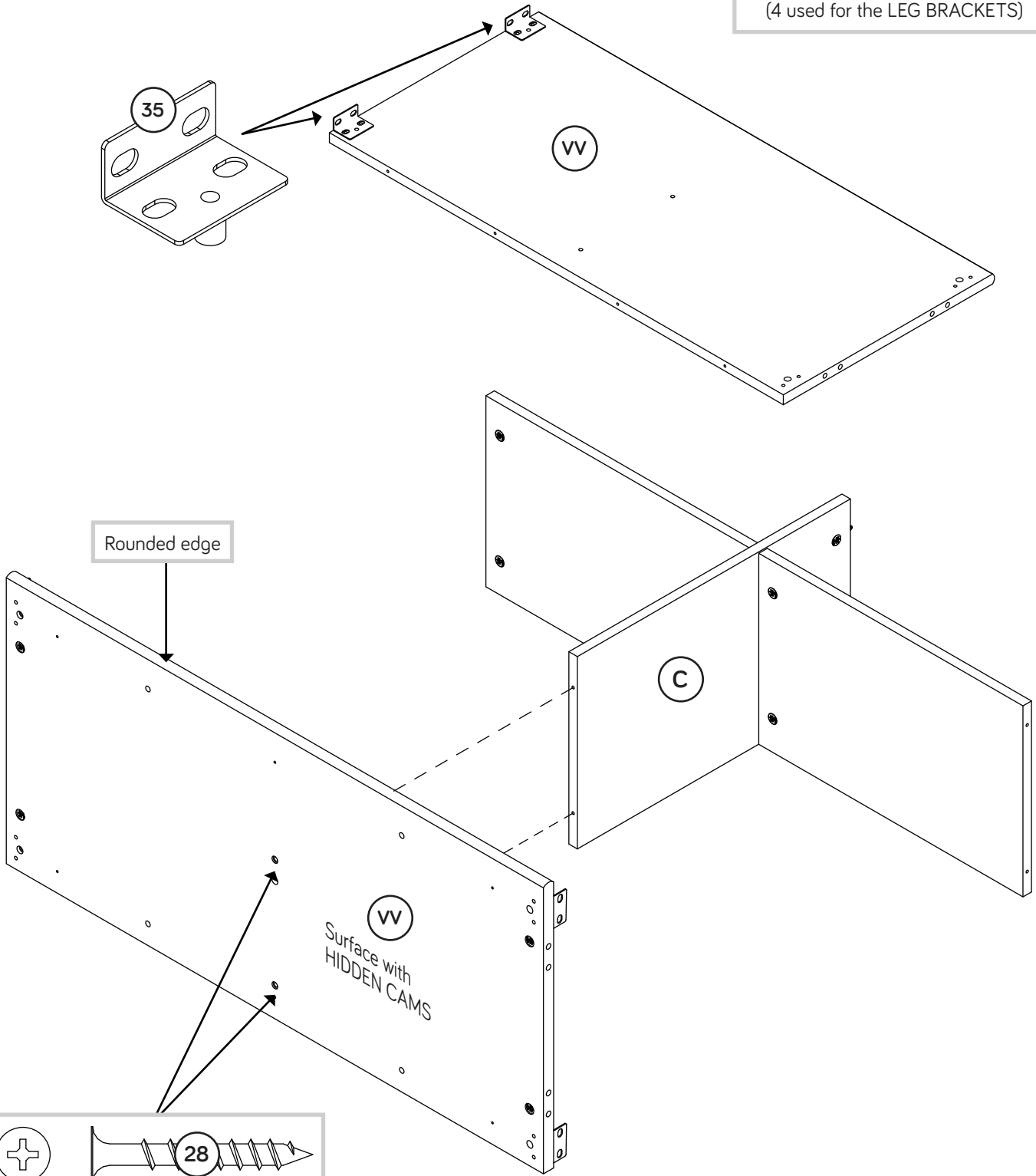
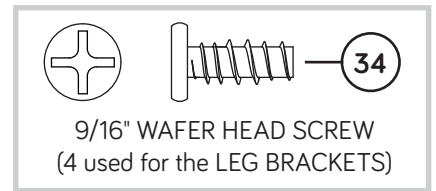


- Fasten the other SHELF (G) to the UPRIGHT (C). Tighten two HIDDEN CAMS.



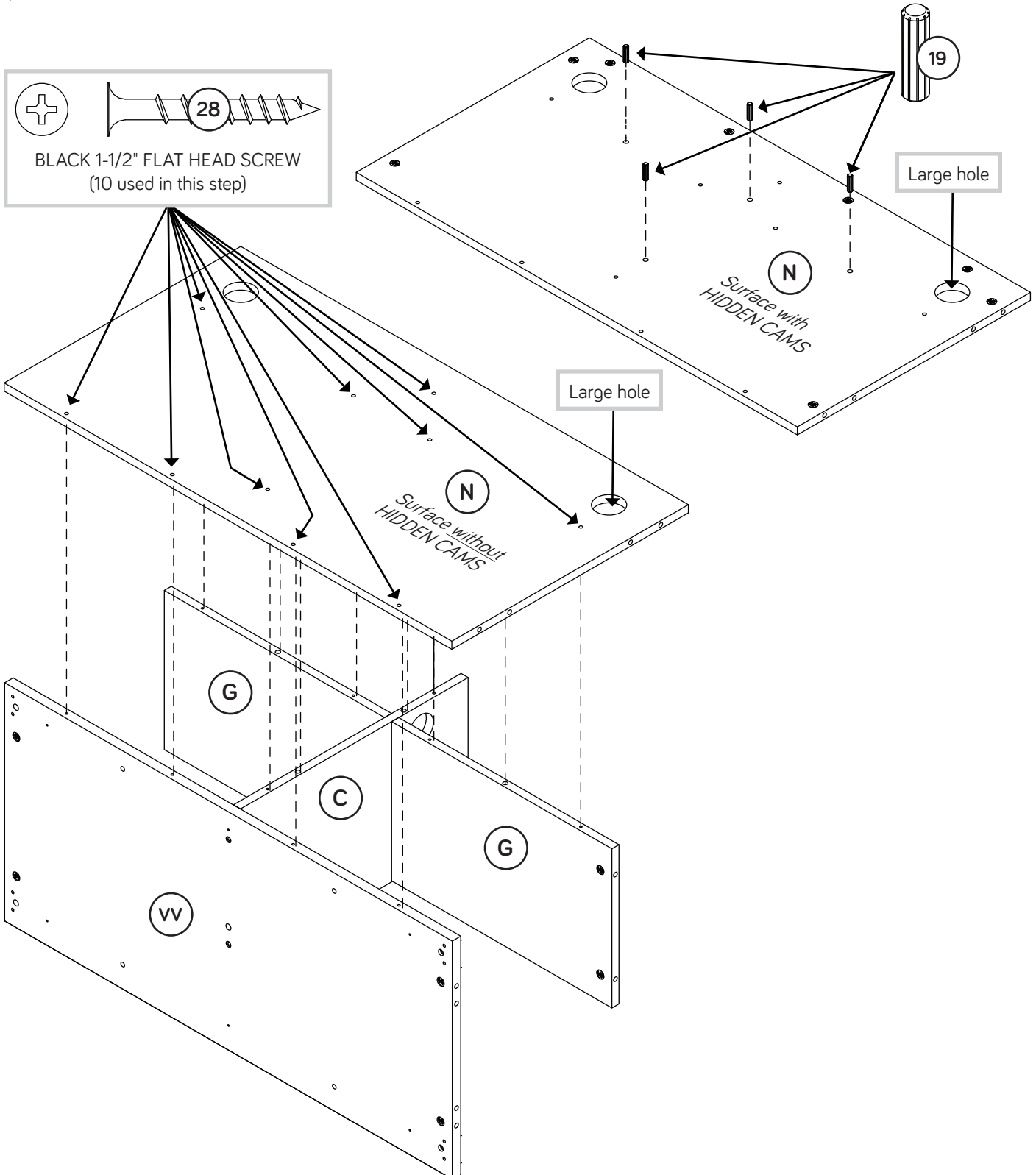
Step 20

- Fasten two LEG BRACKETS (35) to the BOTTOM (VV). Use four 9/16" WAFER HEAD SCREWS (34).
- Fasten the BOTTOM (VV) to the UPRIGHT (C). Use two BLACK 1-1/2" FLAT HEAD SCREWS (28).



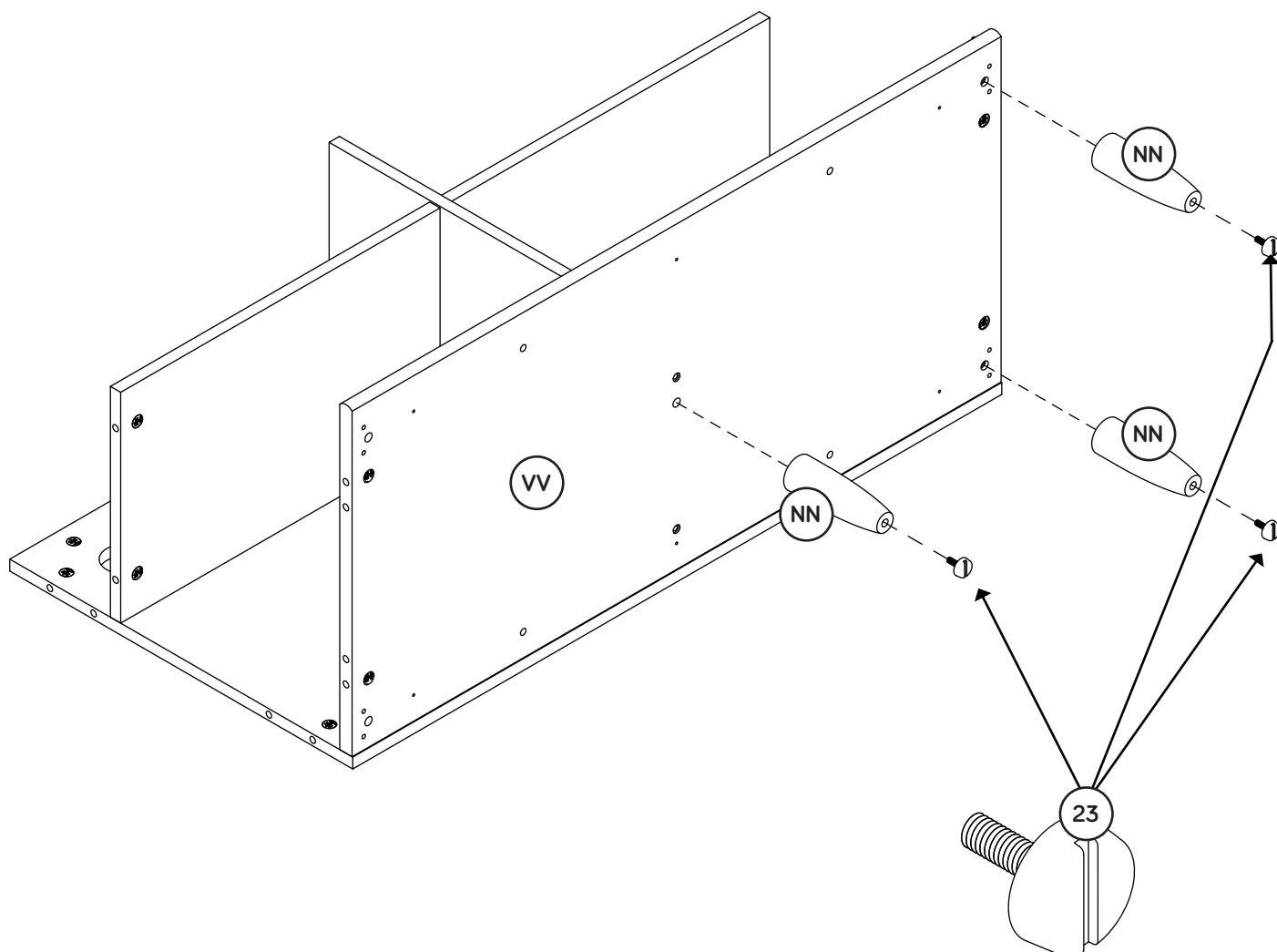
Step 21

- ✚ Carefully turn the assembly over onto its front edges.
- ✚ Insert four LONG WOOD DOWELS (19) into the exact holes shown in the RETURN BACK (N).
- ✚ Fasten the RETURN BACK (N) to the UPRIGHT (C), SHELVES (G), and BOTTOM (VV). Use ten BLACK 1-1/2" FLAT HEAD SCREWS (28).
- ✚ **NOTE:** Be sure the LONG WOOD DOWELS in the RETURN BACK insert into the holes in the UPRIGHT and SHELVES.



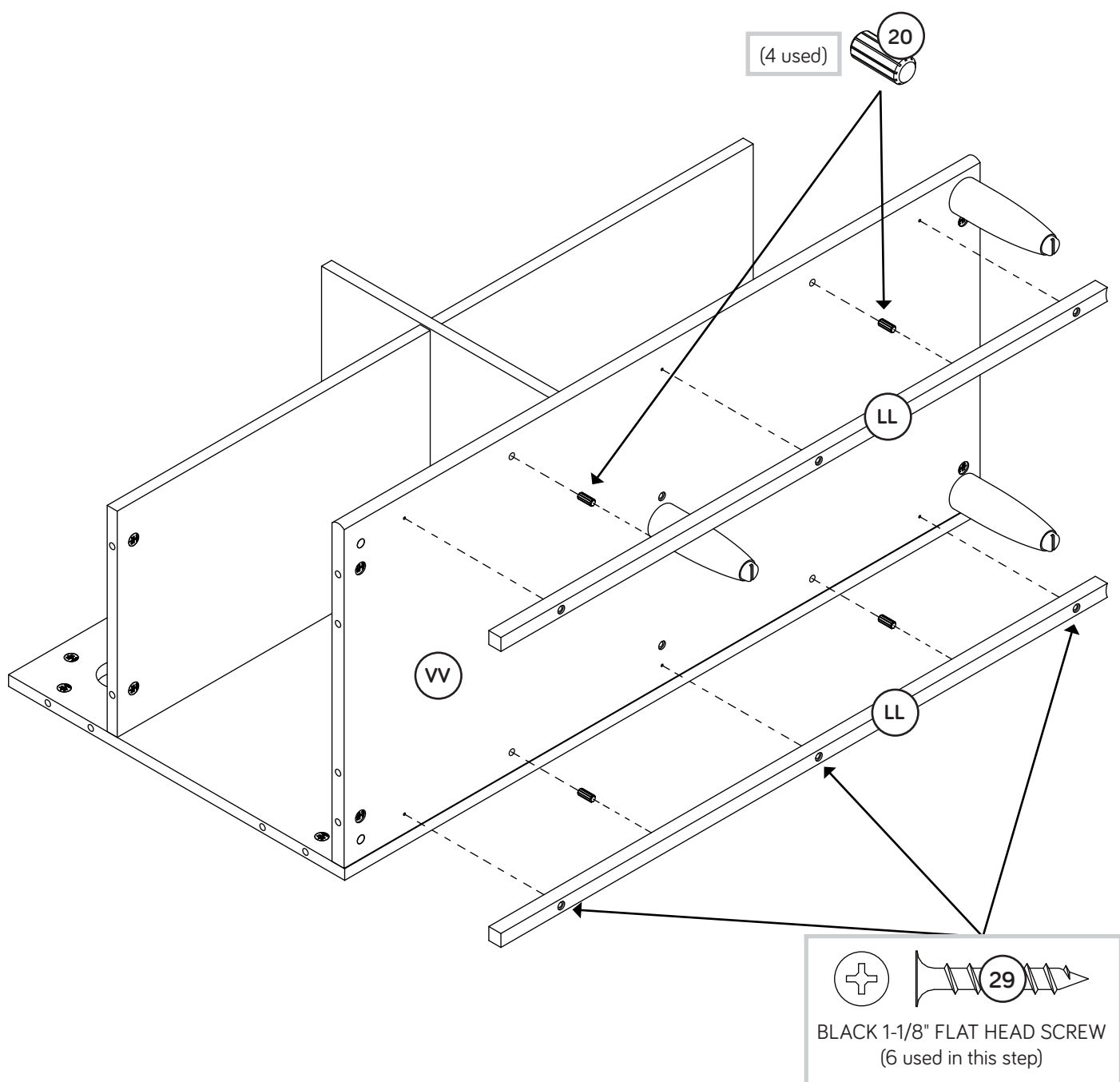
Step 22

- ✚ Carefully lay the assembly onto its back.
- ✚ Turn three FEET (NN) into the BOTTOM (VV).
- ✚ NOTE: Do not overtighten the FEET.
- ✚ Then, turn three ADJUSTABLE GLIDES (23) into the FEET (NN).
- ✚ NOTE: Turn the ADJUSTABLE GLIDES completely in. Final adjustments will be made after the unit is standing upright.



Step 23

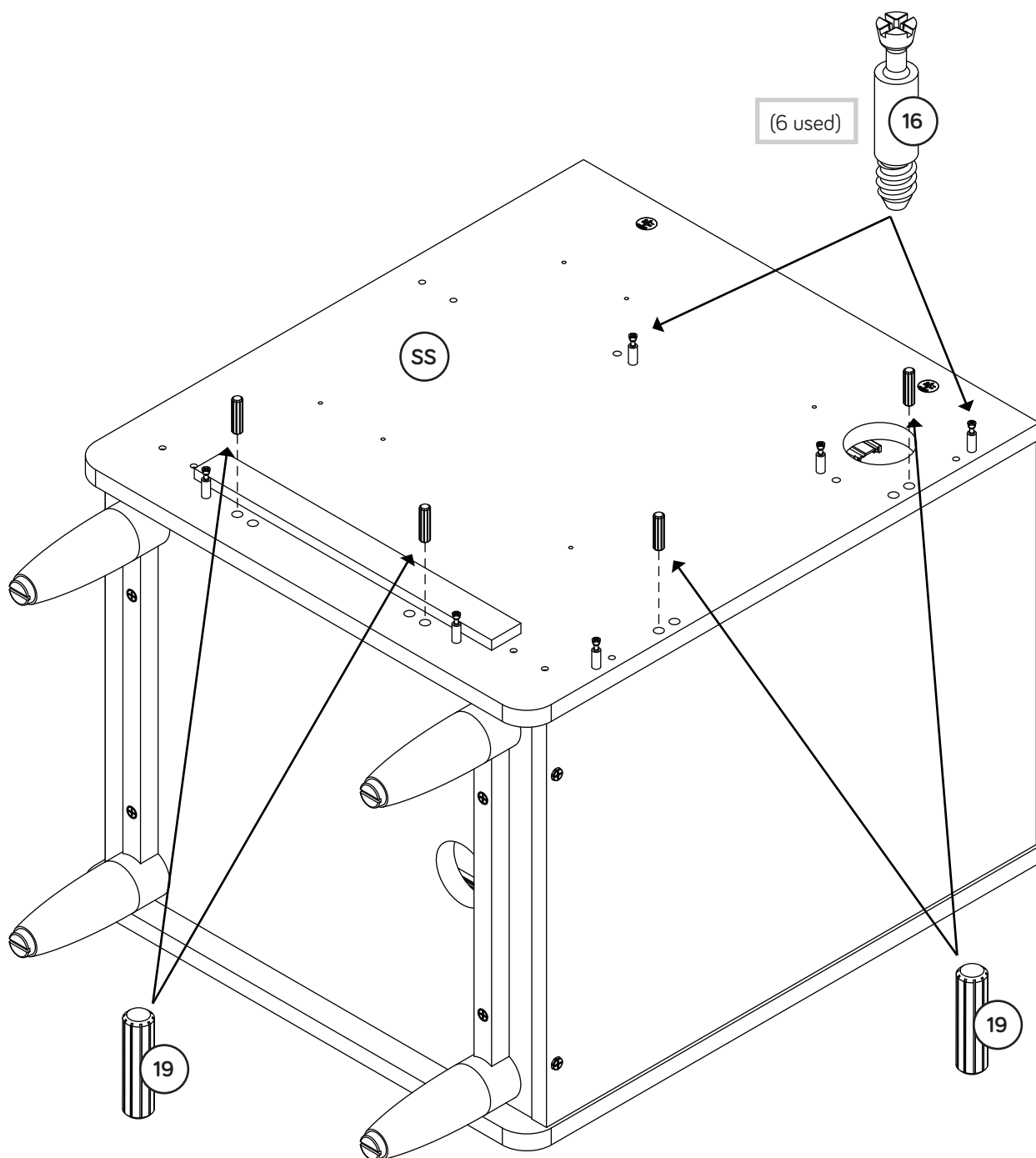
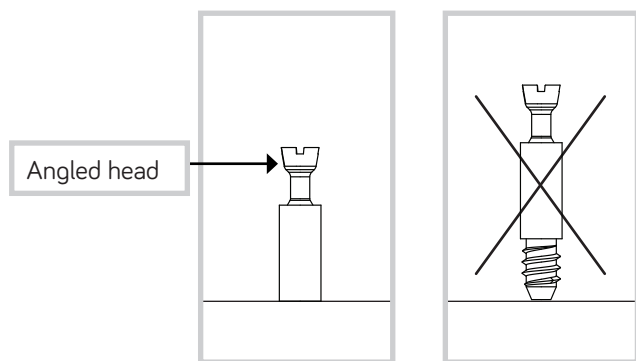
- ✚ Insert four SHORT WOOD DOWELS (20) into the BOTTOM (VV).
- ✚ Fasten two LONG BOTTOM RAILS (LL) to the BOTTOM (VV). Use six BLACK 1-1/8" FLAT HEAD SCREWS (29).
- ✚ **NOTE:** Be sure the SHORT WOOD DOWELS in the BOTTOM insert into the holes in the LONG BOTTOM RAILS.



Step 24



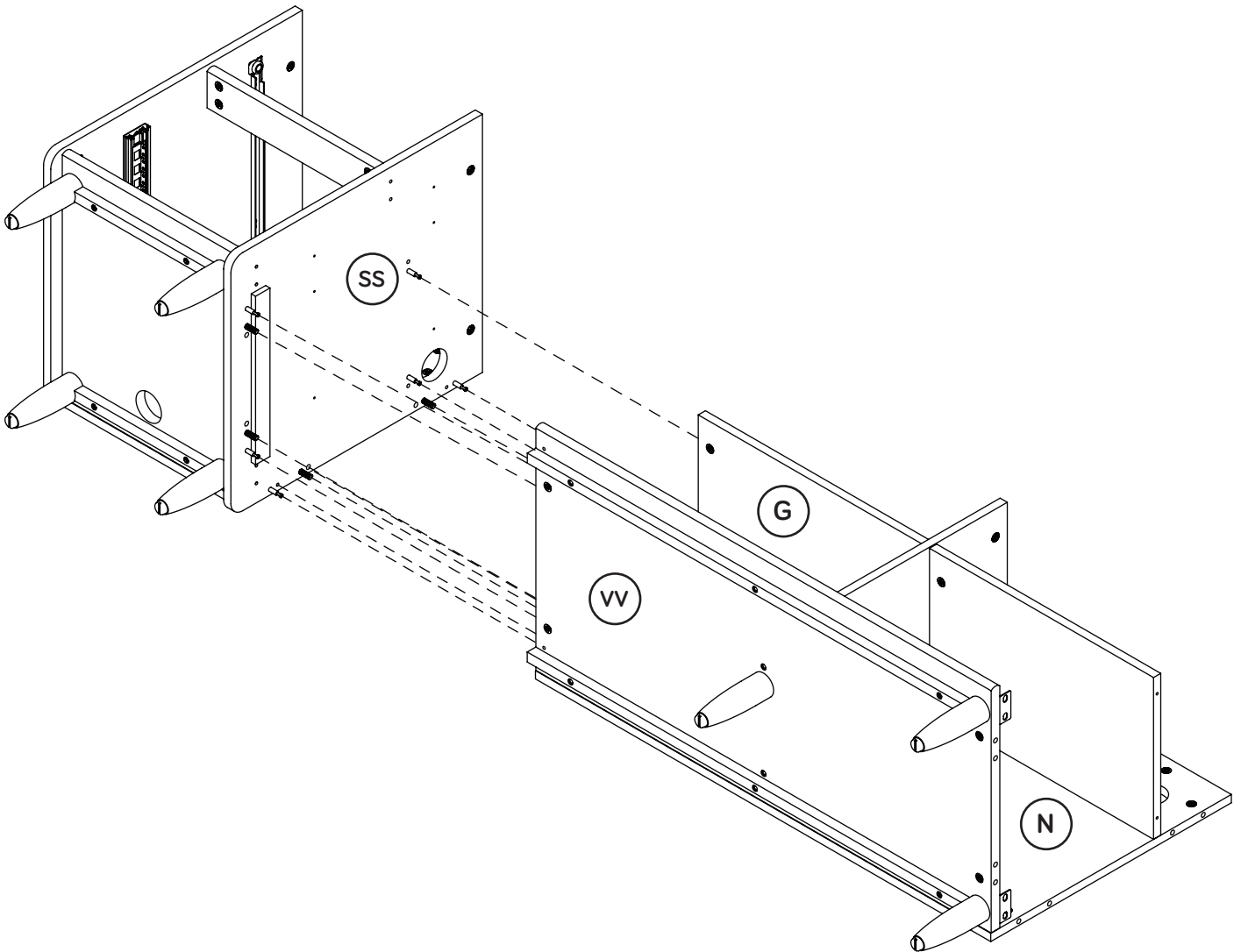
- Turn six ANGLED HEAD CAM SCREWS (16) into the exact holes shown in the RETURN UPRIGHT (SS).
- Insert four LONG WOOD DOWELS (19) into the exact holes shown in the RETURN UPRIGHT (SS).



Step 25



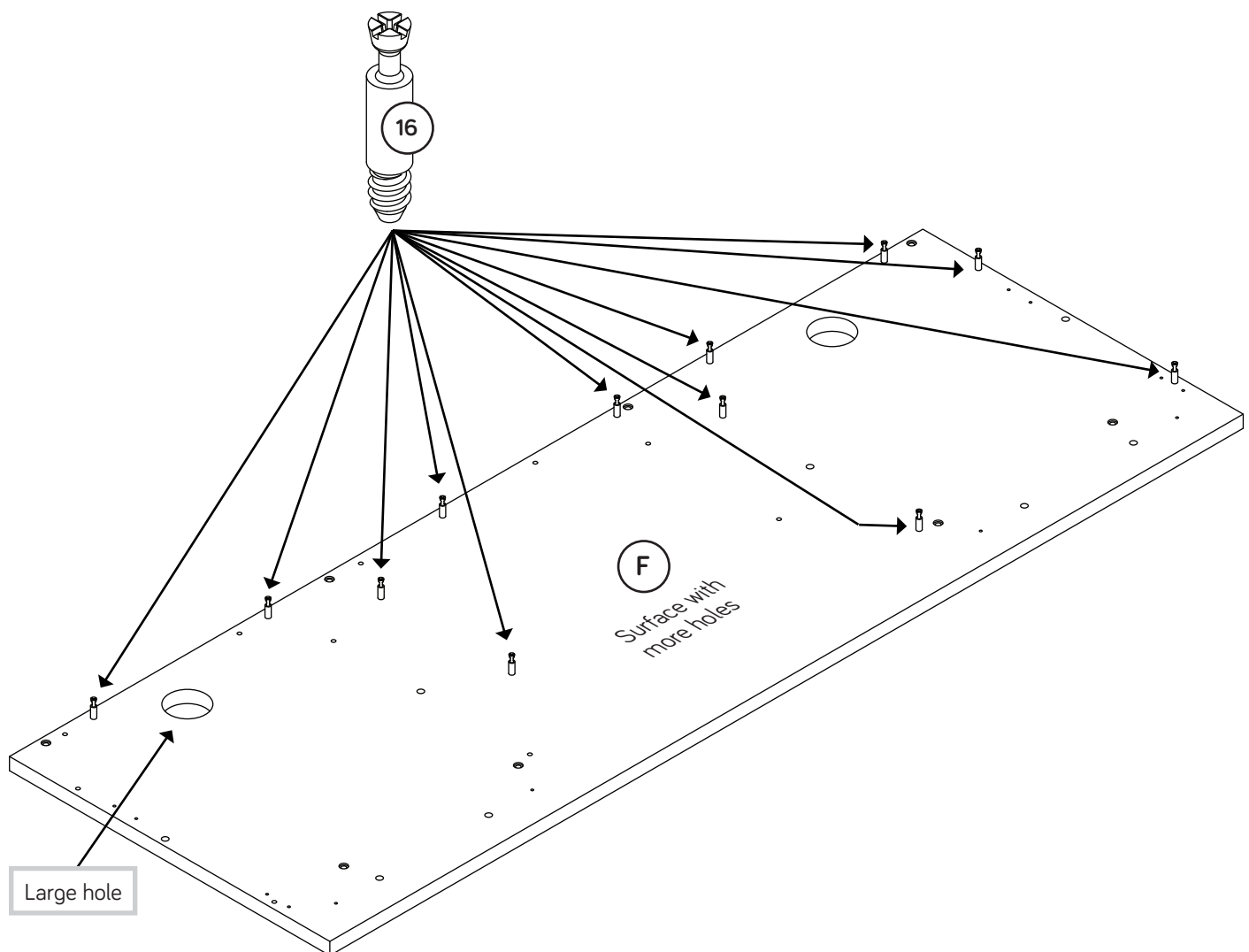
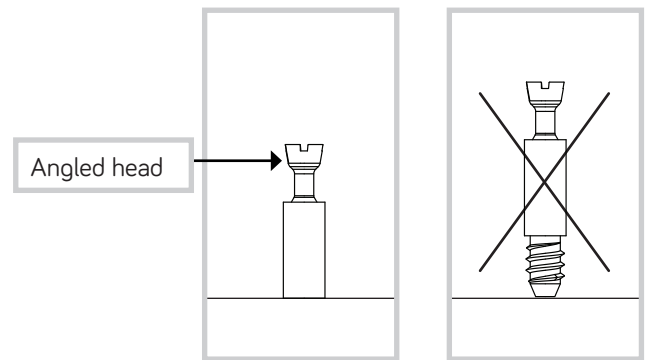
- ⚡ **NOTE:** You may need someone's help in this step.
- ⚡ Fasten the RETURN UPRIGHT (SS) to the BOTTOM (VV), SHELF (G) and RETURN BACK (N). Tighten six HIDDEN CAMS.
- ⚡ **NOTE:** Be sure the LONG WOOD DOWELS in the RETURN UPRIGHT insert into the holes in the SHELF, BOTTOM, and RETURN BACK.



Step 26



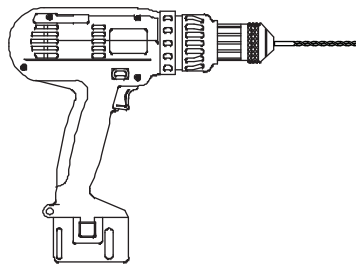
- ⚠ **NOTE:** Be sure to position the RETURN TOP (F) exactly as shown.
- ⚠ Turn twelve ANGLED HEAD CAM SCREWS (16) into the exact holes shown in the RETURN TOP (F).


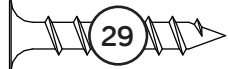


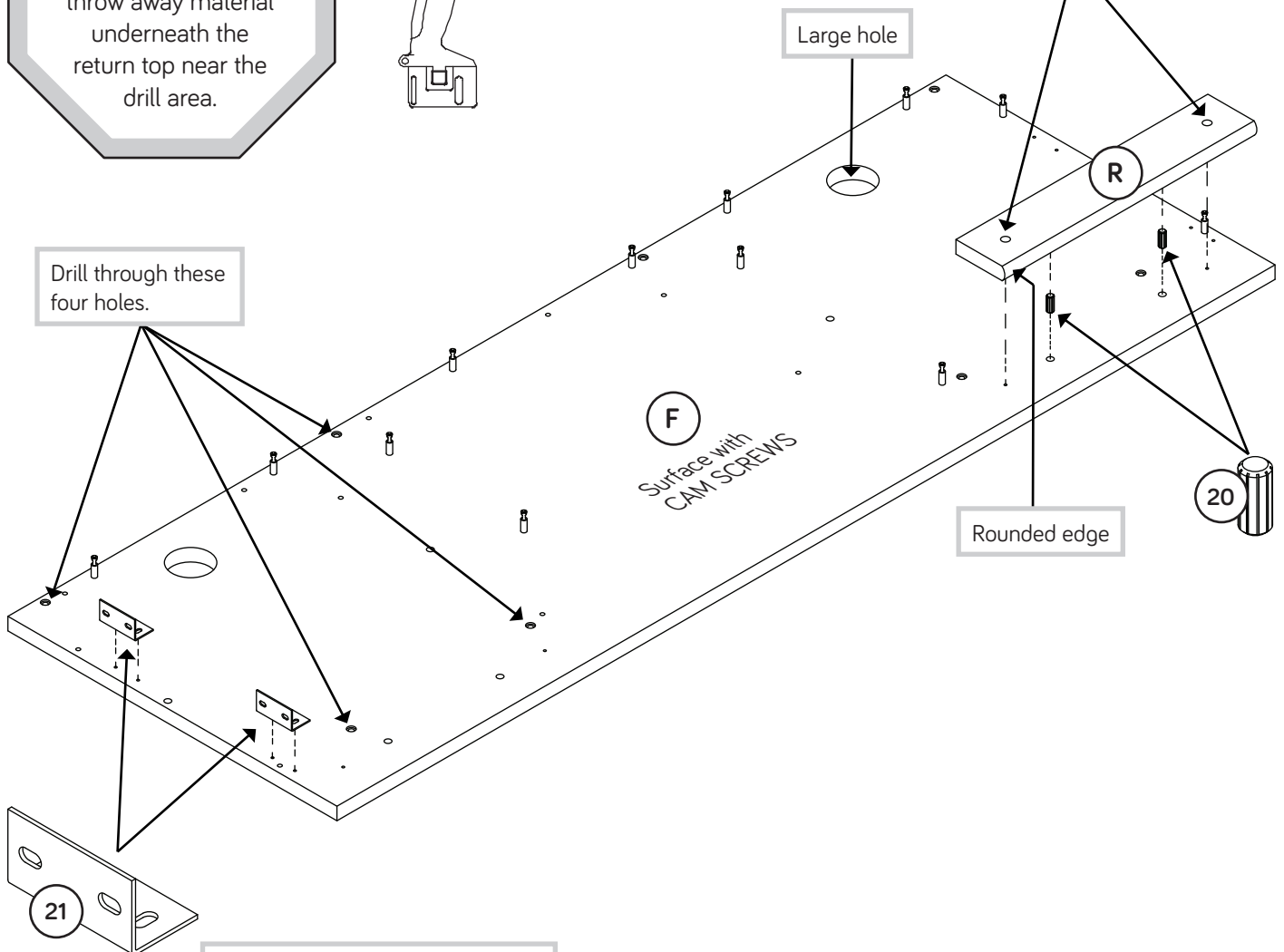
Step 27


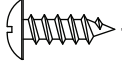
- NOTE: Be sure to position the RETURN TOP exactly as shown.
- Insert two SHORT WOOD DOWELS (20) into the exact holes shown in the RETURN TOP (F).
- Fasten a TOP RAIL (R) to the RETURN TOP (F). Use two BLACK 1-1/8" FLAT HEAD SCREWS (29).
- NOTE: Be sure the SHORT WOOD DOWELS in the RETURN TOP insert into the holes in the TOP RAIL.
- Fasten two BRACKETS (21) to the RETURN TOP (F). Use four BLACK 1/2" PAN HEAD SCREWS (31).
- With a drill and 3/16" drill bit, finish drilling through the exact four holes shown in the RETURN TOP (F).

CAUTION
Make sure you have packing foam or throw away material underneath the return top near the drill area.



 
BLACK 1-1/8" FLAT HEAD SCREW
(2 used in this step)

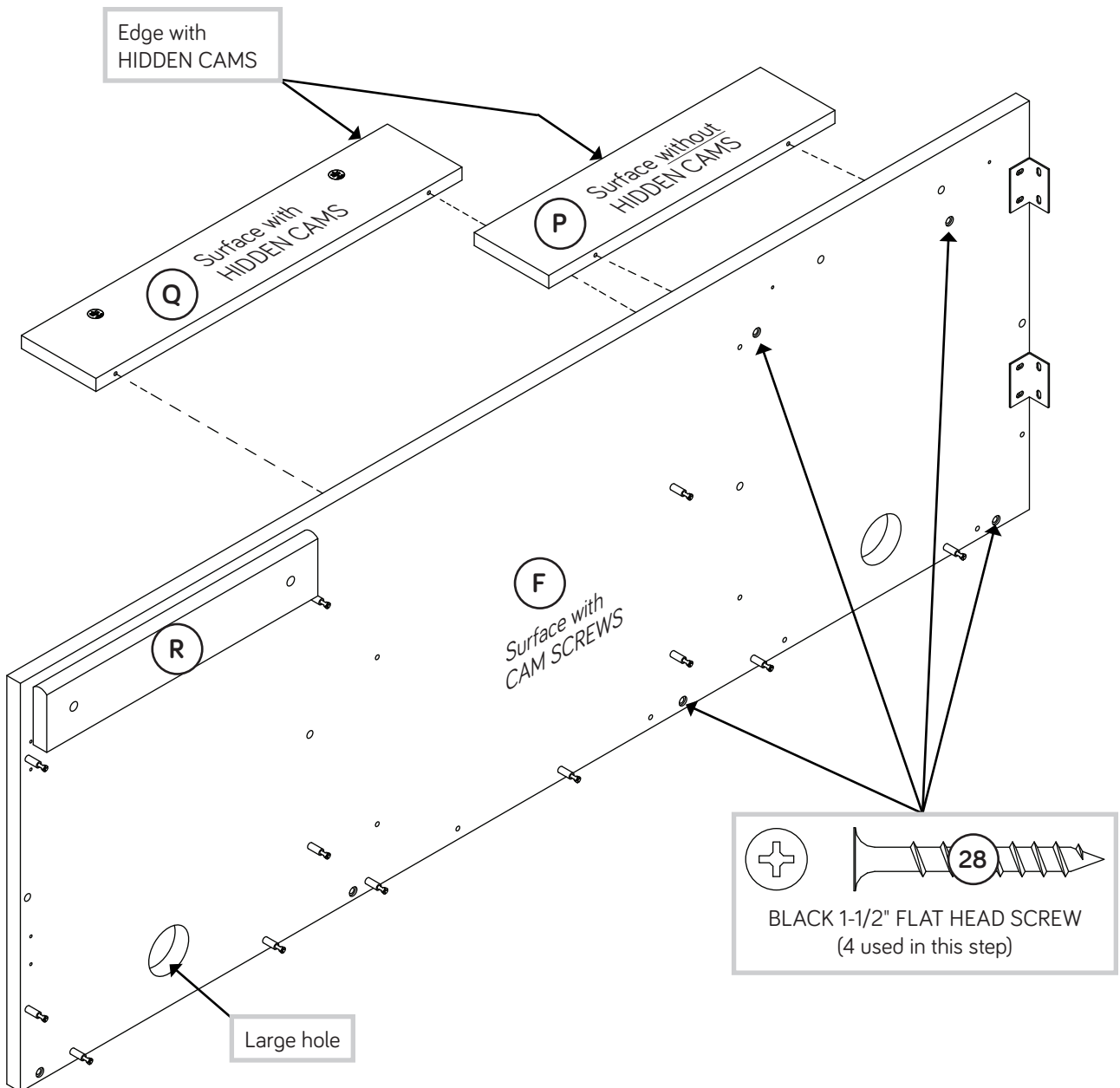


 
BLACK 1/2" PAN HEAD SCREW
(4 used for the BRACKETS)

Step 28

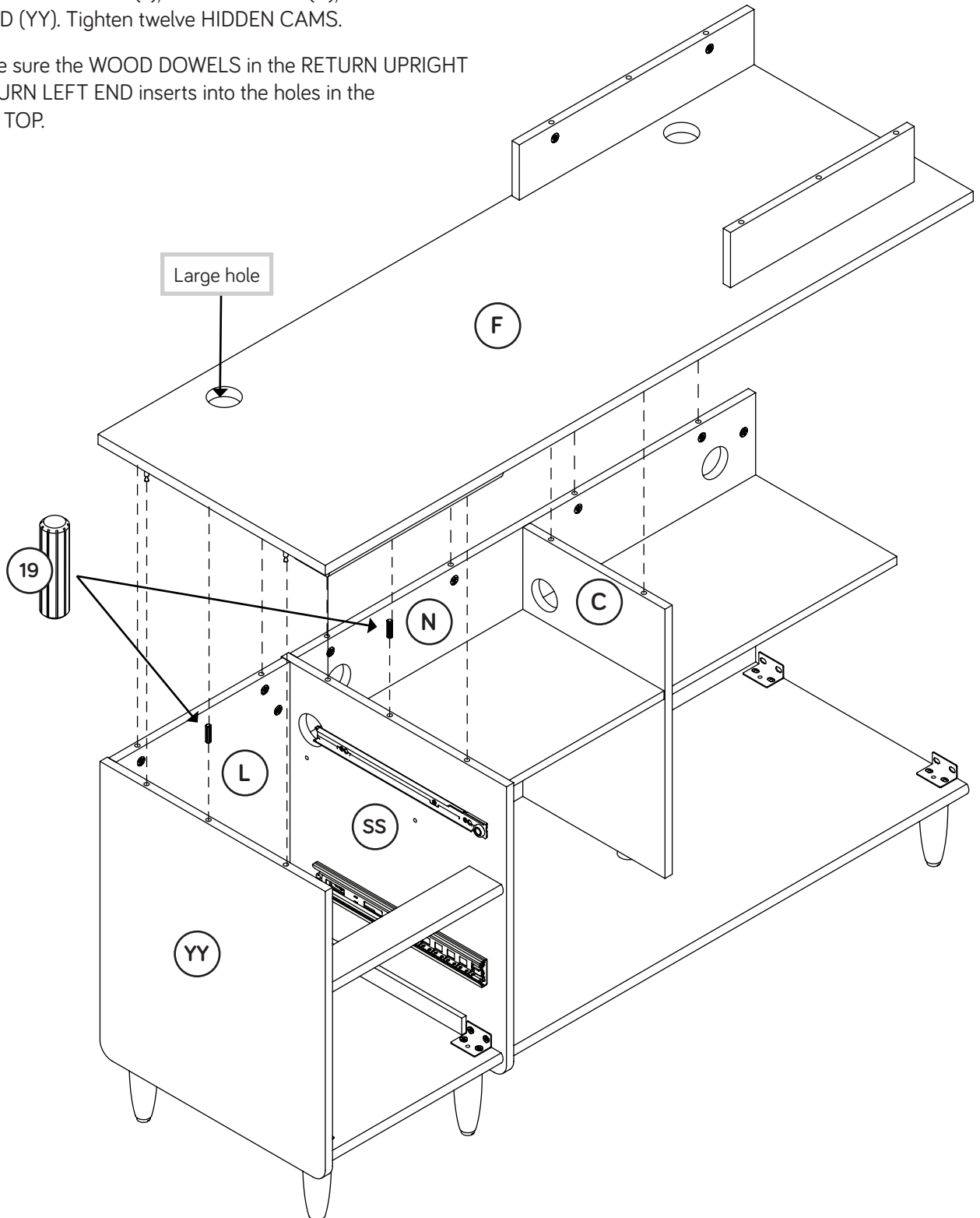


- Fasten the UPRIGHTS (P and Q) to the RETURN TOP (F).
Use four BLACK 1-1/2" FLAT HEAD SCREWS (28).



Step 29

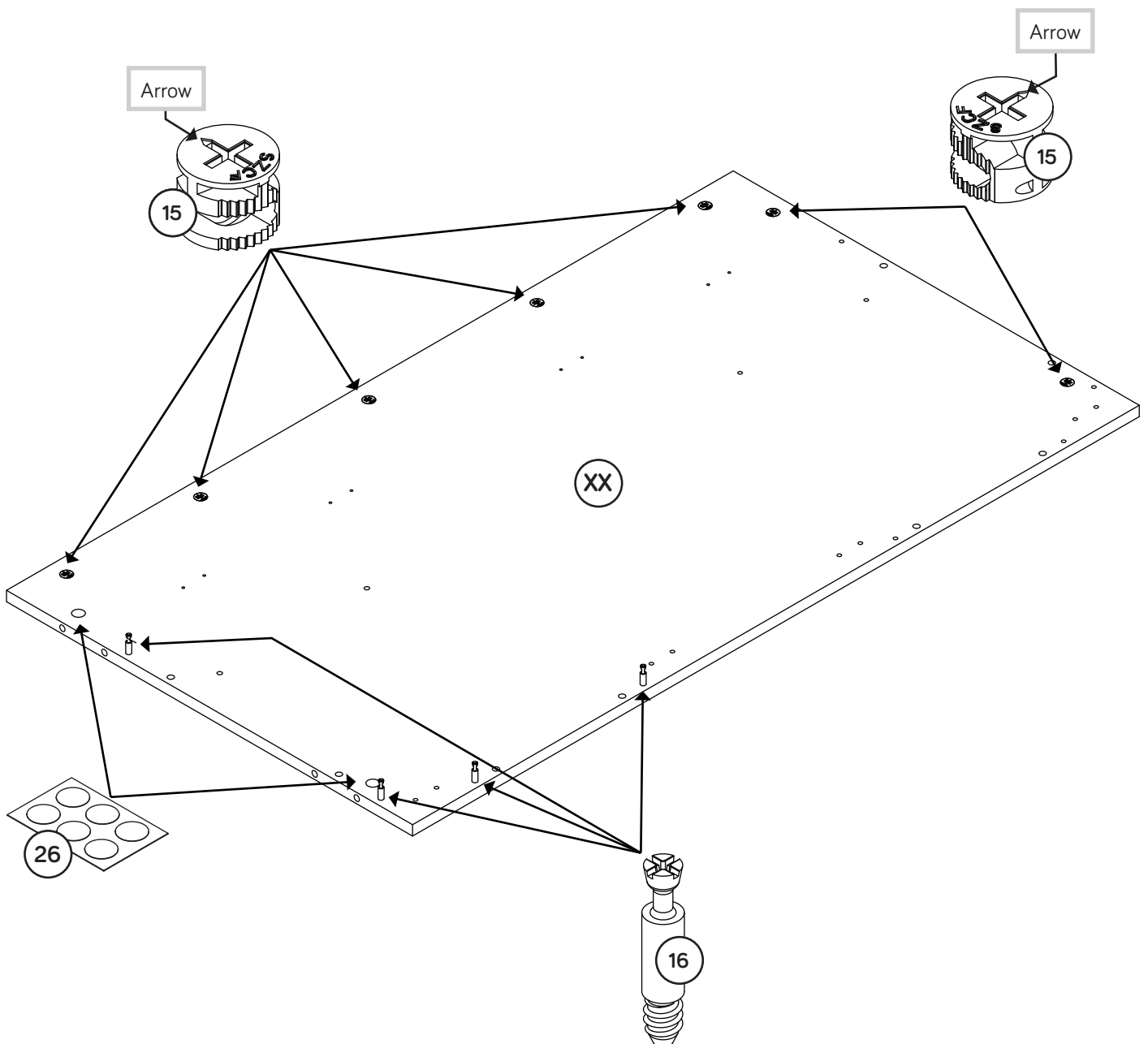
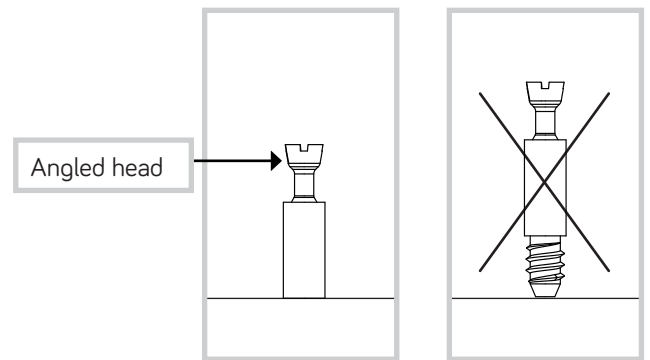
- ✚ With someone's help, carefully stand the return assembly upright and place it near its final location.
- ✚ Insert two LONG WOOD DOWELS (19) into the exact holes shown in the RETURN UPRIGHT (SS) and RETURN LEFT END (YY).
- ✚ Fasten the RETURN TOP (F) to the UPRIGHTS (C and D), RETURN SMALL BACK (L), RETURN BACK (N), and RETURN LEFT END (YY). Tighten twelve HIDDEN CAMS.
- ✚ **NOTE:** Be sure the WOOD DOWELS in the RETURN UPRIGHT and RETURN LEFT END inserts into the holes in the RETURN TOP.



Step 30



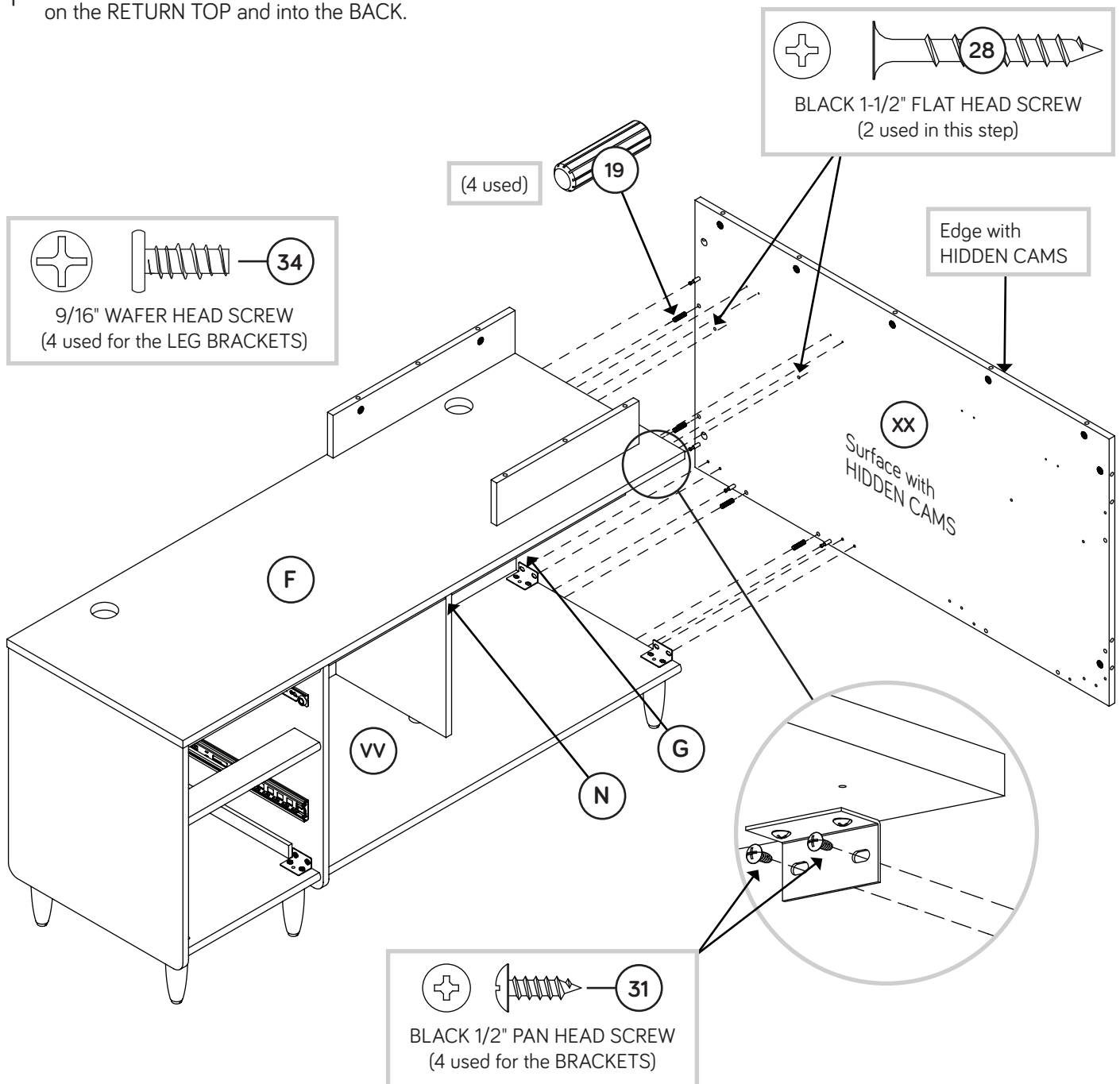
- 🔧 **NOTE:** Be sure to position the BACK (XX) exactly as shown.
- 🔧 Turn four ANGLED HEAD CAM SCREWS (16) into the exact holes shown in the BACK (XX).
- 🔧 Push seven HIDDEN CAMS (15) into the exact holes shown in the BACK (XX).
- 🔧 Peel two APPLIQUES from the APPLIQUE CARD (26) and stick them over the two large holes in the BACK (XX).



Step 31



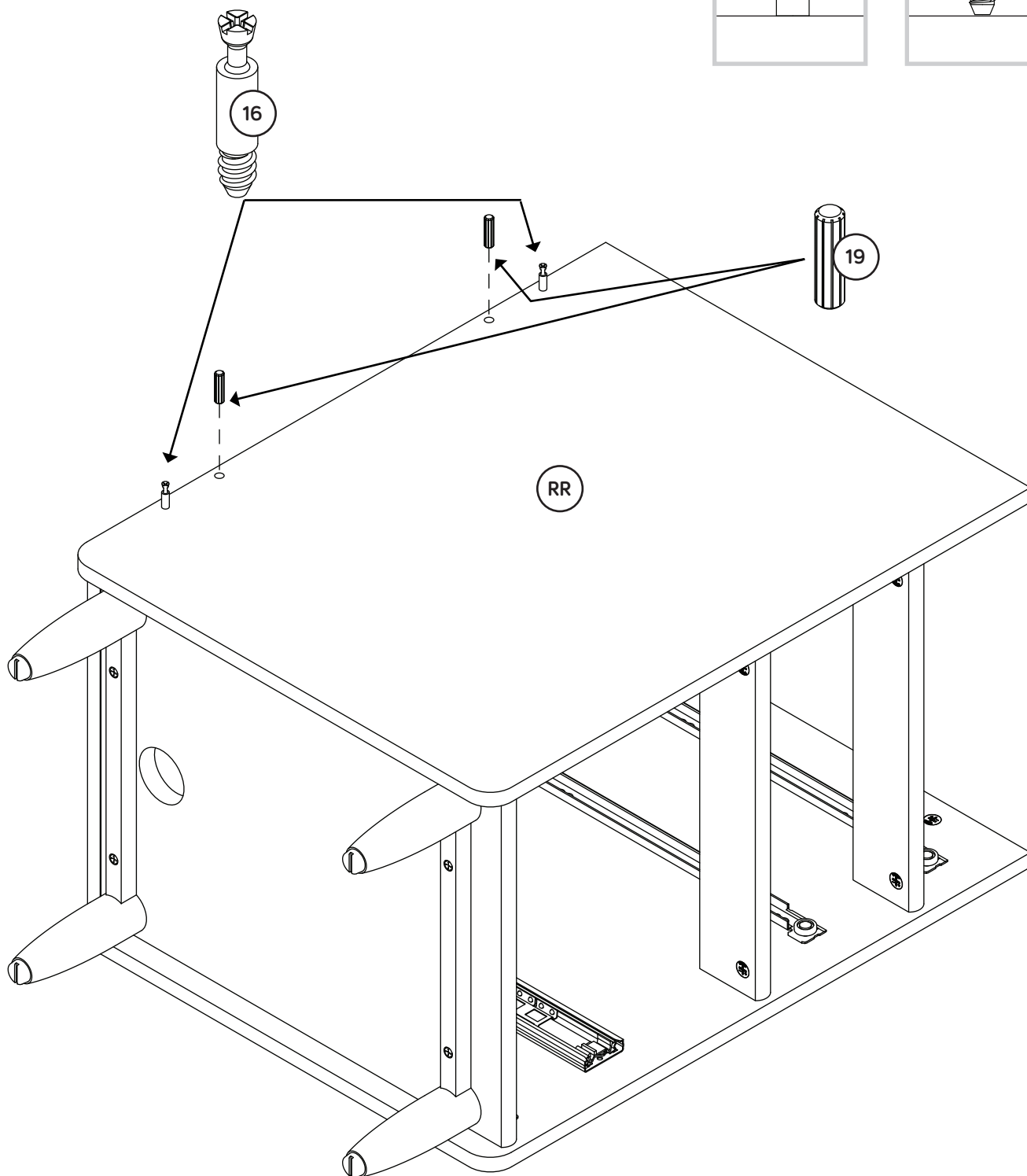
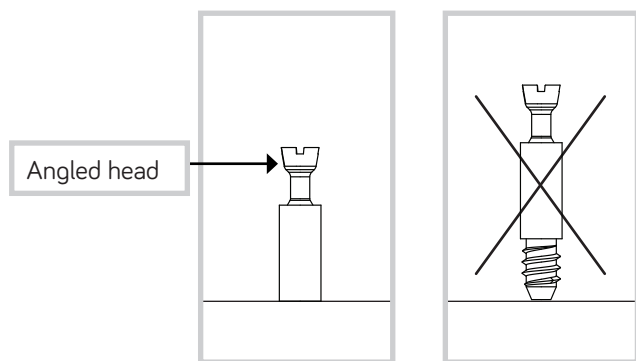
- NOTE: You may need someone's help in this step.
- Insert four LONG WOOD DOWELS (19) into the exact holes shown in the BACK (XX).
- Fasten the BACK (XX) to the BOTTOM (VV) and RETURN BACK (N). Tighten four HIDDEN CAMS and use four 9/16" WAFER HEAD SCREWS (34) through the LEG BRACKETS on the BOTTOM and into the BACK.
- NOTE: Be sure the WOOD DOWELS in the BACK inserts into the holes in the BOTTOM and RETURN BACK
- Fasten the BACK (XX) to the SHELF (G). Use two BLACK 1-1/2" FLAT HEAD SCREWS (28).
- Fasten the RETURN TOP (F) to the BACK (XX). Use four BLACK 1/2" PAN HEAD SCREWS (31) through the BRACKETS on the RETURN TOP and into the BACK.



Step 32



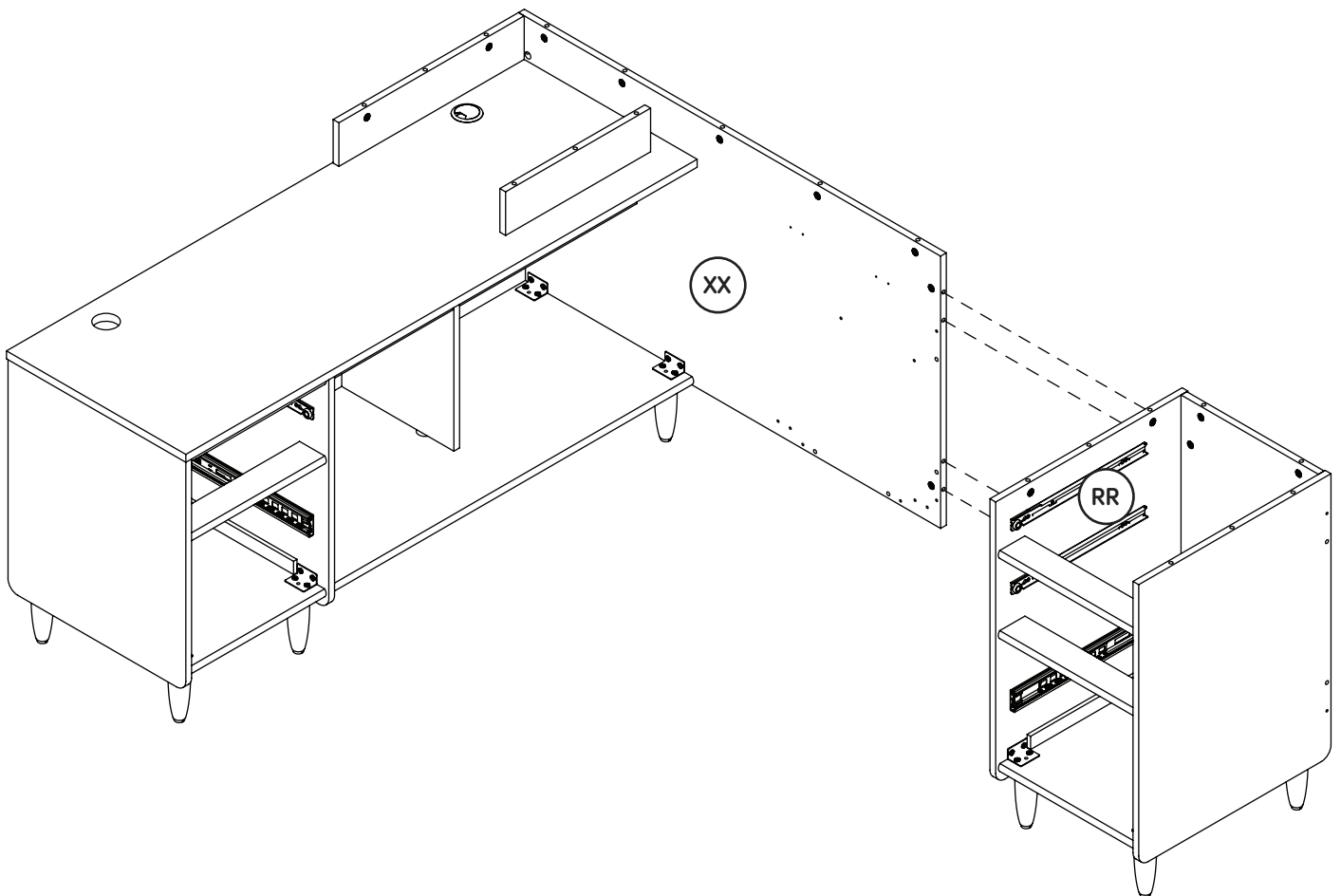
- ✚ Turn two ANGLED HEAD CAM SCREWS (16) into the exact holes shown in the LEFT END (RR).
- ✚ Insert two LONG WOOD DOWELS (19) into the exact holes shown in the LEFT END (RR).



Step 33



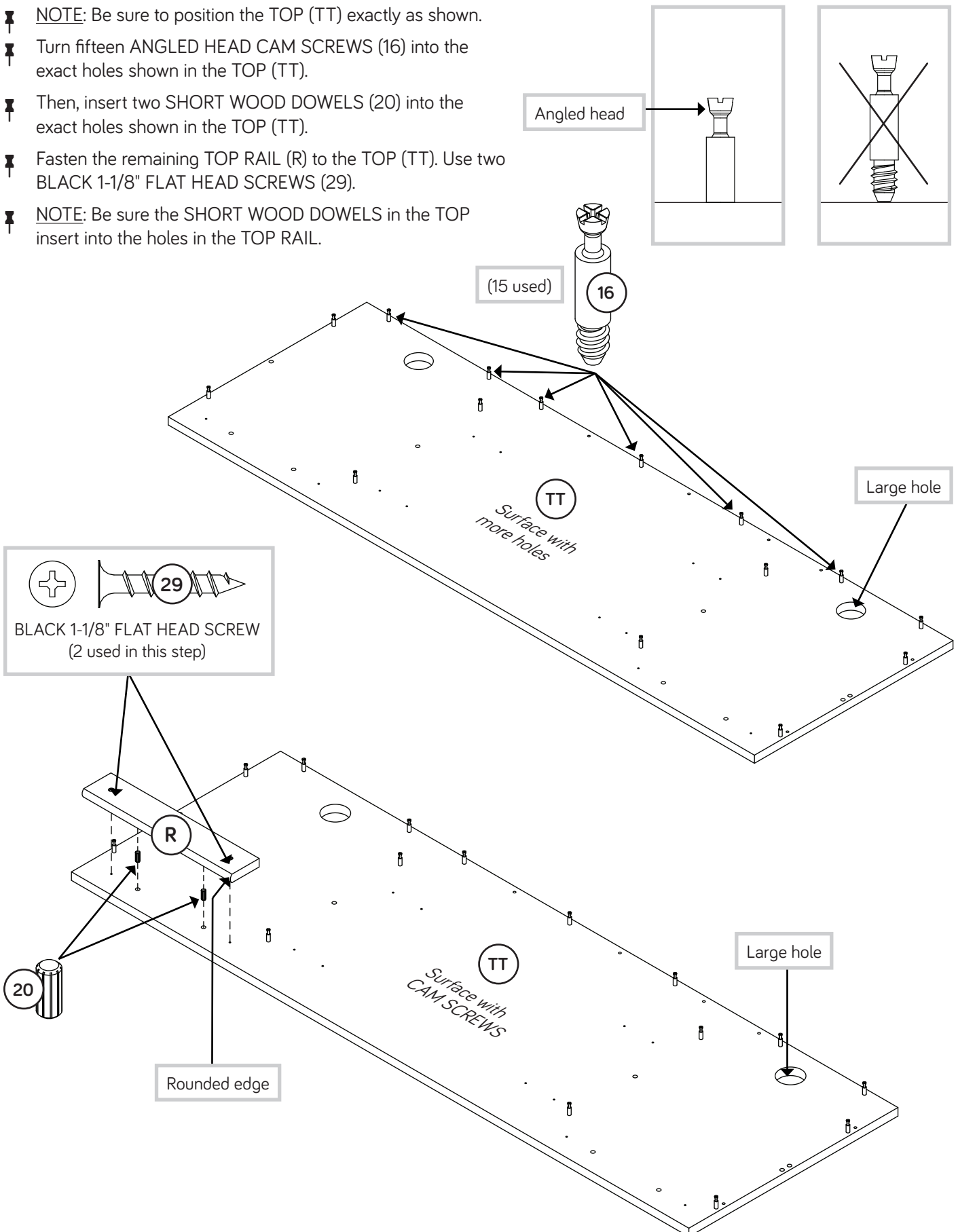
- 🔧 **NOTE:** You may need someone's help in this step.
- 🔧 Fasten the LEFT END (RR) to the BACK (XX). Tighten two HIDDEN CAMS.
- 🔧 **NOTE:** Be sure the WOOD DOWELS in the LEFT END insert into the holes in the BACK



Step 34



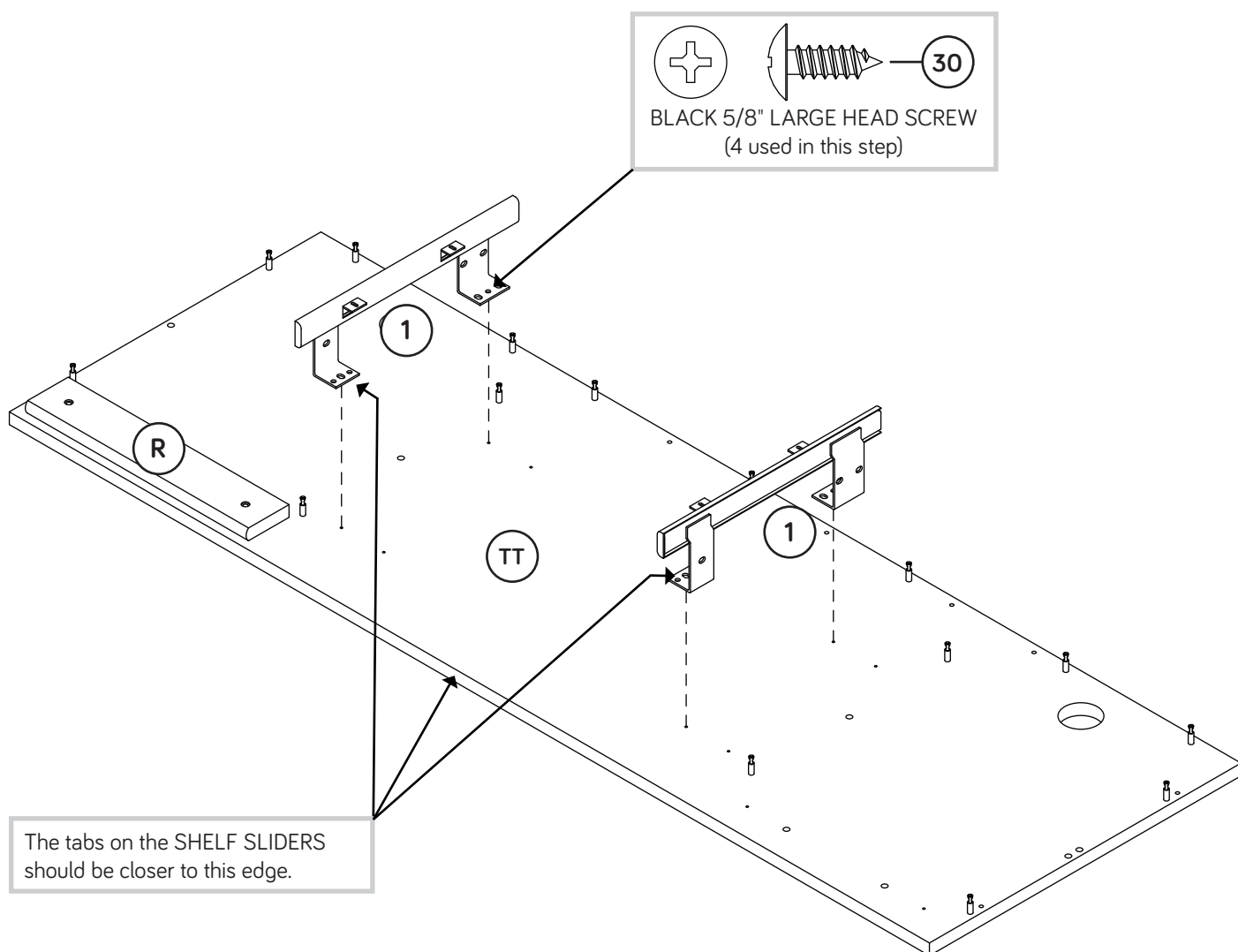
- NOTE: Be sure to position the TOP (TT) exactly as shown.
- Turn fifteen ANGLED HEAD CAM SCREWS (16) into the exact holes shown in the TOP (TT).
- Then, insert two SHORT WOOD DOWELS (20) into the exact holes shown in the TOP (TT).
- Fasten the remaining TOP RAIL (R) to the TOP (TT). Use two BLACK 1-1/8" FLAT HEAD SCREWS (29).
- NOTE: Be sure the SHORT WOOD DOWELS in the TOP insert into the holes in the TOP RAIL.



Step 35

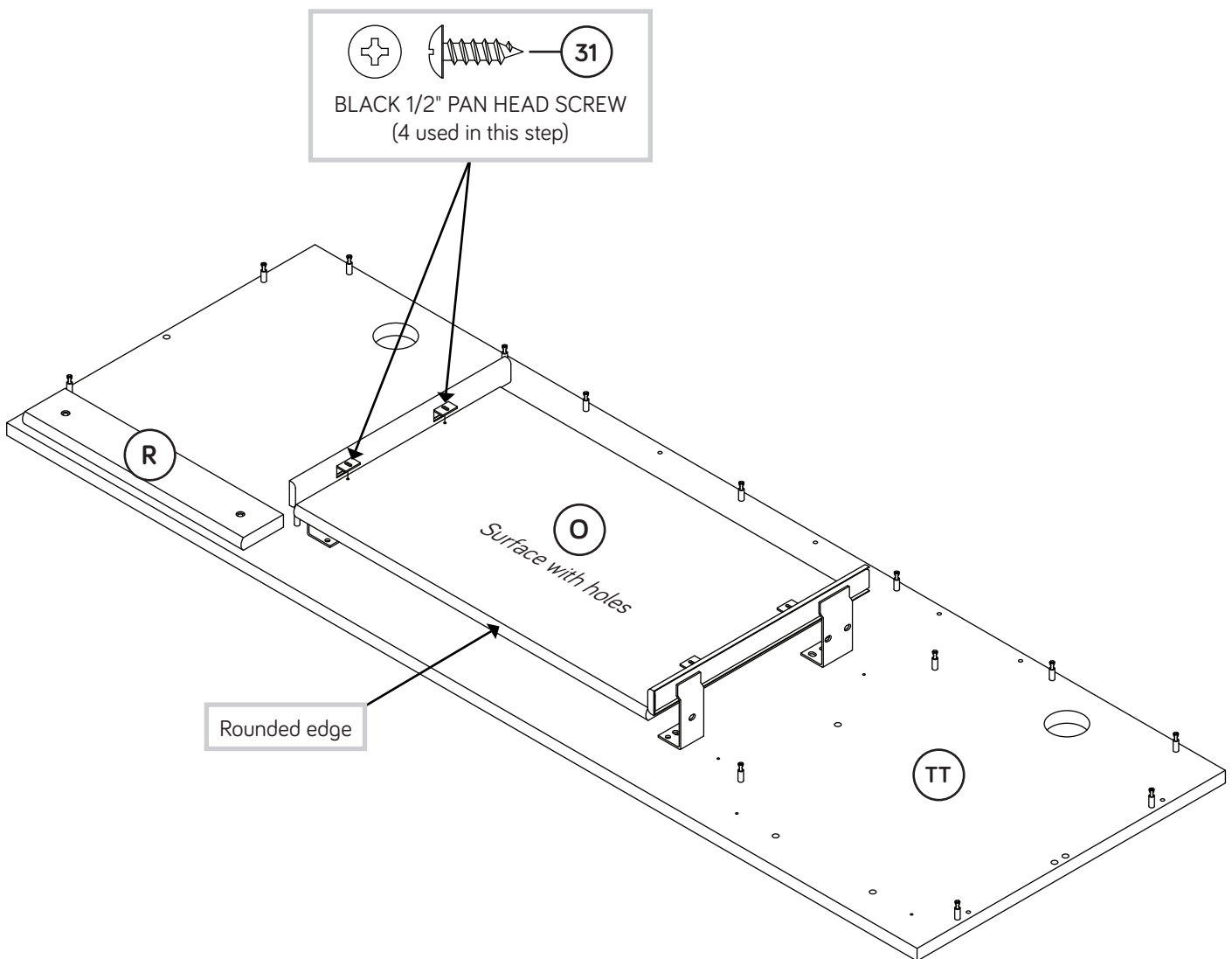
Fasten the SHELF SLIDER SET (1) to the TOP (TT). Use four BLACK 5/8" LARGE HEAD SCREWS (30).

NOTE: Be sure to use the center hole in the SHELF SLIDERS.



Step 36

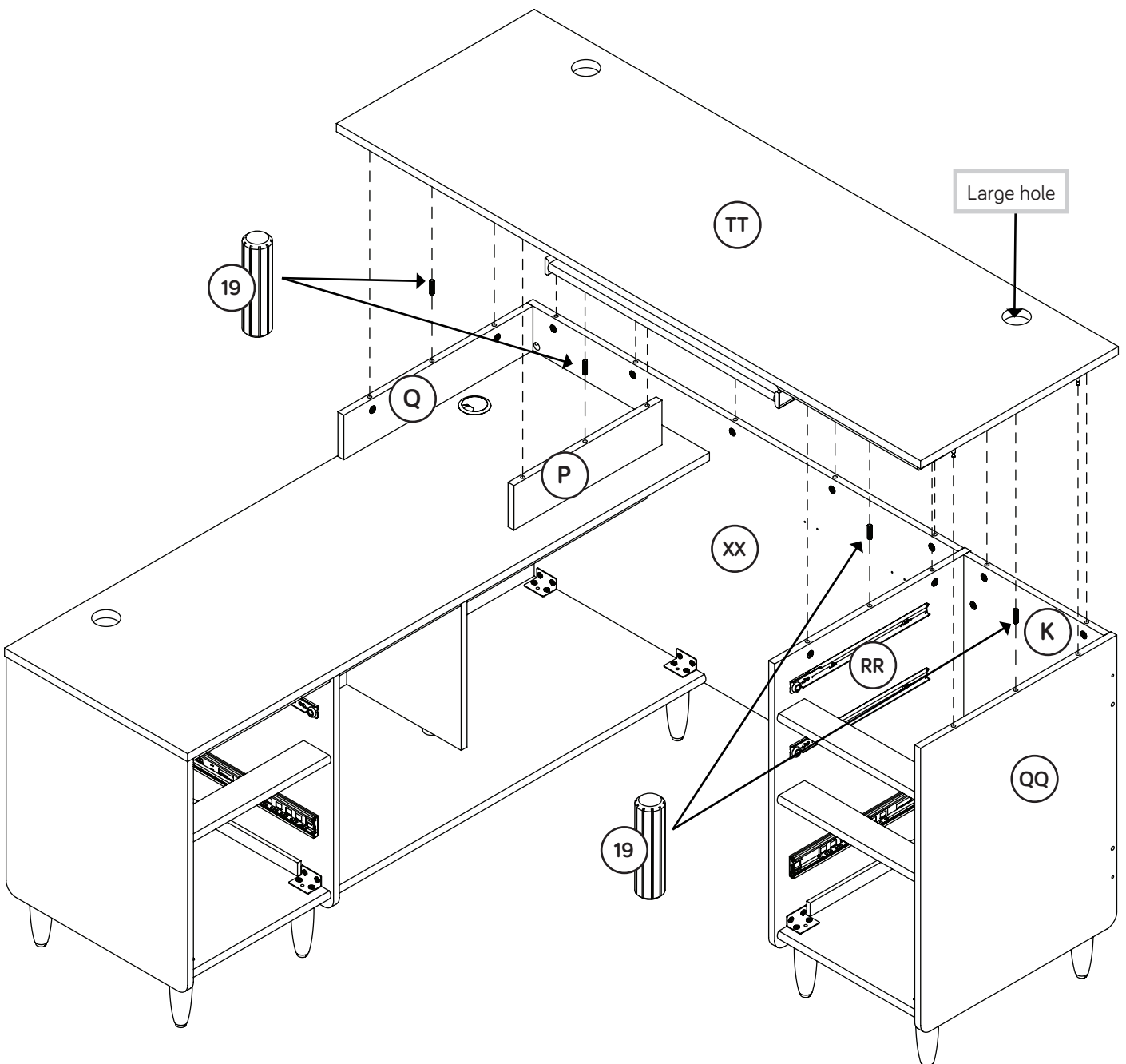
- Fasten the KEYBOARD SHELF (O) to the SHELF SLIDERS on the TOP (TT). Use four BLACK 9/16" PAN HEAD SCREWS (31).



Step 37



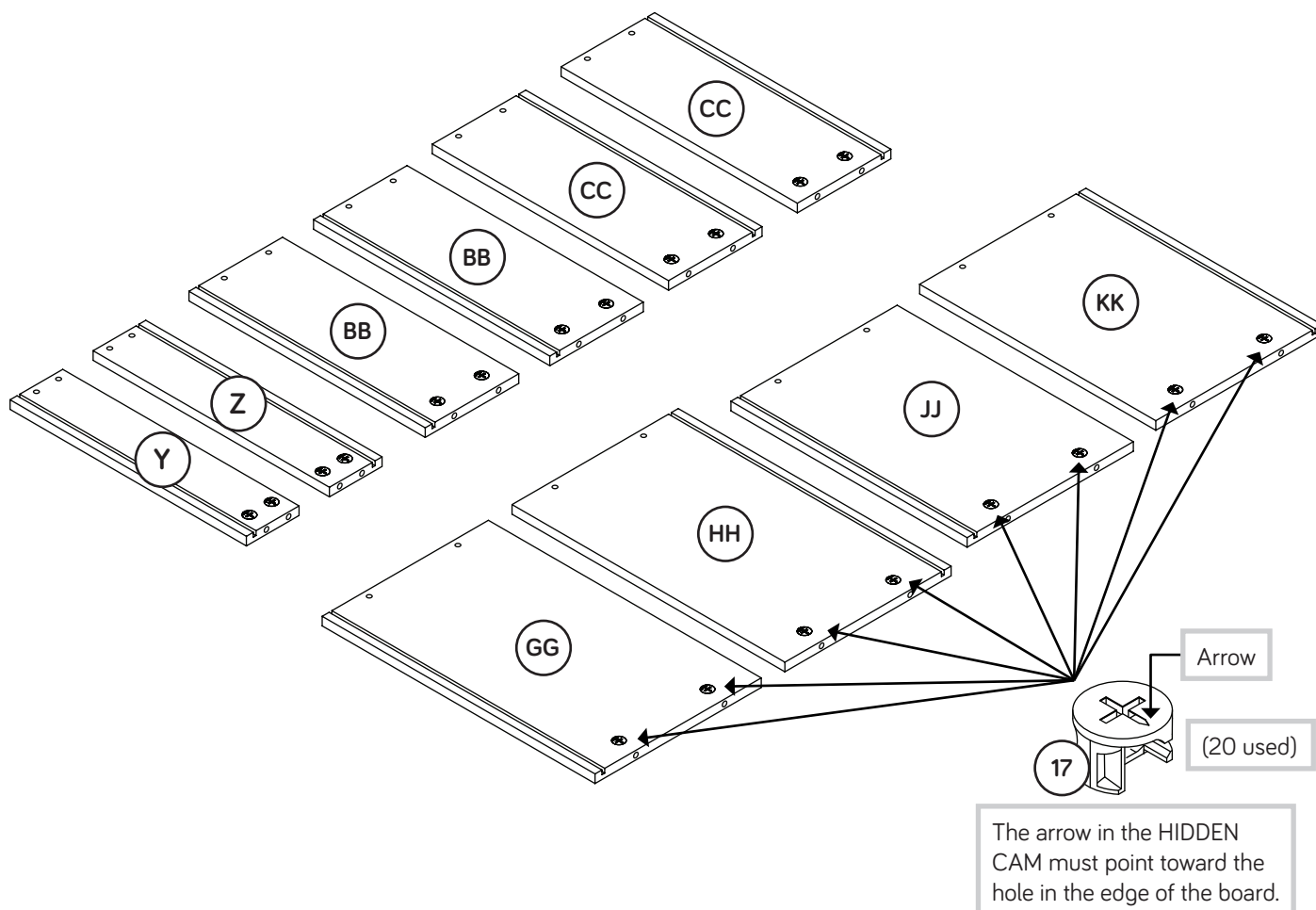
- 🔧 **NOTE:** You may need someone's help in this step.
- 🔧 Insert four LONG WOOD DOWELS (19) into the exact holes shown in the ENDS (QQ and RR) and UPRIGHTS (P and Q).
- 🔧 Fasten the TOP (TT) to the ENDS (QQ and RR), BACKS (K and M), and UPRIGHTS (P and Q). Tighten fifteen HIDDEN CAMS.
- 🔧 **NOTE:** Be sure the WOOD DOWELS in the ENDS and UPRIGHTS inserts into the holes in the TOP.



Step 38



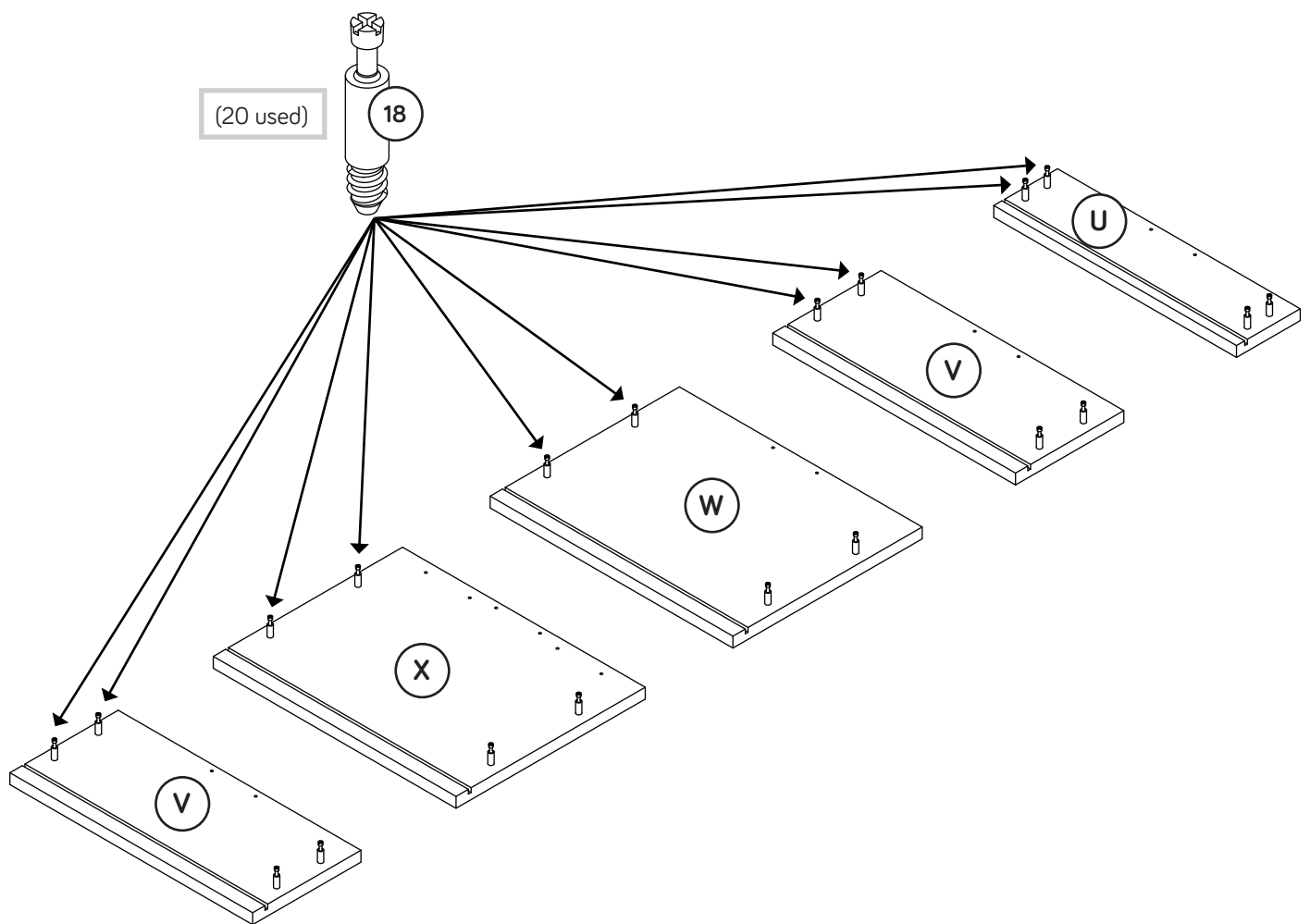
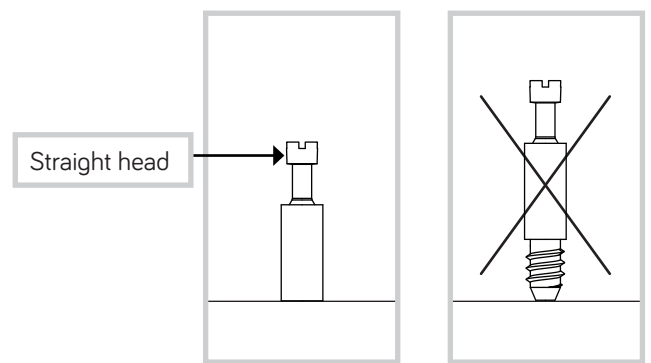
- Insert twenty SMALL HIDDEN CAMS (17) into the DRAWER SIDES (Y, Z, BB, CC, GG, HH, JJ, and KK).



Step 39



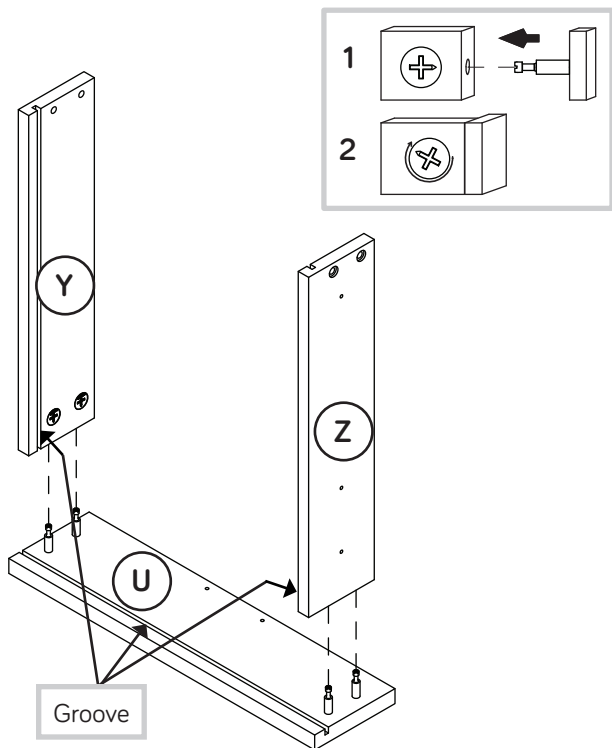
Turn twenty STRAIGHT HEAD CAM SCREWS (18) into the DRAWER FRONTS (U, V, W, and X).



Step 40

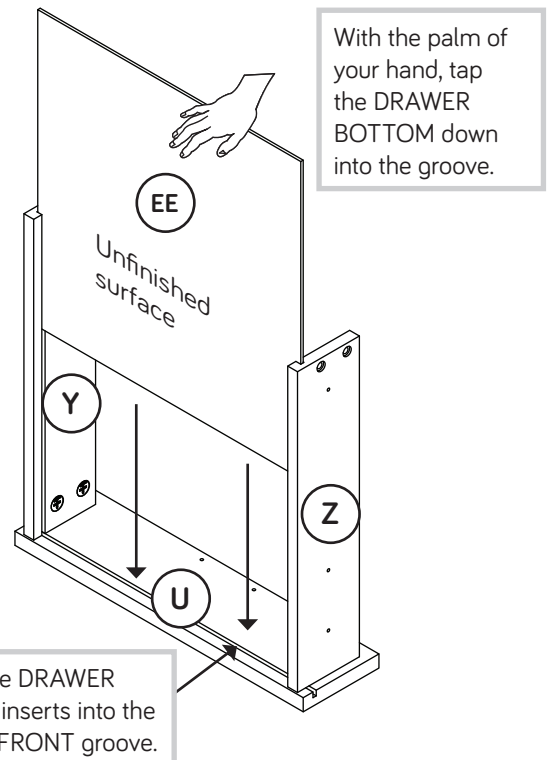


1



✚ Fasten the SMALL DRAWER SIDES (Y and Z) to the SMALL DRAWER FRONT (U). Tighten four HIDDEN CAMS.

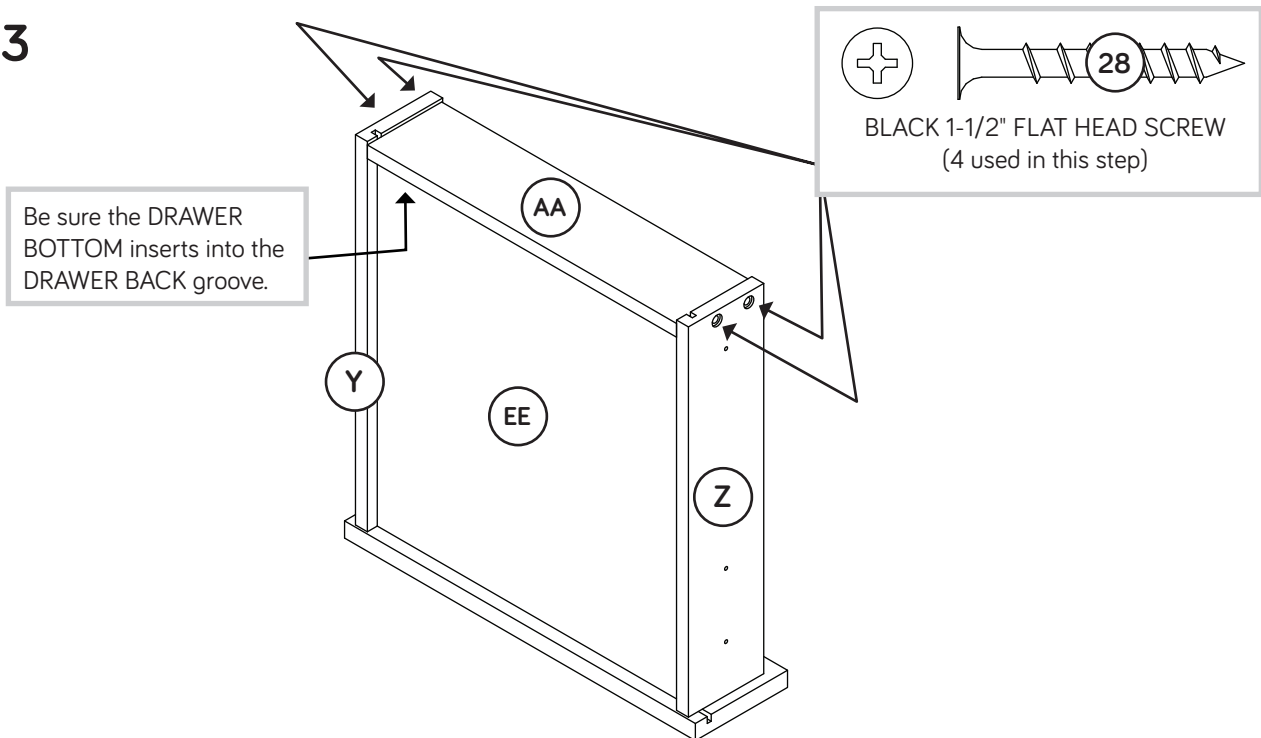
2



Be sure the DRAWER BOTTOM inserts into the DRAWER FRONT groove.

✚ Slide the DRAWER BOTTOM (EE) into the grooves in the SMALL DRAWER SIDES (Y and Z) and SMALL DRAWER FRONT (U).

3



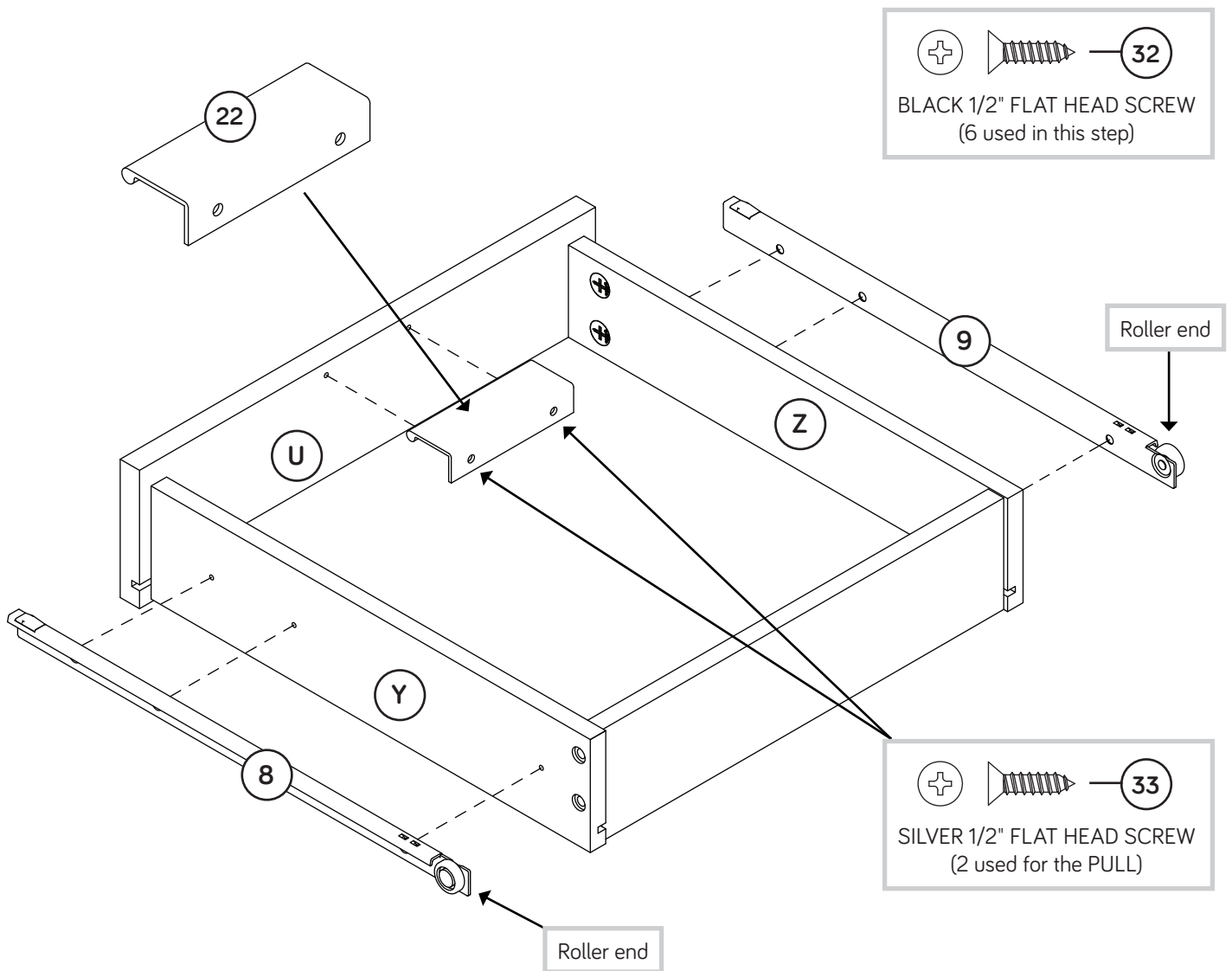
Be sure the DRAWER BOTTOM inserts into the DRAWER BACK groove.

✚ Fasten the SMALL DRAWER BACK (AA) to the SMALL DRAWER SIDES (Y and Z). Use four BLACK 1-1/2" FLAT HEAD SCREWS (28).

✚ **NOTE:** Be sure the DRAWER BOTTOM (EE) inserts into the groove of the SMALL DRAWER BACK (AA).

Step 41

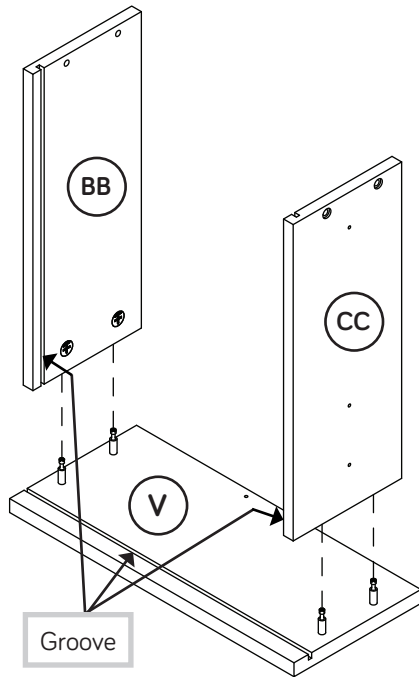
- Fasten the DRAWER SLIDES (8 and 9) to the SMALL DRAWER SIDES (Y and Z). Use six BLACK 1/2" FLAT HEAD SCREWS (32).
- Fasten a PULL (22) to the SMALL DRAWER FRONT (U). Use two SILVER 1/2" FLAT HEAD SCREWS (33).



Step 42

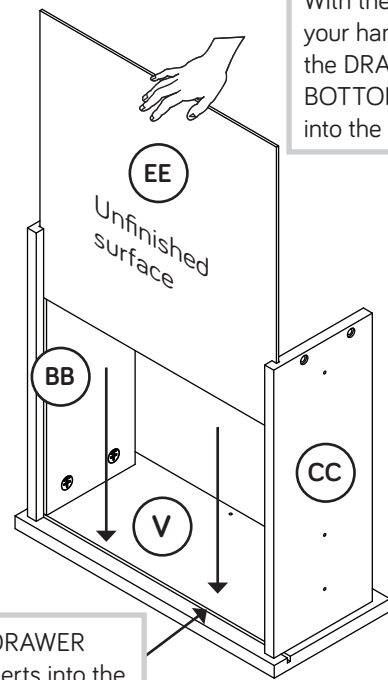


1



- Fasten the DRAWER SIDES (BB and CC) to the DRAWER FRONT (V). Tighten four HIDDEN CAMS.

2

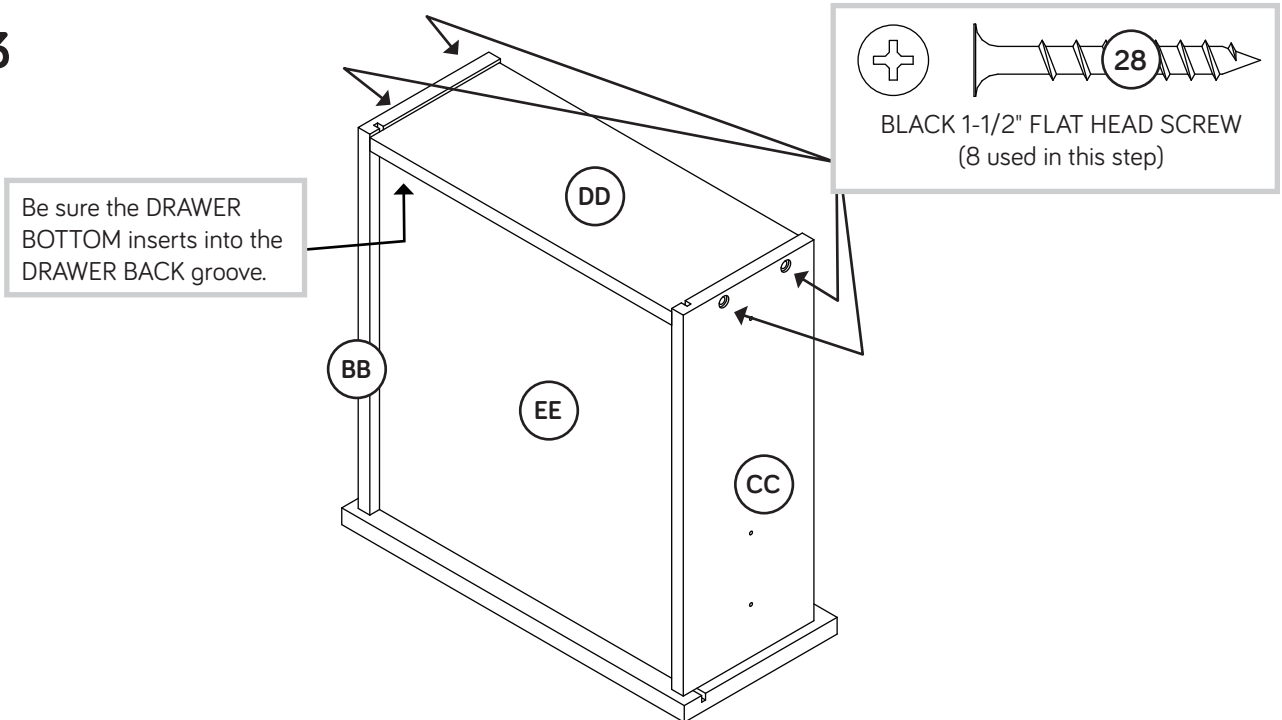


With the palm of your hand, tap the DRAWER BOTTOM down into the groove.

Be sure the DRAWER BOTTOM inserts into the DRAWER FRONT groove.

- Slide the DRAWER BOTTOM (EE) into the grooves in the DRAWER SIDES (BB and CC) and DRAWER FRONT (V).

3



Be sure the DRAWER BOTTOM inserts into the DRAWER BACK groove.



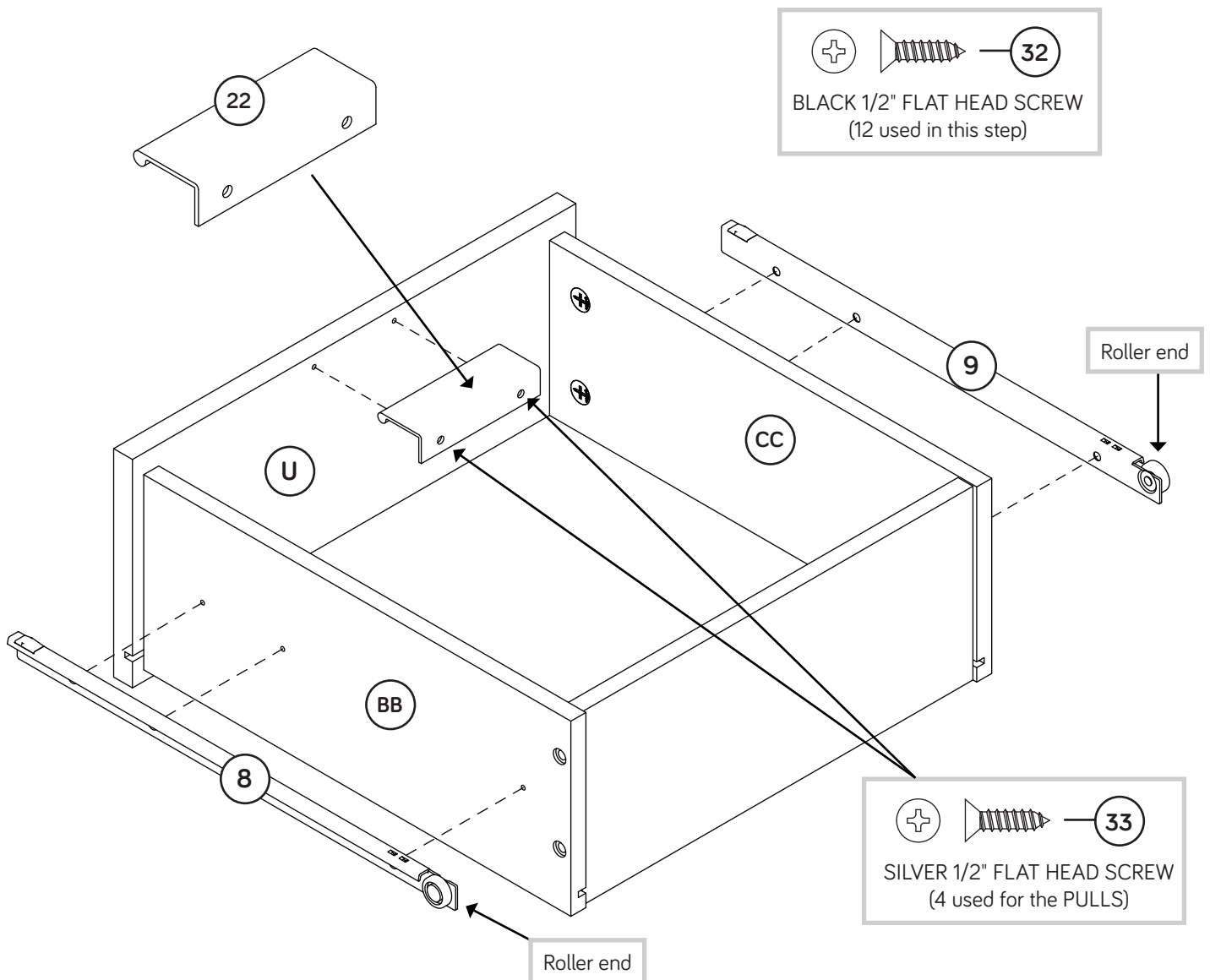
28

BLACK 1-1/2" FLAT HEAD SCREW
(8 used in this step)

- Fasten the DRAWER BACK (DD) to the DRAWER SIDES (BB and CC). Use four BLACK 1-1/2" FLAT HEAD SCREWS (28).
- NOTE:** Be sure the DRAWER BOTTOM (EE) inserts into the groove of the DRAWER BACK (DD).
- Repeat this step for the remaining DRAWER FRONT (V), DRAWER SIDES (BB and CC), DRAWER BACK (DD), and DRAWER BOTTOM (EE).

Step 43

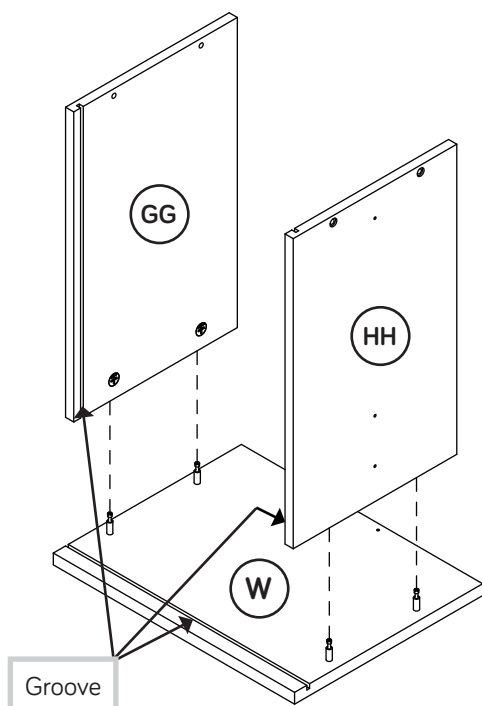
- Fasten the DRAWER SLIDES (8 and 9) to the DRAWER SIDES (BB and CC). Use six BLACK 1/2" FLAT HEAD SCREWS (32).
- Fasten a PULL (22) to the DRAWER FRONT (V). Use two SILVER 1/2" FLAT HEAD SCREWS (33).
- Repeat this step for the other drawer.



Step 44

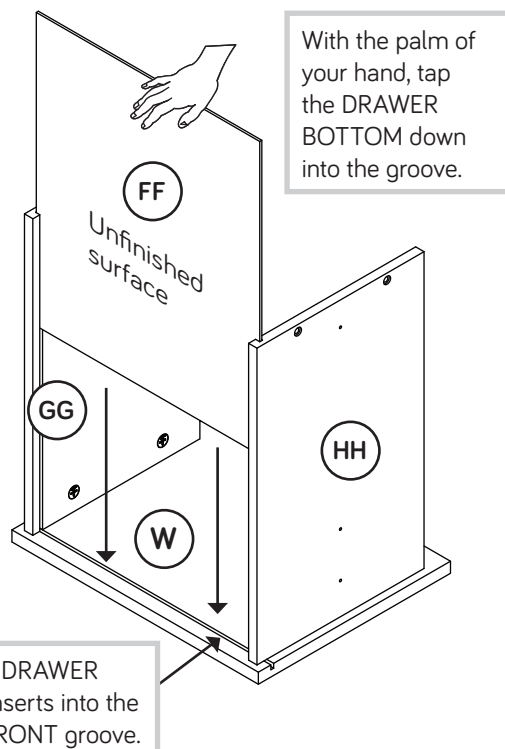


1



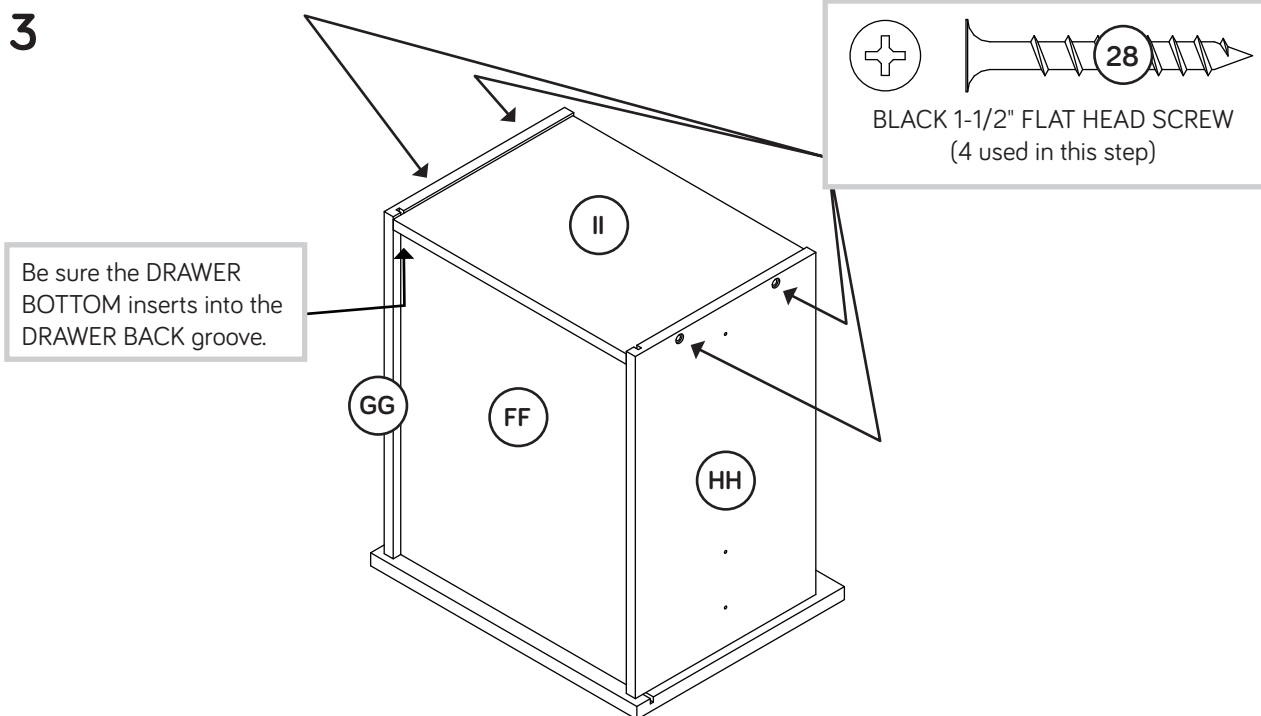
- Fasten the LARGE DRAWER SIDES (GG and HH) to the LARGE DRAWER FRONT (W). Tighten four HIDDEN CAMS.

2



- Slide the LARGE DRAWER BOTTOM (FF) into the grooves in the LARGE DRAWER SIDES (GG and HH) and LARGE DRAWER FRONT (W).

3

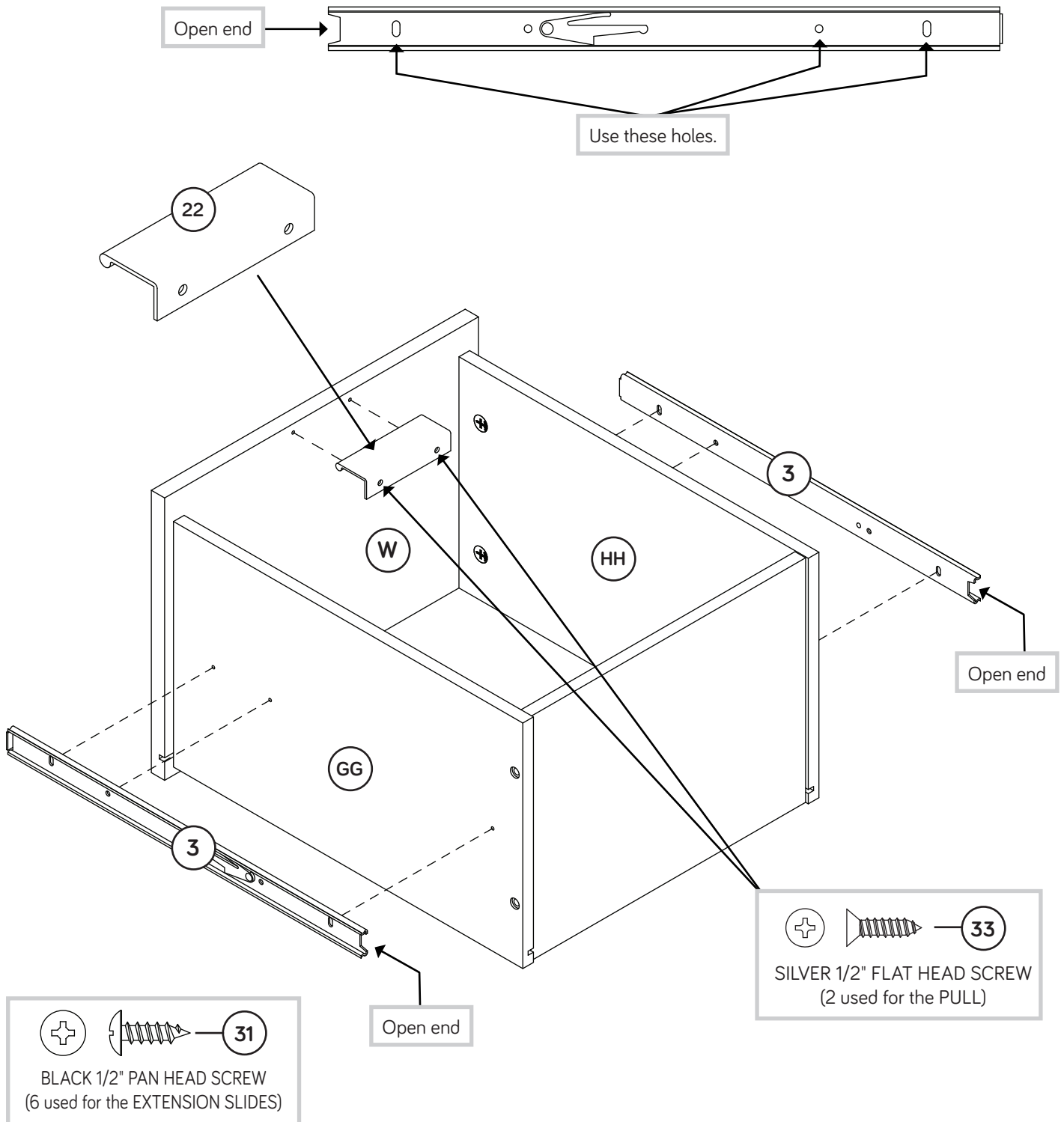


- Fasten the LARGE DRAWER BACK (II) to the LARGE DRAWER SIDES (GG and HH). Use four BLACK 1-1/2" FLAT HEAD SCREWS (28).

NOTE: Be sure the LARGE DRAWER BOTTOM (FF) inserts into the groove of the LARGE DRAWER BACK (II).

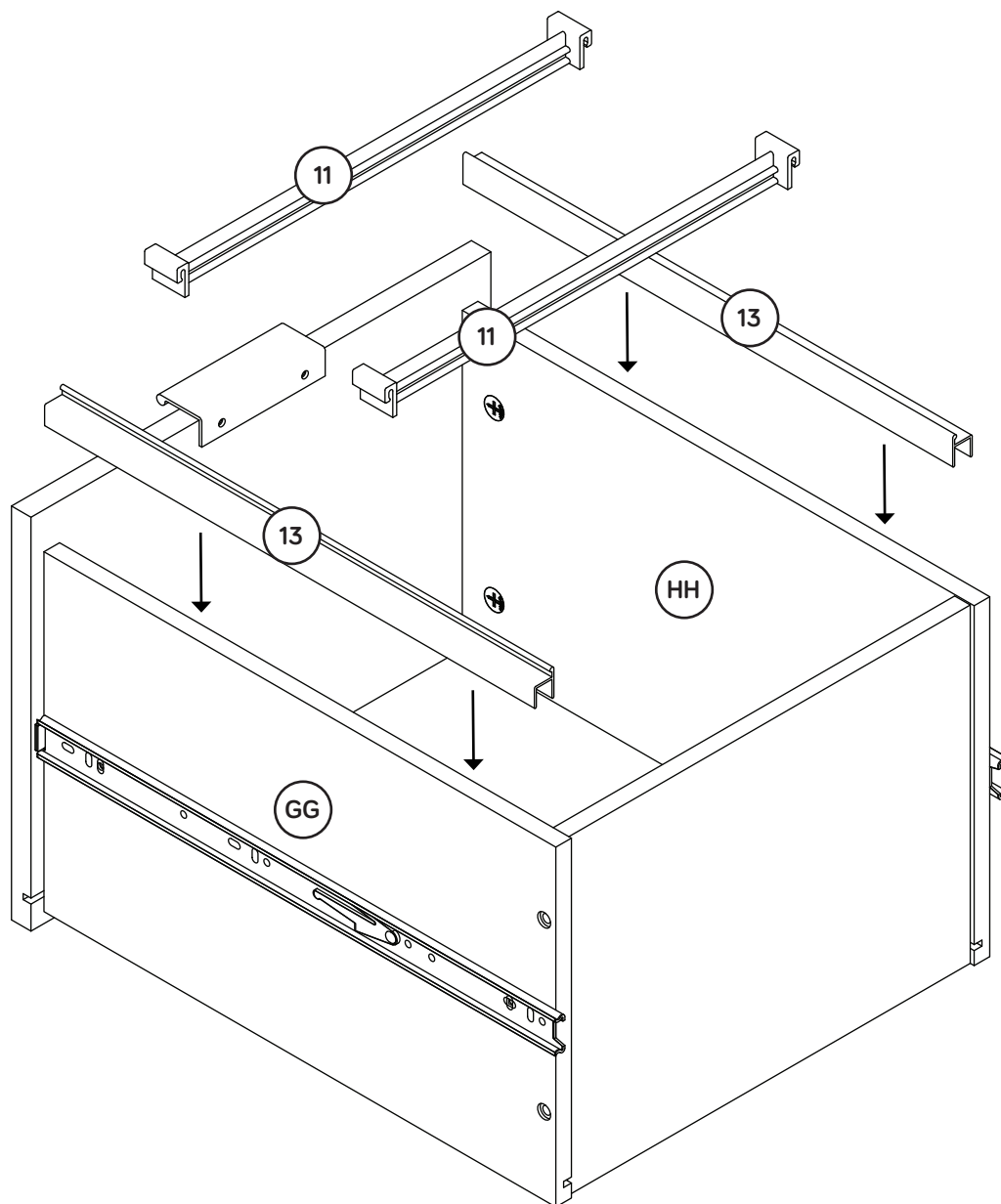
Step 45

- Fasten two LONG EXTENSION SLIDES (3) to the LARGE DRAWER SIDES (GG and HH). Use six BLACK 1/2" PAN HEAD SCREWS (31).
- Fasten a PULL (22) to the LARGE DRAWER FRONT (W). Use two SILVER 1/2" FLAT HEAD SCREWS (33).



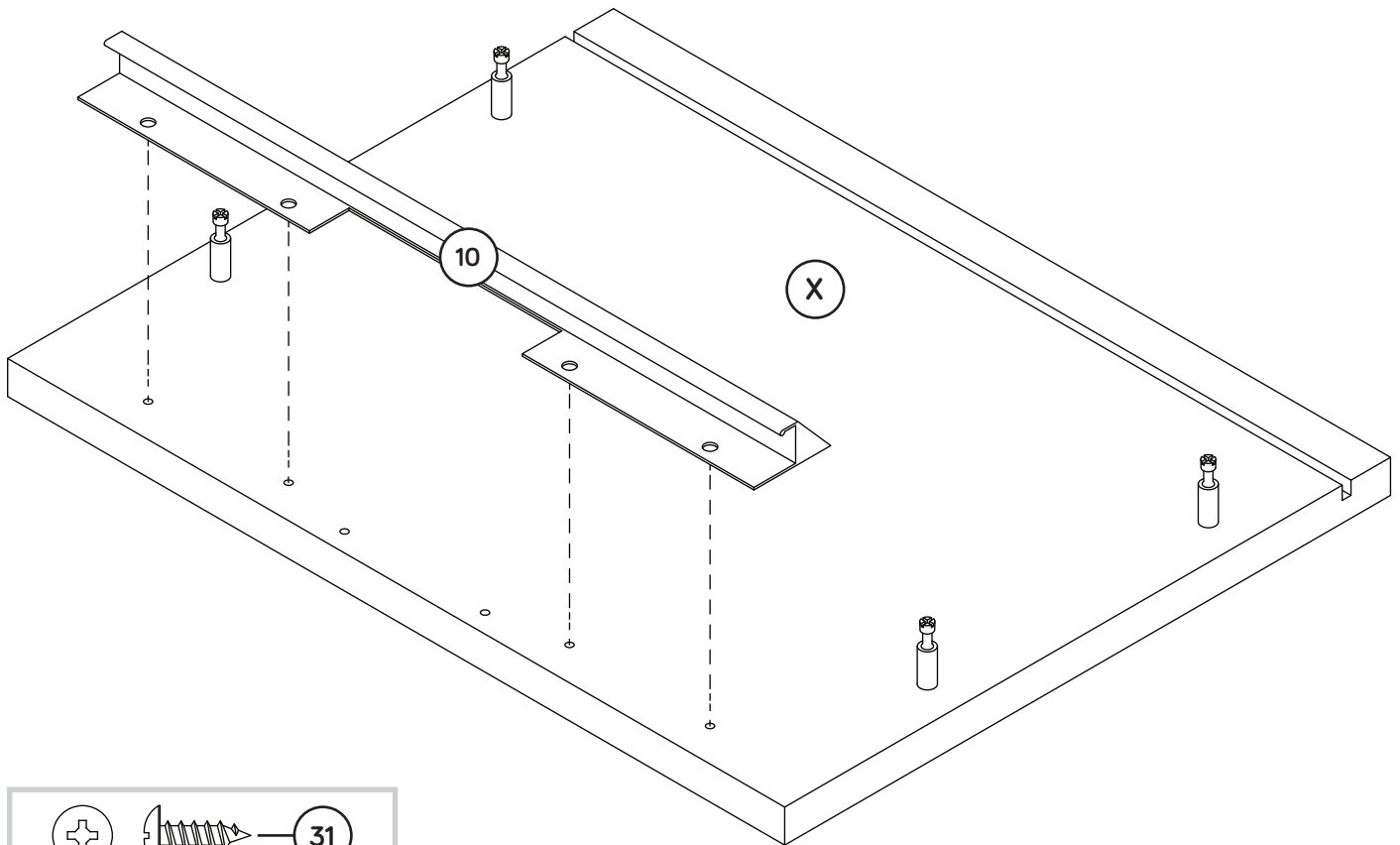
Step 46


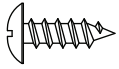

- ✚ Push the LONG FILE GLIDES (13) onto the LARGE DRAWER SIDES (GG and HH).
- ✚ Slide two FILE HANGERS (11) onto the LONG FILE GLIDES on the LARGE DRAWER SIDES (GG and HH).



Step 47

- Fasten the FRONT FILE GLIDE (10) to the RETURN DRAWER FRONT (X). Use four BLACK 1/2" PAN HEAD SCREWS (31).



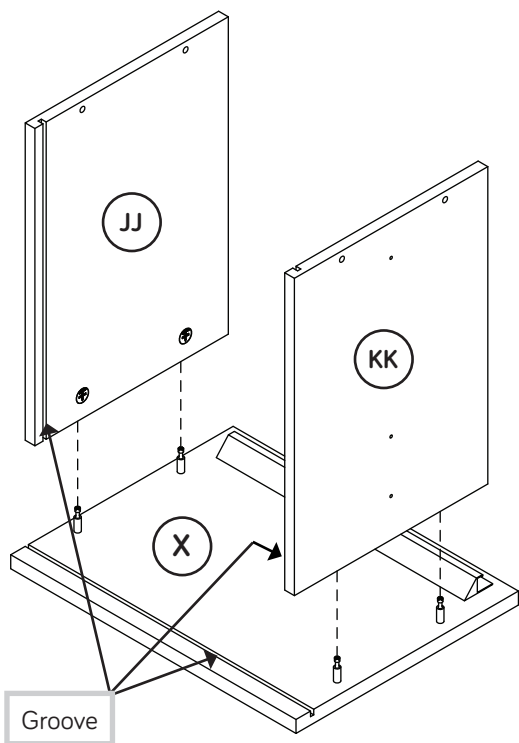
  

BLACK 1/2" PAN HEAD SCREW
(4 used in this step)

Step 48

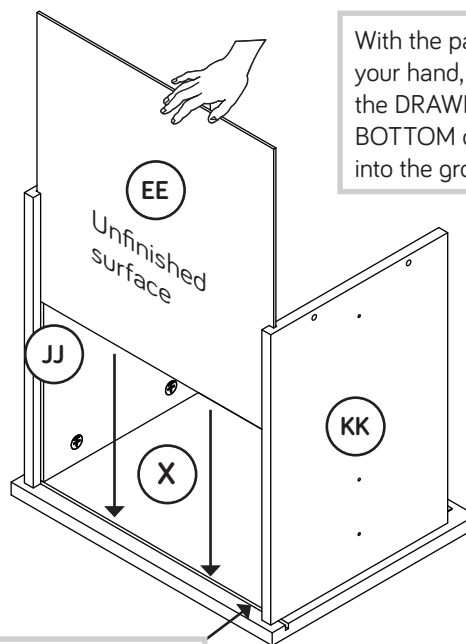


1



- Fasten the RETURN DRAWER SIDES (JJ and KK) to the RETURN DRAWER FRONT (X). Tighten four HIDDEN CAMS.

2

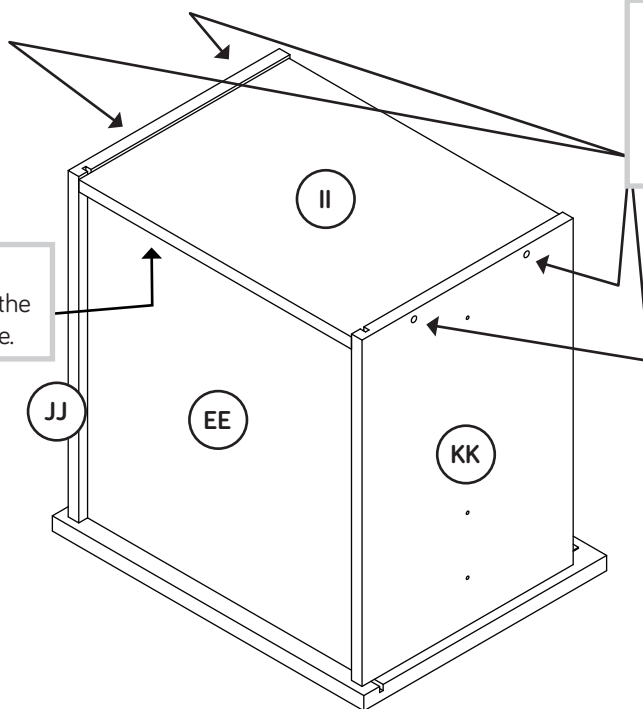


With the palm of your hand, tap the DRAWER BOTTOM down into the groove.

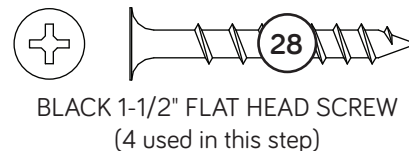
Be sure the DRAWER BOTTOM inserts into the DRAWER FRONT groove.

- Slide the DRAWER BOTTOM (EE) into the grooves in the RETURN DRAWER SIDES (JJ and KK) and RETURN DRAWER FRONT (X).

3



Be sure the DRAWER BOTTOM inserts into the DRAWER BACK groove.



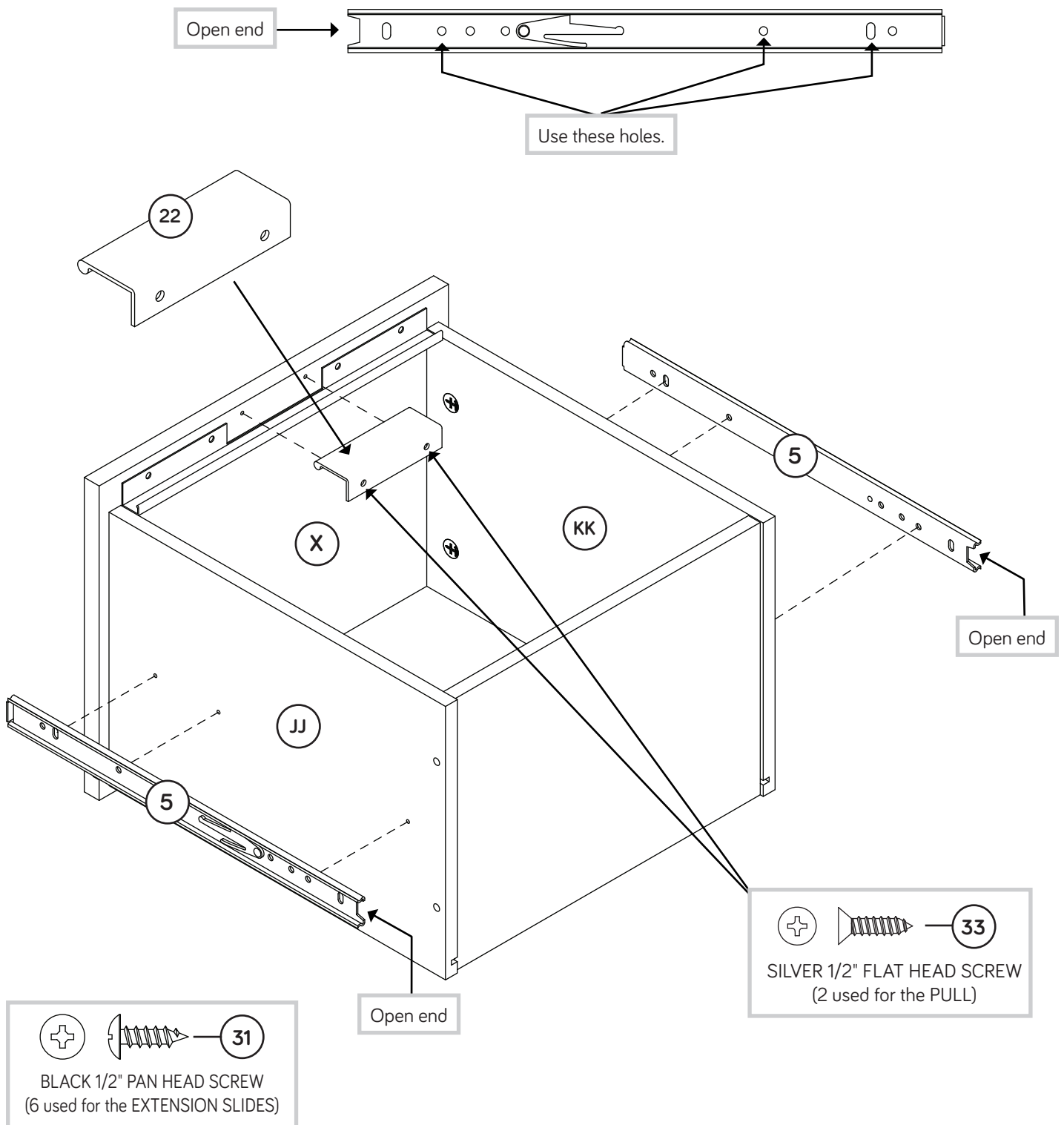
BLACK 1-1/2" FLAT HEAD SCREW
(4 used in this step)

- Fasten the LARGE DRAWER BACK (II) to the RETURN DRAWER SIDES (JJ and KK). Use four BLACK 1-1/2" FLAT HEAD SCREWS (28).

NOTE: Be sure the DRAWER BOTTOM (EE) inserts into the groove of the LARGE DRAWER BACK (II).

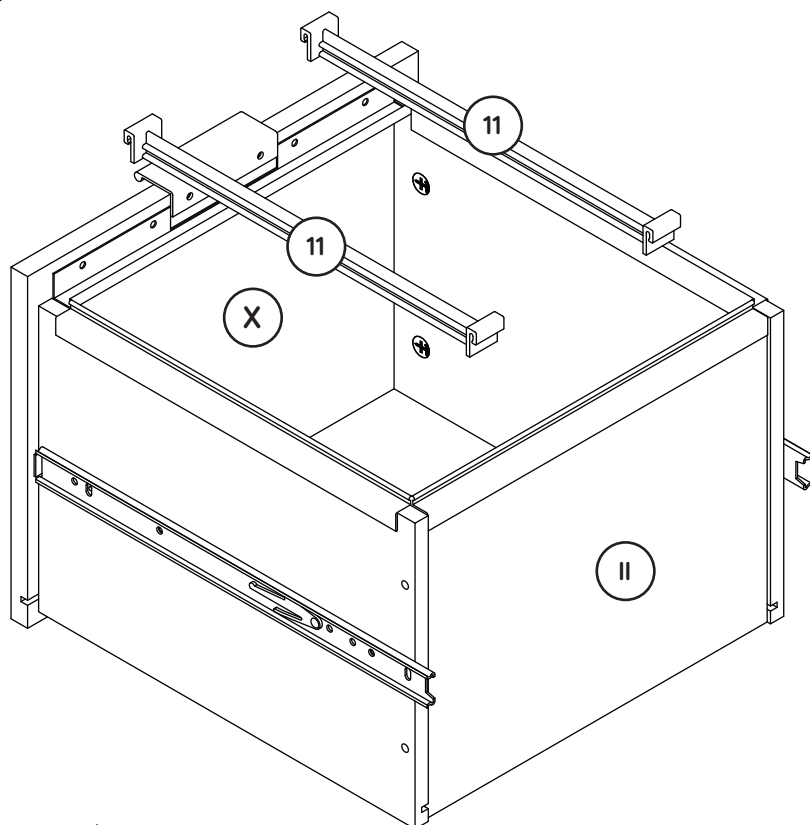
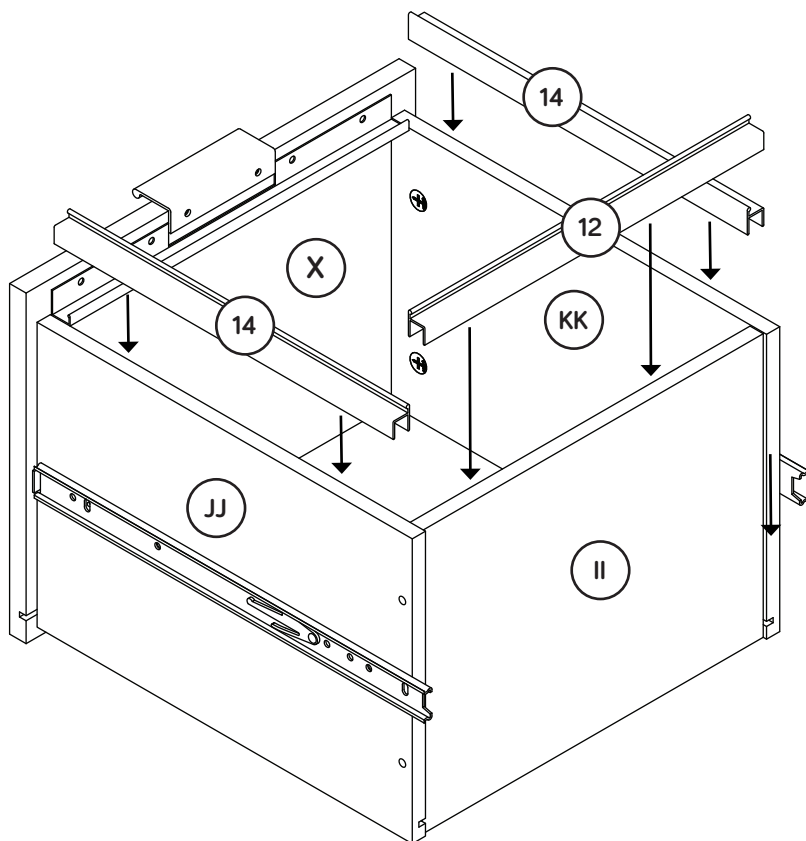
Step 49

- Fasten two EXTENSION SLIDES (5) to the RETURN DRAWER SIDES (JJ and KK). Use six BLACK 1/2" PAN HEAD SCREWS (31).
- Fasten a PULL (22) to the RETURN DRAWER FRONT (X). Use two SILVER 1/2" FLAT HEAD SCREWS (33).



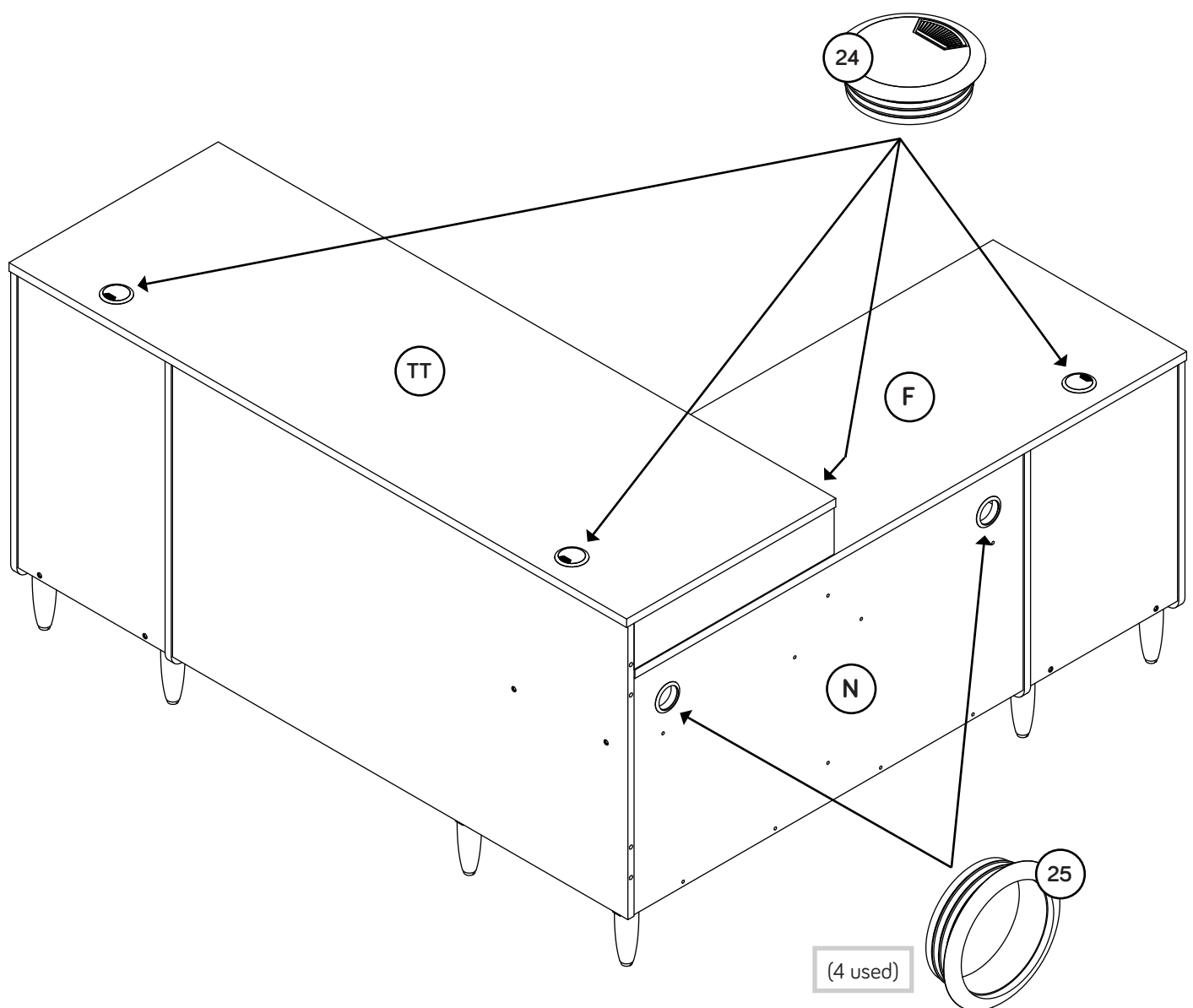
Step 50

- ✚ Push the BACK FILE GLIDE (12) onto the LARGE DRAWER BACK (II).
- ✚ Push the SHORT FILE GLIDES (14) onto the RETURN DRAWER SIDES (JJ and KK).
- ✚ Slide the FILE HANGERS (11) onto the FILE GLIDES on the RETURN DRAWER FRONT (X) and LARGE DRAWER BACK (II).
- ✚ NOTE: The FILE HANGERS can also be placed on the FILE GLIDES on the RETURN DRAWER SIDES (JJ and KK).



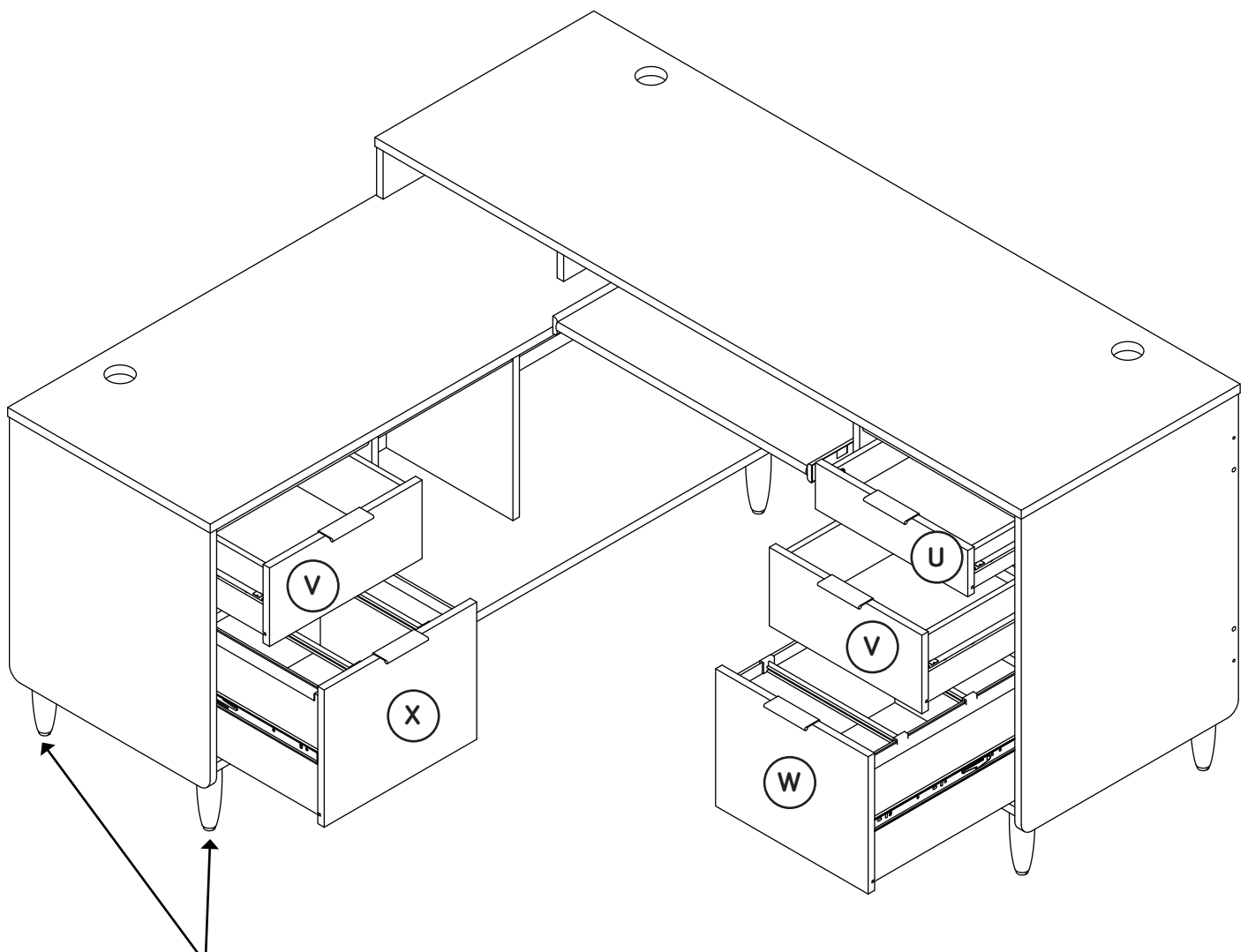
Step 51

- ✚ Insert four GROMMETS (25) into the large holes in the UPRIGHTS (C and SS) and RETURN BACK (N).
- ✚ Insert four GROMMETS WITH CAPS (24) into the large holes in the TOPS (TT and F).



Step 52

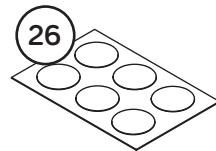
- ✦ Position your unit in its final location.
- ✦ **NOTE:** To raise a corner of the unit, turn the **ADJUSTABLE GLIDE** counter-clockwise. To lower a corner, turn the **ADJUSTABLE GLIDE** clockwise.
- ✦ To insert the **DRAWERS (U and V)** into your unit, tip the front of the drawers down and drop the rollers on the drawers behind the rollers on the unit.
- ✦ To insert the **LARGE DRAWERS (W and X)** into your unit, line up the **EXTENSION SLIDES** on the drawers with the **EXTENSION RAILS** on the unit and push the drawers into the unit until the drawers are fully inserted. The drawers will push in hard until they are all the way in, then they will slide in and out easier.



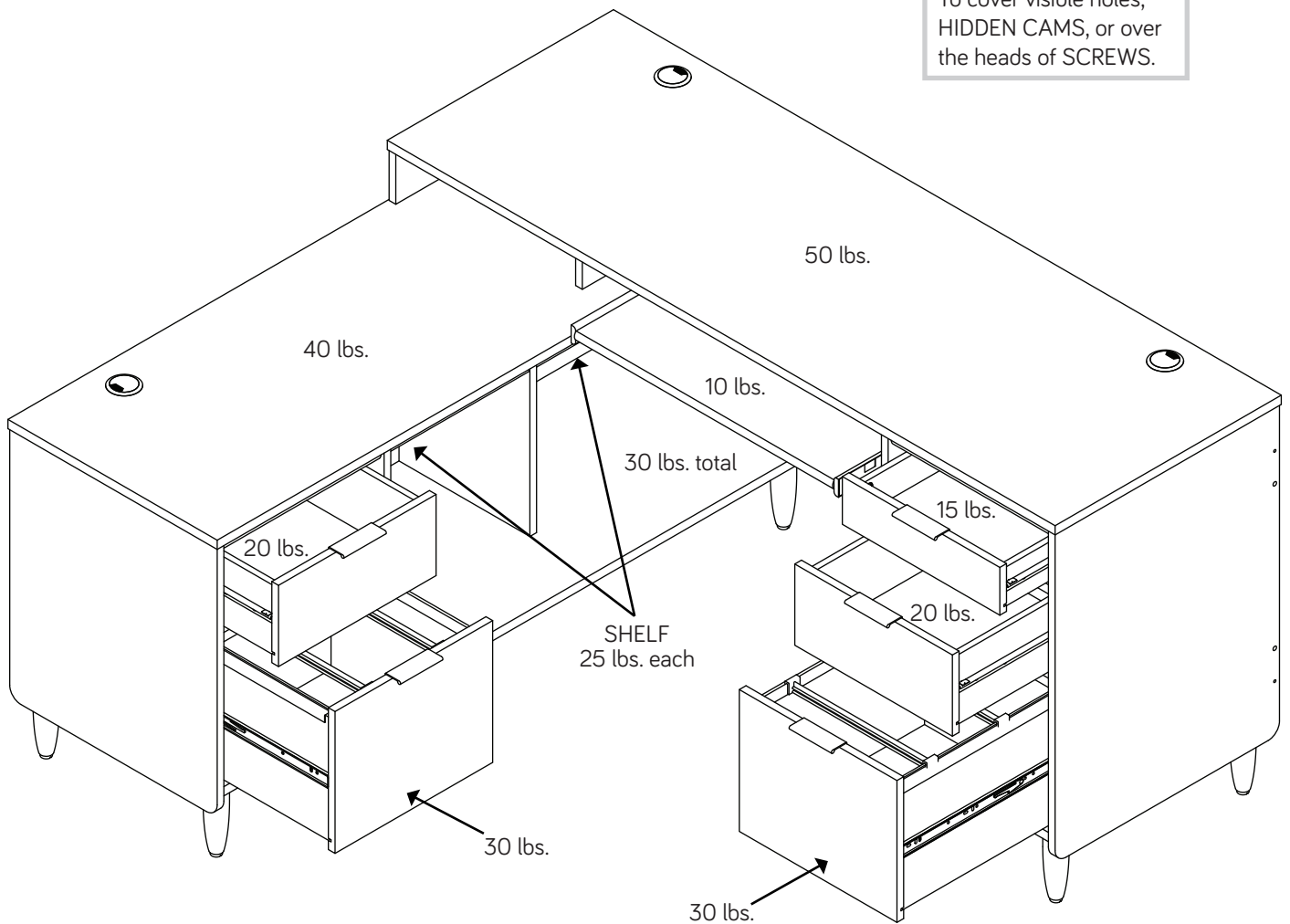
Make any needed adjustments to the **ADJUSTABLE GLIDES** to level your unit.

Step 53

- 🔪 Peel the **STICKERS** from the **APPLIQUE CARD (26)** and stick them onto each visible hole, **HIDDEN CAM**, or over the head of each visible **SCREW**.
- 🔪 **NOTE:** Please read the back pages of the instruction booklet for important safety information.
- 🔪 This completes assembly. Clean with a damp cloth. Wipe dry.
- ★ **And to celebrate, why not share your success story?**



To cover visible holes, HIDDEN CAMS, or over the heads of SCREWS.



Utilisez les instructions d'assemblage en français avec les schémas étape par étape du manuel d'instruction en anglais. Chaque étape en français correspond à la même étape en anglais. La pièce devant être attachée à l'élément est représentée en gris sur les schémas de chaque étape pour plus de précision. Comparer la "Liste de pièces" ci-dessous avec la "PART IDENTIFICATION" du manuel en anglais pour vous familiariser avec les pièces avant l'assemblage.

REMARQUE : CE MANUEL D'INSTRUCTIONS CONTIENT D'IMPORTANTES INFORMATIONS RELATIVES À LA SÉCURITÉ. À LIRE ET CONSERVER POUR TOUTE RÉFÉRENCE FUTURE.

NOUS SOMMES LA POUR VOUS AIDER!

Nous faisons de notre mieux pour nous assurer que votre meuble arrive dans d'excellentes conditions. Nos représentants du service Clientèle sont aimables et prêts à vous aider au cas où une pièce aurait été endommagée ou manquerait (ou si vous aviez besoin d'aide pour l'assemblage). NE RAMENEZ PAS LE MEUBLE AU MAGASIN. Au Canada, composez ce numéro d'appel gratuit:

1-800-445-1527

Du lundi au vendredi, de 9 heures du matin à 5:30 heures du soir (horaire Côte Est) (sauf jours fériés)

Si une pièce a besoin d'être remplacée, la pièce de remplacement sera envoyée dans les 48 heures. (Sauf week-ends et jours fériés)

A l'usage exclusif du Canada Noter la date d'achat de cet élément et conserver le livret pour future référence. Pour contacter Sauder en ce qui concerne cet élément, faire référence au numéro de lot et numéro de modèle en appelant notre numéro sans frais.

Lot n° : _____

Date de l'achat: _____

LISTE DE PIÈCES			LISTE DE PIÈCES		
REFERENCE	DESCRIPTION	QUANTITÉ	REFERENCE	DESCRIPTION	QUANTITÉ
REMARQUE : La pièce ZZ ne sera pas utilisée dans le retour sur l'assemblage à droite.					
C	MONTANT.....	1	1	ENSEMBLE DE COULISSEAUX DE TABLETTE.....	1
F	DESSUS DE RETOUR.....	1	2	GLISSIÈRE D'EXTENSION LONGUE.....	2
G	TABLETTE.....	2	3	COULISSE D'EXTENSION LONGUE.....	2
K	PETIT ARRIÈRE.....	1	(ENSEMBLE DE GLISSIÈRE ILLUSTRÉ À PART)		
L	PETIT ARRIÈRE DE RETOUR.....	1	4	GLISSIÈRE D'EXTENSION.....	2
N	ARRIÈRE DE RETOUR.....	1	5	COULISSE D'EXTENSION.....	2
O	TABLETTE DE CLAVIER.....	1	6	GLISSIÈRE DROITE D'ÉLÉMENT.....	3
P	COURT MONTANT.....	1	(ENSEMBLE DE GLISSIÈRE ILLUSTRÉ À PART)		
Q	LONG MONTANT.....	1	7	GLISSIÈRE GAUCHE D'ÉLÉMENT.....	3
R	RAIL SUPÉRIEUR.....	2	8	COULISSE DROITE DE TIROIR.....	3
S	ENTRETOISE.....	2	9	COULISSE GAUCHE DE TIROIR.....	3
T	ENTRETOISE DE RETOUR.....	1	10	ARMATURE AVANT POUR DOSSIERS.....	1
U	DEVANT DE PETIT TIROIR.....	1	11	SUPPORT POUR DOSSIERS.....	4
V	DEVANT DE TIROIR.....	2	12	ARMATURE ARRIÈRE POUR DOSSIERS.....	1
W	DEVANT DE GRAND TIROIR.....	1	13	ARMATURE LONGUE POUR DOSSIERS.....	2
X	DEVANT DE TIROIR DE RETOUR.....	1	14	ARMATURE COURTE POUR DOSSIERS.....	2
Y	CÔTÉ DROIT DE PETIT TIROIR.....	1	15	GRANDE EXCENTRIQUE ESCAMOTABLE.....	57
Z	CÔTÉ GAUCHE DE PETIT TIROIR.....	1	16	VIS D'EXCENTRIQUE AVEC TÊTE EN ANGLE.....	57
AA	ARRIÈRE DE PETIT TIROIR.....	1	17	PETITE EXCENTRIQUE ESCAMOTABLE.....	20
BB	CÔTÉ DROIT DE TIROIR.....	2	18	VIS D'EXCENTRIQUE AVEC TÊTE DROITE.....	20
CC	CÔTÉ GAUCHE DE TIROIR.....	2	(Ne pas ouvrir les pièces 17 et 18 jusqu'à ce que vous êtes prêt à assembler les tiroirs.)		
DD	ARRIÈRE DE TIROIR.....	2	19	LONGUE CHEVILLE EN BOIS.....	40
EE	FOND DE TIROIR.....	4	20	COURTE CHEVILLE EN BOIS.....	12
FF	FOND DE GRAND TIROIR.....	1	21	CONSOLE.....	2
GG	CÔTÉ DROIT DE GRAND TIROIR.....	1	22	POIGNÉE.....	5
HH	CÔTÉ GAUCHE DE GRAND TIROIR.....	1	23	PATIN RÉGLABLE.....	11
II	ARRIÈRE DE GRAND TIROIR.....	2	24	PASSE-CÂBLES AVEC COUVERCLE.....	4
JJ	CÔTÉ DROIT DE TIROIR DE RETOUR.....	1	26	FICHE D'APPLIQUÉS.....	1
KK	CÔTÉ GAUCHE DE TIROIR DE RETOUR.....	1	27	GRANDE FICHE D'APPLIQUÉS.....	1
LL	RAIL INFÉRIEUR LONG.....	2	35	CONSOLE DE PIED.....	10
MM	RAIL INFÉRIEUR.....	4			
NN	PIED.....	11	28	VIS TÊTE PLATE 38 mm NOIRE.....	44
QQ	EXTRÉMITÉ DROITE.....	1	29	VIS TÊTE PLATE 28 mm NOIRE.....	18
RR	EXTRÉMITÉ GAUCHE.....	1	30	VIS TÊTE LARGE 15 mm NOIRE.....	4
SS	MONTANT DE RETOUR.....	1	31	VIS TÊTE GOUTTE DE SUIF 13 mm NOIRE.....	40
TT	DESSUS.....	1	32	VIS TÊTE PLATE 13 mm NOIRE.....	36
UU	PETIT DESSOUS.....	1	33	VIS TÊTE PLATE 13 mm ARGENTÉE.....	10
VV	DESSOUS.....	1	34	VIS TÊTE GOUTTE DE SUIF 14 mm.....	40
WW	PETIT DESSOUS DE RETOUR.....	1			
XX	ARRIÈRE.....	1			
YY	EXTRÉMITÉ GAUCHE DE RETOUR.....	1			
ZZ	EXTRÉMITÉ DROITE DE RETOUR.....	1			

ÉTAPE 1

Assembler l'élément sur un sol à moquette ou sur le carton vide pour éviter d'endommager l'élément ou le sol.

Enfoncer cinquante EXCENTRIQUES ESCAMOTABLES (15) dans les EXTRÉMITÉS (QQ et RR), le MONTANT (C), le MONTANT DE RETOUR (SS), les TABLETTES (G), les DESSOUS (VV), les ARRIÈRES (K et L), l'ARRIÈRE DE RETOUR (N), le COURT MONTANT (P), le LONG MONTANT (Q), les ENTRETOISES (S et T) et l'EXTRÉMITÉ GAUCHE DE RETOUR (YY).

ÉTAPE 2

Serrer quatorze VIS D'EXCENTRIQUE AVEC TÊTE EN ANGLE (16) dans les trous exacts illustrés dans les EXTRÉMITÉS (QQ et RR), le MONTANT (C), et l'EXTRÉMITÉ GAUCHE DE RETOUR (YY).

ÉTAPE 3

Fixer huit CONSOLES DE PIED (35) au PETIT DESSOUS (UU et WW). Utiliser seize VIS TÊTE MINCE 14 mm (34).

Décoller un autocollant de la GRANDE FICHE D'APPLIQUÉS (27) et coller l'autocollant sur le gros trou du DESSOUS (VV).

ÉTAPE 4

Faire tourner huit PIEDS (NN) dans les PETITS DESSOUS (UU et WW).

REMARQUE : Ne pas trop serrer les PIEDS.

Ensuite, faire tourner huit VÉRINS (23) dans les PIEDS (NN).

REMARQUE : Tourner les VÉRINS jusqu'à ce qu'il soit inséré jusqu'au fond. Les ajustements au pied se feront une fois que l'unité sera à la verticale.

ÉTAPE 5

Insérer quatre COURTES CHEVILLES EN BOIS (20) dans les PETITS DESSOUS (UU et WW).

Fixer quatre RAILS INFÉRIEURS (MM) aux PETITS DESSOUS (UU et WW). Utiliser huit VIS TÊTE PLATE 28 mm NOIRES (29).

REMARQUE : S'assurer d'insérer les COURTES CHEVILLES EN BOIS des PETITS DESSOUS dans les RAILS INFÉRIEURS.

ÉTAPE 6

Séparer les LONGUES COULISSES D'EXTENSION (3) des LONGUES GLISSIÈRES D'EXTENSION (2) comme l'indique le schéma agrandi ci-dessous. Faire attention car les pièces sont graissées.

Fixer deux LONGUES GLISSIÈRES D'EXTENSION (2) aux EXTRÉMITÉS (QQ et RR). Utiliser six VIS TÊTE GOUTTE DE SUIF 13 mm NOIRES (31).

REMARQUE : Pour chaque GLISSIÈRE D'EXTENSION, faire tourner une VIS dans le trou indiqué dans le schéma agrandi. Ensuite, enfiler la cartouche interne de la GLISSIÈRE D'EXTENSION vers l'intérieur pour trouver les autres trous qui sont alignés sur les trous dans les EXTRÉMITÉS. Faire tourner une VIS dans ce trou.

REMARQUE : Les LONGUES COULISSES D'EXTENSION seront utilisées ultérieurement pour le GRAND TIROIR.

ÉTAPE 7

Fixer les GLISSIÈRES D'ÉLÉMENT (6 et 7) aux EXTRÉMITÉS (QQ et RR). Utiliser douze VIS TÊTE PLATE 13 mm NOIRES (32).

ÉTAPE 8

Insérer deux LONGUES CHEVILLES EN BOIS (19) dans les trous exacts illustrés dans l'EXTRÉMITÉ DROITE (RR).

Fixer le PETIT DESSOUS (UU) à l'EXTRÉMITÉ GAUCHE (RR). Utiliser quatre VIS TÊTE MINCE 14 mm (34) à travers les CONSOLES DE PIED situées sur le PETIT DESSOUS (UU) et dans l'EXTRÉMITÉ GAUCHE.

REMARQUE : S'assurer de bien insérer les CHEVILLES EN BOIS dans l'EXTRÉMITÉ GAUCHE dans les trous du PETIT DESSOUS.

ÉTAPE 9

Insérer quatre LONGUES CHEVILLES EN BOIS (19) dans les trous exacts illustrés dans l'EXTRÉMITÉ GAUCHE (RR).

Fixer le PETIT ARRIÈRE (K) aux ENTRETOISES (S) à l'EXTRÉMITÉ GAUCHE (RR). Serrer quatre EXCENTRIQUES ESCAMOTABLES.

REMARQUE : S'assurer de bien insérer les LONGUES CHEVILLES EN BOIS de l'EXTRÉMITÉ GAUCHE dans le PETIT ARRIÈRE et les ENTRETOISES.

Fixer le PETIT ARRIÈRE (K) au PETIT DESSUS (UU). Utiliser deux VIS TÊTE PLATE 38 mm NOIRES (28).

ÉTAPE 10

Insérer six LONGUES CHEVILLES EN BOIS (19) dans l'EXTRÉMITÉ DROITE (QQ).

Fixer l'EXTRÉMITÉ DROITE (QQ) à PETIT ARRIÈRE (K) et aux ENTRETOISES (S). Serrer quatre EXCENTRIQUES ESCAMOTABLES.

Fixer l'EXTRÉMITÉ DROITE (QQ) au PETIT DESSOUS (UU). Utiliser quatre VIS TÊTE MINCE 14 mm (34) à travers les CONSOLES DE PIED situées sur le PETIT DESSOUS et dans l'EXTRÉMITÉ DROITE.

REMARQUE : S'assurer de bien insérer les LONGUES CHEVILLES EN BOIS situées sur l'EXTRÉMITÉ DROITE dans les trous du PETIT DESSOUS, PETIT ARRIÈRE et des ENTRETOISES.

ÉTAPE 11

Faire tourner six VIS D'EXCENTRIQUE AVEC TÊTE EN ANGLE (16) dans les trous exacts illustrés dans le MONTANT DE RETOUR (SS).

ÉTAPE 12

Séparer les COULISSES D'EXTENSION (5) des GLISSIÈRES D'EXTENSION (4) comme l'indique le schéma agrandi ci-dessous. Faire attention car les pièces sont graissées.

Fixer deux GLISSIÈRES D'EXTENSION (4) au MONTANT DE RETOUR (SS) et à l'EXTRÉMITÉ GAUCHE DE RETOUR (YY). Utiliser six VIS TÊTE GOUTTE DE SUIF 13 mm NOIRES (31).

REMARQUE : Pour chaque GLISSIÈRE D'EXTENSION, faire tourner une VIS dans le trou indiqué dans le schéma agrandi. Ensuite, enfiler la cartouche interne de la GLISSIÈRE D'EXTENSION vers l'intérieur pour trouver les autres trous qui sont alignés sur les trous dans le MONTANT et l'EXTRÉMITÉ. Faire tourner une VIS dans ce trou.

REMARQUE : Les COULISSES D'EXTENSION seront utilisées ultérieurement pour le TIROIR DE RETOUR.

ÉTAPE 13

Fixer les GLISSIÈRES D'EXTENSION (6 et 7) au MONTANT DE RETOUR (SS) et à l'EXTRÉMITÉ GAUCHE DE RETOUR (YY). Utiliser six VIS TÊTE PLATE 13 mm NOIRES (32).

ÉTAPE 14

Enfiler le PETIT ARRIÈRE DE RETOUR (L) sur le PETIT DESSOUS DE RETOUR (WW). Utiliser deux VIS TÊTE PLATE 38 mm NOIRES (28).

ÉTAPE 15

Insérer quatre LONGUES CHEVILLES EN BOIS (19) dans les trous exacts illustrés dans le MONTANT DE RETOUR (SS).

Fixer le PETIT DESSOUS DE RETOUR (WW) et le PETIT ARRIÈRE DE RETOUR (L) au MONTANT DE RETOUR (SS). Serrer deux EXCENTRIQUES ESCAMOTABLES et utiliser quatre VIS TÊTE MINCE 14 mm (34) à travers les CONSOLE DE PIED situées sur le PETIT DESSOUS DE RETOUR et dans le MONTANT DE RETOUR.

REMARQUE : S'assurer de bien insérer les LONGUES CHEVILLES EN BOIS situées sur le MONTANT DE RETOUR dans les trous du PETIT DESSOUS DE RETOUR et PETIT ARRIÈRE DE RETOUR.

ÉTAPE 16

Fixer l'ENTRETOISE DE RETOUR (T) au MONTANT DE RETOUR (SS). Serrer deux EXCENTRIQUES ESCAMOTABLES.

ÉTAPE 17

Insérer quatre LONGUES CHEVILLES EN BOIS (19) dans l'EXTRÉMITÉ GAUCHE DE RETOUR (YY).

Fixer l'EXTRÉMITÉ GAUCHE DE RETOUR (YY) à PETIT ARRIÈRE DE RETOUR (L) et l'ENTRETOISE DE RETOUR (T). Serrer quatre EXCENTRIQUES ESCAMOTABLES.

Fixer l'EXTRÉMITÉ GAUCHE DE RETOUR (YY) au PETIT DESSOUS DE RETOUR (WW). Utiliser quatre VIS TÊTE MINCE 14 mm (34) à travers les CONSOLES DE PIED situées sur le PETIT DESSOUS DE RETOUR et dans l'EXTRÉMITÉ GAUCHE DE RETOUR.

REMARQUE : S'assurer de bien insérer les LONGUES CHEVILLES EN BOIS situées sur l'EXTRÉMITÉ DROITE DE RETOUR dans les trous du PETIT DESSOUS DE RETOUR, PETIT ARRIÈRE DE RETOUR et de l'ENTRETOISE DE RETOUR.

ÉTAPE 18

Fixer le MONTANT (C) à l'une des TABLETTES (G). Utiliser deux VIS TÊTE PLATE 38 mm NOIRES (28).

ÉTAPE 19

Fixer l'autre TABLETTE (G) au MONTANT (C). Serrer deux EXCENTRIQUES ESCAMOTABLES.

ÉTAPE 20

Fixer deux CONSOLES DE PIED (35) au DESSOUS (VV). Utiliser quatre VIS TÊTE MINCE 14 mm (34).

Fixer le DESSOUS (VV) au MONTANT (C). Utiliser deux VIS TÊTE PLATE 38 mm NOIRES (28).

ÉTAPE 21

Avec précaution, retourner l'élément sur ses chants avant.

Insérer quatre LONGUES CHEVILLES EN BOIS (19) dans les trous exacts illustrés dans l'ARRIÈRE DE RETOUR (N).

Fixer l'ARRIÈRE DE RETOUR (N) au MONTANT (C), aux TABLETTES (G) et au DESSOUS (VV). Utiliser dix VIS TÊTE PLATE 38 mm NOIRES (28).

REMARQUE : S'assurer de bien insérer les LONGUES CHEVILLES EN BOIS situées sur l'ARRIÈRE DE RETOUR dans les trous dans le MONTANT et les TABLETTES.

ÉTAPE 22

Reposer soigneusement l'ensemble sur son dos.

Faire tourner trois PIEDS (NN) dans le DESSOUS (VV).

REMARQUE : Ne pas trop serrer les PIEDS.

Ensuite, faire tourner trois VÉRINS (23) dans les PIEDS (NN).

REMARQUE : Tourner les VÉRINS jusqu'à ce qu'il soit inséré jusqu'au fond. Les ajustements au pied se feront une fois que l'unité sera à la verticale.

ÉTAPE 23

Insérer quatre COURTES CHEVILLES EN BOIS (20) dans le DESSOUS (VV).

Fixer deux RAILS INFÉRIEURS LONGS (LL) sur le DESSOUS (VV). Utiliser six VIS TÊTE PLATE 28 mm NOIRES (29).

REMARQUE : S'assurer de bien insérer les COURTES CHEVILLES EN BOIS située sur le DESSOUS dans les trous dans les RAILS INFÉRIEURS LONGS.

ÉTAPE 24

Faire tourner six VIS D'EXCENTRIQUE AVEC TÊTE EN ANGLE (16) dans les trous exacts illustrés dans le MONTANT DE RETOUR (SS).

Insérer quatre LONGUES CHEVILLES EN BOIS (19) dans les trous exacts illustrés dans le MONTANT DE RETOUR (SS).

ÉTAPE 25

REMARQUE : L'assistance d'autrui peut être nécessaire à cette étape.

Fixer le MONTANT DE RETOUR (SS) à la TABLETTE (G), au DESSOUS (VV) et à l'ARRIÈRE DE RETOUR (N). Serrer six EXCENTRIQUES ESCAMOTABLES.

REMARQUE : S'assurer de bien insérer les LONGUES CHEVILLES EN BOIS situées sur le MONTANT DE RETOUR dans les trous de la TABLETTE, du DESSOUS et ARRIÈRE DE RETOUR.

ÉTAPE 26

REMARQUE : S'assurer de placer le DESSUS DE RETOUR exactement comme il l'est indiqué.

Faire tourner douze VIS D'EXCENTRIQUE AVEC TÊTE EN ANGLE (16) dans les trous exacts illustrés dans le DESSUS DE RETOUR (F).

ÉTAPE 27

REMARQUE : S'assurer de placer le DESSUS DE RETOUR exactement comme il l'est indiqué.

Insérer deux COURTES CHEVILLES EN BOIS (20) dans les trous exacts illustrés dans le DESSUS DE RETOUR (F).

Fixer un RAIL SUPÉRIEUR (R) au DESSUS DE RETOUR (F). Utiliser deux VIS TÊTE PLATE 28 mm NOIRES (29).

REMARQUE : S'assurer de bien insérer les COURTES CHEVILLES EN BOIS situées sur le DESSUS DE RETOUR dans les trous du RAIL SUPÉRIEUR.

Fixer deux CONSOLES (21) au DESSUS DE RETOUR (F). Utiliser quatre VIS TÊTE GOUTTE DE SUIF 13 mm NOIRES (31).

À l'aide d'une perceuse et d'un foret de 5 mm, finir de percer complètement les quatre trous indiqués dans le DESSUS DE RETOUR (F).

ÉTAPE 28

Fixer les MONTANTS (P et Q) au DESSUS DE RETOUR (F). Utiliser quatre VIS TÊTE PLATE 38 mm NOIRES (28).

ÉTAPE 29

Avec l'aide d'une autre personne, relever, avec précaution, l'assemblage du retour dans sa position verticale et placer l'élément dans son emplacement final.

Insérer deux LONGUES CHEVILLES EN BOIS (19) dans les trous exacts illustrés dans le MONTANT DE RETOUR (SS) et de l'EXTRÉMITÉ GAUCHE DE RETOUR (YY).

Fixer le DESSUS DE RETOUR (F) aux MONTANTS (C et SS), PETIT ARRIÈRE DE RETOUR (L), ARRIÈRE DE RETOUR (N) et à l'EXTRÉMITÉ GAUCHE DE RETOUR (YY). Serrer douze EXCENTRIQUES ESCAMOTABLES.

REMARQUE : S'assurer de bien insérer les CHEVILLES EN BOIS situées sur le MONTANT DE RETOUR et l'EXTRÉMITÉ GAUCHE DE RETOUR dans les trous du DESSUS DE RETOUR.

ÉTAPE 30

REMARQUE : S'assurer de positionner l'ARRIÈRE (XX) exactement comme il l'est indiqué.

Faire tourner quatre VIS D'EXCENTRIQUE AVEC TÊTE EN ANGLE (16) dans les trous exacts illustrés dans l'ARRIÈRE (XX).

Enfoncer sept EXCENTRIQUES ESCAMOTABLES (15) dans les trous exacts illustrés dans l'ARRIÈRE (XX).

Décoller deux APPLIQUÉS de la FICHE D'APPLIQUÉS (26) et coller les sur les deux gros trou de l'ARRIÈRE (XX).

ÉTAPE 31

REMARQUE : L'assistance d'autrui peut être nécessaire à cette étape.

Insérer quatre LONGUES CHEVILLES EN BOIS (19) dans les trous exacts illustrés dans l'ARRIÈRE (XX).

Fixer l'ARRIÈRE (XX) au DESSOUS (VV) et à l'ARRIÈRE DE RETOUR (N). Serrer quatre EXCENTRIQUES ESCAMOTABLES et quatre VIS TÊTE MINCE 14 mm (34) à travers les CONSOLES DE PID situées sur le DESSOUS et dans l'ARRIÈRE.

REMARQUE : S'assurer de bien insérer les CHEVILLES EN BOIS de l'ARRIÈRE dans les trous du DESSOUS et de l'ARRIÈRE DE RETOUR.

Fixer l'ARRIÈRE (XX) à la TABLETTE (G). Utiliser deux VIS TÊTE PLATE 38 mm NOIRES (28).

Fixer le DESSUS DE RETOUR (F) à l'ARRIÈRE (XX). Utiliser quatre VIS TÊTE GOUTTE DE SUIF 13 mm NOIRES (31) à travers les CONSOLES sur le DESSUS DE RETOUR et dans l'ARRIÈRE.

ÉTAPE 32

Faire tourner deux VIS D'EXCENTRIQUE AVEC TÊTE EN ANGLE (16) dans les trous exacts illustrés dans l'EXTRÉMITÉ GAUCHE (RR).

Insérer deux LONGUES CHEVILLES EN BOIS (19) dans les trous exacts illustrés dans l'EXTRÉMITÉ DROITE (RR).

ÉTAPE 33

REMARQUE : L'assistance d'autrui peut être nécessaire à cette étape.

Fixer l'EXTRÉMITÉ GAUCHE (RR) à l'ARRIÈRE (XX). Serrer deux EXCENTRIQUES ESCAMOTABLES.

REMARQUE : S'assurer de bien insérer les CHEVILLES EN BOIS de l'EXTRÉMITÉ GAUCHE dans les trous de l'ARRIÈRE.

ÉTAPE 34

REMARQUE : S'assurer de positionner le DESSUS (TT) exactement comme il l'est indiqué.

Faire tourner quinze VIS D'EXCENTRIQUE AVEC TÊTE EN ANGLE (16) dans les trous exacts illustrés dans le DESSUS (TT).

Insérer ensuite deux COURTES CHEVILLES EN BOIS (20) dans les trous exacts illustrés dans le DESSUS (TT).

Fixer l'autre RAIL SUPÉRIEUR (R) au DESSUS (TT). Utiliser deux VIS TÊTE PLATE 28 mm NOIRES (29).

REMARQUE : S'assurer de bien insérer les COURTES CHEVILLES EN BOIS située sur le DESSUS dans les trous dans le RAIL SUPÉRIEUR.

ÉTAPE 35

Fixer l'ENSEMBLE DE COULISSEUX DE TABLETTE (1) au DESSUS (TT). Utiliser quatre VIS TÊTE LARGE 15 mm NOIRES (30).

REMARQUE : S'assurer d'utiliser le trou central dans les COULISSEUX DE TABLETTE.

ÉTAPE 36

Fixer la TABLETTE DE CLAVIER (O) aux COULISSEUX DE TABLETTE sur le DESSUS (TT). Utiliser quatre VIS TÊTE GOUTTE DE SUIF 14 mm NOIRES (31).

ÉTAPE 37

REMARQUE : L'assistance d'autrui peut être nécessaire à cette étape.

Insérer quatre LONGUES CHEVILLES EN BOIS (19) dans les trous exacts indiqués dans les EXTRÉMITÉS (QQ et RR) et les MONTANTS (P et Q).

Fixer le DESSUS (TT) aux EXTRÉMITÉS (QQ et RR), aux ARRIÈRES (K et M) et aux MONTANTS (P et Q). Serrer quinze EXCENTRIQUES ESCAMOTABLES.

REMARQUE : S'assurer de bien insérer les CHEVILLES EN BOIS situées sur les EXTRÉMITÉS et MONTANTS dans les trous du DESSUS.

ÉTAPE 38

Insérer vingt PETITES EXCENTRIQUES ESCAMOTABLES (17) dans les CÔTÉS DE TIROIR (Y, Z, BB, CC, GG, HH, JJ et KK).

ÉTAPE 39

Faire tourner vingt VIS D'EXCENTRIQUE AVEC TÊTE DROITE (18) dans les DEVANTS DE TIROIR (U, V, W et X).

ÉTAPE 40

1 Fixer les CÔTÉS DE PETIT TIROIR (Y et Z) au DEVANT DE PETIT TIROIR (U). Serrer quatre EXCENTRIQUES ESCAMOTABLES.

2 Enfiler le FOND DE TIROIR (EE) dans les rainures des CÔTÉS DE PETIT TIROIR (Y et Z) et du DEVANT DE PETIT TIROIR (U).

3 Fixer l'ARRIÈRE DE PETIT TIROIR (AA) aux CÔTÉS DE PETIT TIROIR (Y et Z). Utiliser quatre VIS TÊTE PLATE 38 mm NOIRES (28).

REMARQUE : S'assurer que le FOND DE TIROIR (EE) s'encastre dans la rainure de l'ARRIÈRE DE PETIT TIROIR (AA).

ÉTAPE 41

Fixer les COULISSES DE TIROIR (8 et 9) aux CÔTÉS DE PETIT TIROIR (Y et Z). Utiliser six VIS TÊTE PLATE 13 mm NOIRES (32).

Fixer une POIGNÉE (22) sur le DEVANT DE PETIT TIROIR (U). Utiliser deux VIS TÊTE PLATE 13 mm ARGENTÉES (33).

ÉTAPE 42

1 Fixer les CÔTÉS DE TIROIR (BB et CC) au DEVANT DE TIROIR (V). Serrer quatre EXCENTRIQUES ESCAMOTABLES.

2 Enfiler le FOND DE TIROIR (EE) dans les rainures des CÔTÉS DE TIROIR (BB et CC) et du DEVANT DE TIROIR (V).

3 Fixer l'ARRIÈRE DE TIROIR (DD) aux CÔTÉS DE TIROIR (BB et CC). Utiliser quatre VIS TÊTE PLATE 38 mm NOIRES (28).

REMARQUE : S'assurer que le FOND DE TIROIR (EE) s'encastre dans la rainure de l'ARRIÈRE DE TIROIR (DD).

Répéter cette étape pour l'autre DEVANT DE TIROIR (V), CÔTÉS DE TIROIR (BB et CC), ARRIÈRE DE TIROIR (DD) et FOND DE TIROIR (EE).

ÉTAPE 43

Fixer les COULISSES DE TIROIR (8 et 9) aux CÔTÉS DE TIROIR (BB et CC). Utiliser six VIS TÊTE PLATE 13 mm NOIRES (32).

Fixer une POIGNÉE (22) au DEVANT DE TIROIR (V). Utiliser deux VIS TÊTE PLATE 13 mm ARGENTÉES (33).

Répéter cette étape pour l'autre tiroir.

ÉTAPE 44

1 Fixer les CÔTÉS DE GRAND TIROIR (GG et HH) au DEVANT DE GRAND TIROIR (W). Serrer quatre EXCENTRIQUES ESCAMOTABLES.

2 Enfiler le FOND DE GRAND TIROIR (FF) dans les rainures des CÔTÉS DE GRAND TIROIR (GG et HH) et du DEVANT DE GRAND TIROIR (W).

3 Fixer l'ARRIÈRE DE GRAND TIROIR (II) aux CÔTÉS DE GRAND TIROIR (GG et HH). Utiliser quatre VIS TÊTE PLATE 38 mm NOIRES (28).

REMARQUE : S'assurer que le FOND DE GRAND TIROIR (FF) s'encastre dans la rainure de l'ARRIÈRE DE GRAND TIROIR (II).

ÉTAPE 45

Fixer deux LONGUES COULISSES D'EXTENSION (3) aux CÔTÉS DE GRAND TIROIR (GG et HH). Utiliser six VIS TÊTE GOUTTE DE SUIF 13 mm NOIRES (31).

Fixer une POIGNÉE (22) au DEVANT DE GRAND TIROIR (W). Utiliser deux VIS TÊTE PLATE 13 mm ARGENTÉES (33).

ÉTAPE 46

Enfoncer les ARMATURES LONGUES POUR DOSSIERS (13) sur les CÔTÉS DE GRAND TIROIR (GG et HH).

Enfiler deux SUPPORTS POUR DOSSIERS (11) sur les ARMATURES LONGUES POUR DOSSIERS sur les CÔTÉS DE GRAND TIROIR (GG et HH).

ÉTAPE 47

Fixer la ARMATURE AVANT POUR DOSSIERS (10) au DEVANT DE TIROIR DE RETOUR (X). Utiliser quatre VIS TÊTE GOUTTE DE SUIF 13 mm NOIRES (31).

ÉTAPE 48

1 Fixer les CÔTÉS DE TIROIR DE RETOUR (JJ et KK) au DEVANT DE TIROIR DE RETOUR (X). Serrer quatre EXCENTRIQUES ESCAMOTABLES.

2 Enfiler le FOND DE TIROIR (EE) dans les rainures des CÔTÉS DE TIROIR DE RETOUR (JJ et KK) et du DEVANT DE TIROIR DE RETOUR (X).

3 Fixer l'ARRIÈRE DE GRAND TIROIR (II) aux CÔTÉS DE TIROIR DE RETOUR (JJ et KK). Utiliser quatre VIS TÊTE PLATE 38 mm NOIRES (28).

REMARQUE : S'assurer que le FOND DE TIROIR (EE) s'encastre dans la rainure de l'ARRIÈRE DE GRAND TIROIR (II).

ÉTAPE 49

Fixer deux COULISSES D'EXTENSION (5) aux CÔTÉS DE TIROIR DE RETOUR (JJ et KK). Utiliser six VIS TÊTE GOUTTE DE SUIF 13 mm NOIRES (31).

Fixer une POIGNÉE (22) au DEVANT DE TIROIR DE RETOUR (X). Utiliser deux VIS TÊTE PLATE 13 mm ARGENTÉES (33).

ÉTAPE 50

Enfoncer l'ARMATURE ARRIÈRE POUR DOSSIERS (12) sur l'ARRIÈRE DE GRAND TIROIR (II).

Enfoncer les ARMATURES COURTES POUR DOSSIERS (14) sur les CÔTÉS DE TIROIR DE RETOUR (JJ et KK).

Enfiler les SUPPORTS POUR DOSSIERS (11) sur les ARMATURES POUR DOSSIERS sur le DEVANT DE TIROIR DE RETOUR (X) et l'ARRIÈRE DE GRAND TIROIR (II).

REMARQUE : Les SUPPORTS POUR DOSSIERS peuvent également être placés sur les ARMATURES POUR DOSSIERS sur les CÔTÉS DE TIROIR DE RETOUR (JJ et KK).

ÉTAPE 51

Insérer quatre PASSE-CÂBLES (25) dans les gros trous des MONTANTS (C et SS) et de l'ARRIÈRE DE RETOUR.

Insérer quatre PASSE-CÂBLES AVEC COUVERCLES (24) dans les gros trous des DESSUS (TT et F).

ÉTAPE 52

Placer l'élément dans son emplacement final.

REMARQUE : Pour soulever un coin de l'élément, faire tourner le PATIN RÉGLABLE dans le sens contraire des aiguilles d'une montre. Pour baisser un coin, faire tourner le PATIN RÉGLABLE dans le sens des aiguilles d'une montre.

Pour insérer les TIROIRS (U et V) dans l'élément, abaisser le devant des tiroirs et faire passer les roulettes situées sur les tiroirs derrière les roulettes situées sur l'élément.

Pour insérer les GRANDS TIROIRS (W et X) dans l'élément, aligner les COULISSES D'EXTENSION des tiroirs sur les GLISSIÈRES D'EXTENSION de l'élément et enfoncer les tiroirs dans l'élément jusqu'à ce que les tiroirs soit complètement insérés. Les tiroirs offriront une certaine résistance jusqu'à ce qu'ils soient complètement insérés dans l'élément, glisserait ensuite sans difficulté.

ÉTAPE 53

Décoller les AUTO-COLLANTS de la FICHE D'APPLIQUÉS (26) et coller les sur chaque trou visible, EXCENTRIQUE ESCAMOTABLE ou sur la tête de chaque VIS visible.

REMARQUE : Prière de lire les informations importantes sur la sécurité figurant sur les pages arrière du manuel d'instructions.

Ceci complète l'assemblage. Nettoyer avec un tissu humide. Essuyer.

Use estas instrucciones de ensamblaje en español junto con las figuras paso-a-paso provistas en el folleto inglés. Cada paso en español corresponde al mismo paso en inglés. Se destacan las figuras de cada paso con una tonalidad oscura para mostrar precisamente cual parte se debe montar a la unidad. Compare la "Lista de Part" abajo con la "Part Identification" en el folleto en inglés para familiarizarse con Las partes de ensamblaje.

NOTA: ESTE FOLLETO DE INSTRUCCIONES CONTIENE INFORMACIÓN **IMPORTANTE** SOBRE LA SEGURIDAD. POR FAVOR LEA Y GUÁRDELO PARA REFERENCIA EN EL FUTURO.

ESTAMOS AQUI PARA AYUDAR!

Tratamos de asegurar que su mueble llega en condición excelente. Nuestros representantes de Servicio al Cliente son amables y listos para ayudarle con servicio rápido y eficiente si una parte está defectuosa o ausente (o si necesita ayuda con el ensamblaje). **NO DEVUELVA LA UNIDAD A LA TIENDA.** Llame este número sin cargo:

1-800-445-1527

Lunes a viernes, 9:00 a.m. - 5:30 p.m.

**Hora oficial del Este
(excepto días festivos)**

Si requiere un repuesto de una parte, será enviado dentro de 48 horas (excepto los fines de semana y días festivos)

Para uso exclusivo de Canadá Anote la fecha de comprar esta unidad y guarde el folleto para su referencia futura. Si necesita ponerse en contacto con Sauder en cuanto a esta unidad, refiérase al número de lote y al número de modelo cuando llame a nuestro número gratis.

No. lote: _____

Fecha de compra: _____

LISTA DE PARTES

ITEM	DESCRIPCIÓN	CANTIDAD
NOTA: La parte ZZ no será utilizado en la mesa auxiliar sobre el ensamblaje derecho.		
C	PARAL	1
F	PANEL SUPERIOR DE MESA AUXILIAR	1
G	ESTANTE	2
K	DORSO PEQUEÑO	1
L	DORSO PEQUEÑO DE MESA AUXILIAR	1
N	DORSO DE MESA AUXILIAR	1
O	ESTANTE DE TECLADO	1
P	PARAL CORTO	1
Q	PARAL LARGO	1
R	RIEL SUPERIOR	2
S	RIOSTRA	2
T	RIOSTRA DE MESA AUXILIAR	1
U	CARA DE CAJÓN PEQUEÑO	1
V	CARA DE CAJÓN	2
W	CARA DE CAJÓN GRANDE	1
X	CARA DE CAJÓN DE MESA AUXILIAR	1
Y	LADO DERECHO DE CAJÓN PEQUEÑO	1
Z	LADO IZQUIERDO DE CAJÓN PEQUEÑO	1
AA	DORSO DE CAJÓN PEQUEÑO	1
BB	LADO DERECHO DE CAJÓN	2
CC	LADO IZQUIERDO DE CAJÓN	2
DD	DORSO DE CAJÓN	2
EE	FONDO DE CAJÓN	4
FF	FONDO DE CAJÓN GRANDE	1
GG	LADO DERECHO DE CAJÓN GRANDE	1
HH	LADO IZQUIERDO DE CAJÓN GRANDE	1
II	DORSO DE CAJÓN GRANDE	2
JJ	LADO DERECHO DE CAJÓN DE MESA AUXILIAR	1
KK	LADO IZQUIERDO DE CAJÓN DE MESA AUXILIAR	1
LL	RIEL INFERIOR LARGO	2
MM	RIEL INFERIOR	4
NN	PATA	11
QQ	EXTREMO DERECHO	1
RR	EXTREMO IZQUIERDO	1
SS	PARAL DE MESA AUXILIAR	1
TT	PANEL SUPERIOR	1
UU	FONDO PEQUEÑO	1
VV	FONDO	1
WW	FONDO PEQUEÑO DE MESA AUXILIAR	1
XX	DORSO	1
YY	EXTREMO IZQUIERDO DE MESA AUXILIAR	1
ZZ	EXTREMO DERECHO DE MESA AUXILIAR	1

LISTA DE PARTES

ITEM	DESCRIPCIÓN	CANTIDAD
1	CONJUNTO DE CORREDERAS DE ESTANTE	1
2	RIEL DE EXTENSIÓN LARGO	2
3	CORREDERA DE EXTENSIÓN LARGA	2
(JUEGO DE EXTENSIÓN SE MUESTRA POR SEPARADO)		
4	RIEL DE EXTENSIÓN	2
5	CORREDERA DE EXTENSIÓN	2
6	RIEL DERECHO DE GABINETE	3
(JUEGO DE EXTENSIÓN SE MUESTRA POR SEPARADO)		
7	RIEL IZQUIERDO DE GABINETE	3
8	CORREDERA DERECHA DE CAJÓN	3
9	CORREDERA IZQUIERDA DE CAJÓN	3
10	CORRIMIENTO DE ARCHIVERO DELANTERO	1
11	SOPORTE DE ARCHIVERO	4
12	CORRIMIENTO DE ARCHIVERO POSTERIOR	1
13	CORRIMIENTO LARGO DE ARCHIVERO	2
14	CORRIMIENTO CORTO DE ARCHIVERO	2
15	EXCÉNTRICO ESCONDIDO GRANDE	57
16	BIELA DE EXCÉNTRICO CON CABEZA ANGULADA	57
17	EXCÉNTRICO ESCONDIDO PEQUEÑO	20
18	BIELA DE EXCÉNTRICO CON CABEZA RECTA	20
(No abra las piezas 17 y 18 hasta que esté listo para montar los cajones.)		
19	PASADOR DE MADERA LARGO	40
20	PASADOR DE MADERA CORTO	12
21	SOPORTE	2
22	TIRADOR	5
23	DESLIZAMIENTO AJUSTABLE	11
24	OJAL CON CUBIERTA	4
26	TARJETA CON APLICACIONES	1
27	TARJETA CON APLICACIONES LARGA	1
35	SOPORTE DE PATA	10
28	TORNILLO NEGRO DE CABEZA PERDIDA de 38 mm	44
29	TORNILLO NEGRO DE CABEZA PERDIDA de 28 mm	18
30	TORNILLO NEGRO DE CABEZA GRANDE de 15 mm	4
31	TORNILLO NEGRO DE CABEZA REDONDA de 13 mm	40
32	TORNILLO NEGRO DE CABEZA PERDIDA de 13 mm	36
33	TORNILLO PLATEADO DE CABEZA PERDIDA de 13 mm	10
34	TORNILLO DE CABEZA DE DISCO de 14 mm	40

PASO 1

Ensamble la unidad sobre un piso alfombrado o sobre el cartón vacío para evitar rayar la unidad o el piso.

Empuje cincuenta EXCÉNTRICOS ESCONDIDOS (15) en los EXTREMOS (QQ y RR), el PARAL DE MESA AUXILIAR (SS), los ESTANTES (G), el FONDO (VV), los DORSOS (K y L), el DORSO DE MESA AUXILIAR (N), el PARAL CORTO (P), el PARAL LARGO (Q), las RIOSTRAS (S y T) y el EXTREMO IZQUIERDO DE MESA AUXILIAR (YY).

PASO 2

Atornille catorce BIELAS DE EXCÉNTRICO CON CABEZA ANGULADA (16) dentro de los agujeros correspondientes indicados de los EXTREMOS (QQ y RR), del PARAL (C), y el EXTREMO IZQUIERDO DE MESA AUXILIAR (YY).

PASO 3

Fije ocho SOPORTES DE PATA (35) al FONDO PEQUEÑO (UU y WW). Utilice dieciséis TORNILLOS DE CABEZA DE DISCO de 14 mm (34).

Separe una pegatina de la TARJETA CON APLICACIONES GRANDE (27) y aplique la pegatina sobre el agujero grande en el FONDO (VV).

PASO 4

Gire ocho PATAS (NN) entre los FONDOS PEQUEÑOS (UU y WW).

NOTA: No apriete los PIES en exceso.

A continuación, gire ocho NIVELADORES (23) en las PATAS (NN).

NOTA: Gire e inserte por completo los DESLIZAMIENTOS AJUSTABLES. Se realizarán ajustes a la pata después de que la unidad esté en posición vertical.

PASO 5

Inserte cuatro PASADORES DE MADERA CORTOS (20) en los FONDOS PEQUEÑOS (UU y WW).

Fije cuatro RIELES INFERIORES (MM) a los FONDOS PEQUEÑOS (UU y VV). Utilice ocho TORNILLOS NEGROS DE CABEZA PERDIDA de 28 mm (29).

NOTA: Asegúrese de que los PASADORES DE MADERA CORTOS de los FONDOS PEQUEÑOS se inserten en los RIELES INFERIORES.

PASO 6

Separe las CORREDERAS DE EXTENSIÓN LARGAS (3) de los RIELES DE EXTENSIÓN LARGOS (2) como se muestra en el diagrama ampliado más abajo. Prepárese, las piezas son grasientas.

Fije dos RIELES DE EXTENSIÓN LARGOS (2) a los EXTREMOS (QQ y RR). Utilice seis TORNILLOS NEGROS DE CABEZA REDONDA de 13 mm (31).

NOTA: Para cada RIEL DE EXTENSIÓN, atornille un TORNILLO dentro del agujero indicado en el diagrama ampliado. A continuación deslice el cartucho interno del RIEL DE EXTENSIÓN hacia el interior para encontrar los otros agujeros que se alinean con los agujeros de los EXTREMOS. Atornille un TORNILLO dentro de este agujero.

NOTA: Las CORREDERAS DE EXTENSIÓN LARGOS se utilizarán más tarde para el CAJÓN GRANDE.

PASO 7

Fije los RIELES DE GABINETE (6 y 7) a los EXTREMOS (QQ y RR). Utilice doce TORNILLOS NEGROS DE CABEZA PERDIDA de 13 mm (32).

PASO 8

Inserte dos PASADORES DE MADERA LARGOS (19) dentro de los agujeros correspondientes indicados del EXTREMO IZQUIERDO (RR).

Fije el FONDO PEQUEÑO (UU) al EXTREMO IZQUIERDO (RR). Utilice cuatro TORNILLOS DE CABEZA DE DISCO de 14 mm (34) a través de los SOPORTES DE PATA sujetos al FONDO PEQUEÑO (UU) y en el EXTREMO IZQUIERDO. Fije el FONDO PEQUEÑO (UU) al EXTREMO IZQUIERDO (RR). Apriete dos EXCÉNTRICOS ESCONDIDOS.

NOTA: Asegúrese de insertar los PASADORES DE MADERA del EXTREMO IZQUIERDO en los agujeros del FONDO PEQUEÑO.

PASO 9

Inserte cuatro PASADORES DE MADERA LARGOS (19) dentro de los agujeros correspondientes indicados del EXTREMO IZQUIERDO (RR).

Fije el DORSO PEQUEÑO (K) a las RIOSTRAS (S) y al EXTREMO IZQUIERDO (RR). Apriete cuatro EXCÉNTRICOS ESCONDIDOS.

NOTA: Asegúrese de que los PASADORES DE MADERA LARGOS en el EXTREMO IZQUIERDO se introduzca en el DORSO PEQUEÑO y en las RIOSTRAS.

Fije el DORSO PEQUEÑO (K) al FONDO PEQUEÑO (UU). Utilice dos TORNILLOS NEGROS DE CABEZA PERDIDA de 38 mm (28).

PASO 10

Inserte seis PASADORES DE MADERA LARGOS (19) dentro del EXTREMO DERECHO (QQ).

Fije el EXTREMO DERECHO (QQ) al DORSO PEQUEÑO (K) y a las RIOSTRAS (S). Apriete cuatro EXCÉNTRICOS ESCONDIDOS.

Fije el EXTREMO DERECHO (QQ) al FONDO PEQUEÑO (UU). Utilice cuatro TORNILLOS DE CABEZA DE DISCO de 14 mm (34) a través de los SOPORTES DE PATA sujetos al FONDO PEQUEÑO y en el EXTREMO DERECHO.

NOTA: Asegúrese de que los PASADORES DE MADERA LARGOS en el EXTREMO DERECHO se inserten dentro de los agujeros del FONDO PEQUEÑO, DORSO PEQUEÑO y de las RIOSTRAS.

PASO 11

Atornille seis BIELAS DE EXCÉNTRICO CON CABEZA ANGULADA (16) dentro de los agujeros correspondientes indicados del PARAL DE MESA AUXILIAR (SS).

PASO 12

Separe las CORREDERAS DE EXTENSIÓN (5) de los RIELES DE EXTENSIÓN (4) como se muestra en el diagrama ampliado mas abajo. Prepárese, las piezas son grasientas.

Fije dos RIELES DE EXTENSIÓN (4) al PARAL DE MESA AUXILIAR (SS) y al EXTREMO IZQUIERDO DE MESA AUXILIAR (YY). Utilice seis TORNILLOS NEGROS DE CABEZA REDONDA de 13 mm (31).

NOTA: Para cada RIEL DE EXTENSIÓN, atornille un TORNILLO dentro del agujero indicado en el diagrama ampliado. A continuación, deslice el cartucho interno del RIEL DE EXTENSIÓN hacia el interior para encontrar los otros agujeros que se alinean con los agujeros del PARAL y del EXTREMO. Atornille un TORNILLO dentro de este agujero.

NOTA: Las CORREDERAS DE EXTENSIÓN se utilizarán más tarde para el CAJÓN DE MESA AUXILIAR.

PASO 13

Fije los RIELES DE GABINETE (6 y 7) al PARAL DE MESA AUXILIAR (SS) y al EXTREMO IZQUIERDO DE MESA AUXILIAR (YY). Utilice seis TORNILLOS NEGROS DE CABEZA PERDIDA de 13 mm (32).

PASO 14

Fije el DORSO DE MESA AUXILIAR (L) al FONDO PEQUEÑO DE MESA AUXILIAR (WW). Utilice dos TORNILLOS NEGROS DE CABEZA PERDIDA de 38 mm (28).

PASO 15

Inserte cuatro PASADORES DE MADERA LARGOS (19) dentro de los agujeros correspondientes indicados del PARAL DE MESA AUXILIAR (SS).

Fije el FONDO PEQUEÑO DE MESA AUXILIAR (WW) y el DORSO PEQUEÑO DE MESA AUXILIAR (L) al PARAL DE MESA AUXILIAR (SS). Apriete dos EXCÉNTRICOS ESCONDIDOS y utilice cuatro TORNILLOS DE CABEZA DE DISCO de 14 mm (34) a través de los SOPORTES DE PATA sujetados al FONDO PEQUEÑO DE MESA AUXILIAR y en el PARAL DE MESA AUXILIAR.

NOTA: Asegúrese de que los PASADORES DE MADERA LARGOS en el PARAL DE MESA AUXILIAR se inserten dentro de los agujeros del FONDO PEQUEÑO DE MESA AUXILIAR y DORSO PEQUEÑO DE MESA AUXILIAR.

PASO 16

Fije la RIOSTRA DE MESA AUXILIAR (T) al PARAL DE MESA AUXILIAR (SS). Apriete dos EXCÉNTRICOS ESCONDIDOS.

PASO 17

Inserte cuatro PASADORES DE MADERA LARGOS (19) en el EXTREMO IZQUIERDO DE MESA AUXILIAR (YY).

Fije el EXTREMO IZQUIERDO DE MESA AUXILIAR (YY) al DORSO PEQUEÑO DE MESA AUXILIAR (L) y a la RIOSTRA DE MESA AUXILIAR (T). Apriete cuatro EXCÉNTRICOS ESCONDIDOS.

Fije el EXTREMO IZQUIERDO DE MESA AUXILIAR (YY) al FONDO PEQUEÑO DE MESA AUXILIAR (WW). Utilice cuatro TORNILLOS DE CABEZA DE DISCO de 14 mm (34) a través de los SOPORTES DE PATA sujetados al FONDO PEQUEÑO DE MESA AUXILIAR y en el EXTREMO IZQUIERDO DE MESA AUXILIAR.

NOTA: Asegúrese de que los PASADORES DE MADERA LARGOS en el EXTREMO IZQUIERDO DE MESA AUXILIAR se inserten dentro de los agujeros del FONDO PEQUEÑO DE MESA AUXILIAR, del DORSO PEQUEÑO DE MESA AUXILIAR y de la RIOSTRA DE MESA AUXILIAR.

PASO 18

Fije el PARAL (C) a uno de los ESTANTES (G). Utilice dos TORNILLOS NEGROS DE CABEZA PERDIDA de 38 mm (28).

PASO 19

Fije el otro ESTANTE (G) al PARAL (C). Apriete dos EXCÉNTRICOS ESCONDIDOS.

PASO 20

Fije dos SOPORTES DE PATA (35) al FONDO (VV). Utilice cuatro TORNILLOS DE CABEZA DE DISCO de 14 mm (34).

Fije el FONDO (VV) al PARAL (C). Utilice dos TORNILLOS NEGROS DE CABEZA PERDIDA de 38 mm (28).

PASO 21

Cuidadosamente voltee la unidad para que repose sobre los bordes delanteros.

Inserte cuatro PASADORES DE MADERA LARGOS (19) dentro de los agujeros correspondientes indicados del DORSO DE MESA AUXILIAR (N).

Fije el DORSO DE MESA AUXILIAR (N) al PARAL (C), a los ESTANTES (G) y al FONDO (VV). Utilice diez TORNILLOS NEGROS DE CABEZA PERDIDA de 38 mm (28).

NOTA: Asegúrese de insertar los PASADORES DE MADERA LARGOS sujetados al DORSO DE MESA AUXILIAR en los agujeros del PARAL y de los ESTANTES.

PASO 22

Con cuidado, apoye el ensamblaje sobre su respaldo.

Atornille tres PATAS (NN) al FONDO (VV).

NOTA: No apriete los PIES en exceso.

A continuación, gire tres DESLIZAMIENTOS AJUSTABLES (23) en las PATAS (NN).

NOTA: Gire e inserte por completo los DESLIZAMIENTOS AJUSTABLES. Se realizarán ajustes a la pata después de que la unidad esté en posición vertical.

PASO 23

Inserte cuatro PASADORES DE MADERA CORTOS (20) en el FONDO (VV).

Fije dos RIELES INFERIORES LARGOS (LL) al FONDO (VV). Utilice seis TORNILLOS NEGROS DE CABEZA PERDIDA de 28 mm (29).

NOTA: Asegúrese de que los PASADORES DE MADERA CORTOS sujetados al FONDO se inserten dentro de los agujeros de los RIELES INFERIORES LARGOS.

PASO 24

Atornille seis BIELAS DE EXCÉNTRICO CON CABEZA ANGULADA (16) dentro de los agujeros correspondientes indicados del PARAL DE MESA AUXILIAR (SS).

Inserte cuatro PASADORES DE MADERA LARGOS (19) dentro de los agujeros correspondientes indicados del PARAL DE MESA AUXILIAR (SS).

PASO 25

NOTA: Usted puede necesitar la ayuda de alguien para este paso.

Fije el PARAL DE MESA AUXILIAR (SS) al ESTANTE (G), al FONDO (VV) y al DORSO DE MESA AUXILIAR (N). Apriete seis EXCÉNTRICOS ESCONDIDOS.

NOTA: Asegúrese de que los PASADORES DE MADERA LARGOS en el PARAL DE MESA AUXILIAR se inserten dentro de los agujeros del ESTANTE, FONDO y DORSO DE MESA AUXILIAR.

PASO 26

NOTA: Asegúrese de que el PANEL SUPERIOR DE MESA AUXILIAR (F) está dispuesto exactamente como se muestra.

Atornille doce BIELAS DE EXCÉNTRICO CON CABEZA ANGULADA (16) dentro de los agujeros correspondientes indicados del PANEL SUPERIOR DE MESA AUXILIAR (F).

PASO 27

NOTA: Asegúrese de que el PANEL SUPERIOR DE MESA AUXILIAR está dispuesto exactamente como se muestra.

Inserte dos PASADORES DE MADERA CORTOS (20) dentro de los agujeros correspondientes indicados del PANEL SUPERIOR DE MESA AUXILIAR (F).

Fije el RIEL SUPERIOR (R) al PANEL SUPERIOR DE MESA AUXILIAR (F). Utilice dos TORNILLOS NEGROS DE CABEZA PERDIDA de 28 mm (29).

NOTA: Asegúrese de que los PASADORES DE MADERA CORTOS fijados al PANEL SUPERIOR DE MESA AUXILIAR se inserten dentro de los agujeros del RIEL SUPERIOR.

Fije dos SOPORTES (21) al PANEL SUPERIOR DE MESA AUXILIAR (F). Utilice cuatro TORNILLOS NEGROS DE CABEZA REDONDA de 13 mm (31).

Con un taladro y una broca de 5 mm, termine de taladrar completamente los cuatro agujeros correspondientes indicados en el PANEL SUPERIOR DE MESA AUXILIAR (F).

PASO 28

Fije los PARALES (P y Q) al PANEL SUPERIOR DE MESA AUXILIAR (F). Use cuatro TORNILLOS NEGROS DE CABEZA PERDIDA de 38 mm (28).

PASO 29

Con la ayuda de otra persona, cuidadosamente ponga el ensamblaje de mesa auxiliar en posición vertical y coloque su unidad en su posición final.

Inserte dos PASADORES DE MADERA LARGOS (19) dentro de los agujeros correspondientes indicados del PARAL DE MESA AUXILIAR (SS) y del EXTREMO IZQUIERDO DE MESA AUXILIAR (YY).

Fije el PANEL SUPERIOR DE MESA AUXILIAR (F) a los PARALES (C y D), al DORSO PEQUEÑO DE MESA AUXILIAR (L), al DORSO DE MESA AUXILIAR (N) y al EXTREMO IZQUIERDO DE MESA AUXILIAR (YY). Apriete doce EXCÉNTRICOS ESCONDIDOS.

NOTA: Asegúrese de que los PASADORES DE MADERA sujetos al PARAL DE MESA AUXILIAR y al EXTREMO IZQUIERDO DE MESA AUXILIAR se inserten dentro de los agujeros del PANEL SUPERIOR DE MESA AUXILIAR.

PASO 30

NOTA: Asegúrese de posicionar el DORSO (XX) tal y como se muestra.

Atornille cuatro BIELAS DE EXCÉNTRICO CON CABEZA ANGULADA (16) dentro de los agujeros correspondientes indicados del DORSO (XX).

Empuje siete EXCÉNTRICOS ESCONDIDOS (15) entre los agujeros correspondientes indicados del DORSO (XX).

Separe dos APLICACIONES de la TARJETA CON APLICACIONES (26) y aplique las sobre los dos agujeros grande en el DORSO (XX).

PASO 31

NOTA: Usted puede necesitar la ayuda de alguien para este paso.

Inserte cuatro PASADORES DE MADERA LARGOS (19) dentro de los agujeros correspondientes indicados del DORSO (XX).

Fije el DORSO (XX) al FONDO (VV) y al DORSO DE MESA AUXILIAR (N). Apriete cuatro EXCÉNTRICOS ESCONDIDOS y pase cuatro TORNILLOS DE CABEZA DE DISCO de 14 mm (34) a través de los SOPORTES DE PATA sobre el FONDO y en el DORSO.

NOTA: Asegúrese de insertar los PASADORES DE MADERA del DORSO dentro de los agujeros del FONDO y del DORSO DE MESA AUXILIAR.

Fije el DORSO (XX) al ESTANTE (G). Utilice dos TORNILLOS NEGROS DE CABEZA PERDIDA de 38 mm (28).

Fije el PANEL SUPERIOR DE MESA AUXILIAR (F) al DORSO (XX). Utilice cuatro TORNILLOS NEGROS DE CABEZA REDONDA de 13 mm (31) a través de los SOPORTES sujetos al PANEL SUPERIOR DE MESA AUXILIAR y en el DORSO.

PASO 32

Atornille dos BIELAS DE EXCÉNTRICO CON CABEZA ANGULADA (16) dentro de los agujeros correspondientes indicados del EXTREMO IZQUIERDO (RR).

Inserte dos PASADORES DE MADERA LARGOS (19) dentro de los agujeros correspondientes indicados del EXTREMO IZQUIERDO (RR).

PASO 33

NOTA: Usted puede necesitar la ayuda de alguien para este paso.

Fije el EXTREMO IZQUIERDO (RR) al DORSO (XX). Apriete dos EXCÉNTRICOS ESCONDIDOS.

NOTA: Asegúrese de insertar los PASADORES DE MADERA del EXTREMO IZQUIERDO en los agujeros del DORSO.

PASO 34

NOTA: Asegúrese de posicionar el PANEL SUPERIOR (TT) tal y como se muestra.

Atornille quince BIELAS DE EXCÉNTRICO CON CABEZA ANGULADA (16) dentro de los agujeros correspondientes indicados del PANEL SUPERIOR (TT).

A continuación, inserte dos PASADORES DE MADERA CORTOS (20) dentro de los agujeros correspondientes indicados del PANEL SUPERIOR (TT).

Fije el otro RIEL SUPERIOR (R) al PANEL SUPERIOR (TT). Utilice dos TORNILLOS NEGROS DE CABEZA PERDIDA de 28 mm (29).

NOTA: Asegúrese de que los PASADORES DE MADERA CORTOS sujetos al PANEL SUPERIOR se inserten dentro de los agujeros del RIEL SUPERIOR.

PASO 35

Fije el CONJUNTO DE CORREDERAS DE ESTANTE (1) al PANEL SUPERIOR (TT). Utilice cuatro TORNILLOS NEGROS DE CABEZA GRANDE de 15 mm (30).

NOTA: Asegúrese de utilizar el agujero central en las CORREDERAS DE ESTANTE.

PASO 36

Fije el ESTANTE DE TECALDO (O) a las CORREDERAS DE ESTANTE sobre el PANEL SUPERIOR (TT). Utilice cuatro TORNILLOS NEGROS DE CABEZA REDONDA de 14 mm (31).

PASO 37

NOTA: Usted puede necesitar la ayuda de alguien para este paso.

Inserte cuatro PASADORES DE MADERA LARGOS (19) dentro de los agujeros correspondientes indicados de los EXTREMOS (QQ y RR) y de los PARALES (P y Q).

Fije el PANEL SUPERIOR (TT) a los EXTREMOS (QQ y RR), a los DORSOS (K y M) y a los PARALES (P y Q). Apriete quince EXCÉNTRICOS ESCONDIDOS.

NOTA: Asegúrese de que los PASADORES DE MADERA sujetos a los EXTREMOS y a los PARALES se inserten dentro de los agujeros del PANEL SUPERIOR.

PASO 38

Inserte veinte EXCÉNTRICOS ESCONDIDOS PEQUEÑOS (17) en los LADOS DE CAJÓN (Y, Z, BB, CC, GG, HH, JJ y KK).

PASO 39

Atornille veinte BIELAS DE EXCÉNTRICO CON CABEZA RECTA (18) en las CARAS DE CAJÓN (U, V, W y X).

PASO 40

1 Fije los LADOS DE CAJÓN PEQUEÑO (Y y Z) a la CARA DE CAJÓN PEQUEÑO (U). Apriete cuatro EXCÉNTRICOS ESCONDIDOS.

2 Deslice el FONDO DE CAJÓN (EE) dentro de las ranuras de los LADOS DE CAJÓN PEQUEÑO (Y y Z) y de la CARA DE CAJÓN PEQUEÑO (U).

3 Fije el DORSO DE CAJÓN PEQUEÑO (AA) a los LADOS DE CAJÓN PEQUEÑO (Y y Z). Use cuatro TORNILLOS NEGROS DE CABEZA PERDIDA de 38 mm (28).

NOTA: Asegúrese de que el FONDO DE CAJÓN (EE) ajuste dentro de la ranura del DORSO DE CAJÓN PEQUEÑO (AA).

PASO 41

Fije las CORREDERAS DE CAJÓN (8 y 9) a los LADOS DE CAJÓN PEQUEÑO (Y y Z). Utilice seis TORNILLOS NEGROS DE CABEZA PERDIDA de 13 mm (32).

Fije un TIRADOR (22) a la CARA DE CAJÓN PEQUEÑO (U). Utilice dos TORNILLOS PLATEADOS DE CABEZA PERDIDA de 13 mm (33).

PASO 42

1 Fije los LADOS DE CAJÓN (BB y CC) a la CARA DE CAJÓN (V). Apriete cuatro EXCÉNTRICOS ESCONDIDOS.

2 Deslice el FONDO DE CAJÓN (EE) en las ranuras de los LADOS DE CAJÓN (BB y CC) y de la CARA DE CAJÓN (V).

3 Fije el DORSO DE CAJÓN (DD) a los LADOS DE CAJÓN (BB y CC). Use cuatro TORNILLOS NEGROS DE CABEZA PERDIDA de 38 mm (28).

NOTA: Asegúrese de que el FONDO DE CAJÓN (EE) ajuste dentro de la ranura del DORSO DE CAJÓN (DD).

Repita este paso para la CARA DE CAJÓN (V), los LADOS DE CAJÓN (BB y CC), el DORSO DE CAJÓN (DD) y el FONDO DE CAJÓN (EE).

PASO 43

Fije las CORREDERAS DE CAJÓN (8 y 9) a los LADOS DE CAJÓN (BB y CC). Utilice seis TORNILLOS NEGROS DE CABEZA PERDIDA de 13 mm (32).

Fije un TIRADOR (22) a la CARA DE CAJÓN (V). Utilice dos TORNILLOS PLATEADOS DE CABEZA PERDIDA de 13 mm (33).

Repita este paso para el otro cajón.

PASO 44

1 Fije los LADOS DE CAJÓN GRANDE (GG y HH) a la CARA DE CAJÓN GRANDE (W). Apriete cuatro EXCÉNTRICOS ESCONDIDOS.

2 Deslice el FONDO DE CAJÓN GRANDE (FF) dentro de las ranuras de los LADOS DE CAJÓN GRANDE (GG y HH) y de la CARA DE CAJÓN GRANDE (W).

3 Fije el DORSO DE CAJÓN GRANDE (II) a los LADOS DE CAJÓN GRANDE (GG y HH). Use cuatro TORNILLOS NEGROS DE CABEZA PERDIDA de 38 mm (28).

NOTA: Asegúrese de que el FONDO DE CAJÓN GRANDE (FF) ajuste dentro de la ranura del DORSO DE CAJÓN GRANDE (II).

PASO 45

Fije dos CORREDERAS DE EXTENSIÓN LARGAS (3) a los LADOS DE CAJÓN GRANDE (GG y HH). Utilice seis TORNILLOS NEGROS DE CABEZA REDONDA de 13 mm (31).

Fije un TIRADOR (22) a la CARA DE CAJÓN GRANDE (W). Utilice dos TORNILLOS PLATEADOS DE CABEZA PERDIDA de 13 mm (33).

PASO 46

Empuje los CORRIMIENTOS LARGOS DEL ARCHIVERO (13) sobre los LADOS DE CAJÓN GRANDE (GG y HH).

Deslice dos SOPORTES DE ARCHIVERO (10) sobre los CORRIMIENTOS LARGOS DEL ARCHIVERO sobre los LADOS DE CAJÓN GRANDE (GG y HH).

PASO 47

Fije un CORRIMIENTO DE ARCHIVERO DELANTERO (10) a la CARA DE CAJÓN DE MESA AUXILIAR (X). Utilice cuatro TORNILLOS NEGROS DE CABEZA REDONDA de 13 mm (31).

PASO 48

1 Fije los LADOS DE CAJÓN DE MESA AUXILIAR (JJ y KK) a la CARA DE CAJÓN DE MESA AUXILIAR (X). Apriete cuatro EXCÉNTRICOS ESCONDIDOS.

2 Deslice el FONDO DE CAJÓN (EE) en las ranuras de los LADOS DE CAJÓN DE MESA AUXILIAR (JJ y KK) y de la CARA DE CAJÓN DE MESA AUXILIAR (X).

3 Fije el DORSO DE CAJÓN GRANDE (II) a los LADOS DE CAJÓN DE MESA AUXILIAR (JJ y KK). Use cuatro TORNILLOS NEGROS DE CABEZA PERDIDA de 38 mm (28).

NOTA: Asegúrese de que el FONDO DE CAJÓN (EE) ajuste dentro de la ranura del DORSO DE CAJÓN GRANDE (II).

PASO 49

Fije dos CORREDERAS DE EXTENSIÓN (5) a los LADOS DE CAJÓN DE MESA AUXILIAR (JJ y KK). Utilice seis TORNILLOS NEGROS DE CABEZA REDONDA de 13 mm (31).

Fije un TIRADOR (22) a la CARA DE CAJÓN DE MESA AUXILIAR (X). Utilice dos TORNILLOS PLATEADOS DE CABEZA PERDIDA de 13 mm (33).

PASO 50

Empuje el CORRIMIENTO DE ARCHIVERO POSTERIOR (12) sobre el DORSO DE CAJÓN GRANDE (II).

Empuje los CORRIMIENTOS CORTOS DEL ARCHIVERO (14) sobre los LADOS DE CAJÓN DE MESA AUXILIAR (JJ y KK).

Deslice los SOPORTES DE ARCHIVERO (11) sobre los CORRIMIENTOS DEL ARCHIVERO de la CARA DE CAJÓN DE MESA AUXILIAR (X) y del DORSO DE CAJÓN GRANDE (II).

NOTA: Los SOPORTES DE ARCHIVERO también se puede colocar sobre los CORRIMIENTOS DEL ARCHIVERO de los LADOS DE CAJÓN DE MESA AUXILIAR (JJ y KK).

PASO 51

Inserte cuatro OJALES (25) en los agujeros grandes de los PARALES (C y SS) y del DORSO DE MESA AUXILIAR (N).

Inserte cuatro OJALES CON CUBIERTAS (24) dentro de los agujeros grandes de los PANELES SUPERIORES (TT y F).

PASO 52

Coloque su unidad en su posición final.

NOTA: Para levantar una esquina de la unidad, gire el DESLIZAMIENTO AJUSTABLE hacia la izquierda. Para bajar una esquina, gire el DESLIZAMIENTO AJUSTABLE hacia la derecha.

Para insertar los CAJONES (U y V) en el unidad, incline la parte delantera de los cajones hacia abajo y deje que los rodillos de los cajones caigan detrás de los rodillos de la unidad.

Para insertar los CAJONES GRANDES (W y X) dentro de la unidad, alinee las CORREDERAS DE EXTENSIÓN sujetadas a los cajones con los RIELES DE EXTENSIÓN sujetados a la unidad y empuje los cajones dentro de la unidad hasta que los cajones estén completamente insertados. Los cajones mueven con dificultad hasta que se inserten completamente dentro de la unidad, después deslizarán fácilmente hacia adentro y hacia afuera.

PASO 53

Separe las APLICACIONES de la TARJETA CON APLICACIONES (26) y aplique las sobre cada agujero visible, EXCÉNTRICO ESCONDIDO o sobre la cabeza de cada TORNILLO visible.

NOTA: Por favor, lea las páginas de atrás del folleto de instrucciones en cuanto a importante información de seguridad.

Esto completa el ensamblaje. Limpiar con un trapo húmedo. Seque con un paño.

⚠ WARNING

Please use your furniture correctly and safely. Improper use can cause safety hazards, or damage to your furniture or household items. **Carefully read the following chart.**

Look out for:	What can happen:	How to avoid the problem:
<ul style="list-style-type: none"> Overloaded shelves or drawers. Improper loading can cause the product to be top-heavy. 	<ul style="list-style-type: none"> Risk of injury. Top-heavy furniture can tip over. Overloaded shelves and drawers can break. 	<ul style="list-style-type: none"> Never exceed the weight limits shown in the instructions. Work from bottom to top when loading shelves and drawers. Place the heavier items on the lower shelves or in lower drawers.
<ul style="list-style-type: none"> Improperly moving furniture that is not designed and equipped with casters. 	<ul style="list-style-type: none"> Furniture can tip over or break if improperly moved. Physical injury. Furniture can be very heavy. Breakage of tops - particularly with double pedestal furniture (drawers at both ends). 	<ul style="list-style-type: none"> Unload shelves and drawers from top to bottom before moving the unit. Do not push furniture, especially on a carpeted floor. Have a friend help you lift the item and set it in place. Provide support to the center section of the top when lifting the furniture.
<ul style="list-style-type: none"> Placing TVs on furniture items that are not designed to support a television is hazardous. 	<ul style="list-style-type: none"> Risk of injury or death. TVs can be very heavy. Plus the weight and location of the picture tube tends to make TVs unbalanced and prone to tipping forward. 	<ul style="list-style-type: none"> This product is not designed to support a television.

⚠ AVERTISSEMENT

Prière d'utiliser le mobilier à bon escient et avec prudence. Une mauvaise utilisation peut être à l'origine de risques d'accident ou peut endommager le mobilier et les articles ménagers. **Lire attentivement le tableau suivant.**

À surveiller :	Danger éventuel :	Solution :
<ul style="list-style-type: none"> Tablettes ou tiroirs surchargés. En cas de chargement inadéquat l'élément peut être lourd du haut. 	<ul style="list-style-type: none"> Risque de blessure. Du mobilier mal équilibré risque de se renverser. Tablettes et tiroirs surchargés risquent de casser. 	<ul style="list-style-type: none"> Ne jamais excéder les limites de poids indiquées dans les instructions. Pour charger les tablettes et tiroirs, commencer par remplir celui du bas pour finir par celui du haut. Placer les articles plus lourds sur les tablettes inférieures ou dans les tiroirs inférieurs.
<ul style="list-style-type: none"> Déplacement inadéquat d'un mobilier qui n'est pas conçu pour avoir des roulettes et n'en est pas équipé. 	<ul style="list-style-type: none"> Le mobilier risque de se renverser ou de casser en cas de déplacement inadéquat. Blessure physique. Le mobilier peut être très lourd. Défaillance des dessus surtout avec les éléments de double piédestaux (tiroirs en chaque extrémité). 	<ul style="list-style-type: none"> Décharger les tablettes et tiroirs en commençant par celui du haut avant de déplacer l'élément. Ne pas pousser le meuble, surtout sur la moquette. Se faire aider par une autre personne pour soulever l'élément et le mettre en place. Supporter la section centrale du dessus lorsque l'on soulève le meuble.
<ul style="list-style-type: none"> Il est dangereux de placer des téléviseurs sur des meubles que ne sont pas prévus à cet effet. 	<ul style="list-style-type: none"> Risque de blessures graves, voire mortelles. Les téléviseurs peuvent être particulièrement lourds. De plus, le poids et l'emplacement du tube image ont tendance à rendre les téléviseurs instables et enclins à tomber vers l'avant. 	<ul style="list-style-type: none"> Ce produit n'est pas destiné à supporter un téléviseur.

⚠ ADVERTENCIA

Por favor use el mobiliario correcta y seguramente. El mal uso puede causar riesgos de seguridad o daño a las unidades o artículos domésticos. **Cuidadosamente lea la tabla a continuación.**

Esté alerta de:	Puede ocurrir:	Evitar el problema:
<ul style="list-style-type: none">• Estantes o cajones sobrecargados.• Cargar el producto de manera inadecuada puede causar la inestabilidad.	<ul style="list-style-type: none">• Riesgo de lesiones.• El mobiliario inestable puede volcarse.• Estantes y cajones sobrecargados pueden romperse.	<ul style="list-style-type: none">• Nunca exceder los límites de peso indicados en las instrucciones.• Cargue los estantes y cajones a partir de la base y trabaje hacia arriba. Coloque los artículos más pesados sobre los estantes inferiores o en los cajones inferiores.
<ul style="list-style-type: none">• Mover incorrectamente el mobiliario que no está diseñado y provisto con ruedecitas.	<ul style="list-style-type: none">• La inclinación o rotura del mobiliario es posible si se mueve de manera inadecuada.• Lesión física. El mobiliario puede ser muy pesado.• Rotura de las superficies especialmente las unidades con dos pedestales (con cajones en cada extremo).	<ul style="list-style-type: none">• Descargue los estantes y cajones desde arriba hacia abajo antes de mover la unidad.• No empuje la unidad, especialmente sobre un piso alfombrado. Pide la ayuda de otra persona para levantar la unidad y colocarla en lugar.• Soporte la sección central del panel superior cuando levanta el mueble.
<ul style="list-style-type: none">• Es peligroso colocar los televisores sobre unidades de mobiliario que no están diseñadas para soportar un televisor.	<ul style="list-style-type: none">• Riesgo de lesiones o muerte. Los televisores pueden ser muy pesados. Además, el peso y la ubicación del tubo de imagen tienden a causar la inestabilidad de televisores y propensa a volcarse hacia adelante.	<ul style="list-style-type: none">• Este producto no está diseñado para soportar un televisor.

5-YEAR LIMITED WARRANTY

1. Sauder Woodworking Co. (Sauder®) provides limited warranty coverage to the original purchaser of this product for a period of five years from the date of purchase against defects in materials or workmanship of Sauder furniture components. As used in this Warranty, "defect" means imperfections in components which substantially impair the utility of the product. This Warranty gives you specific legal rights, and you may also have other rights which vary from state to state.

2. There is no warranty coverage for defects or conditions that result from the failure to follow product assembly instructions, information or warnings, misuse or abuse, intentional damage, fire, flood, alteration or modification of the product, or use of the product in a manner inconsistent with its intended use, nor any condition resulting from incorrect or inadequate maintenance, cleaning, or care. There is also no warranty coverage for rented products or any products purchased "used" or "as is", at a distress or going-out-of-business sale, or from a liquidator.

3. As the exclusive remedy under this Warranty, Sauder will (at its sole option) repair, replace or refund the value of any defective furniture component. Sauder may require independent confirmation of the claimed defect and proof of purchase. Replacement parts will be warranted for only the remaining period of the original Warranty. SAUDER SHALL HAVE NO LIABILITY FOR ANY INCIDENTAL OR CONSEQUENTIAL DAMAGES OF ANY KIND and all such damages are EXCLUDED FROM THIS WARRANTY, such as loss of use, disassembly, transportation, labor or damage to property on or near the product. Some states do not allow the exclusion or limitation of incidental or consequential damages, so the above limitation or exclusion may not apply to you.

GARANTIE LIMITÉE DE 5 ANS

1. Sauder Woodworking Co. (Sauder®) offre une couverture de garantie limitée à l'acheteur initial du présent produit pendant une période de cinq ans à compter de la date d'achat contre tout défaut de matériaux ou de fabrication des composantes de mobilier Sauder. Le mot « défaut », tel qu'il est utilisé sous les termes de la présente garantie, comprend les imperfections des pièces qui empêchent substantiellement l'utilisation du produit. La présente garantie vous donne des droits légaux spécifiques et il est possible que vous ayez des droits supplémentaires variant d'État en État ou de province en province.

2. La présente garantie ne saurait couvrir les défauts ou conditions qui surviendraient à la suite du non respect des instructions, informations ou mises en garde de montage, d'une mauvaise utilisation ou d'un abus, d'un dommage intentionnel, d'un incendie, d'une inondation, d'une altération ou modification du produit, d'une utilisation du produit allant à l'encontre de son usage prévu, ni aucune condition résultant d'une maintenance, d'un nettoyage ou d'un entretien inappropriés ou inadéquats. De plus, il n'existe aucune garantie pour les produits loués ou tous les produits achetés « d'occasion » ou « en l'état », dans le cadre d'une vente aux enchères ou de solde pour cessation de commerce, ou auprès d'un liquidateur.

3. En tant que recours exclusif en vertu de la présente garantie, Sauder réparera, remplacera ou remboursera (sur sa seule décision) la valeur de toute composante de mobilier défectueuse. Sauder peut exiger une confirmation indépendante du défaut revendiqué ainsi qu'une preuve d'achat. Les pièces de rechange seront garanties uniquement pendant la période restante de la garantie originale. SAUDER NE SERA EN AUCUN CAS RESPONSABLE DE TOUT DOMMAGE ACCESSOIRE OU CONSÉCUTIF DE TOUTE SORTE et lesdits dommages sont EXCLUS DE LA PRÉSENTE GARANTIE, à savoir perte d'utilisation, démontage, transport, main d'œuvre ou dommages matériels sur ou à proximité du produit. Certains États ou provinces ne permettant pas l'exclusion ou la limite aux responsabilités pour dommages accidentels ou consécutifs, la limite ou l'exclusion ci-dessus peut ne pas être applicable.

GARANTÍA LIMITADA DE 5 AÑOS

1. Sauder Woodworking Co. (Sauder®) provee cobertura de garantía limitada al comprador original de este producto por un período de cinco años, a partir de la fecha de compra, contra defectos en los materiales o de mano de obra en los componentes de muebles Sauder. Como es utilizado en esta Garantía, "defecto" significa imperfecciones en los componentes que de manera fundamental afecta la utilidad del producto. Esta Garantía le permite a usted ciertos derechos legales, y usted también podría poseer otros derechos adicionales, los cuales varían de estado a estado.

2. No hay cobertura de garantía para defectos o estados que resulten del incumplimiento en seguir las instrucciones, la información o las advertencias sobre el ensamblaje del producto; del uso incorrecto o maltrato, del daño intencional, incendio, inundación, cambio o modificación del producto; o de la utilización del producto de manera contradictoria con el uso para el cual fue fabricado, ni por ningún estado que resulte del mantenimiento, limpieza o cuidado incorrecto o inadecuado. Tampoco no hay cobertura de garantía para los productos rentados o para cualesquiera productos comprados "de uso" o "como está", en una venta de bienes embargados o en una venta por salirse del negocio, o comprados a un liquidador.

3. Como un recurso exclusivo bajo esta Garantía, Sauder (sólo a su opción) reparará, reemplazará o reembolsará el valor de cualquier componente defectuoso de mueble. Sauder puede requerir una confirmación independiente de un defecto reclamado y una prueba de compra. Las piezas de repuesto serán garantizadas solamente por el período de tiempo que queda de la Garantía original. SAUDER NO TENDRÁ RESPONSABILIDAD por NINGÚN DAÑO INCIDENTAL O CONSECUENTE DE NINGÚN TIPO y todos dichos daños SE EXCLUYEN DE ESTA GARANTÍA, tales como pérdida de uso, desensamblaje, transportación, trabajo o daño a la propiedad en o cerca del producto. Algunos estados no permiten la exclusión o limitación de daños incidentales o consecuentes, en tales instancias la limitación o exclusión antes mencionada podría no ser aplicable a usted.

4. This Warranty applies only to warranted defects that first arise and are reported to Sauder within the warranty coverage period. The Warranty cannot be transferred to subsequent owners or users of the product, and it shall be immediately void in the event the product is resold, transferred, leased or rented to any third party or person other than the original purchaser.

5. THERE ARE NO OTHER WARRANTIES APPLICABLE TO THIS PRODUCT. Under the laws of certain states, there may be no implied warranties from Sauder and all implied warranties, INCLUDING ANY IMPLIED WARRANTY OF MERCHANTABILITY OR FITNESS FOR A PARTICULAR PURPOSE are disclaimed where allowed by law. TO THE EXTENT ANY IMPLIED WARRANTIES ARE APPLICABLE, ANY IMPLIED WARRANTIES, INCLUDING ANY IMPLIED WARRANTY OF MERCHANTABILITY OR FITNESS FOR A PARTICULAR PURPOSE, ARE LIMITED IN DURATION TO THE DURATION OF THIS EXPRESS WARRANTY or the minimum period allowed by law, whichever is shorter. Some states do not allow limitations on how long an implied Warranty lasts, so the above limitation may not apply to you.

6. For Warranty inquiries or claims, please visit our website www.sauder.com. You can also contact Sauder at 1.800.445.1527. Sauder may require Warranty claims to be submitted in writing to: Sauder Woodworking Co., 502 Middle Street, Archbold, OH 43502 USA. Please include your sales receipt or other proof of purchase and a specific description of the product defect.

4. La présente garantie ne s'applique qu'aux défauts garantis qui se produisent pour la première fois et qui sont signalés à Sauder dans les limites de couverture de la garantie. La garantie ne peut pas être transférée à des propriétaires ou utilisateurs subséquents du produit, et sera immédiatement invalidée dans le cas où le produit est revendu, transféré, loué sous bail ou loué à une tierce partie ou personne autre que l'acheteur original.

5. IL N'EXISTE AUCUNE AUTRE GARANTIE EN VIGUEUR POUR LE PRÉSENT PRODUIT. En vertu des lois de certains États ou provinces, il ne peut y avoir de garanties implicites de la part de Sauder et toutes les garanties implicites, Y COMPRIS TOUTE GARANTIE IMPLICITE DE COMMERCIALITÉ OU D'ADAPTATION À UN USAGE PARTICULIER sont déclinées partout où la loi l'autorise. DANS LA MESURE OÙ TOUTE GARANTIE IMPLICITE EST APPLICABLE, TOUTE GARANTIE IMPLICITE, Y COMPRIS TOUTE GARANTIE DE COMMERCIALITÉ OU D'ADAPTATION À UN USAGE PARTICULIER, EST LIMITÉE À LA DURÉE DE LA PRÉSENTE GARANTIE EXPRESSE ou à la période minimum autorisée par la loi, la période la plus courte étant retenue. Certains États ne permettant pas que des limites soient imposées quant à la durée d'une garantie implicite, la limite ci-dessus peut donc ne pas être applicable.

6. Pour toute question concernant la garantie ou toute demande de réclamation, consulter le site Web www.sauder.com. Il est également possible de contacter Sauder en composant le 1.800.445.1527. Sauder peut exiger de soumettre les demandes de réclamation sous garantie par écrit à : Sauder Woodworking Co., 502 Middle Street, Archbold, OH 43502 USA. Veuillez joindre votre ticket de caisse ou toute autre preuve d'achat ainsi qu'une description spécifique du défaut de produit.

4. Esta Garantía sólo es aplicable a defectos garantizados que primeramente surjan y se informen a Sauder dentro del período de cobertura de garantía. La Garantía no puede ser transferida a propietarios o usuarios subsiguientes del producto, y ésta será inmediatamente invalidada en el caso que el producto sea revendido, transferido, arrendado o rentado a cualquier tercero u otra persona que no sea el comprador original.

5. NO HAY OTRA GARANTÍA APLICABLE A ESTE PRODUCTO. Bajo las leyes de ciertos estados, pueden no haber garantías implícitas de Sauder y se hace renuncia de responsabilidad de todas las garantías implícitas donde lo permita la ley, INCLUYENDO CUALQUIER GARANTÍA IMPLÍCITA DE MERCANTIBILIDAD O DE APTITUD PARA UN PROPÓSITO EN PARTICULAR. EN LA MEDIDA CUALQUIER GARANTÍA IMPLÍCITA ES APLICABLE, CUALESQUIERA GARANTÍAS IMPLÍCITAS, INCLUYENDO AQUELLA DE MERCANTIBILIDAD O DE APTITUD PARA UN PROPÓSITO EN PARTICULAR, SE LIMITAN EN DURACIÓN HASTA LA DURACIÓN DE ESTA GARANTÍA IMPLÍCITA o hasta el período mínimo permitido por la ley, la que sea más corta. Algunos estados no permiten limitaciones en cuanto a la duración de una garantía implícita, por eso la limitación arriba citada pueda no ser aplicable a usted.

6. Para solicitud de información o reclamación de Garantía, por favor, visite nuestro sitio Web www.sauder.com. Usted también puede contactar a Sauder llamando al 1.800.445.1527. Sauder puede solicitar que las reclamaciones sean presentadas por escrito a: Sauder Woodworking Co., 502 Middle Street, Archbold, OH 43502 USA. Por favor incluya su recibo de venta u otra prueba de compra y una descripción detallada del defecto del producto.

Dear Valued Customer:

Thanks so much for choosing Sauder® furniture. I hope the purchase and assembly process was a positive experience and you feel good about the furniture you just built. If you need assistance or want to learn more, please contact our award-winning, Ohio-based customer service team at 1-800-445-1527 or Sauder.com.

My grandfather, Erie Sauder, founded the company in 1934 and later invented and patented the first commercially successful ready-to-assemble tables. We strive to hold true to his core values of innovation, integrity, servanthood and stewardship.

Sauder products are made with environmentally responsible materials and world-class manufacturing processes. Our 2,000+ dedicated employees in Archbold, Ohio, along with our global manufacturing partners, are committed to providing you furniture with great value, style and quality.

From our family to you. Enjoy!



Kevin J. Sauder
President/CEO

So, how did it go?

Set a world record for speed?
Feeling good about yourself?
Nice. Get social with it on any
of these quality share sites.



And don't forget to rate and
review your piece at Sauder.com
in the product detail page.



Register your new
product online

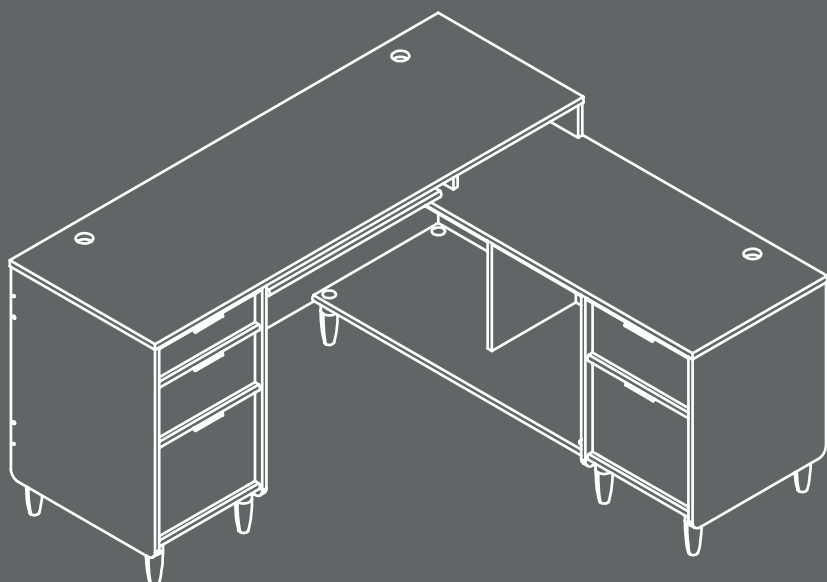
For immediate service, our website is available 24 hours per day, seven days per week, to order replacement parts, access assembly tips, register your product and view Sauder products. www.sauder.com

Customer Services in United States and Canada
Monday through Friday – 9 a.m. to 5:30 p.m. ET
(except holidays) 1-800-445-1527

General Conformity Certificate

1. This certificate applies to the Sauder Global Sourcing Product identified by this Instruction Book.
2. This certificate applies to compliance of this product with the CPSC Ban on Lead-Containing Paint (16 CFR 1303).
3. This product is manufactured for:
Sauder Woodworking Company
502 Middle St.
Archbold, OH 43502
4. Date of Manufacture: _____

sauder.com



Assembly
Instructions for
Return on Right

L-Shaped Desk

Clifford Place Collection | Model 433361

Need help? Visit Sauder.com to view video assembly tips or chat with a live rep.
Prefer the phone? Call 1-800-445-1527.

Share your journey!



NOTE: THIS INSTRUCTION BOOKLET CONTAINS **IMPORTANT** SAFETY INFORMATION.

PLEASE READ AND KEEP FOR FUTURE REFERENCE.

English pg 1-58
Français pg 59-65
Español pg 66-72

Lot #: **576877**

Date Purchased: _____

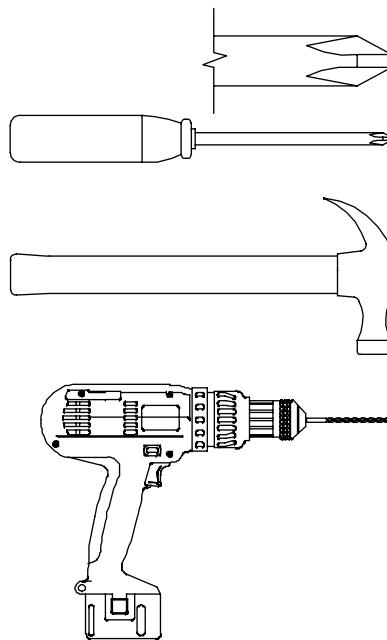
01/17/22

Be sure to give us a ring before making any returns. 1-800-445-1527

Table of Contents

Assembly Tools Required

Part Identification	2-3
Hardware Identification	4-5
Assembly Steps	6-58
Français	59-65
Español	66-72
Safety	73-74
Warranty	75



No. 2 Phillips Screwdriver
Tip Shown Actual Size

Hammer
Not actual size 😊

Electric drill with 3/16" bit
(ONLY in indicated step)

Part Identification

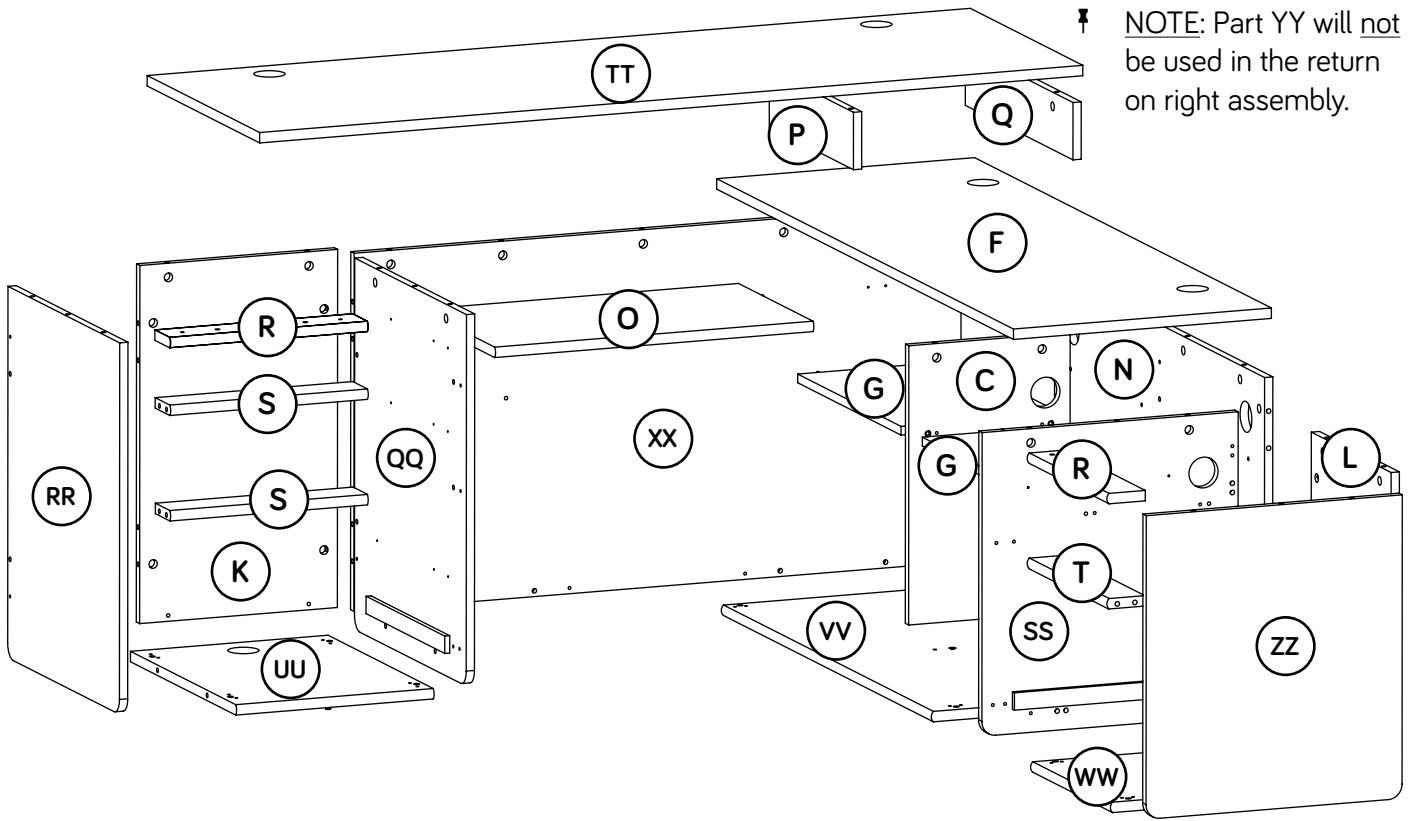
Now you know
our ABCs.



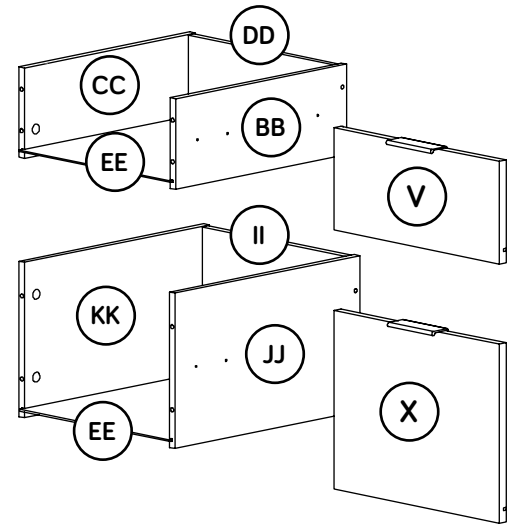
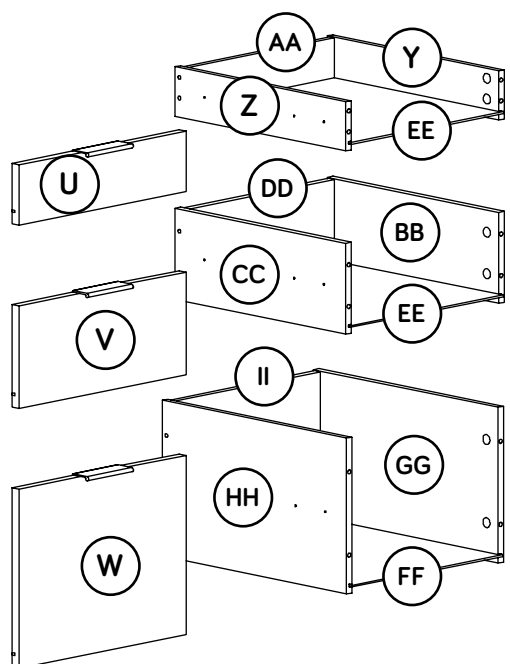
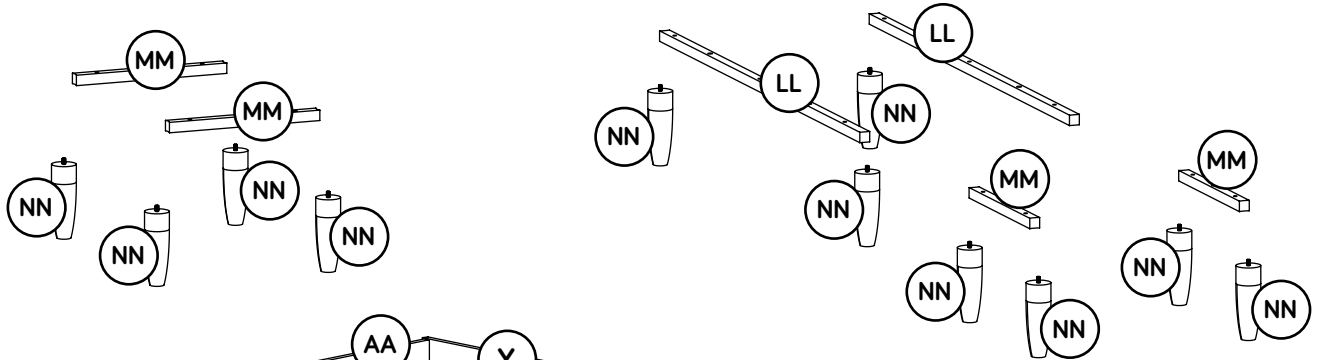
⚠ While not all parts are labeled, some of the parts will have a label or an inked letter on the edge to help distinguish similar parts from each other. Use this part identification to help identify similar parts.

C	UPRIGHT (1)	W	LARGE DRAWER FRONT (1)	KK	RETURN LEFT DRAWER SIDE (1)
F	RETURN TOP (1)	X	RETURN DRAWER FRONT (1)	LL	LONG BOTTOM RAIL (2)
G	SHELF (2)	Y	SMALL RIGHT DRAWER SIDE (1)	MM	BOTTOM RAIL (4)
K	SMALL BACK (1)	Z	SMALL LEFT DRAWER SIDE (1)	NN	FOOT (11)
L	RETURN SMALL BACK (1)	AA	SMALL DRAWER BACK (1)	QQ	RIGHT END (1)
N	RETURN BACK (1)	BB	RIGHT DRAWER SIDE (2)	RR	LEFT END (1)
O	KEYBOARD SHELF (1)	CC	LEFT DRAWER SIDE (2)	SS	RETURN UPRIGHT (1)
P	SHORT UPRIGHT (1)	DD	DRAWER BACK (2)	TT	TOP (1)
Q	LONG UPRIGHT (1)	EE	DRAWER BOTTOM (4)	UU	SMALL BOTTOM (1)
R	TOP RAIL (2)	FF	LARGE DRAWER BOTTOM (1)	VV	BOTTOM (1)
S	BRACE (2)	GG	LARGE RIGHT DRAWER SIDE (1)	WW	RETURN SMALL BOTTOM (1)
T	RETURN BRACE (1)	HH	LARGE LEFT DRAWER SIDE (1)	XX	BACK (1)
U	SMALL DRAWER FRONT (1)	II	LARGE DRAWER BACK (2)	YY	RETURN LEFT END (1)
V	DRAWER FRONT (2)	JJ	RETURN RIGHT DRAWER SIDE (1)	ZZ	RETURN RIGHT END (1)

Part Identification



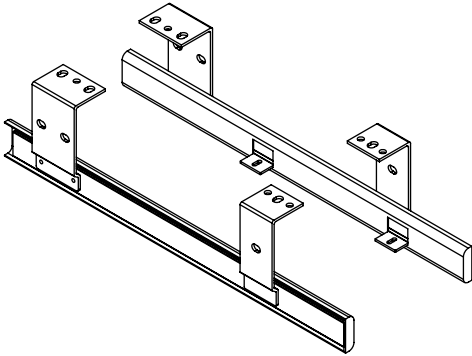
NOTE: Part YY will not be used in the return on right assembly.



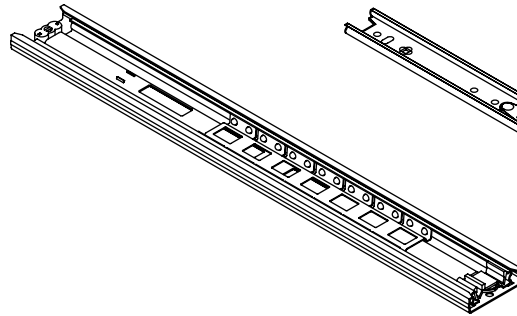
Hardware Identification

† Screws are shown actual size. You may receive extra hardware with your unit.

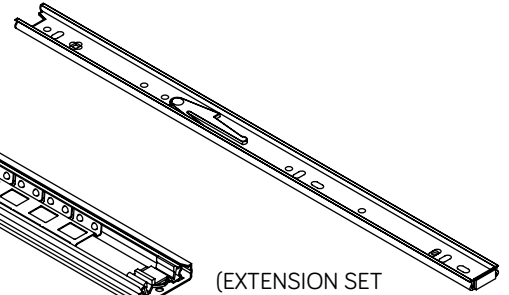
1 SHELF SLIDER SET - 1



2 LONG EXTENSION RAIL - 2

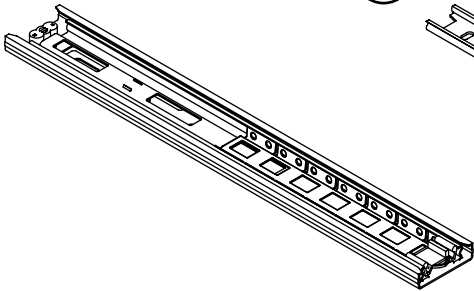


3 LONG EXTENSION SLIDE - 2

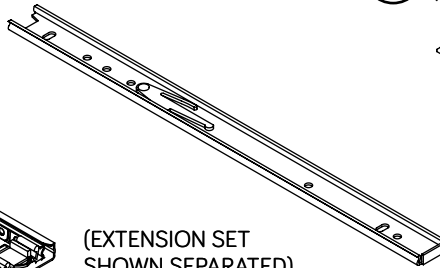


(EXTENSION SET SHOWN SEPARATED)

4 EXTENSION RAIL - 2

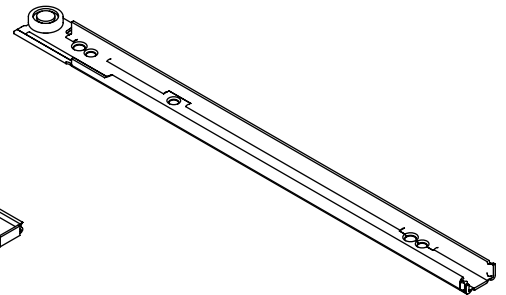


5 EXTENSION SLIDE - 2

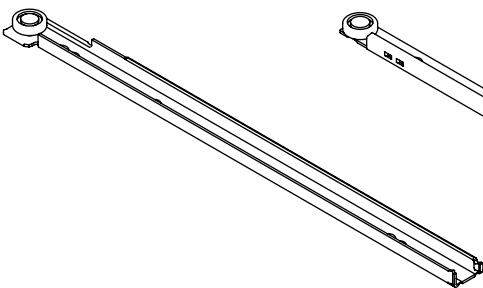


(EXTENSION SET SHOWN SEPARATED)

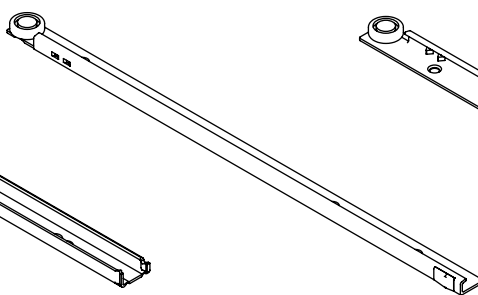
6 RIGHT CABINET RAIL - 3



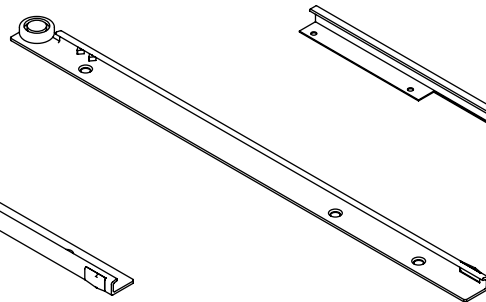
7 LEFT CABINET RAIL - 3



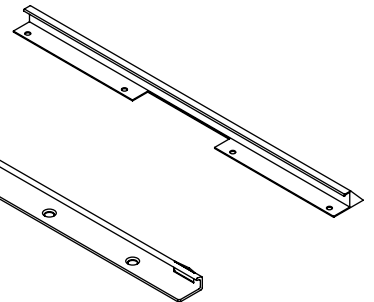
8 RIGHT DRAWER SLIDE - 3



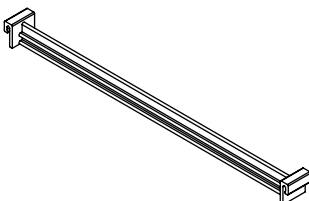
9 LEFT DRAWER SLIDE - 3



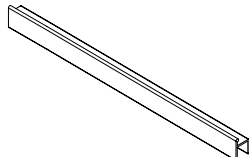
10 FRONT FILE GLIDE - 1



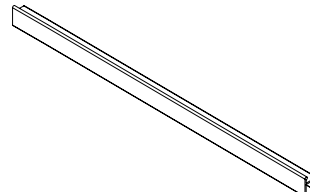
11 FILE HANGER - 4



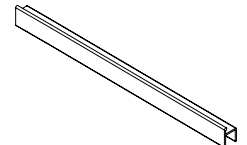
12 BACK FILE GLIDE - 1



13 LONG FILE GLIDE - 2



14 SHORT FILE GLIDE - 2



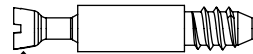
Hardware Identification

† Screws are shown actual size. You may receive extra hardware with your unit.

15 LARGE HIDDEN CAM - 57

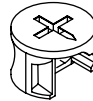


16 ANGLED HEAD CAM SCREW - 57

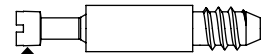


Angled head

17 SMALL HIDDEN CAM - 20



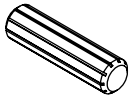
18 STRAIGHT HEAD CAM SCREW - 20



Straight head

(Do not open parts 17 and 18 until you are ready to assemble the drawers.)

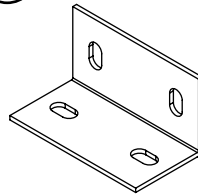
19 LONG WOOD DOWEL - 40



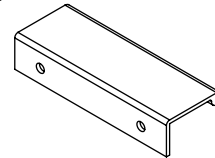
20 SHORT WOOD DOWEL - 12



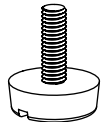
21 BRACKET - 2



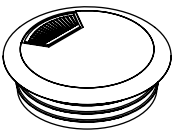
22 PULL - 5



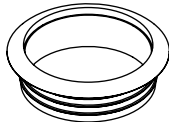
23 ADJUSTABLE GLIDE - 11



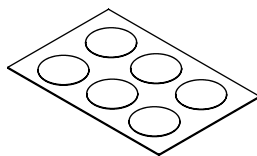
24 GROMMET WITH CAP - 4



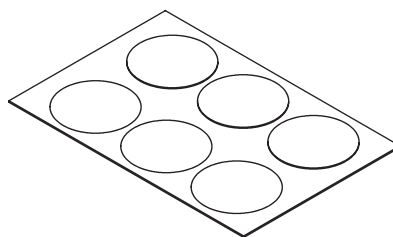
25 GROMMET - 4



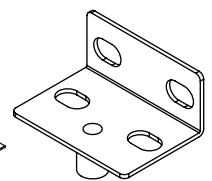
26 APPLIQUE CARD - 1



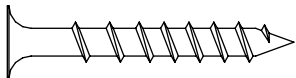
27 LARGE APPLIQUE CARD - 1



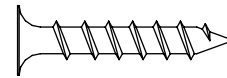
35 LEG BRACKET - 10



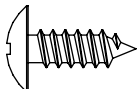
28 BLACK 1-1/2" FLAT HEAD SCREW - 44



29 BLACK 1-1/8" FLAT HEAD SCREW - 18



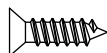
30 BLACK 5/8" LARGE HEAD SCREW - 4



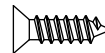
31 BLACK 1/2" PAN HEAD SCREW - 40



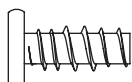
32 BLACK 1/2" FLAT HEAD SCREW - 36



33 SILVER 1/2" FLAT HEAD SCREW - 10



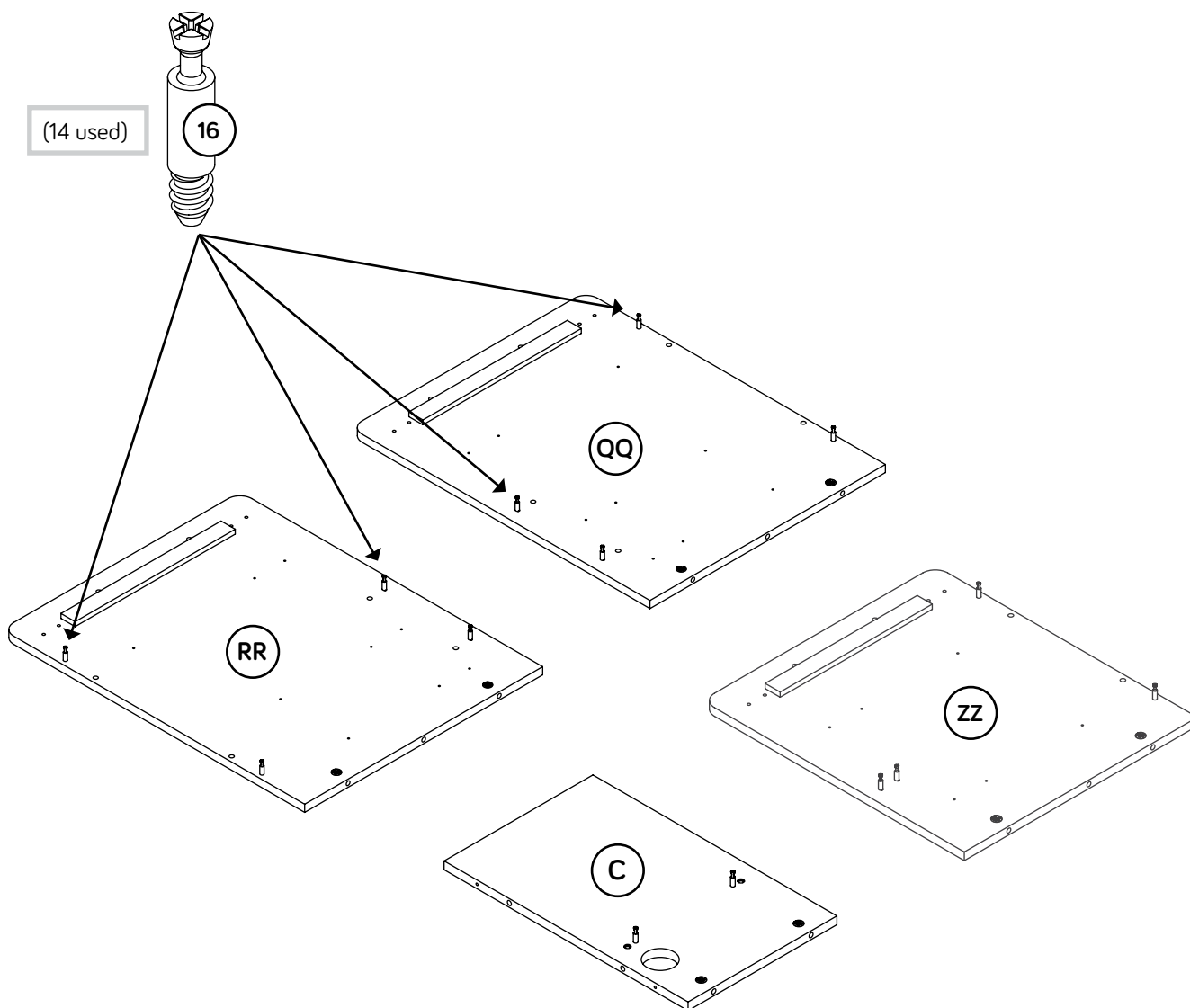
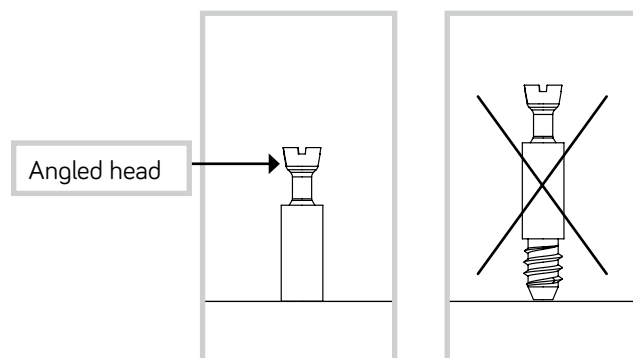
34 9/16" WAFER HEAD SCREW - 40



Step 2

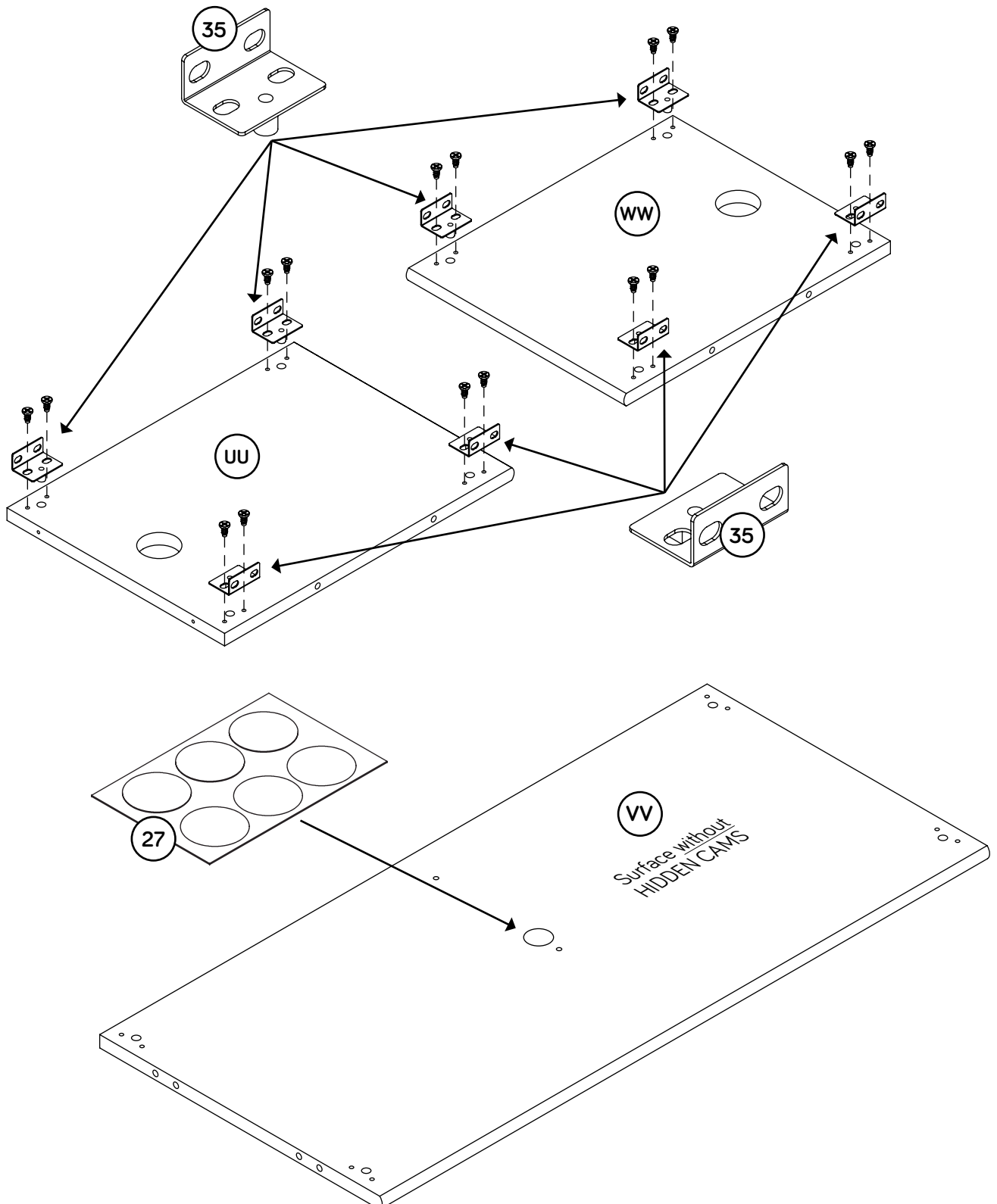
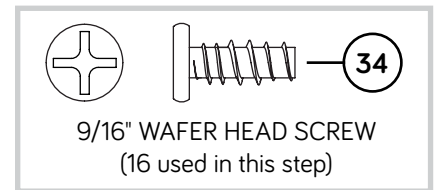


- Turn fourteen ANGLED HEAD CAM SCREWS (16) into the exact holes shown in the ENDS (QQ and RR), UPRIGHT (C), and RETURN RIGHT END (ZZ).




Step 3

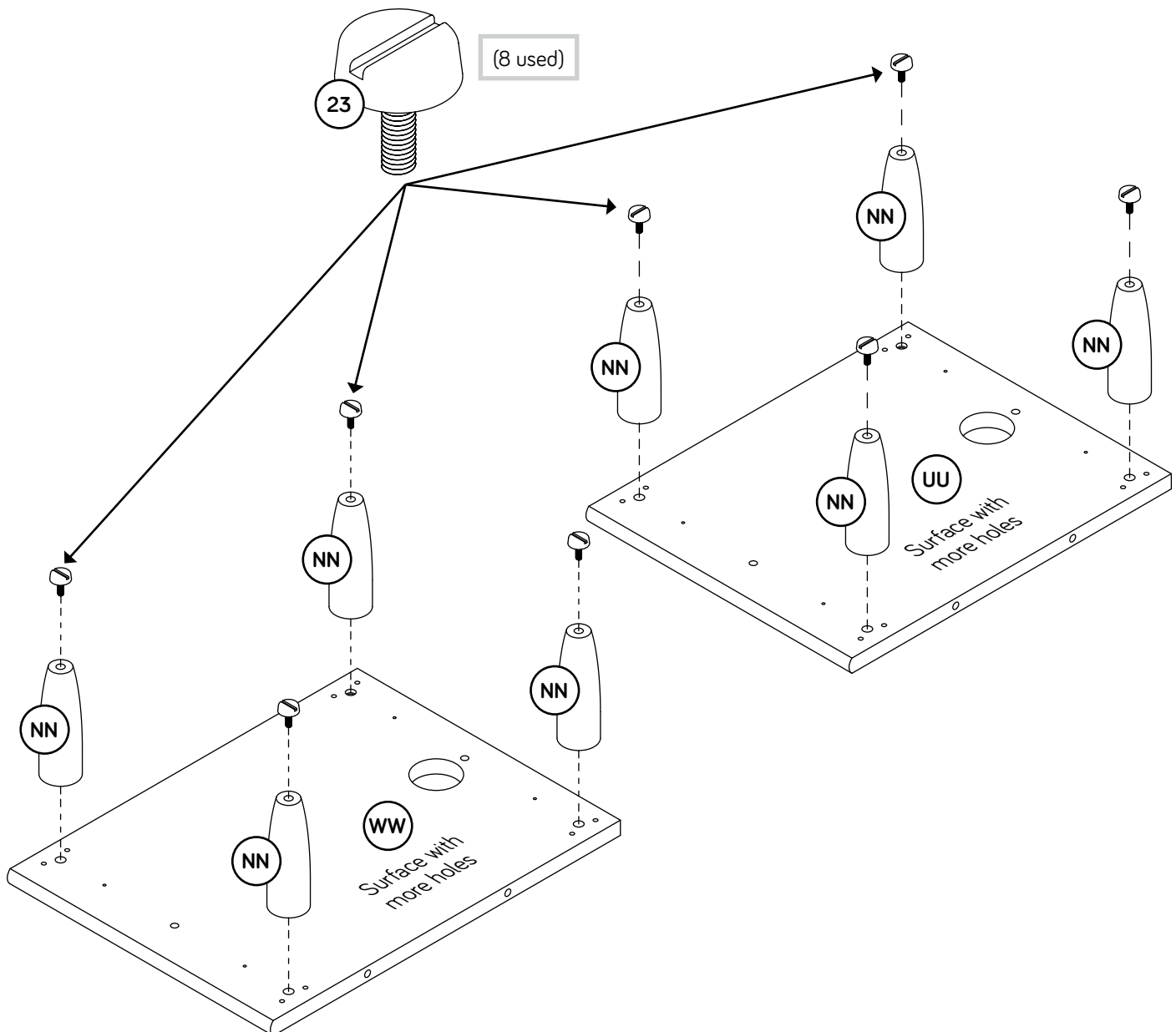
- Fasten eight LEG BRACKETS (35) to the SMALL BOTTOMS (UU and WW). Use sixteen 9/16" WAFER HEAD SCREWS (34).
- Peel a STICKER from the LARGE APPLIQUE CARD (27) and place it over the large hole in the BOTTOM (VV).



Step 4

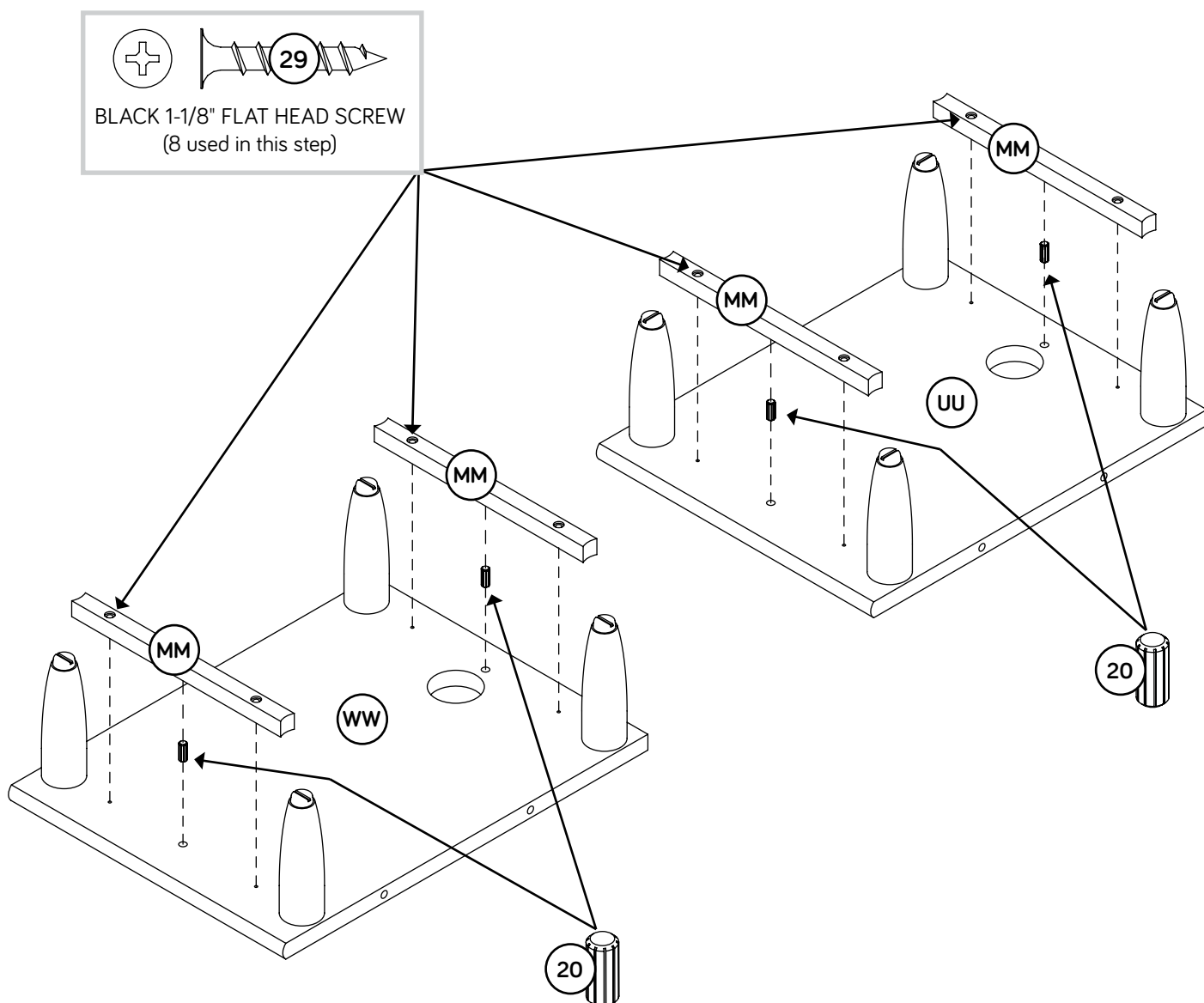
- ✚ Turn eight FEET (NN) into the SMALL BOTTOMS (UU and WW).
- ✚ NOTE: Do not overtighten the FEET.
- ✚ Then, turn eight ADJUSTABLE GLIDES (23) into the FEET (NN).
- ✚ NOTE: Turn the ADJUSTABLE GLIDES completely in. Final adjustments will be made after the unit is standing upright.

 Some assembly (and snacks) required.



Step 5

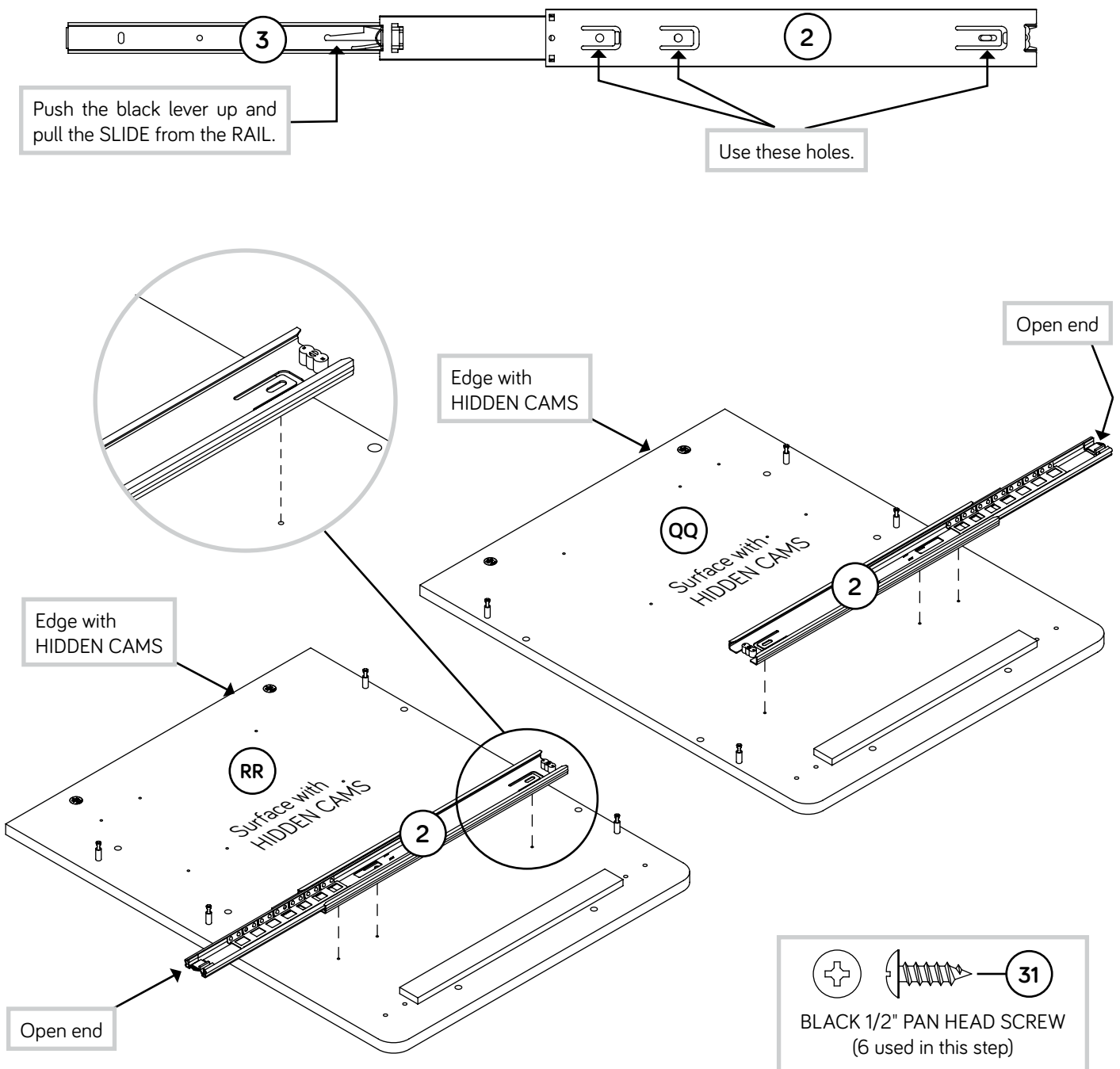
- ✚ Insert four SHORT WOOD DOWELS (20) into the SMALL BOTTOMS (UU and WW).
- ✚ Fasten four BOTTOM RAILS (MM) to the SMALL BOTTOMS (UU and WW). Use eight BLACK 1-1/8" FLAT HEAD SCREWS (29).
- ✚ NOTE: Be sure the SHORT WOOD DOWELS in the SMALL BOTTOMS insert into the BOTTOM RAILS.



Step 6

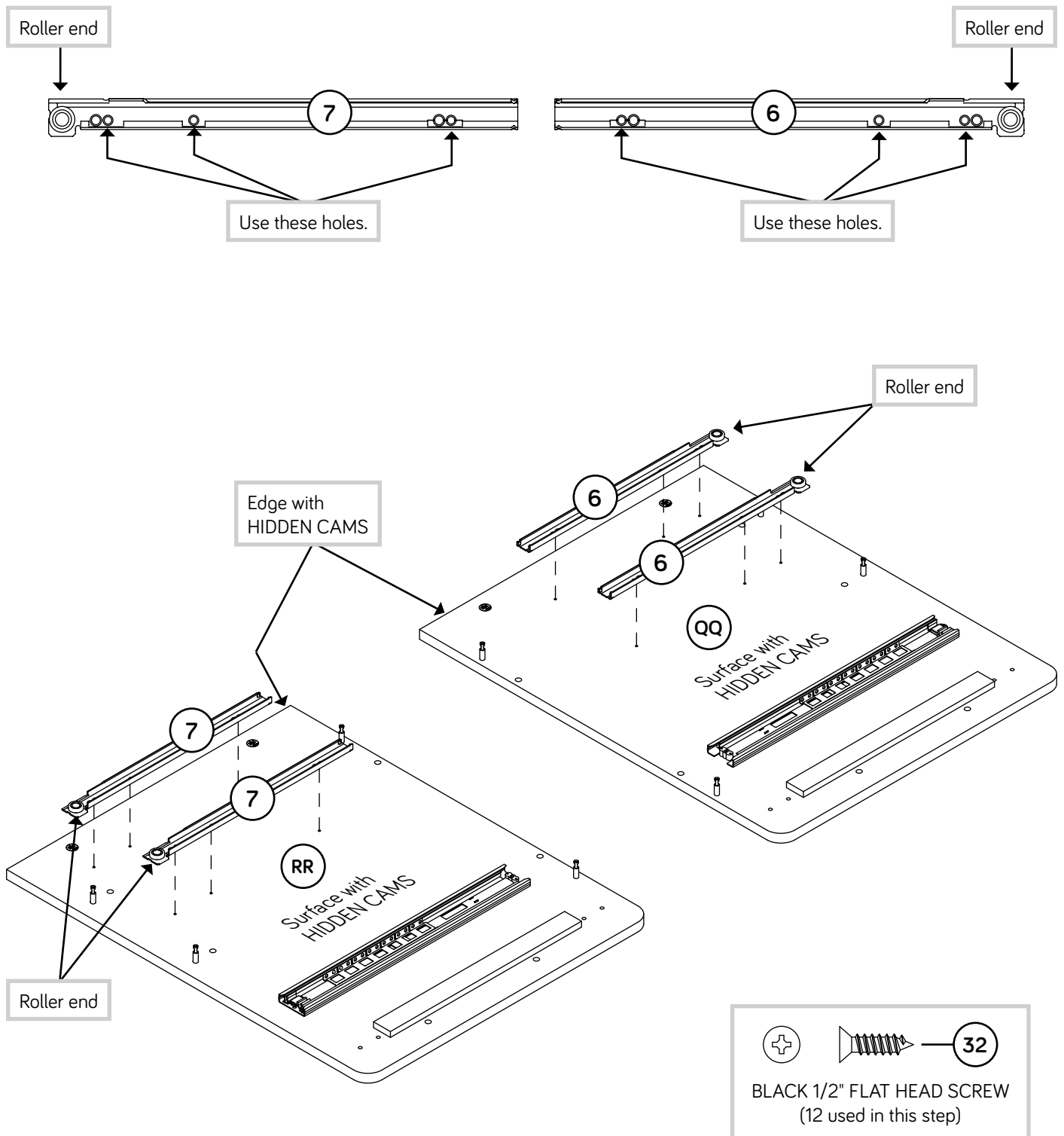


- ✦ Separate the LONG EXTENSION SLIDES (3) from the LONG EXTENSION RAILS (2) as shown in the enlarged diagram below. Be prepared, the parts are greasy.
- ✦ Fasten two LONG EXTENSION RAILS (2) to the ENDS (QQ and RR). Use six BLACK 1/2" PAN HEAD SCREWS (31).
- ✦ **NOTE:** For each EXTENSION RAIL, turn a SCREW into the hole shown in the enlarged diagram. Then, slide the inner cartridge of the EXTENSION RAIL in to find the other holes that lines up with the holes in the ENDS. Turn a SCREW into this hole.
- ✦ **NOTE:** The LONG EXTENSION SLIDES will be used later for the LARGE DRAWER.



Step 7

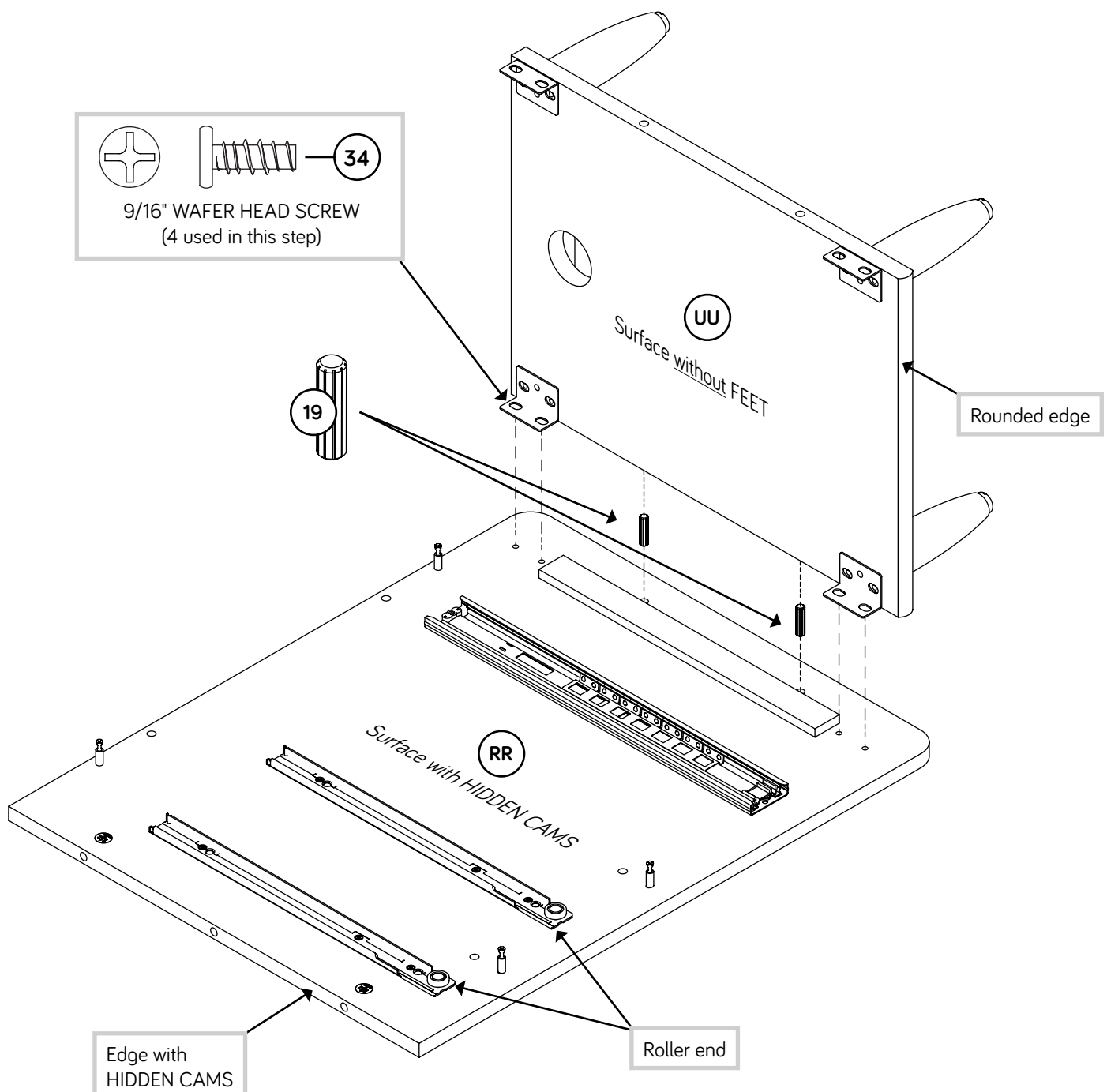
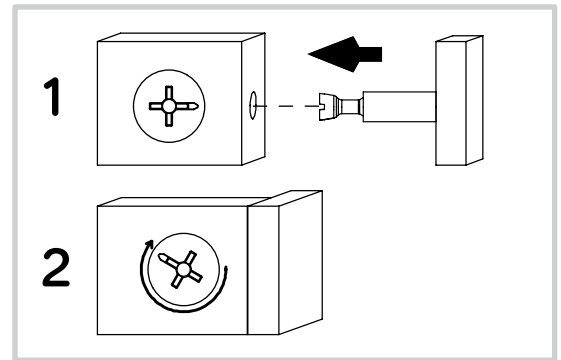
Fasten the CABINET RAILS (6 and 7) to the ENDS (QQ and RR). Use twelve BLACK 1/2" FLAT HEAD SCREWS (32).



Step 8



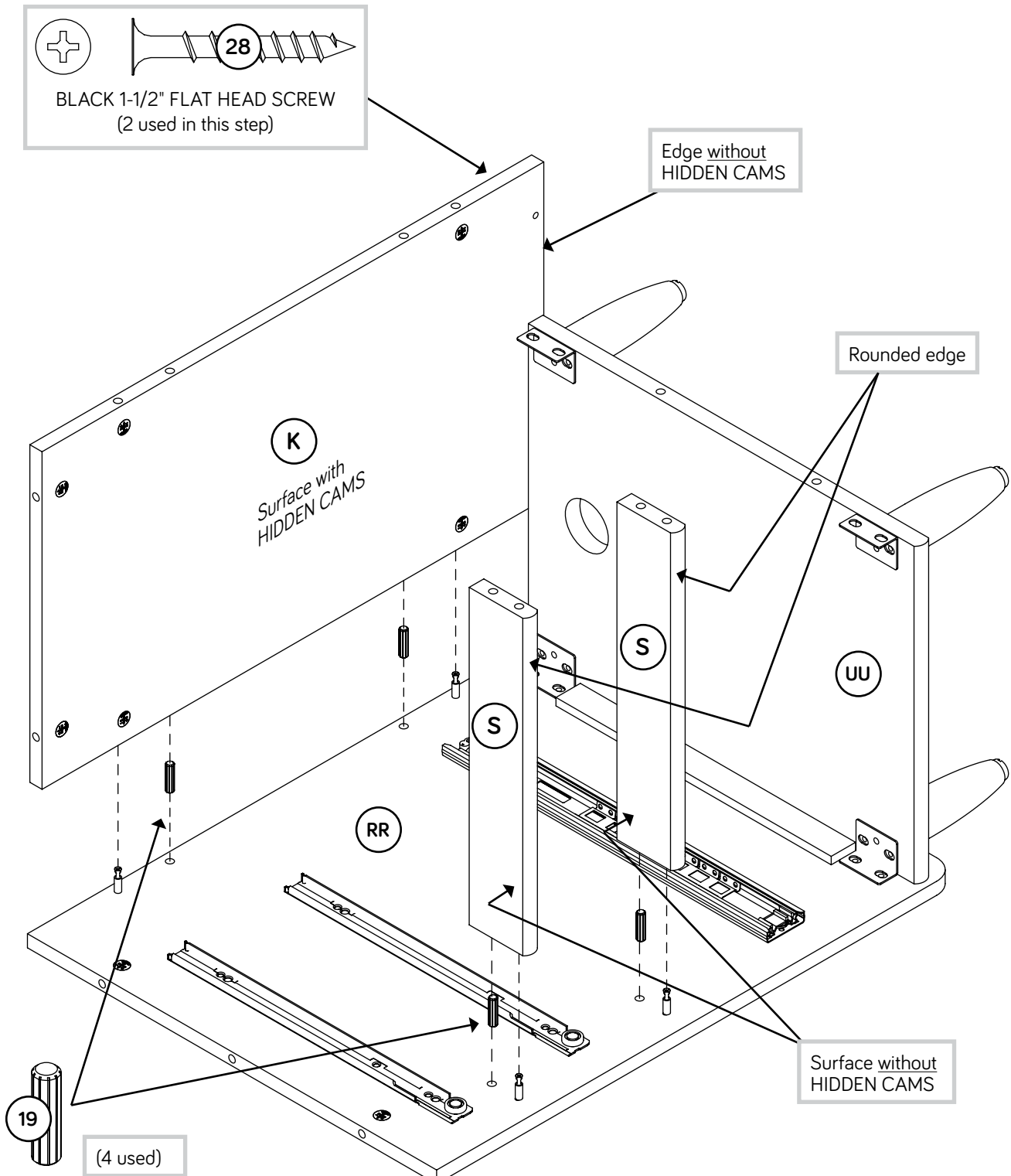
- ✚ Insert two LONG WOOD DOWELS (19) into the exact holes shown in the LEFT END (RR).
- ✚ Fasten the SMALL BOTTOM (UU) to the LEFT END (RR). Use four 9/16" WAFER HEAD SCREWS (34) through the LEG BRACKETS on the SMALL BOTTOM (UU) and into the LEFT END.
- ✚ **NOTE:** Be sure the WOOD DOWELS in the LEFT END insert into the holes in the SMALL BOTTOM.



Step 9



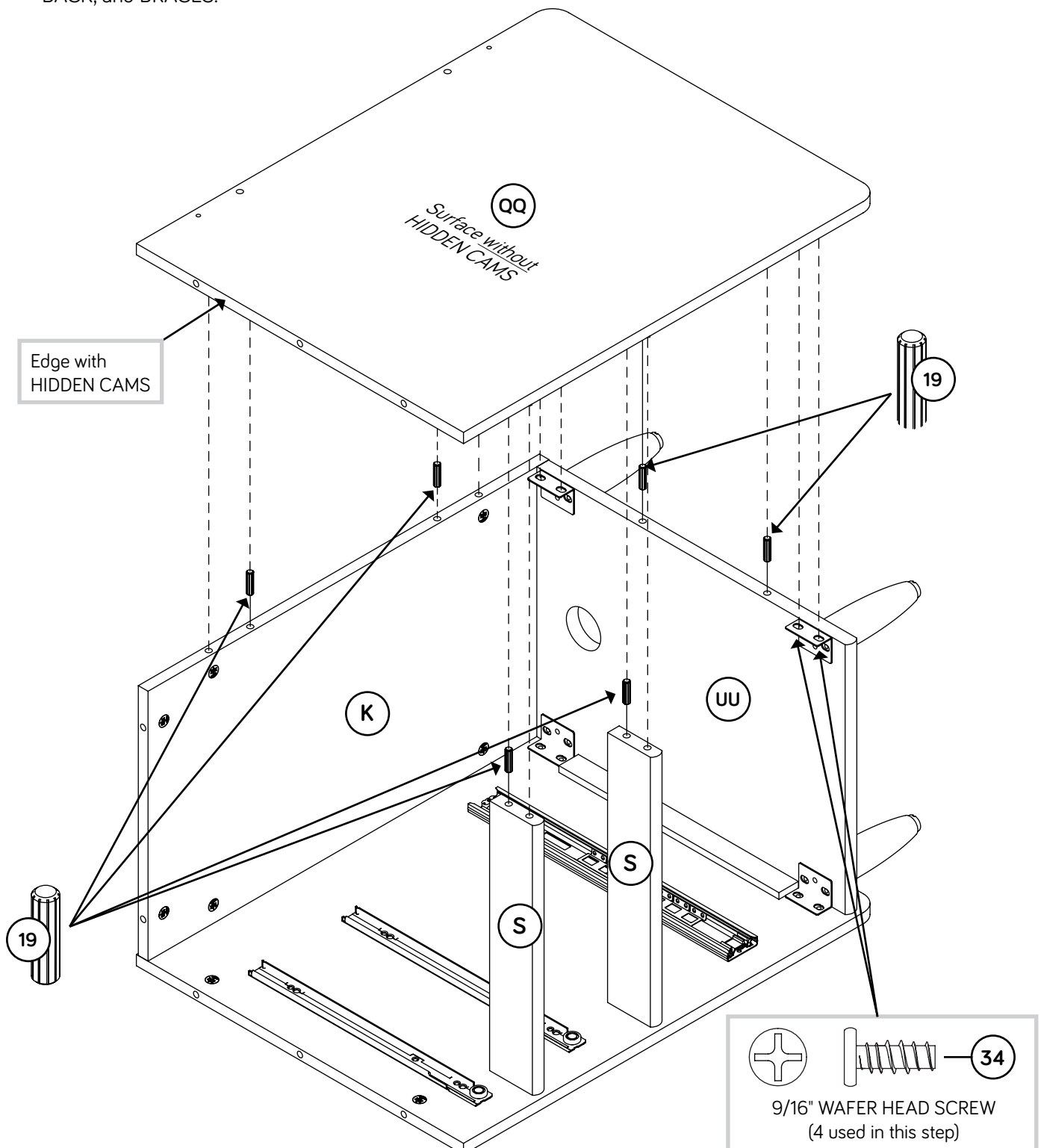
- ✚ Insert four LONG WOOD DOWELS (19) into the exact holes shown in the LEFT END (RR).
- ✚ Fasten the SMALL BACK (K) and the BRACES (S) to the LEFT END (RR). Tighten four HIDDEN CAMS.
- ✚ **NOTE:** Be sure the LONG WOOD DOWELS in the LEFT END insert into the SMALL BACK and BRACES.
- ✚ Fasten the SMALL BACK (K) to the SMALL BOTTOM (UU). Use two BLACK 1-1/2" FLAT HEAD SCREWS (28).



Step 10



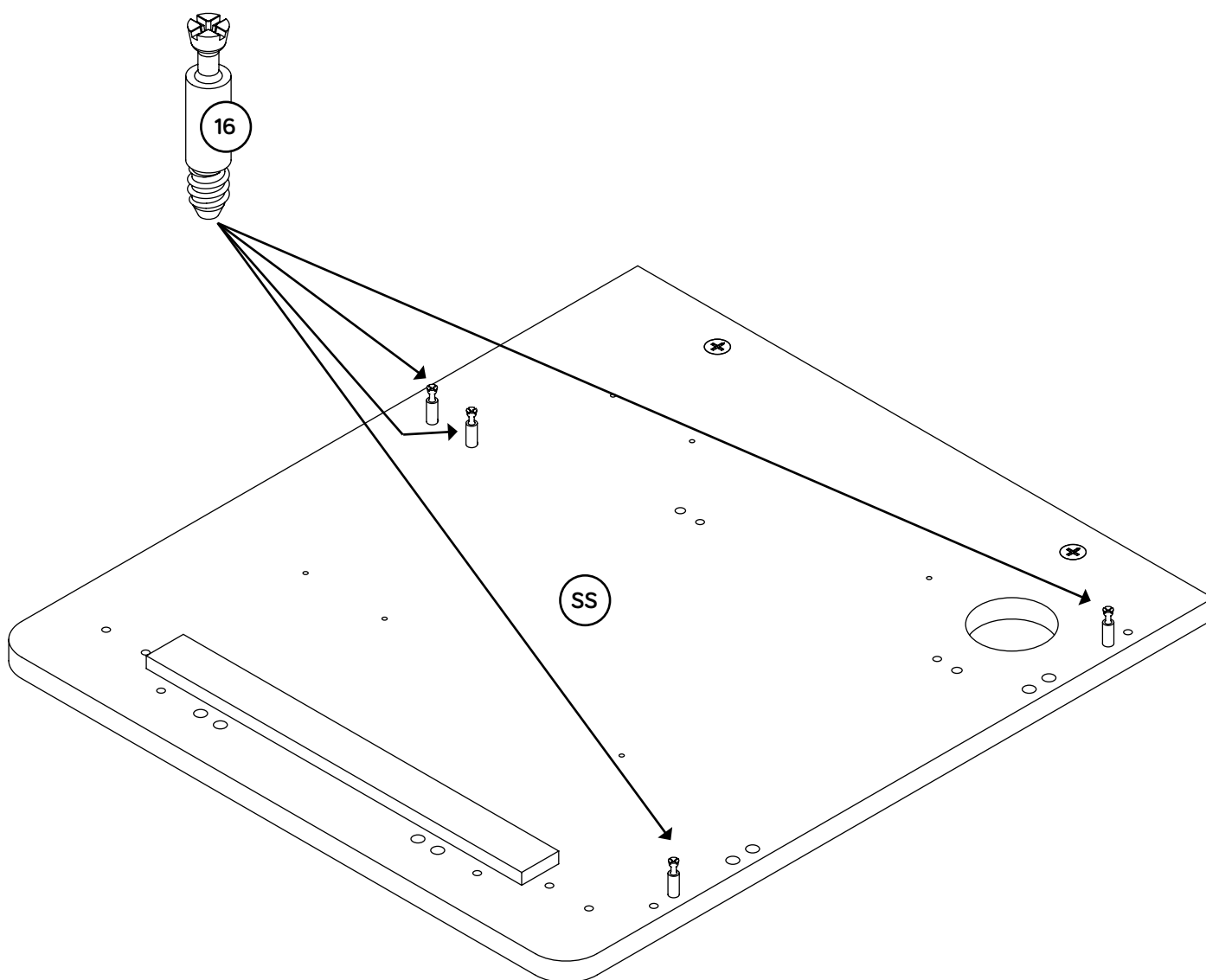
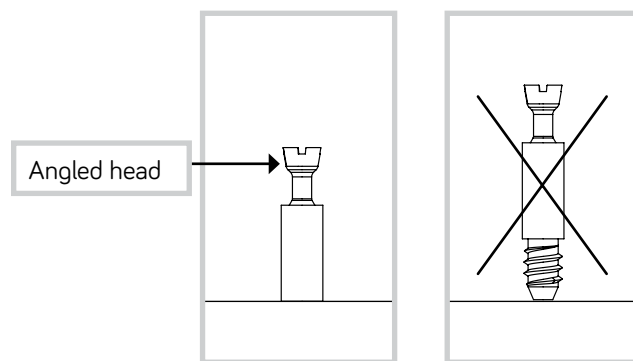
- ✚ Insert six LONG WOOD DOWELS (19) into the RIGHT END (QQ).
- ✚ Fasten the RIGHT END (QQ) to the SMALL BACK (K) and BRACES (S). Tighten four HIDDEN CAMS.
- ✚ Fasten the RIGHT END (QQ) to the SMALL BOTTOM (UU). Use four 9/16" WAFER HEAD SCREWS (34) through the LEG BRACKETS on the SMALL BOTTOM and into the RIGHT END.
- ✚ **NOTE:** Be sure the LONG WOOD DOWELS in the RIGHT END insert into the holes in the SMALL BOTTOM, SMALL BACK, and BRACES.



Step 11

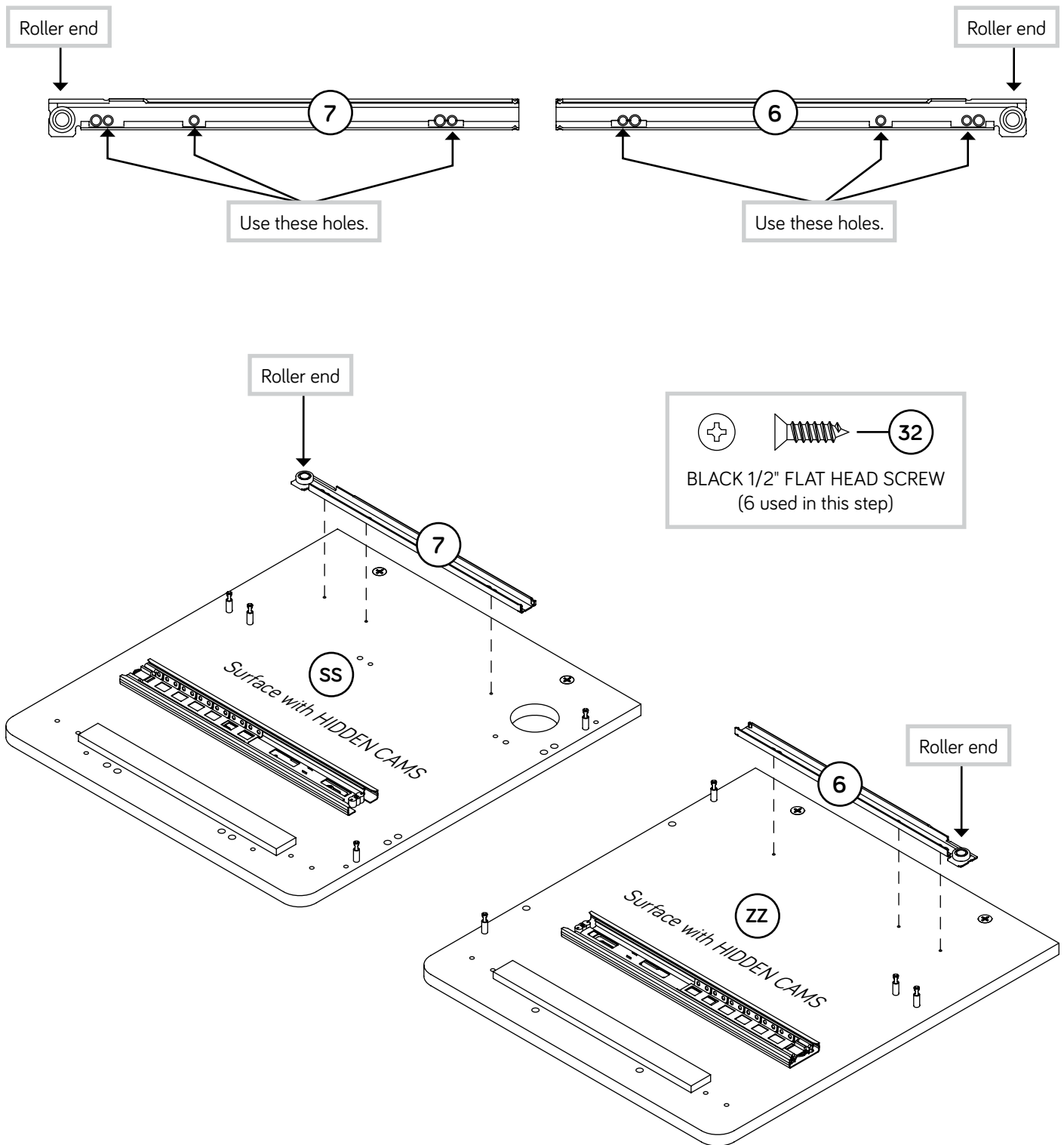


- Turn four ANGLED HEAD CAM SCREWS (16) into the exact holes shown in the RETURN UPRIGHT (SS).



Step 13

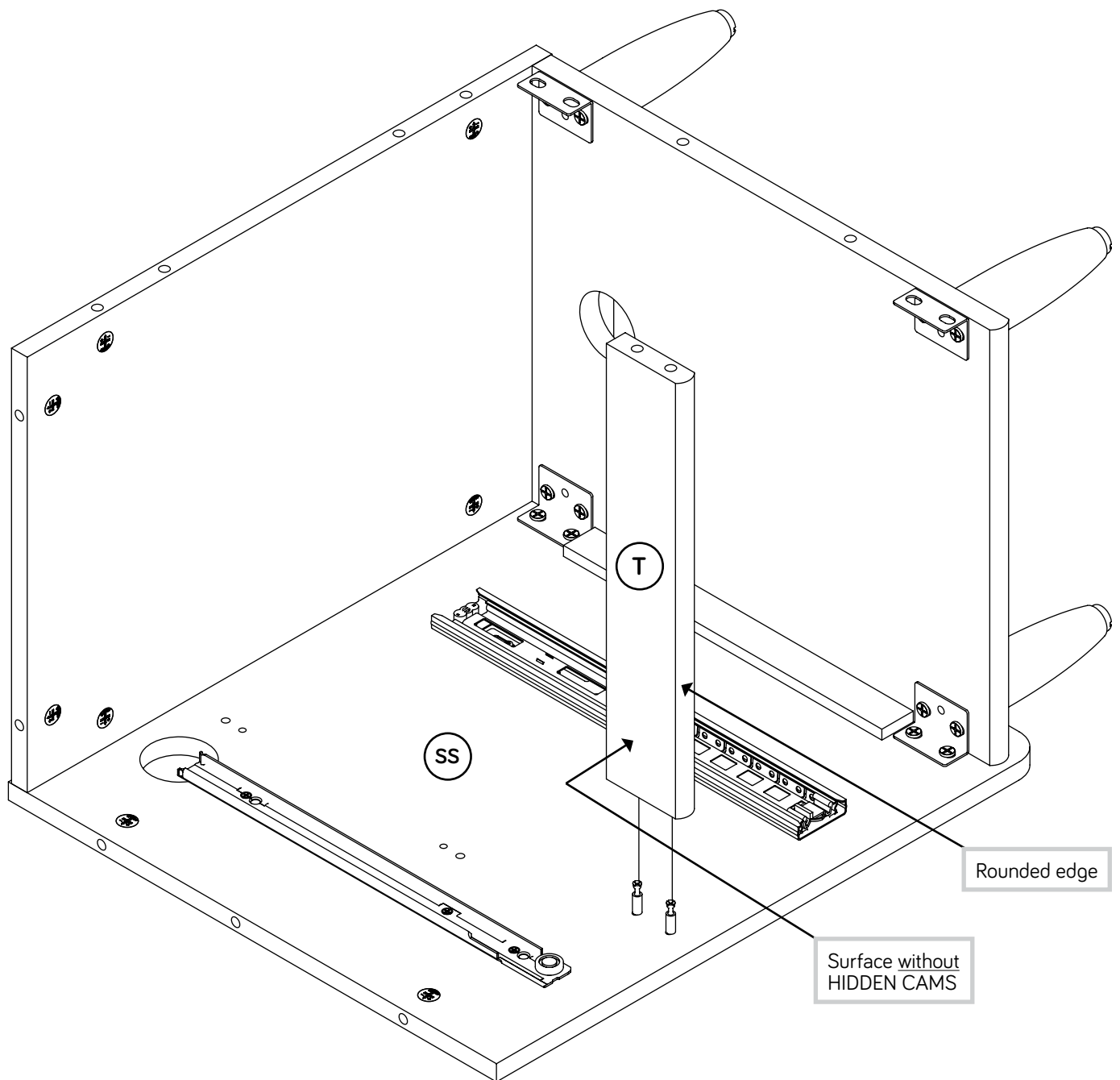
- Fasten the CABINET RAILS (6 and 7) to the RETURN UPRIGHT (SS) and RETURN RIGHT END (ZZ). Use six BLACK 1/2" FLAT HEAD SCREWS (32).



Step 16



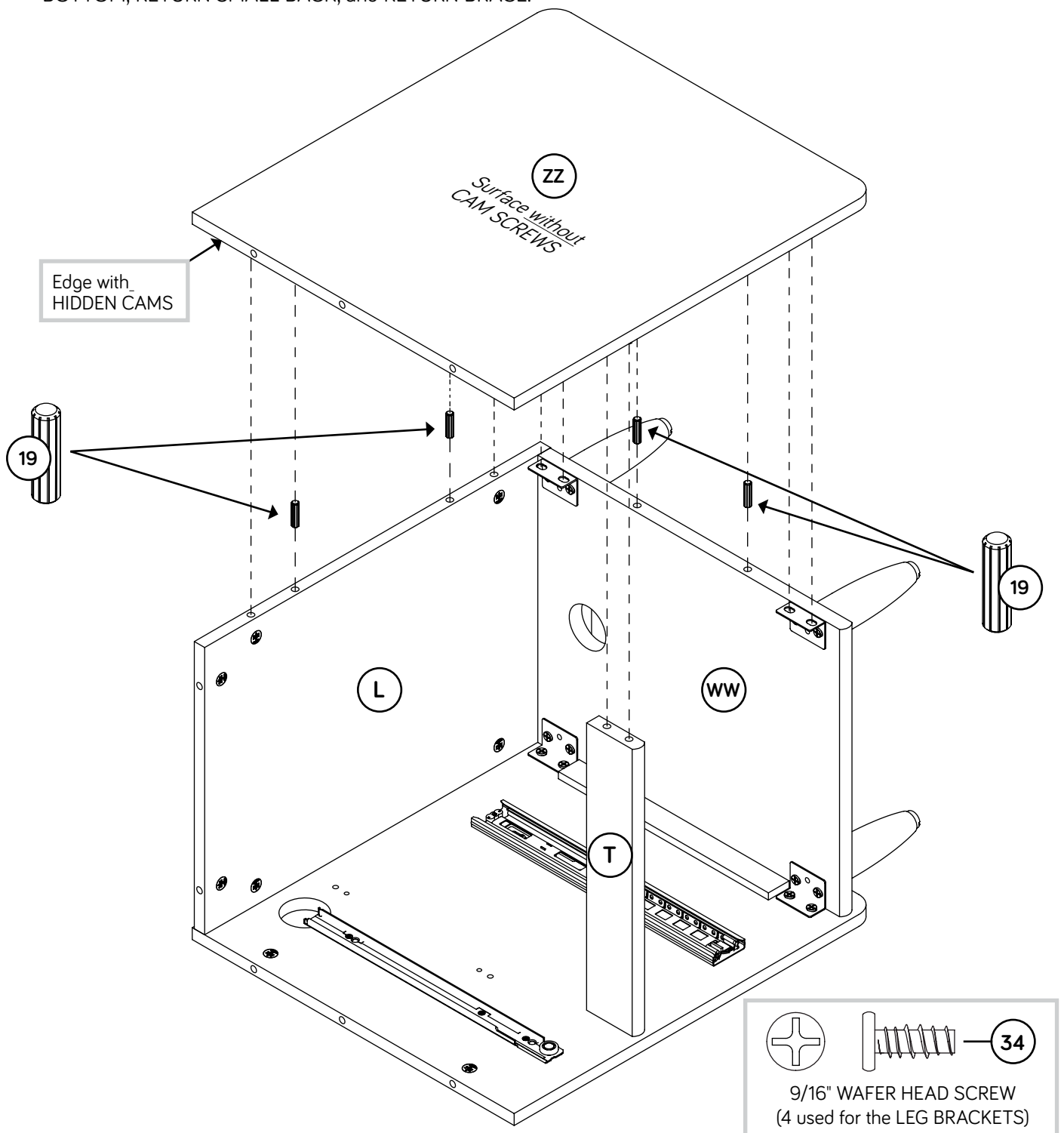
- Fasten the RETURN BRACE (T) to the RETURN UPRIGHT (SS). Tighten two HIDDEN CAMS.



Step 17

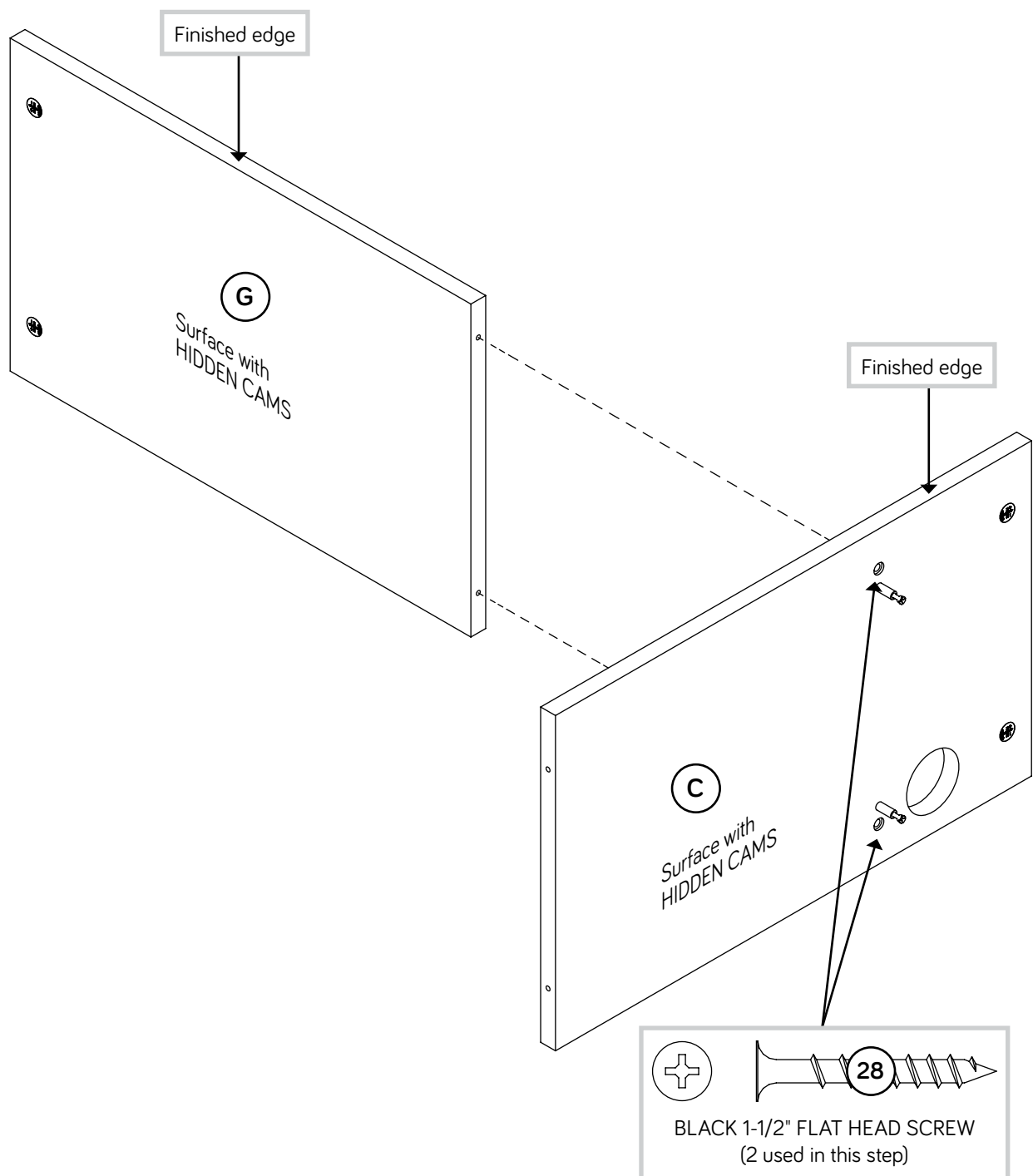


- ✚ Insert four LONG WOOD DOWELS (19) into the RETURN RIGHT END (ZZ).
- ✚ Fasten the RETURN RIGHT END (ZZ) to the RETURN SMALL BACK (L) and RETURN BRACE (T). Tighten four HIDDEN CAMS.
- ✚ Fasten the RETURN RIGHT END (ZZ) to the RETURN SMALL BOTTOM (WW). Use four 9/16" WAFER HEAD SCREWS (34) through the LEG BRACKETS on the RETURN SMALL BOTTOM and into the RETURN RIGHT END.
- ✚ **NOTE:** Be sure the LONG WOOD DOWELS in the RETURN RIGHT END insert into the holes in the RETURN SMALL BOTTOM, RETURN SMALL BACK, and RETURN BRACE.



Step 18

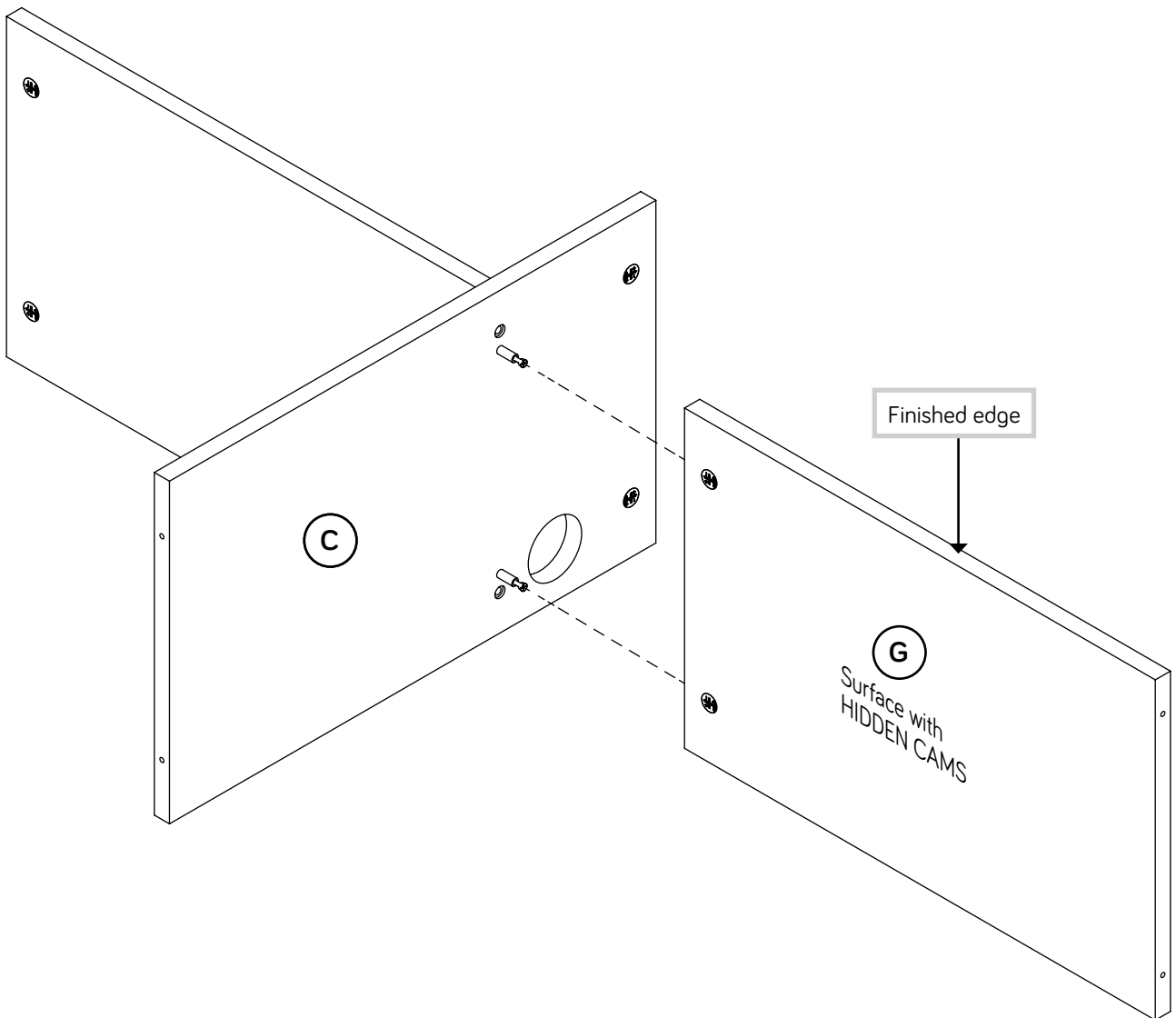
- Fasten the UPRIGHT (C) to one of the SHELVES (G). Use two BLACK 1-1/2" FLAT HEAD SCREWS (28).



Step 19

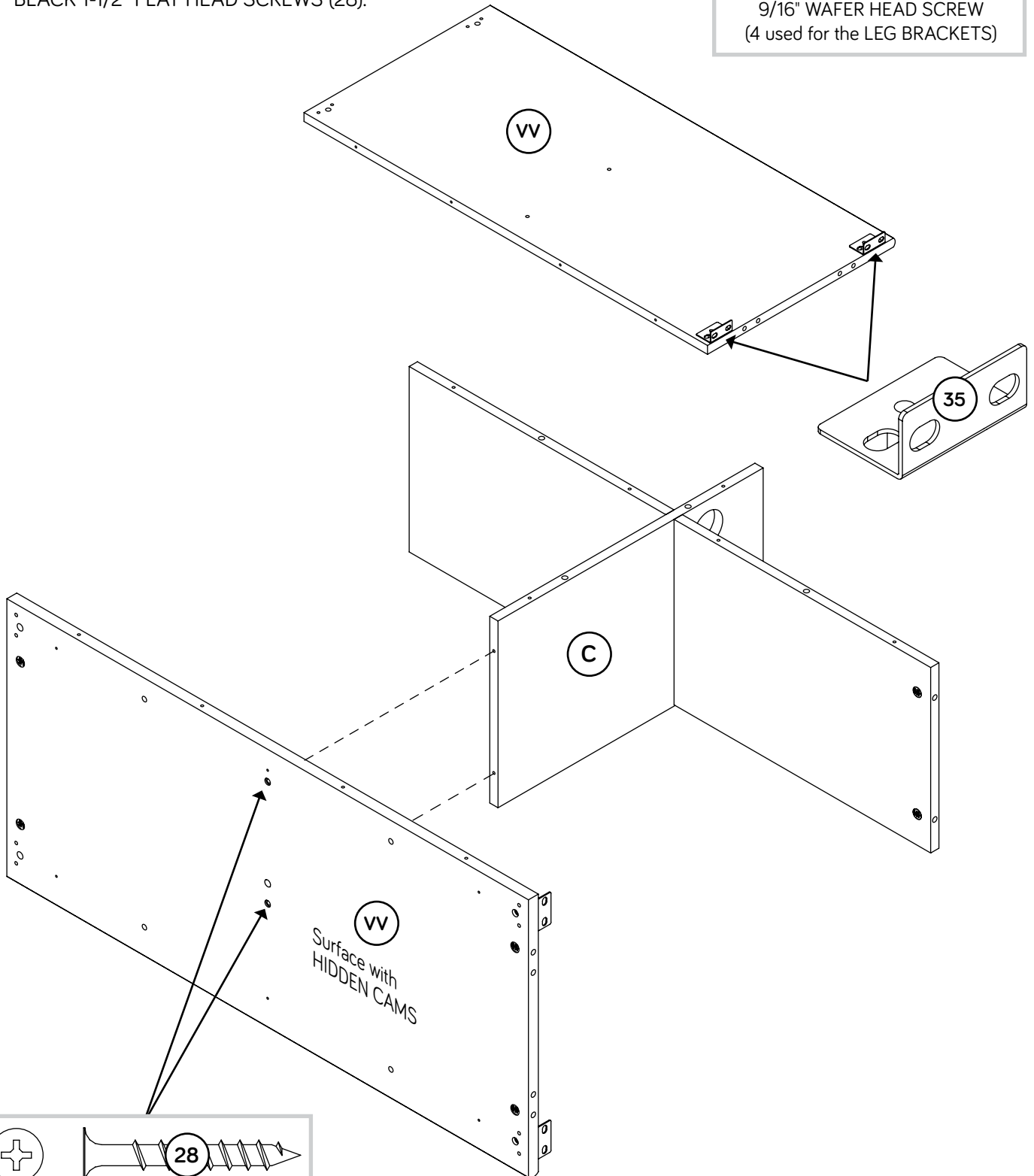
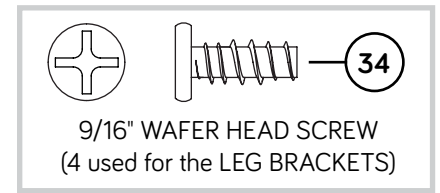


- Fasten the other SHELF (G) to the UPRIGHT (C). Tighten two HIDDEN CAMS.



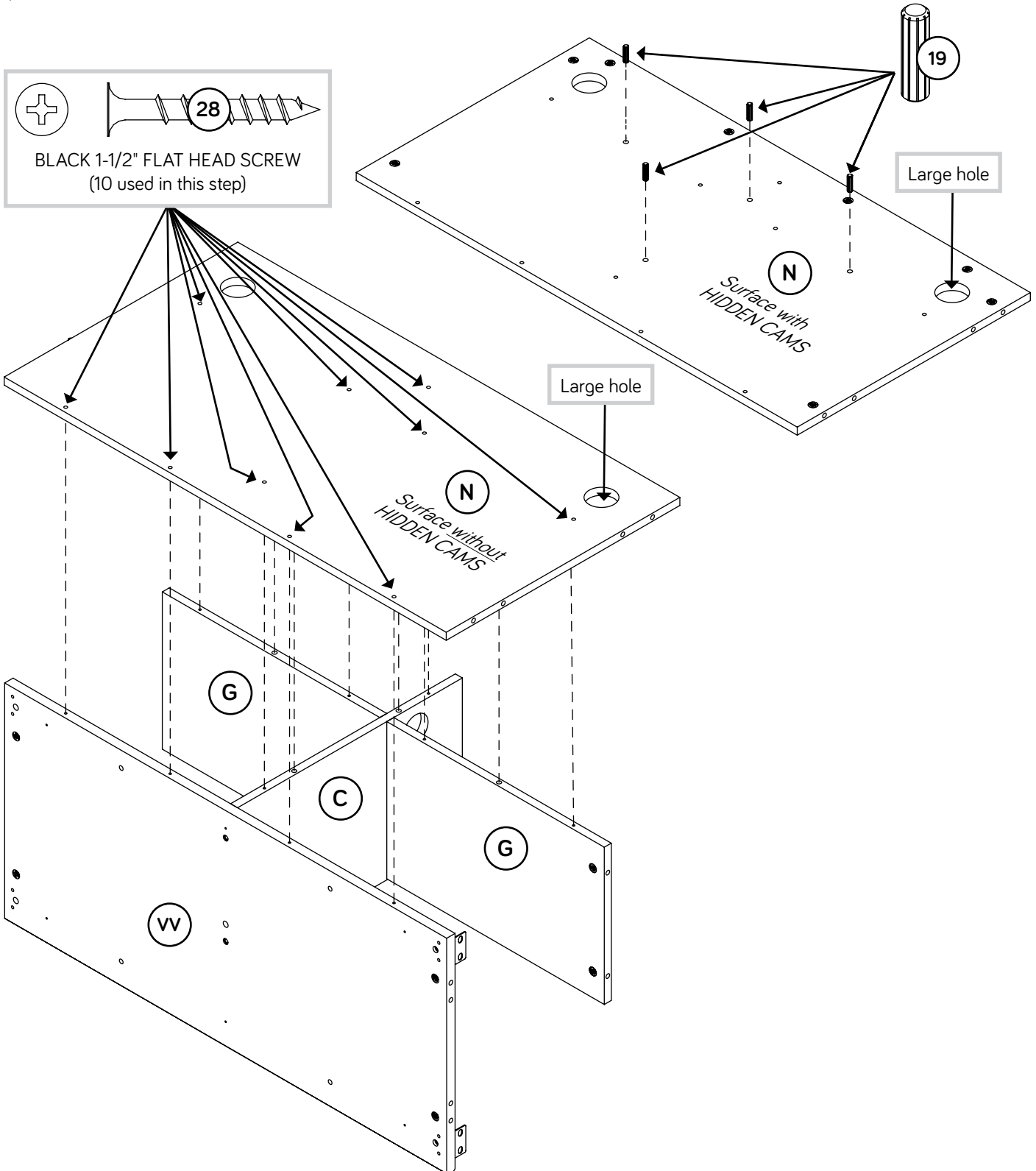
Step 20

- Fasten two LEG BRACKETS (35) to the BOTTOM (VV).
Use four 9/16" WAFER HEAD SCREWS (34).
- Fasten the BOTTOM (VV) to the UPRIGHT (C). Use two
BLACK 1-1/2" FLAT HEAD SCREWS (28).



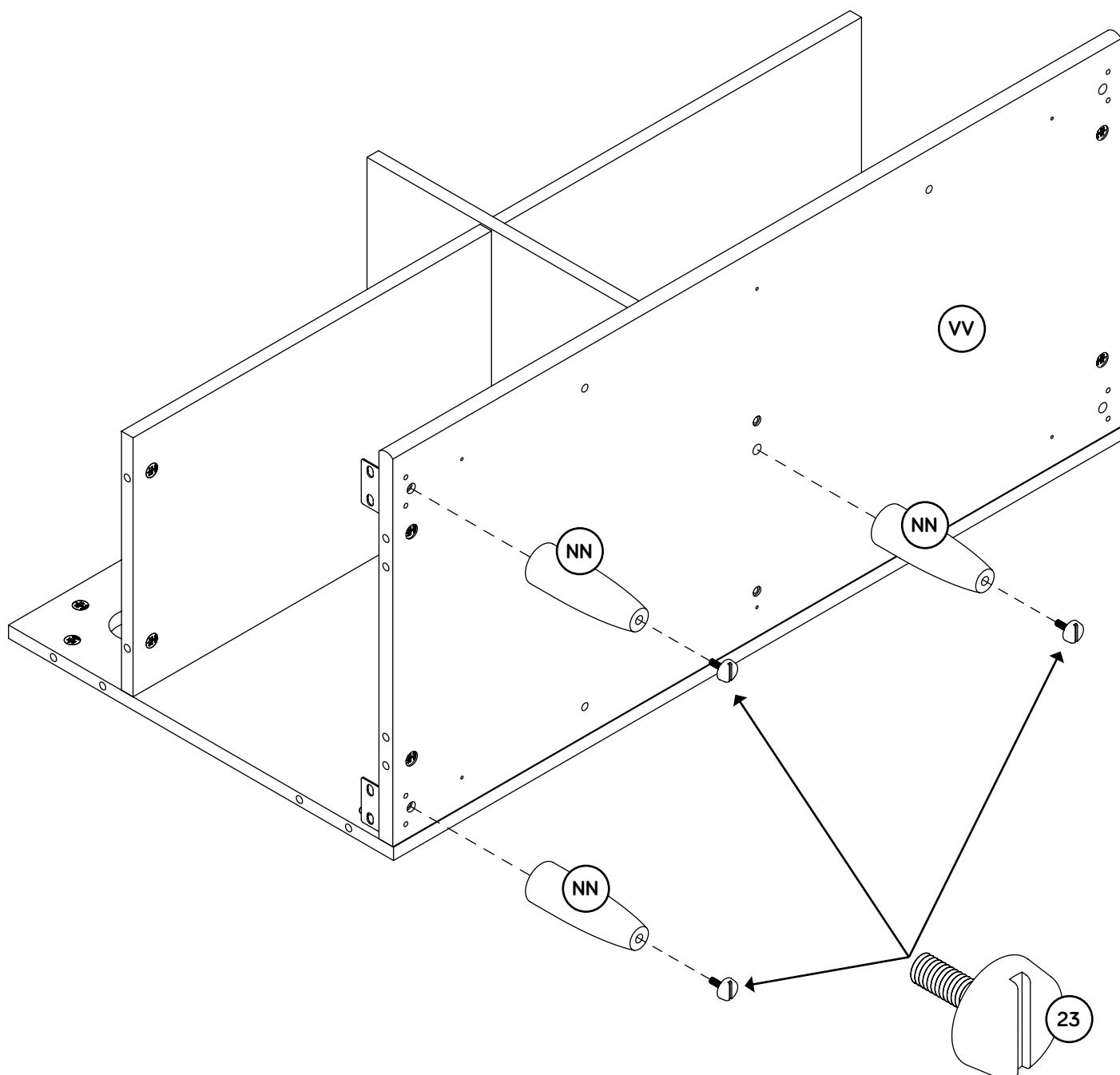
Step 21

- ✚ Carefully turn the assembly over onto its front edges.
- ✚ Insert four LONG WOOD DOWELS (19) into the exact holes shown in the RETURN BACK (N).
- ✚ Fasten the RETURN BACK (N) to the UPRIGHT (C), SHELVES (G), and BOTTOM (VV). Use ten BLACK 1-1/2" FLAT HEAD SCREWS (28).
- ✚ **NOTE:** Be sure the LONG WOOD DOWELS in the RETURN BACK insert into the holes in the UPRIGHT and SHELVES.



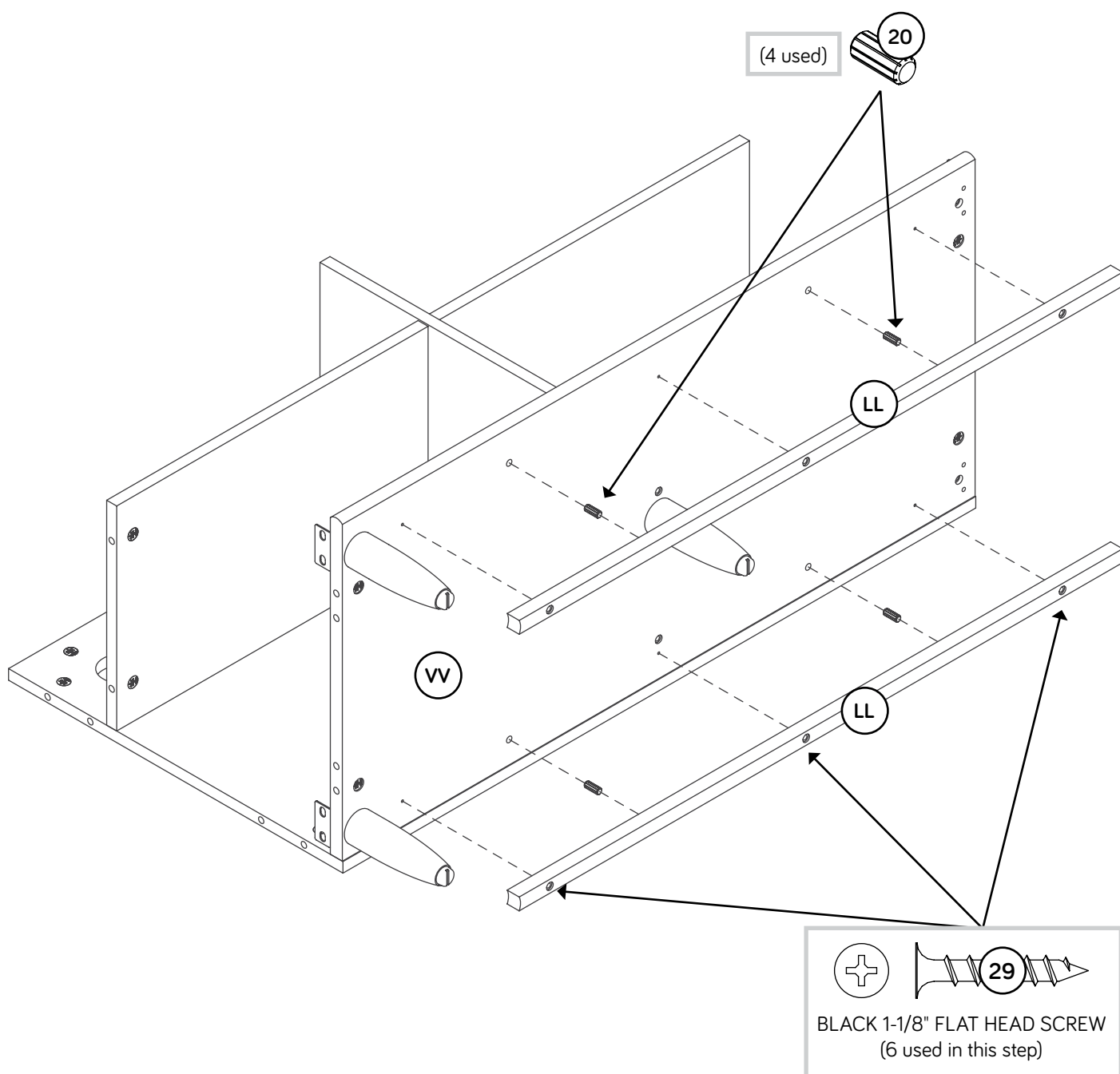
Step 22

- ✚ Carefully lay the assembly onto its back.
- ✚ Turn three FEET (NN) into the BOTTOM (VV).
- ✚ NOTE: Do not overtighten the FEET.
- ✚ Then, turn three ADJUSTABLE GLIDES (23) into the FEET (NN).
- ✚ NOTE: Turn the ADJUSTABLE GLIDES completely in. Final adjustments will be made after the unit is standing upright.



Step 23

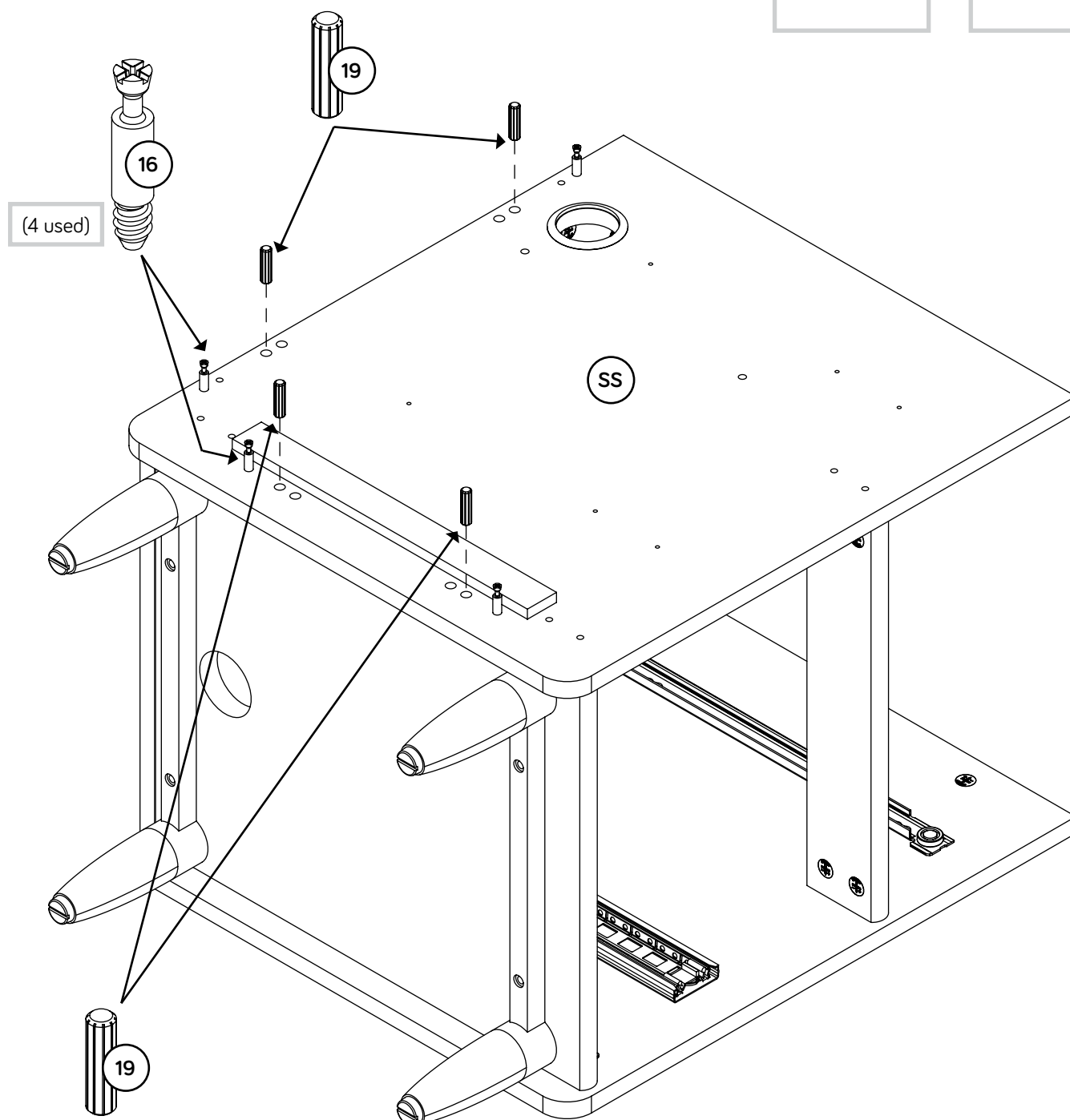
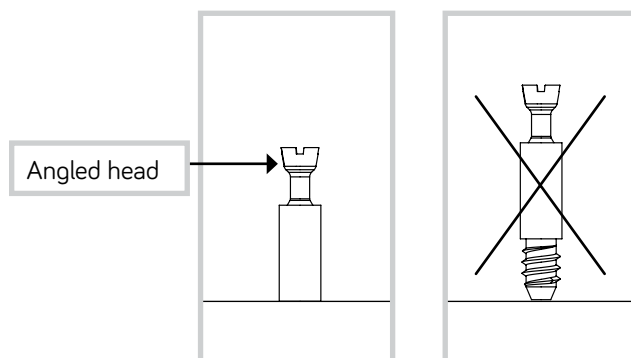
- ✚ Insert four SHORT WOOD DOWELS (20) into the BOTTOM (VV).
- ✚ Fasten two LONG BOTTOM RAILS (LL) to the BOTTOM (VV). Use six BLACK 1-1/8" FLAT HEAD SCREWS (29).
- ✚ **NOTE:** Be sure the SHORT WOOD DOWELS in the BOTTOM insert into the holes in the LONG BOTTOM RAILS.



Step 24



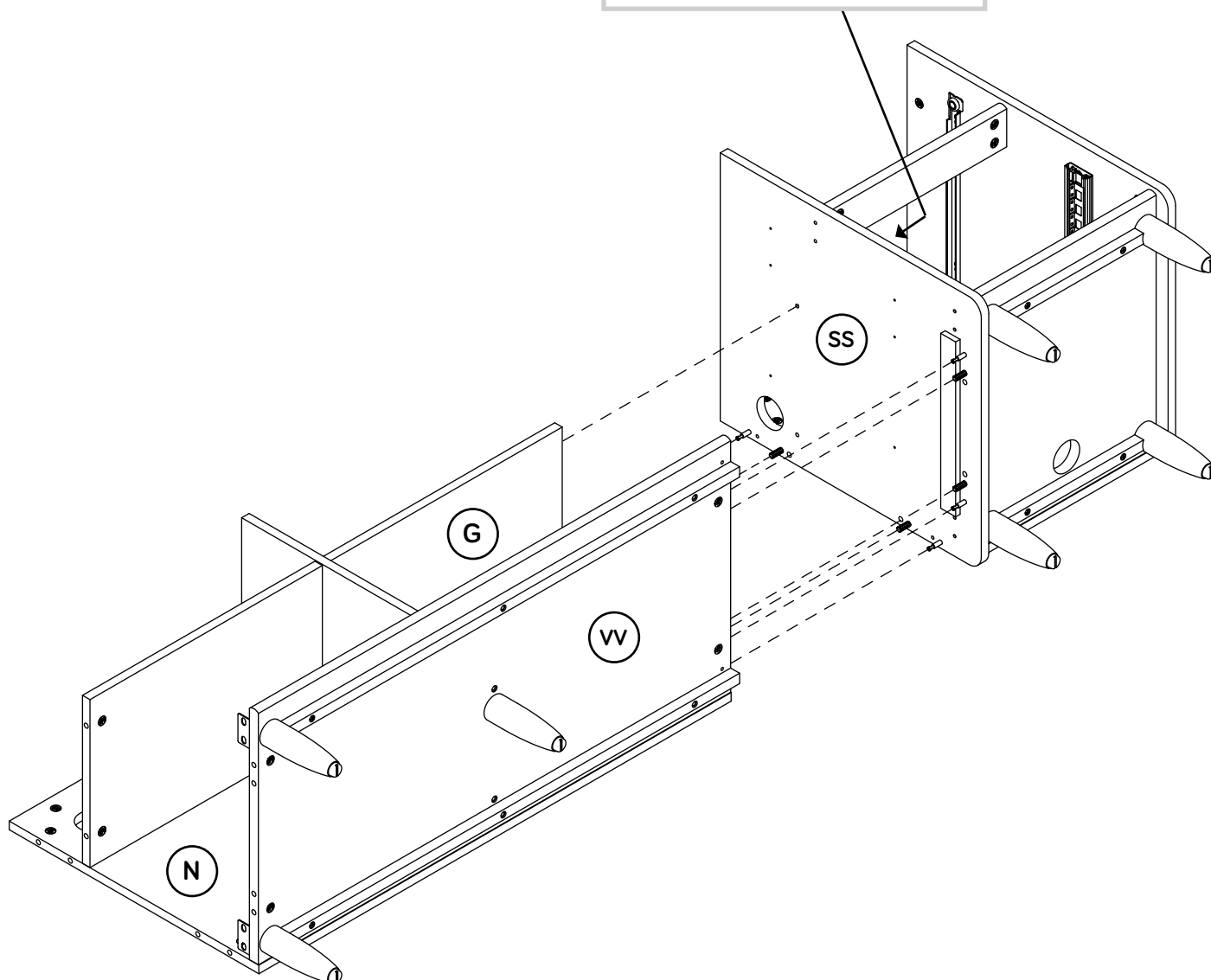
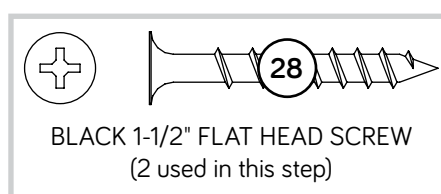
- Turn four ANGLED HEAD CAM SCREWS (16) into the exact holes shown in the RETURN UPRIGHT (SS).
- Insert four LONG WOOD DOWELS (19) into the exact holes shown in the RETURN UPRIGHT (SS).



Step 25



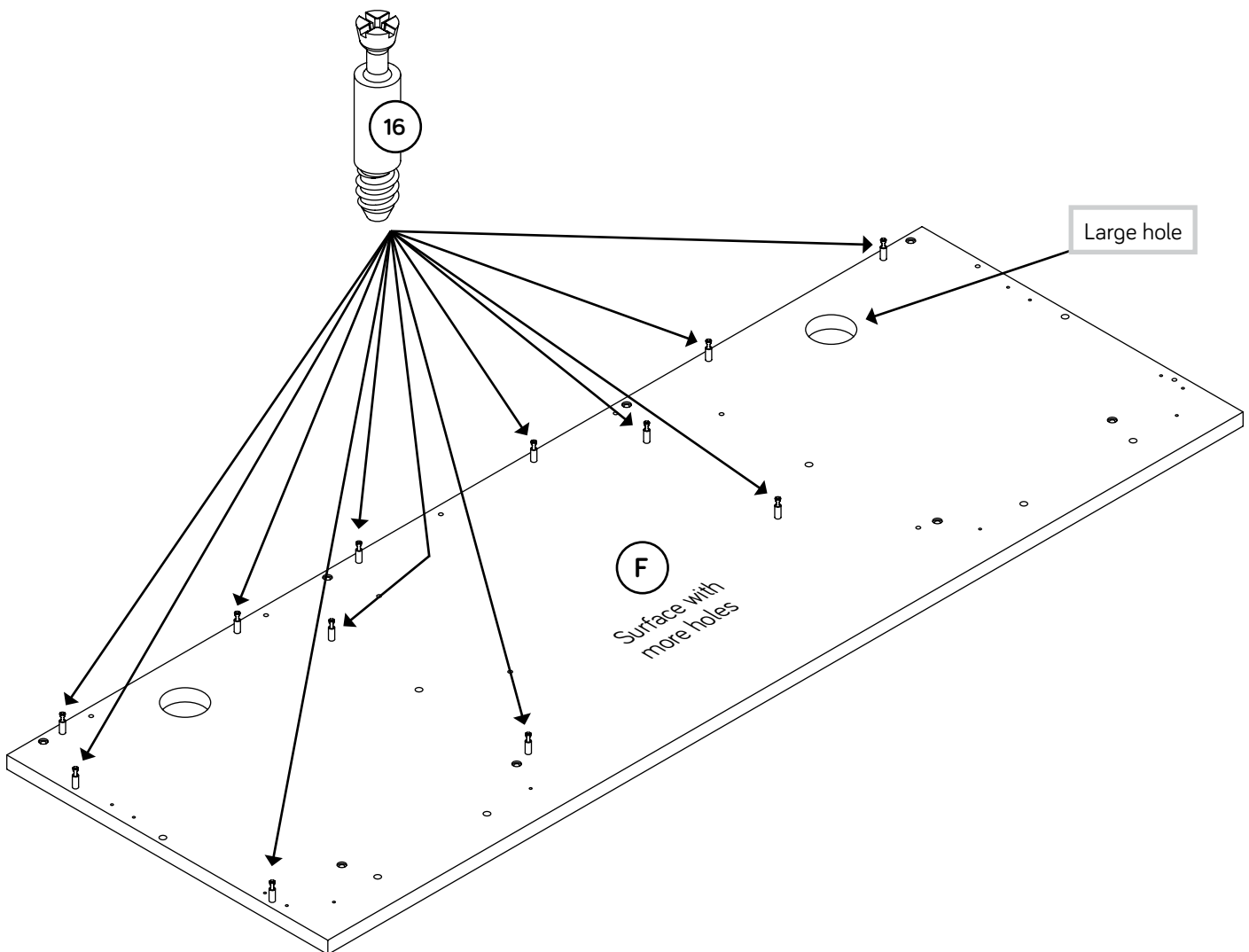
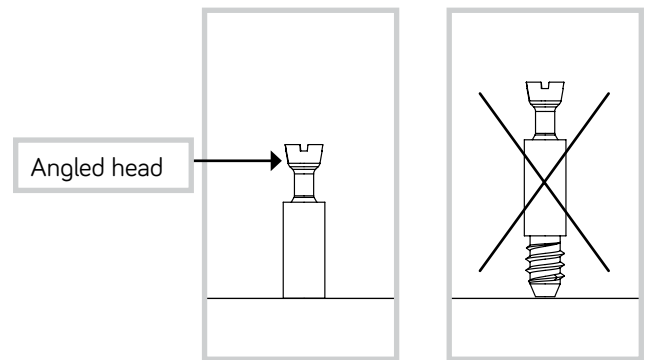
- 🔩 **NOTE:** You may need someone's help in this step.
- 🔩 Fasten the RETURN UPRIGHT (SS) to the BOTTOM (VV) and RETURN BACK (N). Tighten four HIDDEN CAMS.
- 🔩 **NOTE:** Be sure the LONG WOOD DOWELS in the RETURN UPRIGHT insert into the holes in the BOTTOM and RETURN BACK.
- 🔩 Fasten the RETURN UPRIGHT (SS) to the SHELF (G). Use two BLACK 1-1/2" FLAT HEAD SCREWS (28).



Step 26



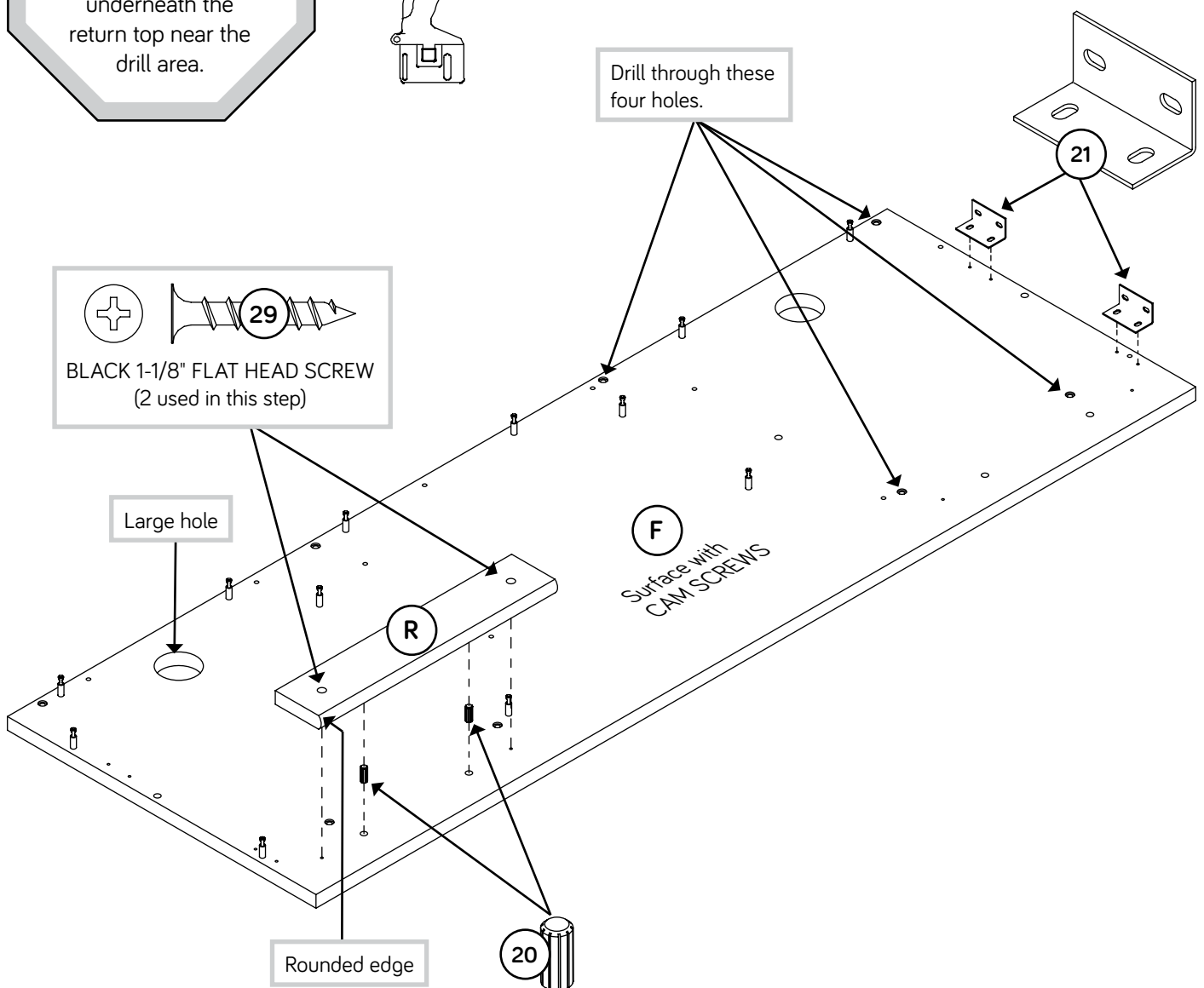
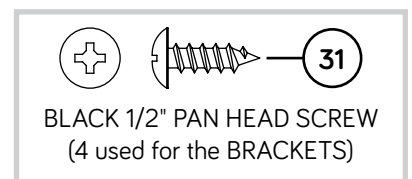
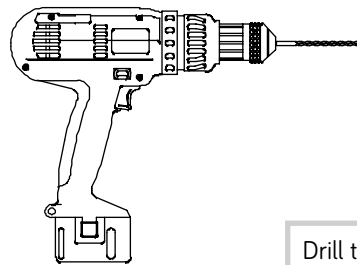
- ⚠ **NOTE:** Be sure to position the RETURN TOP (F) exactly as shown.
- ⚠ Turn twelve ANGLED HEAD CAM SCREWS (16) into the exact holes shown in the RETURN TOP (F).



Step 27

- NOTE: Be sure to position the RETURN TOP exactly as shown.
- Insert two SHORT WOOD DOWELS (20) into the exact holes shown in the RETURN TOP (F).
- Fasten a TOP RAIL (R) to the RETURN TOP (F). Use two BLACK 1-1/8" FLAT HEAD SCREWS (29).
- NOTE: Be sure the SHORT WOOD DOWELS in the RETURN TOP insert into the holes in the TOP RAIL.
- Fasten two BRACKETS (21) to the RETURN TOP (F). Use four BLACK 1/2" PAN HEAD SCREWS (31).
- With a drill and 3/16" drill bit, finish drilling through the exact four holes shown in the RETURN TOP (F).

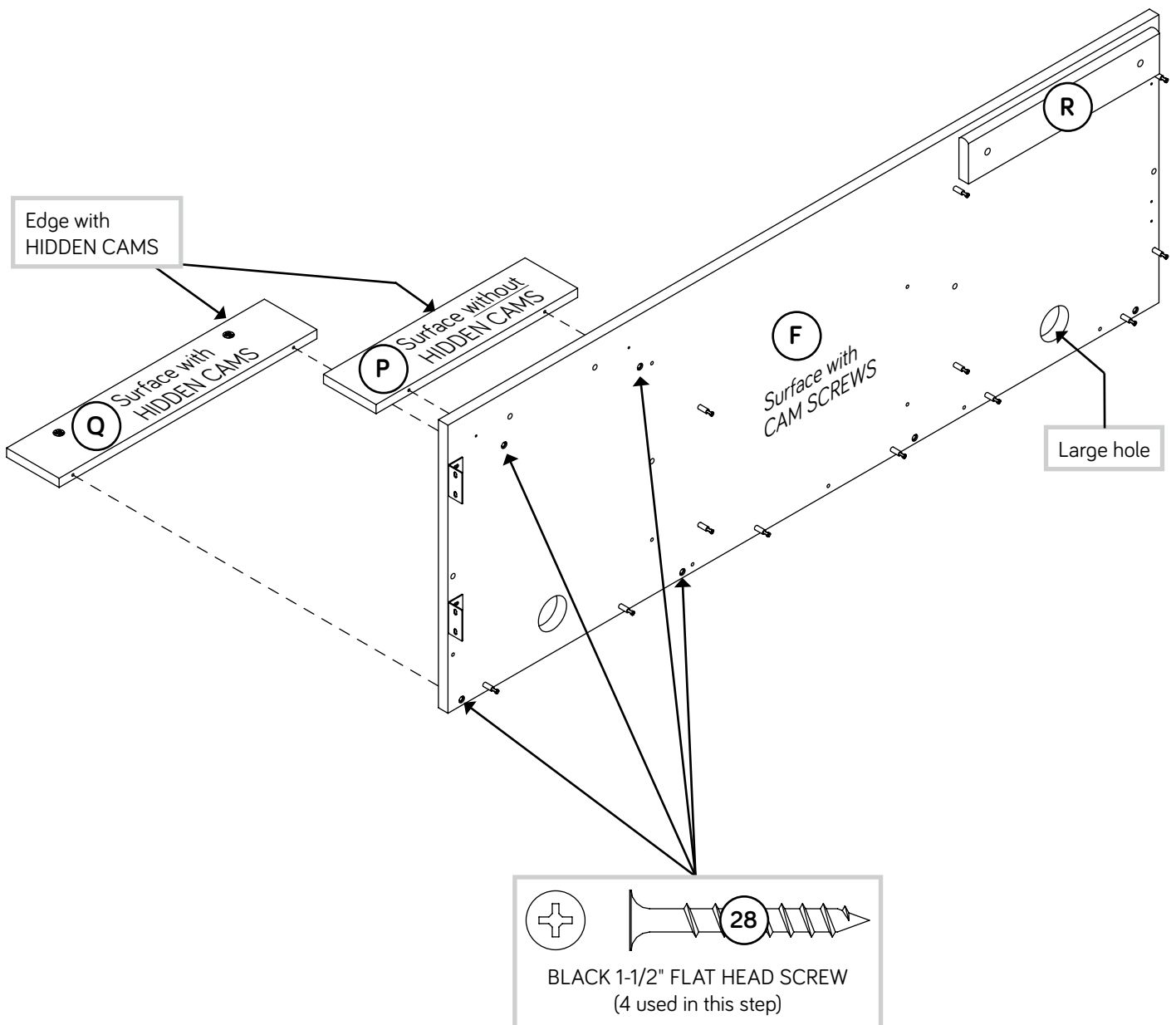
CAUTION
Make sure you have packing foam or throw away material underneath the return top near the drill area.



Step 28

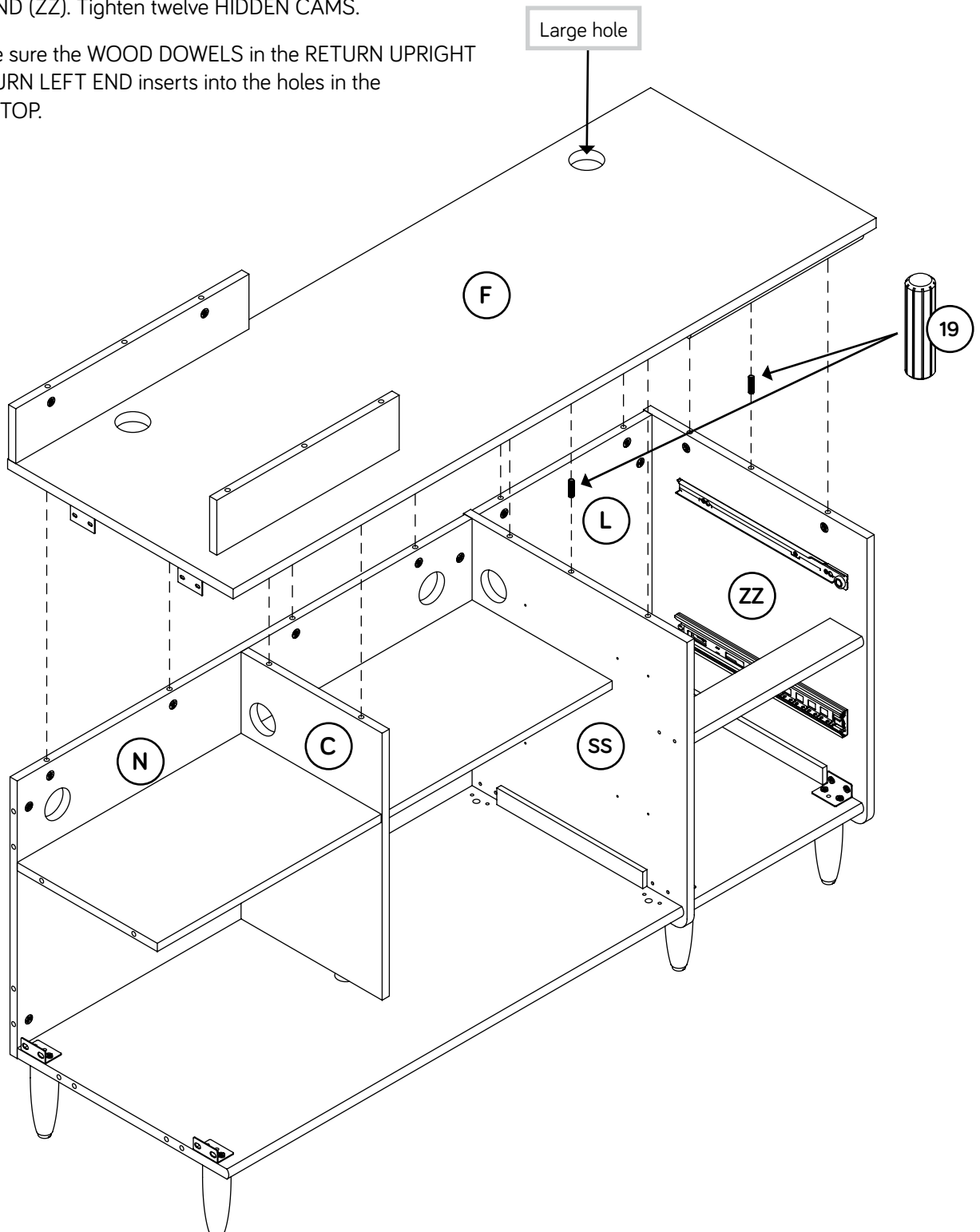
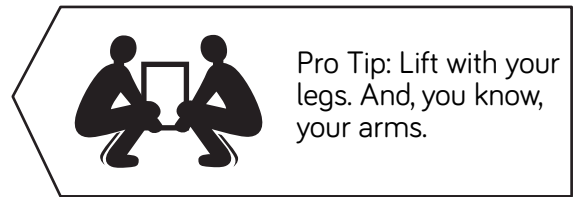


- Fasten the UPRIGHTS (P and Q) to the RETURN TOP (F).
Use four BLACK 1-1/2" FLAT HEAD SCREWS (28).



Step 29

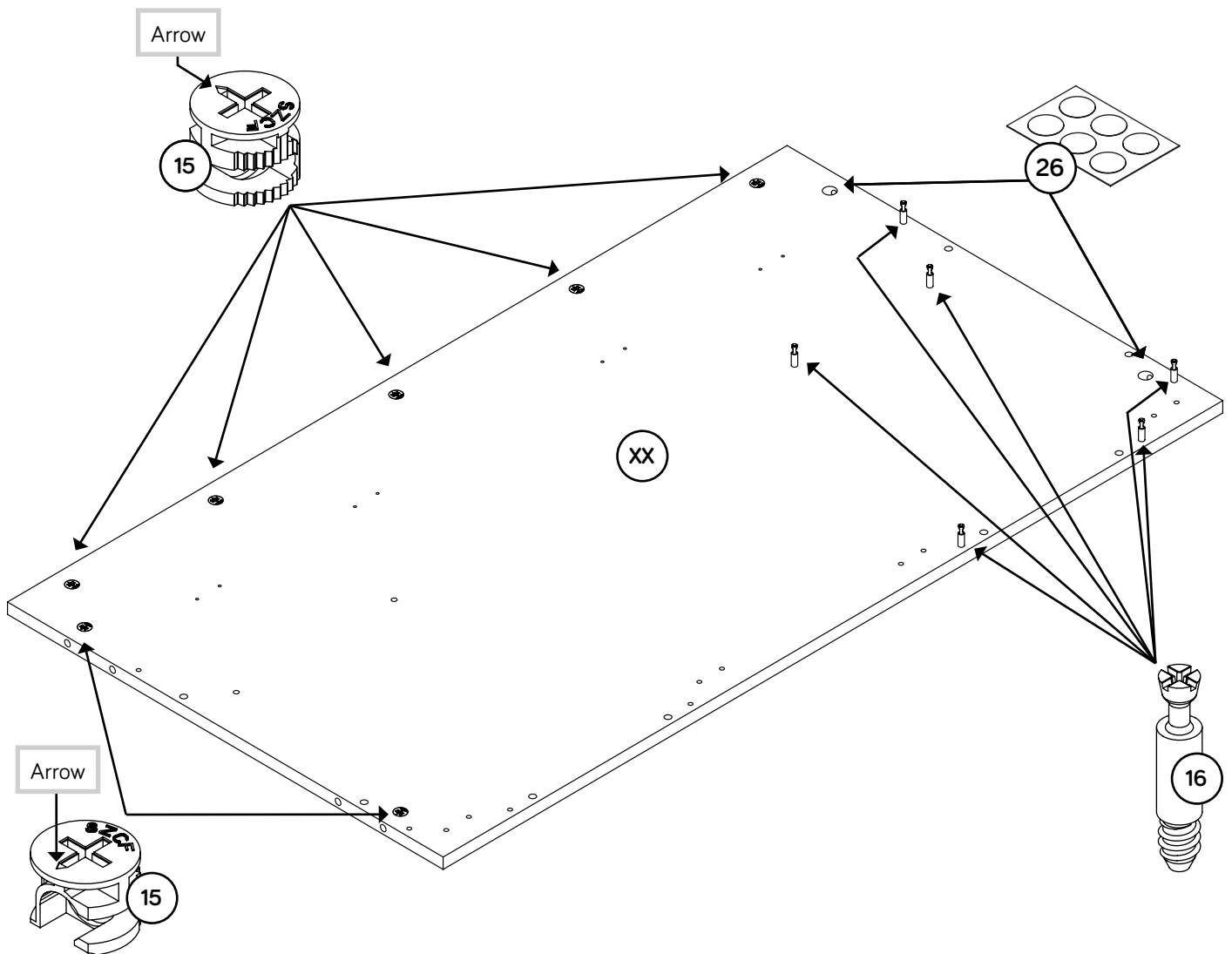
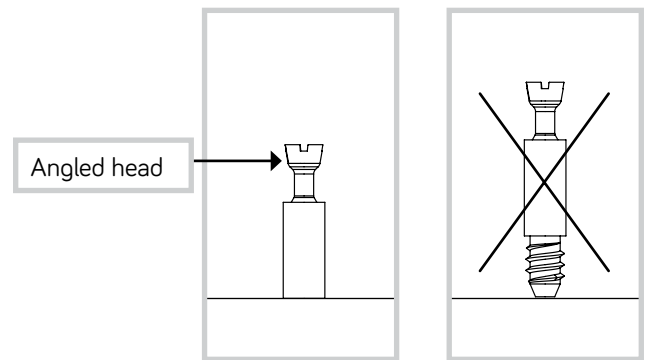
- ✚ With someone's help, carefully stand the return assembly upright and place it near its final location.
- ✚ Insert two LONG WOOD DOWELS (19) into the exact holes shown in the RETURN UPRIGHT (SS) and RETURN RIGHT END (ZZ).
- ✚ Fasten the RETURN TOP (F) to the UPRIGHTS (C and SS), RETURN SMALL BACK (L), RETURN BACK (N), and RETURN RIGHT END (ZZ). Tighten twelve HIDDEN CAMS.
- ✚ **NOTE:** Be sure the WOOD DOWELS in the RETURN UPRIGHT and RETURN LEFT END inserts into the holes in the RETURN TOP.



Step 30



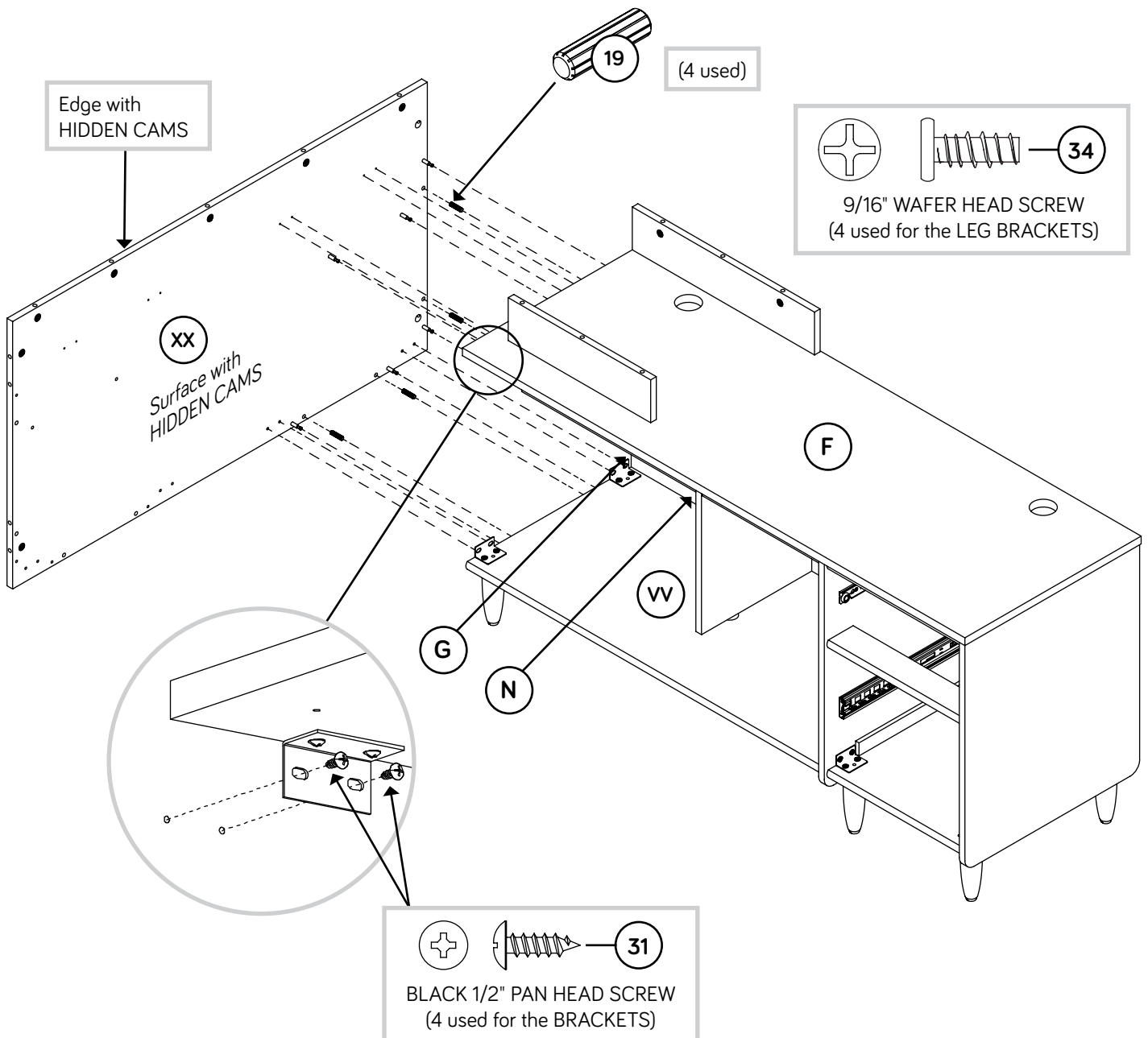
- 🔧 **NOTE:** Be sure to position the BACK (XX) exactly as shown.
- 🔧 Turn six ANGLED HEAD CAM SCREWS (16) into the exact holes shown in the BACK (XX).
- 🔧 Push seven HIDDEN CAMS (15) into the exact holes shown in the BACK (XX).
- 🔧 Peel two APPLIQUES from the APPLIQUE CARD (26) and stick them over the two large holes in the BACK (XX).



Step 31



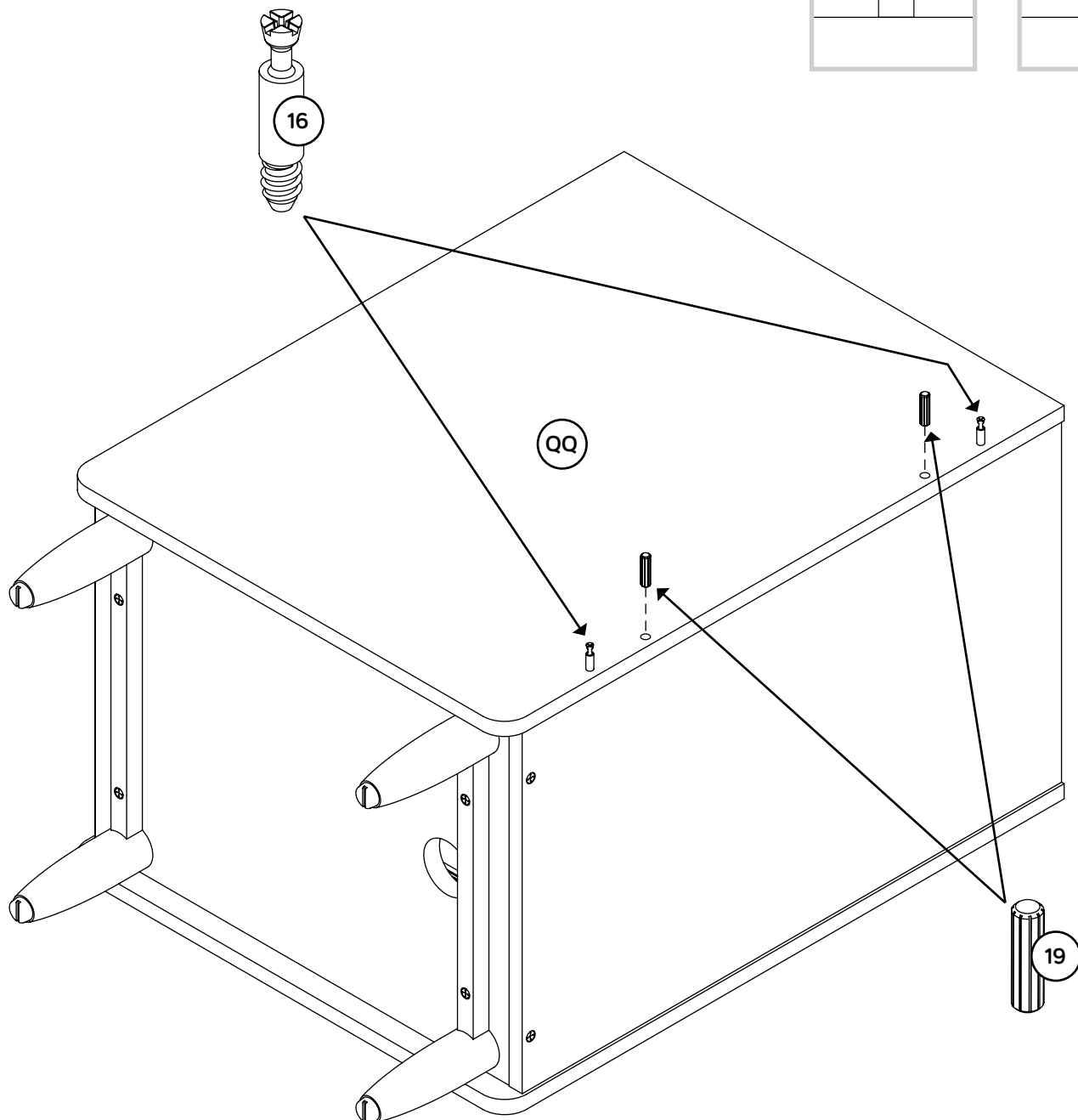
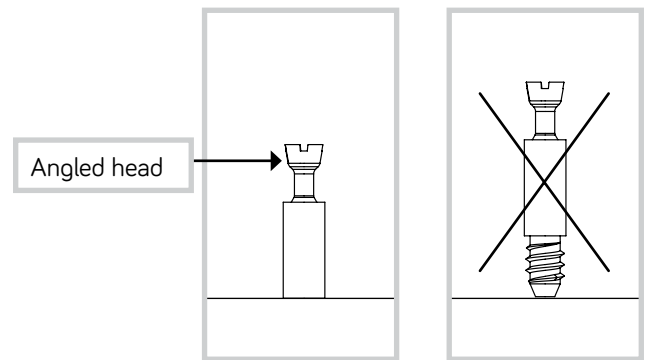
- ⚡ **NOTE:** You may need someone's help in this step.
- ⚡ Insert four LONG WOOD DOWELS (19) into the exact holes shown in the BACK (XX).
- ⚡ Fasten the BACK (XX) to the SHELF (G), BOTTOM (VV) and RETURN BACK (N). Tighten six HIDDEN CAMS and use four 9/16" WAFER HEAD SCREWS (34) through the LEG BRACKETS on the BOTTOM and into the BACK.
- ⚡ **NOTE:** Be sure the WOOD DOWELS in the BACK inserts into the holes in the BOTTOM and RETURN BACK
- ⚡ Fasten the RETURN TOP (F) to the BACK (XX). Use four BLACK 1/2" PAN HEAD SCREWS (31) through the BRACKETS on the RETURN TOP and into the BACK.



Step 32



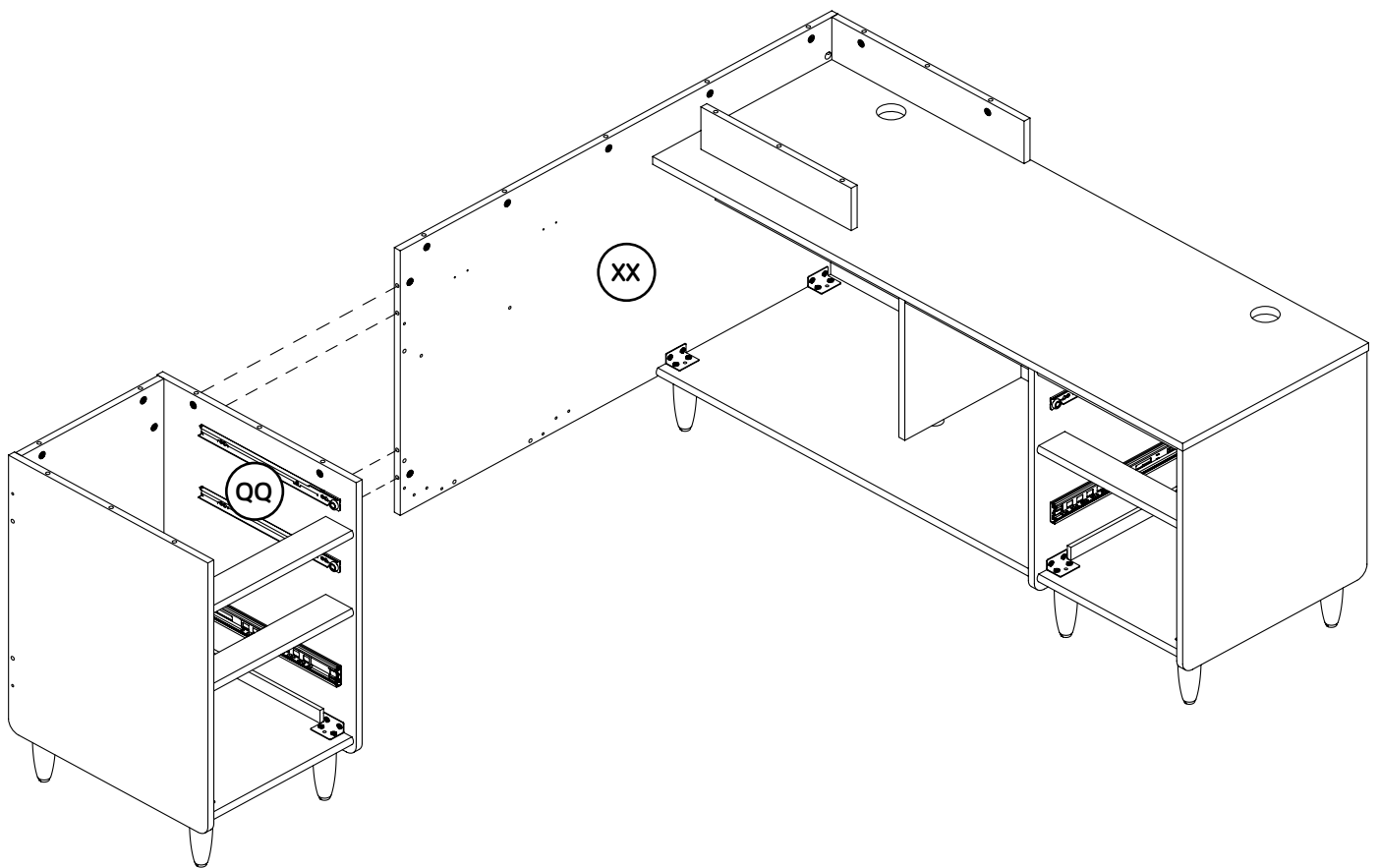
- Turn two ANGLED HEAD CAM SCREWS (16) into the exact holes shown in the RIGHT END (QQ).
- Insert two LONG WOOD DOWELS (19) into the exact holes shown in the RIGHT END (QQ).



Step 33



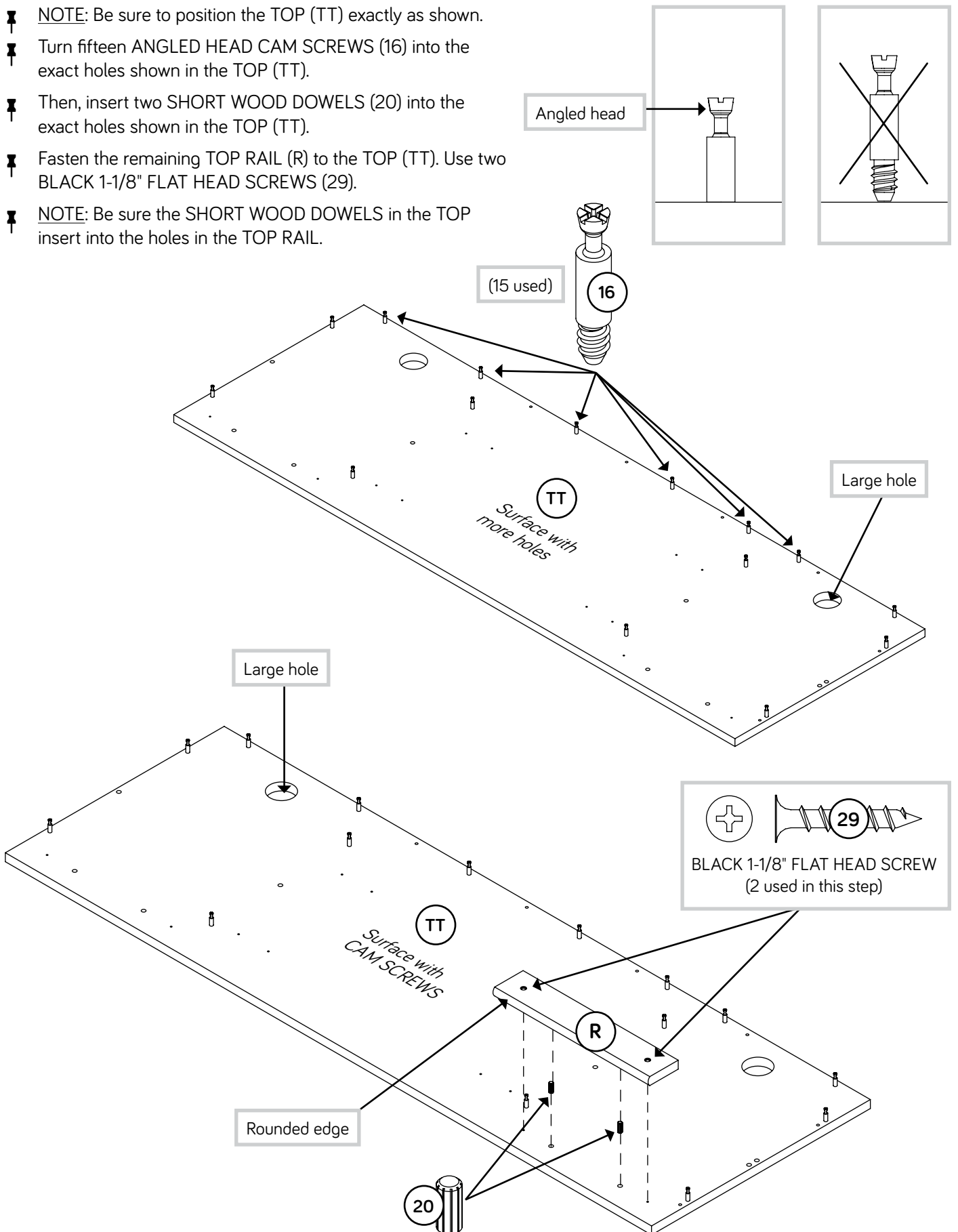
- 🔩 **NOTE:** You may need someone's help in this step.
- 🔩 Fasten the **RIGHT END (QQ)** to the **BACK (XX)**. Tighten two **HIDDEN CAMS**.
- 🔩 **NOTE:** Be sure the **WOOD DOWELS** in the **RIGHT END** insert into the holes in the **BACK**



Step 34



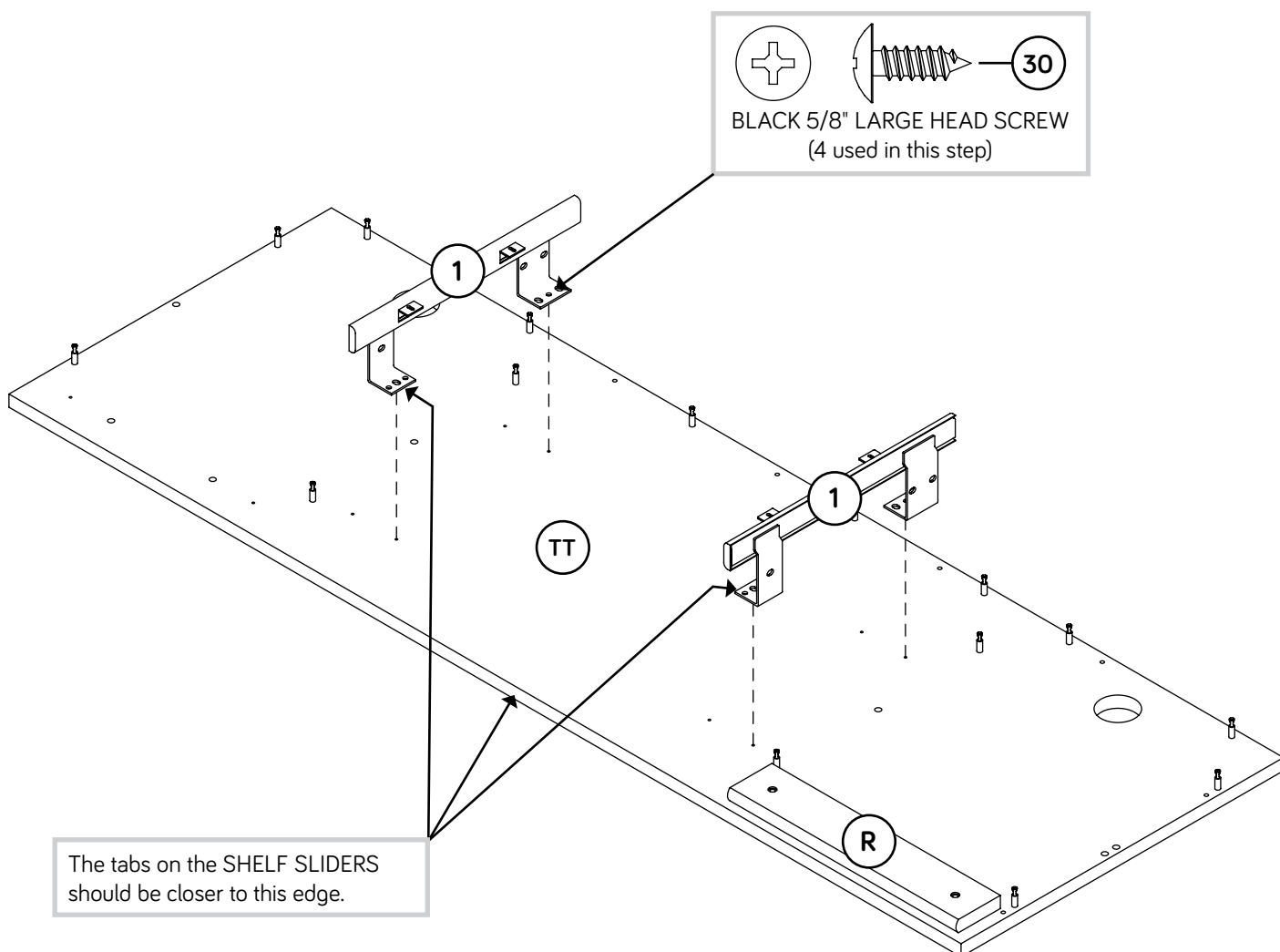
- NOTE: Be sure to position the TOP (TT) exactly as shown.
- Turn fifteen ANGLED HEAD CAM SCREWS (16) into the exact holes shown in the TOP (TT).
- Then, insert two SHORT WOOD DOWELS (20) into the exact holes shown in the TOP (TT).
- Fasten the remaining TOP RAIL (R) to the TOP (TT). Use two BLACK 1-1/8" FLAT HEAD SCREWS (29).
- NOTE: Be sure the SHORT WOOD DOWELS in the TOP insert into the holes in the TOP RAIL.



Step 35

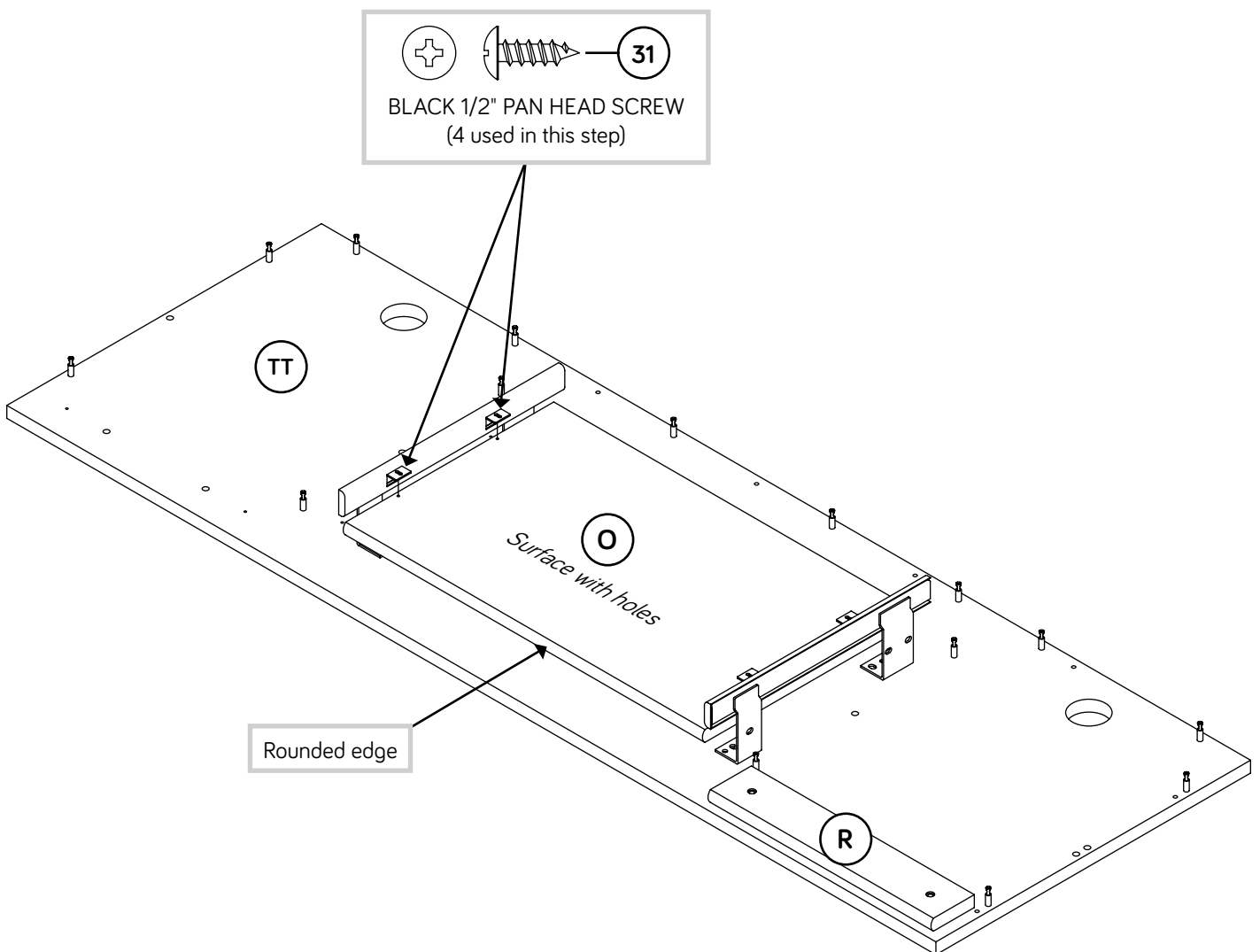
Fasten the SHELF SLIDER SET (1) to the TOP (TT). Use four BLACK 5/8" LARGE HEAD SCREWS (30).

NOTE: Be sure to use the center hole in the SHELF SLIDERS.



Step 36

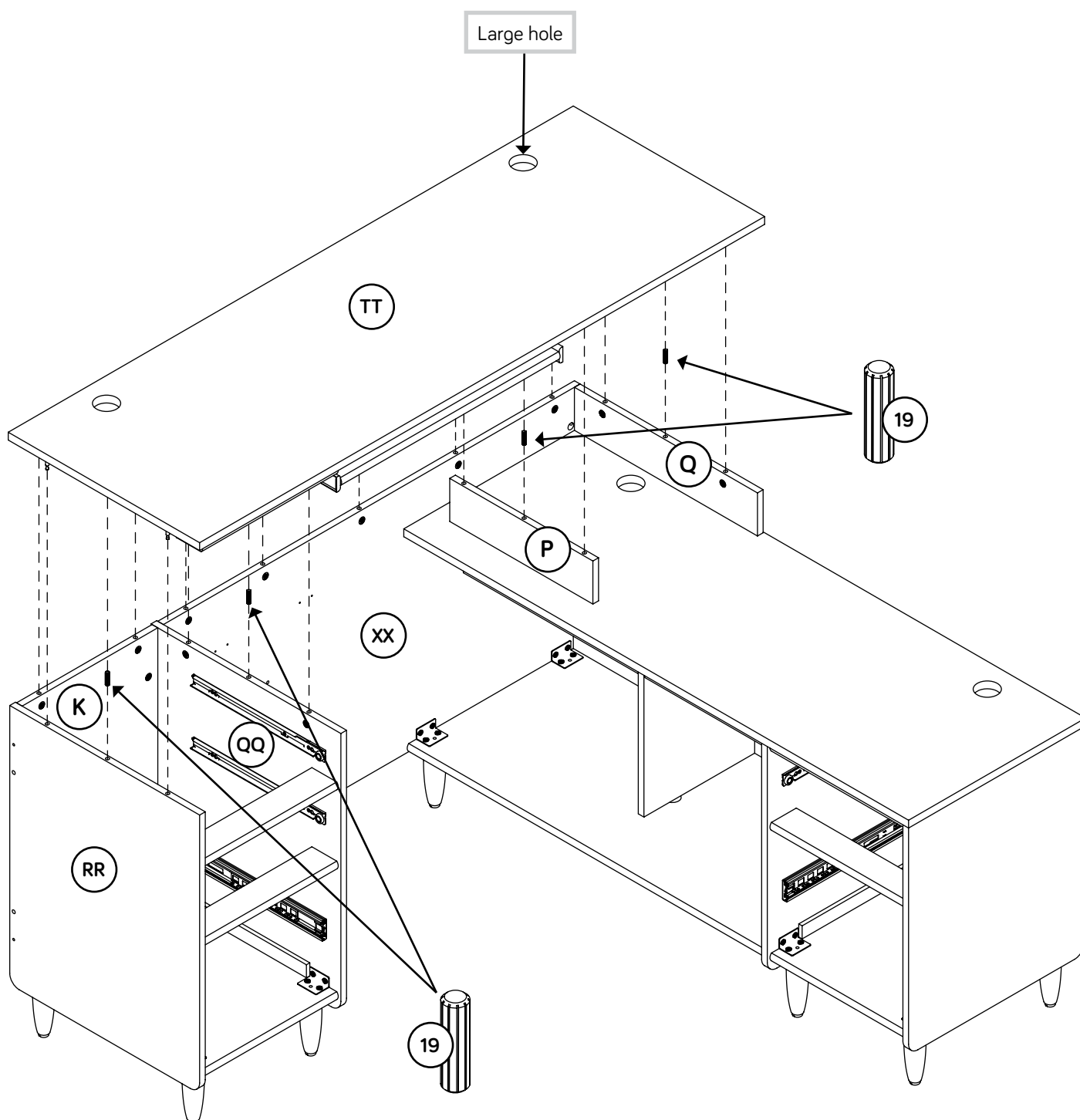
- Fasten the KEYBOARD SHELF (O) to the SHELF SLIDERS on the TOP (TT). Use four BLACK 9/16" PAN HEAD SCREWS (31).



Step 37



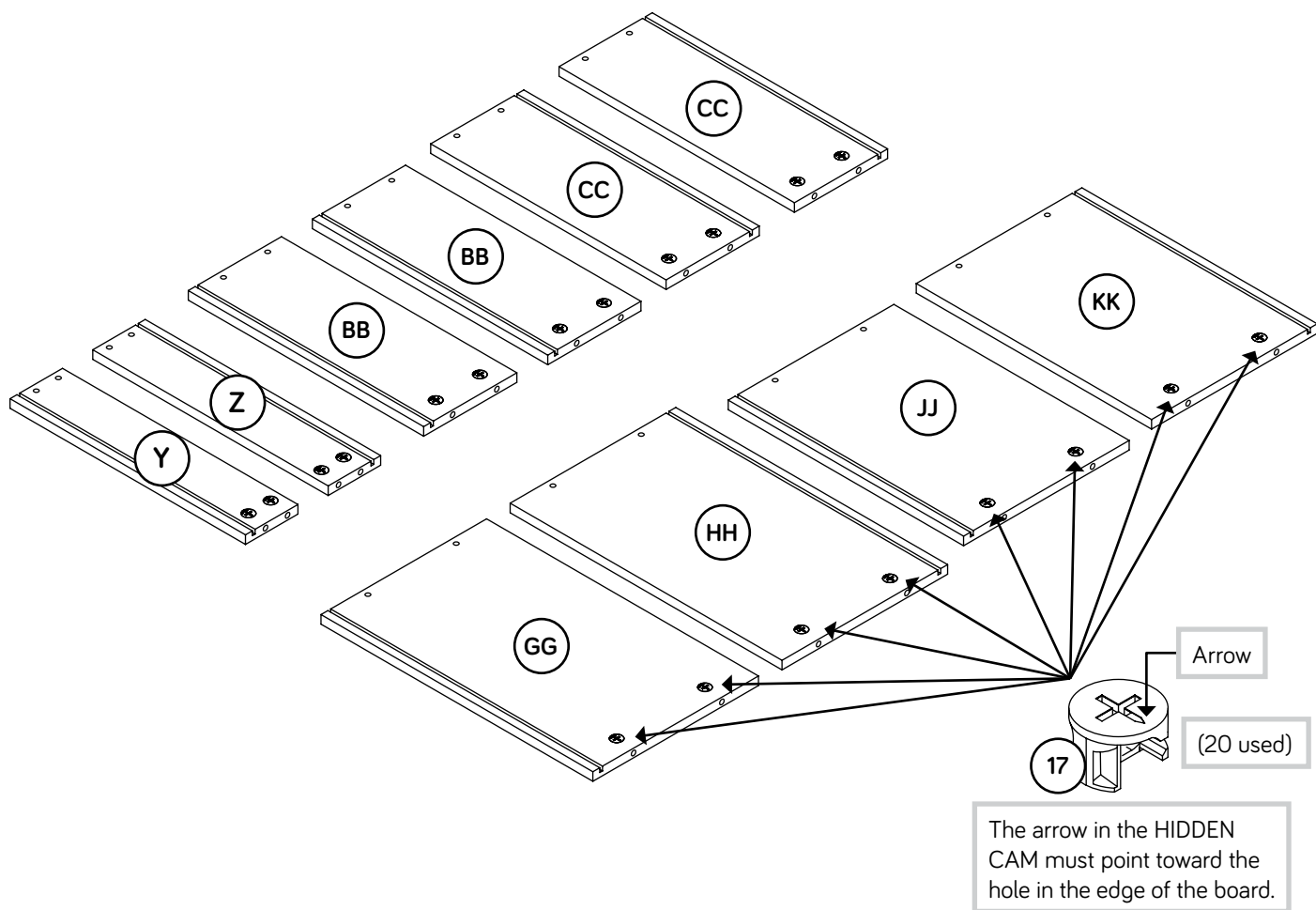
- ⚠ **NOTE:** You may need someone's help in this step.
- ⚠ Insert four LONG WOOD DOWELS (19) into the exact holes shown in the ENDS (QQ and RR) and UPRIGHTS (P and Q).
- ⚠ Fasten the TOP (TT) to the ENDS (QQ and RR), BACKS (K and XX), and UPRIGHTS (P and Q). Tighten fifteen HIDDEN CAMS.
- ⚠ **NOTE:** Be sure the WOOD DOWELS in the ENDS and UPRIGHTS inserts into the holes in the TOP.



Step 38



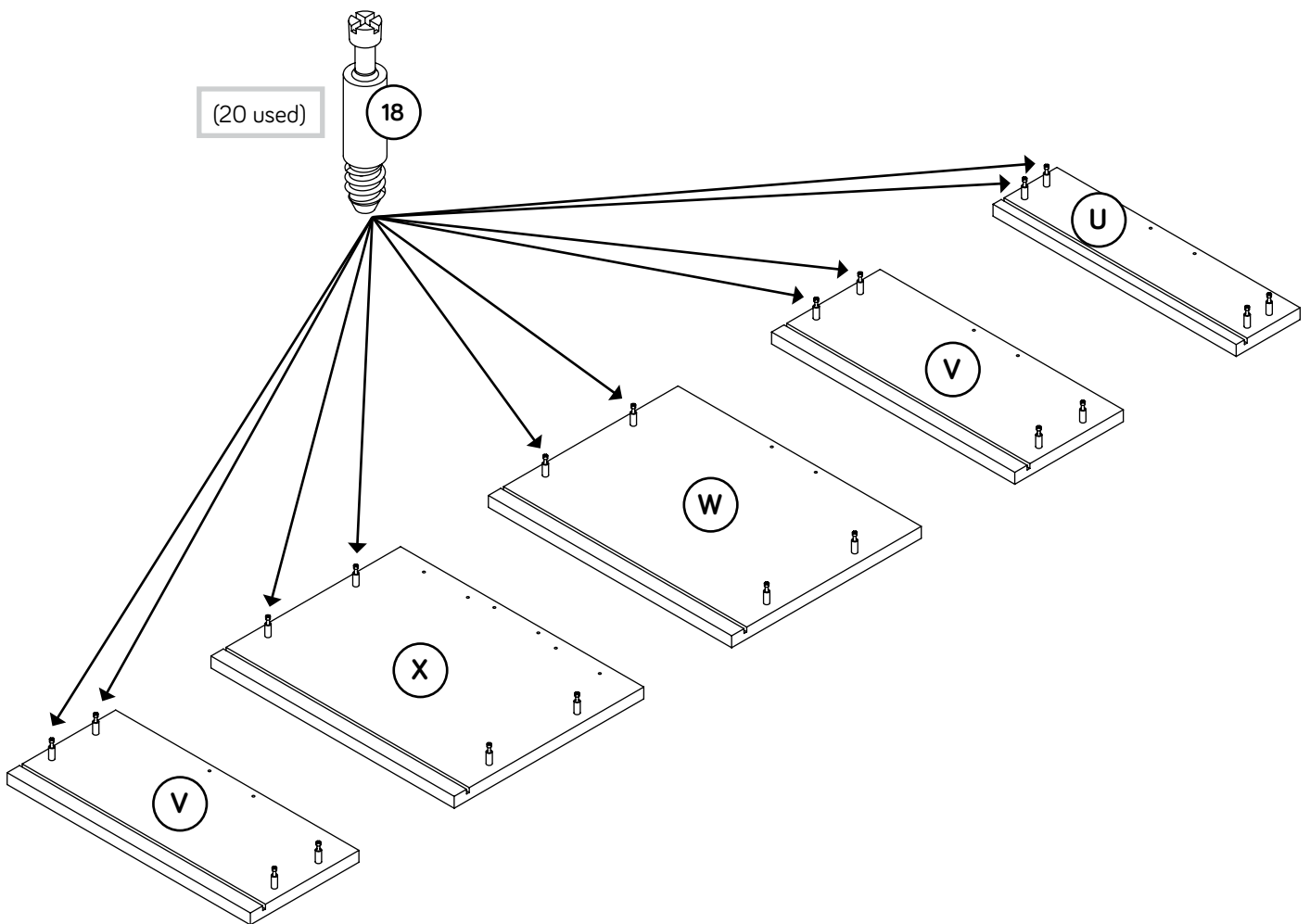
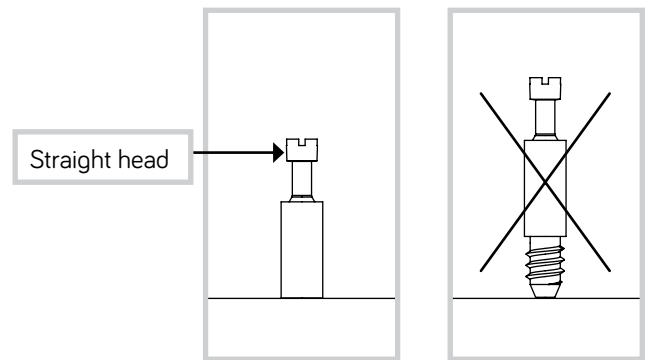
- Insert twenty SMALL HIDDEN CAMS (17) into the DRAWER SIDES (Y, Z, BB, CC, GG, HH, JJ, and KK).



Step 39



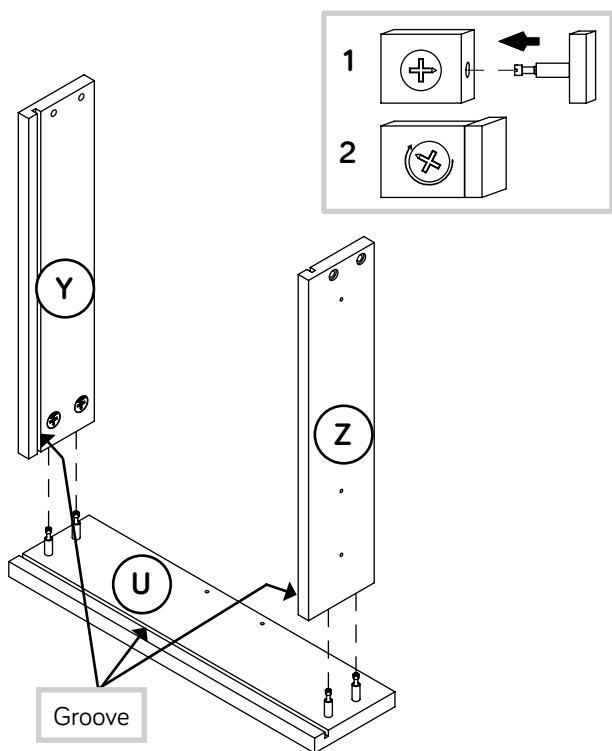
Turn twenty STRAIGHT HEAD CAM SCREWS (18) into the DRAWER FRONTS (U, V, W, and X).



Step 40

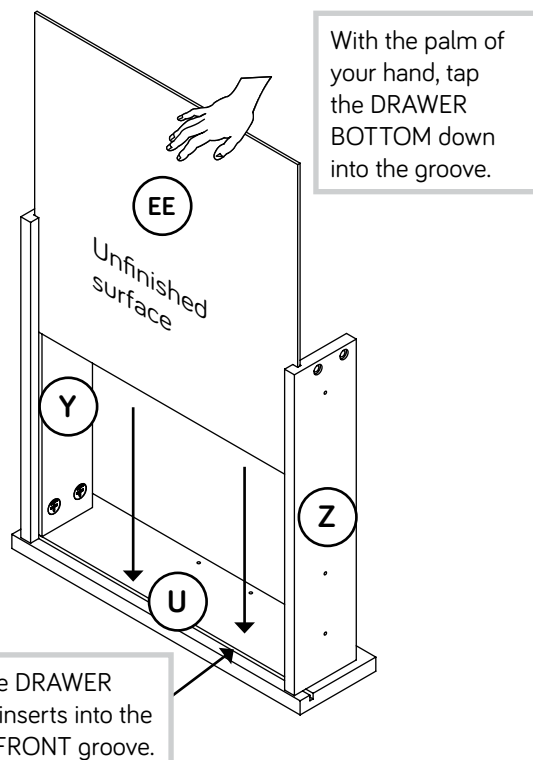


1



- Fasten the SMALL DRAWER SIDES (Y and Z) to the SMALL DRAWER FRONT (U). Tighten four HIDDEN CAMS.

2

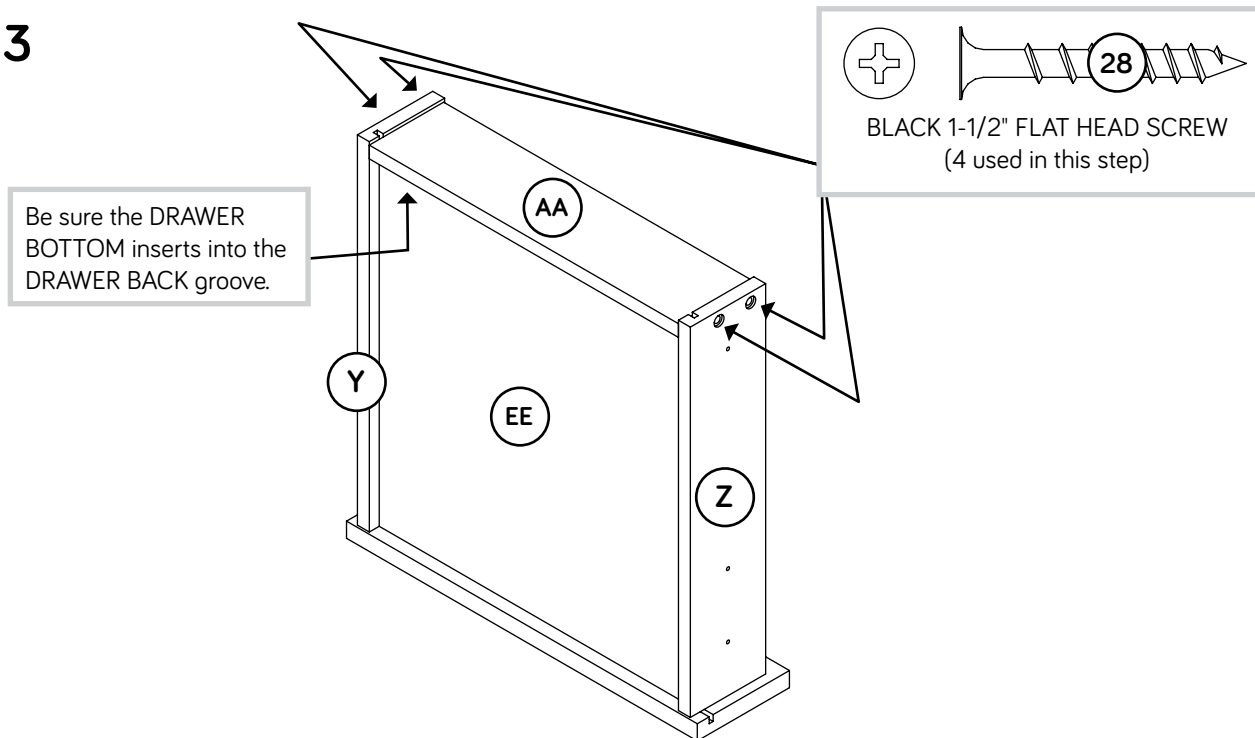


With the palm of your hand, tap the DRAWER BOTTOM down into the groove.

Be sure the DRAWER BOTTOM inserts into the DRAWER FRONT groove.

- Slide the DRAWER BOTTOM (EE) into the grooves in the SMALL DRAWER SIDES (Y and Z) and SMALL DRAWER FRONT (U).

3



BLACK 1-1/2" FLAT HEAD SCREW (4 used in this step)

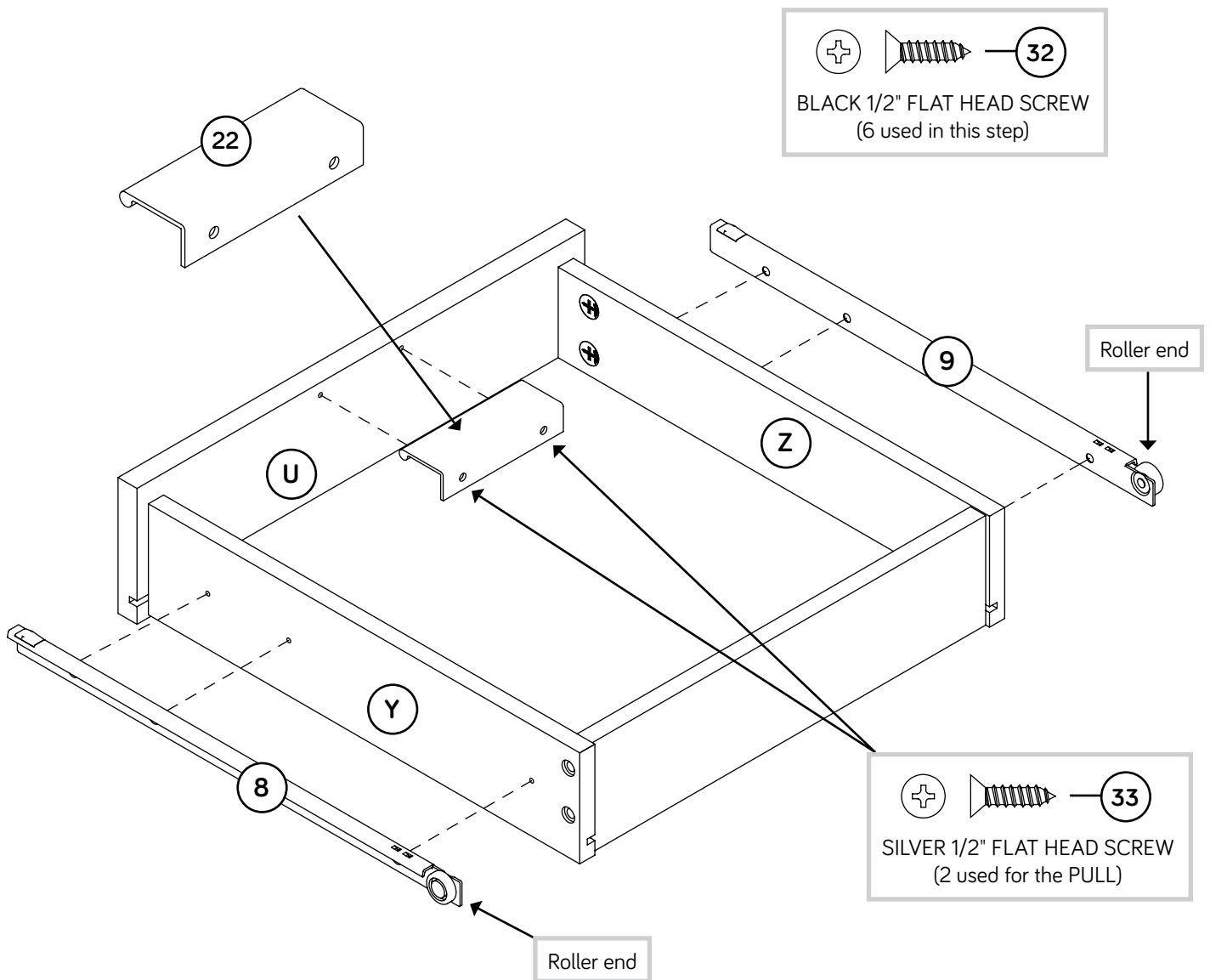
Be sure the DRAWER BOTTOM inserts into the DRAWER BACK groove.

- Fasten the SMALL DRAWER BACK (AA) to the SMALL DRAWER SIDES (Y and Z). Use four BLACK 1-1/2" FLAT HEAD SCREWS (28).

NOTE: Be sure the DRAWER BOTTOM (EE) inserts into the groove of the SMALL DRAWER BACK (AA).

Step 41

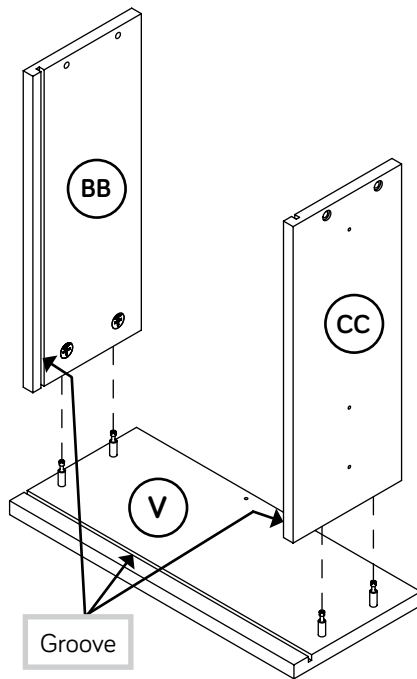
- Fasten the DRAWER SLIDES (8 and 9) to the SMALL DRAWER SIDES (Y and Z). Use six BLACK 1/2" FLAT HEAD SCREWS (32).
- Fasten a PULL (22) to the SMALL DRAWER FRONT (U). Use two SILVER 1/2" FLAT HEAD SCREWS (33).



Step 42

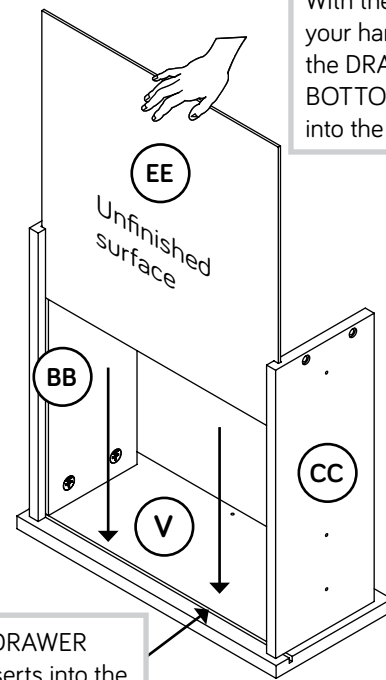


1



- Fasten the DRAWER SIDES (BB and CC) to the DRAWER FRONT (V). Tighten four HIDDEN CAMS.

2

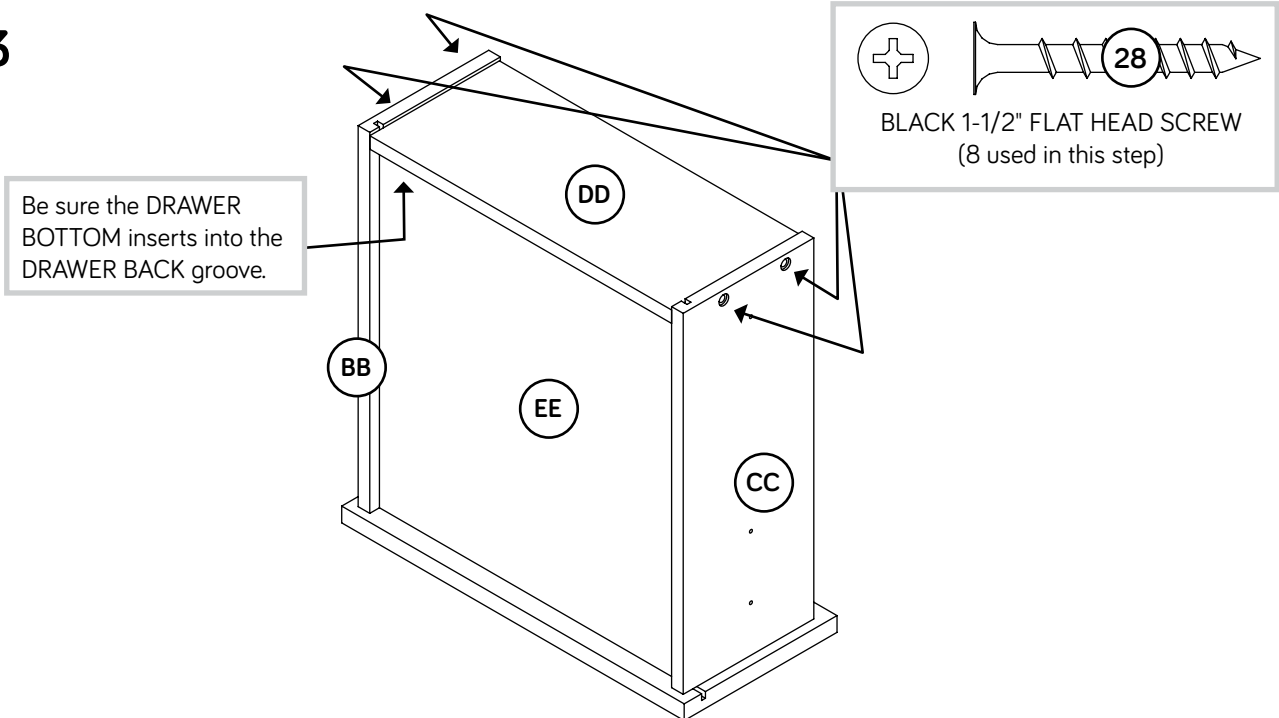


With the palm of your hand, tap the DRAWER BOTTOM down into the groove.

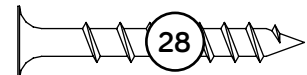
Be sure the DRAWER BOTTOM inserts into the DRAWER FRONT groove.

- Slide the DRAWER BOTTOM (EE) into the grooves in the DRAWER SIDES (BB and CC) and DRAWER FRONT (V).

3



Be sure the DRAWER BOTTOM inserts into the DRAWER BACK groove.

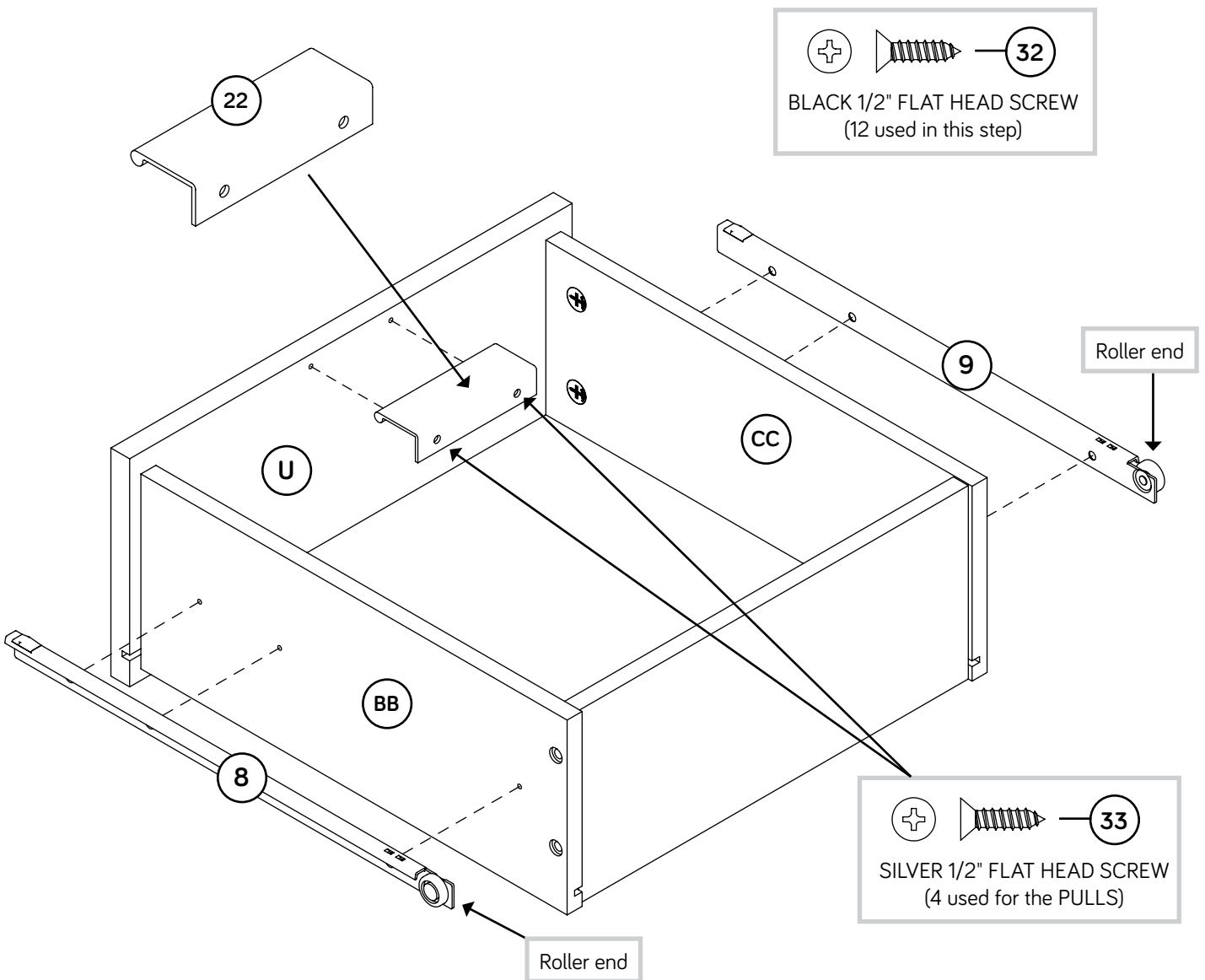


BLACK 1-1/2" FLAT HEAD SCREW (8 used in this step)

- Fasten the DRAWER BACK (DD) to the DRAWER SIDES (BB and CC). Use four BLACK 1-1/2" FLAT HEAD SCREWS (28).
- NOTE:** Be sure the DRAWER BOTTOM (EE) inserts into the groove of the DRAWER BACK (DD).
- Repeat this step for the remaining DRAWER FRONT (V), DRAWER SIDES (BB and CC), DRAWER BACK (DD), and DRAWER BOTTOM (EE).

Step 43

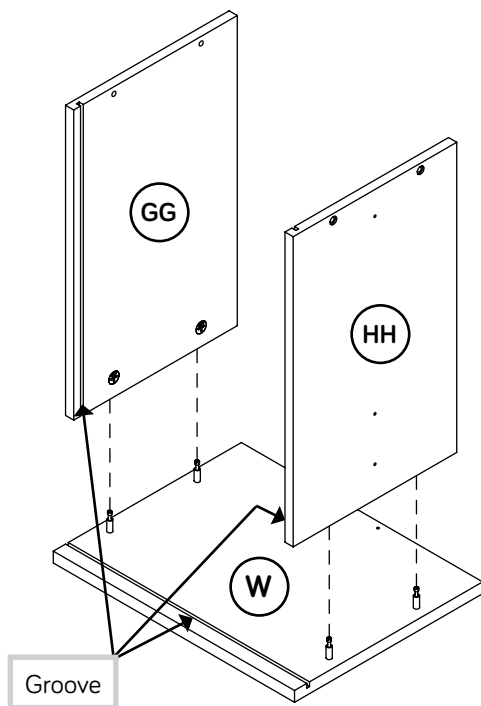
- Fasten the DRAWER SLIDES (8 and 9) to the DRAWER SIDES (BB and CC). Use six BLACK 1/2" FLAT HEAD SCREWS (32).
- Fasten a PULL (22) to the DRAWER FRONT (V). Use two SILVER 1/2" FLAT HEAD SCREWS (33).
- Repeat this step for the other drawer.



Step 44

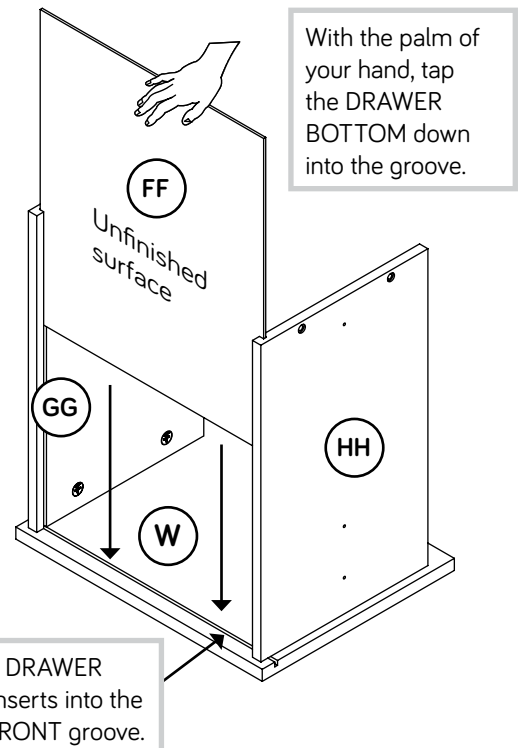


1



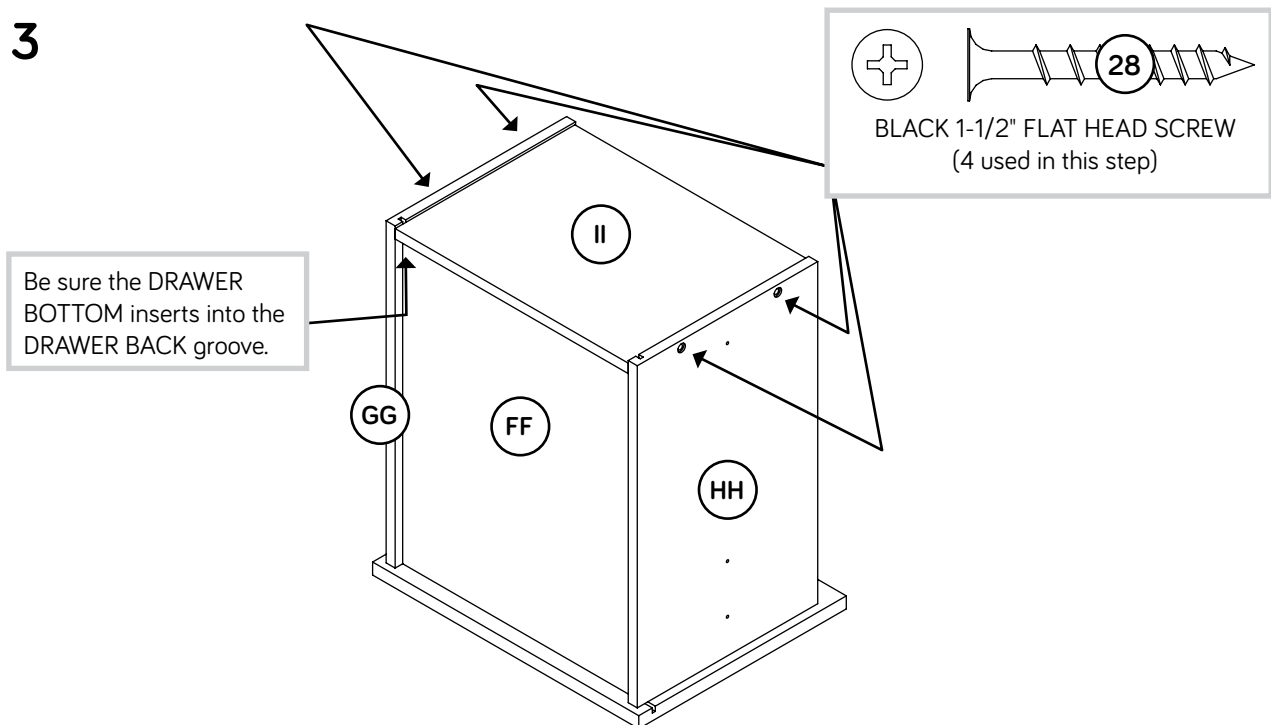
- Fasten the LARGE DRAWER SIDES (GG and HH) to the LARGE DRAWER FRONT (W). Tighten four HIDDEN CAMS.

2



- Slide the LARGE DRAWER BOTTOM (FF) into the grooves in the LARGE DRAWER SIDES (GG and HH) and LARGE DRAWER FRONT (W).

3

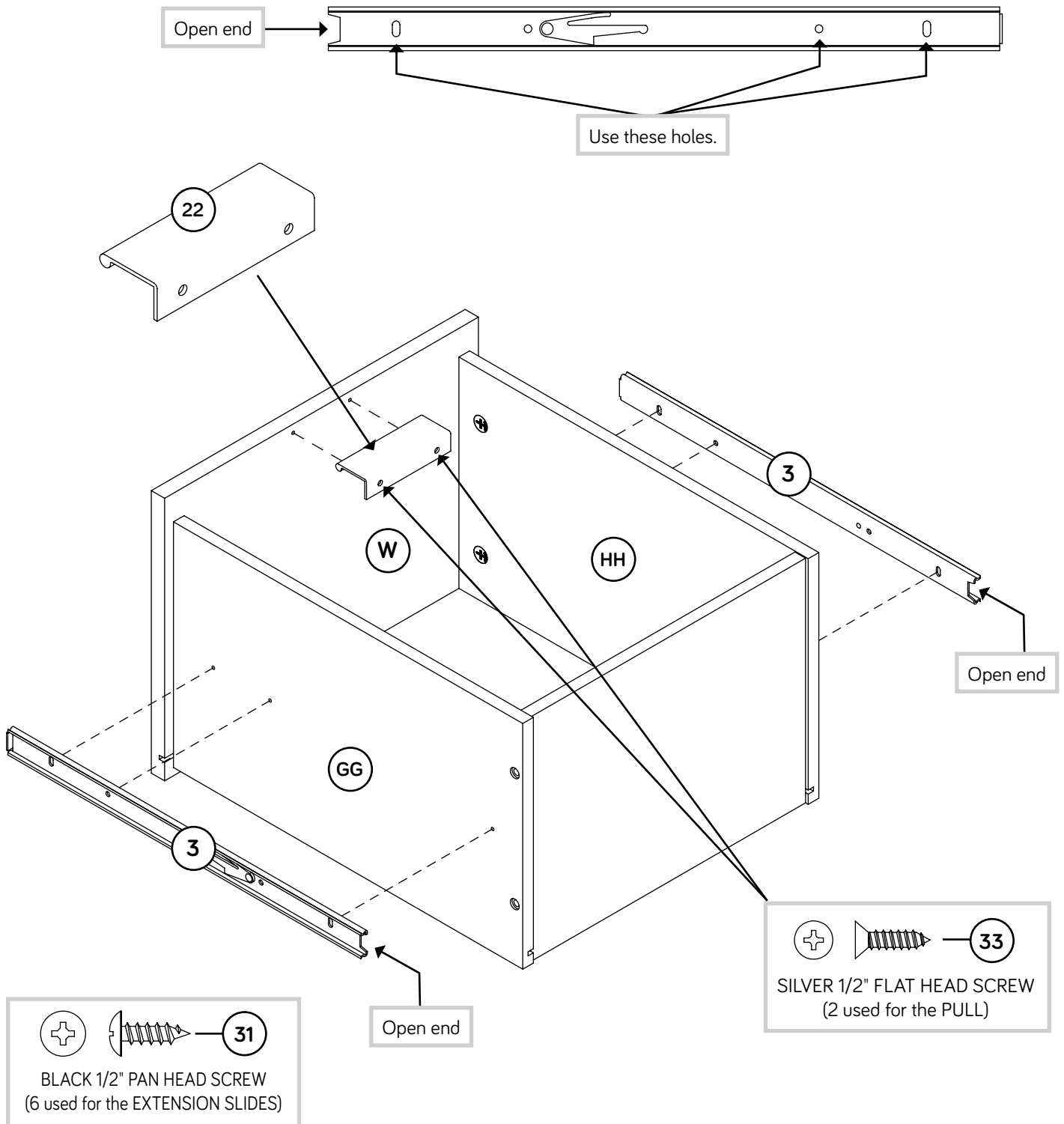


- Fasten the LARGE DRAWER BACK (II) to the LARGE DRAWER SIDES (GG and HH). Use four BLACK 1-1/2" FLAT HEAD SCREWS (28).

NOTE: Be sure the LARGE DRAWER BOTTOM (FF) inserts into the groove of the LARGE DRAWER BACK (II).

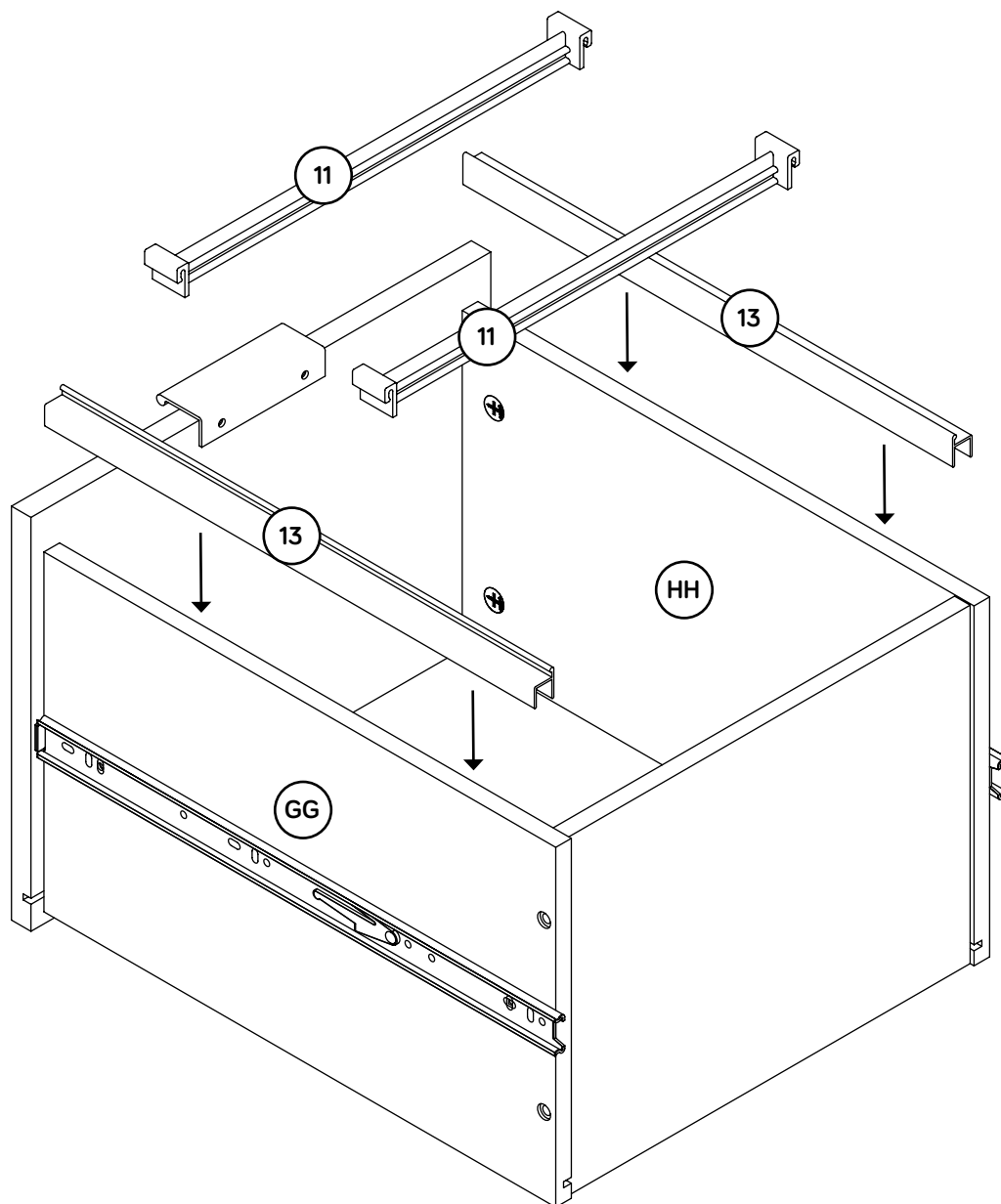
Step 45

- Fasten two LONG EXTENSION SLIDES (3) to the LARGE DRAWER SIDES (GG and HH). Use six BLACK 1/2" PAN HEAD SCREWS (31).
- Fasten a PULL (22) to the LARGE DRAWER FRONT (W). Use two SILVER 1/2" FLAT HEAD SCREWS (33).



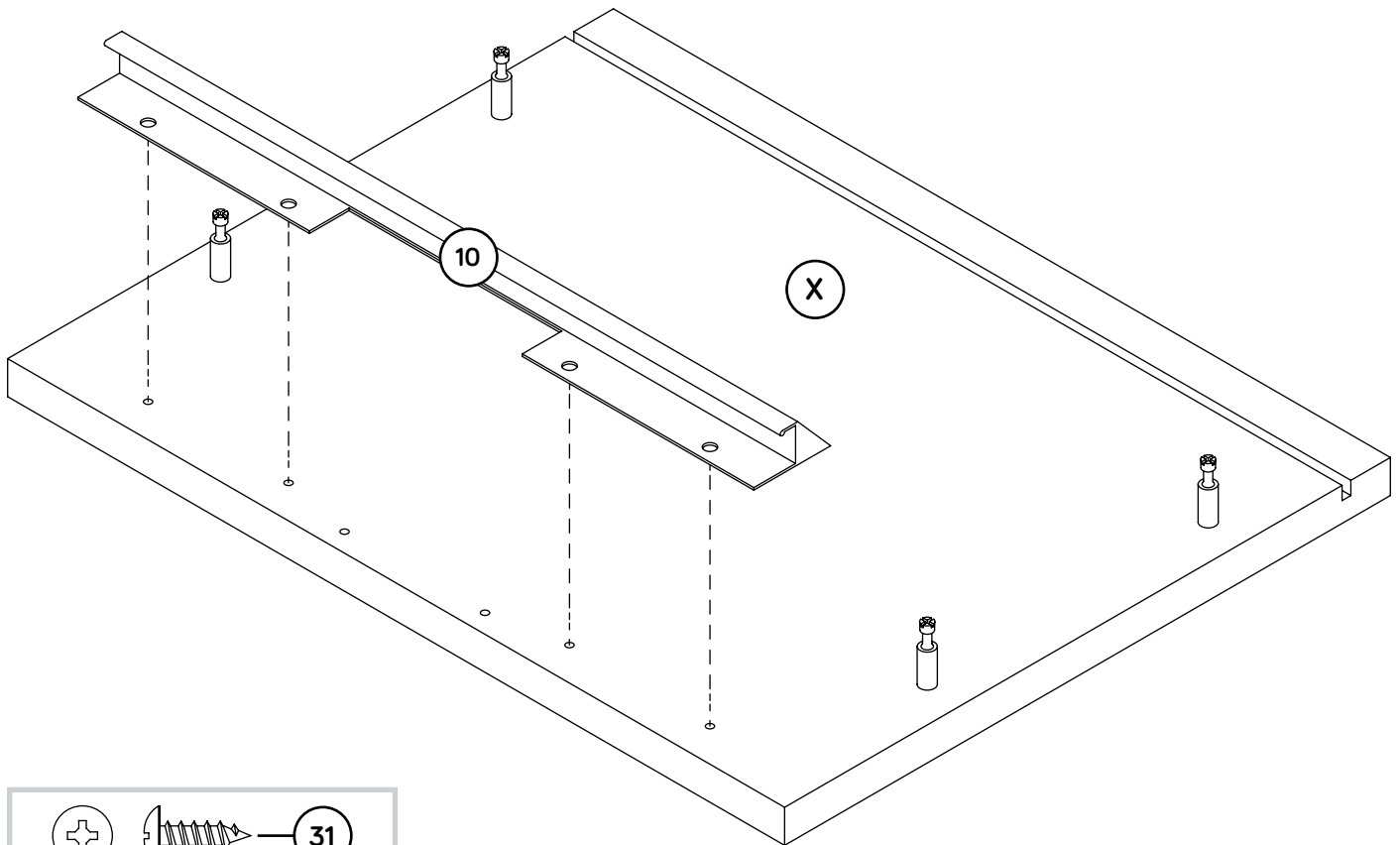
Step 46




- ✚ Push the LONG FILE GLIDES (13) onto the LARGE DRAWER SIDES (GG and HH).
- ✚ Slide two FILE HANGERS (11) onto the LONG FILE GLIDES on the LARGE DRAWER SIDES (GG and HH).



Step 47

- Fasten the FRONT FILE GLIDE (10) to the RETURN DRAWER FRONT (X). Use four BLACK 1/2" PAN HEAD SCREWS (31).



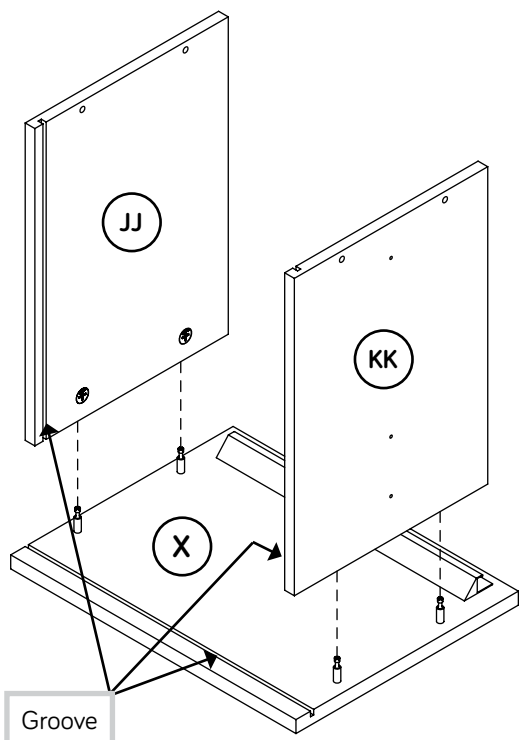
  

BLACK 1/2" PAN HEAD SCREW
(4 used in this step)

Step 48

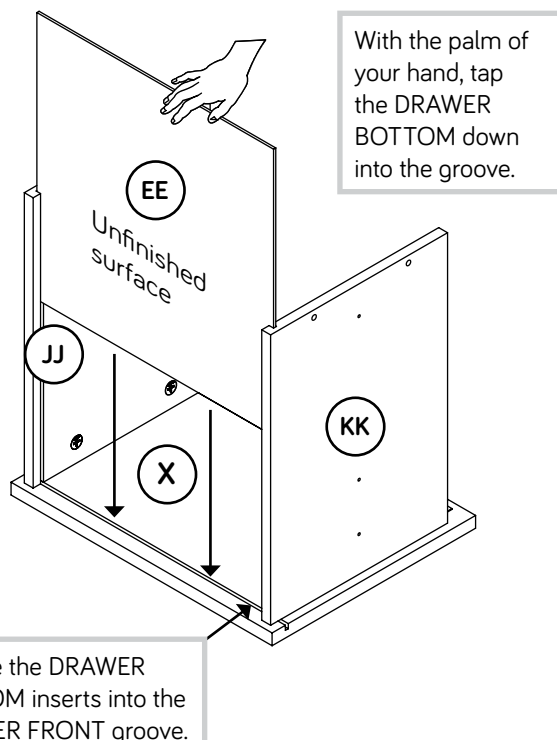


1



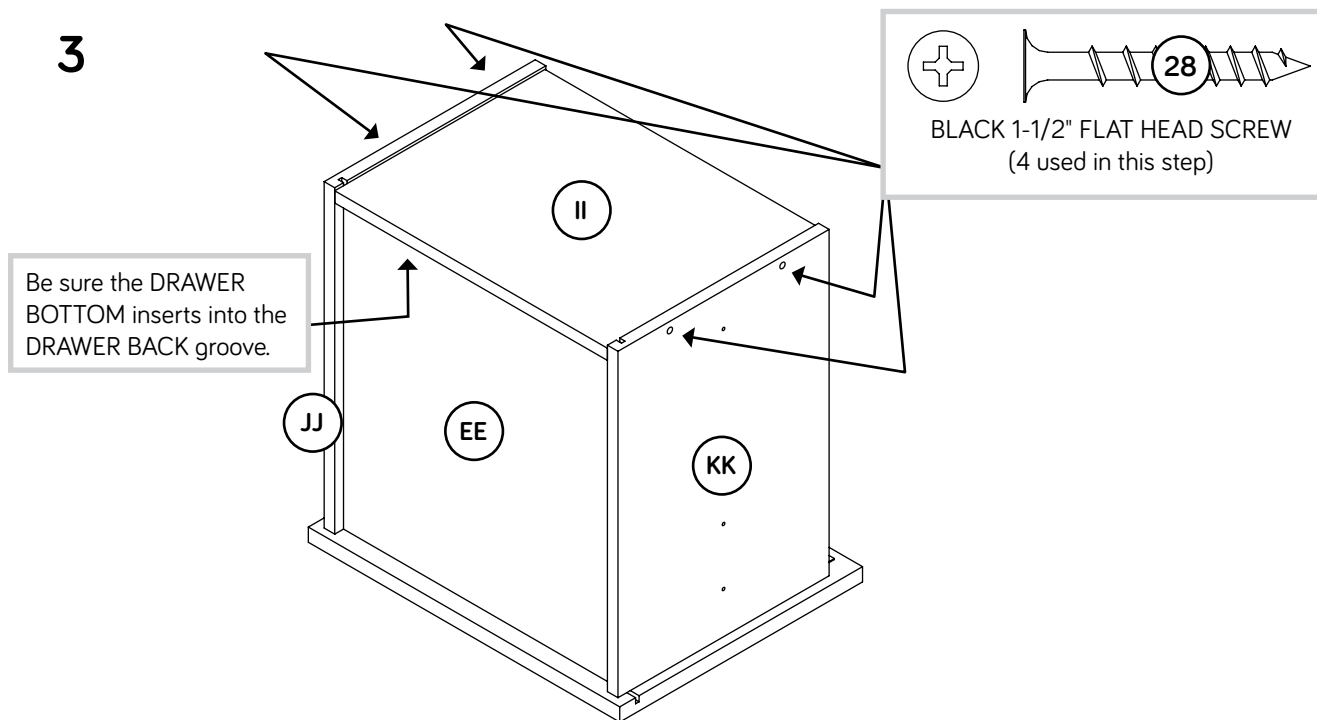
- Fasten the RETURN DRAWER SIDES (JJ and KK) to the RETURN DRAWER FRONT (X). Tighten four HIDDEN CAMS.

2



- Slide the DRAWER BOTTOM (EE) into the grooves in the RETURN DRAWER SIDES (JJ and KK) and RETURN DRAWER FRONT (X).

3

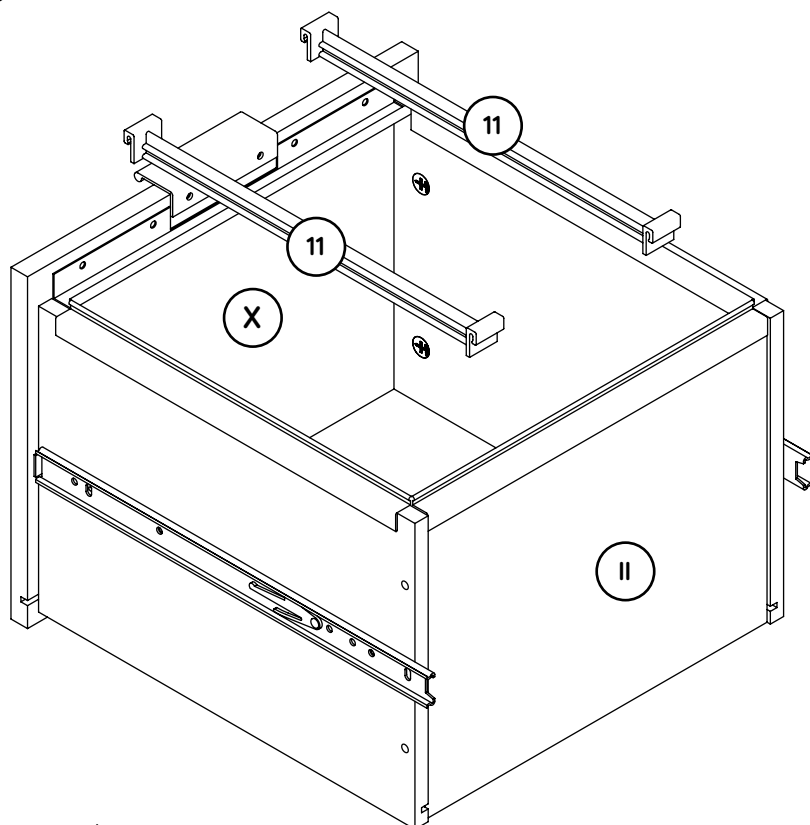
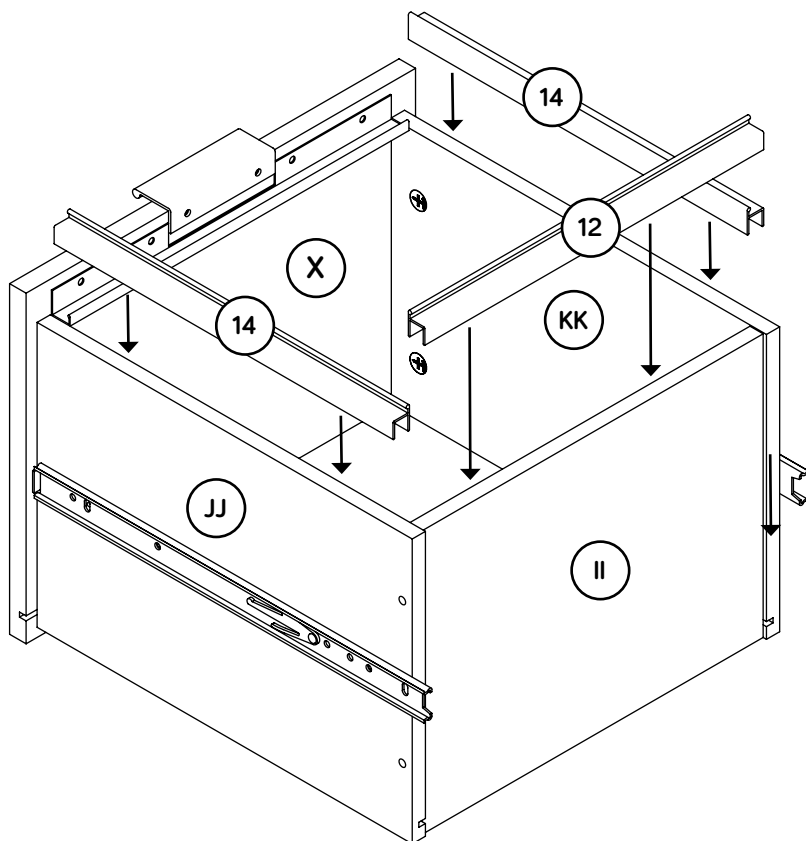


- Fasten the LARGE DRAWER BACK (II) to the RETURN DRAWER SIDES (JJ and KK). Use four BLACK 1-1/2" FLAT HEAD SCREWS (28).

NOTE: Be sure the DRAWER BOTTOM (EE) inserts into the groove of the LARGE DRAWER BACK (II).

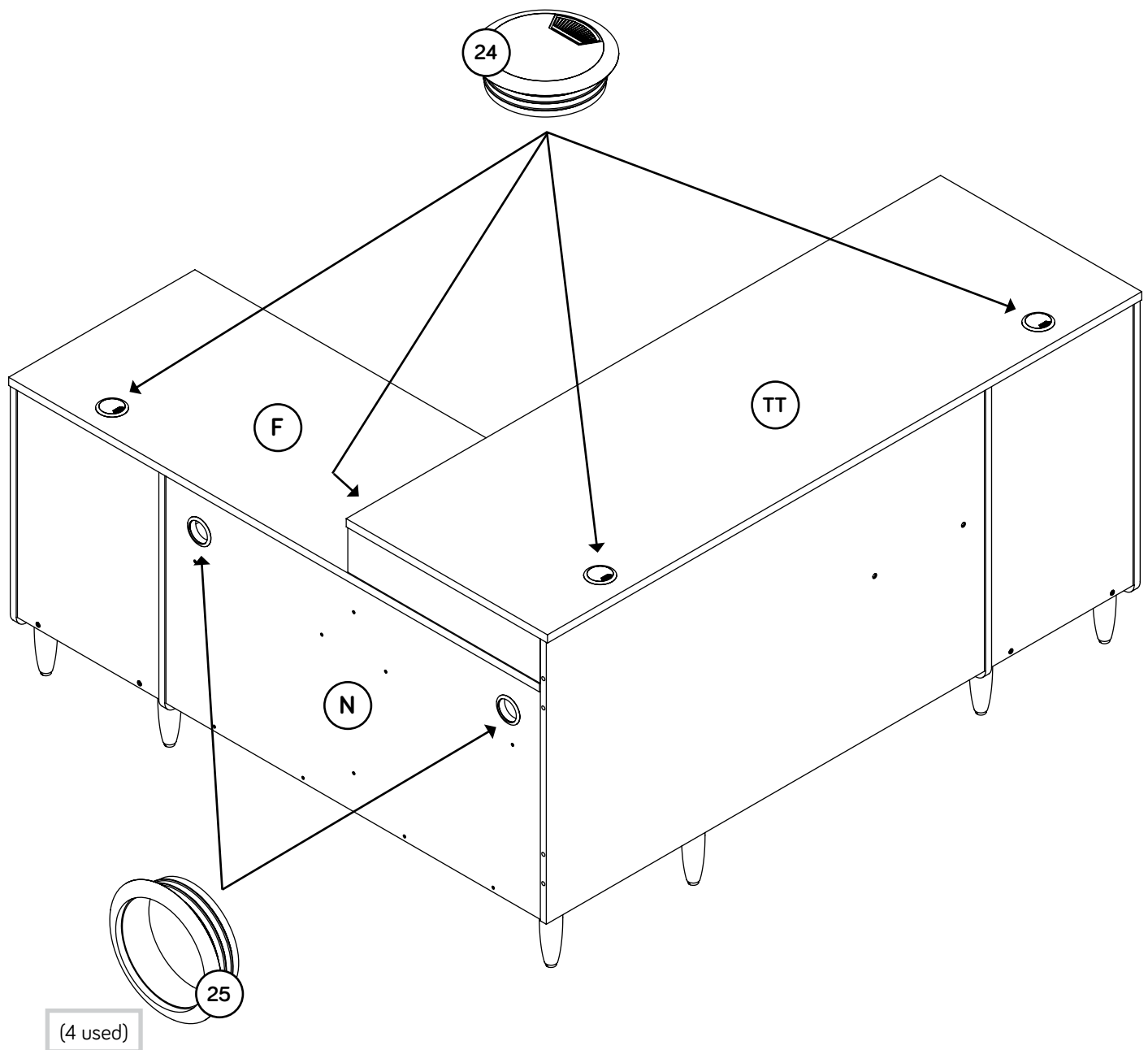
Step 50

- ✚ Push the BACK FILE GLIDE (12) onto the LARGE DRAWER BACK (II).
- ✚ Push the SHORT FILE GLIDES (14) onto the RETURN DRAWER SIDES (JJ and KK).
- ✚ Slide the FILE HANGERS (11) onto the FILE GLIDES on the RETURN DRAWER FRONT (X) and LARGE DRAWER BACK (II).
- ✚ NOTE: The FILE HANGERS can also be placed on the FILE GLIDES on the RETURN DRAWER SIDES (JJ and KK).



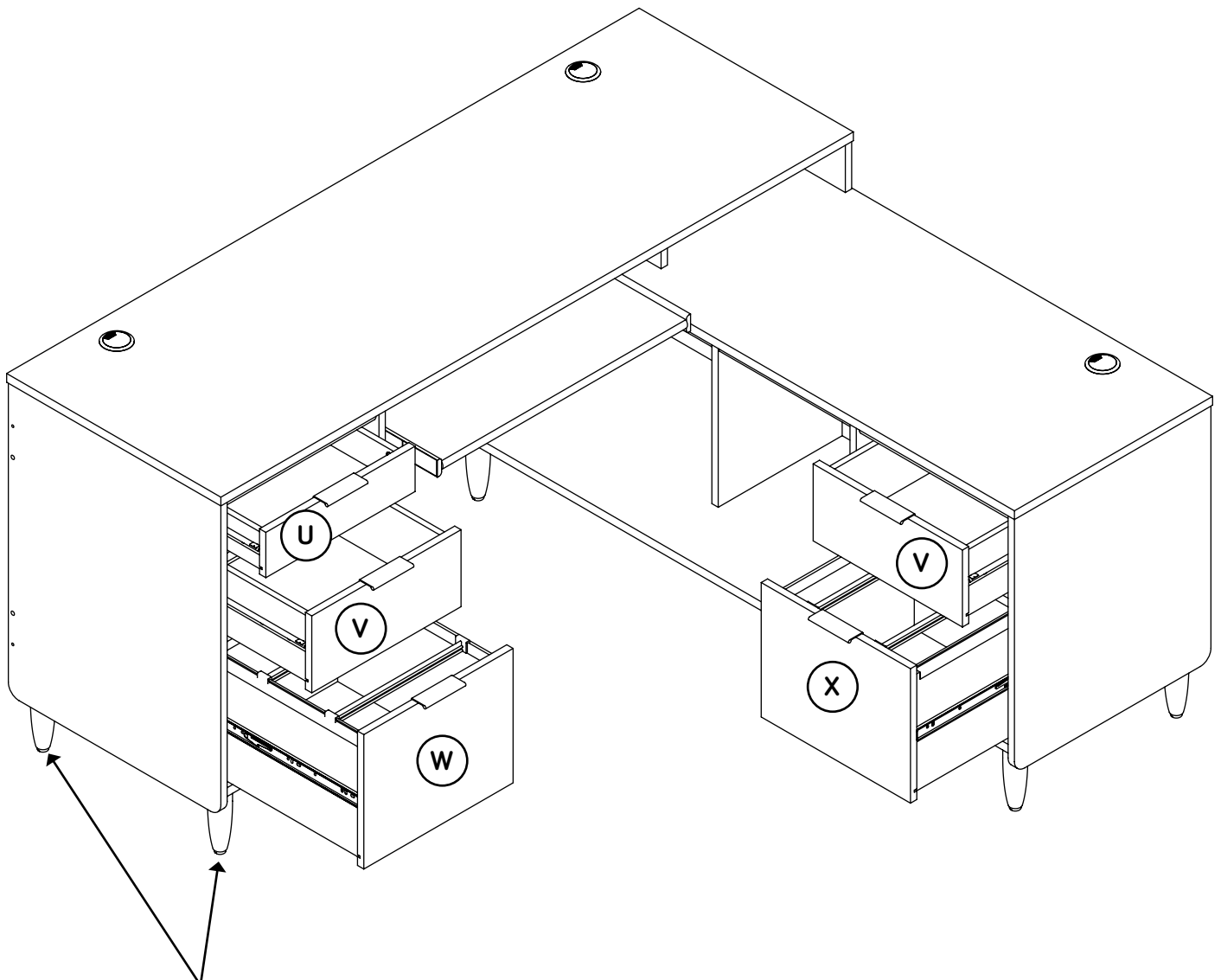
Step 51

- ✦ Insert four GROMMETS (25) into the large holes in the UPRIGHTS (C and SS) and RETURN BACK (N).
- ✦ Insert four GROMMETS WITH CAPS (24) into the large holes in the TOPS (TT and F).



Step 52

- ✚ Position your unit in its final location.
- ✚ **NOTE:** To raise a corner of the unit, turn the ADJUSTABLE GLIDE counter-clockwise. To lower a corner, turn the ADJUSTABLE GLIDE clockwise.
- ✚ To insert the DRAWERS (U and V) into your unit, tip the front of the drawers down and drop the rollers on the drawers behind the rollers on the unit.
- ✚ To insert the LARGE DRAWERS (W and X) into your unit, line up the EXTENSION SLIDES on the drawers with the EXTENSION RAILS on the unit and push the drawers into the unit until the drawers are fully inserted. The drawers will push in hard until they are all the way in, then they will slide in and out easier.



Make any needed adjustments to the ADJUSTABLE GLIDES to level your unit.

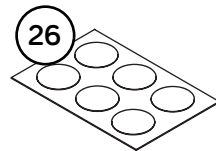
Step 53

🔪 Peel the STICKERS from the APPLIQUE CARD (26) and stick them onto each visible hole, HIDDEN CAM, or over the head of each visible SCREW.

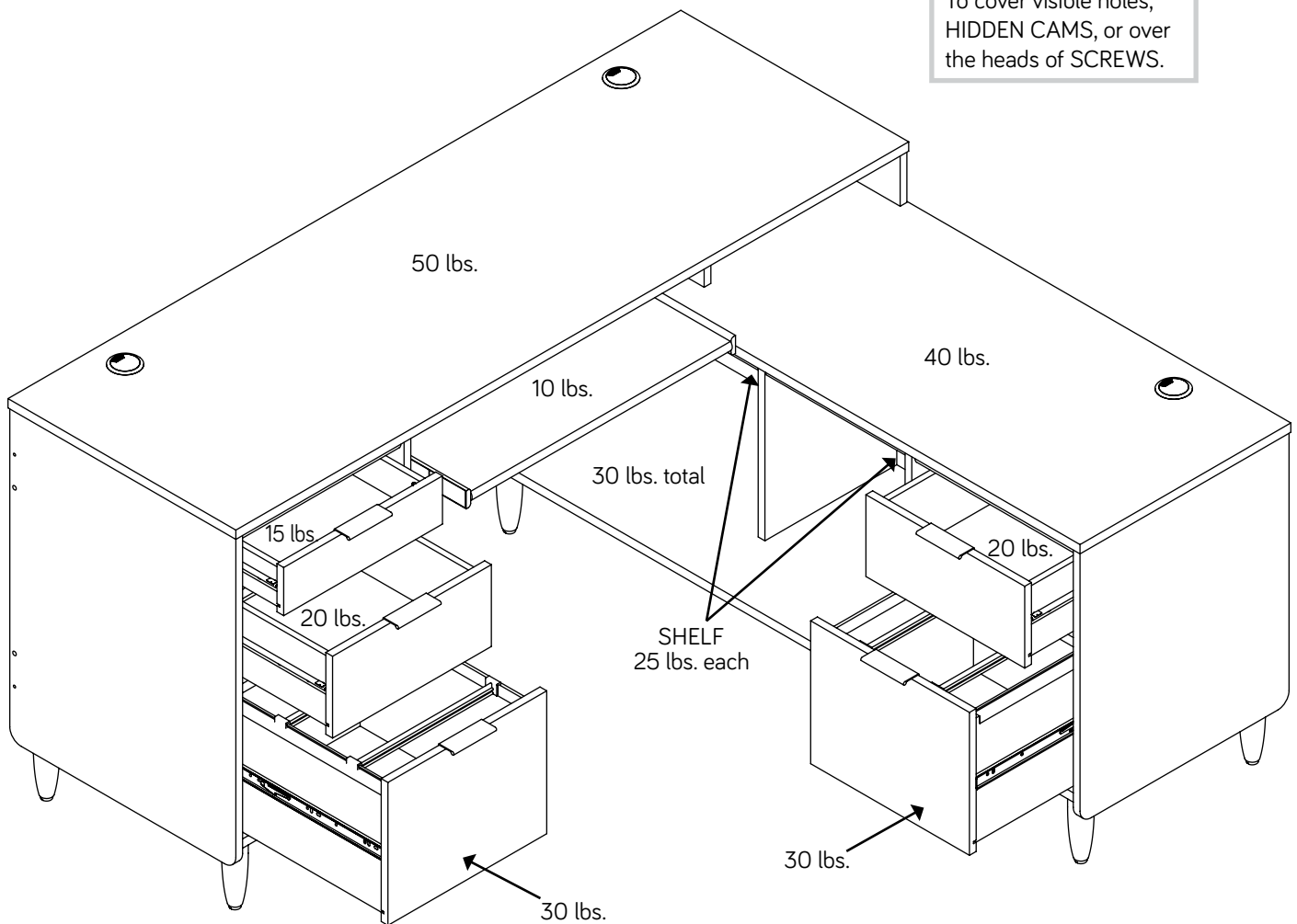
🔪 **NOTE:** Please read the back pages of the instruction booklet for important safety information.

🔪 This completes assembly. Clean with a damp cloth. Wipe dry.

★ **And to celebrate, why not share your success story?**



To cover visible holes, HIDDEN CAMS, or over the heads of SCREWS.



Utilisez les instructions d'assemblage en français avec les schémas étape par étape du manuel d'instruction en anglais. Chaque étape en français correspond à la même étape en anglais. La pièce devant être attachée à l'élément est représentée en gris sur les schémas de chaque étape pour plus de précision. Comparer la "Liste de pièces" ci-dessous avec la "PART IDENTIFICATION" du manuel en anglais pour vous familiariser avec les pièces avant l'assemblage.

REMARQUE : CE MANUEL D'INSTRUCTIONS CONTIENT D'IMPORTANTES INFORMATIONS RELATIVES À LA SÉCURITÉ. À LIRE ET CONSERVER POUR TOUTE RÉFÉRENCE FUTURE.

NOUS SOMMES LA POUR VOUS AIDER!

Nous faisons de notre mieux pour nous assurer que votre meuble arrive dans d'excellentes conditions. Nos représentants du service Clientèle sont aimables et prêts à vous aider au cas où une pièce aurait été endommagée ou manquerait (ou si vous aviez besoin d'aide pour l'assemblage). NE RAMENEZ PAS LE MEUBLE AU MAGASIN. Au Canada, composez ce numéro d'appel gratuit:

1-800-445-1527

Du lundi au vendredi, de 9 heures du matin à 5:30 heures du soir (horaire Côte Est) (sauf jours fériés)

Si une pièce a besoin d'être remplacée, la pièce de remplacement sera envoyée dans les 48 heures. (Sauf week-ends et jours fériés)

A l'usage exclusif du Canada Noter la date d'achat de cet élément et conserver le livret pour future référence. Pour contacter Sauder en ce qui concerne cet élément, faire référence au numéro de lot et numéro de modèle en appelant notre numéro sans frais.

Lot n° : _____

Date de l'achat: _____

LISTE DE PIÈCES			LISTE DE PIÈCES		
REFERENCE	DESCRIPTION	QUANTITÉ	REFERENCE	DESCRIPTION	QUANTITÉ
REMARQUE : La pièce YY ne sera pas utilisée dans le retour sur l'assemblage à droite.					
C	MONTANT.....	1	1	ENSEMBLE DE COULISSEAUX DE TABLETTE.....	1
F	DESSUS DE RETOUR.....	1	2	GLISSIÈRE D'EXTENSION LONGUE.....	2
G	TABLETTE.....	2	3	COULISSE D'EXTENSION LONGUE.....	2
K	PETIT ARRIÈRE.....	1	(ENSEMBLE DE GLISSIÈRE ILLUSTRÉ À PART)		
L	PETIT ARRIÈRE DE RETOUR.....	1	4	GLISSIÈRE D'EXTENSION.....	2
N	ARRIÈRE DE RETOUR.....	1	5	COULISSE D'EXTENSION.....	2
O	TABLETTE DE CLAVIER.....	1	6	GLISSIÈRE DROITE D'ÉLÉMENT.....	3
P	COURT MONTANT.....	1	(ENSEMBLE DE GLISSIÈRE ILLUSTRÉ À PART)		
Q	LONG MONTANT.....	1	7	GLISSIÈRE GAUCHE D'ÉLÉMENT.....	3
R	RAIL SUPÉRIEUR.....	2	8	COULISSE DROITE DE TIROIR.....	3
S	ENTRETOISE.....	2	9	COULISSE GAUCHE DE TIROIR.....	3
T	ENTRETOISE DE RETOUR.....	1	10	ARMATURE AVANT POUR DOSSIERS.....	1
U	DEVANT DE PETIT TIROIR.....	1	11	SUPPORT POUR DOSSIERS.....	4
V	DEVANT DE TIROIR.....	2	12	ARMATURE ARRIÈRE POUR DOSSIERS.....	1
W	DEVANT DE GRAND TIROIR.....	1	13	ARMATURE LONGUE POUR DOSSIERS.....	2
X	DEVANT DE TIROIR DE RETOUR.....	1	14	ARMATURE COURTE POUR DOSSIERS.....	2
Y	CÔTÉ DROIT DE PETIT TIROIR.....	1	15	GRANDE EXCENTRIQUE ESCAMOTABLE.....	57
Z	CÔTÉ GAUCHE DE PETIT TIROIR.....	1	16	VIS D'EXCENTRIQUE AVEC TÊTE EN ANGLE.....	57
AA	ARRIÈRE DE PETIT TIROIR.....	1	17	PETITE EXCENTRIQUE ESCAMOTABLE.....	20
BB	CÔTÉ DROIT DE TIROIR.....	2	18	VIS D'EXCENTRIQUE AVEC TÊTE DROITE.....	20
CC	CÔTÉ GAUCHE DE TIROIR.....	2	(Ne pas ouvrir les pièces 17 et 18 jusqu'à ce que vous êtes prêt à assembler les tiroirs.)		
DD	ARRIÈRE DE TIROIR.....	2	19	LONGUE CHEVILLE EN BOIS.....	40
EE	FOND DE TIROIR.....	4	20	COURTE CHEVILLE EN BOIS.....	12
FF	FOND DE GRAND TIROIR.....	1	21	CONSOLE.....	2
GG	CÔTÉ DROIT DE GRAND TIROIR.....	1	22	POIGNÉE.....	5
HH	CÔTÉ GAUCHE DE GRAND TIROIR.....	1	23	PATIN RÉGLABLE.....	11
II	ARRIÈRE DE GRAND TIROIR.....	2	24	PASSE-CÂBLES AVEC COUVERCLE.....	4
JJ	CÔTÉ DROIT DE TIROIR DE RETOUR.....	1	26	FICHE D'APPLIQUÉS.....	1
KK	CÔTÉ GAUCHE DE TIROIR DE RETOUR.....	1	27	GRANDE FICHE D'APPLIQUÉS.....	1
LL	RAIL INFÉRIEUR LONG.....	2	35	CONSOLE DE PIED.....	10
MM	RAIL INFÉRIEUR.....	4			
NN	PIED.....	11	28	VIS TÊTE PLATE 38 mm NOIRE.....	44
QQ	EXTRÉMITÉ DROITE.....	1	29	VIS TÊTE PLATE 28 mm NOIRE.....	18
RR	EXTRÉMITÉ GAUCHE.....	1	30	VIS TÊTE LARGE 15 mm NOIRE.....	4
SS	MONTANT DE RETOUR.....	1	31	VIS TÊTE GOUTTE DE SUIF 13 mm NOIRE.....	40
TT	DESSUS.....	1	32	VIS TÊTE PLATE 13 mm NOIRE.....	36
UU	PETIT DESSOUS.....	1	33	VIS TÊTE PLATE 13 mm ARGENTÉE.....	10
VV	DESSOUS.....	1	34	VIS TÊTE GOUTTE DE SUIF 14 mm.....	40
WW	PETIT DESSOUS DE RETOUR.....	1			
XX	ARRIÈRE.....	1			
YY	EXTRÉMITÉ GAUCHE DE RETOUR.....	1			
ZZ	EXTRÉMITÉ DROITE DE RETOUR.....	1			

ÉTAPE 1

Assembler l'élément sur un sol à moquette ou sur le carton vide pour éviter d'endommager l'élément ou le sol.

Enfoncer cinquante EXCENTRIQUES ESCAMOTABLES (15) dans les EXTRÉMITÉS (QQ et RR), le MONTANT (C), le MONTANT DE RETOUR (SS), les TABLETTES (G), les DESSOUS (VV), les ARRIÈRES (K et L), l'ARRIÈRE DE RETOUR (N), le COURT MONTANT (P), le LONG MONTANT (Q), les ENTRETOISES (S et T) et l'EXTRÉMITÉ DROITE DE RETOUR (ZZ).

ÉTAPE 2

Serrer quatorze VIS D'EXCENTRIQUE AVEC TÊTE EN ANGLE (16) dans les trous exacts illustrés dans les EXTRÉMITÉS (QQ et RR), le MONTANT (C), et l'EXTRÉMITÉ DROITE DE RETOUR (ZZ).

ÉTAPE 3

Fixer huit CONSOLES DE PIED (35) au PETIT DESSOUS (UU et WW). Utiliser seize VIS TÊTE MINCE 14 mm (34).

Décoller un autocollant de la GRANDE FICHE D'APPLIQUÉS (27) et coller l'autocollant sur le gros trou du DESSOUS (VV).

ÉTAPE 4

Faire tourner huit PIEDS (NN) dans les PETITS DESSOUS (UU et WW).
REMARQUE : Ne pas trop serrer les PIEDS.

Ensuite, faire tourner huit VÉRINS (23) dans les PIEDS (NN).

REMARQUE : Tourner les VÉRINS jusqu'à ce qu'il soit inséré jusqu'au fond. Les ajustements au pied se feront une fois que l'unité sera à la verticale.

ÉTAPE 5

Insérer quatre COURTES CHEVILLES EN BOIS (20) dans les PETITS DESSOUS (UU et WW).

Fixer quatre RAILS INFÉRIEURS (MM) aux PETITS DESSOUS (UU et WW). Utiliser huit VIS TÊTE PLATE 28 mm NOIRES (29).

REMARQUE : S'assurer d'insérer les COURTES CHEVILLES EN BOIS des PETITS DESSOUS dans les RAILS INFÉRIEURS.

ÉTAPE 6

Séparer les LONGUES COULISSES D'EXTENSION (3) des LONGUES GLISSIÈRES D'EXTENSION (2) comme l'indique le schéma agrandi ci-dessous. Faire attention car les pièces sont graissées.

Fixer deux LONGUES GLISSIÈRES D'EXTENSION (2) aux EXTRÉMITÉS (QQ et RR). Utiliser six VIS TÊTE GOUTTE DE SUIF 13 mm NOIRES (31).

REMARQUE : Pour chaque GLISSIÈRE D'EXTENSION, faire tourner une VIS dans le trou indiqué dans le schéma agrandi. Ensuite, enfiler la cartouche interne de la GLISSIÈRE D'EXTENSION vers l'intérieur pour trouver les autres trous qui sont alignés sur les trous dans les EXTRÉMITÉS. Faire tourner une VIS dans ce trou.

REMARQUE : Les LONGUES COULISSES D'EXTENSION seront utilisées ultérieurement pour le GRAND TIROIR.

ÉTAPE 7

Fixer les GLISSIÈRES D'ÉLÉMENT (6 et 7) aux EXTRÉMITÉS (QQ et RR). Utiliser douze VIS TÊTE PLATE 13 mm NOIRES (32).

ÉTAPE 8

Insérer deux LONGUES CHEVILLES EN BOIS (19) dans les trous exacts illustrés dans l'EXTRÉMITÉ DROITE (RR).

Fixer le PETIT DESSOUS (UU) à l'EXTRÉMITÉ GAUCHE (RR). Utiliser quatre VIS TÊTE MINCE 14 mm (34) à travers les CONSOLES DE PIED situées sur le PETIT DESSOUS (UU) et dans l'EXTRÉMITÉ GAUCHE.

REMARQUE : S'assurer de bien insérer les CHEVILLES EN BOIS dans l'EXTRÉMITÉ GAUCHE dans les trous du PETIT DESSOUS.

ÉTAPE 9

Insérer quatre LONGUES CHEVILLES EN BOIS (19) dans les trous exacts illustrés dans l'EXTRÉMITÉ GAUCHE (RR).

Fixer le PETIT ARRIÈRE (K) aux ENTRETOISES (S) à l'EXTRÉMITÉ GAUCHE (RR). Serrer quatre EXCENTRIQUES ESCAMOTABLES.

REMARQUE : S'assurer de bien insérer les LONGUES CHEVILLES EN BOIS de l'EXTRÉMITÉ GAUCHE dans le PETIT ARRIÈRE et les ENTRETOISES.

Fixer le PETIT ARRIÈRE (K) au PETIT DESSUS (UU). Utiliser deux VIS TÊTE PLATE 38 mm NOIRES (28).

ÉTAPE 10

Insérer six LONGUES CHEVILLES EN BOIS (19) dans l'EXTRÉMITÉ DROITE (QQ).

Fixer l'EXTRÉMITÉ DROITE (QQ) à PETIT ARRIÈRE (K) et aux ENTRETOISES (S). Serrer quatre EXCENTRIQUES ESCAMOTABLES.

Fixer l'EXTRÉMITÉ DROITE (QQ) au PETIT DESSOUS (UU). Utiliser quatre VIS TÊTE MINCE 14 mm (34) à travers les CONSOLES DE PIED situées sur le PETIT DESSOUS et dans l'EXTRÉMITÉ DROITE.

REMARQUE : S'assurer de bien insérer les LONGUES CHEVILLES EN BOIS situées sur l'EXTRÉMITÉ DROITE dans les trous du PETIT DESSOUS, PETIT ARRIÈRE et des ENTRETOISES.

ÉTAPE 11

Faire tourner six VIS D'EXCENTRIQUE AVEC TÊTE EN ANGLE (16) dans les trous exacts illustrés dans le MONTANT DE RETOUR (SS).

ÉTAPE 12

Séparer les COULISSES D'EXTENSION (5) des GLISSIÈRES D'EXTENSION (4) comme l'indique le schéma agrandi ci-dessous. Faire attention car les pièces sont graissées.

Fixer deux GLISSIÈRES D'EXTENSION (4) au MONTANT DE RETOUR (SS) et à l'EXTRÉMITÉ DROITE DE RETOUR (ZZ). Utiliser six VIS TÊTE GOUTTE DE SUIF 13 mm NOIRES (31).

REMARQUE : Pour chaque GLISSIÈRE D'EXTENSION, faire tourner une VIS dans le trou indiqué dans le schéma agrandi. Ensuite, enfiler la cartouche interne de la GLISSIÈRE D'EXTENSION vers l'intérieur pour trouver les autres trous qui sont alignés sur les trous dans le MONTANT et l'EXTRÉMITÉ. Faire tourner une VIS dans ce trou.

REMARQUE : Les COULISSES D'EXTENSION seront utilisées ultérieurement pour le TIROIR DE RETOUR.

ÉTAPE 13

Fixer les GLISSIÈRES D'EXTENSION (6 et 7) au MONTANT DE RETOUR (SS) et à l'EXTRÉMITÉ DROITE DE RETOUR (ZZ). Utiliser six VIS TÊTE PLATE 13 mm NOIRES (32).

ÉTAPE 14

Enfiler le PETIT ARRIÈRE DE RETOUR (L) sur le PETIT DESSOUS DE RETOUR (WW). Utiliser deux VIS TÊTE PLATE 38 mm NOIRES (28).

ÉTAPE 15

Insérer quatre LONGUES CHEVILLES EN BOIS (19) dans les trous exacts illustrés dans le MONTANT DE RETOUR (SS).

Fixer le PETIT DESSOUS DE RETOUR (WW) et le PETIT ARRIÈRE DE RETOUR (L) au MONTANT DE RETOUR (SS). Serrer deux EXCENTRIQUES ESCAMOTABLES et utiliser quatre VIS TÊTE MINCE 14 mm (34) à travers les CONSOLE DE PIED situées sur le PETIT DESSOUS DE RETOUR et dans le MONTANT DE RETOUR.

REMARQUE : S'assurer de bien insérer les LONGUES CHEVILLES EN BOIS situées sur le MONTANT DE RETOUR dans les trous du PETIT DESSOUS DE RETOUR et PETIT ARRIÈRE DE RETOUR.

ÉTAPE 16

Fixer l'ENTRETOISE DE RETOUR (T) au MONTANT DE RETOUR (SS). Serrer deux EXCENTRIQUES ESCAMOTABLES.

ÉTAPE 17

Insérer quatre LONGUES CHEVILLES EN BOIS (19) dans l'EXTRÉMITÉ DROITE DE RETOUR (ZZ).

Fixer l'EXTRÉMITÉ GAUCHE DE RETOUR (YY) à PETIT ARRIÈRE DE RETOUR (L) et l'ENTRETOISE DE RETOUR (T). Serrer quatre EXCENTRIQUES ESCAMOTABLES.

Fixer l'EXTRÉMITÉ GAUCHE DE RETOUR (YY) au PETIT DESSOUS DE RETOUR (WW). Utiliser quatre VIS TÊTE MINCE 14 mm (34) à travers les CONSOLES DE PIED situées sur le PETIT DESSOUS DE RETOUR et dans l'EXTRÉMITÉ GAUCHE DE RETOUR.

REMARQUE : S'assurer de bien insérer les LONGUES CHEVILLES EN BOIS situées sur l'EXTRÉMITÉ DROITE DE RETOUR dans les trous du PETIT DESSOUS DE RETOUR, PETIT ARRIÈRE DE RETOUR et de l'ENTRETOISE DE RETOUR.

ÉTAPE 18

Fixer le MONTANT (C) à l'une des TABLETTES (G). Utiliser deux VIS TÊTE PLATE 38 mm NOIRES (28).

ÉTAPE 19

Fixer l'autre TABLETTE (G) au MONTANT (C). Serrer deux EXCENTRIQUES ESCAMOTABLES.

ÉTAPE 20

Fixer deux CONSOLES DE PIED (35) au DESSOUS (VV). Utiliser quatre VIS TÊTE MINCE 14 mm (34).

Fixer le DESSOUS (VV) au MONTANT (C). Utiliser deux VIS TÊTE PLATE 38 mm NOIRES (28).

ÉTAPE 21

Avec précaution, retourner l'élément sur ses chants avant.

Insérer quatre LONGUES CHEVILLES EN BOIS (19) dans les trous exacts illustrés dans l'ARRIÈRE DE RETOUR (N).

Fixer l'ARRIÈRE DE RETOUR (N) au MONTANT (C), aux TABLETTES (G) et au DESSOUS (VV). Utiliser dix VIS TÊTE PLATE 38 mm NOIRES (28).

REMARQUE : S'assurer de bien insérer les LONGUES CHEVILLES EN BOIS situées sur l'ARRIÈRE DE RETOUR dans les trous dans le MONTANT et les TABLETTES.

ÉTAPE 22

Reposer soigneusement l'ensemble sur son dos.

Faire tourner trois PIEDS (NN) dans le DESSOUS (VV).

REMARQUE : Ne pas trop serrer les PIEDS.

Ensuite, faire tourner trois VÉRINS (23) dans les PIEDS (NN).

REMARQUE : Tourner les VÉRINS jusqu'à ce qu'il soit inséré jusqu'au fond. Les ajustements au pied se feront une fois que l'unité sera à la verticale.

ÉTAPE 23

Insérer quatre COURTES CHEVILLES EN BOIS (20) dans le DESSOUS (VV).

Fixer deux RAILS INFÉRIEURS LONGS (LL) sur le DESSOUS (VV). Utiliser six VIS TÊTE PLATE 28 mm NOIRES (29).

REMARQUE : S'assurer de bien insérer les COURTES CHEVILLES EN BOIS située sur le DESSOUS dans les trous dans les RAILS INFÉRIEURS LONGS.

ÉTAPE 24

Faire tourner quatre VIS D'EXCENTRIQUE AVEC TÊTE EN ANGLE (16) dans les trous exacts illustrés dans le MONTANT DE RETOUR (SS).

Insérer quatre LONGUES CHEVILLES EN BOIS (19) dans les trous exacts illustrés dans le MONTANT DE RETOUR (SS).

ÉTAPE 25

REMARQUE : L'assistance d'autrui peut être nécessaire à cette étape.

Fixer le MONTANT DE RETOUR (SS) au DESSOUS (VV) et à l'ARRIÈRE DE RETOUR (N). Serrer quatre EXCENTRIQUES ESCAMOTABLES.

REMARQUE : S'assurer de bien insérer les LONGUES CHEVILLES EN BOIS situées sur le MONTANT DE RETOUR dans les trous de la TABLETTE, du DESSOUS et ARRIÈRE DE RETOUR.

Fixer le MONTANT DE RETOUR (SS) à la TABLETTE (G). Utiliser deux VIS TÊTE PLATE 38 mm NOIRES (28).

ÉTAPE 26

REMARQUE : S'assurer de placer le DESSUS DE RETOUR exactement comme il l'est indiqué.

Faire tourner douze VIS D'EXCENTRIQUE AVEC TÊTE EN ANGLE (16) dans les trous exacts illustrés dans le DESSUS DE RETOUR (F).

ÉTAPE 27

REMARQUE : S'assurer de placer le DESSUS DE RETOUR exactement comme il l'est indiqué.

Insérer deux COURTES CHEVILLES EN BOIS (20) dans les trous exacts illustrés dans le DESSUS DE RETOUR (F).

Fixer un RAIL SUPÉRIEUR (R) au DESSUS DE RETOUR (F). Utiliser deux VIS TÊTE PLATE 28 mm NOIRES (29).

REMARQUE : S'assurer de bien insérer les COURTES CHEVILLES EN BOIS situées sur le DESSUS DE RETOUR dans les trous du RAIL SUPÉRIEUR.

Fixer deux CONSOLES (21) au DESSUS DE RETOUR (F). Utiliser quatre VIS TÊTE GOUTTE DE SUIF 13 mm NOIRES (31).

À l'aide d'une perceuse et d'un foret de 5 mm, finir de percer complètement les quatre trous indiqués dans le DESSUS DE RETOUR (F).

ÉTAPE 28

Fixer les MONTANTS (P et Q) au DESSUS DE RETOUR (F). Utiliser quatre VIS TÊTE PLATE 38 mm NOIRES (28).

ÉTAPE 29

Avec l'aide d'une autre personne, relever, avec précaution, l'assemblage du retour dans sa position verticale et placer l'élément dans son emplacement final.

Insérer deux LONGUES CHEVILLES EN BOIS (19) dans les trous exacts illustrés dans le MONTANT DE RETOUR (SS) et de l'EXTRÉMITÉ DROITE DE RETOUR (ZZ).

Fixer le DESSUS DE RETOUR (F) aux MONTANTS (C et SS), PETIT ARRIÈRE DE RETOUR (L), ARRIÈRE DE RETOUR (N) et à l'EXTRÉMITÉ DROITE DE RETOUR (ZZ). Serrer douze EXCENTRIQUES ESCAMOTABLES.

REMARQUE : S'assurer de bien insérer les CHEVILLES EN BOIS situées sur le MONTANT DE RETOUR et l'EXTRÉMITÉ DROITE DE RETOUR dans les trous du DESSUS DE RETOUR.

ÉTAPE 30

REMARQUE : S'assurer de positionner l'ARRIÈRE (XX) exactement comme il l'est indiqué.

Faire tourner six VIS D'EXCENTRIQUE AVEC TÊTE EN ANGLE (16) dans les trous exacts illustrés dans l'ARRIÈRE (XX).

Enfoncer sept EXCENTRIQUES ESCAMOTABLES (15) dans les trous exacts illustrés dans l'ARRIÈRE (XX).

Décoller deux APPLIQUÉS de la FICHE D'APPLIQUÉS (26) et coller les sur les deux gros trou de l'ARRIÈRE (XX).

ÉTAPE 31

REMARQUE : L'assistance d'autrui peut être nécessaire à cette étape.

Insérer quatre LONGUES CHEVILLES EN BOIS (19) dans les trous exacts illustrés dans l'ARRIÈRE (XX).

Fixer l'ARRIÈRE (XX) à la TABLETTE (G), au DESSOUS (VV) et à l'ARRIÈRE DE RETOUR (N). Serrer six EXCENTRIQUES ESCAMOTABLES et quatre VIS TÊTE MINCE 14 mm (34) à travers les CONSOLES DE PID situées sur le DESSOUS et dans l'ARRIÈRE.

REMARQUE : S'assurer de bien insérer les CHEVILLES EN BOIS de l'ARRIÈRE dans les trous du DESSOUS et de l'ARRIÈRE DE RETOUR.

Fixer le DESSUS DE RETOUR (F) à l'ARRIÈRE (WW). Utiliser quatre VIS TÊTE GOUTTE DE SUIF 13 mm NOIRES (31) à travers les CONSOLES sur le DESSUS DE RETOUR et dans l'ARRIÈRE.

ÉTAPE 32

Faire tourner deux VIS D'EXCENTRIQUE AVEC TÊTE EN ANGLE (16) dans les trous exacts illustrés dans l'EXTRÉMITÉ DROITE (QQ).

Insérer deux LONGUES CHEVILLES EN BOIS (19) dans les trous exacts illustrés dans l'EXTRÉMITÉ DROITE (QQ).

ÉTAPE 33

REMARQUE : L'assistance d'autrui peut être nécessaire à cette étape.

Fixer l'EXTRÉMITÉ DROITE (QQ) à l'ARRIÈRE (WW). Serrer deux EXCENTRIQUES ESCAMOTABLES.

REMARQUE : S'assurer de bien insérer les CHEVILLES EN BOIS de l'EXTRÉMITÉ DROITE dans les trous de l'ARRIÈRE.

ÉTAPE 34

REMARQUE : S'assurer de positionner le DESSUS (TT) exactement comme il l'est indiqué.

Faire tourner quinze VIS D'EXCENTRIQUE AVEC TÊTE EN ANGLE (16) dans les trous exacts illustrés dans le DESSUS (TT).

Insérer ensuite deux COURTES CHEVILLES EN BOIS (20) dans les trous exacts illustrés dans le DESSUS (TT).

Fixer l'autre RAIL SUPÉRIEUR (R) au DESSUS (TT). Utiliser deux VIS TÊTE PLATE 28 mm NOIRES (29).

REMARQUE : S'assurer de bien insérer les COURTES CHEVILLES EN BOIS située sur le DESSUS dans les trous dans le RAIL SUPÉRIEUR.

ÉTAPE 35

Fixer l'ENSEMBLE DE COULISSEUX DE TABLETTE (1) au DESSUS (TT). Utiliser quatre VIS TÊTE LARGE 15 mm NOIRES (30).

REMARQUE : S'assurer d'utiliser le trou central dans les COULISSEUX DE TABLETTE.

ÉTAPE 36

Fixer la TABLETTE DE CLAVIER (O) aux COULISSEUX DE TABLETTE sur le DESSUS (TT). Utiliser quatre VIS TÊTE GOUTTE DE SUIF 14 mm NOIRES (31).

ÉTAPE 37

REMARQUE : L'assistance d'autrui peut être nécessaire à cette étape.

Insérer quatre LONGUES CHEVILLES EN BOIS (19) dans les trous exacts indiqués dans les EXTRÉMITÉS (QQ et RR) et les MONTANTS (P et Q).

Fixer le DESSUS (TT) aux EXTRÉMITÉS (QQ et RR), aux ARRIÈRES (K et XX) et aux MONTANTS (P et Q). Serrer quinze EXCENTRIQUES ESCAMOTABLES.

REMARQUE : S'assurer de bien insérer les CHEVILLES EN BOIS situées sur les EXTRÉMITÉS et MONTANTS dans les trous du DESSUS.

ÉTAPE 38

Insérer vingt PETITES EXCENTRIQUES ESCAMOTABLES (17) dans les CÔTÉS DE TIROIR (Y, Z, BB, CC, GG, HH, JJ et KK).

ÉTAPE 39

Faire tourner vingt VIS D'EXCENTRIQUE AVEC TÊTE DROITE (18) dans les DEVANTS DE TIROIR (U, V, W et X).

ÉTAPE 40

1 Fixer les CÔTÉS DE PETIT TIROIR (Y et Z) au DEVANT DE PETIT TIROIR (U). Serrer quatre EXCENTRIQUES ESCAMOTABLES.

2 Enfiler le FOND DE TIROIR (EE) dans les rainures des CÔTÉS DE PETIT TIROIR (Y et Z) et du DEVANT DE PETIT TIROIR (U).

3 Fixer l'ARRIÈRE DE PETIT TIROIR (AA) aux CÔTÉS DE PETIT TIROIR (Y et Z). Utiliser quatre VIS TÊTE PLATE 38 mm NOIRES (28).

REMARQUE : S'assurer que le FOND DE TIROIR (EE) s'encastre dans la rainure de l'ARRIÈRE DE PETIT TIROIR (AA).

ÉTAPE 41

Fixer les COULISSES DE TIROIR (8 et 9) aux CÔTÉS DE PETIT TIROIR (Y et Z). Utiliser six VIS TÊTE PLATE 13 mm NOIRES (32).

Fixer une POIGNÉE (22) sur le DEVANT DE PETIT TIROIR (U). Utiliser deux VIS TÊTE PLATE 13 mm ARGENTÉES (33).

ÉTAPE 42

1 Fixer les CÔTÉS DE TIROIR (BB et CC) au DEVANT DE TIROIR (V). Serrer quatre EXCENTRIQUES ESCAMOTABLES.

2 Enfiler le FOND DE TIROIR (EE) dans les rainures des CÔTÉS DE TIROIR (BB et CC) et du DEVANT DE TIROIR (V).

3 Fixer l'ARRIÈRE DE TIROIR (DD) aux CÔTÉS DE TIROIR (BB et CC). Utiliser quatre VIS TÊTE PLATE 38 mm NOIRES (28).

REMARQUE : S'assurer que le FOND DE TIROIR (EE) s'encastre dans la rainure de l'ARRIÈRE DE TIROIR (DD).

Répéter cette étape pour l'autre DEVANT DE TIROIR (V), CÔTÉS DE TIROIR (BB et CC), ARRIÈRE DE TIROIR (DD) et FOND DE TIROIR (EE).

ÉTAPE 43

Fixer les COULISSES DE TIROIR (8 et 9) aux CÔTÉS DE TIROIR (BB et CC). Utiliser six VIS TÊTE PLATE 13 mm NOIRES (32).

Fixer une POIGNÉE (22) au DEVANT DE TIROIR (V). Utiliser deux VIS TÊTE PLATE 13 mm ARGENTÉES (33).

Répéter cette étape pour l'autre tiroir.

ÉTAPE 44

1 Fixer les CÔTÉS DE GRAND TIROIR (GG et HH) au DEVANT DE GRAND TIROIR (W). Serrer quatre EXCENTRIQUES ESCAMOTABLES.

2 Enfiler le FOND DE GRAND TIROIR (FF) dans les rainures des CÔTÉS DE GRAND TIROIR (GG et HH) et du DEVANT DE GRAND TIROIR (W).

3 Fixer l'ARRIÈRE DE GRAND TIROIR (II) aux CÔTÉS DE GRAND TIROIR (GG et HH). Utiliser quatre VIS TÊTE PLATE 38 mm NOIRES (28).

REMARQUE : S'assurer que le FOND DE GRAND TIROIR (FF) s'encastre dans la rainure de l'ARRIÈRE DE GRAND TIROIR (II).

ÉTAPE 45

Fixer deux LONGUES COULISSES D'EXTENSION (3) aux CÔTÉS DE GRAND TIROIR (GG et HH). Utiliser six VIS TÊTE GOUTTE DE SUIF 13 mm NOIRES (31).

Fixer une POIGNÉE (22) au DEVANT DE GRAND TIROIR (W). Utiliser deux VIS TÊTE PLATE 13 mm ARGENTÉES (33).

ÉTAPE 46

Enfoncer les ARMATURES LONGUES POUR DOSSIERS (13) sur les CÔTÉS DE GRAND TIROIR (GG et HH).

Enfiler deux SUPPORTS POUR DOSSIERS (11) sur les ARMATURES LONGUES POUR DOSSIERS sur les CÔTÉS DE GRAND TIROIR (GG et HH).

ÉTAPE 47

Fixer la ARMATURE AVANT POUR DOSSIERS (10) au DEVANT DE TIROIR DE RETOUR (X). Utiliser quatre VIS TÊTE GOUTTE DE SUIF 13 mm NOIRES (31).

ÉTAPE 48

1 Fixer les CÔTÉS DE TIROIR DE RETOUR (JJ et KK) au DEVANT DE TIROIR DE RETOUR (X). Serrer quatre EXCENTRIQUES ESCAMOTABLES.

2 Enfiler le FOND DE TIROIR (EE) dans les rainures des CÔTÉS DE TIROIR DE RETOUR (JJ et KK) et du DEVANT DE TIROIR DE RETOUR (X).

3 Fixer l'ARRIÈRE DE GRAND TIROIR (II) aux CÔTÉS DE TIROIR DE RETOUR (JJ et KK). Utiliser quatre VIS TÊTE PLATE 38 mm NOIRES (28).

REMARQUE : S'assurer que le FOND DE TIROIR (EE) s'encastre dans la rainure de l'ARRIÈRE DE GRAND TIROIR (II).

ÉTAPE 49

Fixer deux COULISSES D'EXTENSION (5) aux CÔTÉS DE TIROIR DE RETOUR (JJ et KK). Utiliser six VIS TÊTE GOUTTE DE SUIF 13 mm NOIRES (31).

Fixer une POIGNÉE (22) au DEVANT DE TIROIR DE RETOUR (X). Utiliser deux VIS TÊTE PLATE 13 mm ARGENTÉES (33).

ÉTAPE 50

Enfoncer l'ARMATURE ARRIÈRE POUR DOSSIERS (12) sur l'ARRIÈRE DE GRAND TIROIR (II).

Enfoncer les ARMATURES COURTES POUR DOSSIERS (14) sur les CÔTÉS DE TIROIR DE RETOUR (JJ et KK).

Enfiler les SUPPORTS POUR DOSSIERS (11) sur les ARMATURES POUR DOSSIERS sur le DEVANT DE TIROIR DE RETOUR (X) et l'ARRIÈRE DE GRAND TIROIR (II).

REMARQUE : Les SUPPORTS POUR DOSSIERS peuvent également être placés sur les ARMATURES POUR DOSSIERS sur les CÔTÉS DE TIROIR DE RETOUR (JJ et KK).

ÉTAPE 51

Insérer quatre PASSE-CÂBLES (25) dans les gros trous des MONTANTS (C et SS) et de l'ARRIÈRE DE RETOUR.

Insérer quatre PASSE-CÂBLES AVEC COUVERCLES (24) dans les gros trous des DESSUS (TT et F).

ÉTAPE 52

Placer l'élément dans son emplacement final.

REMARQUE : Pour soulever un coin de l'élément, faire tourner le PATIN RÉGLABLE dans le sens contraire des aiguilles d'une montre. Pour baisser un coin, faire tourner le PATIN RÉGLABLE dans le sens des aiguilles d'une montre.

Pour insérer les TIROIRS (U et V) dans l'élément, abaisser le devant des tiroirs et faire passer les roulettes situées sur les tiroirs derrière les roulettes situées sur l'élément.

Pour insérer les GRANDS TIROIRS (W et X) dans l'élément, aligner les COULISSES D'EXTENSION des tiroirs sur les GLISSIÈRES D'EXTENSION de l'élément et enfoncer les tiroirs dans l'élément jusqu'à ce que les tiroirs soit complètement insérés. Les tiroirs offriront une certaine résistance jusqu'à ce qu'ils soient complètement insérés dans l'élément, glisserait ensuite sans difficulté.

ÉTAPE 53

Décoller les AUTO-COLLANTS de la FICHE D'APPLIQUÉS (26) et coller les sur chaque trou visible, EXCENTRIQUE ESCAMOTABLE ou sur la tête de chaque VIS visible.

REMARQUE : Prière de lire les informations importantes sur la sécurité figurant sur les pages arrière du manuel d'instructions.

Ceci complète l'assemblage. Nettoyer avec un tissu humide. Essuyer.

Use estas instrucciones de ensamblaje en español junto con las figuras paso-a-paso provistas en el folleto inglés. Cada paso en español corresponde al mismo paso en inglés. Se destacan las figuras de cada paso con una tonalidad oscura para mostrar precisamente cual parte se debe montar a la unidad. Compare la "Lista de Part" abajo con la "Part Identification" en el folleto en inglés para familiarizarse con Las partes de ensamblaje.

NOTA: ESTE FOLLETO DE INSTRUCCIONES CONTIENE INFORMACIÓN **IMPORTANTE** SOBRE LA SEGURIDAD. POR FAVOR LEA Y GUÁRDELO PARA REFERENCIA EN EL FUTURO.

ESTAMOS AQUI PARA AYUDAR!

Tratamos de asegurar que su mueble llega en condición excelente. Nuestros representantes de Servicio al Cliente son amables y listos para ayudarle con servicio rápido y eficiente si una parte está defectuosa o ausente (o si necesita ayuda con el ensamblaje). **NO DEVUELVA LA UNIDAD A LA TIENDA.** Llame este número sin cargo:

1-800-445-1527
Lunes a viernes, 9:00 a.m. - 5:30 p.m.
**Hora oficial del Este
(excepto días festivos)**

Si requiere un repuesto de una parte, será enviado dentro de 48 horas (excepto los fines de semana y días festivos)

Para uso exclusivo de Canadá Anote la fecha de comprar esta unidad y guarde el folleto para su referencia futura. Si necesita ponerse en contacto con Sauder en cuanto a esta unidad, refiérase al número de lote y al número de modelo cuando llame a nuestro número gratis.

No. lote: _____

Fecha de compra: _____

LISTA DE PARTES

ITEM	DESCRIPCIÓN	CANTIDAD
NOTA: La parte YY no será utilizado en la mesa auxiliar sobre el ensamblaje derecho.		
C	PARAL	1
F	PANEL SUPERIOR DE MESA AUXILIAR.....	1
G	ESTANTE.....	2
K	DORSO PEQUEÑO.....	1
L	DORSO PEQUEÑO DE MESA AUXILIAR.....	1
N	DORSO DE MESA AUXILIAR.....	1
O	ESTANTE DE TECLADO.....	1
P	PARAL CORTO.....	1
Q	PARAL LARGO.....	1
R	RIEL SUPERIOR.....	2
S	RIOSTRA.....	2
T	RIOSTRA DE MESA AUXILIAR.....	1
U	CARA DE CAJÓN PEQUEÑO.....	1
V	CARA DE CAJÓN.....	2
W	CARA DE CAJÓN GRANDE.....	1
X	CARA DE CAJÓN DE MESA AUXILIAR.....	1
Y	LADO DERECHO DE CAJÓN PEQUEÑO.....	1
Z	LADO IZQUIERDO DE CAJÓN PEQUEÑO.....	1
AA	DORSO DE CAJÓN PEQUEÑO.....	1
BB	LADO DERECHO DE CAJÓN.....	2
CC	LADO IZQUIERDO DE CAJÓN.....	2
DD	DORSO DE CAJÓN.....	2
EE	FONDO DE CAJÓN.....	4
FF	FONDO DE CAJÓN GRANDE.....	1
GG	LADO DERECHO DE CAJÓN GRANDE.....	1
HH	LADO IZQUIERDO DE CAJÓN GRANDE.....	1
II	DORSO DE CAJÓN GRANDE.....	2
JJ	LADO DERECHO DE CAJÓN DE MESA AUXILIAR.....	1
KK	LADO IZQUIERDO DE CAJÓN DE MESA AUXILIAR.....	1
LL	RIEL INFERIOR LARGO.....	2
MM	RIEL INFERIOR.....	4
NN	PATA.....	11
QQ	EXTREMO DERECHO.....	1
RR	EXTREMO IZQUIERDO.....	1
SS	PARAL DE MESA AUXILIAR.....	1
TT	PANEL SUPERIOR.....	1
UU	FONDO PEQUEÑO.....	1
VV	FONDO.....	1
WW	FONDO PEQUEÑO DE MESA AUXILIAR.....	1
XX	DORSO.....	1
YY	EXTREMO IZQUIERDO DE MESA AUXILIAR.....	1
ZZ	EXTREMO DERECHO DE MESA AUXILIAR.....	1

LISTA DE PARTES

ITEM	DESCRIPCIÓN	CANTIDAD
1	CONJUNTO DE CORREDERAS DE ESTANTE.....	1
2	RIEL DE EXTENSIÓN LARGO.....	2
3	CORREDERA DE EXTENSIÓN LARGA.....	2
(JUEGO DE EXTENSIÓN SE MUESTRA POR SEPARADO)		
4	RIEL DE EXTENSIÓN.....	2
5	CORREDERA DE EXTENSIÓN.....	2
6	RIEL DERECHO DE GABINETE.....	3
(JUEGO DE EXTENSIÓN SE MUESTRA POR SEPARADO)		
7	RIEL IZQUIERDO DE GABINETE.....	3
8	CORREDERA DERECHA DE CAJÓN.....	3
9	CORREDERA IZQUIERDA DE CAJÓN.....	3
10	CORRIMIENTO DE ARCHIVERO DELANTERO.....	1
11	SOPORTE DE ARCHIVERO.....	4
12	CORRIMIENTO DE ARCHIVERO POSTERIOR.....	1
13	CORRIMIENTO LARGO DE ARCHIVERO.....	2
14	CORRIMIENTO CORTO DE ARCHIVERO.....	2
15	EXCÉNTRICO ESCONDIDO GRANDE.....	57
16	BIELA DE EXCÉNTRICO CON CABEZA ANGULADA.....	57
17	EXCÉNTRICO ESCONDIDO PEQUEÑO.....	20
18	BIELA DE EXCÉNTRICO CON CABEZA RECTA.....	20
(No abra las piezas 17 y 18 hasta que esté listo para montar los cajones.)		
19	PASADOR DE MADERA LARGO.....	40
20	PASADOR DE MADERA CORTO.....	12
21	SOPORTE.....	2
22	TIRADOR.....	5
23	DESLIZAMIENTO AJUSTABLE.....	11
24	OJAL CON CUBIERTA.....	4
26	TARJETA CON APLICACIONES.....	1
27	TARJETA CON APLICACIONES LARGA.....	1
35	SOPORTE DE PATA.....	10
28	TORNILLO NEGRO DE CABEZA PERDIDA de 38 mm.....	44
29	TORNILLO NEGRO DE CABEZA PERDIDA de 28 mm.....	18
30	TORNILLO NEGRO DE CABEZA GRANDE de 15 mm.....	4
31	TORNILLO NEGRO DE CABEZA REDONDA de 13 mm.....	40
32	TORNILLO NEGRO DE CABEZA PERDIDA de 13 mm.....	36
33	TORNILLO PLATEADO DE CABEZA PERDIDA de 13 mm.....	10
34	TORNILLO DE CABEZA DE DISCO de 14 mm.....	40

PASO 1

Ensamble la unidad sobre un piso alfombrado o sobre el cartón vacío para evitar rayar la unidad o el piso.

Empuje cincuenta EXCÉNTRICOS ESCONDIDOS (15) en los EXTREMOS (QQ y RR), el PARAL DE MESA AUXILIAR (SS), los ESTANTES (G), el FONDO (VV), los DORSOS (K y L), el DORSO DE MESA AUXILIAR (N), el PARAL CORTO (P), el PARAL LARGO (Q), las RIOSTRAS (S y T) y el EXTREMO DERECHO DE MESA AUXILIAR (ZZ).

PASO 2

Atornille catorce BIELAS DE EXCÉNTRICO CON CABEZA ANGULADA (16) dentro de los agujeros correspondientes indicados de los EXTREMOS (QQ y RR), del PARAL (C), y el EXTREMO DERECHO DE MESA AUXILIAR (ZZ).

PASO 3

Fije ocho SOPORTES DE PATA (35) al FONDO PEQUEÑO (UU y WW). Utilice dieciséis TORNILLOS DE CABEZA DE DISCO de 14 mm (34).

Separe una pegatina de la TARJETA CON APLICACIONES GRANDE (27) y aplique la pegatina sobre el agujero grande en el FONDO (VV).

PASO 4

Gire ocho PATAS (NN) entre los FONDOS PEQUEÑOS (UU y WW).

NOTA: No apriete los PIES en exceso.

A continuación, gire ocho NIVELADORES (23) en las PATAS (NN).

NOTA: Gire e inserte por completo los DESLIZAMIENTOS AJUSTABLES. Se realizarán ajustes a la pata después de que la unidad esté en posición vertical.

PASO 5

Inserte cuatro PASADORES DE MADERA CORTOS (20) en los FONDOS PEQUEÑOS (UU y WW).

Fije cuatro RIELES INFERIORES (MM) a los FONDOS PEQUEÑOS (UU y WW). Utilice ocho TORNILLOS NEGROS DE CABEZA PERDIDA de 28 mm (29).

NOTA: Asegúrese de que los PASADORES DE MADERA CORTOS de los FONDOS PEQUEÑOS se inserten en los RIELES INFERIORES.

PASO 6

Separe las CORREDERAS DE EXTENSIÓN LARGAS (3) de los RIELES DE EXTENSIÓN LARGOS (2) como se muestra en el diagrama ampliado más abajo. Prepárese, las piezas son grasientas.

Fije dos RIELES DE EXTENSIÓN LARGOS (2) a los EXTREMOS (QQ y RR). Utilice seis TORNILLOS NEGROS DE CABEZA REDONDA de 13 mm (31).

NOTA: Para cada RIEL DE EXTENSIÓN, atornille un TORNILLO dentro del agujero indicado en el diagrama ampliado. A continuación deslice el cartucho interno del RIEL DE EXTENSIÓN hacia el interior para encontrar los otros agujeros que se alinean con los agujeros de los EXTREMOS. Atornille un TORNILLO dentro de este agujero.

NOTA: Las CORREDERAS DE EXTENSIÓN LARGOS se utilizarán más tarde para el CAJÓN GRANDE.

PASO 7

Fije los RIELES DE GABINETE (6 y 7) a los EXTREMOS (QQ y RR). Utilice doce TORNILLOS NEGROS DE CABEZA PERDIDA de 13 mm (32).

PASO 8

Inserte dos PASADORES DE MADERA LARGOS (19) dentro de los agujeros correspondientes indicados del EXTREMO IZQUIERDO (RR).

Fije el FONDO PEQUEÑO (UU) al EXTREMO IZQUIERDO (RR). Utilice cuatro TORNILLOS DE CABEZA DE DISCO de 14 mm (34) a través de los SOPORTES DE PATA sujetos al FONDO PEQUEÑO (UU) y en el EXTREMO IZQUIERDO.

NOTA: Asegúrese de insertar los PASADORES DE MADERA del EXTREMO IZQUIERDO en los agujeros del FONDO PEQUEÑO.

PASO 9

Inserte cuatro PASADORES DE MADERA LARGOS (19) dentro de los agujeros correspondientes indicados del EXTREMO IZQUIERDO (RR).

Fije el DORSO PEQUEÑO (K) a las RIOSTRAS (S) y al EXTREMO IZQUIERDO (RR). Apriete cuatro EXCÉNTRICOS ESCONDIDOS.

NOTA: Asegúrese de que los PASADORES DE MADERA LARGOS en el EXTREMO IZQUIERDO se introduzca en el DORSO PEQUEÑO y en las RIOSTRAS.

Fije el DORSO PEQUEÑO (K) al FONDO PEQUEÑO (UU). Utilice dos TORNILLOS NEGROS DE CABEZA PERDIDA de 38 mm (28).

PASO 10

Inserte seis PASADORES DE MADERA LARGOS (19) dentro del EXTREMO DERECHO (QQ).

Fije el EXTREMO DERECHO (QQ) al DORSO PEQUEÑO (K) y a las RIOSTRAS (S). Apriete cuatro EXCÉNTRICOS ESCONDIDOS.

Fije el EXTREMO DERECHO (QQ) al FONDO PEQUEÑO (UU). Utilice cuatro TORNILLOS DE CABEZA DE DISCO de 14 mm (34) a través de los SOPORTES DE PATA sujetos al FONDO PEQUEÑO y en el EXTREMO DERECHO.

NOTA: Asegúrese de que los PASADORES DE MADERA LARGOS en el EXTREMO DERECHO se inserten dentro de los agujeros del FONDO PEQUEÑO, DORSO PEQUEÑO y de las RIOSTRAS.

PASO 11

Atornille seis BIELAS DE EXCÉNTRICO CON CABEZA ANGULADA (16) dentro de los agujeros correspondientes indicados del PARAL DE MESA AUXILIAR (SS).

PASO 12

Separe las CORREDERAS DE EXTENSIÓN (5) de los RIELES DE EXTENSIÓN (4) como se muestra en el diagrama ampliado mas abajo. Prepárese, las piezas son grasientas.

Fije dos RIELES DE EXTENSIÓN (4) al PARAL DE MESA AUXILIAR (SS) y al EXTREMO DERECHO DE MESA AUXILIAR (ZZ). Utilice seis TORNILLOS NEGROS DE CABEZA REDONDA de 13 mm (31).

NOTA: Para cada RIEL DE EXTENSIÓN, atornille un TORNILLO dentro del agujero indicado en el diagrama ampliado. A continuación, deslice el cartucho interno del RIEL DE EXTENSIÓN hacia el interior para encontrar los otros agujeros que se alinean con los agujeros del PARAL y del EXTREMO. Atornille un TORNILLO dentro de este agujero.

NOTA: Las CORREDERAS DE EXTENSIÓN se utilizarán más tarde para el CAJÓN DE MESA AUXILIAR.

PASO 13

Fije los RIELES DE GABINETE (6 y 7) al PARAL DE MESA AUXILIAR (SS) y al EXTREMO DERECHO DE MESA AUXILIAR (ZZ). Utilice seis TORNILLOS NEGROS DE CABEZA PERDIDA de 13 mm (32).

PASO 14

Fije el DORSO DE MESA AUXILIAR (L) al FONDO PEQUEÑO DE MESA AUXILIAR (WW). Utilice dos TORNILLOS NEGROS DE CABEZA PERDIDA de 38 mm (28).

PASO 15

Inserte cuatro PASADORES DE MADERA LARGOS (19) dentro de los agujeros correspondientes indicados del PARAL DE MESA AUXILIAR (SS).

Fije el FONDO PEQUEÑO DE MESA AUXILIAR (WW) y el DORSO PEQUEÑO DE MESA AUXILIAR (L) al PARAL DE MESA AUXILIAR (SS). Apriete dos EXCÉNTRICOS ESCONDIDOS y utilice cuatro TORNILLOS DE CABEZA DE DISCO de 14 mm (34) a través de los SOPORTES DE PATA sujetados al FONDO PEQUEÑO DE MESA AUXILIAR y en el PARAL DE MESA AUXILIAR.

NOTA: Asegúrese de que los PASADORES DE MADERA LARGOS en el PARAL DE MESA AUXILIAR se inserten dentro de los agujeros del FONDO PEQUEÑO DE MESA AUXILIAR y DORSO PEQUEÑO DE MESA AUXILIAR.

PASO 16

Fije la RIOSTRA DE MESA AUXILIAR (T) al PARAL DE MESA AUXILIAR (SS). Apriete dos EXCÉNTRICOS ESCONDIDOS.

PASO 17

Inserte cuatro PASADORES DE MADERA LARGOS (19) en el EXTREMO DERECHO DE MESA AUXILIAR (ZZ).

Fije el EXTREMO IZQUIERDO DE MESA AUXILIAR (ZZ) al DORSO PEQUEÑO DE MESA AUXILIAR (L) y a la RIOSTRA DE MESA AUXILIAR (T). Apriete cuatro EXCÉNTRICOS ESCONDIDOS.

Fije el EXTREMO DERECHO DE MESA AUXILIAR (ZZ) al FONDO PEQUEÑO DE MESA AUXILIAR (WW). Utilice cuatro TORNILLOS DE CABEZA DE DISCO de 14 mm (34) a través de los SOPORTES DE PATA sujetados al FONDO PEQUEÑO DE MESA AUXILIAR y en el EXTREMO DERECHO DE MESA AUXILIAR.

NOTA: Asegúrese de que los PASADORES DE MADERA LARGOS en el EXTREMO IZQUIERDO DE MESA AUXILIAR se inserten dentro de los agujeros del FONDO PEQUEÑO DE MESA AUXILIAR, del DORSO PEQUEÑO DE MESA AUXILIAR y de la RIOSTRA DE MESA AUXILIAR.

PASO 18

Fije el PARAL (C) a uno de los ESTANTES (G). Utilice dos TORNILLOS NEGROS DE CABEZA PERDIDA de 38 mm (28).

PASO 19

Fije el otro ESTANTE (G) al PARAL (C). Apriete dos EXCÉNTRICOS ESCONDIDOS.

PASO 20

Fije dos SOPORTES DE PATA (35) al FONDO (VV). Utilice cuatro TORNILLOS DE CABEZA DE DISCO de 14 mm (34).

Fije el FONDO (VV) al PARAL (C). Utilice dos TORNILLOS NEGROS DE CABEZA PERDIDA de 38 mm (28).

PASO 21

Cuidadosamente voltee la unidad para que repose sobre los bordes delanteros.

Inserte cuatro PASADORES DE MADERA LARGOS (19) dentro de los agujeros correspondientes indicados del DORSO DE MESA AUXILIAR (N).

Fije el DORSO DE MESA AUXILIAR (N) al PARAL (C), a los ESTANTES (G) y al FONDO (VV). Utilice diez TORNILLOS NEGROS DE CABEZA PERDIDA de 38 mm (28).

NOTA: Asegúrese de insertar los PASADORES DE MADERA LARGOS sujetados al DORSO DE MESA AUXILIAR en los agujeros del PARAL y de los ESTANTES.

PASO 22

Con cuidado, apoye el ensamblaje sobre su respaldo.

Atornille tres PATAS (NN) al FONDO (VV).

NOTA: No apriete los PIES en exceso.

A continuación, gire tres DESLIZAMIENTOS AJUSTABLES (23) en las PATAS (NN).

NOTA: Gire e inserte por completo los DESLIZAMIENTOS AJUSTABLES. Se realizarán ajustes a la pata después de que la unidad esté en posición vertical.

PASO 23

Inserte cuatro PASADORES DE MADERA CORTOS (20) en el FONDO (VV).

Fije dos RIELES INFERIORES LARGOS (LL) al FONDO (VV). Utilice seis TORNILLOS NEGROS DE CABEZA PERDIDA de 28 mm (29).

NOTA: Asegúrese de que los PASADORES DE MADERA CORTOS sujetados al FONDO se inserten dentro de los agujeros de los RIELES INFERIORES LARGOS.

PASO 24

Atornille cuatro BIELAS DE EXCÉNTRICO CON CABEZA ANGULADA (16) dentro de los agujeros correspondientes indicados del PARAL DE MESA AUXILIAR (SS).

Inserte cuatro PASADORES DE MADERA LARGOS (19) dentro de los agujeros correspondientes indicados del PARAL DE MESA AUXILIAR (SS).

PASO 25

NOTA: Usted puede necesitar la ayuda de alguien para este paso.

Fije el PARAL DE MESA AUXILIAR (SS) al FONDO (VV) y al DORSO DE MESA AUXILIAR (N). Apriete cuatro EXCÉNTRICOS ESCONDIDOS.

NOTA: Asegúrese de que los PASADORES DE MADERA LARGOS en el PARAL DE MESA AUXILIAR se inserten dentro de los agujeros del ESTANTE, FONDO y DORSO DE MESA AUXILIAR.

Fije el PARAL DE MESA AUXILIAR (SS) al ESTANTE (G). Utilice dos TORNILLOS NEGROS DE CABEZA PERDIDA de 38 mm (28).

PASO 26

NOTA: Asegúrese de que el PANEL SUPERIOR DE MESA AUXILIAR (F) está dispuesto exactamente como se muestra.

Atornille doce BIELAS DE EXCÉNTRICO CON CABEZA ANGULADA (16) dentro de los agujeros correspondientes indicados del PANEL SUPERIOR DE MESA AUXILIAR (F).

PASO 27

NOTA: Asegúrese de que el PANEL SUPERIOR DE MESA AUXILIAR está dispuesto exactamente como se muestra.

Inserte dos PASADORES DE MADERA CORTOS (20) dentro de los agujeros correspondientes indicados del PANEL SUPERIOR DE MESA AUXILIAR (F).

Fije el RIEL SUPERIOR (R) al PANEL SUPERIOR DE MESA AUXILIAR (F). Utilice dos TORNILLOS NEGROS DE CABEZA PERDIDA de 28 mm (29).

NOTA: Asegúrese de que los PASADORES DE MADERA CORTOS fijados al PANEL SUPERIOR DE MESA AUXILIAR se inserten dentro de los agujeros del RIEL SUPERIOR.

Fije dos SOPORTES (21) al PANEL SUPERIOR DE MESA AUXILIAR (F). Utilice cuatro TORNILLOS NEGROS DE CABEZA REDONDA de 13 mm (31).

Con un taladro y una broca de 5 mm, termine de taladrar completamente los cuatro agujeros correspondientes indicados en el PANEL SUPERIOR DE MESA AUXILIAR (F).

PASO 28

Fije los PARALES (P y Q) al PANEL SUPERIOR DE MESA AUXILIAR (F). Use cuatro TORNILLOS NEGROS DE CABEZA PERDIDA de 38 mm (28).

PASO 29

Con la ayuda de otra persona, cuidadosamente ponga el ensamblaje de mesa auxiliar en posición vertical y coloque su unidad en su posición final.

Inserte dos PASADORES DE MADERA LARGOS (19) dentro de los agujeros correspondientes indicados del PARAL DE MESA AUXILIAR (SS) y del EXTREMO DERECHO DE MESA AUXILIAR (ZZ).

Fije el PANEL SUPERIOR DE MESA AUXILIAR (F) a los PARALES (C y SS), al DORSO PEQUEÑO DE MESA AUXILIAR (L), al DORSO DE MESA AUXILIAR (N) y al EXTREMO DERECHO DE MESA AUXILIAR (ZZ). Apriete doce EXCÉNTRICOS ESCONDIDOS.

NOTA: Asegúrese de que los PASADORES DE MADERA sujetados al PARAL DE MESA AUXILIAR y al EXTREMO IZQUIERDO DE MESA AUXILIAR se inserten dentro de los agujeros del PANEL SUPERIOR DE MESA AUXILIAR.

PASO 30

NOTA: Asegúrese de posicionar el DORSO (XX) tal y como se muestra.

Atornille seis BIELAS DE EXCÉNTRICO CON CABEZA ANGULADA (16) dentro de los agujeros correspondientes indicados del DORSO (XX).

Empuje siete EXCÉNTRICOS ESCONDIDOS (15) entre los agujeros correspondientes indicados del DORSO (XX).

Separe dos APLICACIONES de la TARJETA CON APLICACIONES (26) y aplique las sobre los dos agujeros grande en el DORSO (XX).

PASO 31

NOTA: Usted puede necesitar la ayuda de alguien para este paso.

Inserte cuatro PASADORES DE MADERA LARGOS (19) dentro de los agujeros correspondientes indicados del DORSO (XX).

Fije el DORSO (XX) al ESTANTE (G), al FONDO (VV) y al DORSO DE MESA AUXILIAR (N). Apriete seis EXCÉNTRICOS ESCONDIDOS y pase cuatro TORNILLOS DE CABEZA DE DISCO de 14 mm (34) a través de los SOPORTES DE PATA sobre el FONDO y en el DORSO.

NOTA: Asegúrese de insertar los PASADORES DE MADERA del DORSO dentro de los agujeros del FONDO y del DORSO DE MESA AUXILIAR.

Fije el PANEL SUPERIOR DE MESA AUXILIAR (F) al DORSO (XX). Utilice cuatro TORNILLOS NEGROS DE CABEZA REDONDA de 13 mm (1S) a través de los SOPORTES sujetados al PANEL SUPERIOR DE MESA AUXILIAR y en el DORSO.

PASO 32

Atornille dos BIELAS DE EXCÉNTRICO CON CABEZA ANGULADA (16) dentro de los agujeros correspondientes indicados del EXTREMO DERECHO (QQ).

Inserte dos PASADORES DE MADERA LARGOS (19) dentro de los agujeros correspondientes indicados del EXTREMO DERECHO (QQ).

PASO 33

NOTA: Usted puede necesitar la ayuda de alguien para este paso.

Fije el EXTREMO DERECHO (QQ) al DORSO UU)). Apriete dos EXCÉNTRICOS ESCONDIDOS.

NOTA: Asegúrese de insertar los PASADORES DE MADERA del EXTREMO DERECHO en los agujeros del DORSO.

PASO 34

NOTA: Asegúrese de posicionar el PANEL SUPERIOR (TT) tal y como se muestra.

Atornille quince BIELAS DE EXCÉNTRICO CON CABEZA ANGULADA (16) dentro de los agujeros correspondientes indicados del PANEL SUPERIOR (TT).

A continuación, inserte dos PASADORES DE MADERA CORTOS (20) dentro de los agujeros correspondientes indicados del PANEL SUPERIOR (TT).

Fije el otro RIEL SUPERIOR (R) al PANEL SUPERIOR (TT). Utilice dos TORNILLOS NEGROS DE CABEZA PERDIDA de 28 mm (29).

NOTA: Asegúrese de que los PASADORES DE MADERA CORTOS sujetos al PANEL SUPERIOR se inserten dentro de los agujeros del RIEL SUPERIOR.

PASO 35

Fije el CONJUNTO DE CORREDERAS DE ESTANTE (1) al PANEL SUPERIOR (TT). Utilice cuatro TORNILLOS NEGROS DE CABEZA GRANDE de 15 mm (30).

NOTA: Asegúrese de utilizar el agujero central en las CORREDERAS DE ESTANTE.

PASO 36

Fije el ESTANTE DE TECALDO (O) a las CORREDERAS DE ESTANTE sobre el PANEL SUPERIOR (TT). Utilice cuatro TORNILLOS NEGROS DE CABEZA REDONDA de 14 mm (31).

PASO 37

NOTA: Usted puede necesitar la ayuda de alguien para este paso.

Inserte cuatro PASADORES DE MADERA LARGOS (19) dentro de los agujeros correspondientes indicados de los EXTREMOS (QQ y RR) y de los PARALES (P y Q).

Fije el PANEL SUPERIOR (TT) a los EXTREMOS (QQ y RR), a los DORSOS (K y M) y a los PARALES (P y Q). Apriete quince EXCÉNTRICOS ESCONDIDOS.

NOTA: Asegúrese de que los PASADORES DE MADERA sujetos a los EXTREMOS y a los PARALES se inserten dentro de los agujeros del PANEL SUPERIOR.

PASO 38

Inserte veinte EXCÉNTRICOS ESCONDIDOS PEQUEÑOS (17) en los LADOS DE CAJÓN (Y, Z, BB, CC, GG, HH, JJ y KK).

PASO 39

Atornille veinte BIELAS DE EXCÉNTRICO CON CABEZA RECTA (18) en las CARAS DE CAJÓN (U, V, W y X).

PASO 40

1 Fije los LADOS DE CAJÓN PEQUEÑO (Y y Z) a la CARA DE CAJÓN PEQUEÑO (U). Apriete cuatro EXCÉNTRICOS ESCONDIDOS.

2 Deslice el FONDO DE CAJÓN (EE) dentro de las ranuras de los LADOS DE CAJÓN PEQUEÑO (Y y Z) y de la CARA DE CAJÓN PEQUEÑO (U).

3 Fije el DORSO DE CAJÓN PEQUEÑO (AA) a los LADOS DE CAJÓN PEQUEÑO (Y y Z). Use cuatro TORNILLOS NEGROS DE CABEZA PERDIDA de 38 mm (28).

NOTA: Asegúrese de que el FONDO DE CAJÓN (EE) ajuste dentro de la ranura del DORSO DE CAJÓN PEQUEÑO (AA).

PASO 41

Fije las CORREDERAS DE CAJÓN (8 y 9) a los LADOS DE CAJÓN PEQUEÑO (Y y Z). Utilice seis TORNILLOS NEGROS DE CABEZA PERDIDA de 13 mm (32).

Fije un TIRADOR (22) a la CARA DE CAJÓN PEQUEÑO (U). Utilice dos TORNILLOS PLATEADOS DE CABEZA PERDIDA de 13 mm (33).

PASO 42

1 Fije los LADOS DE CAJÓN (BB y CC) a la CARA DE CAJÓN (V). Apriete cuatro EXCÉNTRICOS ESCONDIDOS.

2 Deslice el FONDO DE CAJÓN (EE) en las ranuras de los LADOS DE CAJÓN (BB y CC) y de la CARA DE CAJÓN (V).

3 Fije el DORSO DE CAJÓN (DD) a los LADOS DE CAJÓN (BB y CC). Use cuatro TORNILLOS NEGROS DE CABEZA PERDIDA de 38 mm (28).

NOTA: Asegúrese de que el FONDO DE CAJÓN (EE) ajuste dentro de la ranura del DORSO DE CAJÓN (DD).

Repita este paso para la CARA DE CAJÓN (V), los LADOS DE CAJÓN (BB y CC), el DORSO DE CAJÓN (DD) y el FONDO DE CAJÓN (EE).

PASO 43

Fije las CORREDERAS DE CAJÓN (8 y 9) a los LADOS DE CAJÓN (BB y CC). Utilice seis TORNILLOS NEGROS DE CABEZA PERDIDA de 13 mm (32).

Fije un TIRADOR (22) a la CARA DE CAJÓN (V). Utilice dos TORNILLOS PLATEADOS DE CABEZA PERDIDA de 13 mm (33).

Repita este paso para el otro cajón.

PASO 44

1 Fije los LADOS DE CAJÓN GRANDE (GG y HH) a la CARA DE CAJÓN GRANDE (W). Apriete cuatro EXCÉNTRICOS ESCONDIDOS.

2 Deslice el FONDO DE CAJÓN GRANDE (FF) dentro de las ranuras de los LADOS DE CAJÓN GRANDE (GG y HH) y de la CARA DE CAJÓN GRANDE (W).

3 Fije el DORSO DE CAJÓN GRANDE (II) a los LADOS DE CAJÓN GRANDE (GG y HH). Use cuatro TORNILLOS NEGROS DE CABEZA PERDIDA de 38 mm (28).

NOTA: Asegúrese de que el FONDO DE CAJÓN GRANDE (FF) ajuste dentro de la ranura del DORSO DE CAJÓN GRANDE (II).

PASO 45

Fije dos CORREDERAS DE EXTENSIÓN LARGAS (3) a los LADOS DE CAJÓN GRANDE (GG y HH). Utilice seis TORNILLOS NEGROS DE CABEZA REDONDA de 13 mm (31).

Fije un TIRADOR (22) a la CARA DE CAJÓN GRANDE (W). Utilice dos TORNILLOS PLATEADOS DE CABEZA PERDIDA de 13 mm (33).

PASO 46

Empuje los CORRIMIENTOS LARGOS DEL ARCHIVERO (13) sobre los LADOS DE CAJÓN GRANDE (GG y HH).

Deslice dos SOPORTES DE ARCHIVERO (10) sobre los CORRIMIENTOS LARGOS DEL ARCHIVERO sobre los LADOS DE CAJÓN GRANDE (GG y HH).

PASO 47

Fije un CORRIMIENTO DE ARCHIVERO DELANTERO (10) a la CARA DE CAJÓN DE MESA AUXILIAR (X). Utilice cuatro TORNILLOS NEGROS DE CABEZA REDONDA de 13 mm (31).

PASO 48

1 Fije los LADOS DE CAJÓN DE MESA AUXILIAR (JJ y KK) a la CARA DE CAJÓN DE MESA AUXILIAR (X). Apriete cuatro EXCÉNTRICOS ESCONDIDOS.

2 Deslice el FONDO DE CAJÓN (EE) en las ranuras de los LADOS DE CAJÓN DE MESA AUXILIAR (JJ y KK) y de la CARA DE CAJÓN DE MESA AUXILIAR (X).

3 Fije el DORSO DE CAJÓN GRANDE (II) a los LADOS DE CAJÓN DE MESA AUXILIAR (JJ y KK). Use cuatro TORNILLOS NEGROS DE CABEZA PERDIDA de 38 mm (28).

NOTA: Asegúrese de que el FONDO DE CAJÓN (EE) ajuste dentro de la ranura del DORSO DE CAJÓN GRANDE (II).

PASO 49

Fije dos CORREDERAS DE EXTENSIÓN (5) a los LADOS DE CAJÓN DE MESA AUXILIAR (JJ y KK). Utilice seis TORNILLOS NEGROS DE CABEZA REDONDA de 13 mm (31).

Fije un TIRADOR (22) a la CARA DE CAJÓN DE MESA AUXILIAR (X). Utilice dos TORNILLOS PLATEADOS DE CABEZA PERDIDA de 13 mm (33).

PASO 50

Empuje el CORRIMIENTO DE ARCHIVERO POSTERIOR (12) sobre el DORSO DE CAJÓN GRANDE (II).

Empuje los CORRIMIENTOS CORTOS DEL ARCHIVERO (14) sobre los LADOS DE CAJÓN DE MESA AUXILIAR (JJ y KK).

Deslice los SOPORTES DE ARCHIVERO (11) sobre los CORRIMIENTOS DEL ARCHIVERO de la CARA DE CAJÓN DE MESA AUXILIAR (X) y del DORSO DE CAJÓN GRANDE (II).

NOTA: Los SOPORTES DE ARCHIVERO también se puede colocar sobre los CORRIMIENTOS DEL ARCHIVERO de los LADOS DE CAJÓN DE MESA AUXILIAR (JJ y KK).

PASO 51

Inserte cuatro OJALES (25) en los agujeros grandes de los PARALES (C y SS) y del DORSO DE MESA AUXILIAR (N).

Inserte cuatro OJALES CON CUBIERTAS (24) dentro de los agujeros grandes de los PANELES SUPERIORES (TT y F).

PASO 52

Coloque su unidad en su posición final.

NOTA: Para levantar una esquina de la unidad, gire el DESLIZAMIENTO AJUSTABLE hacia la izquierda. Para bajar una esquina, gire el DESLIZAMIENTO AJUSTABLE hacia la derecha.

Para insertar los CAJONES (U y V) en el unidad, incline la parte delantera de los cajones hacia abajo y deje que los rodillos de los cajones caigan detrás de los rodillos de la unidad.

Para insertar los CAJONES GRANDES (W y X) dentro de la unidad, alinee las CORREDERAS DE EXTENSIÓN sujetadas a los cajones con los RIELES DE EXTENSIÓN sujetados a la unidad y empuje los cajones dentro de la unidad hasta que los cajones estén completamente insertados. Los cajones mueven con dificultad hasta que se inserten completamente dentro de la unidad, después deslizarán fácilmente hacia adentro y hacia afuera.

PASO 53

Separe las APLICACIONES de la TARJETA CON APLICACIONES (26) y aplique las sobre cada agujero visible, EXCÉNTRICO ESCONDIDO o sobre la cabeza de cada TORNILLO visible.

NOTA: Por favor, lea las páginas de atrás del folleto de instrucciones en cuanto a importante información de seguridad.

Esto completa el ensamblaje. Limpiar con un trapo húmedo. Seque con un paño.

⚠ WARNING

Please use your furniture correctly and safely. Improper use can cause safety hazards, or damage to your furniture or household items. **Carefully read the following chart.**

Look out for:	What can happen:	How to avoid the problem:
<ul style="list-style-type: none"> Overloaded shelves or drawers. Improper loading can cause the product to be top-heavy. 	<ul style="list-style-type: none"> Risk of injury. Top-heavy furniture can tip over. Overloaded shelves and drawers can break. 	<ul style="list-style-type: none"> Never exceed the weight limits shown in the instructions. Work from bottom to top when loading shelves and drawers. Place the heavier items on the lower shelves or in lower drawers.
<ul style="list-style-type: none"> Improperly moving furniture that is not designed and equipped with casters. 	<ul style="list-style-type: none"> Furniture can tip over or break if improperly moved. Physical injury. Furniture can be very heavy. Breakage of tops - particularly with double pedestal furniture (drawers at both ends). 	<ul style="list-style-type: none"> Unload shelves and drawers from top to bottom before moving the unit. Do not push furniture, especially on a carpeted floor. Have a friend help you lift the item and set it in place. Provide support to the center section of the top when lifting the furniture.
<ul style="list-style-type: none"> Placing TVs on furniture items that are not designed to support a television is hazardous. 	<ul style="list-style-type: none"> Risk of injury or death. TVs can be very heavy. Plus the weight and location of the picture tube tends to make TVs unbalanced and prone to tipping forward. 	<ul style="list-style-type: none"> This product is not designed to support a television.

⚠ AVERTISSEMENT

Prière d'utiliser le mobilier à bon escient et avec prudence. Une mauvaise utilisation peut être à l'origine de risques d'accident ou peut endommager le mobilier et les articles ménagers. **Lire attentivement le tableau suivant.**

À surveiller :	Danger éventuel :	Solution :
<ul style="list-style-type: none"> Tablettes ou tiroirs surchargés. En cas de chargement inadéquat l'élément peut être lourd du haut. 	<ul style="list-style-type: none"> Risque de blessure. Du mobilier mal équilibré risque de se renverser. Tablettes et tiroirs surchargés risquent de casser. 	<ul style="list-style-type: none"> Ne jamais excéder les limites de poids indiquées dans les instructions. Pour charger les tablettes et tiroirs, commencer par remplir celui du bas pour finir par celui du haut. Placer les articles plus lourds sur les tablettes inférieures ou dans les tiroirs inférieurs.
<ul style="list-style-type: none"> Déplacement inadéquat d'un mobilier qui n'est pas conçu pour avoir des roulettes et n'en est pas équipé. 	<ul style="list-style-type: none"> Le mobilier risque de se renverser ou de casser en cas de déplacement inadéquat. Blessure physique. Le mobilier peut être très lourd. Défaillance des dessus surtout avec les éléments de double piédestaux (tiroirs en chaque extrémité). 	<ul style="list-style-type: none"> Décharger les tablettes et tiroirs en commençant par celui du haut avant de déplacer l'élément. Ne pas pousser le meuble, surtout sur la moquette. Se faire aider par une autre personne pour soulever l'élément et le mettre en place. Supporter la section centrale du dessus lorsque l'on soulève le meuble.
<ul style="list-style-type: none"> Il est dangereux de placer des téléviseurs sur des meubles que ne sont pas prévus à cet effet. 	<ul style="list-style-type: none"> Risque de blessures graves, voire mortelles. Les téléviseurs peuvent être particulièrement lourds. De plus, le poids et l'emplacement du tube image ont tendance à rendre les téléviseurs instables et enclins à tomber vers l'avant. 	<ul style="list-style-type: none"> Ce produit n'est pas destiné à supporter un téléviseur.

⚠ ADVERTENCIA

Por favor use el mobiliario correcta y seguramente. El mal uso puede causar riesgos de seguridad o daño a las unidades o artículos domésticos. **Cuidadosamente lea la tabla a continuación.**

Esté alerta de:	Puede ocurrir:	Evitar el problema:
<ul style="list-style-type: none">• Estantes o cajones sobrecargados.• Cargar el producto de manera inadecuada puede causar la inestabilidad.	<ul style="list-style-type: none">• Riesgo de lesiones.• El mobiliario inestable puede volcarse.• Estantes y cajones sobrecargados pueden romperse.	<ul style="list-style-type: none">• Nunca exceder los límites de peso indicados en las instrucciones.• Cargue los estantes y cajones a partir de la base y trabaje hacia arriba. Coloque los artículos más pesados sobre los estantes inferiores o en los cajones inferiores.
<ul style="list-style-type: none">• Mover incorrectamente el mobiliario que no está diseñado y provisto con ruedecitas.	<ul style="list-style-type: none">• La inclinación o rotura del mobiliario es posible si se mueve de manera inadecuada.• Lesión física. El mobiliario puede ser muy pesado.• Rotura de las superficies especialmente las unidades con dos pedestales (con cajones en cada extremo).	<ul style="list-style-type: none">• Descargue los estantes y cajones desde arriba hacia abajo antes de mover la unidad.• No empuje la unidad, especialmente sobre un piso alfombrado. Pide la ayuda de otra persona para levantar la unidad y colocarla en lugar.• Soporte la sección central del panel superior cuando levanta el mueble.
<ul style="list-style-type: none">• Es peligroso colocar los televisores sobre unidades de mobiliario que no están diseñadas para soportar un televisor.	<ul style="list-style-type: none">• Riesgo de lesiones o muerte. Los televisores pueden ser muy pesados. Además, el peso y la ubicación del tubo de imagen tienden a causar la inestabilidad de televisores y propensa a volcarse hacia adelante.	<ul style="list-style-type: none">• Este producto no está diseñado para soportar un televisor.

5-YEAR LIMITED WARRANTY

1. Sauder Woodworking Co. (Sauder®) provides limited warranty coverage to the original purchaser of this product for a period of five years from the date of purchase against defects in materials or workmanship of Sauder furniture components. As used in this Warranty, "defect" means imperfections in components which substantially impair the utility of the product. This Warranty gives you specific legal rights, and you may also have other rights which vary from state to state.

2. There is no warranty coverage for defects or conditions that result from the failure to follow product assembly instructions, information or warnings, misuse or abuse, intentional damage, fire, flood, alteration or modification of the product, or use of the product in a manner inconsistent with its intended use, nor any condition resulting from incorrect or inadequate maintenance, cleaning, or care. There is also no warranty coverage for rented products or any products purchased "used" or "as is", at a distress or going-out-of-business sale, or from a liquidator.

3. As the exclusive remedy under this Warranty, Sauder will (at its sole option) repair, replace or refund the value of any defective furniture component. Sauder may require independent confirmation of the claimed defect and proof of purchase. Replacement parts will be warranted for only the remaining period of the original Warranty. SAUDER SHALL HAVE NO LIABILITY FOR ANY INCIDENTAL OR CONSEQUENTIAL DAMAGES OF ANY KIND and all such damages are EXCLUDED FROM THIS WARRANTY, such as loss of use, disassembly, transportation, labor or damage to property on or near the product. Some states do not allow the exclusion or limitation of incidental or consequential damages, so the above limitation or exclusion may not apply to you.

GARANTIE LIMITÉE DE 5 ANS

1. Sauder Woodworking Co. (Sauder®) offre une couverture de garantie limitée à l'acheteur initial du présent produit pendant une période de cinq ans à compter de la date d'achat contre tout défaut de matériaux ou de fabrication des composantes de mobilier Sauder. Le mot « défaut », tel qu'il est utilisé sous les termes de la présente garantie, comprend les imperfections des pièces qui empêchent substantiellement l'utilisation du produit. La présente garantie vous donne des droits légaux spécifiques et il est possible que vous ayez des droits supplémentaires variant d'État en État ou de province en province.

2. La présente garantie ne saurait couvrir les défauts ou conditions qui surviendraient à la suite du non respect des instructions, informations ou mises en garde de montage, d'une mauvaise utilisation ou d'un abus, d'un dommage intentionnel, d'un incendie, d'une inondation, d'une altération ou modification du produit, d'une utilisation du produit allant à l'encontre de son usage prévu, ni aucune condition résultant d'une maintenance, d'un nettoyage ou d'un entretien inappropriés ou inadéquats. De plus, il n'existe aucune garantie pour les produits loués ou tous les produits achetés « d'occasion » ou « en l'état », dans le cadre d'une vente aux enchères ou de solde pour cessation de commerce, ou auprès d'un liquidateur.

3. En tant que recours exclusif en vertu de la présente garantie, Sauder réparera, remplacera ou remboursera (sur sa seule décision) la valeur de toute composante de mobilier défectueuse. Sauder peut exiger une confirmation indépendante du défaut revendiqué ainsi qu'une preuve d'achat. Les pièces de rechange seront garanties uniquement pendant la période restante de la garantie originale. SAUDER NE SERA EN AUCUN CAS RESPONSABLE DE TOUT DOMMAGE ACCESSOIRE OU CONSÉCUTIF DE TOUTE SORTE et lesdits dommages sont EXCLUS DE LA PRÉSENTE GARANTIE, à savoir perte d'utilisation, démontage, transport, main d'œuvre ou dommages matériels sur ou à proximité du produit. Certains États ou provinces ne permettant pas l'exclusion ou la limite aux responsabilités pour dommages accidentels ou consécutifs, la limite ou l'exclusion ci-dessus peut ne pas être applicable.

GARANTÍA LIMITADA DE 5 AÑOS

1. Sauder Woodworking Co. (Sauder®) provee cobertura de garantía limitada al comprador original de este producto por un periodo de cinco años, a partir de la fecha de compra, contra defectos en los materiales o de mano de obra en los componentes de muebles Sauder. Como es utilizado en esta Garantía, "defecto" significa imperfecciones en los componentes que de manera fundamental afecta la utilidad del producto. Esta Garantía le permite a usted ciertos derechos legales, y usted también podría poseer otros derechos adicionales, los cuales varían de estado a estado.

2. No hay cobertura de garantía para defectos o estados que resulten del incumplimiento en seguir las instrucciones, la información o las advertencias sobre el ensamblaje del producto; del uso incorrecto o maltrato, del daño intencional, incendio, inundación, cambio o modificación del producto; o de la utilización del producto de manera contradictoria con el uso para el cual fue fabricado, ni por ningún estado que resulte del mantenimiento, limpieza o cuidado incorrecto o inadecuado. Tampoco no hay cobertura de garantía para los productos rentados o para cualesquiera productos comprados "de uso" o "como está", en una venta de bienes embargados o en una venta por salirse del negocio, o comprados a un liquidador.

3. Como un recurso exclusivo bajo esta Garantía, Sauder (sólo a su opción) reparará, reemplazará o reembolsará el valor de cualquier componente defectuoso de mueble. Sauder puede requerir una confirmación independiente de un defecto reclamado y una prueba de compra. Las piezas de repuesto serán garantizadas solamente por el periodo de tiempo que queda de la Garantía original. SAUDER NO TENDRÁ RESPONSABILIDAD por NINGÚN DAÑO INCIDENTAL O CONSECUENTE DE NINGÚN TIPO y todos dichos daños SE EXCLUYEN DE ESTA GARANTÍA, tales como pérdida de uso, desensamblaje, transportación, trabajo o daño a la propiedad en o cerca del producto. Algunos estados no permiten la exclusión o limitación de daños incidentales o consecuentes, en tales instancias la limitación o exclusión antes mencionada podría no ser aplicable a usted.

4. This Warranty applies only to warranted defects that first arise and are reported to Sauder within the warranty coverage period. The Warranty cannot be transferred to subsequent owners or users of the product, and it shall be immediately void in the event the product is resold, transferred, leased or rented to any third party or person other than the original purchaser.

5. THERE ARE NO OTHER WARRANTIES APPLICABLE TO THIS PRODUCT. Under the laws of certain states, there may be no implied warranties from Sauder and all implied warranties, INCLUDING ANY IMPLIED WARRANTY OF MERCHANTABILITY OR FITNESS FOR A PARTICULAR PURPOSE are disclaimed where allowed by law. TO THE EXTENT ANY IMPLIED WARRANTIES ARE APPLICABLE, ANY IMPLIED WARRANTIES, INCLUDING ANY IMPLIED WARRANTY OF MERCHANTABILITY OR FITNESS FOR A PARTICULAR PURPOSE, ARE LIMITED IN DURATION TO THE DURATION OF THIS EXPRESS WARRANTY or the minimum period allowed by law, whichever is shorter. Some states do not allow limitations on how long an implied Warranty lasts, so the above limitation may not apply to you.

6. For Warranty inquiries or claims, please visit our website www.sauder.com. You can also contact Sauder at 1.800.445.1527. Sauder may require Warranty claims to be submitted in writing to: Sauder Woodworking Co., 502 Middle Street, Archbold, OH 43502 USA. Please include your sales receipt or other proof of purchase and a specific description of the product defect.

4. La présente garantie ne s'applique qu'aux défauts garantis qui se produisent pour la première fois et qui sont signalés à Sauder dans les limites de couverture de la garantie. La garantie ne peut pas être transférée à des propriétaires ou utilisateurs subséquents du produit, et sera immédiatement invalidée dans le cas où le produit est revendu, transféré, loué sous bail ou loué à une tierce partie ou personne autre que l'acheteur original.

5. IL N'EXISTE AUCUNE AUTRE GARANTIE EN VIGUEUR POUR LE PRÉSENT PRODUIT. En vertu des lois de certains États ou provinces, il ne peut y avoir de garanties implicites de la part de Sauder et toutes les garanties implicites, Y COMPRIS TOUTE GARANTIE IMPLICITE DE COMMERCIALITÉ OU D'ADAPTATION À UN USAGE PARTICULIER sont déclinées partout où la loi l'autorise. DANS LA MESURE OÙ TOUTE GARANTIE IMPLICITE EST APPLICABLE, TOUTE GARANTIE IMPLICITE, Y COMPRIS TOUTE GARANTIE DE COMMERCIALITÉ OU D'ADAPTATION À UN USAGE PARTICULIER, EST LIMITÉE À LA DURÉE DE LA PRÉSENTE GARANTIE EXPRESSE ou à la période minimum autorisée par la loi, la période la plus courte étant retenue. Certains États ne permettant pas que des limites soient imposées quant à la durée d'une garantie implicite, la limite ci-dessus peut donc ne pas être applicable.

6. Pour toute question concernant la garantie ou toute demande de réclamation, consulter le site Web www.sauder.com. Il est également possible de contacter Sauder en composant le 1.800.445.1527. Sauder peut exiger de soumettre les demandes de réclamation sous garantie par écrit à : Sauder Woodworking Co., 502 Middle Street, Archbold, OH 43502 USA. Veuillez joindre votre ticket de caisse ou toute autre preuve d'achat ainsi qu'une description spécifique du défaut de produit.

4. Esta Garantía sólo es aplicable a defectos garantizados que primeramente surjan y se informen a Sauder dentro del periodo de cobertura de garantía. La Garantía no puede ser transferida a propietarios o usuarios subsiguientes del producto, y ésta será inmediatamente invalidada en el caso que el producto sea revendido, transferido, arrendado o rentado a cualquier tercero u otra persona que no sea el comprador original.

5. NO HAY OTRA GARANTÍA APLICABLE A ESTE PRODUCTO. Bajo las leyes de ciertos estados, pueden no haber garantías implícitas de Sauder y se hace renuncia de responsabilidad de todas las garantías implícitas donde lo permita la ley, INCLUYENDO CUALQUIER GARANTÍA IMPLÍCITA DE MERCANTIBILIDAD O DE APTITUD PARA UN PROPOSITO EN PARTICULAR. EN LA MEDIDA CUALQUIER GARANTÍA IMPLÍCITA ES APLICABLE, CUALESQUIERA GARANTÍAS IMPLÍCITAS, INCLUYENDO AQUELLA DE MERCANTIBILIDAD O DE APTITUD PARA UN PROPOSITO EN PARTICULAR, SE LIMITAN EN DURACIÓN HASTA LA DURACIÓN DE ESTA GARANTÍA IMPLÍCITA o hasta el periodo mínimo permitido por la ley, la que sea más corta. Algunos estados no permiten limitaciones en cuanto a la duración de una garantía implícita, por eso la limitación arriba citada pueda no ser aplicable a usted.

6. Para solicitud de información o reclamación de Garantía, por favor, visite nuestro sitio Web www.sauder.com. Usted también puede contactar a Sauder llamando al 1.800.445.1527. Sauder puede solicitar que las reclamaciones sean presentadas por escrito a: Sauder Woodworking Co., 502 Middle Street, Archbold, OH 43502 USA. Por favor incluya su recibo de venta u otra prueba de compra y una descripción detallada del defecto del producto.

Dear Valued Customer:

Thanks so much for choosing Sauder® furniture. I hope the purchase and assembly process was a positive experience and you feel good about the furniture you just built. If you need assistance or want to learn more, please contact our award-winning, Ohio-based customer service team at 1-800-445-1527 or Sauder.com.

My grandfather, Erie Sauder, founded the company in 1934 and later invented and patented the first commercially successful ready-to-assemble tables. We strive to hold true to his core values of innovation, integrity, servanthood and stewardship.

Sauder products are made with environmentally responsible materials and world-class manufacturing processes. Our 2,000+ dedicated employees in Archbold, Ohio, along with our global manufacturing partners, are committed to providing you furniture with great value, style and quality.

From our family to you. Enjoy!



Kevin J. Sauder
President/CEO

So, how did it go?

Set a world record for speed?
Feeling good about yourself?
Nice. Get social with it on any
of these quality share sites.



And don't forget to rate and
review your piece at Sauder.com
in the product detail page.



Register your new
product online

For immediate service, our website is available
24 hours per day, seven days per week, to order
replacement parts, access assembly tips, register your
product and view Sauder products. www.sauder.com

Customer Services in United States and Canada
Monday through Friday – 9 a.m. to 5:30 p.m. ET
(except holidays) 1-800-445-1527

General Conformity Certificate

1. This certificate applies to the Sauder Global Sourcing Product identified by this Instruction Book.
2. This certificate applies to compliance of this product with the CPSC Ban on Lead-Containing Paint (16 CFR 1303).
3. This product is manufactured for:
Sauder Woodworking Company
502 Middle St.
Archbold, OH 43502
4. Date of Manufacture: _____