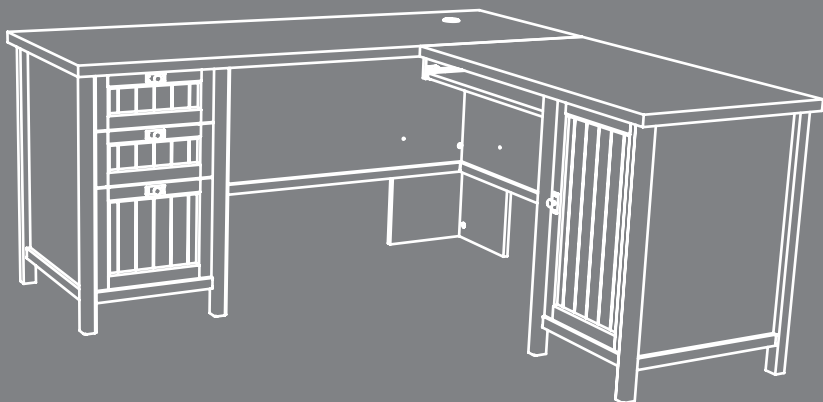


CONTACT US FIRST BEFORE MAKING ANY RETURNS TO THE RETAILER.

Visit [sauder.com/service](https://www.sauder.com/service) to order replacement parts, view video assembly tips, or chat with a live rep.
Prefer the phone? Give us a ring at 1-800-523-3987.

Customer Service is available Monday-Friday - 8:30 a.m. to 5 p.m. EST (except holidays)



For **all** your
newfangled **gadgetry**.

L-Desk

Costa Collection | **Model 428728**

Sauder.com

Share your journey!



NOTE: THIS INSTRUCTION BOOKLET CONTAINS **IMPORTANT** SAFETY INFORMATION.

PLEASE READ AND KEEP FOR FUTURE REFERENCE.

English pg 1-44
Français pg 45-50
Español pg 51-56

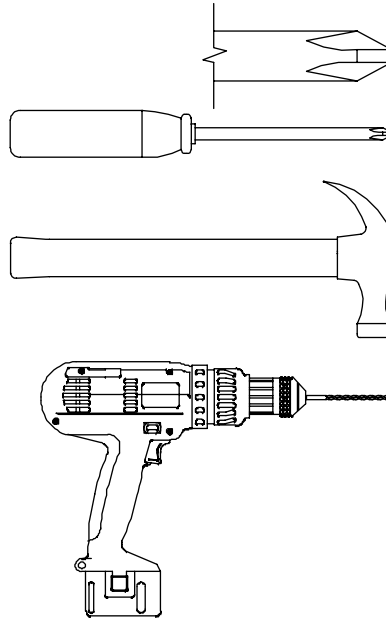
Lot # **548497**
Purchased: _____

10/19/20

Table of Contents

Assembly Tools Required

Part Identification	2-3
Hardware Identification	4-5
Hardware Usage Guide	6
Assembly Steps	7-44
Français	45-50
Español	51-56
Safety	57-58
Warranty	59



No. 2 Phillips Screwdriver
Tip Shown Actual Size

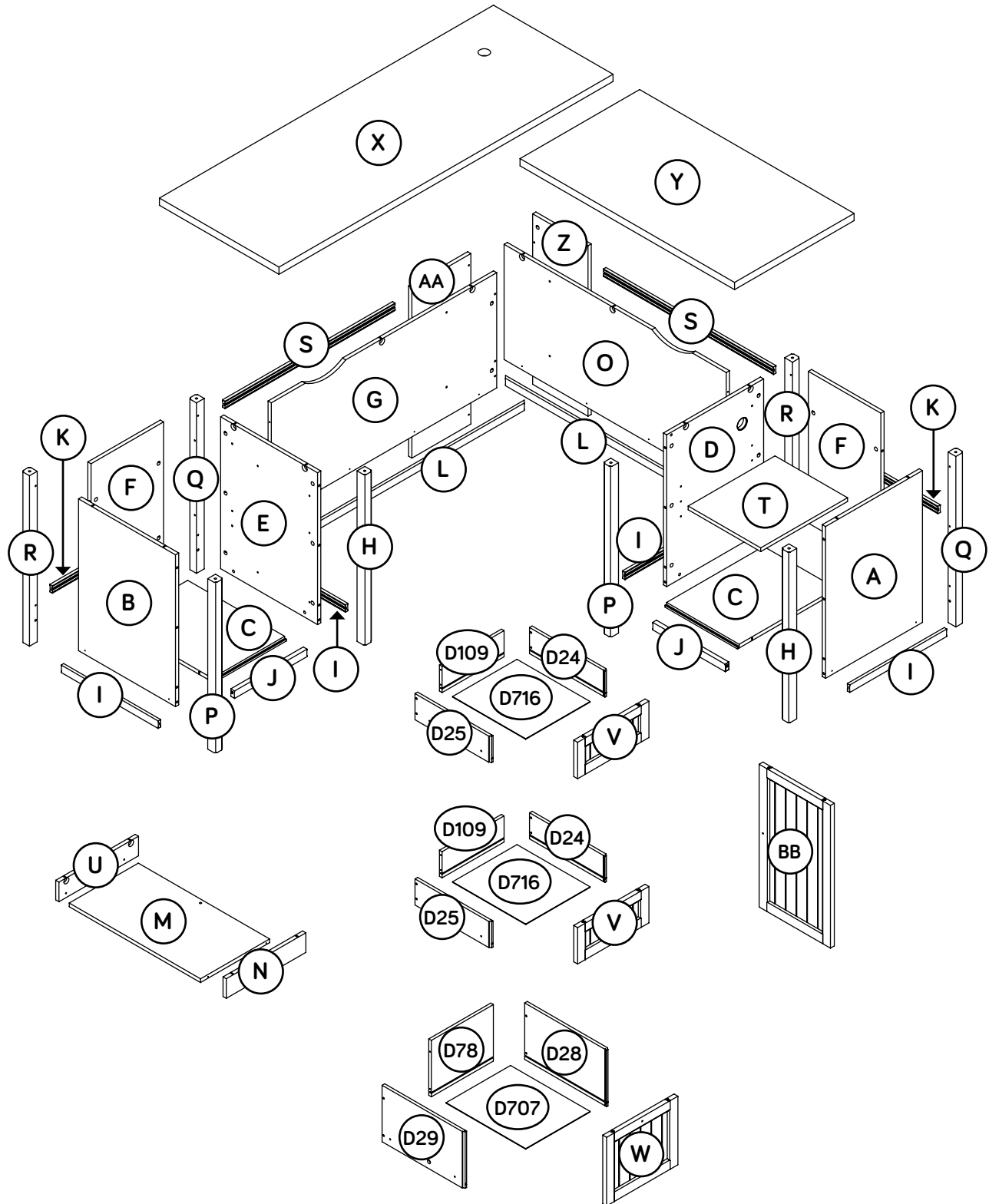
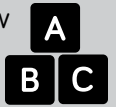
Hammer
Not actual size 😊

Electric drill with 3/16" bit
(ONLY in indicated step)

Part Identification

⚠ While not all parts are labeled, some of the parts will have a label or an inked letter on the edge to help distinguish similar parts from each other. Use this part identification to help identify similar parts.

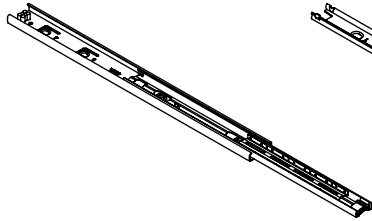
A	RIGHT END (1)	E	LEFT UPRIGHT (1)	Q	RIGHT REAR LEG (2)
B	LEFT END (1)	F	BACK (2)	R	LEFT REAR LEG (2)
C	BOTTOM (2)	G	LEFT MODESTY PANEL (1)	S	SHORT MODESTY PANEL MOLDING (2)
D	RIGHT UPRIGHT (1)	H	RIGHT FRONT LEG (2)	T	ADJUSTABLE SHELF (1)
D24	RIGHT DRAWER SIDE (2)	I	END MOLDING (4)	U	LEFT KEYBOARD UPRIGHT (1)
D25	LEFT DRAWER SIDE (2)	J	BOTTOM MOLDING (2)	V	DRAWER FRONT (2)
D28	LARGE RIGHT DRAWER SIDE (1)	K	BACK MOLDING (2)	W	LARGE DRAWER FRONT (1)
D29	LARGE LEFT DRAWER SIDE (1)	L	LONG MODESTY PANEL MOLDING (2)	X	TOP (1)
D78	LARGE DRAWER BACK (1)	M	KEYBOARD SHELF (1)	Y	RETURN TOP (1)
D109	DRAWER BACK (2)	N	RIGHT KEYBOARD UPRIGHT (1)	Z	RIGHT PANEL (1)
D707	LARGE DRAWER BOTTOM (1)	O	RIGHT MODESTY PANEL (1)	AA	LEFT PANEL (1)
D716	DRAWER BOTTOM (2)	P	LEFT FRONT LEG (2)	BB	DOOR (1)



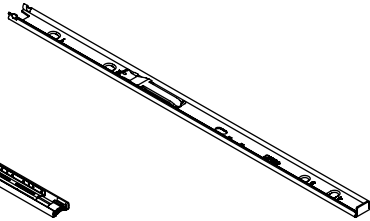
Hardware Identification

(EXTENSION SET SHOWN SEPARATED)

40MA EXTENSION RAIL - 2

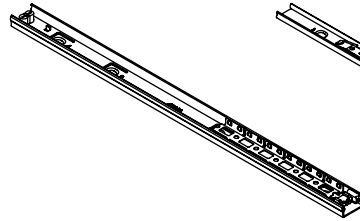


40MC EXTENSION SLIDE - 2

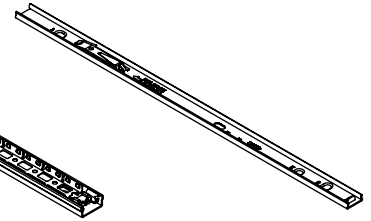


(EXTENSION SET SHOWN SEPARATED)

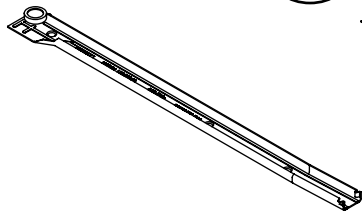
40NA EXTENSION RAIL - 4



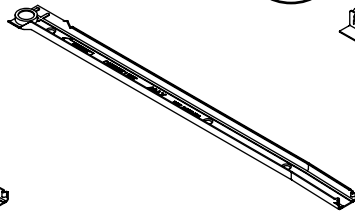
40NC EXTENSION SLIDE - 4



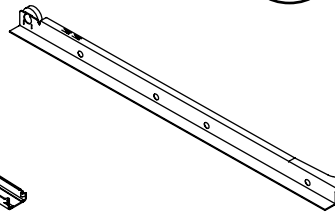
40AW CABINET RIGHT - 1



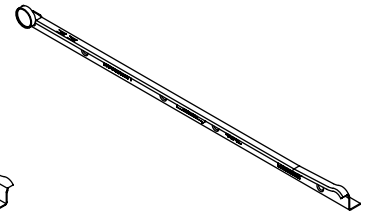
40AX CABINET LEFT - 1



40AY DRAWER RIGHT - 1



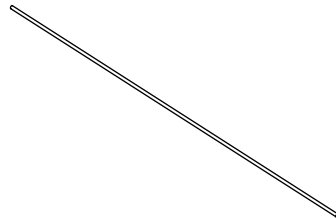
40AZ DRAWER LEFT - 1



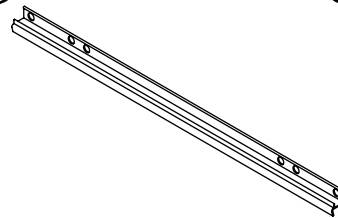
10A SLIDE CAM - 6



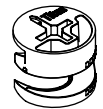
8B FILE ROD - 2



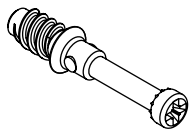
15B FILE GLIDE - 2



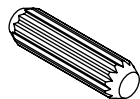
1F HIDDEN CAM - 37



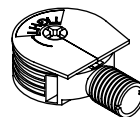
8F CAM SCREW - 37



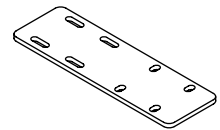
15F WOOD DOWEL - 16



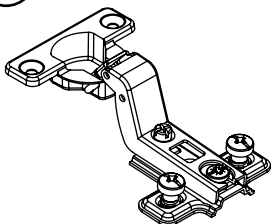
37F TWIST-LOCK® FASTENER - 24



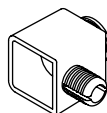
14G CONNECTOR PLATE - 2



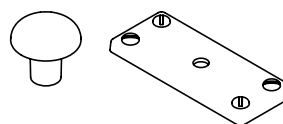
14H HINGE - 2



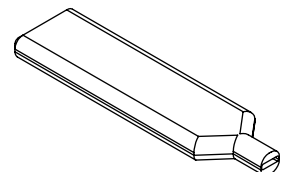
4I DOOR STOP - 1



136K KNOB SET - 4



177M GLUE - 2

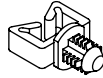


Hardware Identification

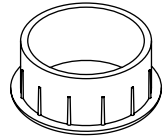
1P GROMMET CAP - 1



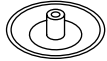
4P CORD CLIP - 1



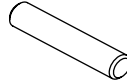
10P GROMMET - 1



75P CAM COVER - 3



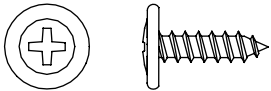
1R METAL PIN - 4



2R RUBBER SLEEVE - 4



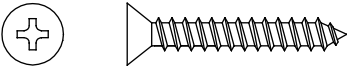
1S BLACK 9/16" LARGE HEAD SCREW - 16



3S GOLD 5/16" FLAT HEAD SCREW - 24



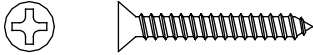
10S SILVER 1-1/8" FLAT HEAD SCREW - 4



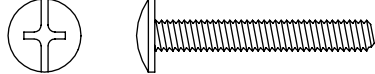
11S BLACK 1/2" FLAT HEAD SCREW - 4



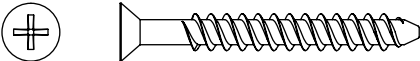
18S BROWN 1" FLAT HEAD SCREW - 4



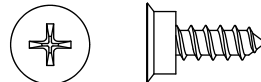
21S BLACK 1-1/8" MACHINE SCREW - 4



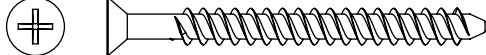
30S BLACK 1-9/16" FLAT HEAD SCREW - 12



32S BLACK 9/16" FLAT HEAD SCREW - 26



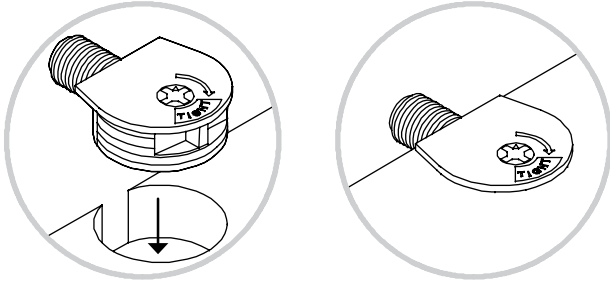
113S BLACK 1-15/16" FLAT HEAD SCREW - 9



Hardware Usage Guide

HOW TO USE A TWIST-LOCK® FASTENER

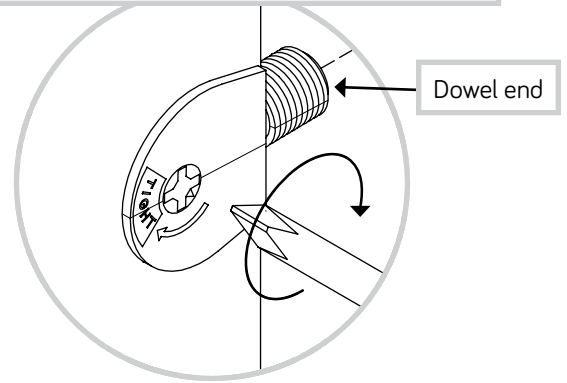
1. Push a TWIST-LOCK® FASTENER into the large hole in the part.



2. 1. Insert the dowel end of the FASTENER into the hole of the adjoining part.

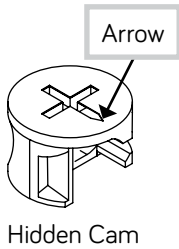
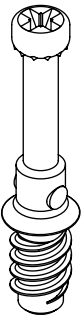
NOTE: The dowel end of the FASTENER must remain fully inserted in the hole of the adjoining part while locking the FASTENER.

2. 2. Tighten the FASTENER with a Phillips screwdriver as tight as possible.



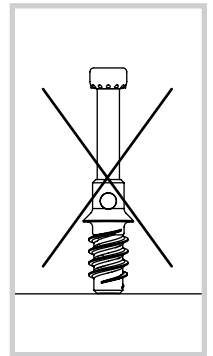
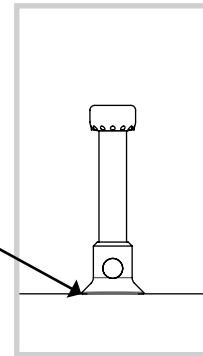
HOW TO USE A HIDDEN CAM & CAM SCREW

Cam Screw

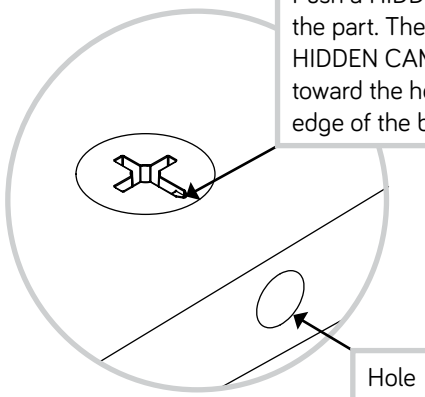


Hidden Cam

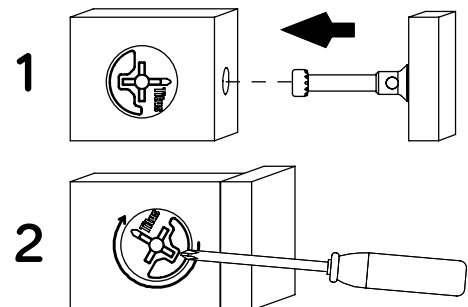
1. Turn the CAM SCREW until the shoulder is against the surface of the part.



2. Push a HIDDEN CAM into the part. The arrow in the HIDDEN CAM must point toward the hole in the edge of the board.



3. Insert the CAM SCREW into the HIDDEN CAM. Tighten the HIDDEN CAM.



Step 1

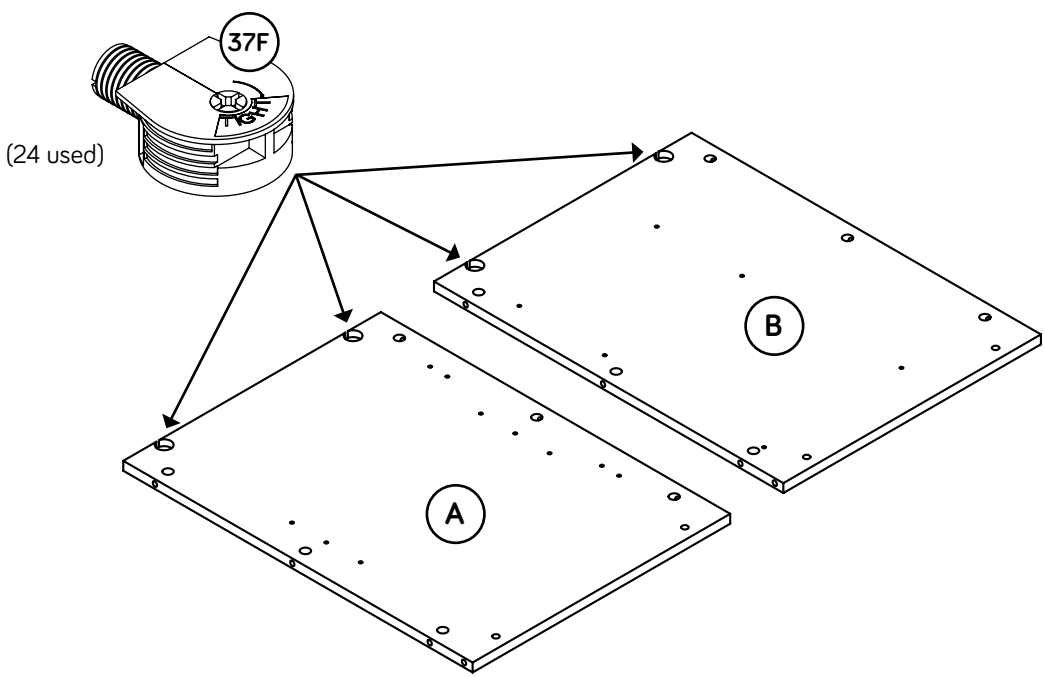
Look for this icon. It means a video assembly tip is available at www.sauder.com/service/tips
Find the numbered video or scan the QR code.



- ✚ Assemble your unit on a carpeted floor or on the empty carton to avoid scratching your unit or the floor.
- ✚ To begin assembly, push a SAUDER TWIST-LOCK® FASTENER (37F) into the large holes in the ENDS (A and B).
- ✚ Repeat this step for the BOTTOMS (C), UPRIGHTS (D and E), MODESTY PANELS (G and O), and KEYBOARD UPRIGHTS (N and U).



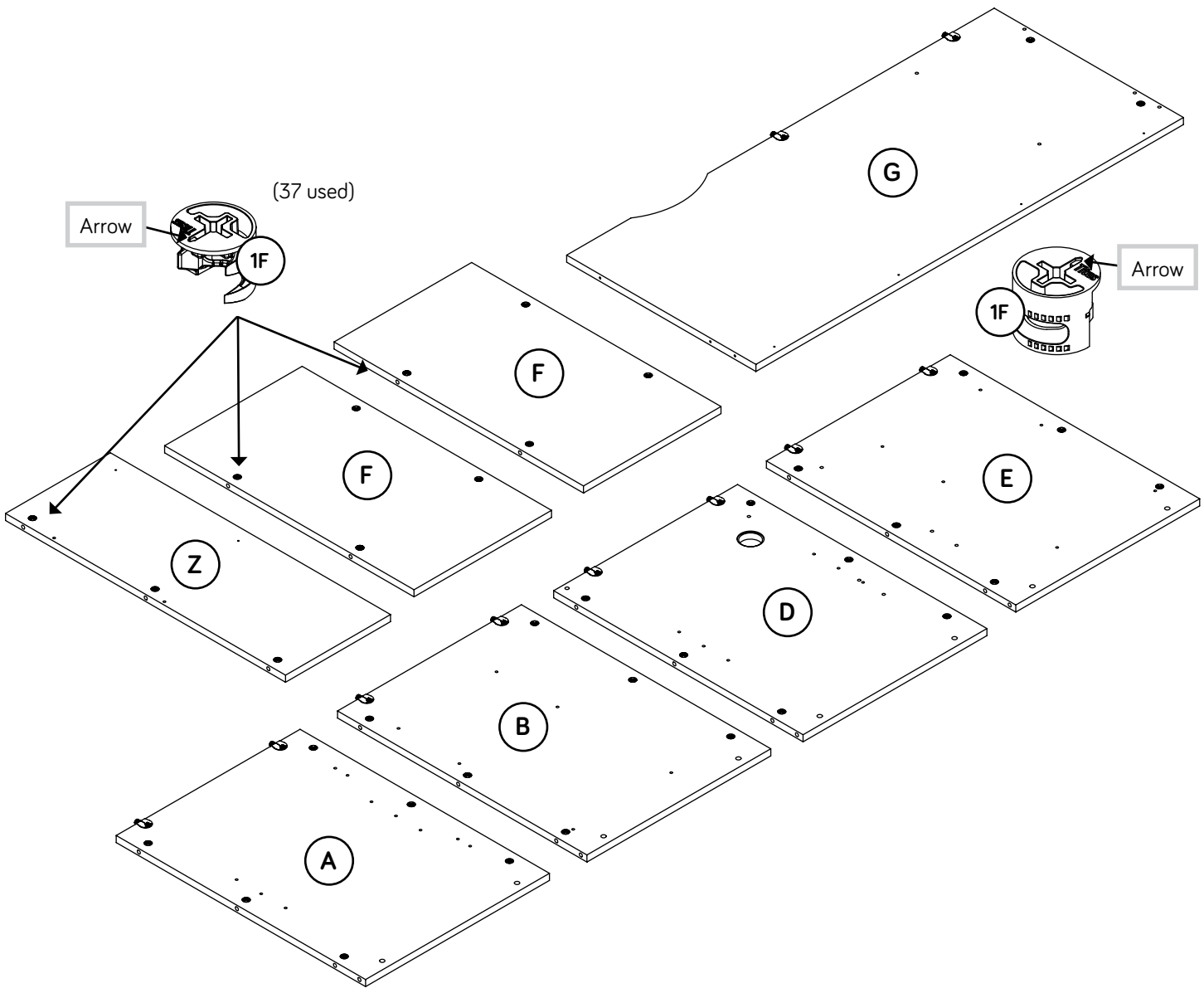
Do not tighten the TWIST-LOCK® FASTENERS in this step.



Step 2



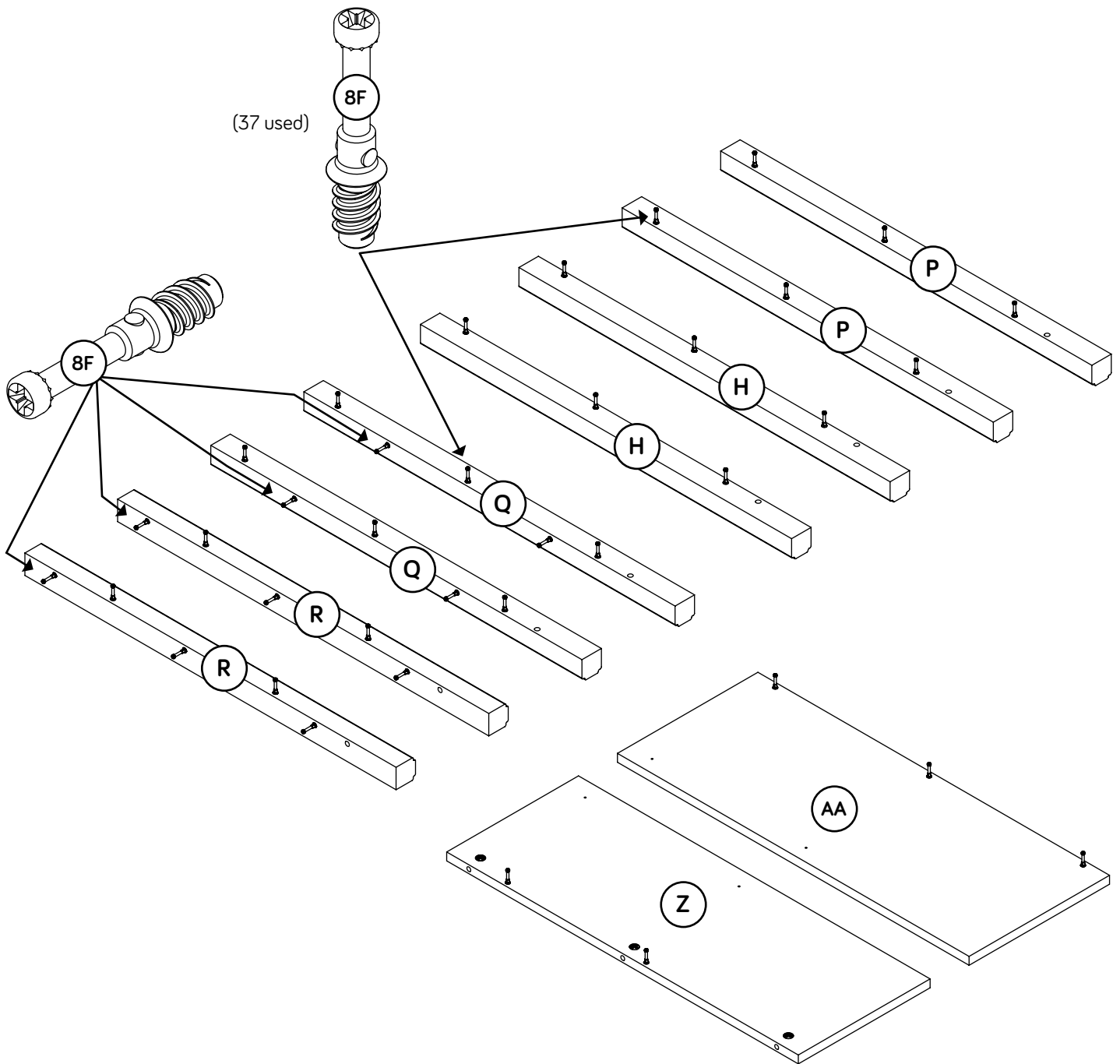
- Push thirty-seven HIDDEN CAMS (1F) into the edges of the ENDS (A and B), UPRIGHTS (D and E), BACKS (F), LEFT MODESTY PANEL (G), and RIGHT PANEL (Z).



Step 3

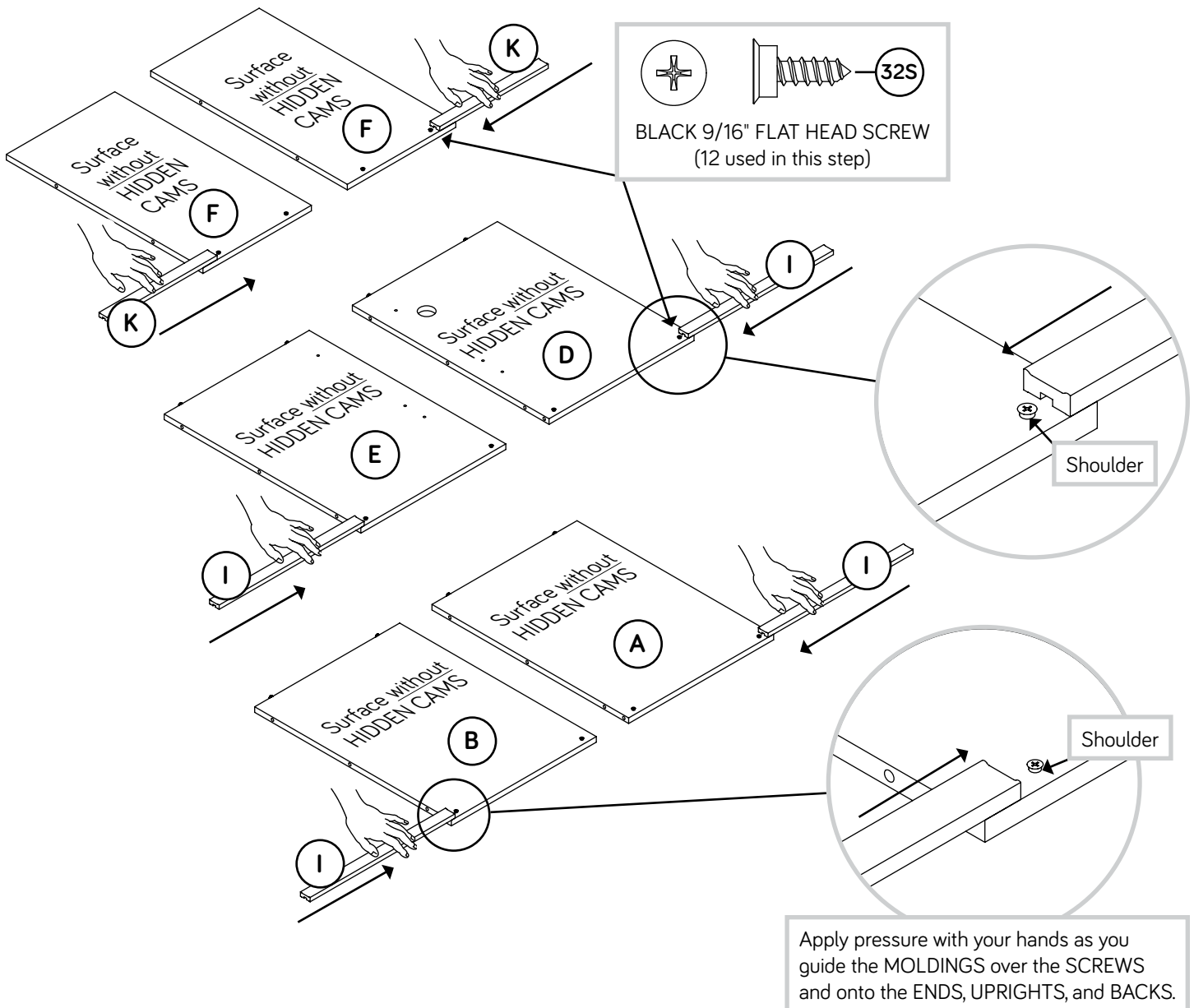


- Turn thirty-seven CAM SCREWS (8F) into the LEGS (H, P, Q and R) and PANELS (Z and AA).



Step 4

- ✚ Turn the ENDS (A and B), UPRIGHTS (D and E), and BACKS (F) over.
- ✚ Turn twelve BLACK 9/16" FLAT HEAD SCREWS (32S) into the ENDS (A and B), UPRIGHTS (D and E), and BACKS (F) until the shoulders of the SCREWS rest on the surfaces of the ENDS, UPRIGHTS, and BACKS.
- ✚ NOTE: Do not overtighten the SCREWS.
- ✚ Slide the MOLDINGS (I) onto the ENDS (A and B) and UPRIGHTS (D and E). Slide the MOLDINGS (K) onto the BACKS (F). Line up the grooves in the MOLDINGS over the heads of the SCREWS in the ENDS, UPRIGHTS, and BACKS.
- ✚ NOTE: If the MOLDING comes up off of the SCREWS, remove it and slide it on again. The MOLDINGS should be centered over the ENDS, UPRIGHTS, and BACKS.



Step 5

Turn six BLACK 9/16" FLAT HEAD SCREWS (32S) into the MODESTY PANELS (G and O) until the shoulders of the SCREWS rest on the surfaces of the MODESTY PANELS.

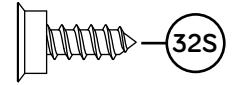
NOTE: Do not overtighten the SCREWS.

Slide the SHORT MODESTY PANEL MOLDINGS (S) onto the MODESTY PANELS (G and O). Line up the grooves in the MOLDINGS over the heads of the SCREWS in the MODESTY PANELS.

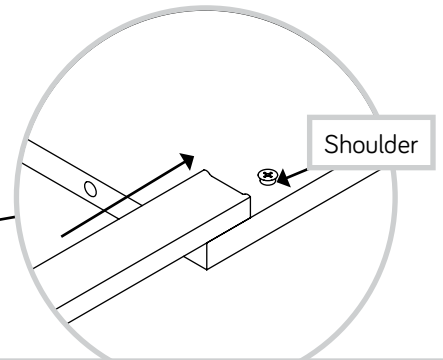
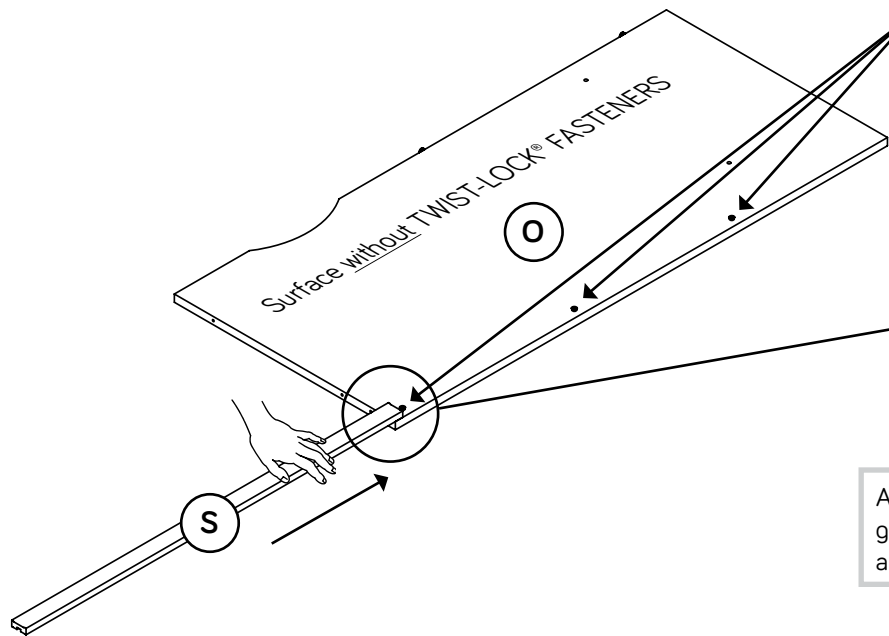
NOTE: If the MOLDINGS come up off of the SCREWS, remove them and slide them on again. The MOLDINGS should be centered over the MODESTY PANELS.



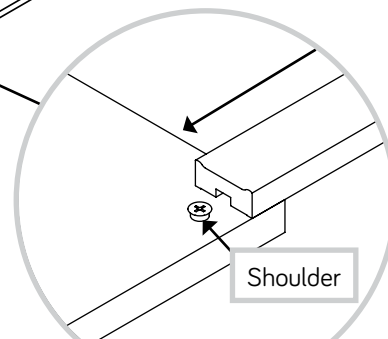
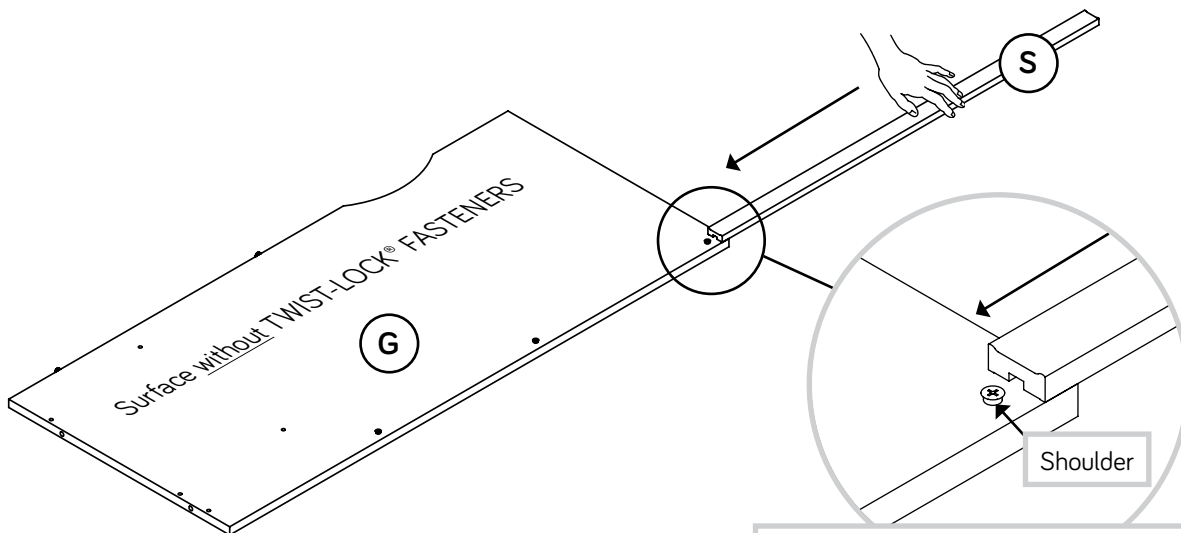
Some assembly
(and snacks) required.



BLACK 9/16" FLAT HEAD SCREW
(6 used in this step)



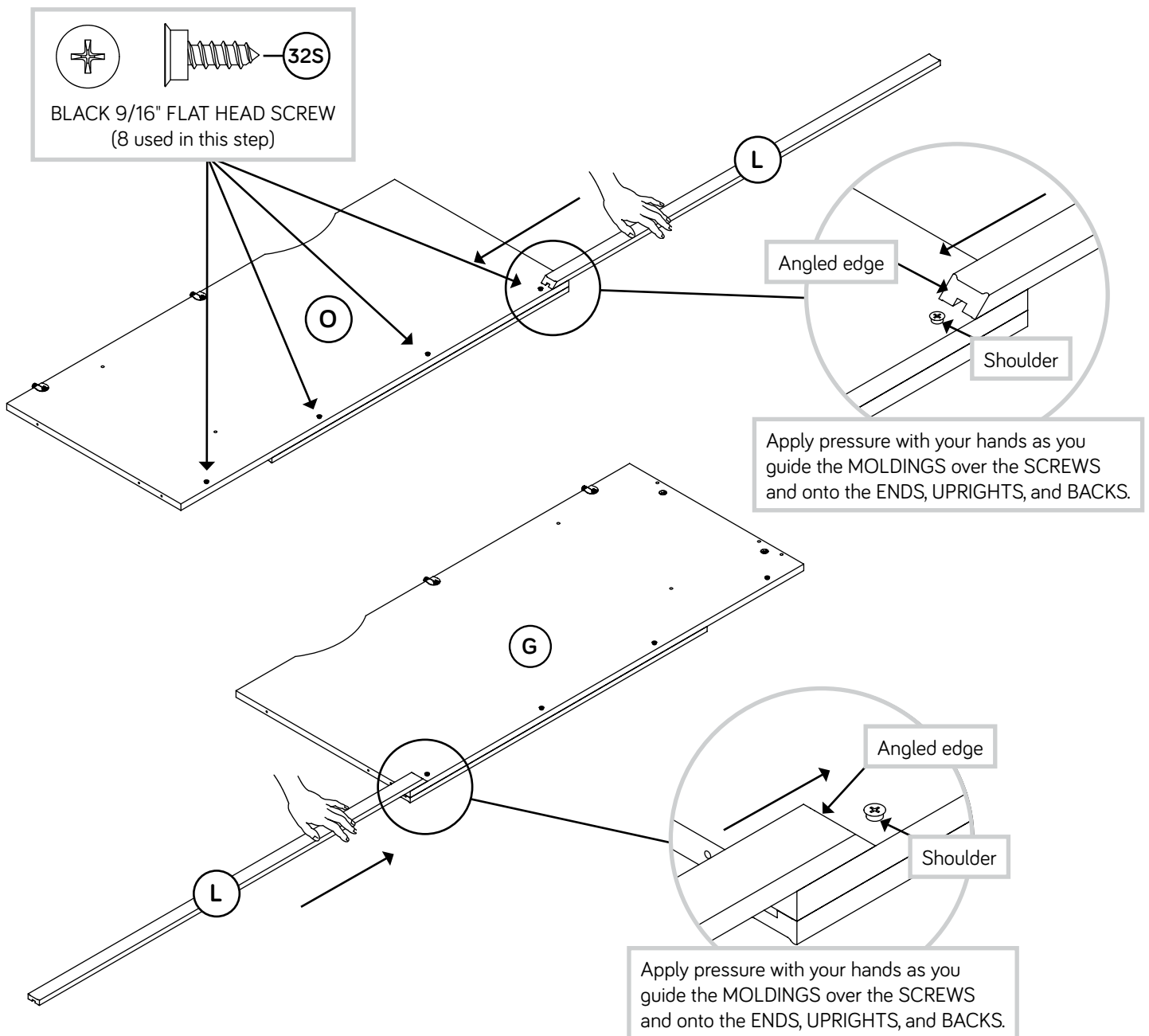
Apply pressure with your hands as you guide the MOLDINGS over the SCREWS and onto the ENDS, UPRIGHTS, and BACKS.



Apply pressure with your hands as you guide the MOLDINGS over the SCREWS and onto the ENDS, UPRIGHTS, and BACKS.

Step 6

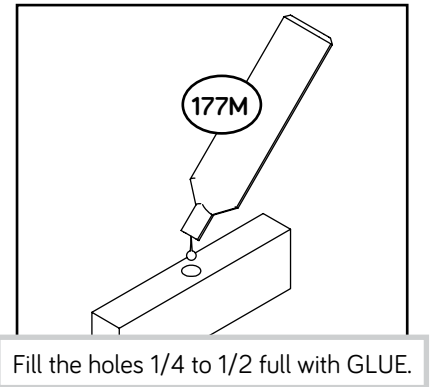
- ✚ Flip the the MODESTY PANELS (G and O) over.
- ✚ Turn eight BLACK 9/16" FLAT HEAD SCREWS (32S) into the MODESTY PANELS (G and O) until the shoulders of the SCREWS rest on the surfaces of the MODESTY PANELS.
- ✚ **NOTE:** Do not overtighten the SCREWS.
- ✚ Slide the LONG MODESTY PANEL MOLDINGS (L) onto the MODESTY PANELS (G and O). Line up the groove in the MOLDING over the heads of the SCREWS in the MODESTY PANEL.
- ✚ **NOTE:** Be sure the MOLDINGS are positioned exactly as shown. If the MOLDINGS come up off of the SCREWS, remove them and slide them on again. The MOLDINGS should be centered over the MODESTY PANELS.



Step 7

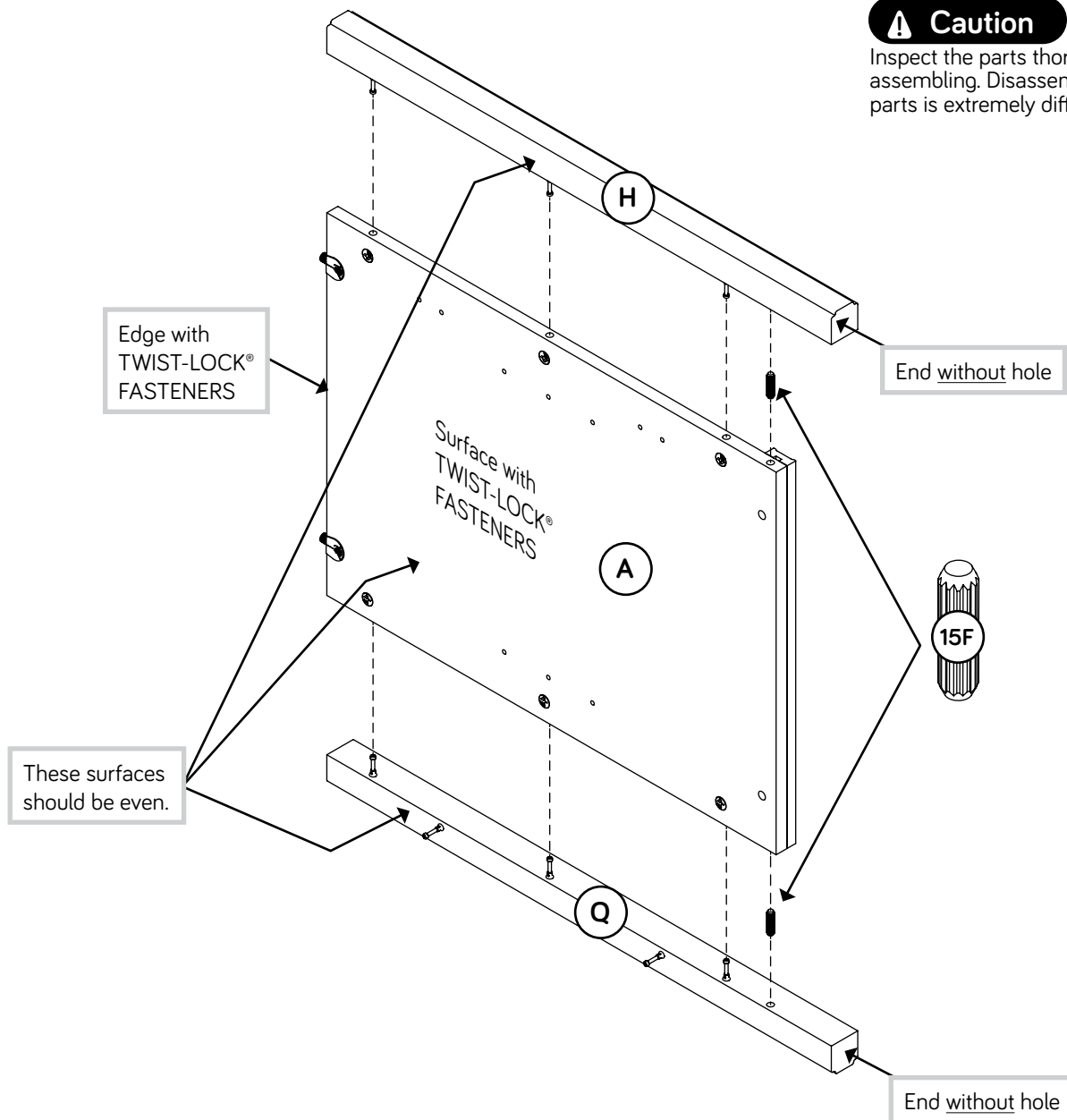


- First, fill two holes in the RIGHT END (A) 1/4 to 1/2 full with GLUE (177M). Then, insert two WOOD DOWELS (15F) into the holes. Wipe away the excess GLUE.
- NOTE:** Be sure to position the parts exactly as shown and use the correct holes.
- Now, fill the holes in the LEGS (H and Q) 1/4 to 1/2 full with GLUE (177M).
- Fasten the LEGS (H and Q) to the RIGHT END (A). Tighten six HIDDEN CAMS.
- NOTE:** Be sure the WOOD DOWELS in the RIGHT END insert into the LEGS. Wipe away the excess GLUE.



Caution

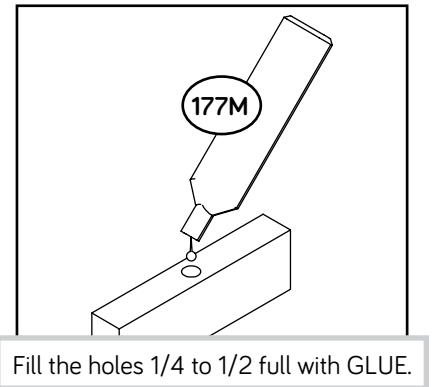
Inspect the parts thoroughly before assembling. Disassembly of glued parts is extremely difficult.



Step 8

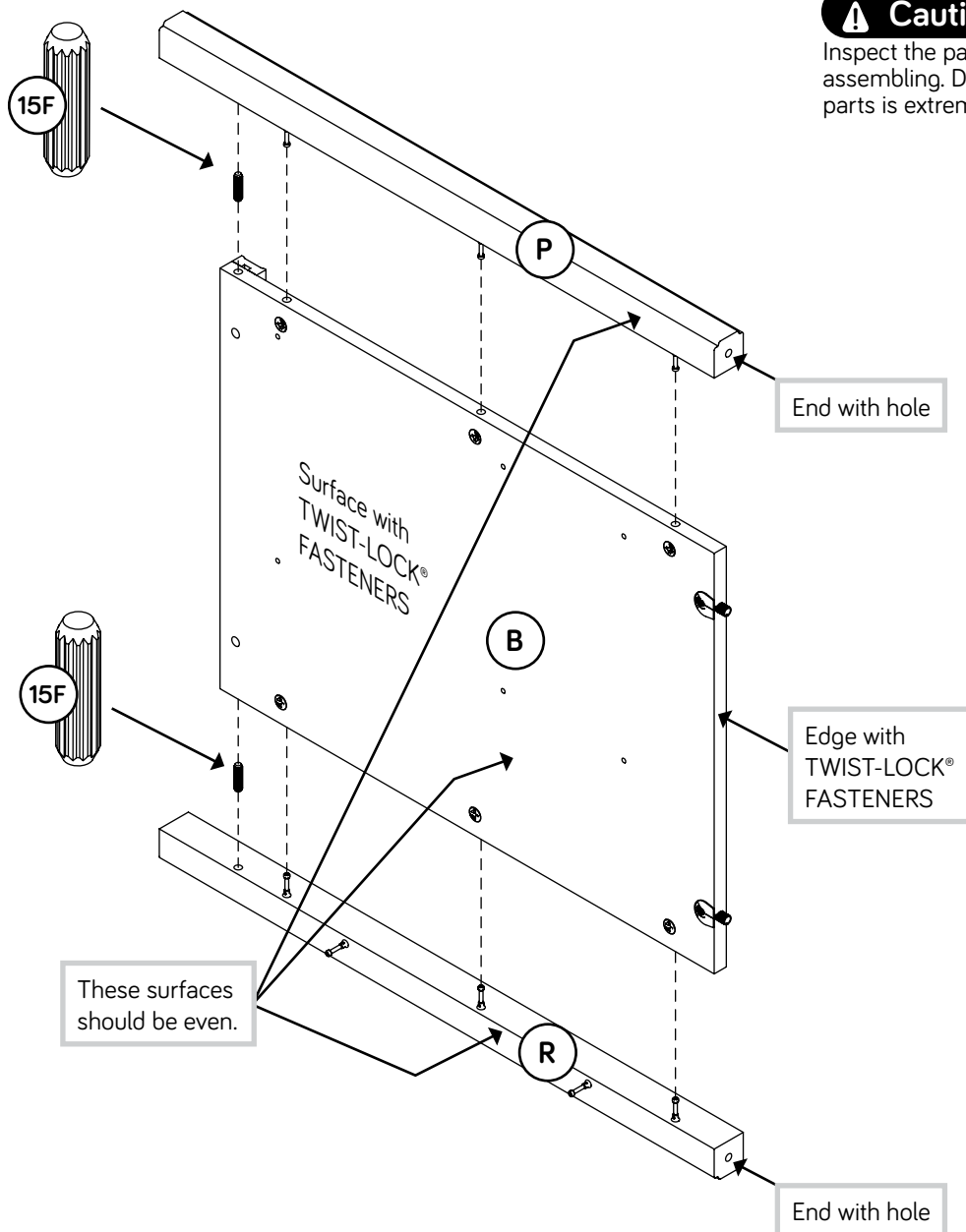


- ✚ First, fill two holes in the LEFT END (B) 1/4 to 1/2 full with GLUE (177M). Then, insert two WOOD DOWELS (15F) into the holes. Wipe away the excess GLUE.
- ✚ **NOTE:** Be sure to position the parts exactly as shown and use the correct holes.
- ✚ Now, fill the holes in the LEGS (P and R) 1/4 to 1/2 full with GLUE (177M).
- ✚ Fasten the LEGS (P and R) to the LEFT END (B). Tighten six HIDDEN CAMS.
- ✚ **NOTE:** Be sure the WOOD DOWELS in the LEFT END insert into the LEGS. Wipe away the excess GLUE.



⚠ Caution

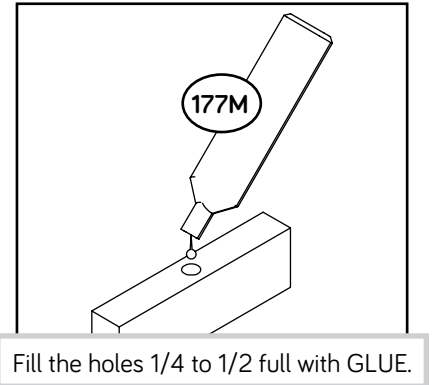
Inspect the parts thoroughly before assembling. Disassembly of glued parts is extremely difficult.



Step 9

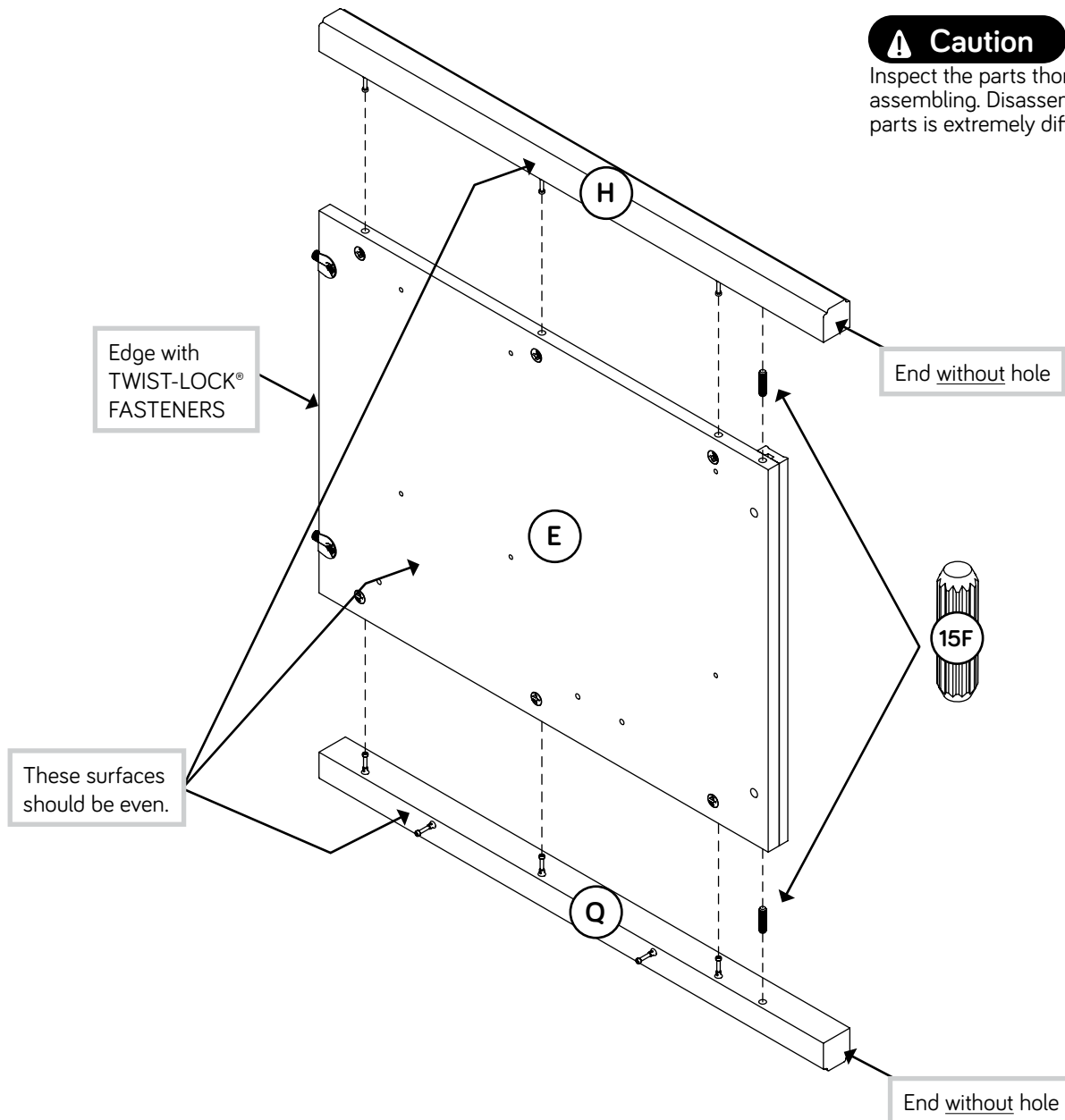


- First, fill two holes in the LEFT UPRIGHT (E) 1/4 to 1/2 full with GLUE (177M). Then, insert two WOOD DOWELS (15F) into the holes. Wipe away the excess GLUE.
- NOTE:** Be sure to position the parts exactly as shown and use the correct holes.
- Now, fill the holes in the LEGS (H and Q) 1/4 to 1/2 full with GLUE (177M).
- Fasten the LEGS (H and Q) to the LEFT UPRIGHT (E). Tighten six HIDDEN CAMS.
- NOTE:** Be sure the WOOD DOWELS in the LEFT UPRIGHT insert into the LEGS. Wipe away the excess GLUE.



Caution

Inspect the parts thoroughly before assembling. Disassembly of glued parts is extremely difficult.



Step 10



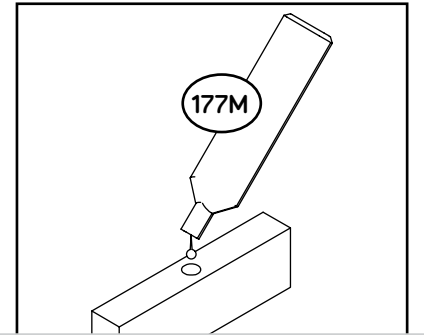
✚ First, fill two holes in the RIGHT UPRIGHT (D) 1/4 to 1/2 full with GLUE (177M). Then, insert two WOOD DOWELS (15F) into the holes. Wipe away the excess GLUE.

✚ **NOTE:** Be sure to position the parts exactly as shown.

✚ Now, fill the holes in the LEGS (P and R) 1/4 to 1/2 full with GLUE (177M).

✚ Fasten the LEGS (P and R) to the RIGHT UPRIGHT (D). Tighten six HIDDEN CAMS.

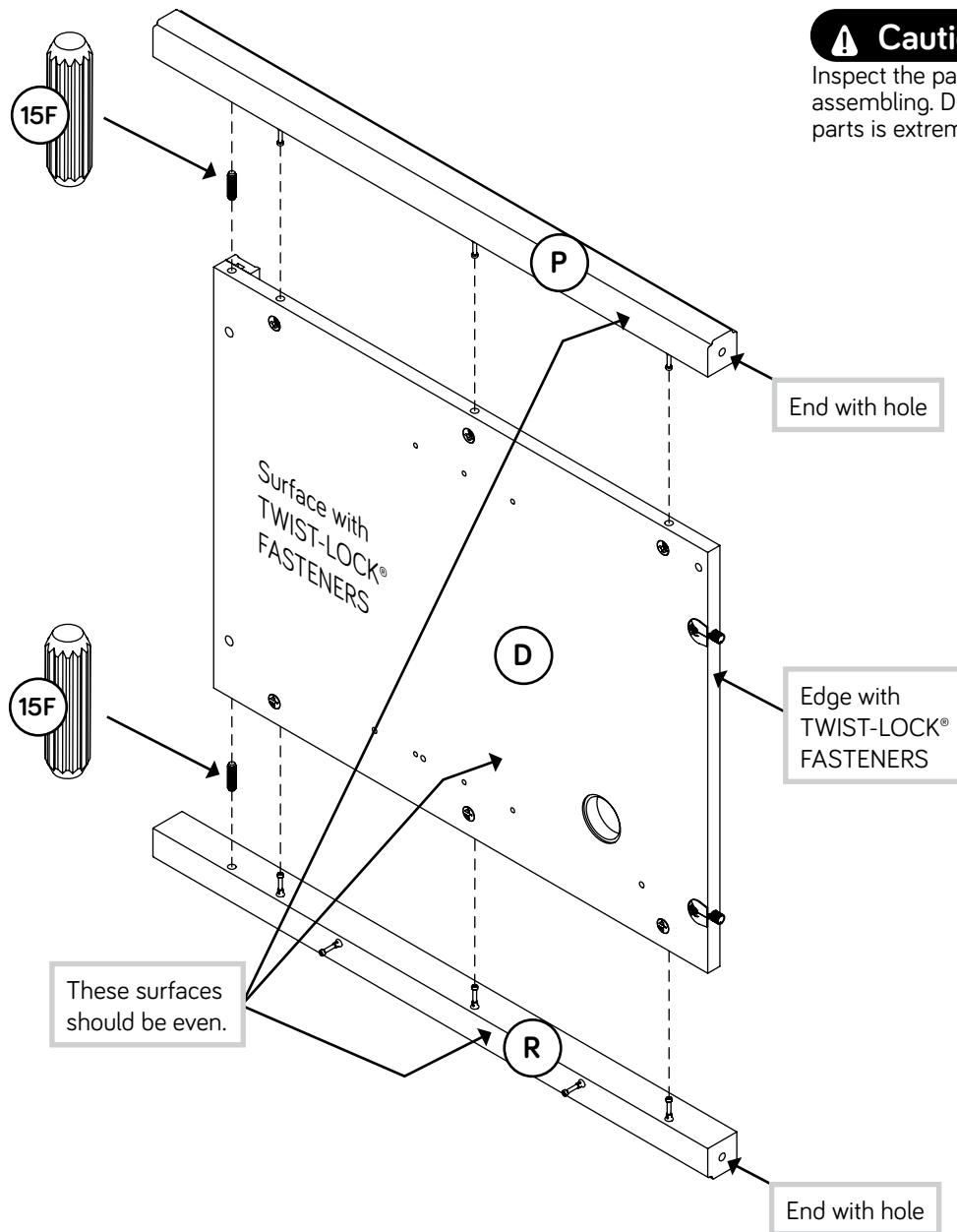
✚ **NOTE:** Be sure the WOOD DOWELS in the RIGHT UPRIGHT insert into the LEGS. Wipe away the excess GLUE.



Fill the holes 1/4 to 1/2 full with GLUE.

⚠ Caution

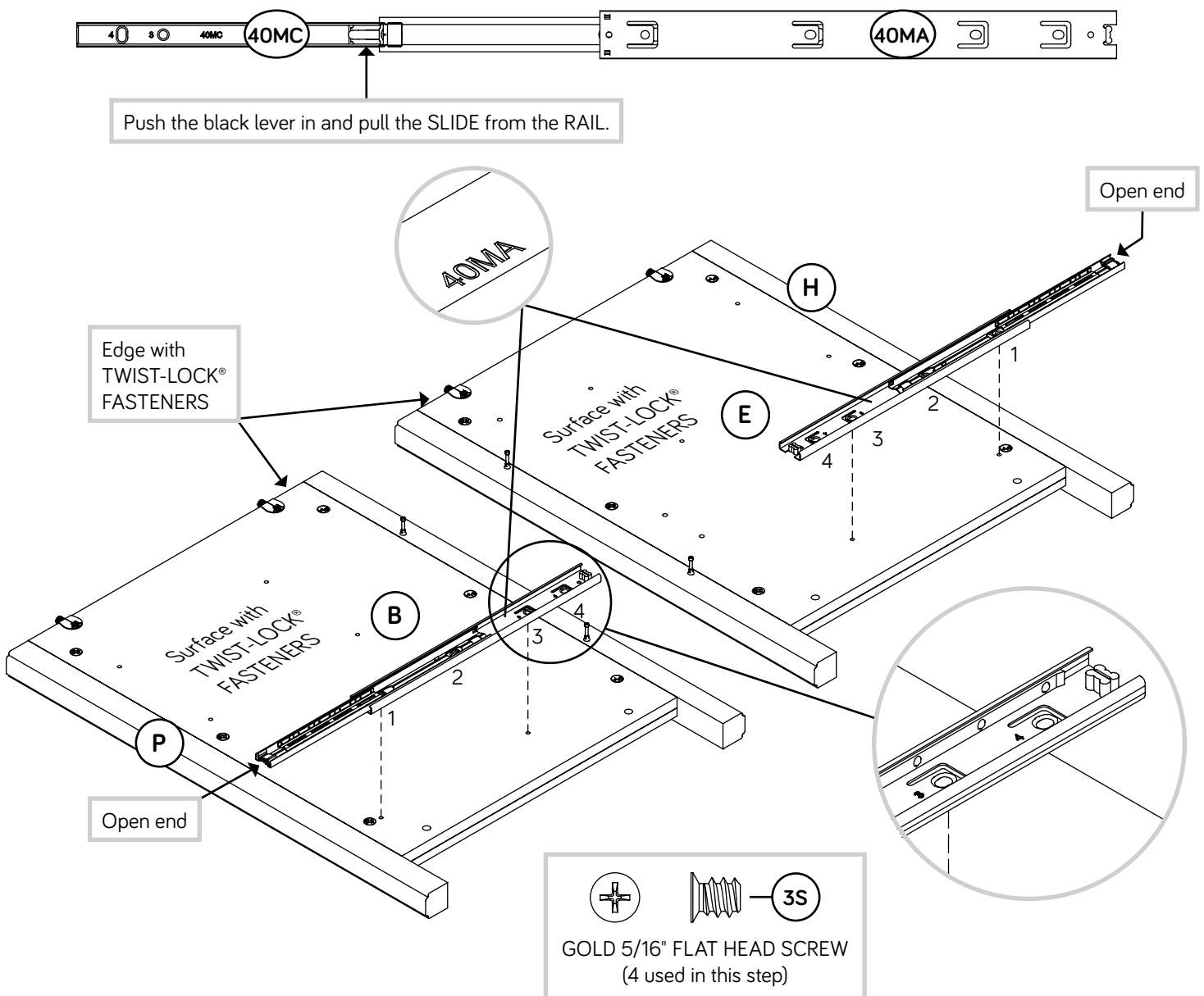
Inspect the parts thoroughly before assembling. Disassembly of glued parts is extremely difficult.



Step 11



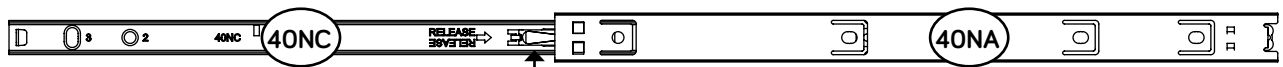
- ✚ Separate the EXTENSION SLIDES (40MC) from the EXTENSION RAILS (40MA) as shown in the upper diagram below. Be prepared, the parts are greasy.
- ✚ Fasten the EXTENSION RAILS (40MA) to the LEFT END (B) and LEFT UPRIGHT (E). Use four GOLD 5/16" FLAT HEAD SCREWS (3S) through holes #1 and #3.
- ✚ **NOTE:** For each EXTENSION RAIL, turn a SCREW into the hole shown in the enlarged diagram. Then, slide the inner cartridge of the EXTENSION RAIL in to find the other hole that lines up with the hole in the END and UPRIGHT. Turn a SCREW into this hole.
- ✚ **NOTE:** The EXTENSION SLIDES will be used later for the LARGE DRAWERS.



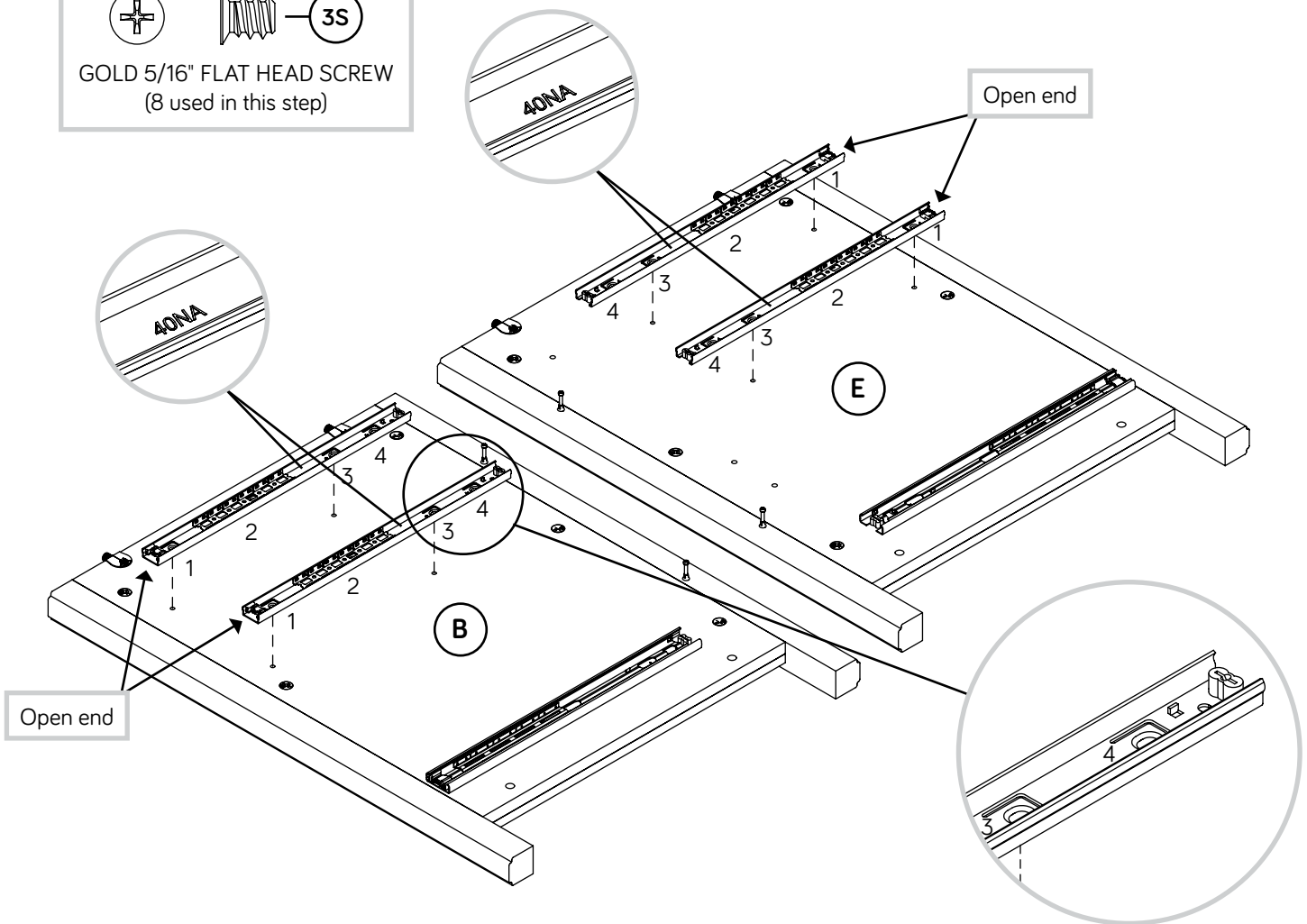
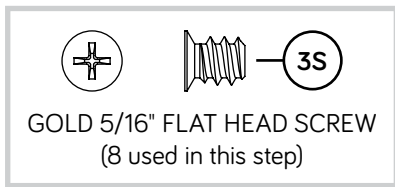
Step 12



- ✚ Separate the EXTENSION SLIDES (40NC) from the EXTENSION RAILS (40NA) as shown in the upper diagram below. Be prepared, the parts are greasy.
- ✚ Fasten four EXTENSION RAILS (40NA) to the LEFT END (B) and LEFT UPRIGHT (E). Use eight GOLD 5/16" FLAT HEAD SCREWS (3S) through holes #1 and #3.
- ✚ **NOTE:** For each EXTENSION RAIL, turn a SCREW into the hole shown in the enlarged diagram. Then, slide the inner cartridge of the EXTENSION RAIL in to find the other hole that lines up with the hole in the END and UPRIGHT. Turn a SCREW into this hole.
- ✚ **NOTE:** The EXTENSION SLIDES will be used later for the SMALL DRAWERS.



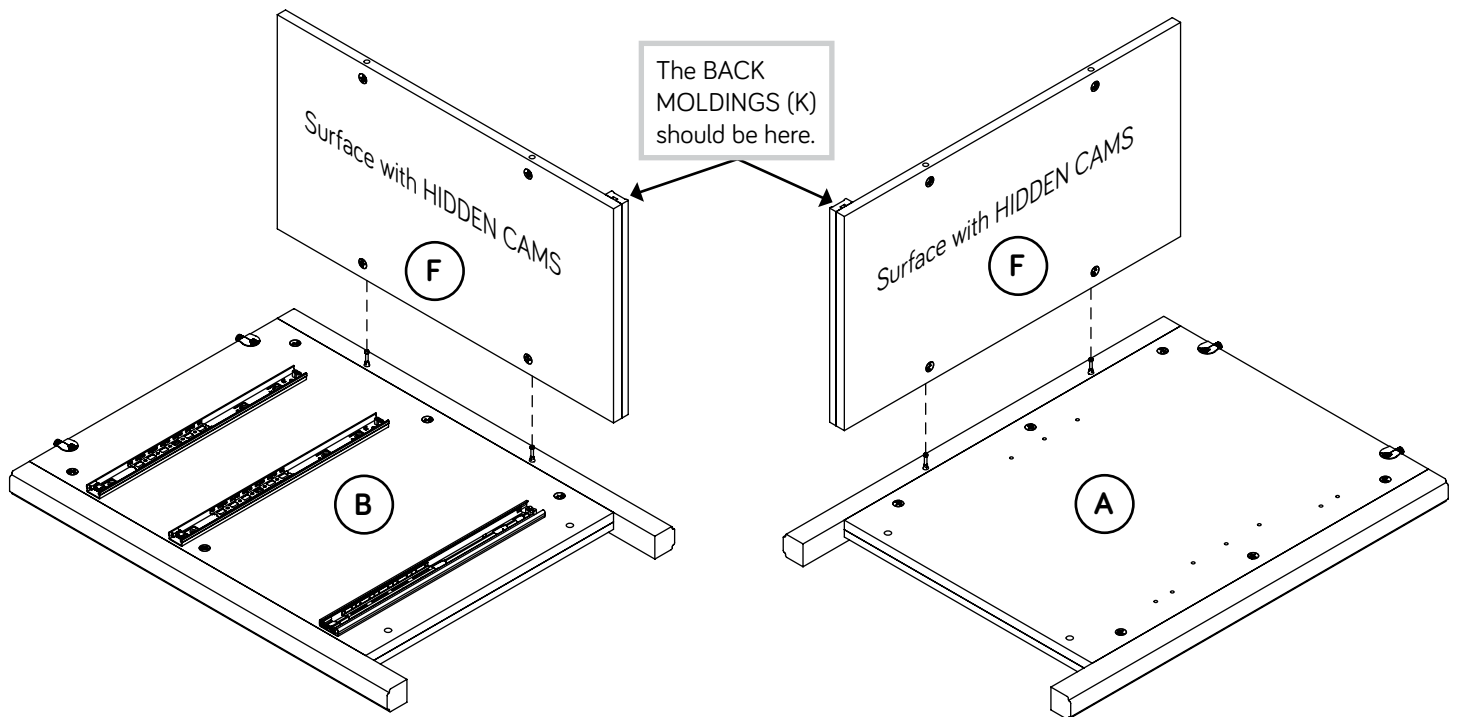
Push the black lever in and pull the SLIDE from the RAIL.



Step 13



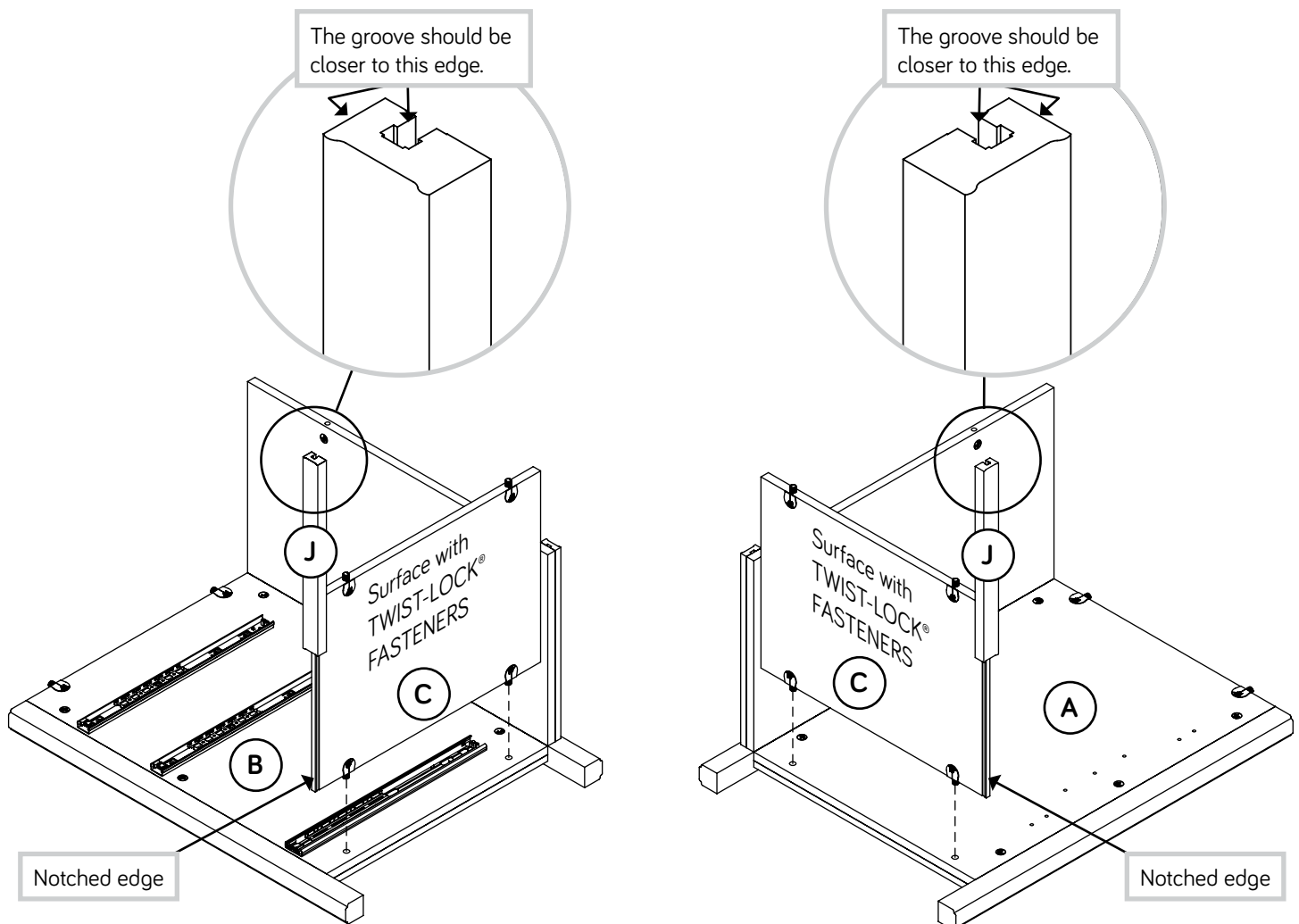
- Fasten the BACKS (F) to the ENDS (A and B). Tighten four HIDDEN CAMS.



Step 14



- Fasten the **BOTTOMS (C)** to the **ENDS (A and B)**. Tighten four **TWIST-LOCK® FASTENERS**.
- Slide the **BOTTOM MOLDINGS (J)** onto the notched edges of the **BOTTOMS (C)**.



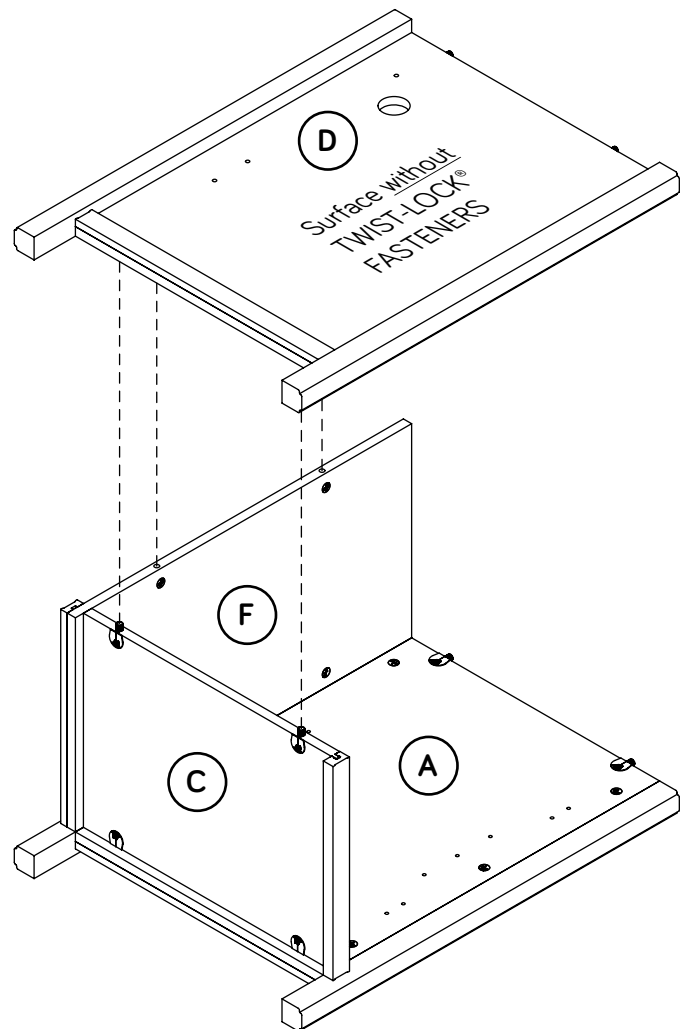
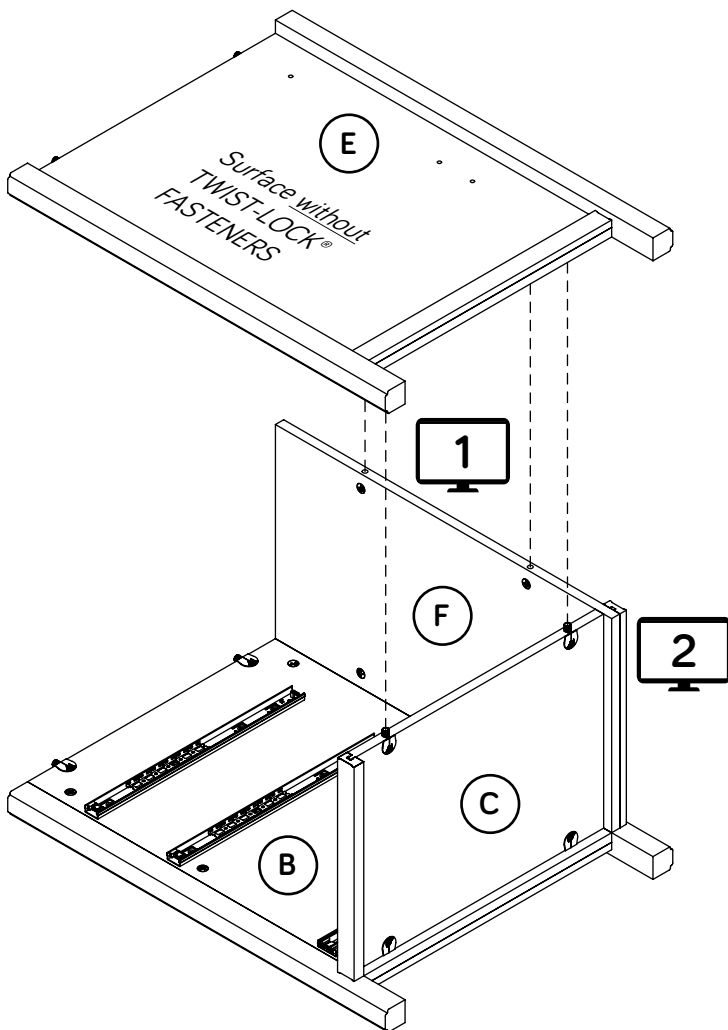
Step 15



Fasten the UPRIGHTS (D and E) to the BACKS (F) and BOTTOMS (C). Tighten four TWIST-LOCK® FASTENERS and four HIDDEN CAMS.

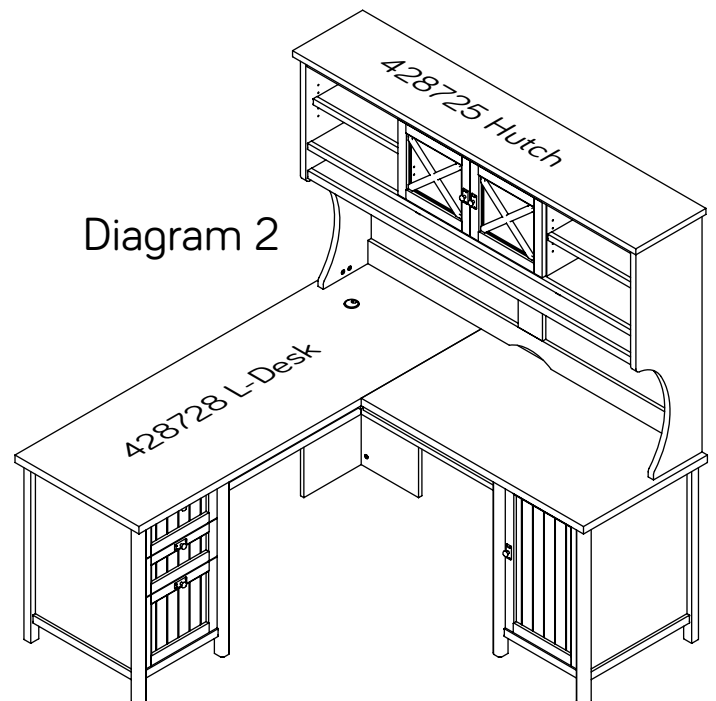
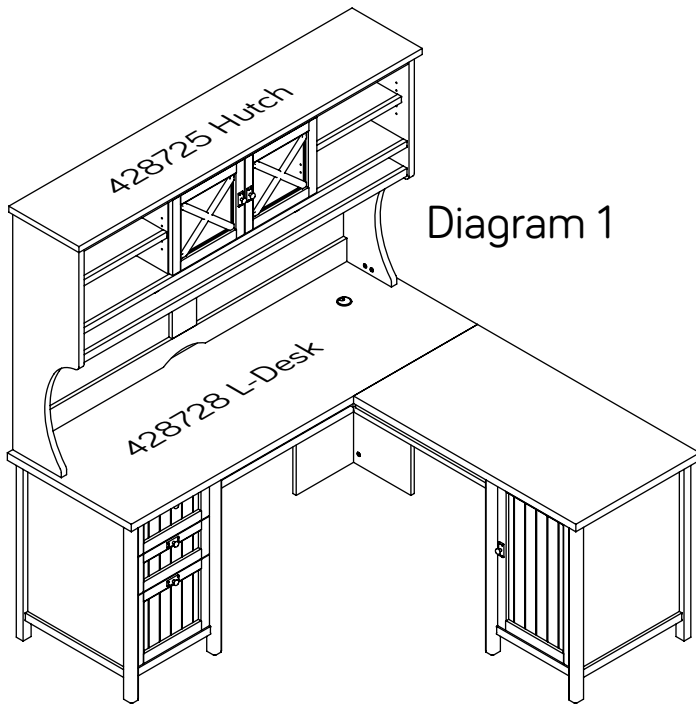


Don't worry. It isn't Rome. This can be built in a day.



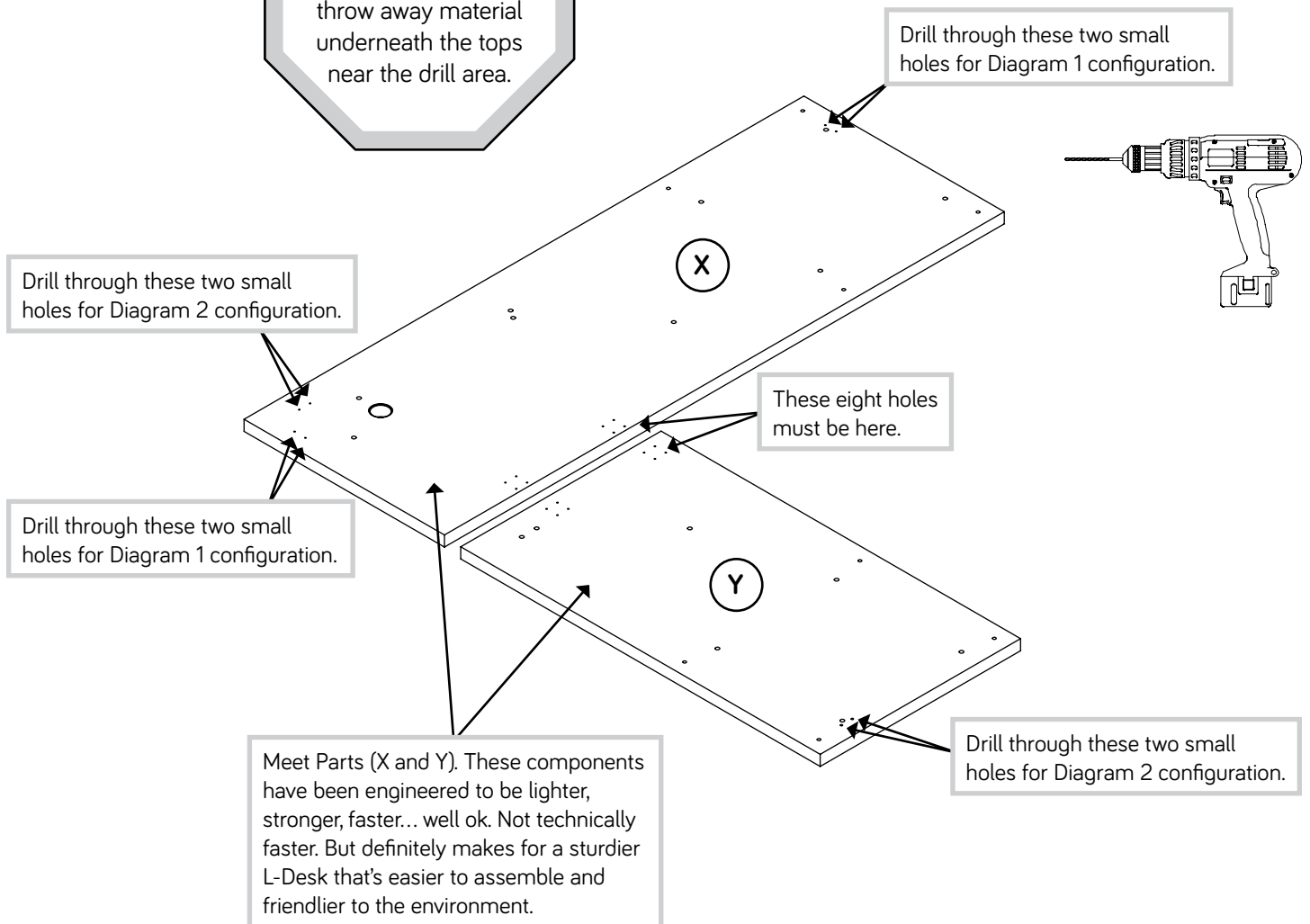
Step 16

- ✦ Skip this step and the next step if you did not purchase the 428725 Hutch.
- ✦ The 428728 L-Desk was made to hold the 428725 Hutch. There are two options for fastening the Hutch to the L-Desk as shown.



Step 17

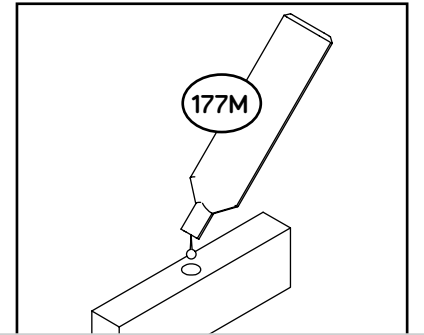
- ✚ **IMPORTANT:** Skip this step if you did not purchase the 428725 Hutch.
- ✚ Locate the TOP (X) and RETURN TOP (Y) and lay them on packing foam or magazines flat on the floor as shown.
- ✚ With a drill and 3/16" drill bit, finish drilling through the four holes shown based on your Diagram 1 or 2 preference in Step 16.



Step 18



- First, fill the holes in the LEGS (H, P, Q, and R) 1/4 to 1/2 full with GLUE (177M). Then, insert the WOOD DOWELS (15F) into the holes. Wipe away the excess GLUE (177M).
- Now, fill the four holes in the TOP (X) 1/4 to 1/2 full with GLUE.
- Fasten the LEFT END (B) and LEFT UPRIGHT (E) to the TOP (X). Tighten four TWIST-LOCK® FASTENERS. Wipe away the excess glue.
- NOTE:** Be sure the WOOD DOWELS insert into the holes in the TOP.

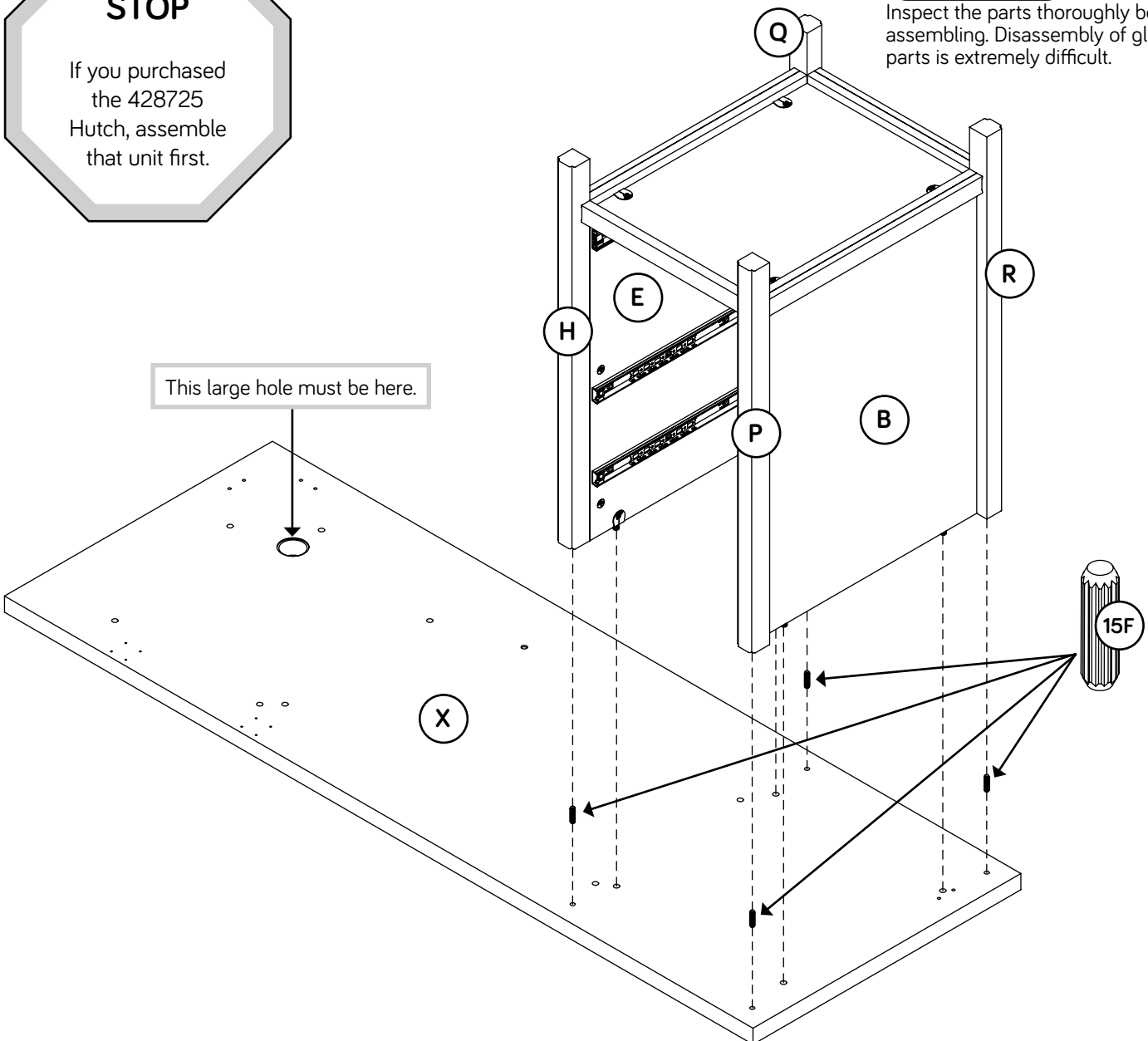


Fill the holes 1/4 to 1/2 full with GLUE.



Caution

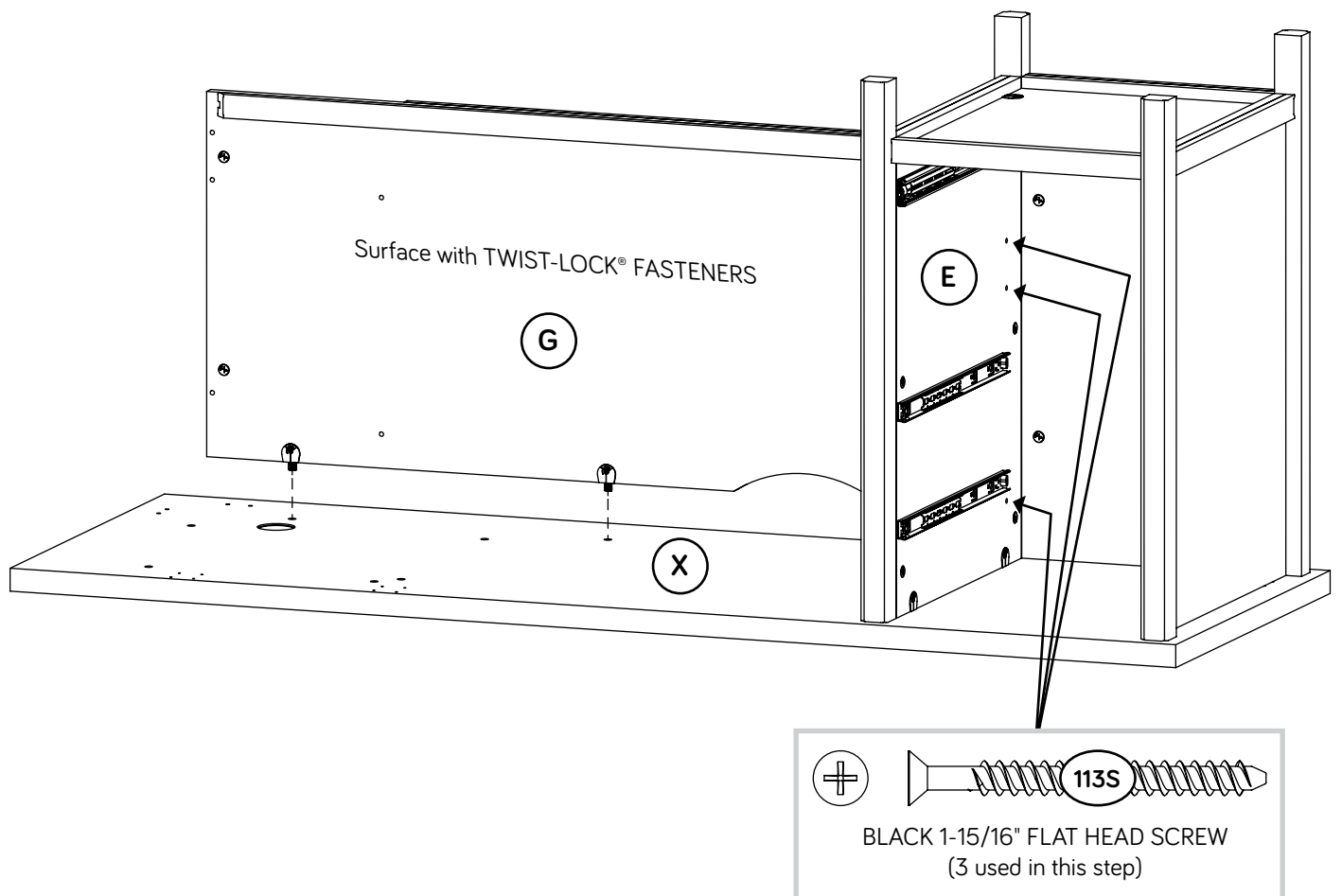
Inspect the parts thoroughly before assembling. Disassembly of glued parts is extremely difficult.



Step 19



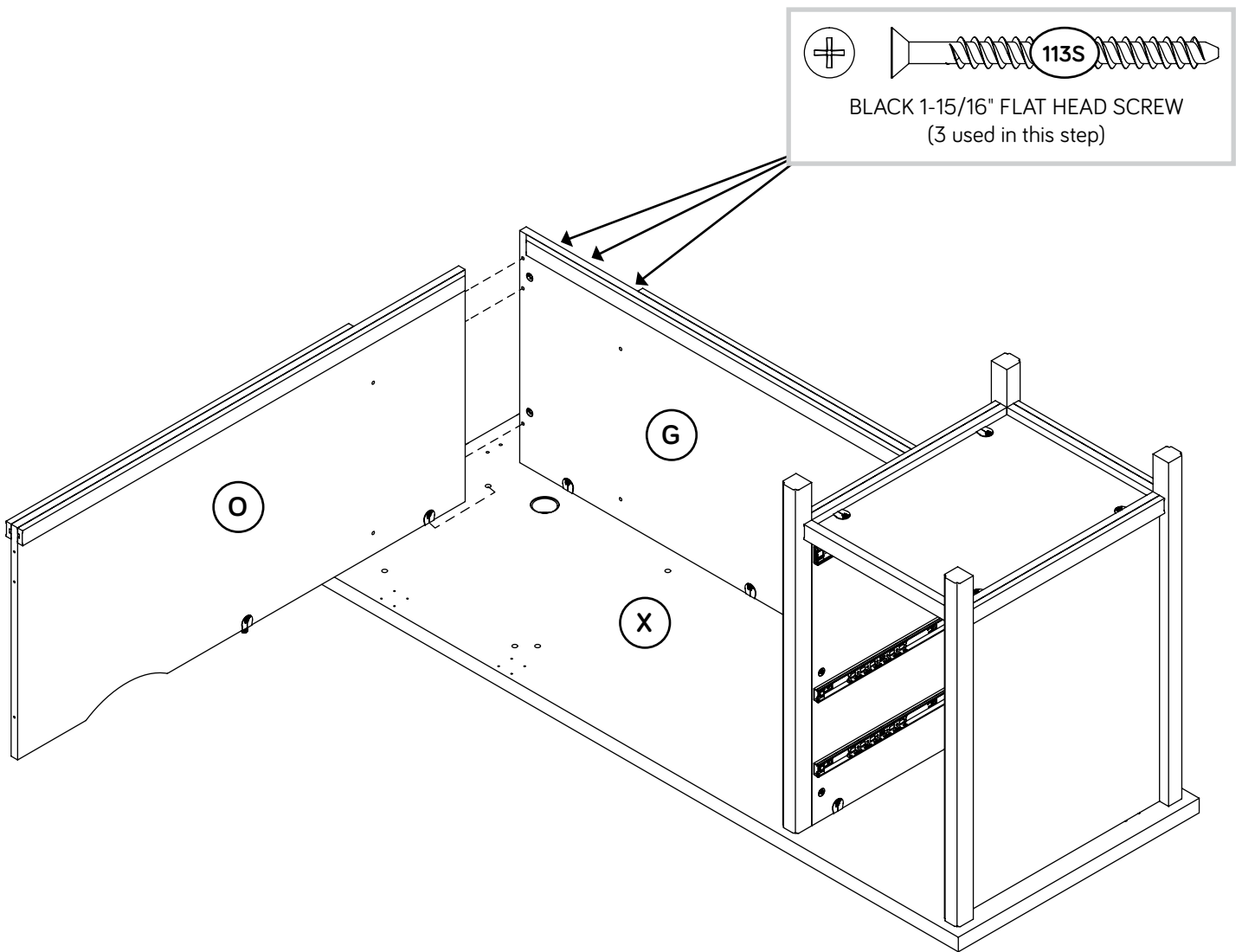
- ✦ Fasten the LEFT MODESTY PANEL (G) to the TOP (X). Tighten two TWIST-LOCK® FASTENERS.
- ✦ Fasten the LEFT MODESTY PANEL (G) to the LEFT UPRIGHT (E). Use three BLACK 1-15/16" FLAT HEAD SCREWS (113S).



Step 20



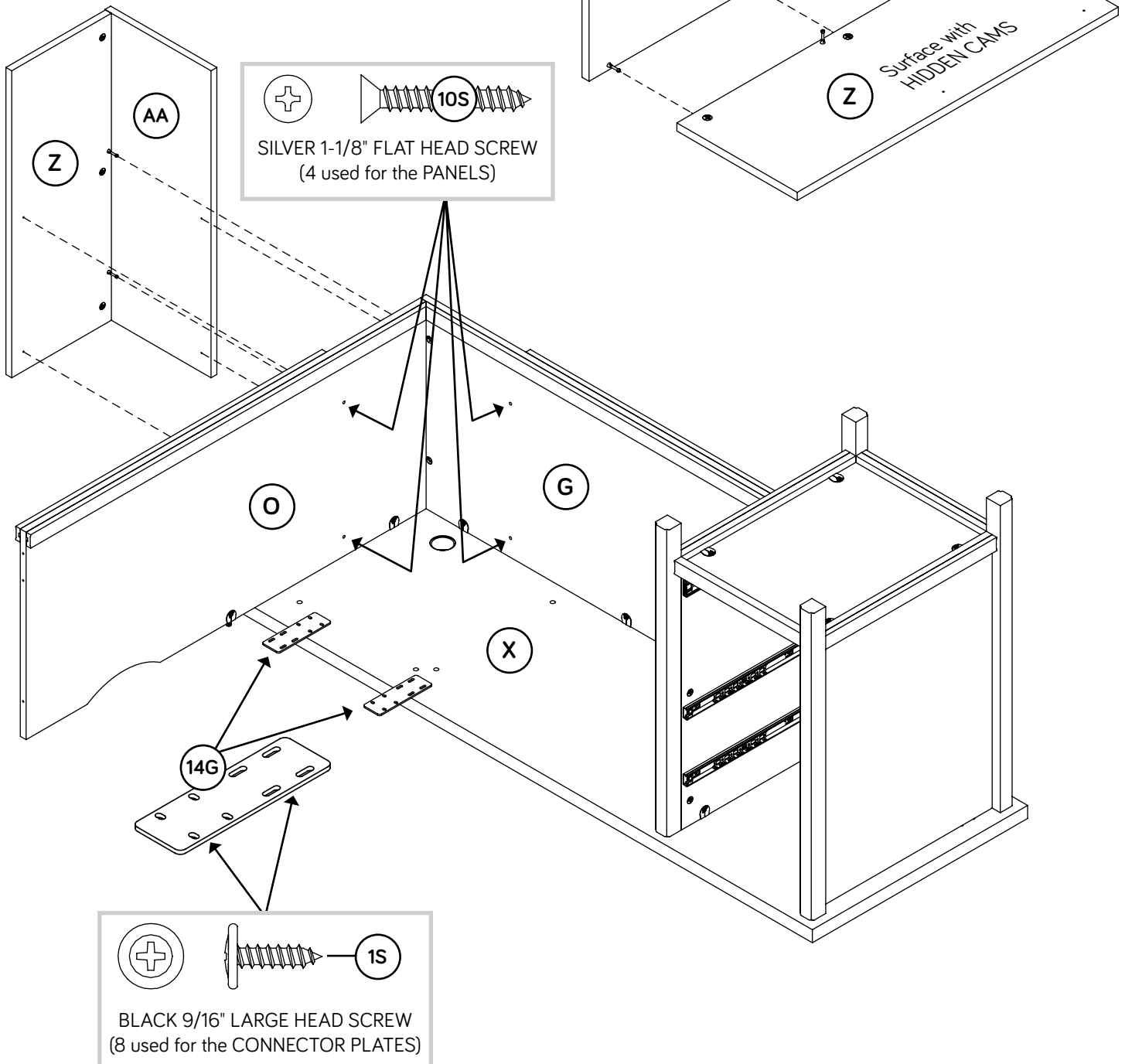
- Fasten the RIGHT MODESTY PANEL (O) to the TOP (X). Tighten one TWIST-LOCK® FASTENER.
- Fasten the RIGHT MODESTY PANEL (O) to the LEFT MODESTY PANEL (G). Use three BLACK 1-15/16" FLAT HEAD SCREWS (113S).



Step 21



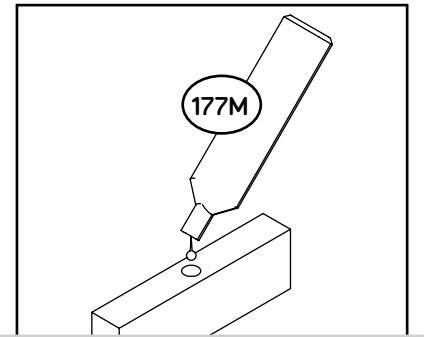
- Fasten the LEFT PANEL (AA) to the RIGHT PANEL (Z). Tighten three HIDDEN CAMS.
- Fasten the PANELS (Z and AA) to the MODESTY PANELS (O and G). Use four SILVER 1-1/8" FLAT HEAD SCREWS (10S). Tighten two HIDDEN CAMS.
- Fasten two CONNECTOR PLATES (14G) to the TOP (X). Use eight BLACK 9/16" LARGE HEAD SCREWS (1S).



Step 22



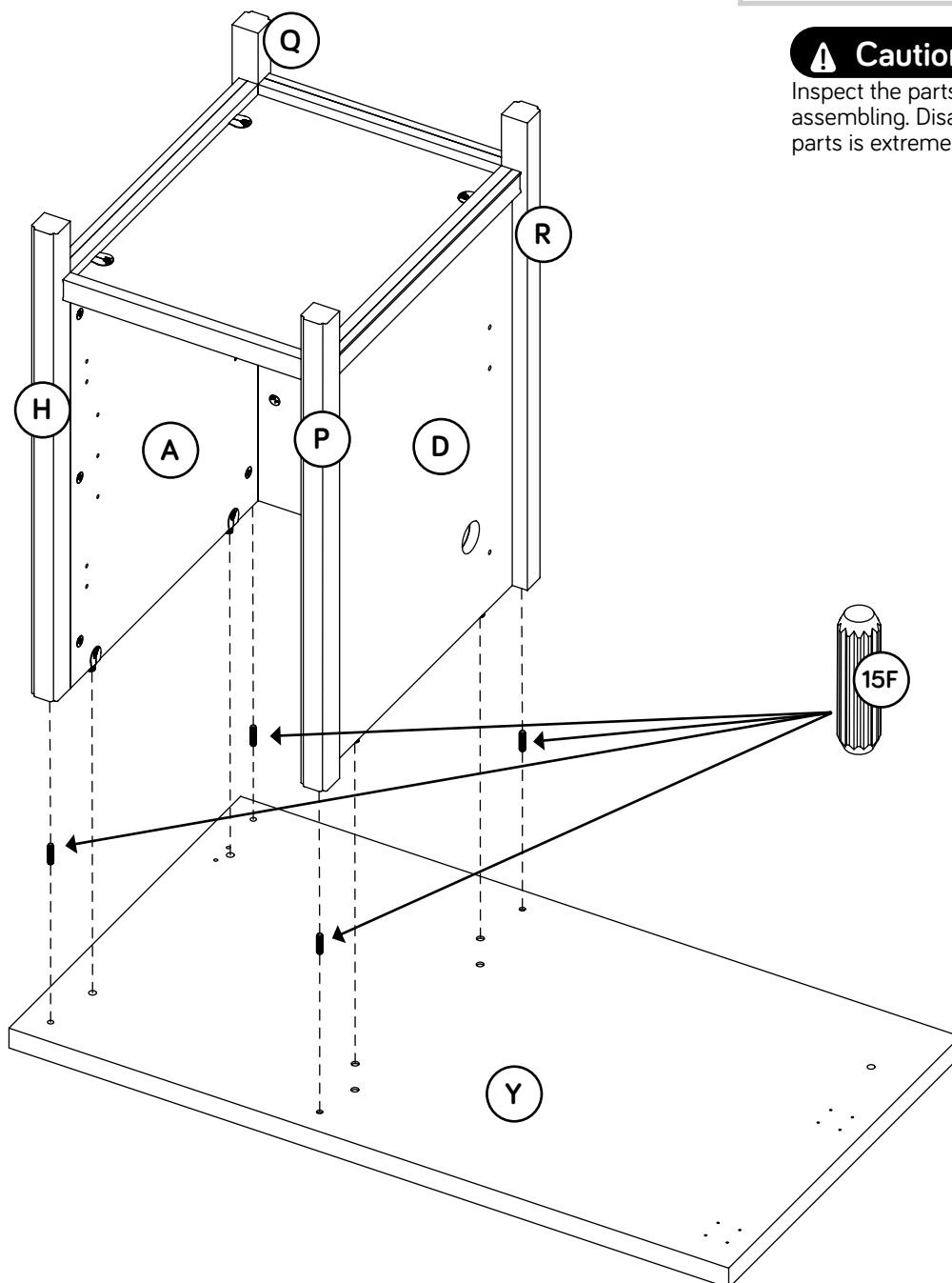
- First, fill the holes in the LEGS (H, P, Q, and R) 1/4 to 1/2 full with GLUE (177M). Then, insert the WOOD DOWELS (15F) into the holes. Wipe away the excess GLUE (177M).
- Now, fill the four holes in the TOP (Y) 1/4 to 1/2 full with GLUE.
- Fasten the RIGHT END (A) and RIGHT UPRIGHT (D) to the TOP (Y). Tighten four TWIST-LOCK® FASTENERS. Wipe away the excess glue.
- NOTE:** Be sure the WOOD DOWELS insert into the holes in the TOP.



Fill the holes 1/4 to 1/2 full with GLUE.

Caution

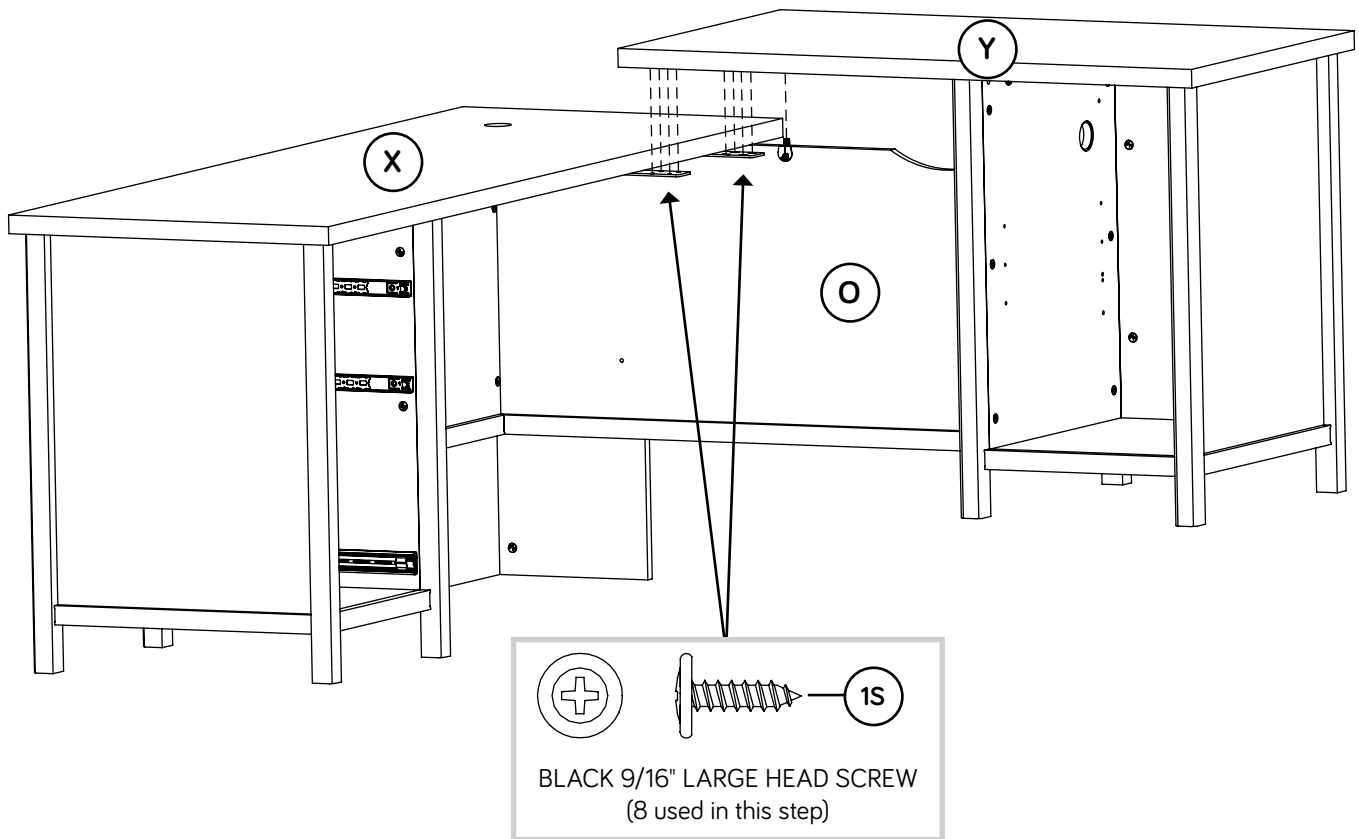
Inspect the parts thoroughly before assembling. Disassembly of glued parts is extremely difficult.



Step 23

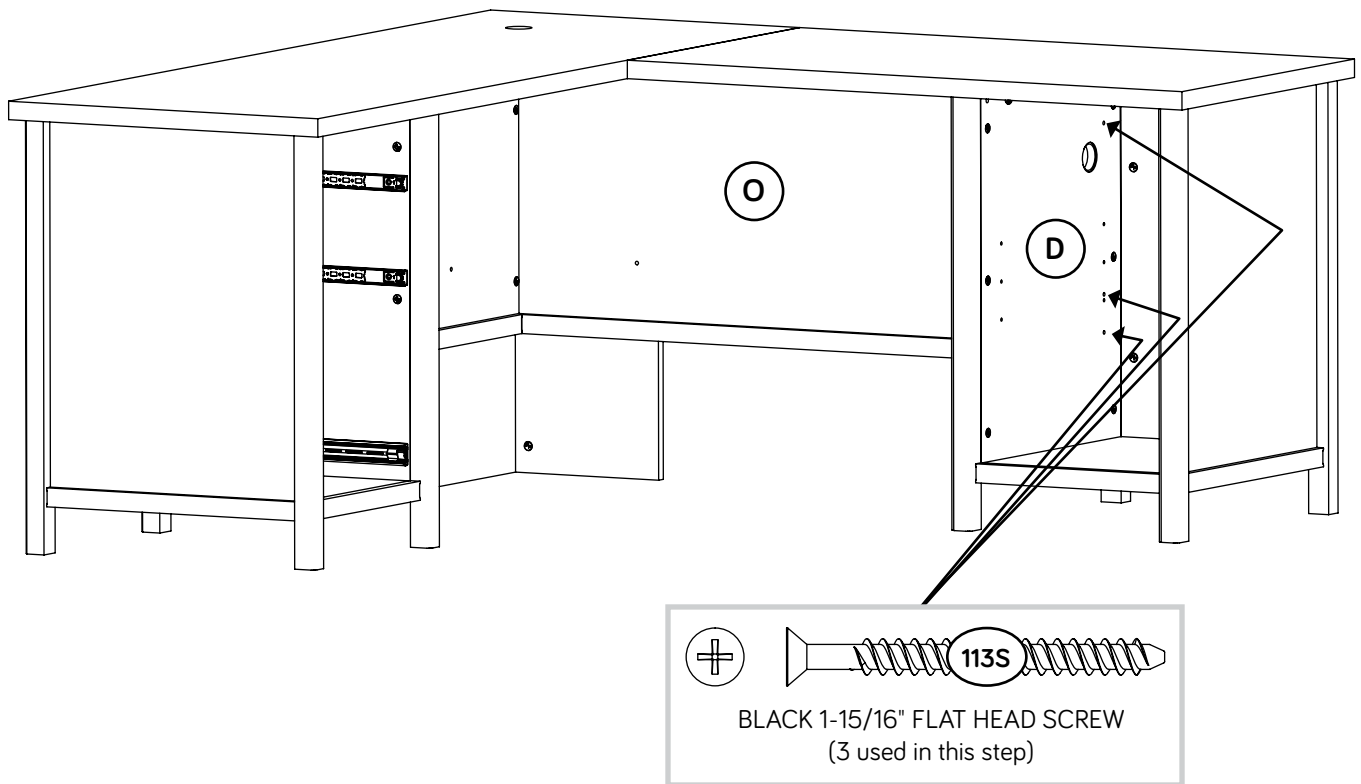


- ⚠ This step will require a second person. Carefully stand your unit upright.
- ⚠ Fasten the RETURN TOP (Y) to the TOP (X). Use eight BLACK 9/16" LARGE HEAD SCREWS (1S).
- ⚠ Fasten the MODESTY PANEL (O) to the RETURN TOP (Y). Tighten the TWIST-LOCK® FASTENER.



Step 24

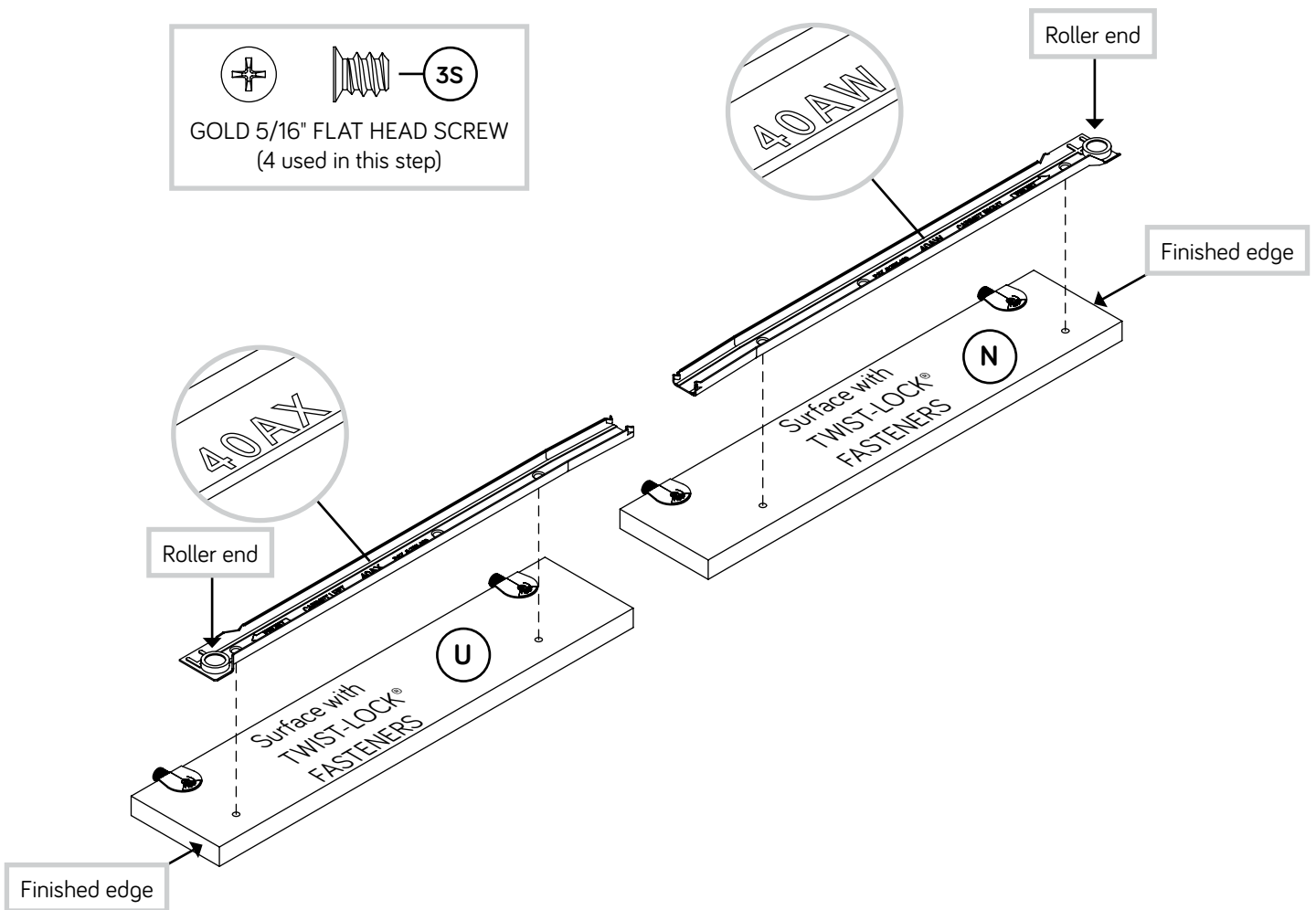
- Fasten the RIGHT MODESTY PANEL (O) to the RIGHT UPRIGHT (D). Use three BLACK 1-15/16" FLAT HEAD SCREWS (113S).



Step 25



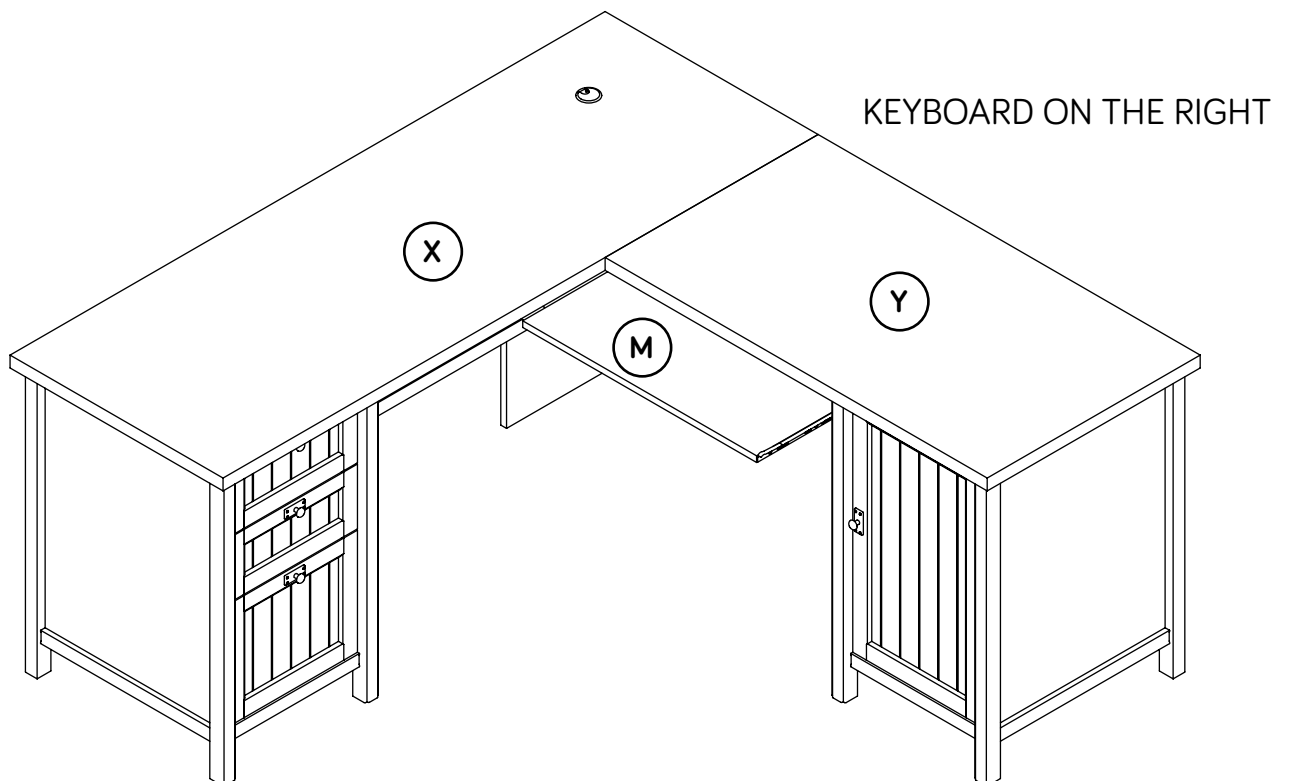
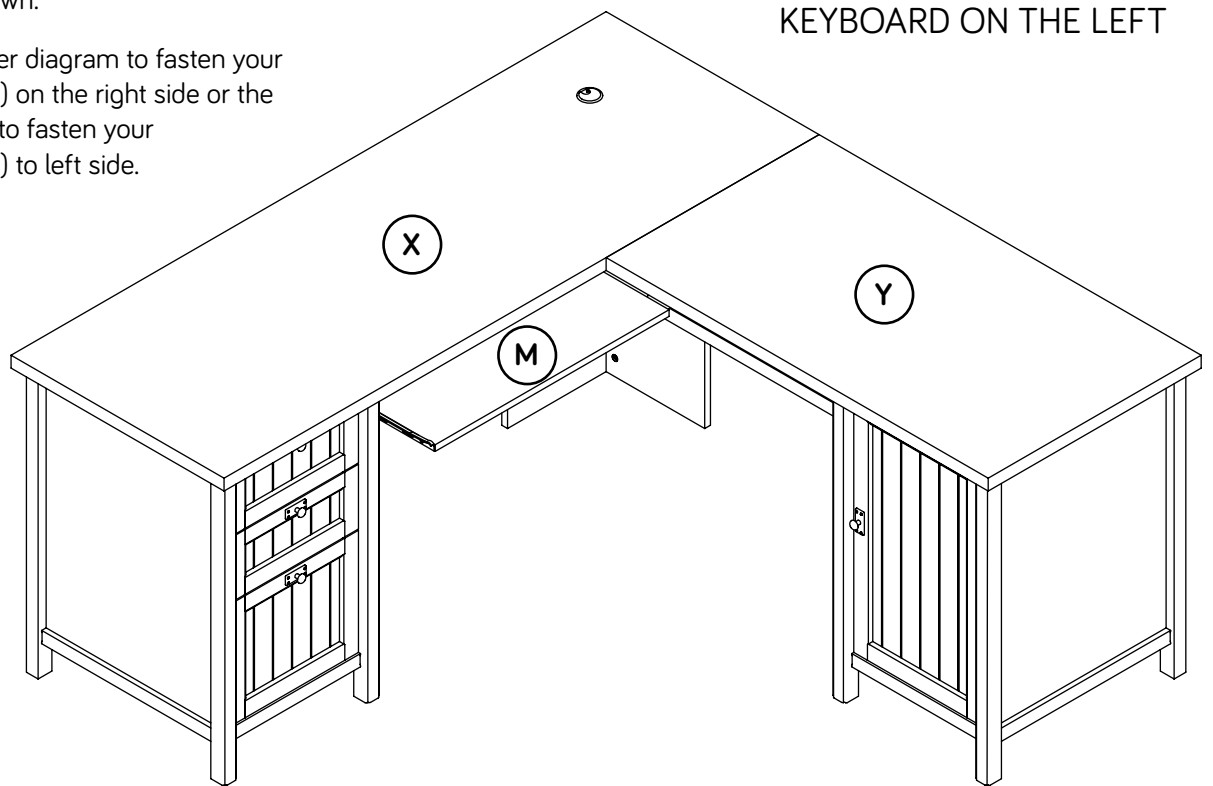
- Fasten the CABINET RIGHT (40AW) to the RIGHT UPRIGHT (N) and the CABINET LEFT (40AX) to the LEFT UPRIGHT (U). Use four GOLD 5/16" FLAT HEAD SCREWS (3S).



Step 26

✦ You have the option to mount your KEYBOARD SHELF (M) underneath the RETURN TOP (Y) or TOP (X) as shown.

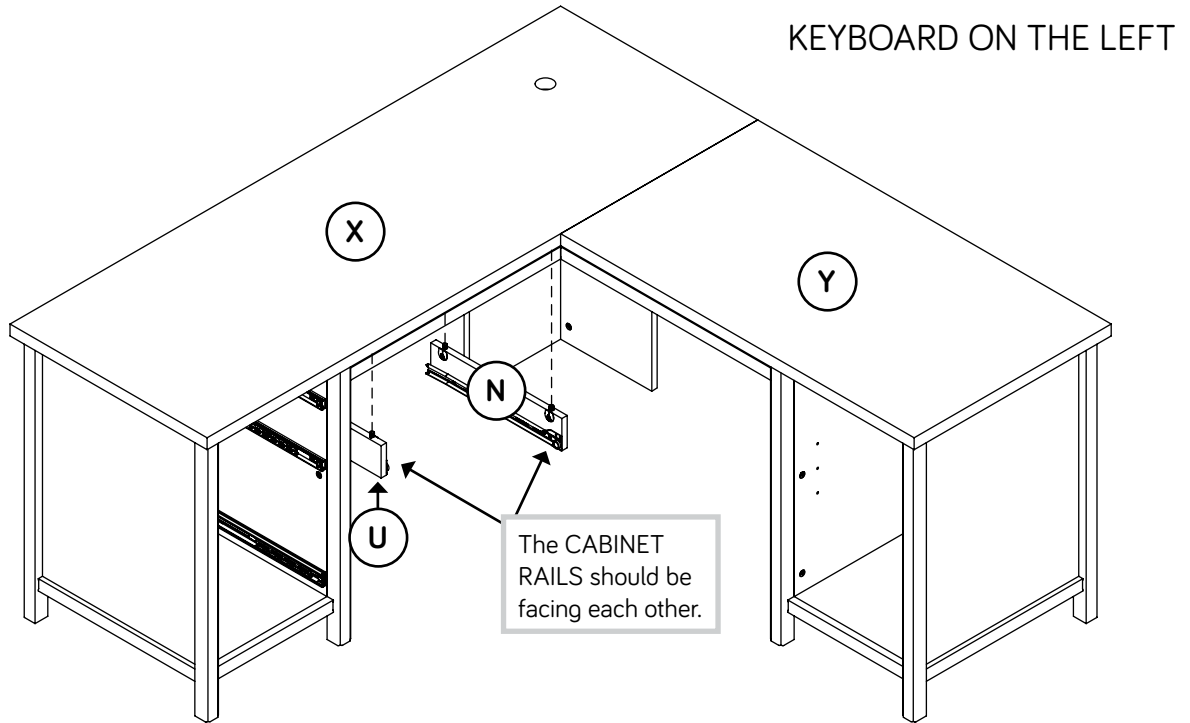
✦ Follow the upper diagram to fasten your KEYBOARD (M) on the right side or the lower diagram to fasten your KEYBOARD (M) to left side.



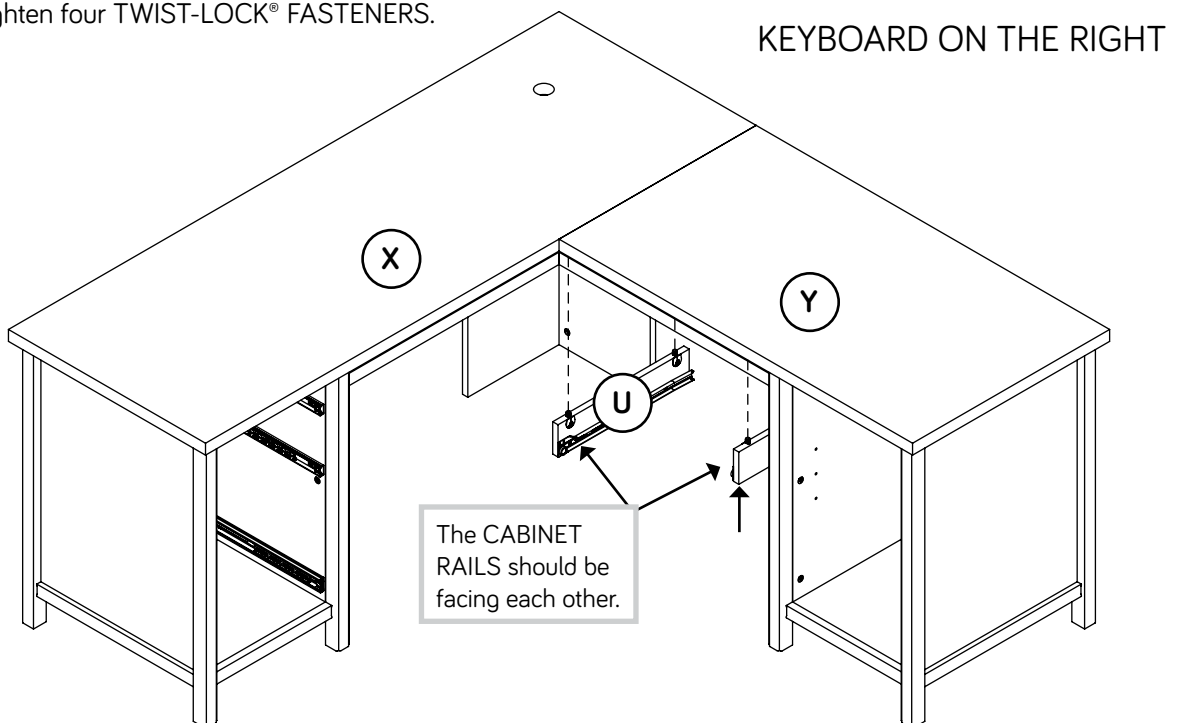
Step 27



- Fasten the KEYBOARD UPRIGHTS (N and U) to the TOP (X).
Tighten four TWIST-LOCK® FASTENERS.



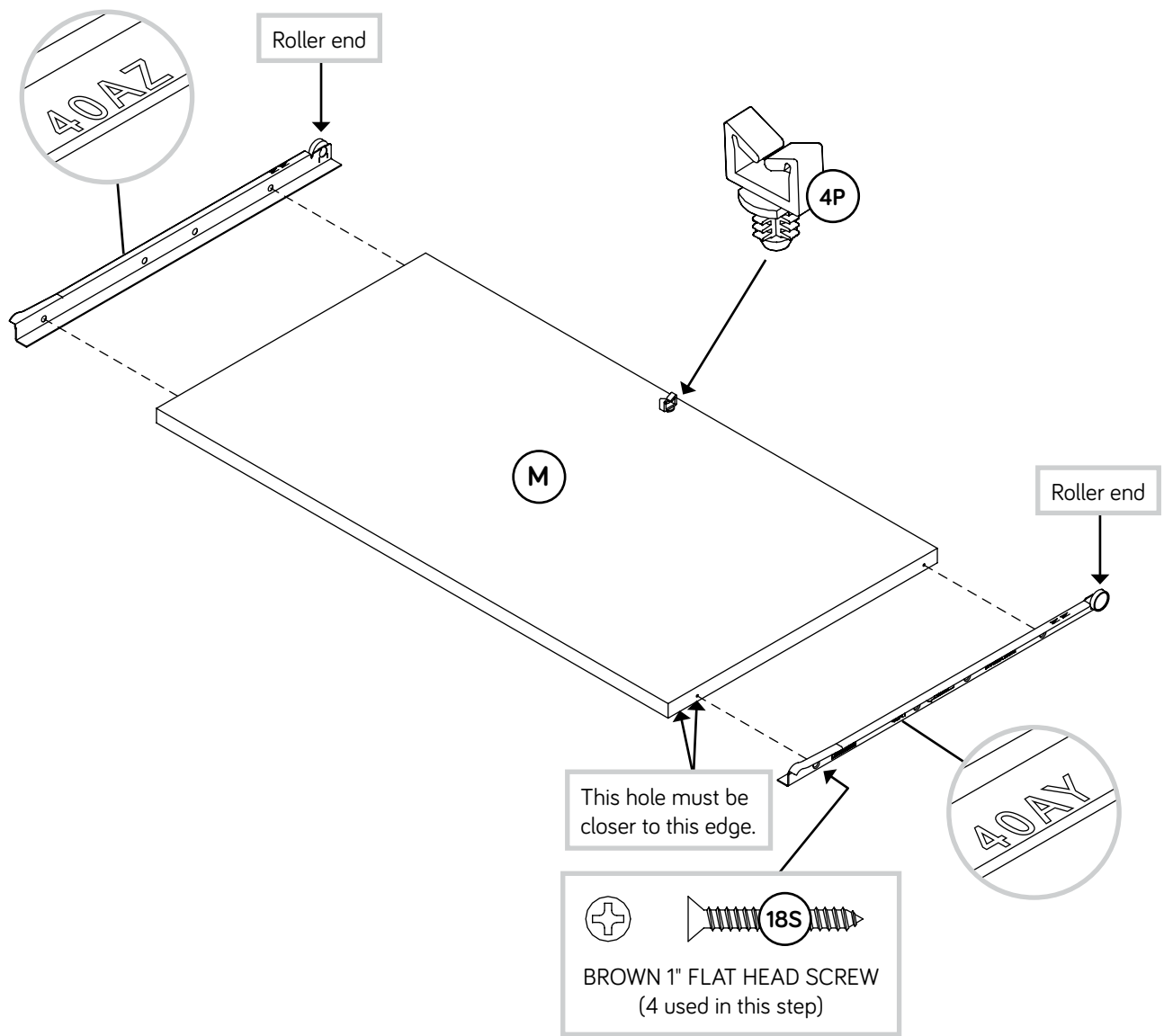
- Fasten the LEFT KEYBOARD UPRIGHT (U) to the TOP (X)
and the RIGHT KEYBOARD UPRIGHT (N) to the RETURN
TOP (Y). Tighten four TWIST-LOCK® FASTENERS.



Step 28



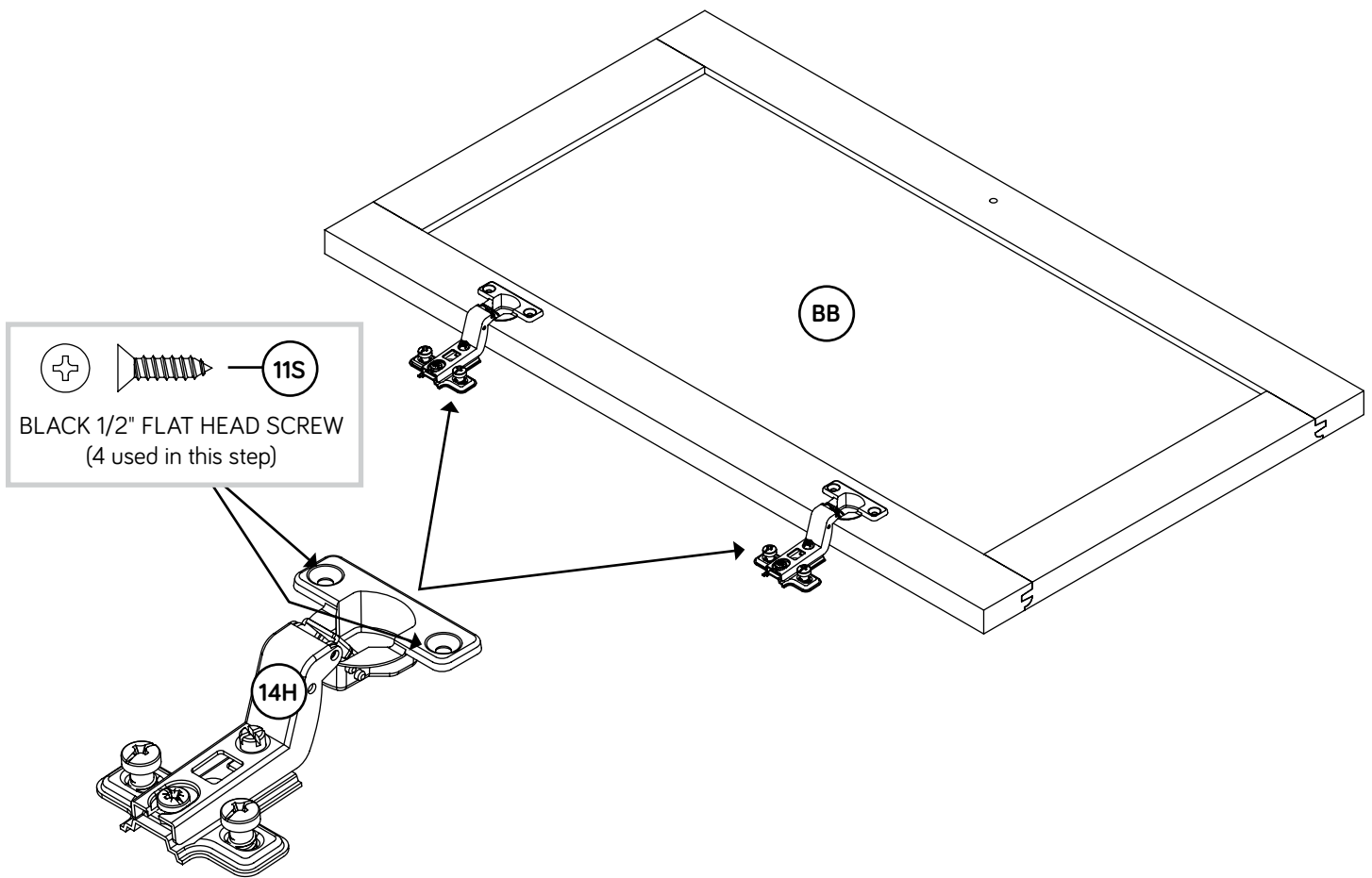
- Fasten the DRAWER RIGHT (40AY) and DRAWER LEFT (40AZ) to the KEYBOARD SHELF (M). Use four BROWN 1" FLAT HEAD SCREWS (18S).
- Push a CORD CLIP (4P) into the hole in the KEYBOARD SHELF (M).
- NOTE:** The CORD CLIP is used to hold your keyboard cord against the KEYBOARD SHELF.



Step 29



- Fasten two HINGES (14H) to the DOOR (BB). Use four BLACK 1/2" FLAT HEAD SCREWS (11S).

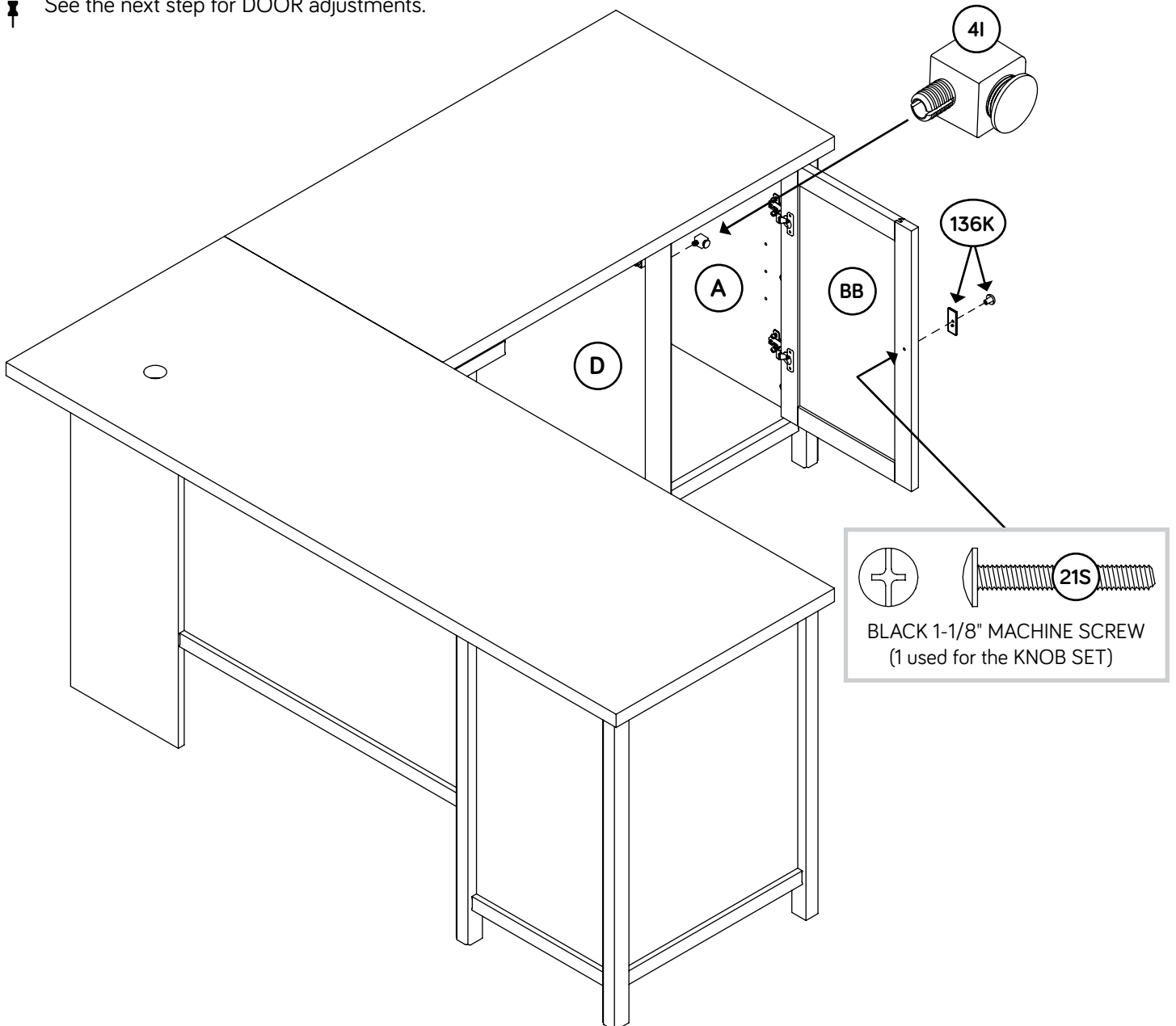
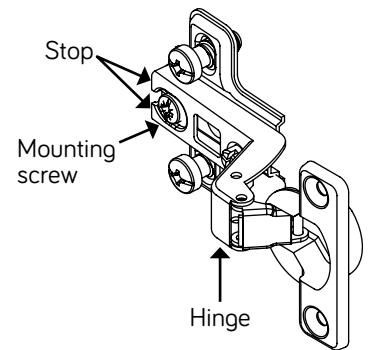


Step 30

17

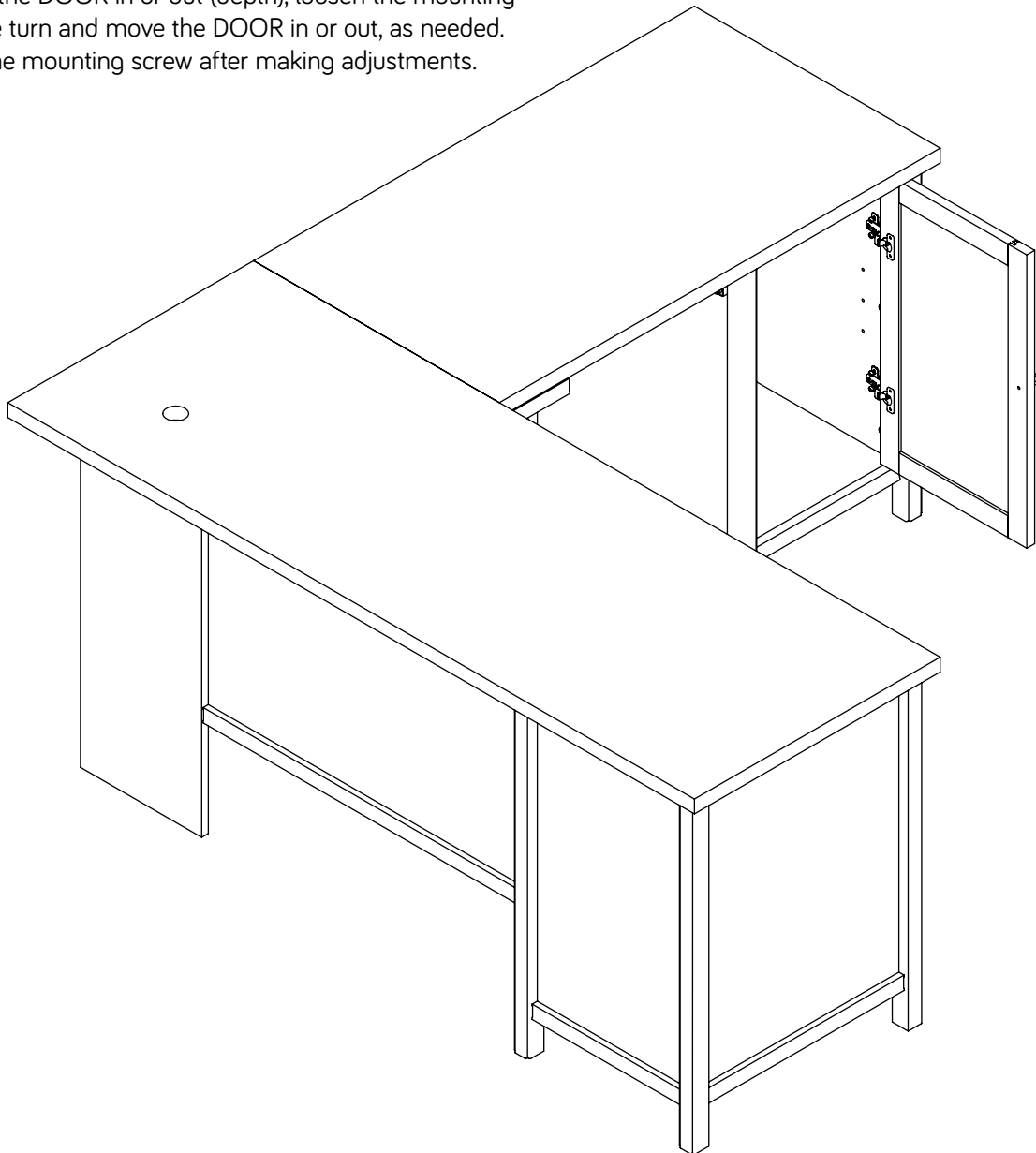
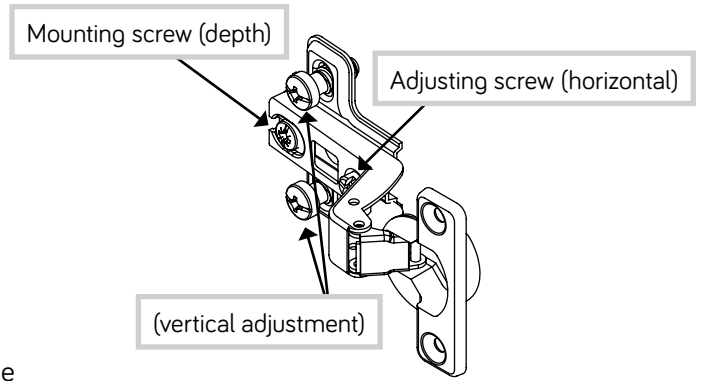


- ✦ Before fastening the DOOR to your unit, be sure the mounting screw is against the stops as shown in the right diagram. If it isn't, loosen the mounting screw to slide it against the stops. Then tighten the mounting screw.
- ✦ Fasten the DOOR (BB) to the RIGHT END (A) as shown in the lower diagram. Use the screws in the HINGES. You should start each SCREW a few turns before completely tightening any of them.
- ✦ Fasten a KNOB SET (136K) to the DOOR (BB). Use a BLACK 1-1/8" MACHINE SCREW (21S).
- ✦ Push the DOOR STOP (4I) into the RIGHT UPRIGHT (D).
- ✦ See the next step for DOOR adjustments.





- ✦ Refer to the enlarged diagram to identify the parts on the HINGES.
- ✦ The DOOR may need some adjustments. Follow the text below to make needed adjustments.
- ✦ DOOR ADJUSTMENTS:
 - To adjust the DOORS from side to side (horizontal), turn the adjusting screw in or out.
 - To adjust the DOOR up and down (vertical), loosen both vertical adjustment screws. Move the DOOR up or down to the desired location. Tighten the screws after making adjustments.
 - To adjust the DOOR in or out (depth), loosen the mounting screw one turn and move the DOOR in or out, as needed. Tighten the mounting screw after making adjustments.

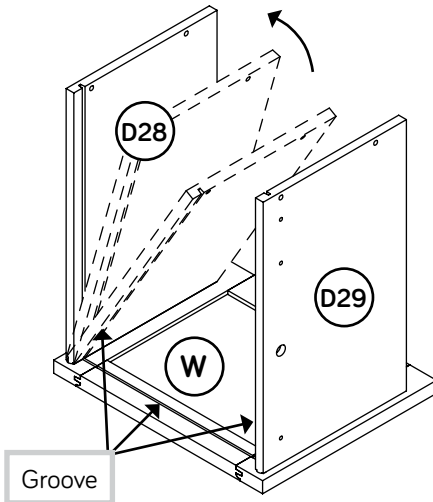


Step 32



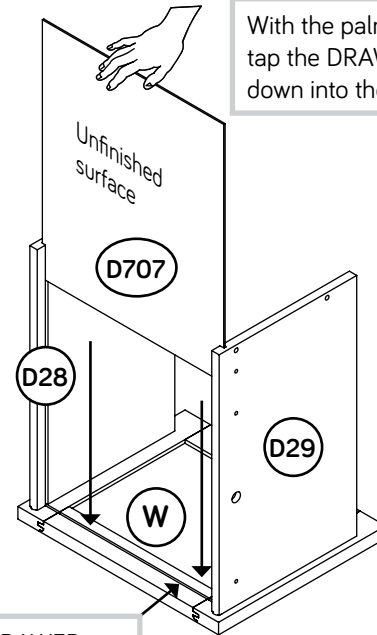
1

The tabs should insert freely into the slots. Gently tilt the DRAWER SIDES side to side until the tabs slip into the slots.



2

With the palm of your hand, tap the DRAWER BOTTOM down into the groove.



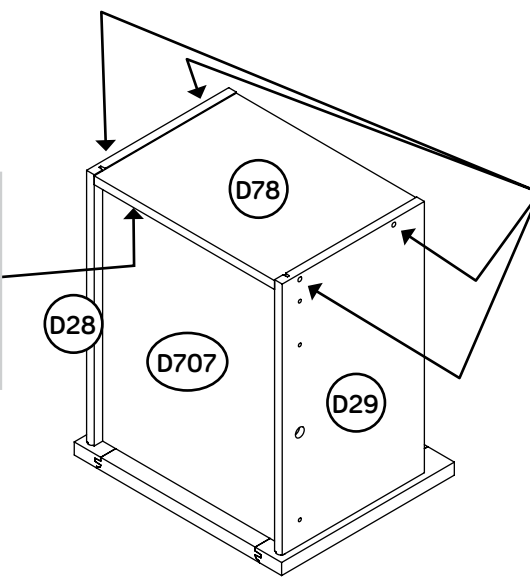
Be sure the DRAWER BOTTOM inserts into the DRAWER FRONT groove.

✚ Insert the LARGE DRAWER SIDES (D28 and D29) at an angle into the slot at each end of the LARGE DRAWER FRONT (W).

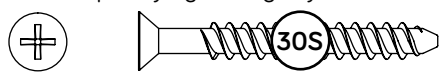
✚ Slide the LARGE DRAWER BOTTOM (D707) into the grooves in the LARGE DRAWER SIDES (D28 and D29) and LARGE DRAWER FRONT (W).

3

Be sure the DRAWER BOTTOM inserts into the DRAWER BACK groove.



Start each screw a few turns before completely tightening any of them.



BLACK 1-9/16" FLAT HEAD SCREW
(4 used in this step)

✚ Fasten the LARGE DRAWER BACK (D78) to the LARGE DRAWER SIDES (D28 and D29). Use four BLACK 1-9/16" FLAT HEAD SCREWS (30S).

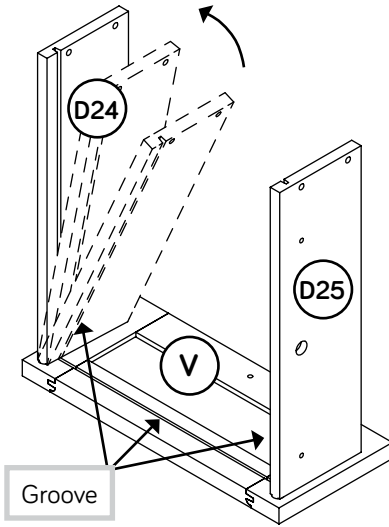
✚ NOTE: Be sure the LARGE DRAWER BOTTOM (D707) inserts into the groove of the LARGE DRAWER BACK (D78).

Step 33



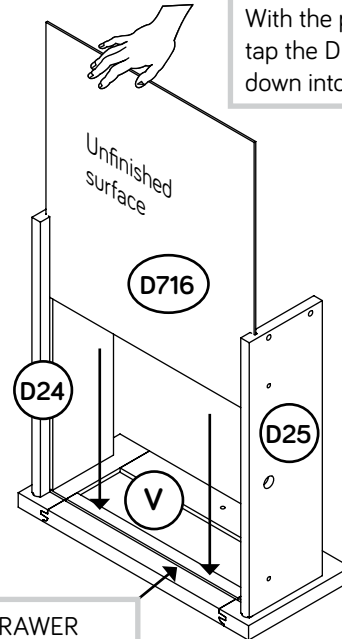
1

The tabs should insert freely into the slots. Gently tilt the DRAWER SIDES side to side until the tabs slip into the slots.



- ✚ Insert the SMALL DRAWER SIDES (D24 and D25) at an angle into the slot at each end of the SMALL DRAWER FRONT (V).

With the palm of your hand, tap the DRAWER BOTTOM down into the groove.

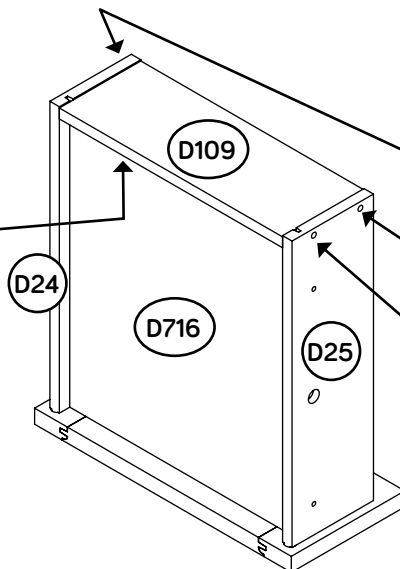


Be sure the DRAWER BOTTOM inserts into the DRAWER FRONT groove.

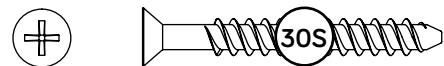
- ✚ Slide the SMALL DRAWER BOTTOM (D716) into the grooves in the SMALL DRAWER SIDES (D24 and D25) and SMALL DRAWER FRONT (V).

3

Be sure the DRAWER BOTTOM inserts into the DRAWER BACK groove.



Start each screw a few turns before completely tightening any of them.



BLACK 1-9/16" FLAT HEAD SCREW (4 used in this step)

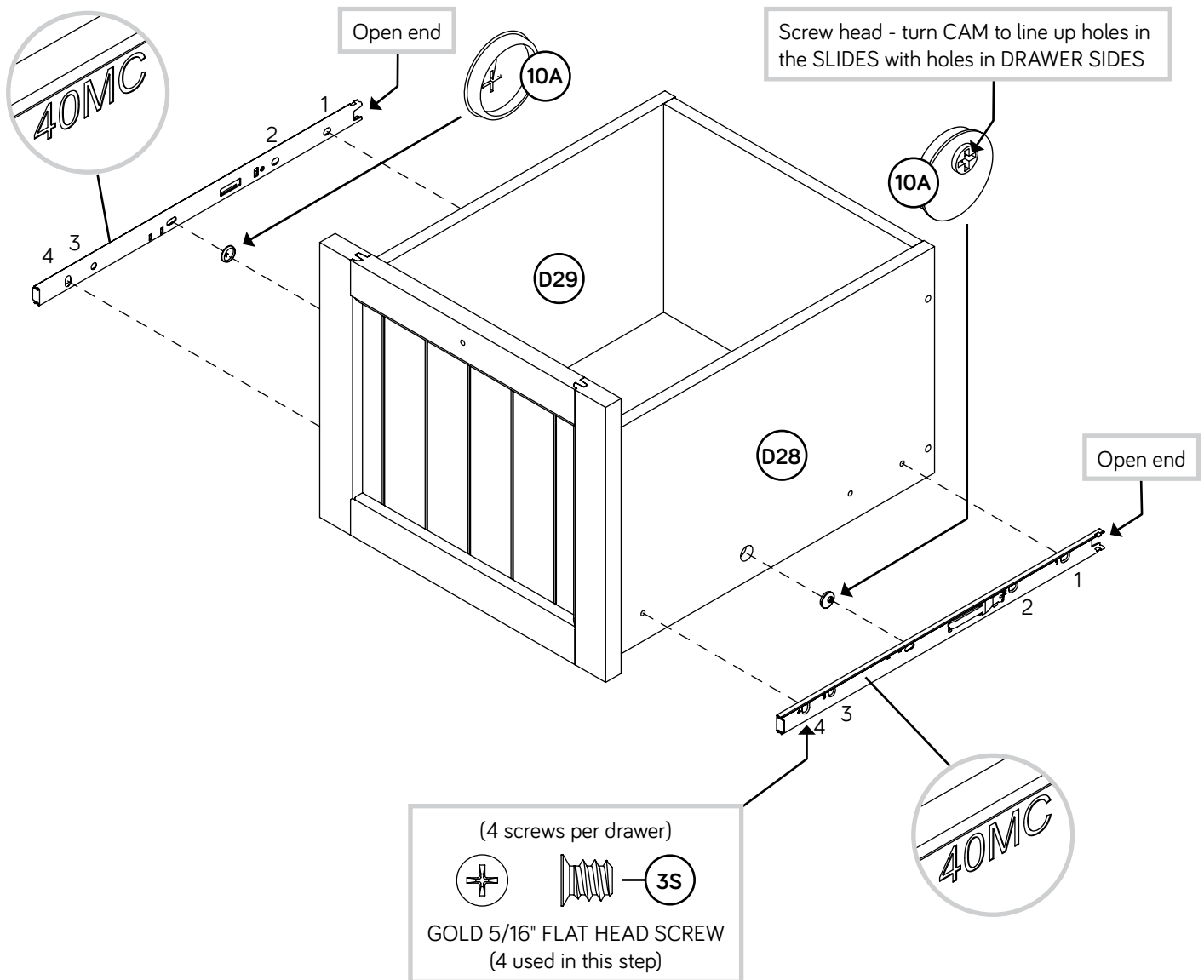
NOTE: Do not use this hole in the SMALL drawers. This hole will be used in Step 36.

- ✚ **NOTE:** The SMALL drawers will only use two SCREWS per drawer. Refer to the diagram.
- ✚ Fasten the SMALL DRAWER BACK (D109) to the SMALL DRAWER SIDES (D24 and D25). Use two BLACK 1-9/16" FLAT HEAD SCREWS (30S).
- ✚ **NOTE:** Be sure the SMALL DRAWER BOTTOM (D716) inserts into the groove of the SMALL DRAWER BACK (D109).
- ✚ Repeat this step for the other SMALL drawer.

Step 34

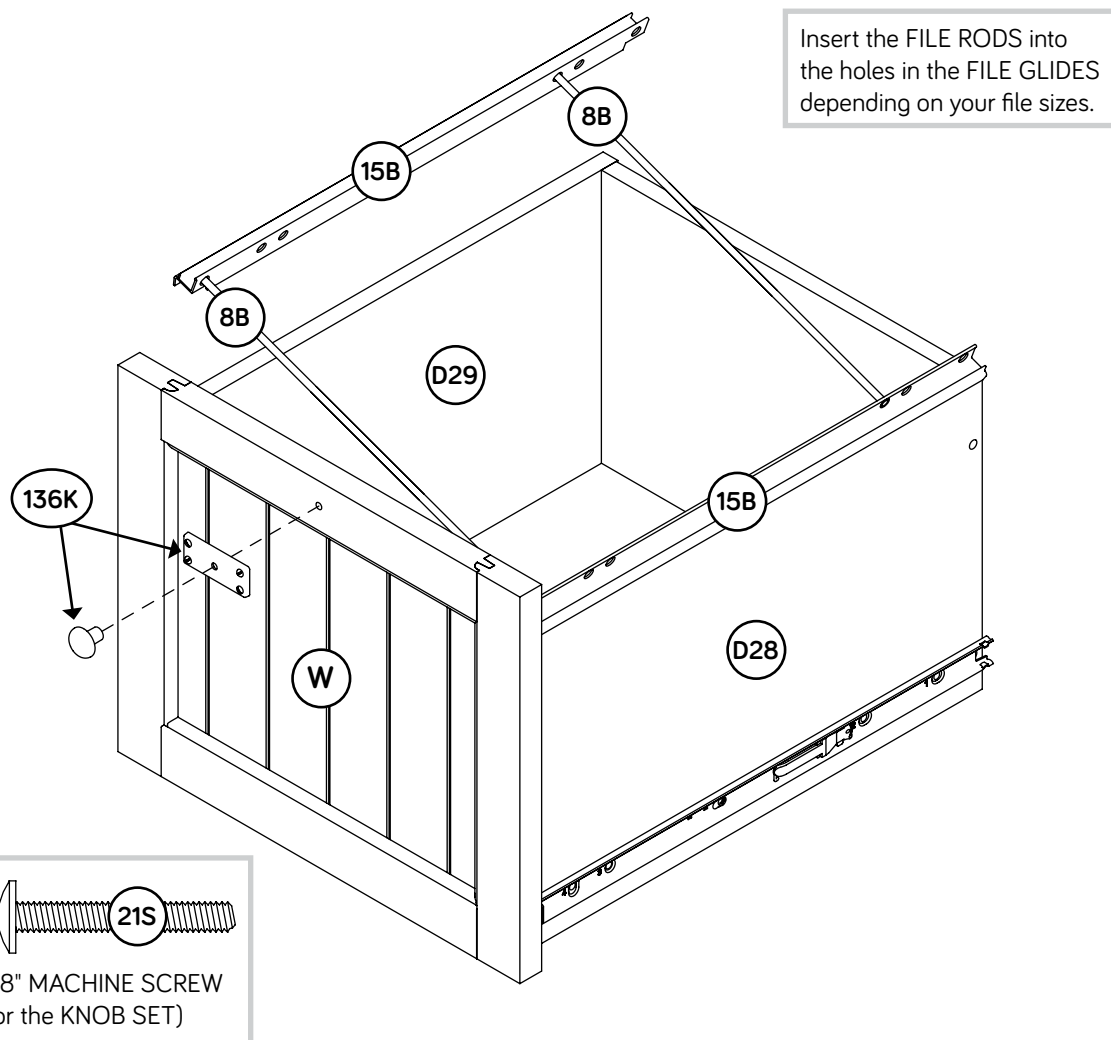


- ✚ Insert a SLIDE CAM (10A) into the LARGE DRAWER SIDES (D28 and D29).
- ✚ Fasten two EXTENSION SLIDES (40MC) to the LARGE DRAWER SIDES (D28 and D29). Use four GOLD 5/16" FLAT HEAD SCREWS (3S) through holes #1 and #4.
- ✚ **NOTE:** The screw head in the CAM must be visible through the slotted hole in the SLIDE.



Step 35

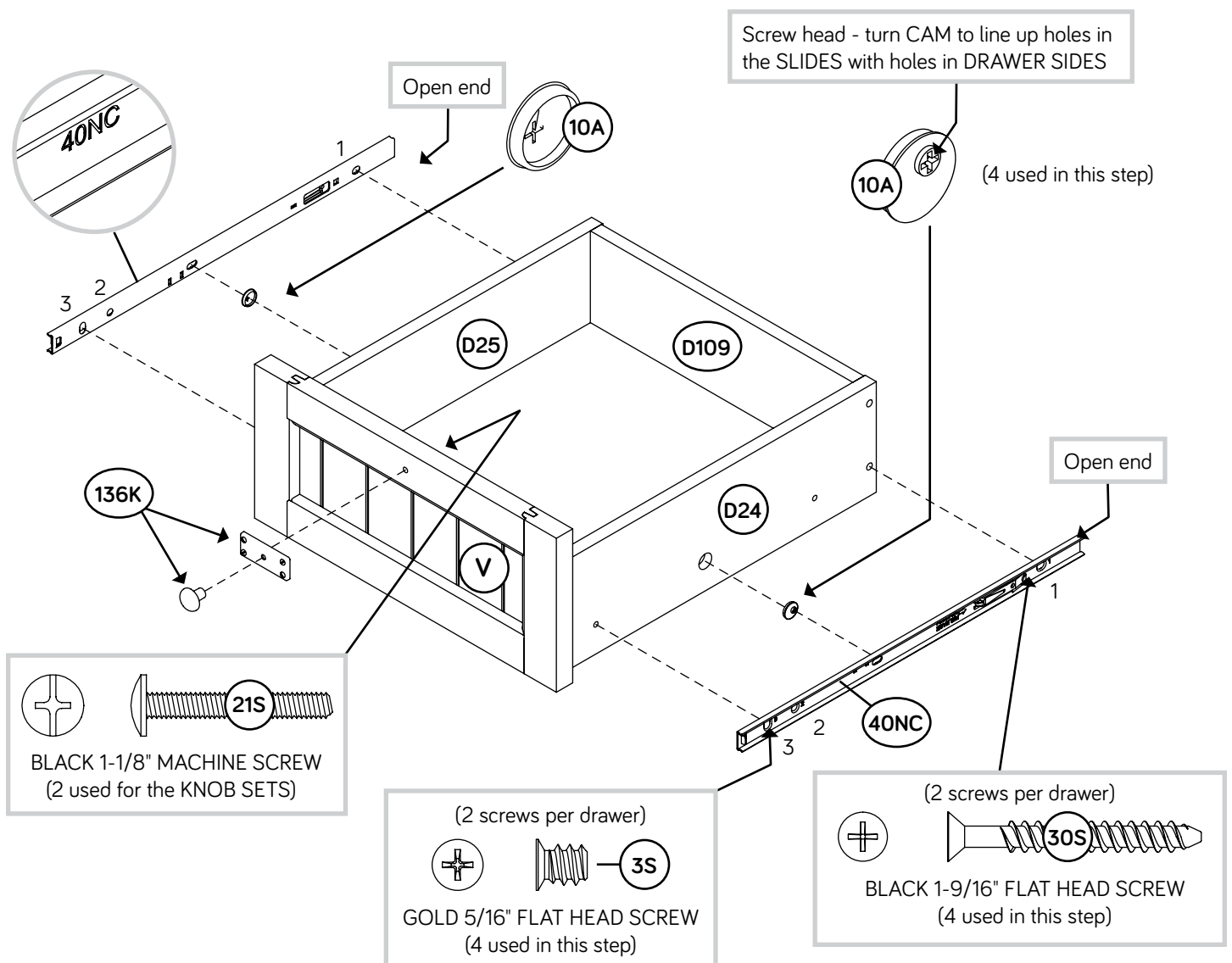
- ✚ Push a FILE GLIDE (15B) onto the LARGE RIGHT DRAWER SIDE (D28).
- ✚ Slide the FILE RODS (8B) into the FILE GLIDE (15B) on the LARGE RIGHT DRAWER SIDE (D28).
- ✚ Slide another FILE GLIDE (15B) onto the other end of the FILE RODS (8B), then press this FILE GLIDE over the LARGE LEFT DRAWER SIDE (D29).
- ✚ Fasten a KNOB SET (136K) to the LARGE DRAWER FRONT (W). Use one BLACK 1-1/8" MACHINE SCREW (21S).



Step 36

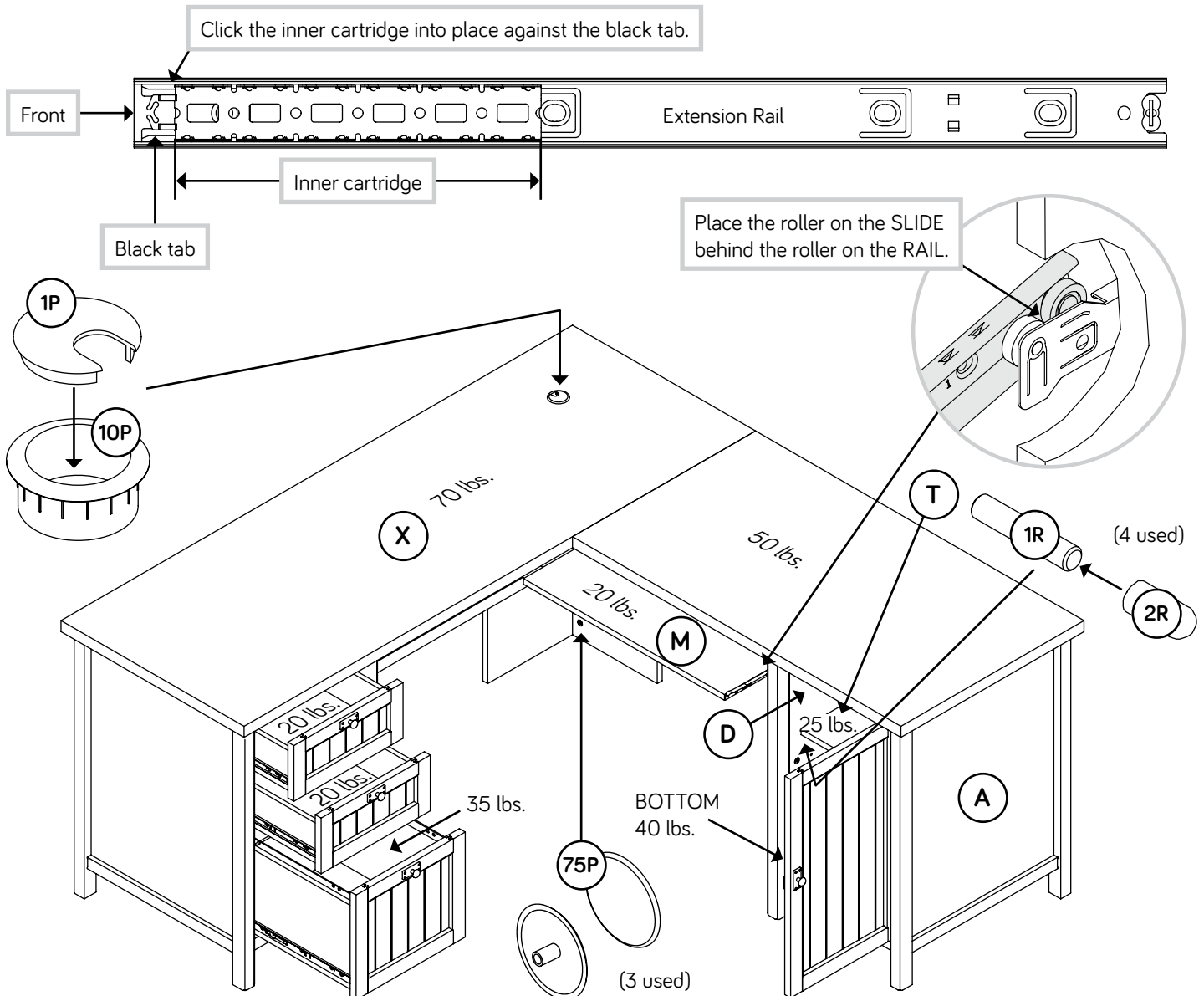


- ✚ Insert a SLIDE CAM (10A) into the SMALL DRAWER SIDES (D24 and D25).
- ✚ Fasten two EXTENSION SLIDES (40NC) to the SMALL DRAWER SIDES (D24 and D25). Use two BLACK 1-9/16" FLAT HEAD SCREWS (30S) through hole #1, through the SMALL DRAWER SIDES, and into the SMALL DRAWER BACK (D109). Use two GOLD 5/16" FLAT HEAD SCREWS (3S) through hole #3.
- ✚ **NOTE:** The screw head in the CAM must be visible through the slotted hole in the SLIDE.
- ✚ Fasten a KNOB SET (136K) to a DRAWER FRONT (V). Use a BLACK 1-1/8" MACHINE SCREW (21S).
- ✚ Repeat this step for the other SMALL drawer.








Step 37

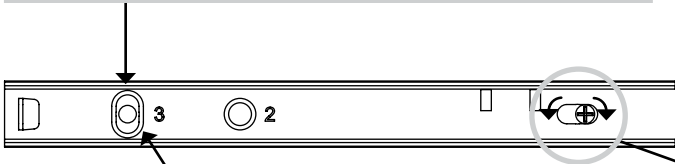
- ✚ Insert the GROMMET (10P) and GROMMET CAP (1P) into the large hole in the TOP (X).
- ✚ To insert the KEYBOARD SHELF (M) into your unit, tip the front of the KEYBOARD SHELF down and drop the rollers on the KEYBOARD SHELF behind the rollers on the unit. Lift the front of the KEYBOARD SHELF up and slide it into the unit.
- ✚ **NOTE:** Before inserting the drawers, be sure the INNER CARTRIDGE in the EXTENSION RAILS on your unit is all the way forward. The INNER CARTRIDGE should click into place against the BLACK TAB.
- ✚ To insert the drawers into your unit, line up the EXTENSION SLIDES on the drawer with the EXTENSION RAILS on the unit and push the drawers into the unit until the drawers are fully inserted. The drawers will push in hard until they are all the way in, then they will slide in and out easier.
- ✚ Push the RUBBER SLEEVES (2R) over the METAL PINS (1R). Insert the METAL PINS into the hole locations of your choice in the RIGHT END (A) and RIGHT UPRIGHT (D). Set the ADJUSTABLE SHELF (T) onto the METAL PINS.
- ✚ Using your hammer, gently tap a CAM COVER (75P) onto each visible HIDDEN CAM.



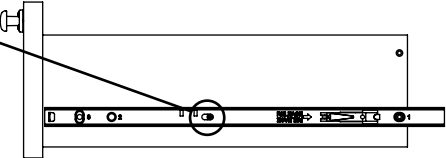


- 🔌 To make adjustments to the small drawers, loosen SCREW #3 in the SLIDES a 1/4 turn, then turn the CAM clockwise or counter-clockwise. Notice how the drawer raises or lowers as you turn the CAM. The higher the screw in the oblong hole, the higher your drawer front will be. The lower the screw, the lower the drawer front. By adjusting the drawers this way, it will help the DRAWER FRONTS line up better when closed. Tighten the SCREW when finished with adjustments.
- 🔌 To make adjustments to the large drawer, loosen SCREW #4 in the SLIDES a 1/4 turn, then turn the CAM clockwise or counter-clockwise. Notice how the drawer raises or lowers as you turn the CAM. The higher the screw in the oblong hole, the higher your drawer front will be. The lower the screw, the lower the drawer front. By adjusting the drawers this way, it will help the DRAWER FRONTS line up better when closed. Tighten the SCREW when finished with adjustments.
- 🔌 **NOTE:** Please read the back pages of the instruction booklet for important safety information.
- 🔌 This completes assembly. Clean with a damp cloth. Wipe dry.
- ★ **And to celebrate, why not share your success story at sauder.com or**     

Loosen screw #3 a 1/4 turn, turn the cam a 1/4 turn maximum in both the clockwise and counter-clockwise directions to make adjustments, and then tighten screw #3.

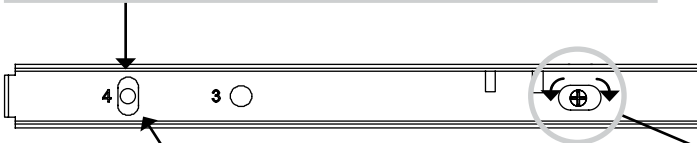


The higher the screw in the oblong hole, the higher your drawer front will be. The lower the screw, the lower the drawer front.

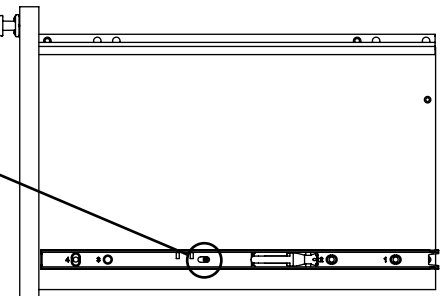


The drawers should be in the unit when making adjustments. They are shown out of the unit for clarity.

Loosen screw #4 a 1/4 turn, turn the cam a 1/4 turn maximum in both the clockwise and counter-clockwise directions to make adjustments, and then tighten screw #4.



The higher the screw in the oblong hole, the higher your drawer front will be. The lower the screw, the lower the drawer front.



Utilisez les instructions d'assemblage en français avec les schémas étape par étape du manuel d'instruction en anglais. Chaque étape en français correspond à la même étape en anglais. Comparer la "Liste de pièces" ci-dessous avec la "PART IDENTIFICATION" du manuel en anglais pour vous familiariser avec les pièces avant l'assemblage.

REMARQUE : CE MANUEL D'INSTRUCTIONS CONTIENT **D'IMPORTANTES** INFORMATIONS RELATIVES À LA SÉCURITÉ. À LIRE ET CONSERVER POUR TOUTE RÉFÉRENCE FUTURE.

NOUS CONTACTER EN PREMIER

AVANT D'EFFECTUER TOUT RETOUR AU MAGASIN.

Nous faisons de notre mieux pour nous assurer que votre meuble arrive dans d'excellentes conditions. Nos représentants du service Clientèle sont aimables et prêts à vous aider au cas où une pièce aurait été endommagée ou manquerait (ou si vous aviez besoin d'aide pour l'assemblage). Composez ce numéro d'appel gratuit:

1-800-523-3987

**Du lundi au vendredi, de 8:30 heures du matin à
5 heures du soir (horaire Côte Est)**

(sauf jours fériés)

Si une pièce a besoin d'être remplacée, la pièce de remplacement sera envoyée dans les 48 heures. (Sauf week-ends et jours fériés)

Noter la date d'achat de cet élément et conserver le livret pour future référence. Pour contacter Sauder en ce qui concerne cet élément, faire référence au numéro de lot et numéro de modèle en appelant notre numéro sans frais.

Lot n^o : _____

Date de l'achat : _____

LISTE DE PIÈCES			LISTE DE PIÈCES		
REFERENCE	DESCRIPTION	QUANTITÉ	REFERENCE	DESCRIPTION	QUANTITÉ
A	EXTRÉMITÉ DROITE.....	1	(ENSEMBLE DE GLISSIÈRE ILLUSTRÉ À PART)		
B	EXTRÉMITÉ GAUCHE.....	1	40MA	GLISSIÈRE D'EXTENSION LARGE.....	2
C	DESSOUS.....	2	40MC	COULISSE D'EXTENSION LARGE.....	2
D	MONTANT DROIT.....	1	40NA	GLISSIÈRE D'EXTENSION ÉTROITE.....	4
D24	CÔTÉ DROIT DE TIROIR.....	2	40NC	COULISSE D'EXTENSION ÉTROITE.....	4
D25	CÔTÉ GAUCHE DE TIROIR.....	2	40AW	ÉLÉMENT DROITE.....	1
D28	CÔTÉ DROIT DE GRAND TIROIR.....	1	40AX	ÉLÉMENT GAUCHE.....	1
D29	CÔTÉ GAUCHE DE GRAND TIROIR.....	1	40AY	TIROIR DROIT.....	1
D78	ARRIÈRE DE GRAND TIROIR.....	1	40AZ	TIROIR GAUCHE.....	1
D109	ARRIÈRE DE TIROIR.....	2	10A	EXCENTRIQUE DE COULISSE.....	6
D707	FOND DE GRAND TIROIR.....	1	8B	TIGE DE DOSSIER.....	2
D716	FOND DE TIROIR.....	2	15B	ARMATURE POUR DOSSIERS.....	2
E	MONTANT GAUCHE.....	1	1F	EXCENTRIQUE ESCAMOTABLE.....	37
F	ARRIÈRE.....	2	8F	VIS D'EXCENTRIQUE.....	37
G	VOILE DE FOND GAUCHE.....	1	15F	CHEVILLE EN BOIS.....	16
H	PIED AVANT DROIT.....	2	37F	FIXATION TWIST-LOCK®.....	24
I	MOULURE D'EXTRÉMITÉ.....	4	14G	PLAQUE DE CONNECTEUR.....	2
J	MOULURE DE DESSOUS.....	2	14H	CHARNIÈRE.....	2
K	MOULURE ARRIÈRE.....	2	4I	ARRÊT DE PORTE.....	1
L	MOULURE DE LONG VOILE DE FOND.....	2	136K	ENSEMBLE DE BOUTONS.....	4
M	TABLETTE DE CLAVIER.....	1	177M	COLLE.....	2
N	MONTANT DROIT POUR CLAVIER.....	1	1P	COUVERCLE DE PASSE-CÂBLES.....	1
O	VOILE DE FOND DROIT.....	1	4P	CLIP POUR CORDONS.....	1
P	PIED AVANT GAUCHE.....	2	10P	PASSE-CÂBLES.....	1
Q	PIED ARRIÈRE DROIT.....	2	75P	COUVERCLE D'EXCENTRIQUE.....	3
R	PIED ARRIÈRE GAUCHE.....	2	1R	GOUPILLE EN MÉTAL.....	4
S	MOULURE DE COURT VOILE DE FOND.....	2	2R	MANCHON EN CAOUTCHOUC.....	4
T	TABLETTE RÉGLABLE.....	1	1S	VIS TÊTE LARGE 14 mm NOIRE.....	16
U	MONTANT GAUCHE DE TABLETTE DE CLAVIER.....	1	3S	VIS TÊTE PLATE 8 mm DORÉE.....	24
V	DEVANT DE TIROIR.....	2	10S	VIS TÊTE PLATE 28 mm ARGENTÉE.....	4
W	DEVANT DE GRAND TIROIR.....	1	11S	VIS TÊTE PLATE 13 mm NOIRE.....	4
X	DESSUS.....	1	18S	VIS TÊTE PLATE 25 mm MARRON.....	4
Y	DESSUS DE RETOUR.....	1	21S	VIS À MÉTAUX 28 mm NOIRE.....	4
Z	PANNEAU DROIT.....	1	30S	VIS TÊTE PLATE 40 mm NOIRE.....	12
AA	PANNEAU GAUCHE.....	1	32S	VIS TÊTE PLATE 14 mm NOIRE.....	26
BB	PORTE.....	1	113S	VIS TÊTE PLATE 49 mm NOIRE.....	9

Guide d'utilisation de la visserie

UTILISATION DE LA EXCENTRIQUE ESCAMOTABLE ET DE LA CHEVILLE D'EXCENTRIQUE

1. Enfoncer un EXCENTRIQUE ESCAMOTABLE dans la partie. La flèche dans l'EXCENTRIQUE ESCAMOTABLE doit être dirigée vers le trou dans le chant de la planche.

2. Insérer l'extrémité en métal de la CHEVILLE DE CAME dans la CAME ESCAMOTABLE.

3. Attention: Risque des dégâts ou blessures. Les EXCENTRIQUES ESCAMOTABLES doivent être serrés à bloc. Les EXCENTRIQUES ESCAMOTABLES que ne sont pas serrés à bloc peuvent desserrer et les pièces peuvent séparer. Pour serrer à bloc : Commencer. Flèche. Serrer. Maximum de 210 degrés. Minimum de 190 degrés.

UTILISATION DE LA FIXATION TWIST-LOCK®

1. Enfoncer une FIXATION TWIST-LOCK® dans le gros trou de la pièce.

2. 1. Insérer l'extrémité fileté de la FIXATION dans le trou de la pièce attenante.

REMARQUE : L'extrémité fileté de la FIXATION doit rester complètement insérée dans le trou de la pièce attenante lorsque l'on bloque la FIXATION.

2. Bien serrer la FIXATION à l'aide d'un tournevis Phillips.

ÉTAPE 1

Ne pas serrer les FIXATIONS TWIST-LOCK® à cette étape.

Assembler l'élément sur un sol à moquette ou sur le carton vide pour éviter d'endommager l'élément ou le sol.

Pour commencer l'assemblage, enfoncer une FIXATION TWIST-LOCK® SAUDER (37F) dans les gros trous des EXTRÉMITÉS (A et B).

Répéter cette étape pour les DESSOUS (C), les MONTANTS (D et E), les VOILES DE FOND (G et O) et les MONTANTS DE TABLETTE (N et U).

ÉTAPE 2

Enfoncer trente et sept EXCENTRIQUES ESCAMOTABLES (1F) dans les chants des EXTRÉMITÉS (A et B), les MONTANTS (D et E), les ARRIÈRES (F), le VOILE DE FOND GAUCHE (G) et le PANNEAU DROIT (Z).

ÉTAPE 3

Faire tourner trente et sept VIS D'EXCENTRIQUE (8F) dans les PIEDS (H, P, Q et R) et les PANNEAUX (Z et AA).

ÉTAPE 4

Retourner les EXTRÉMITÉS (A et B), les MONTANTS (D et E) et les ARRIÈRES (F).

Faire tourner douze VIS TÊTE PLATE 14 mm NOIRES (32S) dans les EXTRÉMITÉS (A et B), les MONTANTS (D et E) et les ARRIÈRES (F) jusqu'à ce que l'épaulement des VIS repose sur les surfaces des EXTRÉMITÉS, MONTANTS et ARRIÈRES.

REMARQUE : Ne pas trop serrer les VIS.

Enfiler les MOULURES (I) sur les EXTRÉMITÉS (A et B) et les MONTANTS (D et E). Enfiler les MOULURES (K) sur les ARRIÈRES (F). Aligner la rainure des MOULURES sur les têtes des VIS dans les EXTRÉMITÉS, MONTANTS et ARRIÈRES.

REMARQUE : Si la MOULURE soulève au-dessus les VIS, l'enlever et l'enfiler de nouveau. Les MOULURES devraient être centrées sur les EXTRÉMITÉS, MONTANTS et ARRIÈRES.

ÉTAPE 5

Faire tourner six VIS TÊTE PLATE 14 mm NOIRES (32S) dans les VOILES DE FOND (G et O) jusqu'à ce que l'épaulement des VIS repose sur la surface des VOILES DE FOND.

REMARQUE : Ne pas trop serrer les VIS.

Enfiler les MOULURES DE COURT VOILE DE FOND (S) sur les VOILES DE FOND (G et O). Aligner la rainure de la MOULURE sur les têtes des VIS dans les VOILES DE FOND.

REMARQUE : Si la MOULURE soulève au-dessus les VIS, l'enlever et l'enfiler de nouveau. Les MOULURES devraient être centrées sur les VOILES DE FOND.

ÉTAPE 6

Retourner les VOILES DE FOND (G et O).

Faire tourner huit VIS TÊTE PLATE 14 mm NOIRES (32S) dans les VOILES DE FOND (G et O) jusqu'à ce que l'épaulement des VIS repose sur la surface du VOILE DE FOND.

REMARQUE : Ne pas trop serrer les VIS.

Enfiler les MOULURES DE LONG VOILE DE FOND (L) sur les VOILES DE FOND (G et O). Aligner la rainure de la MOULURE sur les têtes des VIS dans le VOILE DE FOND.

REMARQUE : S'assurer de positionner les MOULURES exactement comme l'indique le schéma. Si la MOULURE soulève au-dessus les VIS, l'enlever et l'enfiler de nouveau. Les MOULURES devraient être centrées sur les VOILES DE FOND.

ÉTAPE 7

Attention: Examiner bien les pièces avant d'assembler. Il est difficile de séparer des pièces une fois encollées.

Tout d'abord, remplir les deux trous dans l'EXTRÉMITÉ DROITE (A) de 1/4 à 1/2 pleins de COLLE (177M). Insérer ensuite deux CHEVILLES EN BOIS (15F) dans les trous. Nettoyer l'excès de COLLE.

REMARQUE : S'assurer de placer ces pièces exactement comme l'indiquent le schéma et utiliser les trous appropriés.

Maintenant, remplir les trous dans les PIEDS (H et Q) de 1/4 à 1/2 pleins de COLLE (177M).

Fixer les PIEDS (H et Q) à l'EXTRÉMITÉ DROITE (A). Serrer six EXCENTRIQUES ESCAMOTABLES.

REMARQUE : S'assurer d'insérer les CHEVILLES EN BOIS de l'EXTRÉMITÉ DROITE dans les PIEDS. Nettoyer l'excès de COLLE.

ÉTAPE 8

Attention: Examiner bien les pièces avant d'assembler. Il est difficile de séparer des pièces une fois encollées.

Tout d'abord, remplir les deux trous dans l'EXTRÉMITÉ GAUCHE (B) de 1/4 à 1/2 pleins de COLLE (177M). Insérer ensuite deux CHEVILLES EN BOIS (15F) dans les trous. Nettoyer l'excès de COLLE.

REMARQUE : S'assurer de placer ces pièces exactement comme l'indiquent le schéma et utiliser les trous appropriés.

Maintenant, remplir les trous dans les PIEDS (P et R) de 1/4 à 1/2 pleins de COLLE (177M).

Fixer les PIEDS (P et R) à l'EXTRÉMITÉ GAUCHE (B). Serrer six EXCENTRIQUES ESCAMOTABLES.

REMARQUE : S'assurer d'insérer les CHEVILLES EN BOIS de l'EXTRÉMITÉ GAUCHE dans les PIEDS. Nettoyer l'excès de COLLE.

ÉTAPE 9

Attention: Examiner bien les pièces avant d'assembler. Il est difficile de séparer des pièces une fois encollées.

Tout d'abord, remplir les deux trous dans le MONTANT GAUCHE (E) de 1/4 à 1/2 pleins de COLLE (177M). Insérer ensuite deux CHEVILLES EN BOIS (15F) dans les trous. Nettoyer l'excès de COLLE.

REMARQUE : S'assurer de placer ces pièces exactement comme l'indiquent le schéma et utiliser les trous appropriés.

Maintenant, remplir les trous dans les PIEDS (H et Q) de 1/4 à 1/2 pleins de COLLE (177M).

Fixer les PIEDS (H et Q) au MONTANT GAUCHE (E). Serrer six EXCENTRIQUES ESCAMOTABLES.

REMARQUE : S'assurer d'insérer les CHEVILLES EN BOIS du MONTANT GAUCHE dans les PIEDS. Nettoyer l'excès de COLLE.

ÉTAPE 10

Attention: Examiner bien les pièces avant d'assembler. Il est difficile de séparer des pièces une fois encollées.

Tout d'abord, remplir les deux trous dans le MONTANT DROIT (D) de 1/4 à 1/2 pleins de COLLE (177M). Insérer ensuite deux CHEVILLES EN BOIS (15F) dans les trous. Nettoyer l'excès de COLLE.

REMARQUE : S'assurer de positionner les pièces exactement comme il l'est indiqué.

Maintenant, remplir les trous dans les PIEDS (P et R) de 1/4 à 1/2 pleins de COLLE (177M).

Fixer les PIEDS (P et R) au MONTANT DROIT (D). Serrer six EXCENTRIQUES ESCAMOTABLES.

REMARQUE : S'assurer d'insérer les CHEVILLES EN BOIS du MONTANT DROIT dans les PIEDS. Nettoyer l'excès de COLLE.

ÉTAPE 11

Séparer les COULISSES D'EXTENSION (40MC) des GLISSIÈRES D'EXTENSION (40MA) comme l'indique le schéma du haut. Faire attention car les pièces sont graissées.

Fixer les GLISSIÈRES D'EXTENSION (40MA) aux EXTRÉMITÉS GAUCHES (B) et aux MONTANTS GAUCHES (E). Utiliser quatre VIS TÊTE PLATE 8 mm DORÉES (3S) à travers les trous n° 1 et n° 3.

REMARQUE : Pour chaque GLISSIÈRE D'EXTENSION, faire tourner une VIS dans le trou indiqué dans le schéma agrandi. Ensuite, enfiler la cartouche interne de la GLISSIÈRE D'EXTENSION vers l'intérieur pour trouver l'autre trou qui est aligné sur le trou dans les EXTRÉMITÉS et les MONTANTS. Faire tourner une VIS dans ce trou.

REMARQUE : Les COULISSES D'EXTENSION seront utilisées ultérieurement pour les GRANDS TIROIRS.

ÉTAPE 12

Séparer les COULISSES D'EXTENSION (40NC) des GLISSIÈRES D'EXTENSION (40NA) comme l'indique le schéma du haut. Faire attention car les pièces sont graissées.

Fixer quatre GLISSIÈRES D'EXTENSION (40NA) à l'EXTRÉMITÉ GAUCHE (B) et au MONTANT (E). Utiliser huit VIS TÊTE PLATE 8 mm DORÉES (3S) à travers les trous n° 1 et n° 3.

REMARQUE : Pour chaque GLISSIÈRE D'EXTENSION, faire tourner une VIS dans le trou indiqué dans le schéma agrandi. Ensuite, enfiler la cartouche interne de la GLISSIÈRE D'EXTENSION vers l'intérieur pour trouver l'autre trou qui est aligné sur le trou dans les EXTRÉMITÉS et les MONTANTS. Faire tourner une VIS dans ce trou.

REMARQUE : Les COULISSES D'EXTENSION seront utilisées ultérieurement pour les PETITS TIROIRS.

ÉTAPE 13

Fixer les ARRIÈRES (F) aux EXTRÉMITÉS (A et B). Serrer quatre EXCENTRIQUES ESCAMOTABLES.

ÉTAPE 14

Fixer les DESSOUS (C) aux EXTRÉMITÉS (A et B). Serrer quatre FIXATIONS TWIST-LOCK®.

Enfiler les MOULURES DE DESSOUS (J) sur le chant cranté des DESSOUS (C).

ÉTAPE 15

Fixer les MONTANTS (D et E) aux ARRIÈRES (F) et aux DESSOUS (C). Serrer quatre FIXATIONS TWIST-LOCK® et quatre EXCENTRIQUES ESCAMOTABLES.

ÉTAPE 16

Sauter cette étape et l'étape suivante si on n'a pas fait l'achat du Surmeuble 428725.

Le Bureau en L 428728 est conçu pour maintenir le Surmeuble 428725. Il y a deux possibilités pour monter le Surmeuble au Bureau en L comme l'indique le schéma.

ÉTAPE 17

IMPORTANT: Sauter cette étape si on n'a pas fait l'achat le Surmeuble 428725.

Poser le DESSUS (X) et le DESSUS DE RETOUR (Y) plat sur le sol sur mousse d'emballage ou magazines comme l'indique le schéma.

À l'aide d'une perceuse et d'un foret de 5 mm, finir de percer complètement les quatre trous indiqués en fonction de schéma 1 ou 2 de votre préférence à l'étape 16.

ÉTAPE 18

Attention: Examiner bien les pièces avant d'assembler. Il est difficile de séparer des pièces une fois encollées.

Tout d'abord, remplir les trous dans les PIEDS (H, P, Q et R) de 1/4 à 1/2 pleins de COLLE (177M). Insérer ensuite les CHEVILLES EN BOIS (15F) dans les trous. Nettoyer l'excès de COLLE (177M).

Maintenant, remplir les quatre trous dans le DESSUS (X) de 1/4 à 1/2 pleins de COLLE.

Fixer l'EXTRÉMITÉ GAUCHE (B) et le MONTANT GAUCHE (E) au DESSUS (X). Serrer quatre FIXATIONS TWIST-LOCK®. Nettoyer l'excès de colle.

REMARQUE : S'assurer d'insérer les CHEVILLES EN BOIS dans les trous du DESSUS.

ÉTAPE 19

Fixer le VOILE DE FOND GAUCHE (G) au DESSUS (X). Serrer deux FIXATIONS TWIST-LOCK®.

Fixer le VOILE DE FOND GAUCHE (G) au MONTANT GAUCHE (E). Utiliser trois VIS TÊTE PLATE 49 mm NOIRES (113S).

ÉTAPE 20

Fixer le VOILE DE FOND DROIT (O) au DESSUS (X). Serrer une FIXATION TWIST-LOCK®.

Fixer le VOILE DE FOND DROIT (O) au VOILE DE FOND GAUCHE (G). Utiliser trois VIS TÊTE PLATE 49 mm NOIRES (113S).

ÉTAPE 21

Fixer le PANNEAU GAUCHE (AA) au PANNEAU DROIT (Z). Serrer trois EXCENTRIQUES ESCAMOTABLES.

Fixer les PANNEAUX (Z et AA) aux VOILES DE FOND (O et G). Utiliser quatre VIS TÊTE PLATE 28 mm ARGENTÉES (10S). Serrer deux EXCENTRIQUES ESCAMOTABLES.

Fixer deux PLAQUES DE CONNECTEUR (14G) au DESSUS (X). Utiliser huit VIS TÊTE LARGE 14 mm NOIRES (1S).

ÉTAPE 22

Tout d'abord, remplir les trous dans les PIEDS (H, P, Q et R) de 1/4 à 1/2 pleins de COLLE (177M). Insérer ensuite les CHEVILLES EN BOIS (15F) dans les trous. Nettoyer l'excès de COLLE (177M).

Maintenant, remplir les quatre trous dans le DESSUS (Y) de 1/4 à 1/2 pleins de COLLE.

Fixer l'EXTRÉMITÉ DROITE (A) et le MONTANT DROIT (D) au DESSUS (Y). Serrer quatre FIXATIONS TWIST-LOCK®. Nettoyer l'excès de colle.

REMARQUE : S'assurer d'insérer les CHEVILLES EN BOIS dans les trous du DESSUS.

ÉTAPE 23

Cette étape requiert l'aide d'une autre personne. Relever, avec précaution, l'élément dans sa position verticale.

Fixer le DESSUS DE RETOUR (Y) au DESSUS (X). Utiliser huit VIS TÊTE LARGE 14 mm NOIRES (1S).

Fixer le VOILE DE FOND (O) au DESSUS DE RETOUR (Y). Serrer la FIXATION TWIST-LOCK®.

ÉTAPE 24

Fixer le VOILE DE FOND DROIT (O) au MONTANT DROIT (D).
Utiliser trois VIS TÊTE PLATE 49 mm NOIRES (113S).

ÉTAPE 25

Fixer l'ÉLÉMENT DROITE (40AW) au MONTANT DROIT (N) et l'ÉLÉMENT GAUCHE (40AX) au MONTANT GAUCHE (U). Utiliser quatre VIS TÊTE PLATE 8 mm DORÉES (3S).

ÉTAPE 26

Il est possible de monter la TABLETTE DE CLAVIER (M) sous le DESSUS DE RETOUR (Y) ou DESSUS (X) comme l'indique le schéma.

Suivre le schéma supérieur pour fixer la TABLETTE (M) sur la droite ou le schéma inférieur pour fixer la TABLETTE (M) sur la gauche.

ÉTAPE 27

TABLETTE DE CLAVIER SUR LA GAUCHE

Fixer les MONTANTS DE TABLETTE DE CLAVIER (N et U) au DESSUS (X). Serrer quatre FIXATIONS TWIST-LOCK®.

TABLETTE DE CLAVIER SUR LA DROITE

Fixer le MONTANT GAUCHE DE TABLETTE DE CLAVIER (U) au DESSUS (X) et le MONTANT DROIT DE TABLETTE DE CLAVIER (N) au DESSUS DE RETOUR (Y). Serrer quatre FIXATIONS TWIST-LOCK®.

ÉTAPE 28

Fixer le TIROIR DROIT (40AY) et le TIROIR GAUCHE (40AZ) à la TABLETTE DE CLAVIER (M). Utiliser quatre VIS TÊTE PLATE 25 mm MARRON (18S).

Enfoncer un CLIP POUR CORDON (4P) dans le trou de la TABLETTE DE CLAVIER (M).

REMARQUE : Le CLIP POUR CORDONS est utilisé pour maintenir le cordon de clavier contre la TABLETTE DE CLAVIER.

ÉTAPE 29

Fixer deux CHARNIÈRES (14H) à la PORTE (BB). Utiliser quatre VIS TÊTE PLATE 13 mm NOIRES (11S).

ÉTAPE 30

Avant de fixer la PORTE à l'unité, s'assurer que la vis de montage se trouve contre les butées comme l'indique le schéma de droite. Si ce n'est pas le cas, desserrer la vis de montage pour la faire glisser contre les butées. Serrer ensuite la vis de montage.

Fixer la PORTE (BB) à l'EXTRÉMITÉ DROITE (A) comme l'indique le schéma inférieur. Utiliser les vis fournies avec les CHARNIÈRES. Il est préférable de donner quelques tours de tournevis à chaque VIS avant de les serrer toutes à bloc.

Fixer l'ENSEMBLE DE BOUTONS (136K) à la PORTE (BB). Utiliser une VIS À MÉTAUX 28 mm NOIRE (21S).

Enfoncer l'ARRÊT DE PORTE (4I) dans le MONTANT DROIT (D).

Voir l'étape suivante pour réglages des PORTES.

ÉTAPE 31

Consulter le schéma agrandi pour identifier les pièces des CHARNIÈRES.

Il faut peut-être ajuster la PORTE. Suivre les indications ci-dessous pour ajuster.

RÉGLAGES DES PORTES :

Pour ajuster les PORTES latéralement (horizontalement), tourner la vis de réglage vers l'intérieur ou vers l'extérieur.

Pour ajuster la PORTE de haut en bas (verticalement), desserrer les deux vis de réglage. Déplacer la PORTE verticalement à l'emplacement désiré. Serrer les vis après avoir ajusté.

Pour ajuster la PORTE vers l'intérieur ou vers l'extérieur (profondeur), desserrer la vis de montage un tour et déplacer la PORTE vers l'intérieur ou vers l'extérieur. Serrer la vis de montage après avoir ajusté.

ÉTAPE 32

1. Insérer les CÔTÉS DE GRAND TIROIR (D28 et D29) en biseau dans la fente dans chaque extrémité du DEVANT DE GRAND TIROIR (W).

2. Enfiler le FOND DE GRAND TIROIR (D707) dans les rainures des CÔTÉS DE GRAND TIROIR (D28 et D29) et du DEVANT DE GRAND TIROIR (W).

3. Fixer l'ARRIÈRE DE GRAND TIROIR (D78) aux CÔTÉS DE GRAND TIROIR (D28 et D29). Utiliser quatre VIS TÊTE PLATE 40 mm NOIRES (30S).

REMARQUE : S'assurer que le FOND DE GRAND TIROIR (D707) s'encastre dans la rainure de l'ARRIÈRE DE GRAND TIROIR (D78).

ÉTAPE 33

1. Insérer les CÔTÉS DE PETIT TIROIR (D24 et D25) en biseau dans la fente dans chaque extrémité du DEVANT DE PETIT TIROIR (V).

2. Enfiler le FOND DE PETIT TIROIR (D716) dans les rainures des CÔTÉS DE PETIT TIROIR (D24 et D25) et du DEVANT DE PETIT TIROIR (V).

3. **REMARQUE** : Les PETITS tiroirs n'utiliseront que deux VIS par tiroir. Consulter le schéma.

Fixer l'ARRIÈRE DE PETIT TIROIR (D109) aux CÔTÉS DE PETIT TIROIR (D24 et D25). Utiliser deux VIS TÊTE PLATE 40 mm NOIRES (30S).

REMARQUE : S'assurer que le FOND DE PETIT TIROIR (D716) s'encastre dans la rainure de l'ARRIÈRE DE PETIT TIROIR (D109).

Répéter cette étape pour l'autre PETIT tiroir.

ÉTAPE 34

Insérer une EXCENTRIQUE DE COULISSE (10A) dans les CÔTÉS DE GRAND TIROIR (D28 et D29).

Fixer deux COULISSES D'EXTENSION (40MC) aux CÔTÉS DE GRAND TIROIR (D28 et D29). Utiliser quatre VIS TÊTE PLATE 8 mm DORÉES (3S) à travers les trous n° 1 et n° 4.

REMARQUE : La tête de vis dans l'EXCENTRIQUE doit être visible à travers le trou fendu dans la COULISSE.

ÉTAPE 35

Enfoncer une ARMATURE POUR DOSSIERS (15B) sur le CÔTÉ DROIT DE GRAND TIROIR (D28).

Enfiler les GUIDES POUR DOSSIERS (8B) dans l'ARMATURE POUR DOSSIERS (15B) située sur le CÔTÉ DROIT DE GRAND TIROIR (D28).

Enfiler une autre ARMATURE POUR DOSSIERS (15B) sur l'autre extrémité des GUIDES POUR DOSSIERS (8B) et appuyer cette ARMATURE POUR DOSSIERS sur le CÔTÉ GAUCHE DE GRAND TIROIR (D29).

Fixer un ENSEMBLE DE BOUTONS (136K) sur le DEVANT DE GRAND TIROIR (W). Utiliser une VIS À MÉTAUX 28 mm NOIRE (21S).

ÉTAPE 36

Insérer une EXCENTRIQUE DE COULISSE (10A) dans les CÔTÉS DE PETIT TIROIR (D24 et D25).

Fixer deux COULISSES D'EXTENSION (40NC) aux CÔTÉS DE PETIT TIROIR (D24 et D25). Utiliser deux VIS TÊTE PLATE 40 mm NOIRES (30S) à travers le trou n° 1, à travers les CÔTÉS DE PETIT TIROIR, et dans l'ARRIÈRE DE PETIT TIROIR (D109). Utiliser deux VIS TÊTE PLATE 8 mm DORÉES (3S) à travers les trous n° 3.

REMARQUE : La tête de vis dans l'EXCENTRIQUE doit être visible à travers le trou fendu dans la COULISSE.

Fixer l'ENSEMBLE DE BOUTONS (136K) au DEVANT DE TIROIR (V). Utiliser une VIS À MÉTAUX 28 mm NOIRE (21S).

Répéter cette étape pour l'autre PETIT tiroir.

ÉTAPE 37

Insérer le PASSE-CÂBLES (10P) et un COUVERCLE DE PASSE-CÂBLES (1P) dans le gros trou du DESSUS (X).

Pour insérer la TABLETTE DE CLAVIER (M) dans l'élément, abaisser le devant de la TABLETTE DE CLAVIER et faire passer les roulettes situées sur la TABLETTE DE CLAVIER derrière les roulettes situées sur l'élément. Relever le devant de la TABLETTE DE CLAVIER et l'enfiler dans l'élément.

REMARQUE : Avant d'insérer un tiroir, s'assurer que la CARTOUCHE INTERNE de la GLISSIÈRE D'EXTENSION de l'unité est complètement vers l'avant. La CARTOUCHE INTERNE doit cliquer en place contre la PATTE NOIRE.

Pour insérer les tiroirs dans l'élément, aligner les COULISSES D'EXTENSION du tiroir sur les GLISSIÈRES D'EXTENSION de l'élément et enfoncer les tiroirs dans l'élément jusqu'à ce que les tiroirs soient complètement insérés. Les tiroirs offriront une certaine résistance jusqu'à ce qu'ils soient complètement insérés dans l'élément, glisserait ensuite sans difficulté.

Enfoncer les MANCHONS EN CAOUTCHOUC (2R) sur les GOUPILLES EN MÉTAL (1R). Insérer les GOUPILLES EN MÉTAL dans les trous choisis de l'EXTRÉMITÉ DROITE (A) et du MONTANT DROIT (D). Poser la TABLETTE RÉGLABLE (T) sur les GOUPILLES EN MÉTAL.

À l'aide d'un marteau, enfoncer un COUVERCLE D'EXCENTRIQUE (75P) sur chaque EXCENTRIQUE ESCAMOTABLE visible.

ÉTAPE 38

Pour ajuster les petits tiroirs, desserrer la VIS n° 3 dans les COULISSES un quart de tour et tourner ensuite la came dans le sens des aiguilles d'une montre ou dans le sens contraire. Noter que le tiroir monte ou descend lorsque l'on tourne la CAME. Plus la vis dans le trou oblong est haute, plus le devant de tiroir sera haut. Plus la vis est basse, plus le devant de tiroir sera bas. Ajuster le tiroir de cette manière permet au DEVANT DE TIROIR d'être mieux aligné une fois fermé. Resserrer la VIS après d'avoir ajusté.

Pour ajuster le grand tiroir, desserrer la VIS n° 4 dans les COULISSES un quart de tour et tourner ensuite la CAME dans le sens des aiguilles d'une montre ou dans le sens contraire. Noter que le tiroir monte ou descend lorsque l'on tourne la CAME. Plus la vis dans le trou oblong est haute, plus le devant de tiroir sera haut. Plus la vis est basse, plus le devant de tiroir sera bas. Ajuster le tiroir de cette manière permet au DEVANT DE TIROIR d'être mieux aligné une fois fermé. Resserrer la VIS après d'avoir ajusté.

REMARQUE : Prière de lire les informations importantes sur la sécurité figurant sur les pages arrière du manuel d'instructions.

Ceci complète l'assemblage. Nettoyer avec un tissu humide. Essuyer.

Use estas instrucciones de ensamblaje en español junto con las figuras paso-a-paso provistas en el folleto inglés. Cada paso en español corresponde al mismo paso en inglés. Compare la "Lista de Part" abajo con la "Part Identification" en el folleto en inglés para familiarizarse con Las partes de ensamblaje.

NOTA: ESTE FOLLETO DE INSTRUCCIONES CONTIENE INFORMACIÓN **IMPORTANTE** SOBRE LA SEGURIDAD. POR FAVOR LEA Y GUÁRDELO PARA REFERENCIA EN EL FUTURO.

CONTÁCTENOS PRIMERO

ANTES DE HACER DEVOLUCIONES A LA TIENDA.

Tratamos de asegurar que su mueble llega en condición excelente. Nuestros representantes de Servicio al Cliente son amables y listos para ayudarle con servicio rápido y eficiente si una parte está defectuosa o ausente (o si necesita ayuda con el ensamblaje). Llame este número sin cargo:

1-800-523-3987

Lunes a viernes, 8:30 a.m. - 5:00 p.m.

**Hora oficial del Este
(excepto días festivos)**

Si requiere un repuesto de una parte, será enviado dentro de 48 horas (excepto los fines de semana y días festivos)

Anote la fecha de comprar esta unidad y guarde el folleto para su referencia futura. Si necesita ponerse en contacto con Sauder en cuanto a esta unidad, refiérase al número de lote y al número de modelo cuando llame a nuestro número gratis.

No. lote: _____

Fecha de compra: _____

LISTA DE PARTES			LISTA DE PARTES		
ITEM	DESCRIPCIÓN	CANTIDAD	ITEM	DESCRIPCIÓN	CANTIDAD
A	EXTREMO DERECHO.....	1	(JUEGO DE EXTENSIÓN SE MUESTRA POR SEPARADO)		
B	EXTREMO IZQUIERDO.....	1	40MA	RIEL DE EXTENSIÓN ANCHO.....	2
C	FONDO.....	2	40MC	CORREDERA DE EXTENSIÓN ANCHA.....	2
D	PARAL DERECHO.....	1	40NA	RIEL DE EXTENSIÓN ESTRECHO.....	4
D24	LADO DERECHO DE CAJÓN.....	2	40NC	CORREDERA DE EXTENSIÓN ESTRECHA.....	4
D25	LADO IZQUIERDO DE CAJÓN.....	2	40AW	GABINETE DERECHO.....	1
D28	LADO DERECHO DE CAJÓN GRANDE.....	1	40AX	GABINETE IZQUIERDO.....	1
D29	LADO IZQUIERDO DE CAJÓN GRANDE.....	1	40AY	CAJÓN DERECHO.....	1
D78	DORSO DE CAJÓN GRANDE.....	1	40AZ	CAJÓN IZQUIERDO.....	1
D109	DORSO DE CAJÓN.....	2	10A	EXCÉNTRICO DE CORREDERA.....	6
D707	FONDO DE CAJÓN GRANDE.....	1	8B	VARILLA DE ARCHIVERO.....	2
D716	FONDO DE CAJÓN.....	2	15B	CORRIMIENTO DE ARCHIVERO.....	2
E	PARAL IZQUIERDO.....	1	1F	EXCÉNTRICO ESCONDIDO.....	37
F	DORSO.....	2	8F	BIELA DE EXCÉNTRICO.....	37
G	VELO DE FONDO IZQUIERDO.....	1	15F	PASADOR DE MADERA.....	16
H	PATA DELANTERA DERECHA.....	2	37F	SUJETADOR TWIST-LOCK®.....	24
I	MOLDURA DE EXTREMO.....	4	14G	PLACA DE CONECTOR.....	2
J	MOLDURA DE FONDO.....	2	14H	BISAGRA.....	2
K	MOLDURA POSTERIOR.....	2	4I	TOPE DE LA PUERTA.....	1
L	MOLDURA DE VELO DE FONDO LARGO.....	2	136K	JUEGO DE PERILLAS.....	4
M	ESTANTE DE TECLADO.....	1	177M	PEGAMENTO.....	2
N	PARAL DERECHO DE TECLADO.....	1	1P	CUBIERTA DE OJAL.....	1
O	VELO DE FONDO DERECHO.....	1	4P	GRAPA DE CABLE.....	1
P	PATA DELANTERA IZQUIERDA.....	2	10P	OJAL.....	1
Q	PATA POSTERIOR DERECHA.....	2	75P	CUBIERTA DE EXCÉNTRICO.....	3
R	PATA POSTERIOR IZQUIERDA.....	2	1R	ESPIGA DE METAL.....	4
S	MOLDURA DE VELO DE FONDO CORTO.....	2	2R	MANGUITO DE GOMA.....	4
T	ESTANTE AJUSTABLE.....	1	1S	TORNILLO NEGRO DE CABEZA GRANDE de 14 mm.....	16
U	PARAL IZQUIERDO DE TECLADO.....	1	3S	TORNILLO DORADO DE CABEZA PERDIDA de 8 mm.....	24
V	CARA DE CAJÓN.....	2	10S	TORNILLO PLATEADO DE CABEZA PERDIDA de 28 mm.....	4
W	CARA DE CAJÓN GRANDE.....	1	11S	TORNILLO NEGRO DE CABEZA PERDIDA de 13 mm.....	4
X	PANEL SUPERIOR.....	1	18S	TORNILLO MARRÓN DE CABEZA PERDIDA de 25 mm.....	4
Y	PANEL SUPERIOR DE MESA AUXILIAR.....	1	21S	TORNILLO NEGRO PARA METAL de 28 mm.....	4
Z	PANEL DERECHO.....	1	30S	TORNILLO NEGRO DE CABEZA PERDIDA de 40 mm.....	12
AA	PANEL IZQUIERDO.....	1	32S	TORNILLO NEGRO DE CABEZA PERDIDA de 14 mm.....	26
BB	PUERTA.....	1	113S	TORNILLO NEGRO DE CABEZA PERDIDA de 49 mm.....	9

Guía de uso de herrajes

CÓMO UTILIZAR EL EXCÉNTRICO ESCONDIDO Y LA BIELA DE EXCÉNTRICO

1. Gire una BIELA DE EXCÉNTRICO hasta que el resalto repose contra de la parte.
2. Empuje un EXCÉNTRICO ESCONDIDO dentro de la parte. La flecha en el EXCÉNTRICO ESCONDIDO debe apuntar hacia el agujero en el borde de la tabla.
3. Inserte la BIELA DE EXCÉNTRICO en el EXCÉNTRICO ESCONDIDO. Apriete el EXCÉNTRICO ESCONDIDO.

CÓMO UTILIZAR EL SUJETADOR TWIST-LOCK®

1. Empuje un SUJETADOR TWIST-LOCK® dentro del agujero grande en la parte.
2. 1. Inserte el extremo con cabilla del SUJETADOR en el agujero de la parte adjunta.

NOTA: El extremo con cabilla del SUJETADOR debe quedarse completamente insertado en el agujero de la parte adjunta cuando se enclava el SUJETADOR.

2. Apriete el SUJETADOR lo más apretado posible con un destornillador Phillips (cruz)

PASO 1

No apriete los SUJETADORES TWIST-LOCK® en este paso.

Ensamble la unidad sobre un piso alfombrado o sobre el cartón vacío para evitar rayar la unidad o el piso.

Para comenzar el ensamblaje, empuje un SUJETADOR TWIST-LOCK® SAUDER (37F) dentro de los agujeros grandes de los EXTREMOS (A y B).

Repita este paso para los FONDOS (C), los PARALES (D y E), los VELOS DE FONDO (G y O) y los PARALES DE ESTANTE DE TECLADO (N y U).

PASO 2

Empuje treinta y siete EXCÉNTRICOS ESCONDIDOS (1F) en los bordes de los EXTREMOS (A y B), los PARALES (D y E), el VELO DE FONDO IZQUIERDO (G) y el PANEL DERECHO (Z).

PASO 3

Atornille treinta y siete BIELAS DE EXCÉNTRICO (8F) dentro de las PATAS (H, P, Q y R) y de los PANELES (Z y AA).

PASO 4

Voltee los EXTREMOS (A y B), los PARALES (D y E) y los DORSOS (F).

Atornille doce TORNILLOS NEGROS DE CABEZA PERDIDA de 14 mm (32S) dentro de los EXTREMOS (A y B), los PARALES (D y E) y los DORSOS (F) hasta que el resalto de los TORNILLOS repose sobre las superficies de los EXTREMOS, PARALES y de los DORSOS.

NOTA: **No** apriete los TORNILLOS en exceso.

Deslice las MOLDURAS (I) sobre los EXTREMOS (A y B) y los PARALES (D y E). Deslice las MOLDURAS (K) sobre los DORSOS (F). Alinee las ranuras de las MOLDURAS sobre las cabezas de los TORNILLOS en los EXTREMOS, los PARALES y los DORSOS.

NOTA: Si la MOLDURA se levanta de los TORNILLOS, retírela y deslícela sobre la parte otra vez. Las MOLDURAS deben centrarse sobre los EXTREMOS, los PARALES y los DORSOS.

PASO 5

Atornille seis TORNILLOS NEGROS DE CABEZA PERDIDA de 14 mm (32S) dentro de los VELOS DE FONDO (G y O) hasta que el resalto de los TORNILLOS repose sobre la superficie de los VELOS DE FONDO.

NOTA: **No** apriete los TORNILLOS en exceso.

Deslice las MOLDURAS DE VELO DE FONDO CORTO (S) sobre los VELOS DE FONDO (G y O). Alinee la ranura de la MOLDURA sobre la cabeza de los TORNILLOS de los VELOS DE FONDO.

NOTA: Si las MOLDURAS vienen salidas de los TORNILLOS, retírelas y vuelva a deslizarlas otra vez. Las MOLDURAS deben centrarse sobre los VELOS DE FONDO.

PASO 6

Vuelva los VELOS DE FONDO (G y O) al revés.

Atornille ocho TORNILLOS NEGROS DE CABEZA PERDIDA de 14 mm (32S) dentro de los VELOS DE FONDO (G y O) hasta que el resalto de los TORNILLOS repose sobre la superficie del VELO DE FONDO.

NOTA: **No** apriete los TORNILLOS en exceso.

Deslice las MOLDURAS DE VELO DE FONDO LARGO (L) sobre los VELOS DE FONDO (G y O). Alinee la ranura de la MOLDURA sobre la cabeza de los TORNILLOS del VELO DE FONDO.

NOTA: Asegúrese de que las MOLDURAS están colocados exactamente como se muestra. Si las MOLDURAS vienen salidas de los TORNILLOS, retírelas y vuelva a deslizarlas otra vez. Las MOLDURAS deben centrarse sobre los VELOS DE FONDO.

PASO 7

Precaución: Revise las partes cuidadosamente antes de ensamblar. La separación de las piezas ya pegadas es muy difícil.

Primero, llene los dos agujeros del EXTREMO DERECHO (A) hasta 1/4 a 1/2 con PEGAMENTO (177M). A continuación, inserte dos PASADORES DE MADERA (15F) dentro de los agujeros. Quite el exceso de PEGAMENTO.

NOTA: Asegúrese de posicionar estas partes exactamente como se muestra en el diagrama y utilice los agujeros correctos.

Ahora, llene los agujeros de las PATAS (H y Q) hasta 1/4 a 1/2 con PEGAMENTO (177M).

Fije las PATAS (H y Q) al EXTREMO DERECHO (A). Apriete seis EXCÉNTRICOS ESCONDIDOS.

NOTA: Asegúrese de que los PASADORES DE MADERA del EXTREMO DERECHO se inserten en las PATAS. Quite el exceso de PEGAMENTO.

PASO 8

Precaución: Revise las partes cuidadosamente antes de ensamblar. La separación de las piezas ya pegadas es muy difícil.

Primero, llene los dos agujeros del EXTREMO IZQUIERDO (B) hasta 1/4 a 1/2 con PEGAMENTO (177M). A continuación, inserte dos PASADORES DE MADERA (15F) dentro de los agujeros. Quite el exceso de PEGAMENTO.

NOTA: Asegúrese de posicionar estas partes exactamente como se muestra en el diagrama y utilice los agujeros correctos.

Ahora, llene los agujeros de las PATAS (P y R) hasta 1/4 a 1/2 con PEGAMENTO (177M).

Fije las PATAS (P y R) al EXTREMO IZQUIERDO (B). Apriete seis EXCÉNTRICOS ESCONDIDOS.

NOTA: Asegúrese de que los PASADORES DE MADERA del EXTREMO IZQUIERDO se inserten en las PATAS. Quite el exceso de PEGAMENTO.

PASO 9

Precaución: Revise las partes cuidadosamente antes de ensamblar. La separación de las piezas ya pegadas es muy difícil.

Primero, llene los dos agujeros del EXTREMO IZQUIERDO (E) hasta 1/4 a 1/2 con PEGAMENTO (177M). A continuación, inserte dos PASADORES DE MADERA (15F) dentro de los agujeros. Quite el exceso de PEGAMENTO.

NOTA: Asegúrese de posicionar estas partes exactamente como se muestra en el diagrama y utilice los agujeros correctos.

Ahora, llene los agujeros de las PATAS (H y Q) hasta 1/4 a 1/2 con PEGAMENTO (177M).

Fije las PATAS (H y Q) al PARAL IZQUIERDO (E). Apriete seis EXCÉNTRICOS ESCONDIDOS.

NOTA: Asegúrese de que los PASADORES DE MADERA del PARAL IZQUIERDO se inserten en las PATAS. Quite el exceso de PEGAMENTO.

PASO 10

Precaución: Revise las partes cuidadosamente antes de ensamblar. La separación de las piezas ya pegadas es muy difícil.

Primero, llene los dos agujeros del PARAL DERECHO (D) hasta 1/4 a 1/2 con PEGAMENTO (177M). A continuación, inserte dos PASADORES DE MADERA (15F) dentro de los agujeros. Quite el exceso de PEGAMENTO.

NOTA: Asegúrese de que las piezas están dispuestas exactamente como se muestra.

Ahora, llene los agujeros de las PATAS (P y R) hasta 1/4 a 1/2 con PEGAMENTO (177M).

Fije las PATAS (P y R) al PARAL DERECHO (D). Apriete seis EXCÉNTRICOS ESCONDIDOS.

NOTA: Asegúrese de que los PASADORES DE MADERA del PARAL DERECHO se inserten en las PATAS. Quite el exceso de PEGAMENTO.

PASO 11

Separe las CORREDERAS DE EXTENSIÓN (40MC) de los RIELES DE EXTENSIÓN (40MA) como se muestra en el diagrama superior mas abajo. Prepárese, las piezas son grasientas.

Fije los RIELES DE EXTENSIÓN (40MA) a los EXTREMOS IZQUIERDOS (B) y a los PARALES IZQUIERDOS (E). Utilice cuatro TORNILLOS DORADOS DE CABEZA PERDIDA de 8 mm (3S) a través de los agujeros No. 1 y No. 3.

NOTA: Para cada RIEL DE EXTENSIÓN, atornille un TORNILLO dentro del agujero indicado en el diagrama ampliado. A continuación deslice el cartucho interno del RIEL DE EXTENSIÓN hacia el interior para encontrar el otro agujero que se alinea con el agujero de los EXTREMOS y los PARALES. Atornille un TORNILLO dentro de este agujero.

NOTA: Las CORREDERAS DE EXTENSIÓN se utilizarán más tarde para los CAJONES GRANDES.

PASO 12

Separe las CORREDERAS DE EXTENSIÓN (40NC) de los RIELES DE EXTENSIÓN (40NA) como se muestra en el diagrama superior mas abajo. Prepárese, las piezas son grasientas.

Fije cuatro RIELES DE EXTENSIÓN (40NA) al EXTREMO IZQUIERDO (B) y al PARAL (E). Utilice ocho TORNILLOS DORADOS DE CABEZA PERDIDA de 8 mm (3S) a través de los agujeros No. 1 y No. 3.

NOTA: Para cada RIEL DE EXTENSIÓN, atornille un TORNILLO dentro del agujero indicado en el diagrama ampliado. A continuación deslice el cartucho interno del RIEL DE EXTENSIÓN hacia el interior para encontrar el otro agujero que se alinea con el agujero de los EXTREMOS y los PARALES. Atornille un TORNILLO dentro de este agujero.

NOTA: Las CORREDERAS DE EXTENSIÓN se utilizarán más tarde para los CAJONES PEQUEÑOS.

PASO 13

Fije los DORSOS (F) a los EXTREMOS (A y B). Apriete cuatro EXCÉNTRICOS ESCONDIDOS.

PASO 14

Fije los FONDOS (C) a los EXTREMOS (A y B). Apriete cuatro SUJETADORES TWIST-LOCK®.

Deslice las MOLDURAS DE FONDO (J) sobre el borde con muesca de los FONDOS (C).

PASO 15

Fije los PAALES (D y E) a los DORSOS (F) y a los FONDOS (C). Apriete cuatro SUJETADORES TWIST-LOCK® y cuatro EXCÉNTRICOS ESCONDIDOS.

PASO 16

Salte este paso y el siguiente paso si usted no adquirió el Organizador 428725.

El Escritorio en L 428728 está diseñado para acomodar el Organizador 428725. Existen dos opciones para fijar el Organizador al Escritorio en L como se muestra.

PASO 17

IMPORTANTE: Salte este paso si usted no adquirió el Organizador 428725.

Coloque el PANEL SUPERIOR (X) y el PANEL SUPERIOR DE MESA AUXILIAR (Y) planos sobre el suelo sobre espuma de empaque y unas revistas como se muestra.

Con un taladro y una broca de 5 mm, termine de taladrar completamente los cuatro agujeros que se muestran sobre la base de su preferencia del diagrama 1 o 2 en el paso 16.

PASO 18

Precaución: Revise las partes cuidadosamente antes de ensamblar. La separación de las piezas ya pegadas es muy difícil.

Primero, llene los agujeros de las PATAS (H, P, Q y R) hasta 1/4 a 1/2 con PEGAMENTO (177M). A continuación, inserte los PASADORES DE MADERA (15F) dentro de los agujeros. Quite el exceso de PEGAMENTO (177M).

Ahora, llene los cuatro agujeros del PANEL SUPERIOR (X) hasta 1/4 a 1/2 con PEGAMENTO.

Fije el EXTREMO IZQUIERDO (B) y el PARAL IZQUIERDO (E) al PANEL SUPERIOR (X). Apriete cuatro SUJETADORES TWIST-LOCK®. Quite el exceso de pegamento.

NOTA: Asegúrese de que los PASADORES DE MADERA se inserten en los agujeros en el PANEL SUPERIOR.

PASO 19

Fije el VELO DE FONDO IZQUIERDO (G) al PANEL SUPERIOR (X). Apriete dos SUJETADORES TWIST-LOCK®.

Fije el VELO DE FONDO IZQUIERDO (G) al PARAL IZQUIERDO (E). Utilice tres TORNILLOS NEGROS DE CABEZA PERDIDA de 49 mm (113S).

PASO 20

Fije el VELO DE FONDO DERECHO (O) al PANEL SUPERIOR (X). Apriete un SUJETADOR TWIST-LOCK®.

Fije el VELO DE FONDO DERECHO (O) al VELO DE FONDO IZQUIERDO (G). Utilice tres TORNILLOS NEGROS DE CABEZA PERDIDA de 49 mm (113S).

PASO 21

Fije el PANEL DERECHO (AA) al PANEL DERECHO (Z). Apriete tres EXCÉNTRICOS ESCONDIDOS.

Fije los PAALES (Z y AA) a los VELOS DE FONDO (O y G). Utilice cuatro TORNILLOS PLATEADOS DE CABEZA PERDIDA de 28 mm (10S). Apriete dos EXCÉNTRICOS ESCONDIDOS.

Fije dos PLACAS DE CONECTOR (14G) al PANEL SUPERIOR (X). Utilice ocho TORNILLOS NEGROS DE CABEZA GRANDE de 14 mm (1S).

PASO 22

Primero, llene los agujeros de las PATAS (H, P, Q y R) hasta 1/4 a 1/2 con PEGAMENTO (177M). A continuación, inserte los PASADORES DE MADERA (15F) dentro de los agujeros. Quite el exceso de PEGAMENTO (177M).

Ahora, llene los cuatro agujeros del PANEL SUPERIOR (Y) hasta 1/4 a 1/2 con PEGAMENTO.

Fije el EXTREMO DERECHO (A) y el PARAL DERECHO (D) al PANEL SUPERIOR (Y). Apriete cuatro SUJETADORES TWIST-LOCK®. Quite el exceso de pegamento.

NOTA: Asegúrese de que los PASADORES DE MADERA se inserten en los agujeros en el PANEL SUPERIOR.

PASO 23

Necesitar la ayuda de otra persona para este paso. Cuidadosamente ponga la unidad en posición vertical.

Fije el PANEL SUPERIOR DE MESA AUXILIAR (Y) al PANEL SUPERIOR (X). Utilice ocho TORNILLOS NEGROS DE CABEZA GRANDE de 14 mm (1S).

Fije el VELO DE FONDO (O) al PANEL SUPERIOR DE MESA AUXILIAR (Y). Apriete el SUJETADOR TWIST-LOCK®.

PASO 24

Fije el VELO DE FONDO DERECHO (O) al PARAL DERECHO (D). Utilice tres TORNILLOS NEGROS DE CABEZA PERDIDA de 49 mm (113S).

PASO 25

Fije el GABINETE DERECHO (40AW) al PARAL DERECHO (N) y el GABINETE IZQUIERDO (40AX) al PARAL IZQUIERDO (U). Utilice cuatro TORNILLOS DORADOS DE CABEZA PERDIDA de 8 mm (3S).

PASO 26

Usted tiene la opción de montar el ESTANTE DE TECLADO (M) debajo del PANEL SUPERIOR DE MESA AUXILIAR (Y) o PANEL SUPERIOR (X) como se muestra.

Siga el diagrama superior para fijar el ESTANTE DE TECLADO (M) al lado derecho o el diagrama inferior para fijar el ESTANTE DE TECLADO (M) al lado izquierdo.

PASO 27

ESTANTE DE TECLADO A LA IZQUIERDA

Fije los PARALES DE ESTANTE DE TECLADO (N y U) al PANEL SUPERIOR (X). Apriete cuatro SUJETADORES TWIST-LOCK®.

ESTANTE DE TECLADO A LA DERECHA

Fije el PARAL IZQUIERDO DE ESTANTE DE TECLADO (U) al PANEL SUPERIOR (X) y el PARAL DERECHO DE ESTANTE DE TECLADO (N) al PANEL SUPERIOR DE MESA AUXILIAR (Y). Apriete cuatro SUJETADORES TWIST-LOCK®.

PASO 28

Fije el CAJÓN DERECHO (40AY) y el CAJÓN IZQUIERDO (40AZ) al ESTANTE DE TECLADO (M). Utilice cuatro TORNILLOS MARRONES DE CABEZA PERDIDA de 25 mm (18S).

Inserte una GRAPA DEL CABLE (4P) en el agujero en el ESTANTE DE TECLADO (M).

NOTA: Se utiliza la GRAPA DEL CABLE para mantener el cable de teclado contra el ESTANTE DE TECLADO.

PASO 29

Fije dos BISAGRAS (14H) a la PUERTA (BB). Utilice cuatro TORNILLOS NEGROS DE CABEZA PERDIDA de 13 mm (11S).

PASO 30

Antes de ajustar la PUERTA a su unidad, asegúrese de que el tornillo de montaje se encuentre contra los topes como se muestra en el diagrama derecho. Si no lo está, afloje el tornillo de montaje para que se deslice contra los topes. Luego, apriete el tornillo de montaje.

PASO 30 (CONTINUACIÓN)

Fije la PUERTA (BB) al EXTREMO DERECHO (A) como se muestra en el diagrama inferior. Utilice los tornillos provistos de las BISAGRAS. Debe apretar cada TORNILLO unas vueltas antes de apretar cualquier tornillo firmemente.

Fije un JUEGO DE PERILLAS (136K) a la PUERTA (BB). Utilice un TORNILLO NEGRO PARA METAL de 28 mm (21S).

Empuje el TOPE DE PUERTA (4I) dentro del PARAL DERECHO (D).

Consulte el próximo paso para ajustar la PUERTA.

PASO 31

Consulte el diagrama ampliado para identificar las piezas de las BISAGRAS.

La PUERTA puede requerir ajustes. Siga el texto abajo para hacer los ajustes necesarios.

AJUSTE DE LA PUERTA:

Para ajustar las PUERTAS de un lado al otro (horizontalmente), y gire el tornillo de ajuste hacia el interior o hacia el exterior.

Para ajustar la PUERTA hacia arriba o hacia abajo (vertical), afloje los dos tornillos de ajuste. Mueva la PUERTA hacia arriba o hacia abajo a la ubicación deseada. Apriete los tornillos después de hacer los ajustes.

Para ajustar la PUERTA hacia atrás o hacia adelante (profundidad), afloje el tornillo de montaje una vuelta y mueva la PUERTA hacia el interior o hacia el exterior según sea necesario. Apriete el tornillo de montaje después de hacer los ajustes.

PASO 32

1. Inserte los LADOS DE CAJÓN GRANDE (D28 y D29) en ángulo dentro del encaje en cada extremo de la CARA DE CAJÓN GRANDE (W).

2. Deslice el FONDO DE CAJÓN GRANDE (D707) dentro de las ranuras de los LADOS DE CAJÓN GRANDE (D28 y D29) y de la CARA DE CAJÓN GRANDE (W).

3. Fije el DORSO DE CAJÓN GRANDE (D78) a los LADOS DE CAJÓN GRANDE (D28 y D29). Utilice cuatro TORNILLOS NEGROS DE CABEZA PERDIDA de 40 mm (30S).

NOTA: Asegúrese de que el FONDO DE CAJÓN GRANDE (D707) ajuste dentro de la ranura del DORSO DE CAJÓN GRANDE (D78).

PASO 33

1. Inserte los LADOS DE CAJÓN PEQUEÑO (D24 y D25) en ángulo dentro del encaje en cada extremo de la CARA DE CAJÓN PEQUEÑO (V).

2. Deslice el FONDO DE CAJÓN PEQUEÑO (D716) dentro de las ranuras de los LADOS DE CAJÓN PEQUEÑO (D24 y D25) y de la CARA DE CAJÓN PEQUEÑO (V).

PASO 33 (CONTINUACIÓN)

3. **NOTA:** Los cajones PEQUEÑOS sólo utilizan dos TORNILLOS por cajón. Remítase al diagrama.

Fije el DORSO DE CAJÓN PEQUEÑO (D109) a los LADOS DE CAJÓN PEQUEÑO (D24 y D25). Utilice dos TORNILLOS NEGROS DE CABEZA PERDIDA de 40 mm (30S).

NOTA: Asegúrese que el FONDO DE CAJÓN PEQUEÑO (D716) ajuste dentro de la ranura del DORSO DE CAJÓN PEQUEÑO (D109).

Repita este paso para el otro cajón PEQUEÑO.

PASO 34

Inserte un EXCÉNTRICO DE CORREDERA (10A) dentro de los LADOS DE CAJÓN GRANDE (D28 y D29).

Fije dos CORREDERAS DE EXTENSIÓN (40MC) a los LADOS DE CAJÓN GRANDE (D28 y D29). Utilice cuatro TORNILLOS DORADOS DE CABEZA PERDIDA de 8 mm (3S) a través de los agujeros No. 1 y No. 4.

NOTA: La cabeza de tornillo del EXCÉNTRICO debe ser visible a través del agujero alargado de la CORREDERA.

PASO 35

Empuje un CORRIMIENTO DE ARCHIVERO (15B) sobre el LADO DERECHO DE CAJÓN GRANDE (D28).

Deslice las VARILLAS DE ARCHIVERO (8B) dentro del CORRIMIENTO DE ARCHIVERO (15B) sujeta al LADO DERECHO DE CAJÓN GRANDE (D28).

Deslice otro CORRIMIENTO DE ARCHIVERO (15B) sobre el otro extremo de las VARILLAS DE ARCHIVERO (8B) y presione este CORRIMIENTO DE ARCHIVERO sobre el LADO IZQUIERDO DE CAJÓN GRANDE (D29).

Fije un JUEGO DE PERILLAS (136K) a la CARA DE CAJÓN GRANDE (W). Utilice un TORNILLO NEGRO PARA METAL de 28 mm (21S).

PASO 36

Inserte un EXCÉNTRICO DE CORREDERA (10A) dentro de los LADOS DE CAJÓN PEQUEÑO (D24 y D25).

Fije dos CORREDERAS DE EXTENSIÓN (40NC) a los LADOS DE CAJÓN PEQUEÑO (D24 y D25). Pase dos TORNILLOS NEGROS DE CABEZA PERDIDA de 40 mm (30S) a través del agujero No. 1, a través de los LADOS DE CAJÓN PEQUEÑO, y en el DORSO DE CAJÓN PEQUEÑO (D109). Utilice dos TORNILLOS DORADOS DE CABEZA PERDIDA de 8 mm (3S) a través del agujero No. 3.

NOTA: La cabeza de tornillo del EXCÉNTRICO debe ser visible a través del agujero alargado de la CORREDERA.

Fije un JUEGO DE PERILLAS (136K) a una CARA DE CAJÓN (V). Utilice un TORNILLO NEGRO PARA METAL de 28 mm (21S).

Repita este paso para el otro cajón PEQUEÑO.

PASO 37

Inserte un OJAL (10P) y la CUBIERTA DE OJAL (1P) dentro del agujero grande del PANEL SUPERIOR (X).

Para insertar el ESTANTE DE TECLADO (M) dentro de la unidad, incline la parte delantera del ESTANTE DE TECLADO hacia abajo y deje que los rodillos del ESTANTE DE TECLADO caigan detrás de los rodillos de la unidad. Levante la parte delantera del ESTANTE DE TECLADO hacia arriba y deslícelo dentro de la unidad.

NOTA: Antes de insertar un cajón, asegúrese que el CARTUCHO INTERNO del RIEL DE EXTENSIÓN en su unidad está hacia adelante. El CARTUCHO INTERNO debe hacer clic en su lugar contra la LENGÜETA NEGRA.

Para insertar los cajones dentro de la unidad, alinee las CORREDERAS DE EXTENSIÓN sujetadas al cajón con los RIELES DE EXTENSIÓN sujetados a la unidad y empuje los cajones dentro de la unidad hasta que los cajones estén completamente insertados. Los cajones mueven con dificultad hasta que se inserten completamente dentro de la unidad, después deslizarán fácilmente hacia adentro y hacia afuera.

Empuje los MANGUITOS DE GOMA (2R) sobre las ESPIGAS DE METAL (1R). Inserte las ESPIGAS DE METAL dentro de los agujeros al nivel preferido del EXTREMO DERECHO (A) y el PARAL DERECHO (D). Coloque el ESTANTE AJUSTABLE (T) sobre las ESPIGAS DE METAL.

Con un martillo, empuje una CUBIERTA DE EXCÉNTRICO (75P) sobre cada EXCÉNTRICO ESCONDIDO visible.

PASO 38

Para ajustar los cajones pequeños, afloje el TORNILLO No. 3 de las CORREDERAS una cuarta vuelta y después gire la leva hacia la derecha o hacia la izquierda. Observe que el cajón sube o baja al girar la LEVA. Entre más alto esté el tornillo en el agujero oblongo, más alto estará el frente del cajón. Entre más bajo esté el tornillo, el frente del cajón estará más bajo. Al ajustar el cajón de esta manera, mejorará la alineación de la CARA DE CAJÓN una vez cerrada. Apriete los TORNILLOS después de hacer los ajustes.

Para ajustar el cajón grande, afloje el TORNILLO No. 4 de las CORREDERAS una cuarta vuelta y después gire la leva hacia la derecha o hacia la izquierda. Observe que el cajón sube o baja al girar la LEVA. Entre más alto esté el tornillo en el agujero oblongo, más alto estará el frente del cajón. Entre más bajo esté el tornillo, el frente del cajón estará más bajo. Al ajustar el cajón de esta manera, mejorará la alineación de la CARA DE CAJÓN una vez cerrada. Apriete los TORNILLOS después de hacer los ajustes.

NOTA: Por favor, lea las páginas de atrás del folleto de instrucciones en cuanto a importante información de seguridad.

Esto completa el ensamblaje. Limpiar con un trapo húmedo. Seque con un paño.

⚠ WARNING

Please use your furniture correctly and safely. Improper use can cause safety hazards, or damage to your furniture or household items. **Carefully read the following chart.**

Look out for:	What can happen:	How to avoid the problem:
<ul style="list-style-type: none"> Overloaded shelves or drawers. Improper loading can cause the product to be top-heavy. 	<ul style="list-style-type: none"> Risk of injury. Top-heavy furniture can tip over. Overloaded shelves and drawers can break. 	<ul style="list-style-type: none"> Never exceed the weight limits shown in the instructions. Work from bottom to top when loading shelves and drawers. Place the heavier items on the lower shelves or in lower drawers.
<ul style="list-style-type: none"> Improperly moving furniture that is not designed and equipped with casters. 	<ul style="list-style-type: none"> Furniture can tip over or break if improperly moved. Physical injury. Furniture can be very heavy. Breakage of tops - particularly with double pedestal furniture (drawers at both ends). 	<ul style="list-style-type: none"> Unload shelves and drawers from top to bottom before moving the unit. Do not push furniture, especially on a carpeted floor. Have a friend help you lift the item and set it in place. Provide support to the center section of the top when lifting the furniture.
<ul style="list-style-type: none"> Placing TVs on furniture items that are not designed to support a television is hazardous. 	<ul style="list-style-type: none"> Risk of injury or death. TVs can be very heavy. Plus the weight and location of the picture tube tends to make TVs unbalanced and prone to tipping forward. 	<ul style="list-style-type: none"> This product is not designed to support a television.

⚠ AVERTISSEMENT

Prière d'utiliser le mobilier à bon escient et avec prudence. Une mauvaise utilisation peut être à l'origine de risques d'accident ou peut endommager le mobilier et les articles ménagers. **Lire attentivement le tableau suivant.**

À surveiller :	Danger éventuel :	Solution :
<ul style="list-style-type: none"> Tablettes ou tiroirs surchargés. En cas de chargement inadéquat l'élément peut être lourd du haut. 	<ul style="list-style-type: none"> Risque de blessure. Du mobilier mal équilibré risque de se renverser. Tablettes et tiroirs surchargés risquent de casser. 	<ul style="list-style-type: none"> Ne jamais excéder les limites de poids indiquées dans les instructions. Pour charger les tablettes et tiroirs, commencer par remplir celui du bas pour finir par celui du haut. Placer les articles plus lourds sur les tablettes inférieures ou dans les tiroirs inférieurs.
<ul style="list-style-type: none"> Déplacement inadéquat d'un mobilier qui n'est pas conçu pour avoir des roulettes et n'en est pas équipé. 	<ul style="list-style-type: none"> Le mobilier risque de se renverser ou de casser en cas de déplacement inadéquat. Blessure physique. Le mobilier peut être très lourd. Défaillance des dessus surtout avec les éléments de double piédestaux (tiroirs en chaque extrémité). 	<ul style="list-style-type: none"> Décharger les tablettes et tiroirs en commençant par celui du haut avant de déplacer l'élément. Ne pas pousser le meuble, surtout sur la moquette. Se faire aider par une autre personne pour soulever l'élément et le mettre en place. Supporter la section centrale du dessus lorsque l'on soulève le meuble.
<ul style="list-style-type: none"> Il est dangereux de placer des téléviseurs sur des meubles que ne sont pas prévus à cet effet. 	<ul style="list-style-type: none"> Risque de blessures graves, voire mortelles. Les téléviseurs peuvent être particulièrement lourds. De plus, le poids et l'emplacement du tube image ont tendance à rendre les téléviseurs instables et enclins à tomber vers l'avant. 	<ul style="list-style-type: none"> Ce produit n'est pas destiné à supporter un téléviseur.

⚠️ ADVERTENCIA

Por favor use el mobiliario correcta y seguramente. El mal uso puede causar riesgos de seguridad o daño a las unidades o artículos domésticos. **Cuidadosamente lea la tabla a continuación.**

Esté alerta de:	Puede ocurrir:	Evitar el problema:
<ul style="list-style-type: none">• Estantes o cajones sobrecargados.• Cargar el producto de manera inadecuada puede causar la inestabilidad.	<ul style="list-style-type: none">• Riesgo de lesiones.• El mobiliario inestable puede volcarse.• Estantes y cajones sobrecargados pueden romperse.	<ul style="list-style-type: none">• Nunca exceder los límites de peso indicados en las instrucciones.• Cargue los estantes y cajones a partir de la base y trabaje hacia arriba. Coloque los artículos más pesados sobre los estantes inferiores o en los cajones inferiores.
<ul style="list-style-type: none">• Mover incorrectamente el mobiliario que no está diseñado y provisto con ruedecitas.	<ul style="list-style-type: none">• La inclinación o rotura del mobiliario es posible si se mueve de manera inadecuada.• Lesión física. El mobiliario puede ser muy pesado.• Rotura de las superficies especialmente las unidades con dos pedestales (con cajones en cada extremo).	<ul style="list-style-type: none">• Descargue los estantes y cajones desde arriba hacia abajo antes de mover la unidad.• No empuje la unidad, especialmente sobre un piso alfombrado. Pide la ayuda de otra persona para levantar la unidad y colocarla en lugar.• Soporte la sección central del panel superior cuando levanta el mueble.
<ul style="list-style-type: none">• Es peligroso colocar los televisores sobre unidades de mobiliario que no están diseñadas para soportar un televisor.	<ul style="list-style-type: none">• Riesgo de lesiones o muerte. Los televisores pueden ser muy pesados. Además, el peso y la ubicación del tubo de imagen tienden a causar la inestabilidad de televisores y propensa a volcarse hacia adelante.	<ul style="list-style-type: none">• Este producto no está diseñado para soportar un televisor.

5-YEAR LIMITED WARRANTY

1. Sauder Woodworking Co. (Sauder®) provides limited warranty coverage to the original purchaser of this product for a period of five years from the date of purchase against defects in materials or workmanship of Sauder furniture components. As used in this Warranty, "defect" means imperfections in components which substantially impair the utility of the product. This Warranty gives you specific legal rights, and you may also have other rights which vary from state to state.

2. There is no warranty coverage for defects or conditions that result from the failure to follow product assembly instructions, information or warnings, misuse or abuse, intentional damage, fire, flood, alteration or modification of the product, or use of the product in a manner inconsistent with its intended use, nor any condition resulting from incorrect or inadequate maintenance, cleaning, or care. There is also no warranty coverage for rented products or any products purchased "used" or "as is", at a distress or going-out-of business sale, or from a liquidator.

3. As the exclusive remedy under this Warranty, Sauder will (at its sole option) repair, replace or refund the value of any defective furniture component. Sauder may require independent confirmation of the claimed defect and proof of purchase. Replacement parts will be warranted for only the remaining period of the original Warranty. SAUDER SHALL HAVE NO LIABILITY FOR ANY INCIDENTAL OR CONSEQUENTIAL DAMAGES OF ANY KIND and all such damages are EXCLUDED FROM THIS WARRANTY, such as loss of use, disassembly, transportation, labor or damage to property on or near the product. Some states do not allow the exclusion or limitation of incidental or consequential damages, so the above limitation or exclusion may not apply to you.

GARANTIE LIMITÉE DE 5 ANS

1. Sauder Woodworking Co. (Sauder®) offre une couverture de garantie limitée à l'acheteur initial du présent produit pendant une période de cinq ans à compter de la date d'achat contre tout défaut de matériaux ou de fabrication des composantes de mobilier Sauder. Le mot « défaut », tel qu'il est utilisé sous les termes de la présente garantie, comprend les imperfections des pièces qui empêchent substantiellement l'utilisation du produit. La présente garantie vous donne des droits légaux spécifiques et il est possible que vous ayez des droits supplémentaires variant d'État en État ou de province en province.

2. La présente garantie ne saurait couvrir les défauts ou conditions qui surviendraient à la suite du non respect des instructions, informations ou mises en garde de montage, d'une mauvaise utilisation ou d'un abus, d'un dommage intentionnel, d'un incendie, d'une inondation, d'une altération ou modification du produit, d'une utilisation du produit allant à l'encontre de son usage prévu, ni aucune condition résultant d'une maintenance, d'un nettoyage ou d'un entretien inappropriés ou inadéquats. De plus, il n'existe aucune garantie pour les produits loués ou tous les produits achetés « d'occasion » ou « en l'état », dans le cadre d'une vente aux enchères ou de solde pour cessation de commerce, ou auprès d'un liquidateur.

3. En tant que recours exclusif en vertu de la présente garantie, Sauder réparera, remplacera ou remboursera (sur sa seule décision) la valeur de toute composante de mobilier défectueuse. Sauder peut exiger une confirmation indépendante du défaut revendiqué ainsi qu'une preuve d'achat. Les pièces de rechange seront garanties uniquement pendant la période restante de la garantie originale. SAUDER NE SERA EN AUCUN CAS RESPONSABLE DE TOUT DOMMAGE ACCESSOIRE OU CONSÉCUTIF DE TOUTE SORTE et lesdits dommages sont EXCLUS DE LA PRÉSENTE GARANTIE, à savoir perte d'utilisation, démontage, transport, main d'œuvre ou dommages matériels sur ou à proximité du produit. Certains États ou provinces ne permettant pas l'exclusion ou la limite aux responsabilités pour dommages accidentels ou consécutifs, la limite ou l'exclusion ci-dessus peut ne pas être applicable.

GARANTÍA LIMITADA DE 5 AÑOS

1. Sauder Woodworking Co. (Sauder®) provee cobertura de garantía limitada al comprador original de este producto por un período de cinco años, a partir de la fecha de compra, contra defectos en los materiales o de mano de obra en los componentes de muebles Sauder. Como es utilizado en esta Garantía, "defecto" significa imperfecciones en los componentes que de manera fundamental afecta la utilidad del producto. Esta Garantía le permite a usted ciertos derechos legales, y usted también podría poseer otros derechos adicionales, los cuales varían de estado a estado.

2. No hay cobertura de garantía para defectos o estados que resulten del incumplimiento en seguir las instrucciones, la información o las advertencias sobre el ensamblaje del producto; del uso incorrecto o maltrato, del daño intencional, incendio, inundación, cambio o modificación del producto; o de la utilización del producto de manera contradictoria con el uso para el cual fue fabricado, ni por ningún estado que resulte del mantenimiento, limpieza o cuidado incorrecto o inadecuado. Tampoco no hay cobertura de garantía para los productos rentados o para cualesquiera productos comprados "de uso" o "como está", en una venta de bienes embargados o en una venta por salirse del negocio, o comprados a un liquidador.

3. Como un recurso exclusivo bajo esta Garantía, Sauder (sólo a su opción) reparará, reemplazará o reembolsará el valor de cualquier componente defectuoso de mueble. Sauder puede requerir una confirmación independiente de un defecto reclamado y una prueba de compra. Las piezas de repuesto serán garantizadas solamente por el período de tiempo que queda de la Garantía original. SAUDER NO TENDRÁ RESPONSABILIDAD POR NINGÚN DAÑO INCIDENTAL O CONSUCUENTE DE NINGÚN TIPO y todos dichos daños SE EXCLUYEN DE ESTA GARANTÍA, tales como pérdida de uso, desensamblaje, transportación, trabajo o daño a la propiedad en o cerca del producto. Algunos estados no permiten la exclusión o limitación de daños incidentales o consecuentes, en tales instancias la limitación o exclusión antes mencionada podría no ser aplicable a usted.

4. This Warranty applies only to warranted defects that first arise and are reported to Sauder within the warranty coverage period. The Warranty cannot be transferred to subsequent owners or users of the product, and it shall be immediately void in the event the product is resold, transferred, leased or rented to any third party or person other than the original purchaser.

5. THERE ARE NO OTHER WARRANTIES APPLICABLE TO THIS PRODUCT. Under the laws of certain states, there may be no implied warranties from Sauder and all implied warranties, INCLUDING ANY IMPLIED WARRANTY OF MERCHANTABILITY OR FITNESS FOR A PARTICULAR PURPOSE are disclaimed where allowed by law. TO THE EXTENT ANY IMPLIED WARRANTIES ARE APPLICABLE, ANY IMPLIED WARRANTIES, INCLUDING ANY IMPLIED WARRANTY OF MERCHANTABILITY OR FITNESS FOR A PARTICULAR PURPOSE, ARE LIMITED IN DURATION TO THE DURATION OF THIS EXPRESS WARRANTY or the minimum period allowed by law, whichever is shorter. Some states do not allow limitations on how long an implied Warranty lasts, so the above limitation may not apply to you.

6. For Warranty inquiries or claims, please visit our website www.sauder.com. You can also contact Sauder at 1.800.523.3987. Sauder may require Warranty claims to be submitted in writing to: Sauder Woodworking Co., 502 Middle Street, Archbold, OH 43502 USA. Please include your sales receipt or other proof of purchase and a specific description of the product defect.

4. La présente garantie ne s'applique qu'aux défauts garantis qui se produisent pour la première fois et qui sont signalés à Sauder dans les limites de couverture de la garantie. La garantie ne peut pas être transférée à des propriétaires ou utilisateurs subséquents du produit, et sera immédiatement invalidée dans le cas où le produit est revendu, transféré, loué sous bail ou loué à une tierce partie ou personne autre que l'acheteur original.

5. IL N'EXISTE AUCUNE AUTRE GARANTIE EN VIGUEUR POUR LE PRÉSENT PRODUIT. En vertu des lois de certains États ou provinces, il ne peut y avoir de garanties implicites de la part de Sauder et toutes les garanties implicites, Y COMPRIS TOUTE GARANTIE IMPLICITE DE COMMERCIALITÉ OU D'ADAPTATION À UN USAGE PARTICULIER sont déclinées partout où la loi l'autorise. DANS LA MESURE OÙ TOUTE GARANTIE IMPLICITE EST APPLICABLE, TOUTE GARANTIE IMPLICITE, Y COMPRIS TOUTE GARANTIE DE COMMERCIALITÉ OU D'ADAPTATION À UN USAGE PARTICULIER, EST LIMITÉE À LA DURÉE DE LA PRÉSENTE GARANTIE EXPRESSE ou à la période minimum autorisée par la loi, la période la plus courte étant retenue. Certains États ne permettant pas que des limites soient imposées quant à la durée d'une garantie implicite, la limite ci-dessus peut donc ne pas être applicable.

6. Pour toute question concernant la garantie ou toute demande de réclamation, consulter le site Web www.sauder.com. Il est également possible de contacter Sauder en composant le 1.800.523.3987. Sauder peut exiger de soumettre les demandes de réclamation sous garantie par écrit à : Sauder Woodworking Co., 502 Middle Street, Archbold, OH 43502 USA. Veuillez joindre votre ticket de caisse ou toute autre preuve d'achat ainsi qu'une description spécifique du défaut de produit.

4. Esta Garantía sólo es aplicable a defectos garantizados que primeramente surjan y se informen a Sauder dentro del período de cobertura de garantía. La Garantía no puede ser transferida a propietarios o usuarios subsiguientes del producto, y ésta será inmediatamente invalidada en el caso que el producto sea revendido, transferido, arrendado o rentado a cualquier tercero u otra persona que no sea el comprador original.

5. NO HAY OTRA GARANTÍA APLICABLE A ESTE PRODUCTO. Bajo las leyes de ciertos estados, pueden no haber garantías implícitas de Sauder y se hace renuncia de responsabilidad de todas las garantías implícitas donde lo permita la ley, INCLUYENDO CUALQUIER GARANTÍA IMPLICITA DE MERCANTABILIDAD O DE APTITUD PARA UN PROPOSITO EN PARTICULAR. EN LA MEDIDA CUALQUIER GARANTÍA IMPLICITA ES APLICABLE, CUALESQUIERA GARANTÍAS IMPLICITAS, INCLUYENDO AQUELLA DE MERCANTABILIDAD O DE APTITUD PARA UN PROPOSITO EN PARTICULAR, SE LIMITAN EN DURACIÓN HASTA LA DURACIÓN DE ESTA GARANTÍA IMPLICITA o hasta el periodo mínimo permitido por la ley, la que sea más corta. Algunos estados no permiten limitaciones en cuanto a la duración de una garantía implícita, por eso la limitación arriba citada pueda no ser aplicable a usted.

6. Para solicitud de información o reclamación de Garantía, por favor, visite nuestro sitio Web www.sauder.com. Usted también puede contactar a Sauder llamando al 1.800.523.3987. Sauder puede solicitar que las reclamaciones sean presentadas por escrito a: Sauder Woodworking Co., 502 Middle Street, Archbold, OH 43502 USA. Por favor incluya su recibo de venta u otra prueba de compra y una descripción detallada del defecto del producto.

CONTACT US FIRST BEFORE MAKING ANY RETURNS TO THE RETAILER.

Dear Valued Customer:

Thanks so much for choosing Sauder® furniture. I hope the purchase and assembly process was a positive experience and you feel good about the furniture you just built.

My grandfather, Erie Sauder, founded the company in 1934 and later invented and patented the first commercially successful ready-to-assemble tables. We strive to hold true to his core values of innovation, integrity, servanthood and stewardship.

Sauder products are made with environmentally responsible materials and world-class manufacturing processes. Our 2,000+ dedicated employees in Archbold, Ohio, along with our global manufacturing partners, are committed to providing you furniture with great value, style and quality.

From our family to you. Enjoy!



Kevin J. Sauder
President/CEO



Register your new product online

For immediate service, our website is available 24 hours per day, 7 days per week, to order replacement parts, access assembly tips, register your product and view Sauder products. www.sauder.com/service

So, how did it go?

Set a world record for speed?
Feeling good about yourself?
Nice. Get social with it on any of these quality share sites.



If you need assistance or want to learn more, please contact our award-winning, Ohio-based customer service team at **1-800-523-3987** Monday-Friday - 8:30 a.m. to 5 p.m. EST (except holidays) or at sauder.com/service.



And don't forget to rate and review your piece at Sauder.com in the product detail page.



General Conformity Certificate

1. This certificate applies to the Sauder Woodworking Product identified by this Instruction Book.
2. This certificate applies to compliance of this product with the CPSC Ban on Lead-Containing Paint (16 CFR 1303).
3. This product is manufactured by:
Sauder Woodworking Company
502 Middle St.
Archbold, OH 43502
419-446-2711
4. Date of Manufacture: _____

