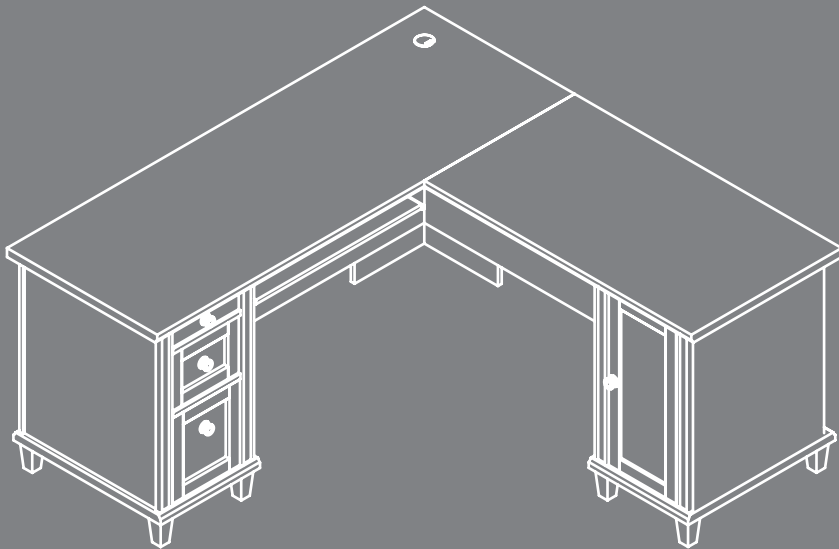


CONTACT US FIRST BEFORE MAKING ANY RETURNS TO THE RETAILER.

Visit [sauder.com/service](https://www.sauder.com/service) to order replacement parts, view video assembly tips, or chat with a live rep.
Prefer the phone? Give us a ring at 1-800-445-1527.

Customer Service is available Monday-Friday - 9 a.m. to 5:30 p.m. EST (except holidays)



For **all** your
newfangled **gadgetry**.

L-Desk

Hammond Collection | **Model 428243**

[Sauder.com](https://www.sauder.com)

NOTE: THIS INSTRUCTION
BOOKLET CONTAINS **IMPORTANT**
SAFETY INFORMATION.

PLEASE READ AND KEEP FOR
FUTURE REFERENCE.

English pg 1-38
Français pg 39-43
Español pg 44-48

Lot # **549495**
Purchased: _____

06/17/20

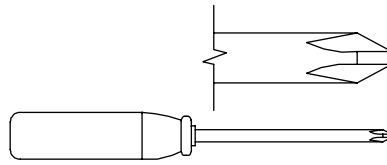
Share your journey!



Table of Contents

Assembly Tools Required

Part Identification	2-3
Hardware Identification	4-5
Assembly Steps	6-38
Français	39-43
Español	44-48
Safety	49-50
Warranty	51



No. 2 Phillips Screwdriver
Tip Shown Actual Size

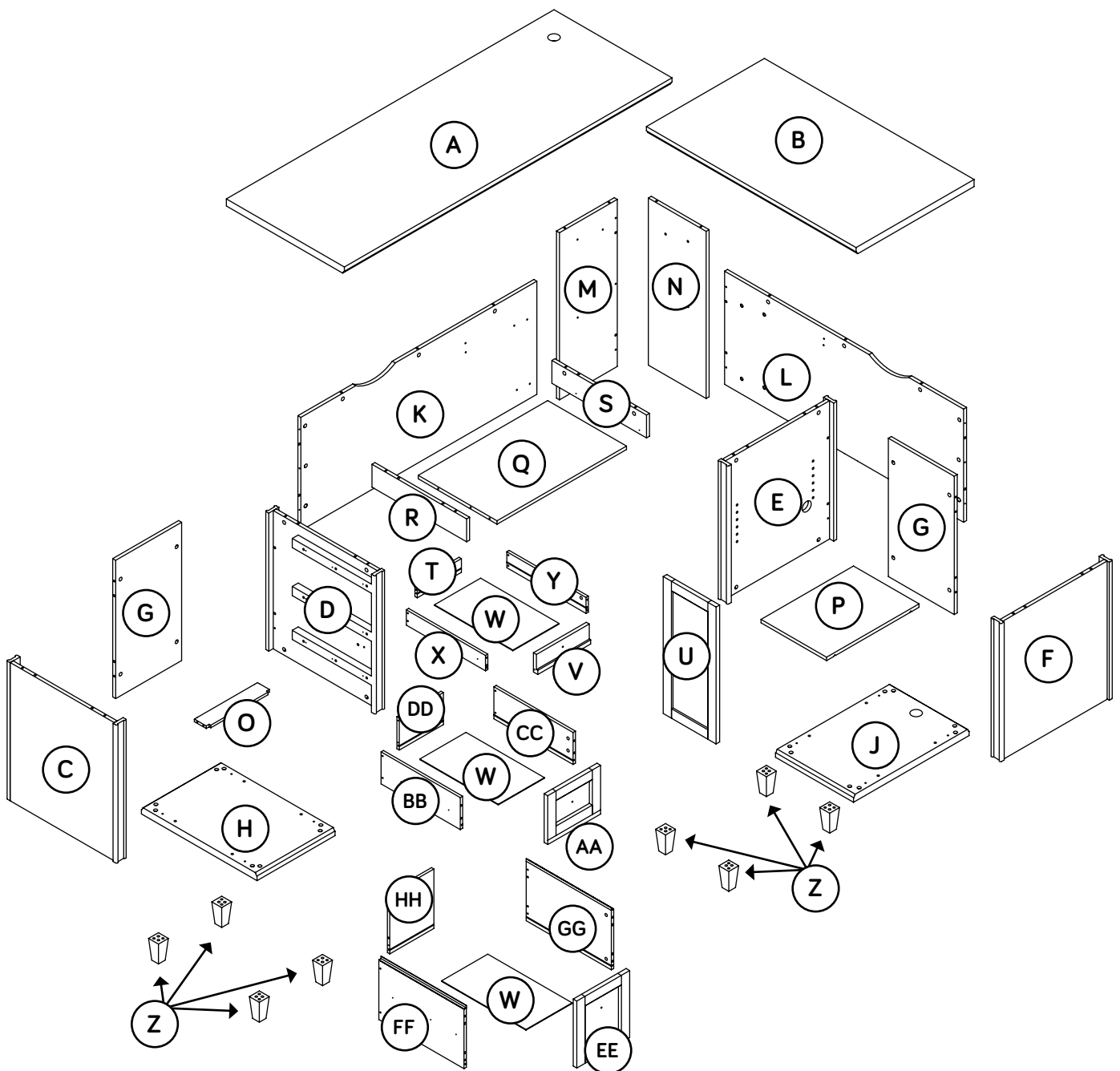
A	LARGE TOP (1)	N	RIGHT BACK LEG (1)	Z	FOOT (8)
B	SMALL TOP (1)	O	DRAWER BRACE (1)	AA	DRAWER FRONT (1)
C	LEFT END (1)	P	ADJUSTABLE SHELF (1)	BB	LEFT DRAWER SIDE (1)
D	LEFT UPRIGHT (1)	Q	KEYBOARD SHELF (1)	CC	RIGHT DRAWER SIDE (1)
E	RIGHT UPRIGHT (1)	R	LEFT KEYBOARD UPRIGHT (1)	DD	DRAWER BACK (1)
F	RIGHT END (1)	S	RIGHT KEYBOARD UPRIGHT (1)	EE	LARGE DRAWER FRONT (1)
G	BACK (2)	T	SMALL DRAWER BACK (1)	FF	LARGE LEFT DRAWER SIDE (1)
H	LEFT BOTTOM (1)	U	DOOR (1)	GG	LARGE RIGHT DRAWER SIDE (1)
J	RIGHT BOTTOM (1)	V	SMALL DRAWER FRONT (1)	HH	LARGE DRAWER BACK (1)
K	LEFT MODESTY PANEL (1)	W	DRAWER BOTTOM (3)		
L	RIGHT MODESTY PANEL (1)	X	SMALL LEFT DRAWER SIDE (1)		
M	LEFT BACK LEG (1)	Y	SMALL RIGHT DRAWER SIDE (1)		

Part Identification

Now you know
our ABCs.



↑ While not all parts are labeled, some of the parts will have a label or an inked letter on the edge to help distinguish similar parts from each other. Use this part identification to help identify similar parts.

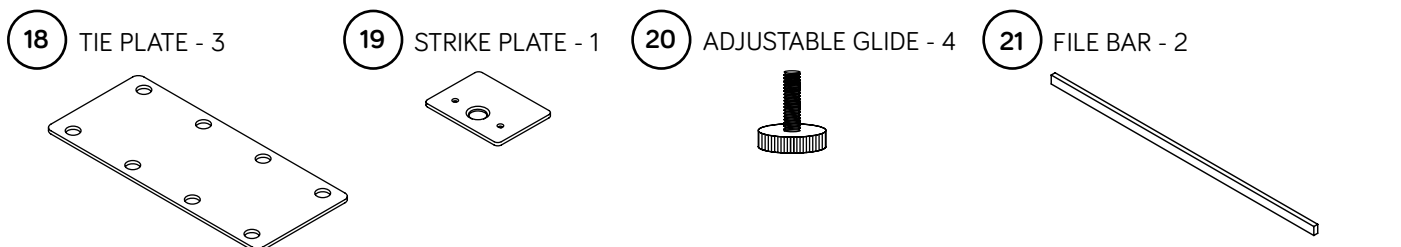
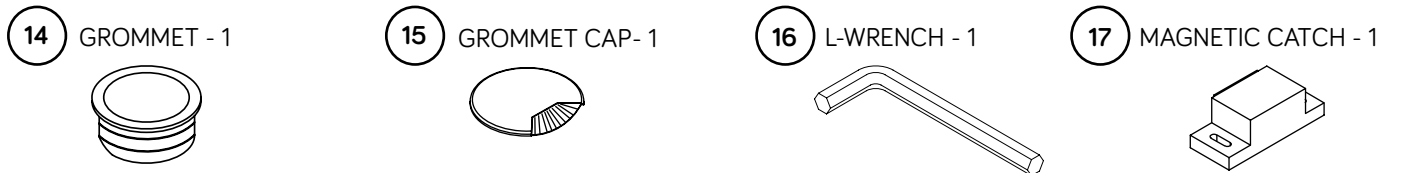
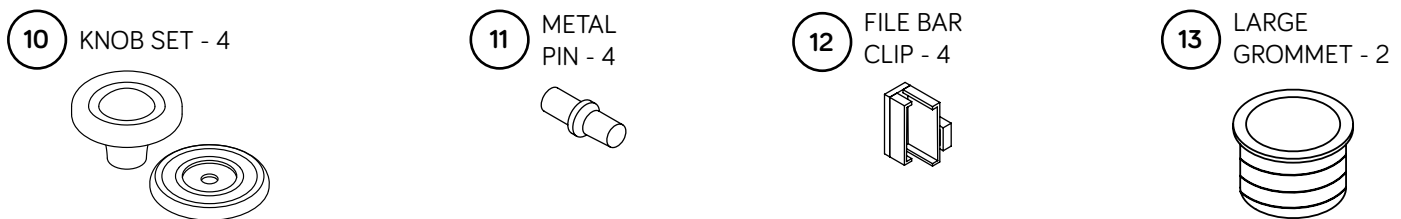
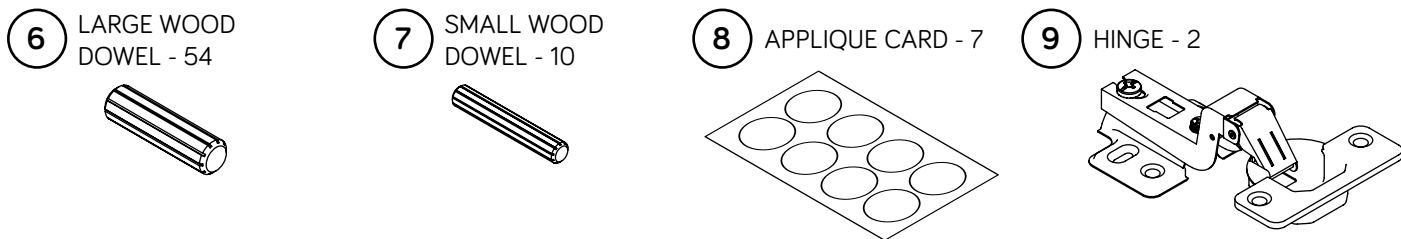
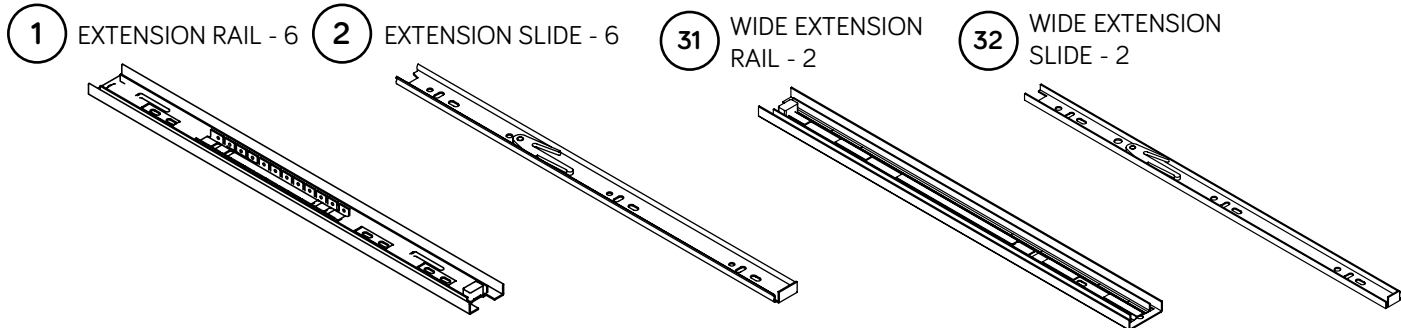


Hardware Identification

† Screws are shown actual size. You may receive extra hardware with your unit.

(EXTENSION SET SHOWN SEPARATED)

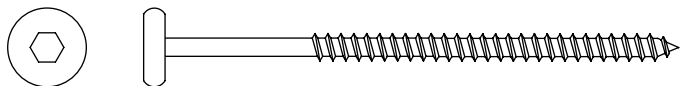
(EXTENSION SET SHOWN SEPARATED)



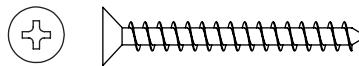
Hardware Identification

† Screws are shown actual size. You may receive extra hardware with your unit.

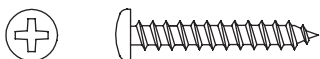
22 BLACK 2-3/4" HEX HEAD SCREW - 16



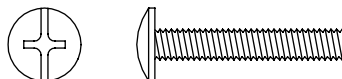
23 BLACK 1-3/8" FLAT HEAD SCREW - 16



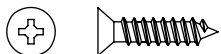
24 BLACK 1" PAN HEAD SCREW - 32



25 BLACK 1" MACHINE SCREW - 2



26 BLACK 5/8" FLAT HEAD SCREW - 44



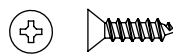
27 NARROW BLACK 5/8" FLAT HEAD SCREW - 2



28 BLACK 1/2" FLAT HEAD SCREW - 18



29 NARROW BLACK 1/2" FLAT HEAD SCREW - 1



30 BLACK 1/2" MACHINE SCREW - 2

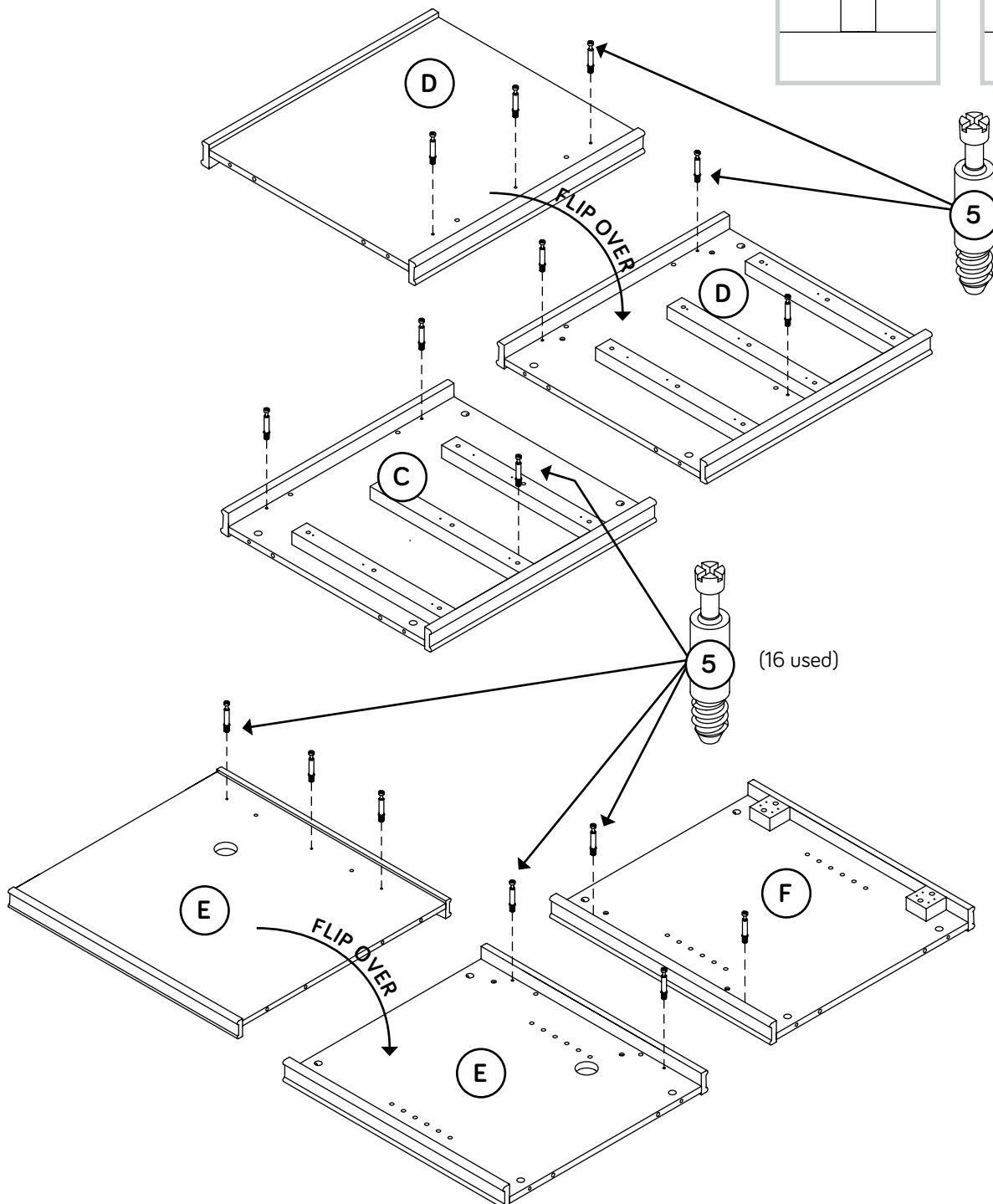
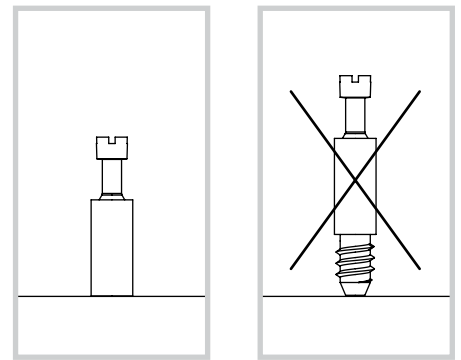


Step 1

Look for this icon. It means a video assembly tip is available at www.sauder.com/service/tips
Find the numbered video or scan the QR code.

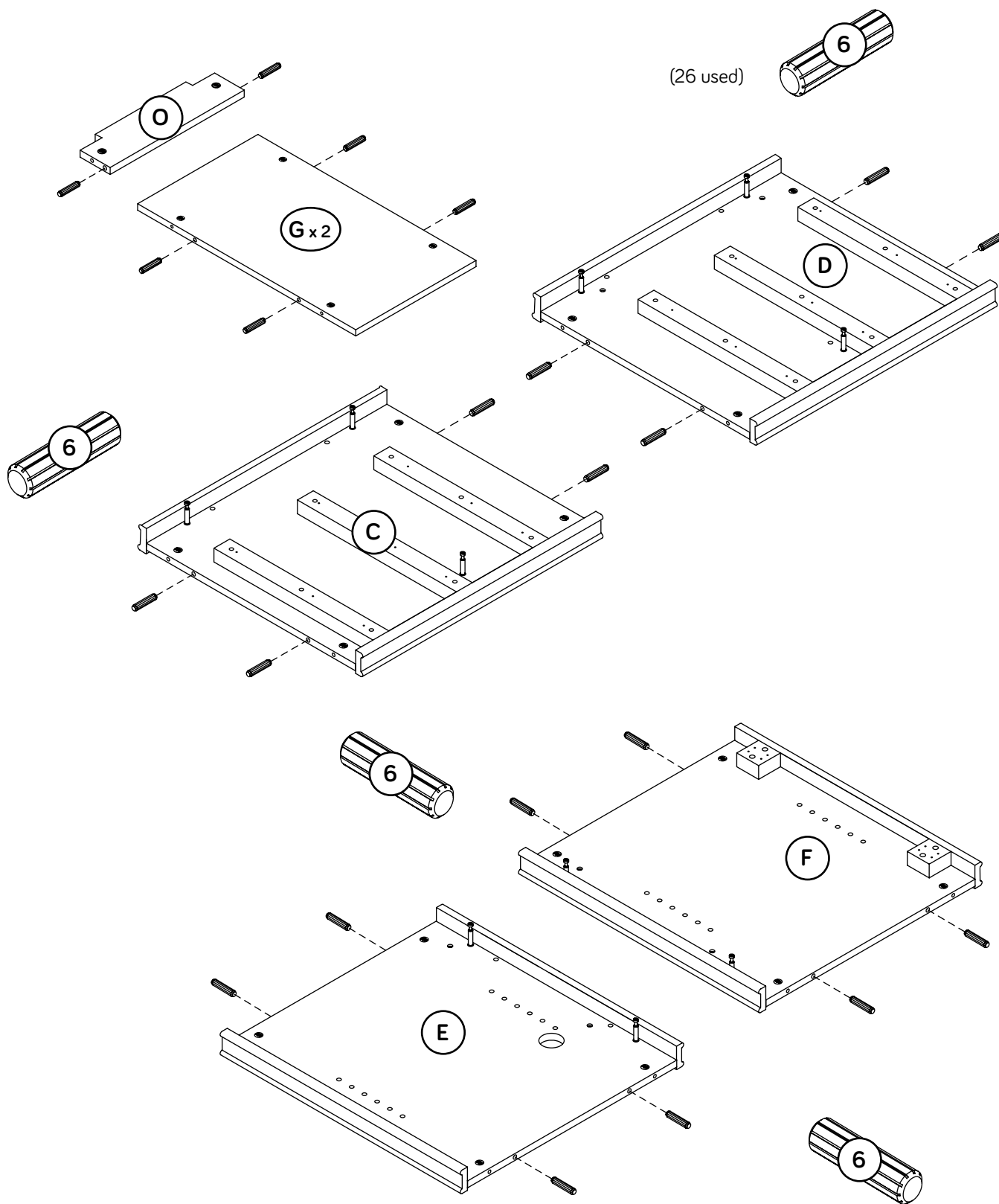


- ✚ Assemble your unit on a carpeted floor or on the empty carton to avoid scratching your unit or the floor.
- ✚ Turn sixteen CAM SCREWS (5) into the ENDS (C and F) and UPRIGHTS (D and E).



Step 3

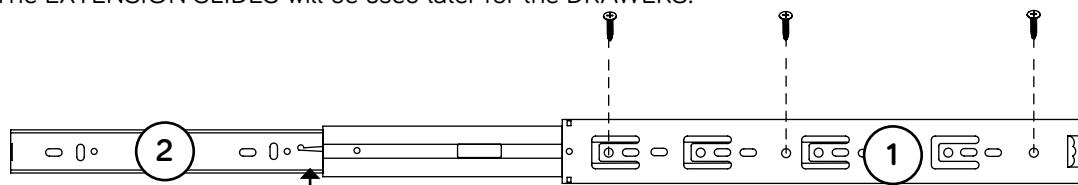
- ✚ Insert twenty-six LARGE WOOD DOWELS (6) into the edges of the ENDS (C and F) and UPRIGHTS (D and E), BACKS (G) and BRACE (O).



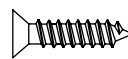
Step 4



- ✚ Separate six EXTENSION SLIDES (2) from the EXTENSION RAILS (1) as shown in the upper diagram below. Be prepared, the parts are greasy.
- ✚ Fasten the EXTENSION RAILS (1) to the LEFT END (C) and LEFT UPRIGHT (D). Use eighteen BLACK 5/8" FLAT HEAD SCREWS (26).
- ✚ **NOTE:** For each EXTENSION RAIL, turn a SCREW into the hole shown in the enlarged diagram. Then, slide the inner cartridge of the EXTENSION RAIL in to find the other holes that line up with the holes in the END and UPRIGHT. Turn a SCREW into these holes.
- ✚ **NOTE:** The EXTENSION SLIDES will be used later for the DRAWERS.

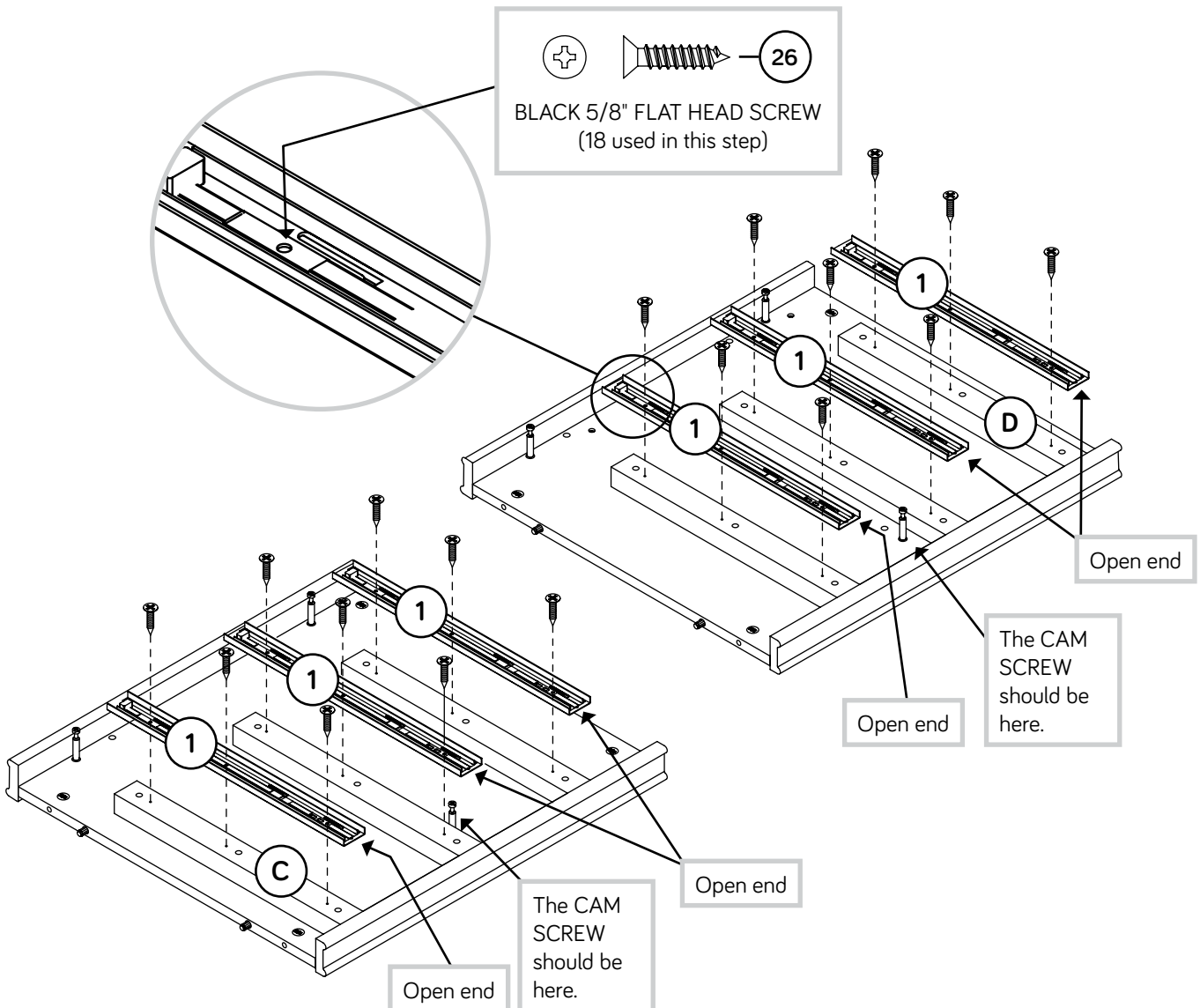


Push the release lever in and pull the SLIDE from the RAIL.



26

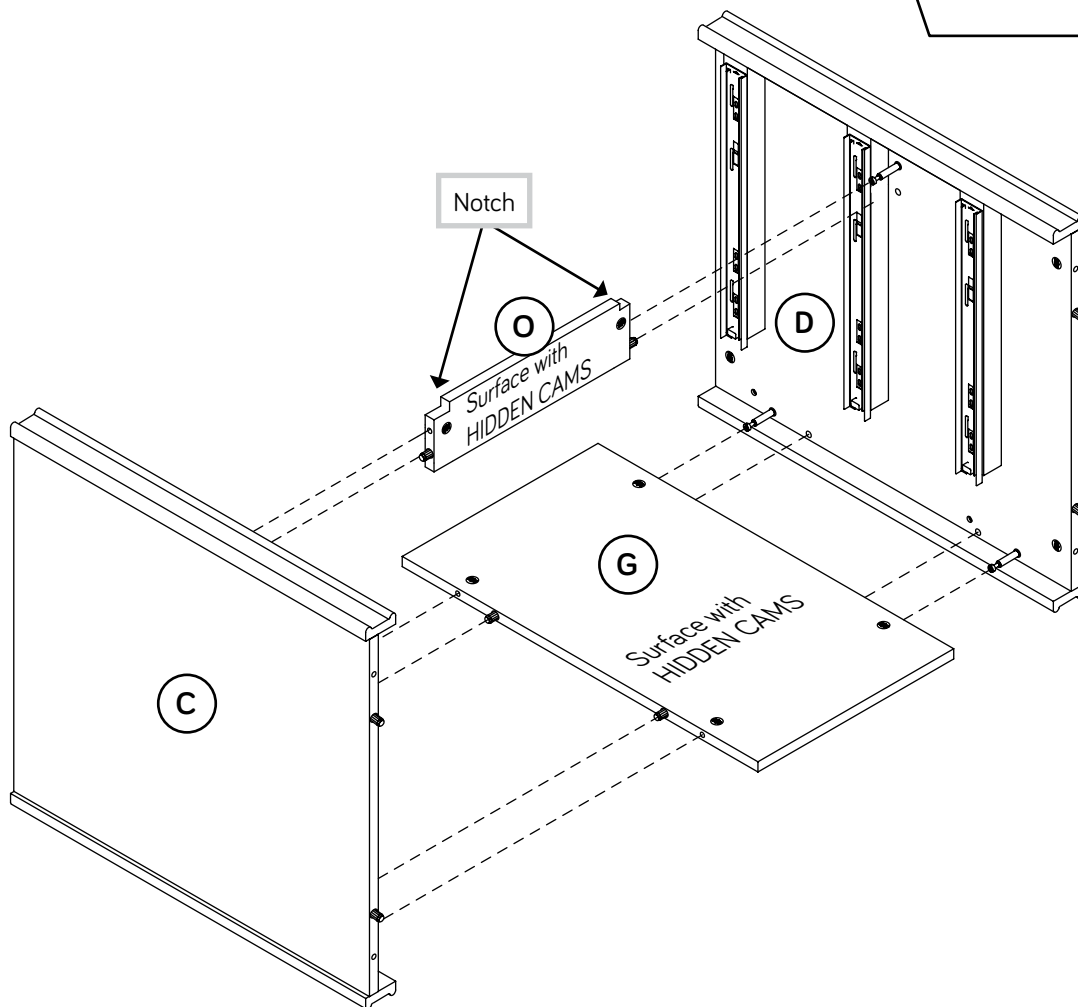
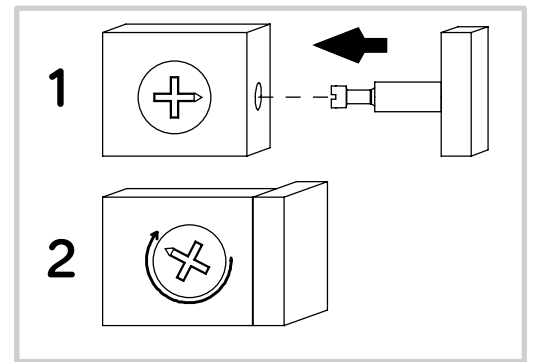
BLACK 5/8" FLAT HEAD SCREW
(18 used in this step)



Step 5



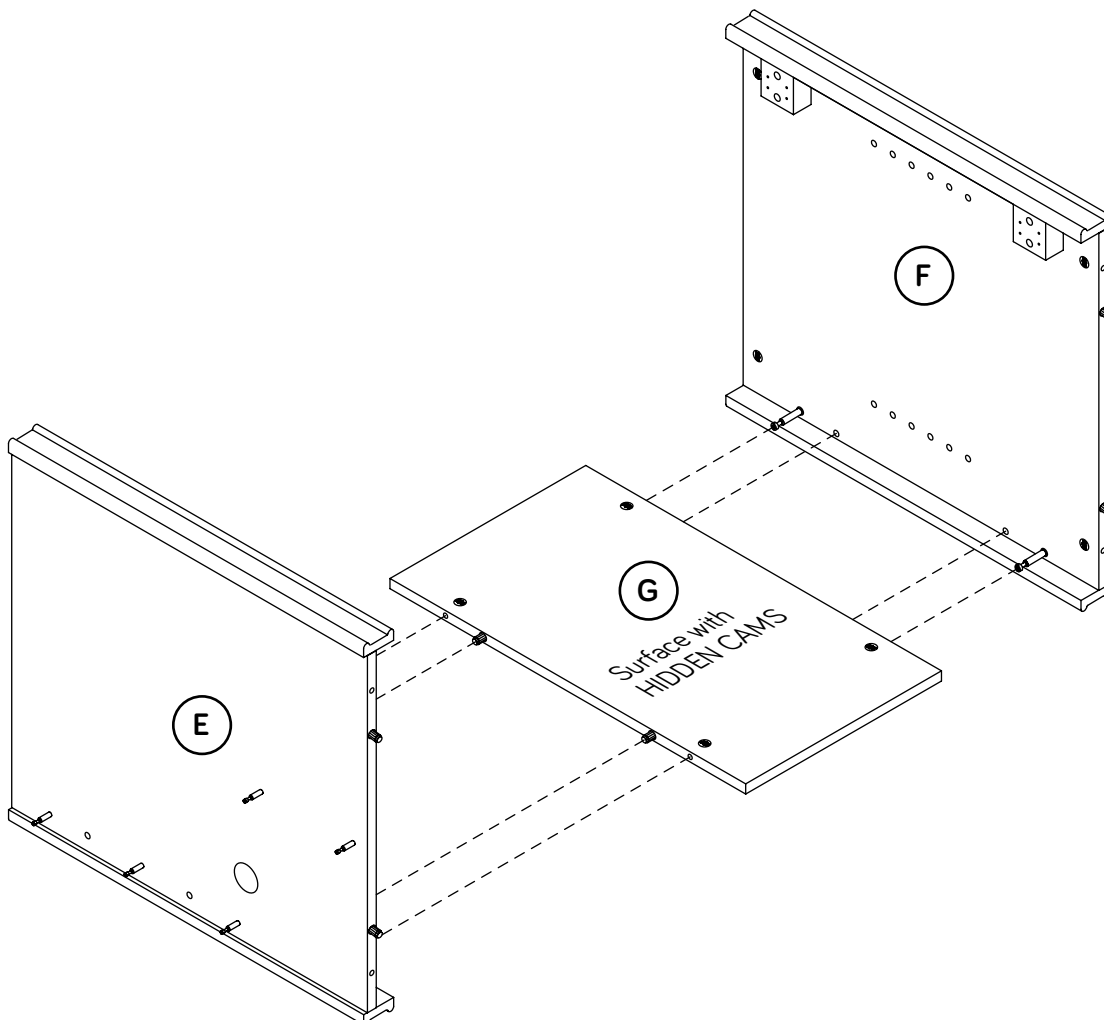
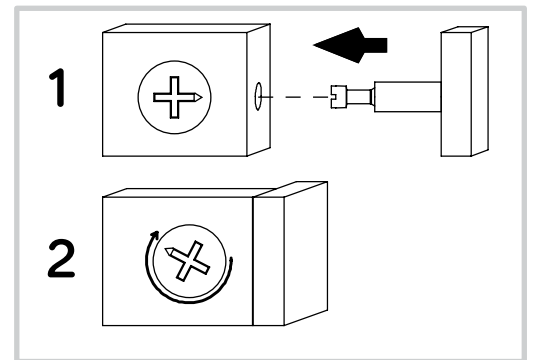
- Fasten a BACK (G) and the BRACE (O) to the LEFT UPRIGHT (D). Tighten three HIDDEN CAMS.
- NOTE:** Be sure the WOOD DOWELS in the BACK and BRACE insert into the holes in the LEFT UPRIGHT.
- Fasten the LEFT END (C) to the BACK (G) and BRACE (O). Tighten three HIDDEN CAMS.
- NOTE:** Be sure the WOOD DOWELS in the BACK and BRACE insert into the holes in the LEFT END.



Step 6



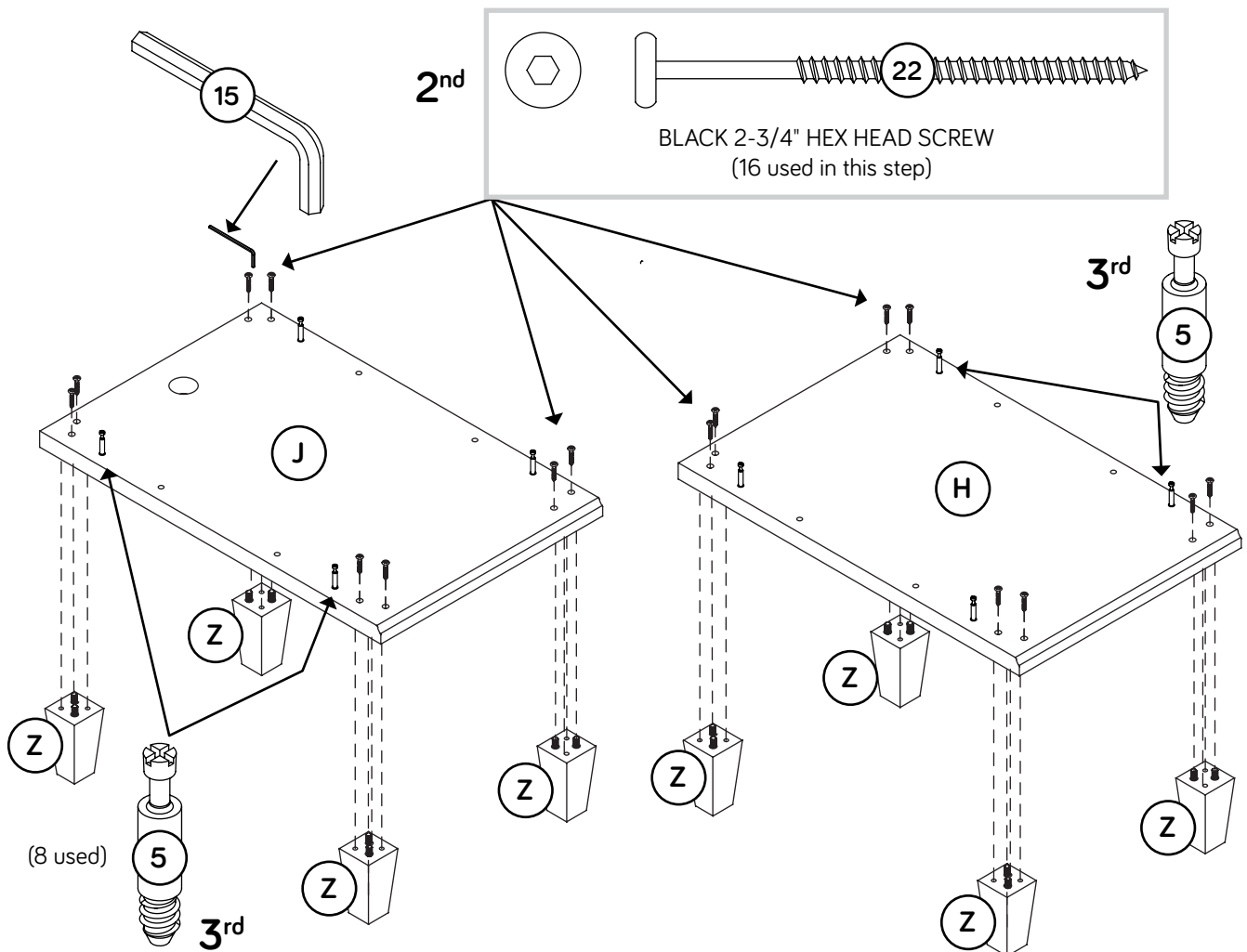
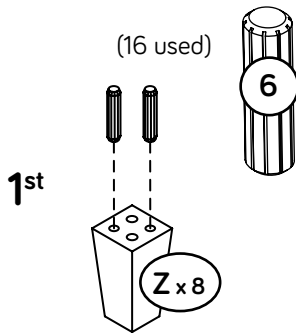
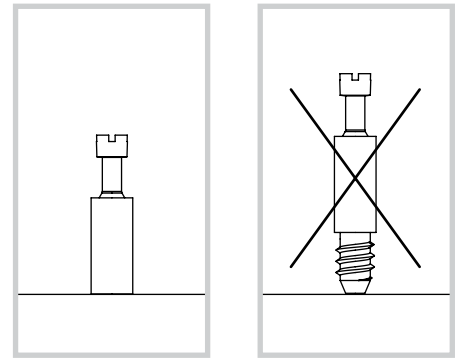
- ⚡ Fasten the remaining BACK (G) to the RIGHT END (F). Tighten two HIDDEN CAMS.
- ⚡ **NOTE:** Be sure the WOOD DOWELS in the BACK insert into the holes in the RIGHT END.
- ⚡ Fasten the RIGHT UPRIGHT (E) to the BACK (G). Tighten two HIDDEN CAMS.
- ⚡ **NOTE:** Be sure the WOOD DOWELS in the BACK insert into the holes in the RIGHT UPRIGHT.



Step 7



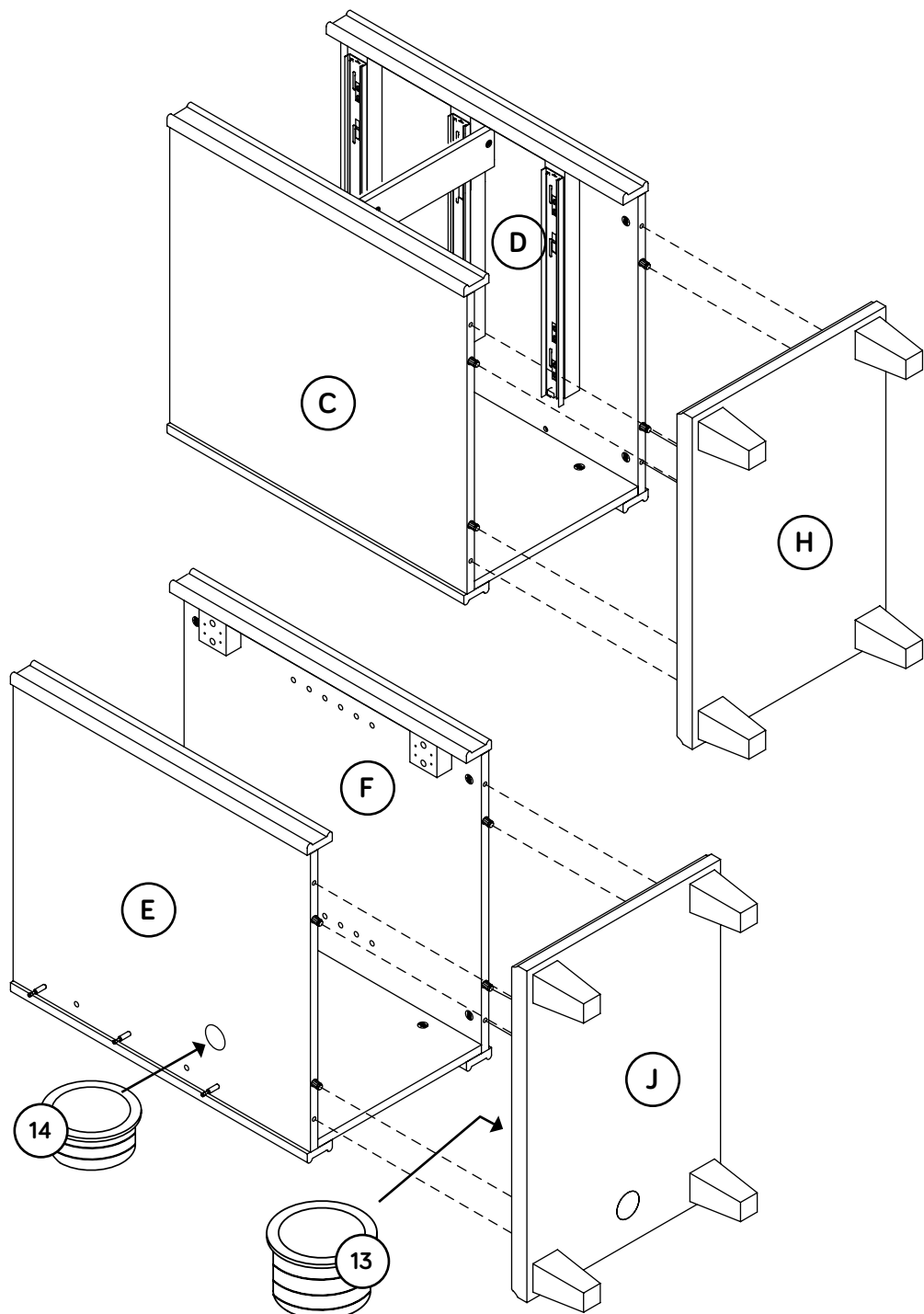
1. Insert two LARGE WOOD DOWELS (6) into a FOOT (Z) and repeat this for the remaining seven FEET (Z).
2. Fasten the FEET (Z) to the BOTTOMS (H and J). Turn sixteen BLACK 2-3/4" HEX HEAD SCREWS (22) with the L-WRENCH (16).
3. Turn eight CAM SCREWS (5) into the BOTTOMS (H and J).



Step 8



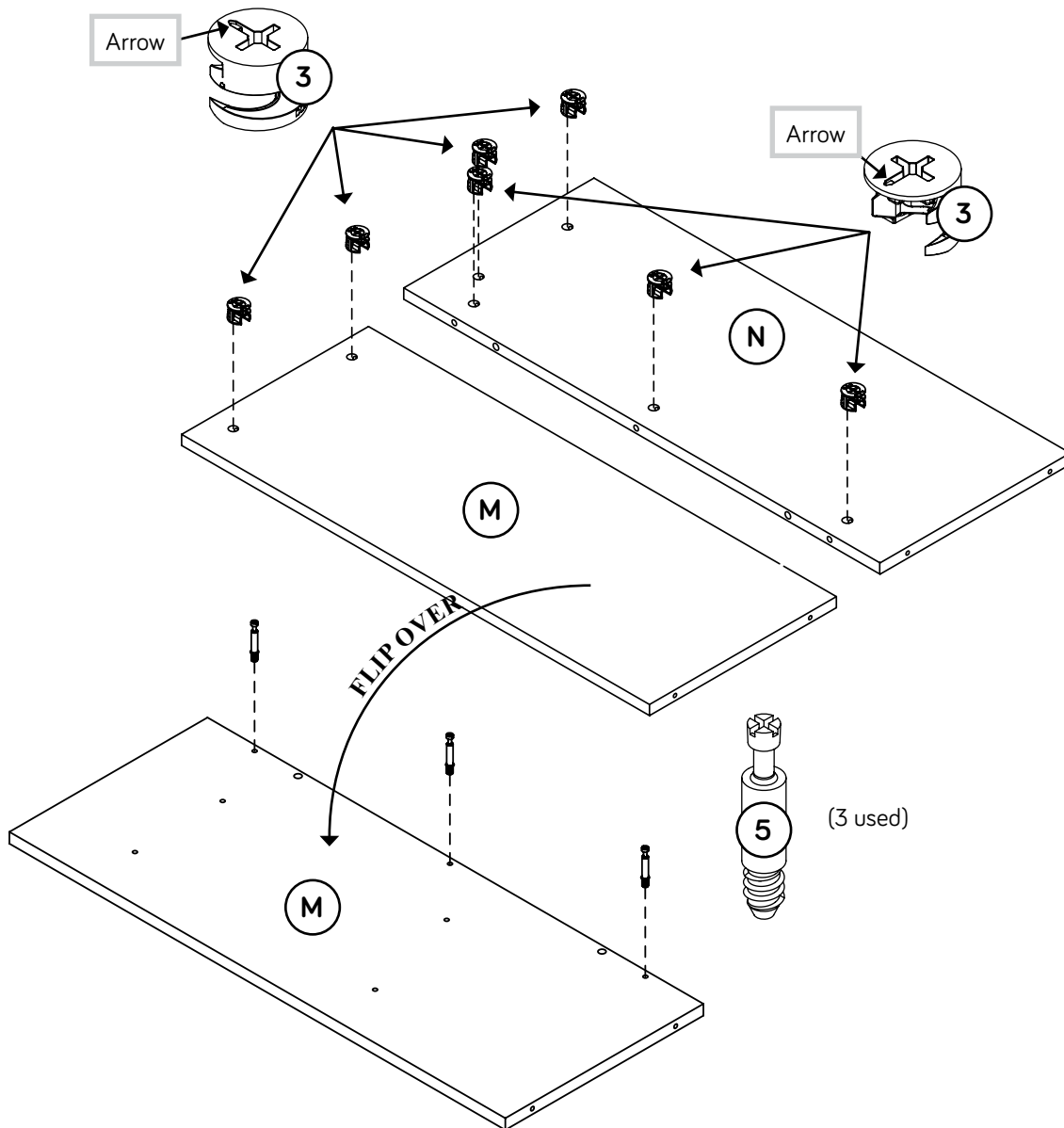
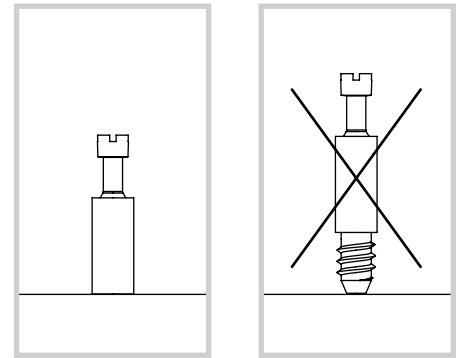
- ✚ Fasten the LEFT BOTTOM (H) to the LEFT END (C) and LEFT UPRIGHT (D). Tighten four HIDDEN CAMS.
- ✚ NOTE: Be sure the WOOD DOWELS in the LEFT END and LEFT UPRIGHT insert into the holes in the LEFT BOTTOM.
- ✚ Fasten the RIGHT BOTTOM (J) to the RIGHT UPRIGHT (E) and RIGHT END (F). Tighten four HIDDEN CAMS.
- ✚ NOTE: Be sure the WOOD DOWELS in the RIGHT END and RIGHT UPRIGHT insert into the holes in the RIGHT BOTTOM.
- ✚ Insert a GROMMET (14) into the large hole in the RIGHT UPRIGHT (E) and LARGE GROMMET (13) into the large hole in the RIGHT BOTTOM (J)



Step 9

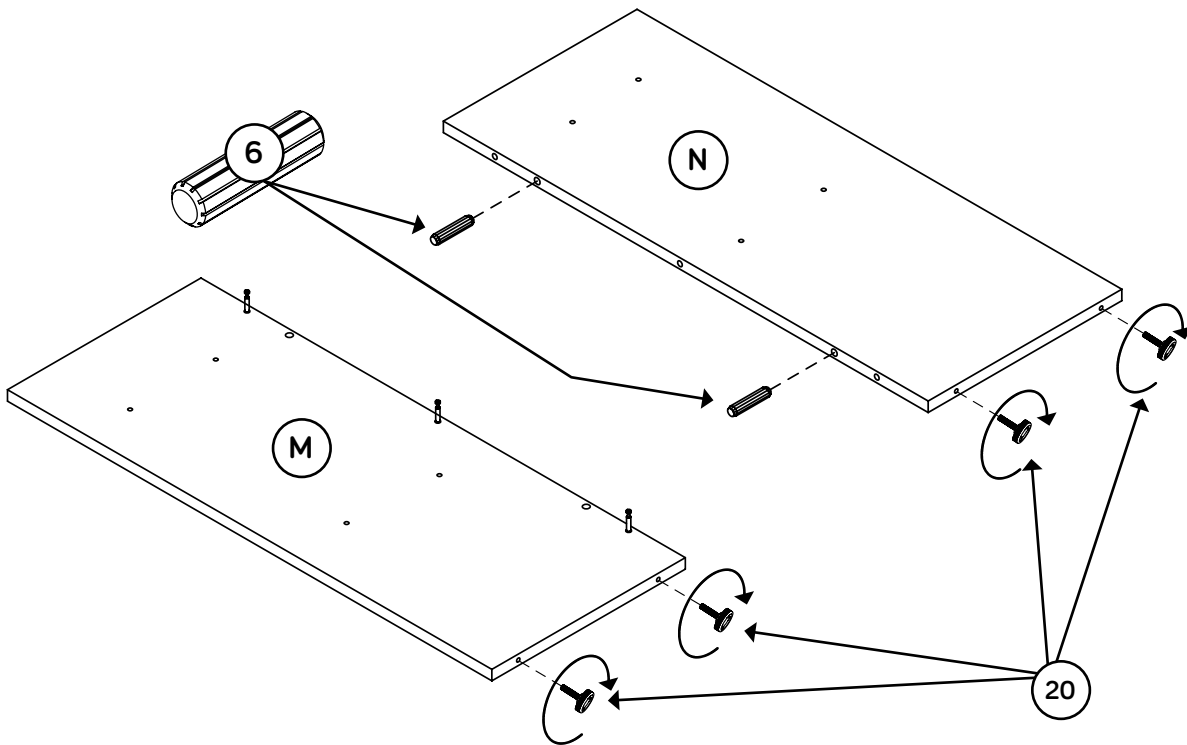


- ✚ Push seven HIDDEN CAMS (3) into the BACK LEGS (M and N).
- ✚ **NOTE:** The arrow in the HIDDEN CAM must point toward the hole in the edge of the board.
- ✚ Flip the LEFT BACK LEG (M) over. Turn three CAM SCREWS (5) into the LEFT BACK LEG (M).



Step 10

- ✚ Insert two WOOD DOWELS (6) into the long edge of the RIGHT BACK LEG (N).
- ✚ Turn the ADJUSTABLE GLIDES (20) completely into the threads in the short edges of the BACK LEGS (M and N).
- ✚ The DESK can be adjusted up or down with the ADJUSTABLE GLIDES in the last step.

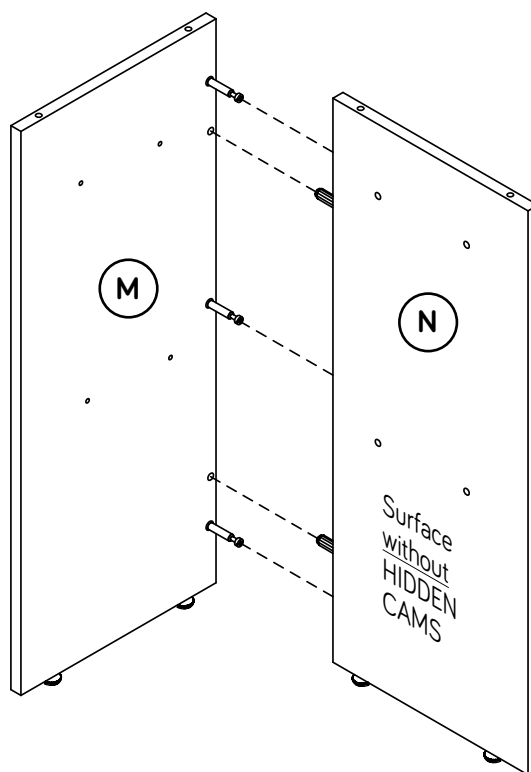
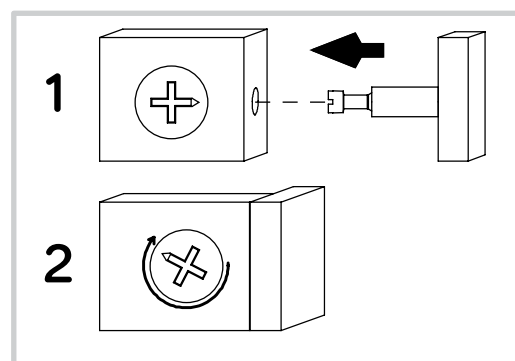


Step 11



⚡ Fasten the RIGHT BACK LEG (N) to the LEFT BACK LEG (M).
Tighten three HIDDEN CAMS.

⚡ **NOTE:** Be sure the WOOD DOWELS in the RIGHT BACK LEG insert into the holes in the LEFT BACK LEG.

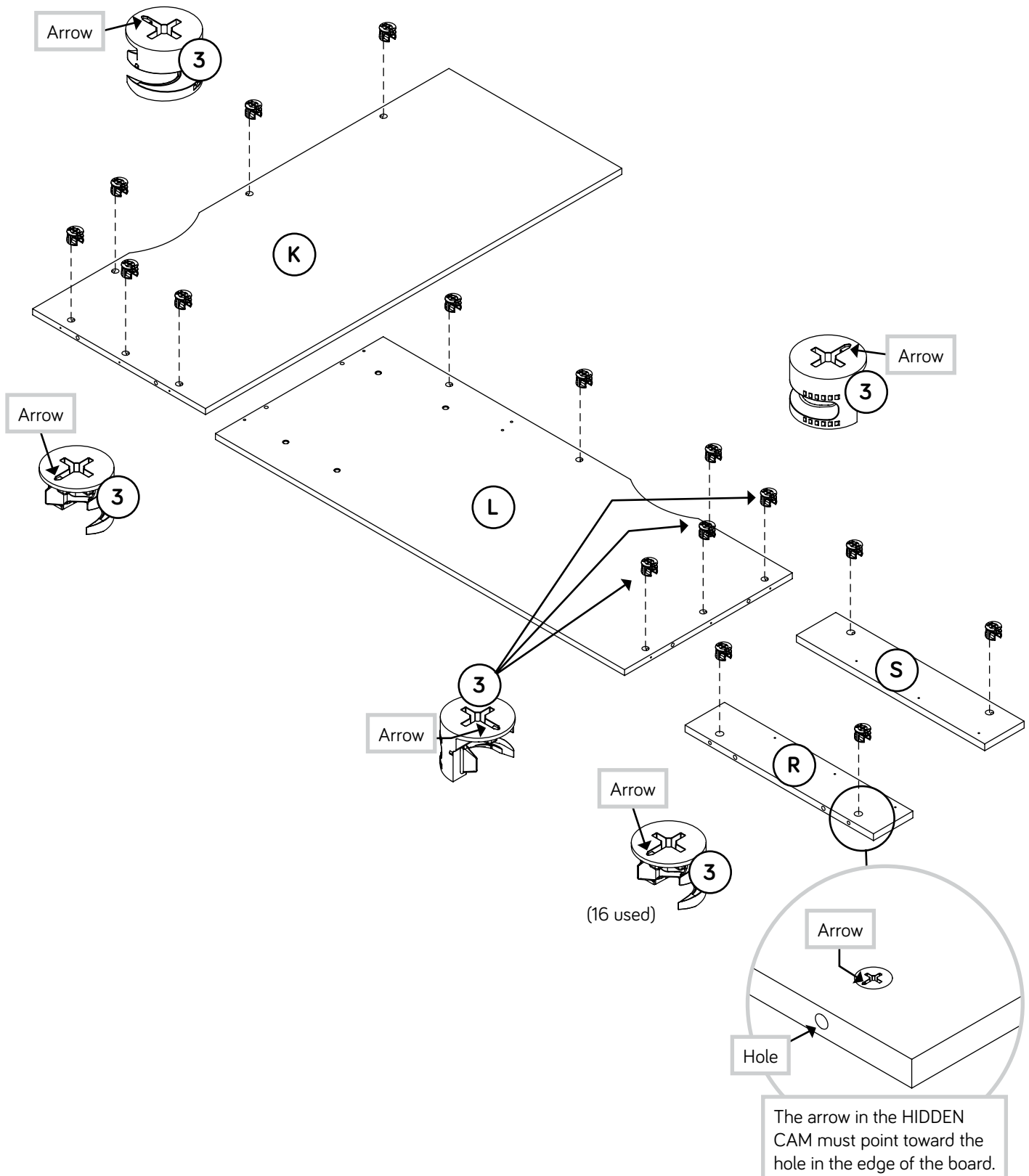


Step 12



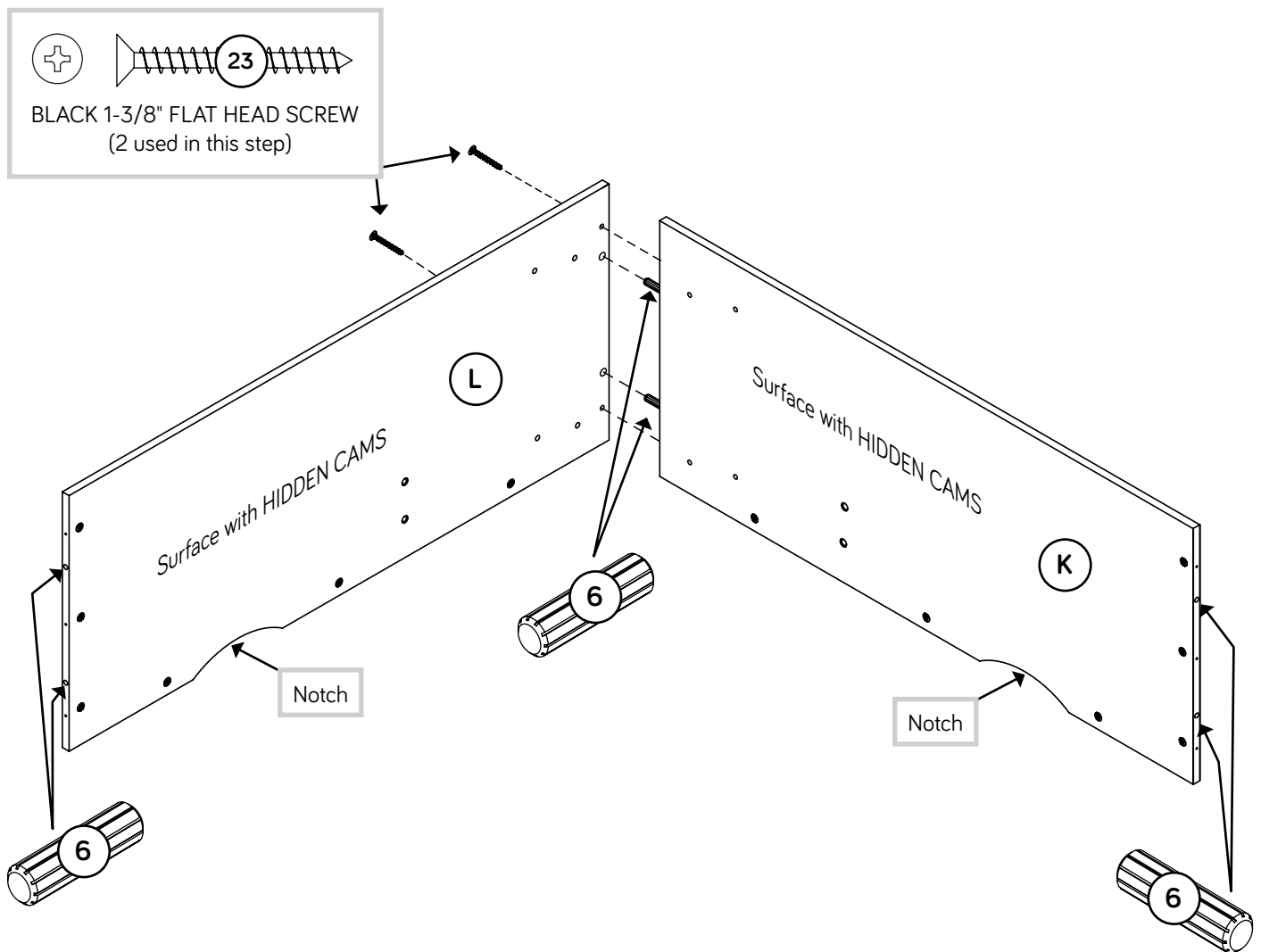
Push sixteen HIDDEN CAMS (3) into the MODESTY PANELS (K and L) and KEYBOARD UPRIGHTS (R and S).

NOTE: The arrow in the HIDDEN CAM must point toward the hole in the edge of the board.



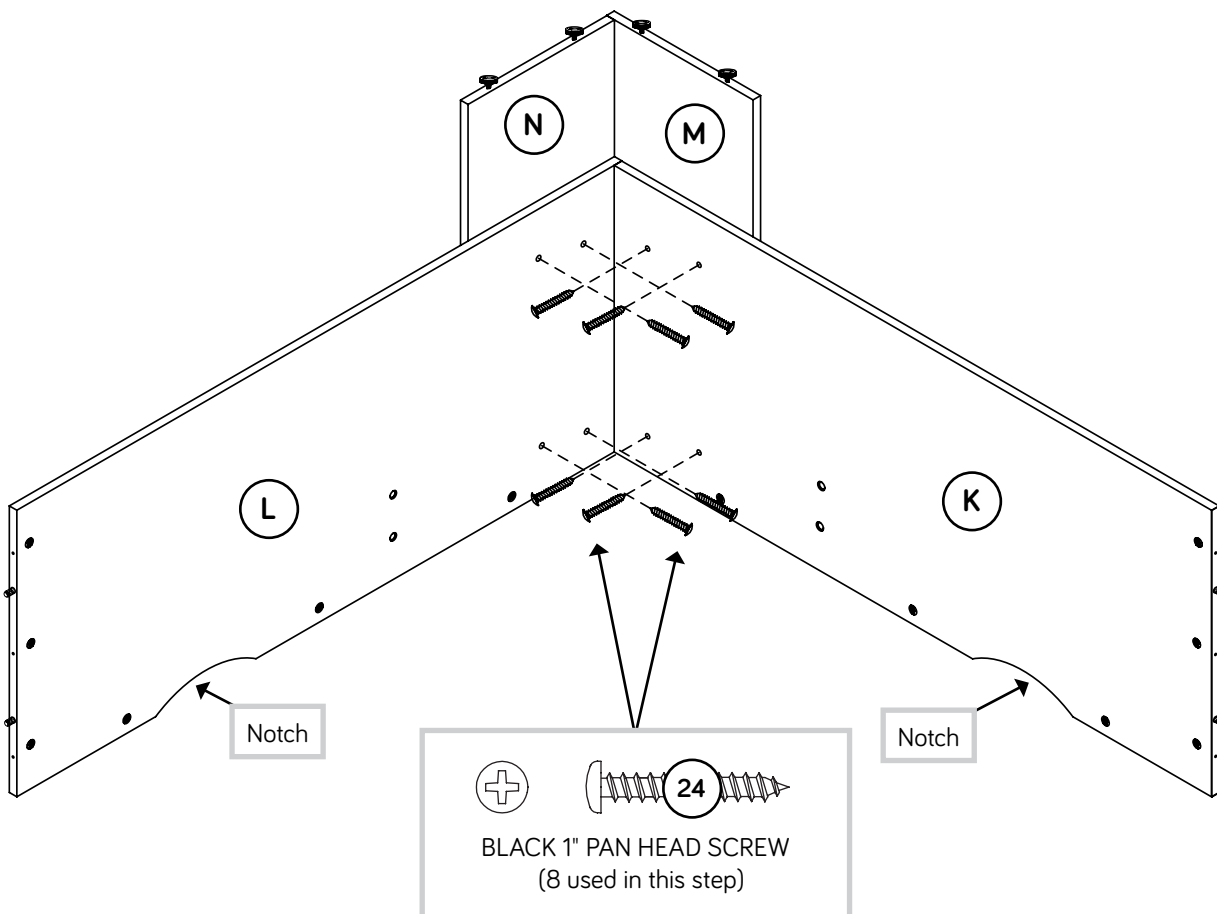
Step 13

- ✚ Insert six LARGE WOOD DOWELS (6) into the holes in the short edges of the MODESTY PANELS (K and L).
- ✚ Fasten the RIGHT MODESTY PANEL (L) to the LEFT MODESTY PANEL (K). Use two BLACK 1-3/8" FLAT HEAD SCREWS (23).
- ✚ **NOTE:** Be sure the LARGE WOOD DOWELS in the LEFT MODESTY PANEL inserts into the holes in the RIGHT MODESTY PANEL.



Step 14

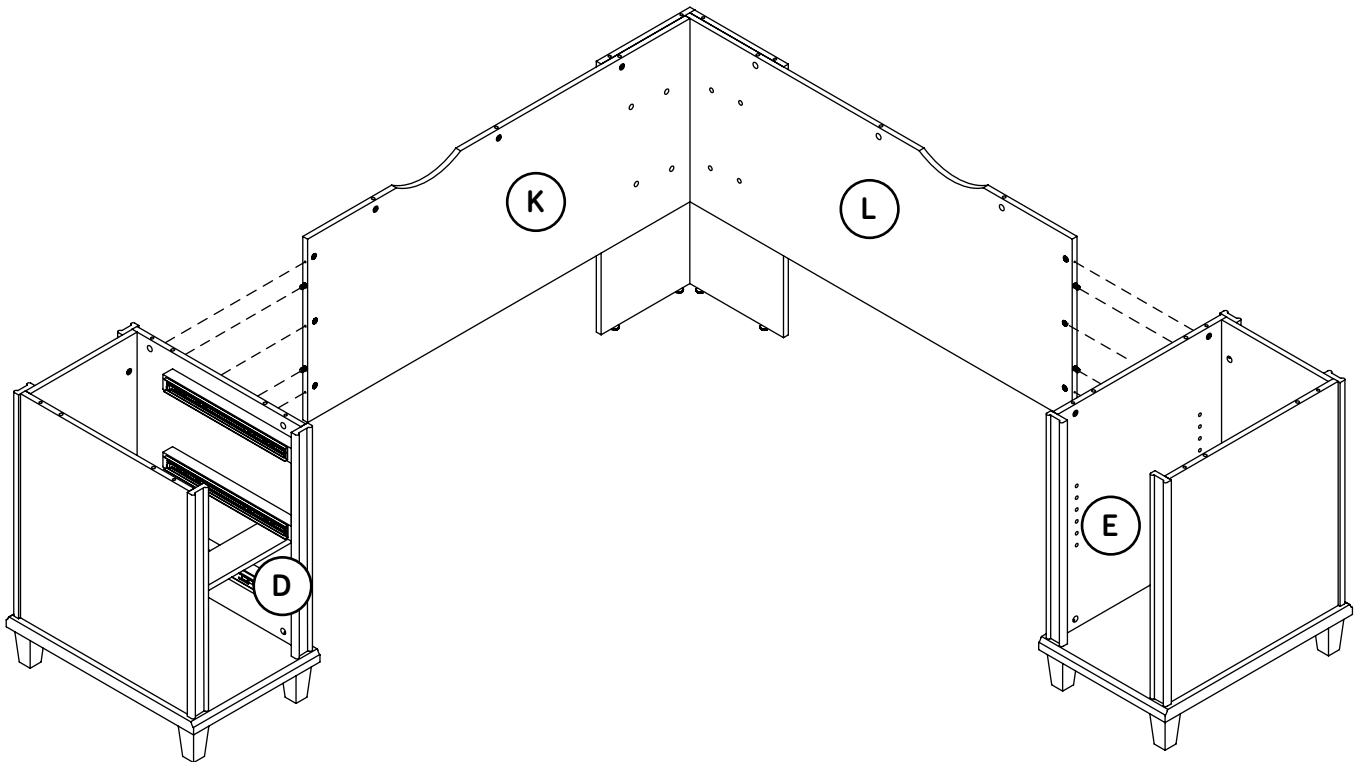
- ✚ You will need another person's help to assemble steps 14 and 15.
- ✚ Fasten the MODESTY PANELS (L and K) to the BACK LEGS (M and N). Use eight BLACK 1" PAN HEAD SCREWS (24).



Step 15



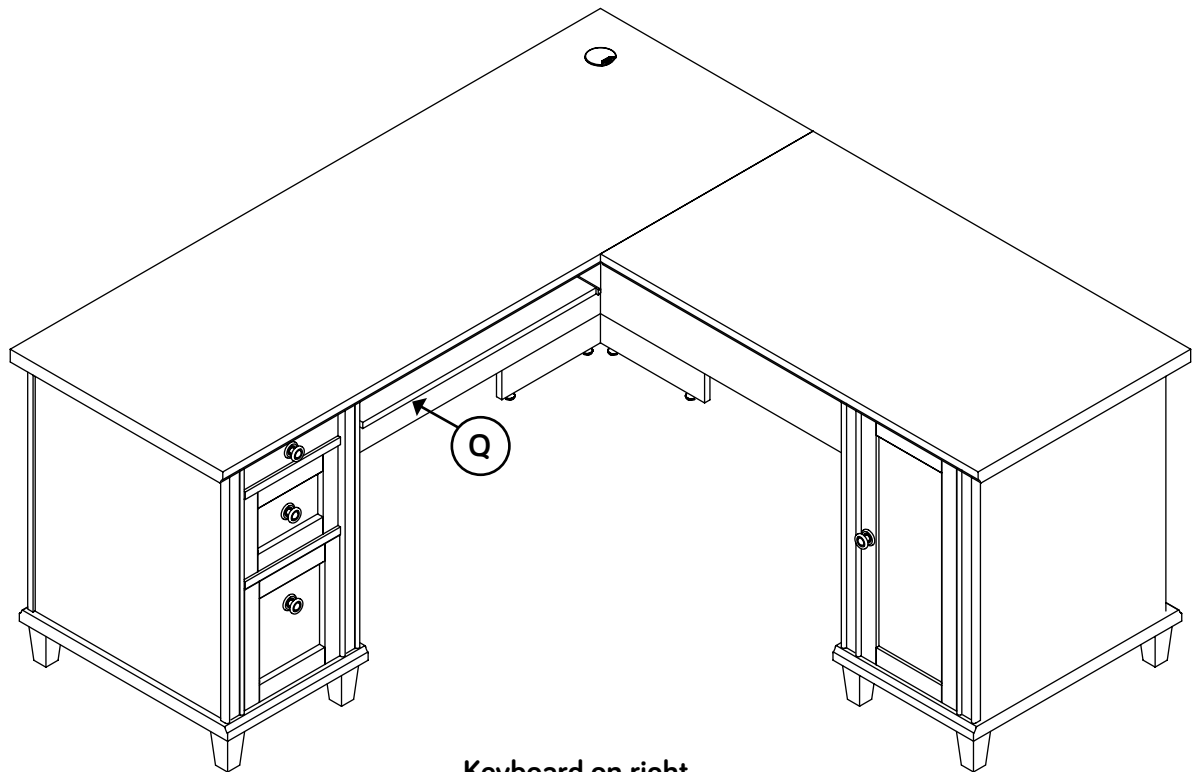
- ✚ Fasten the RIGHT UPRIGHT (E) to the RIGHT MODESTY PANEL (L).
Tighten three HIDDEN CAMS.
- ✚ Fasten the LEFT UPRIGHT (D) to the LEFT MODESTY PANEL (K).
Tighten three HIDDEN CAMS.
- ✚ **NOTE:** Be sure the LARGE WOOD DOWELS in the MODESTY PANELS insert into the holes in the UPRIGHTS.



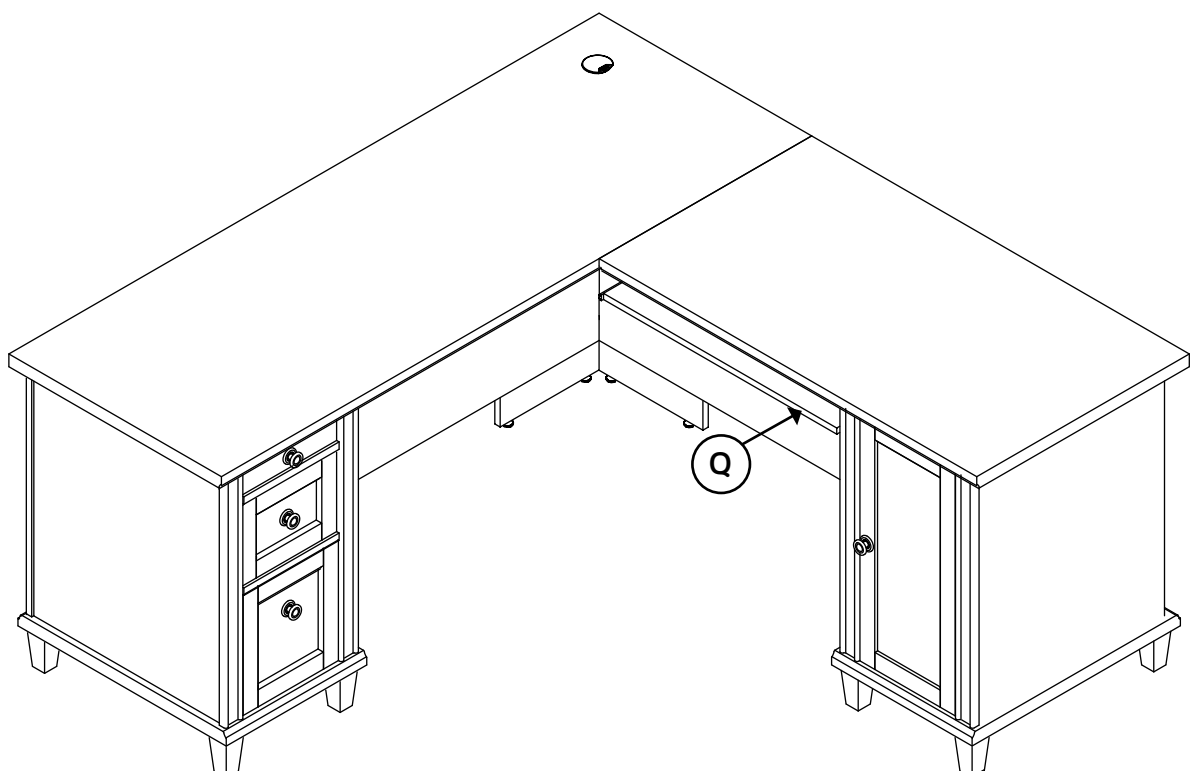
Step 16

🔩 You have the option to assemble your KEYBOARD SHELF (Q) to the left or right side of your L-Desk as shown.

Keyboard on left



Keyboard on right

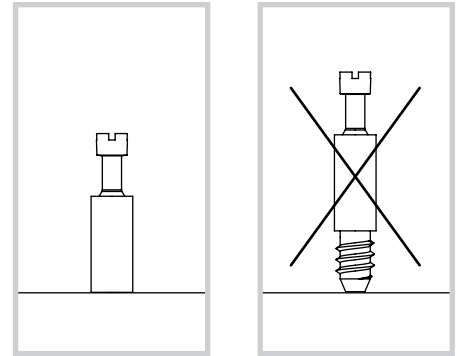


Step 17

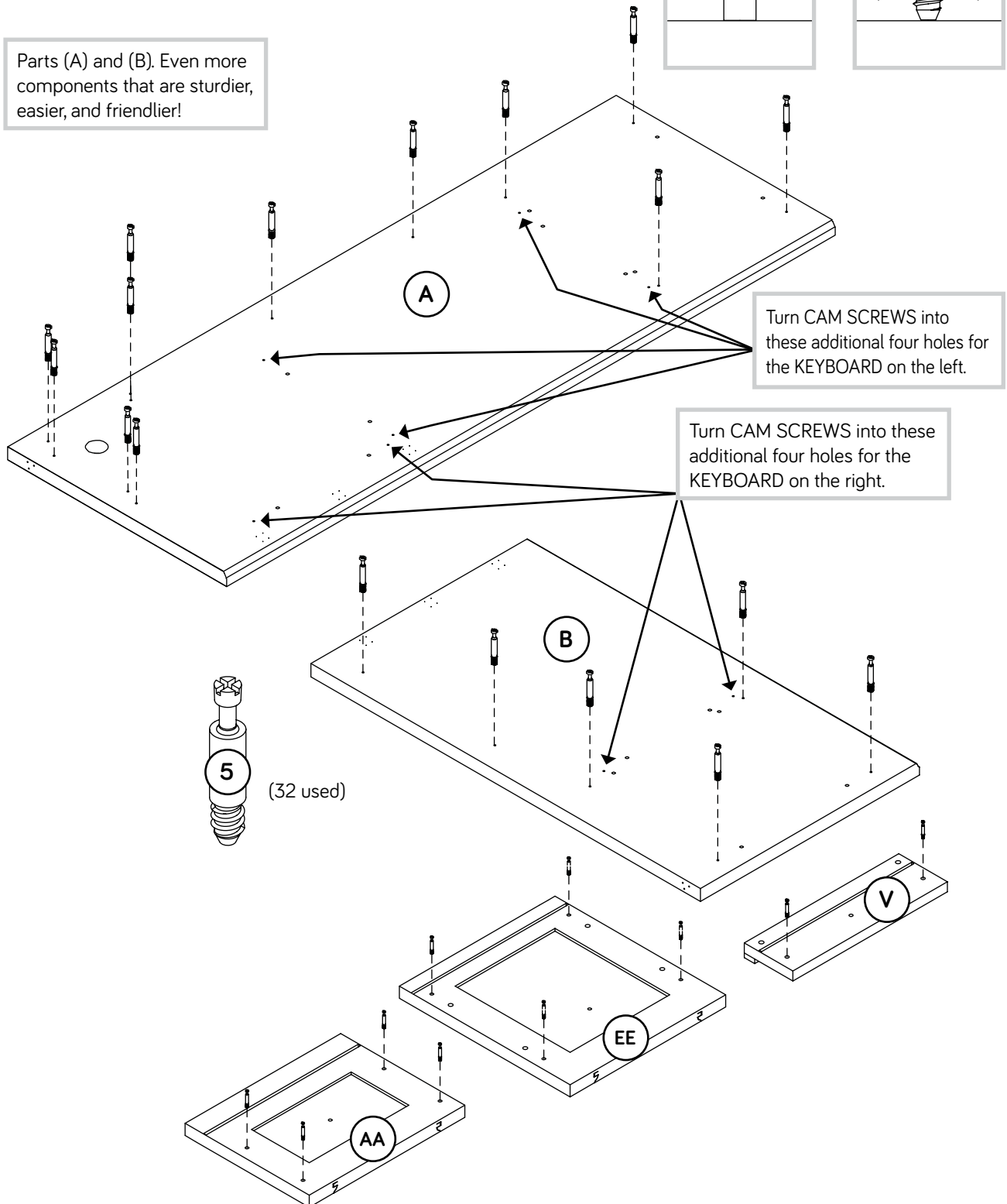


Turn thirty-two CAM SCREWS (5) into the TOPS (A and B), SMALL DRAWER FRONT (V), DRAWER FRONT (AA), and LARGE DRAWER FRONT (EE). Use the exact holes shown.

NOTE: The callouts below will instruct you to use specific holes for the KEYBOARD to the left or the right of your L-Desk.

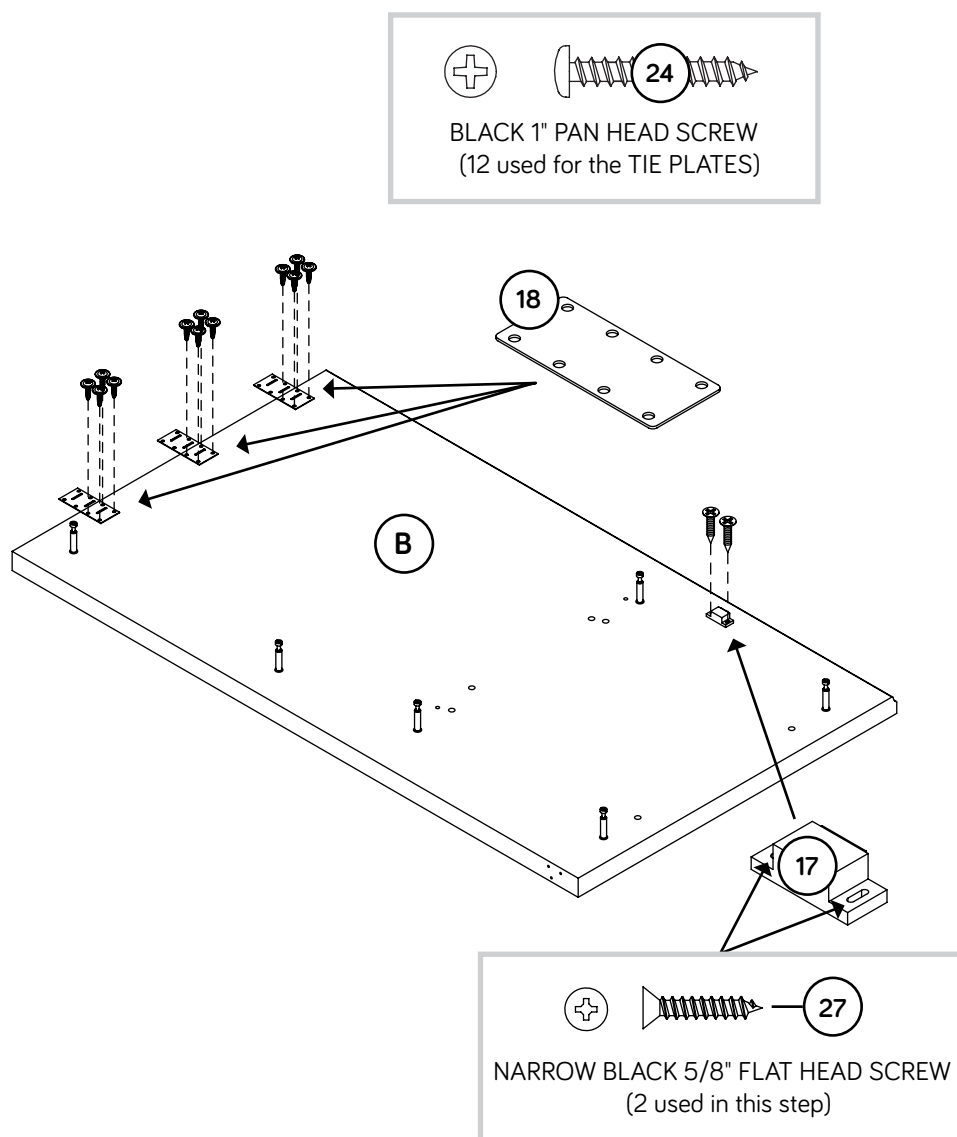


Parts (A) and (B). Even more components that are sturdier, easier, and friendlier!



Step 18

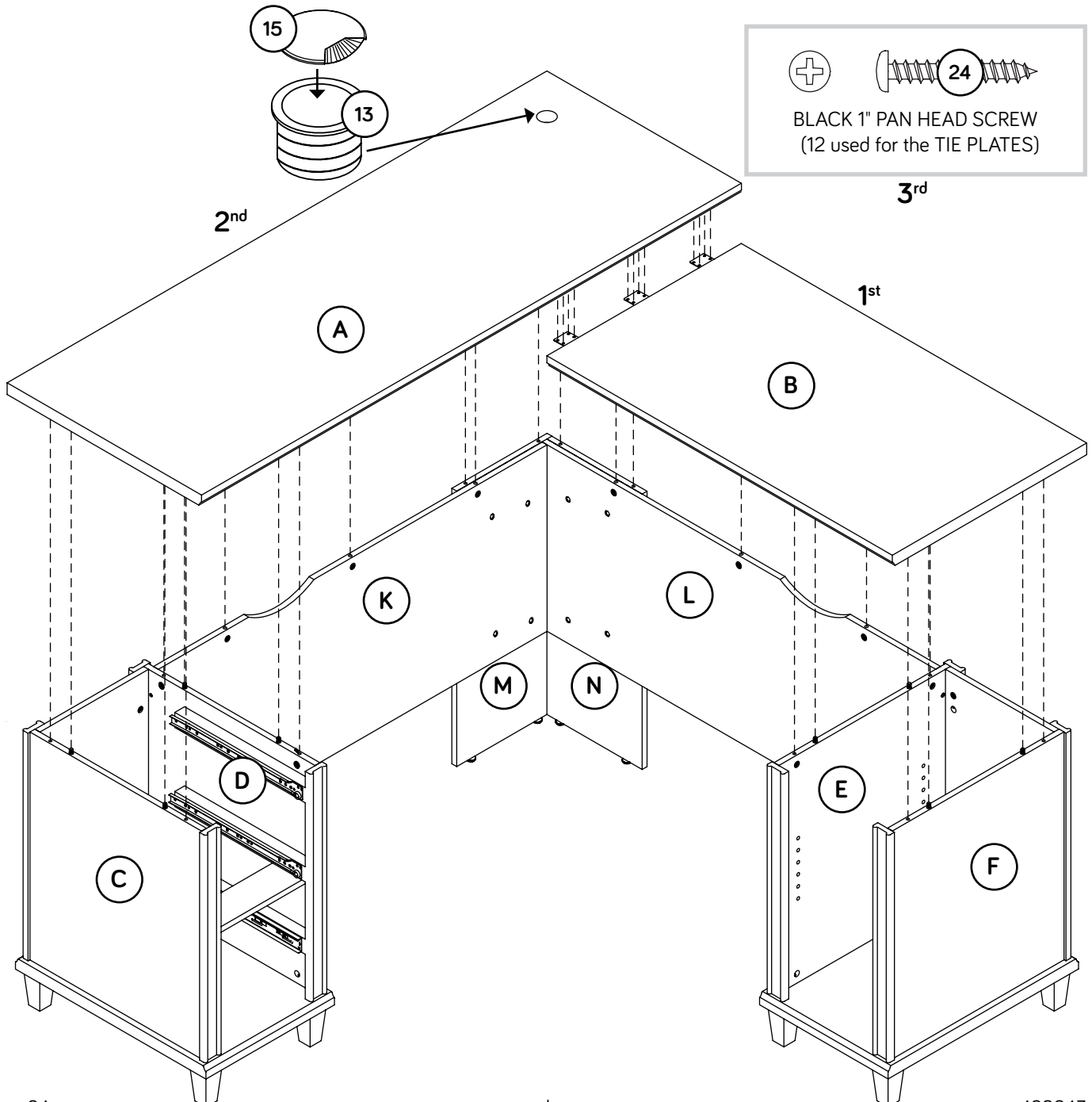
- Fasten three TIE PLATES (18) to the TOPS (A and B). Use twelve BLACK 1" PAN HEAD SCREWS (24).
- Fasten the MAGNETIC CATCH (17) to the RIGHT TOP (B). Use two NARROW BLACK 5/8" FLAT HEAD SCREWS (27).



Step 19

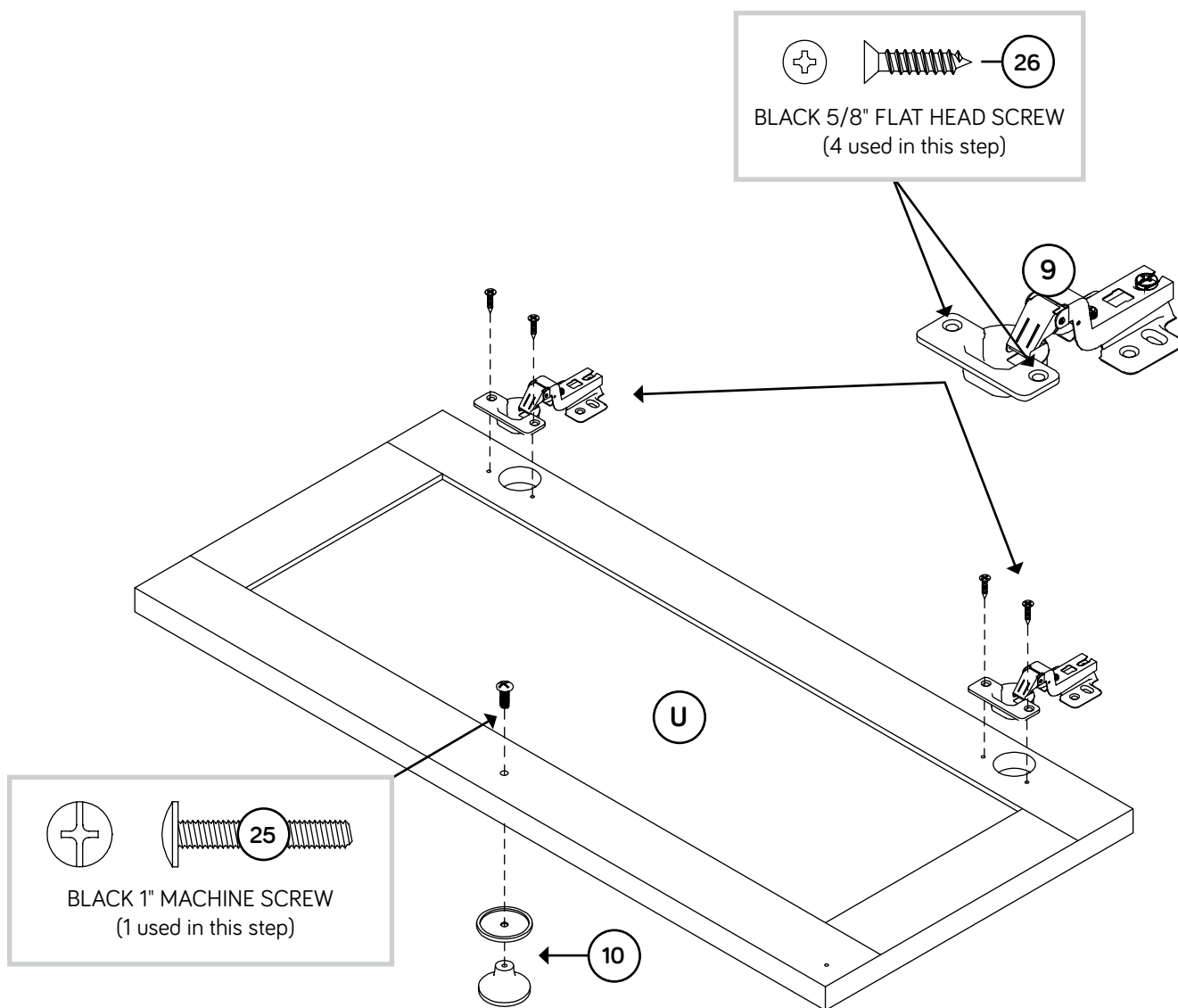


- ✚ You will need additional help in this step.
- ✚ 1. Fasten the RIGHT TOP (B) to the RIGHT END (F), RIGHT UPRIGHT (E), RIGHT MODESTY PANEL (L), and RIGHT BACK LEG (N). Tighten seven HIDDEN CAMS.
- ✚ 2. Fasten the LEFT TOP (A) to the LEFT END (C), LEFT UPRIGHT (D), LEFT MODESTY PANEL (K) and LEFT BACK LEG (M). Tighten eight HIDDEN CAMS.
- ✚ **NOTE:** Be sure the LARGE WOOD DOWELS in the UPRIGHTS, ENDS, MODESTY PANELS and BACK LEGS insert into the TOPS.
- ✚ 3. Fasten the LEFT TOP (A) to the RIGHT TOP (B). Use twelve BLACK 1" PAN HEAD SCREWS (24) through the TIE PLATES and into the LEFT TOP.
- ✚ Push a LARGE GROMMET (13) and GROMMET CAP (15) into the large hole in the LEFT TOP (A).



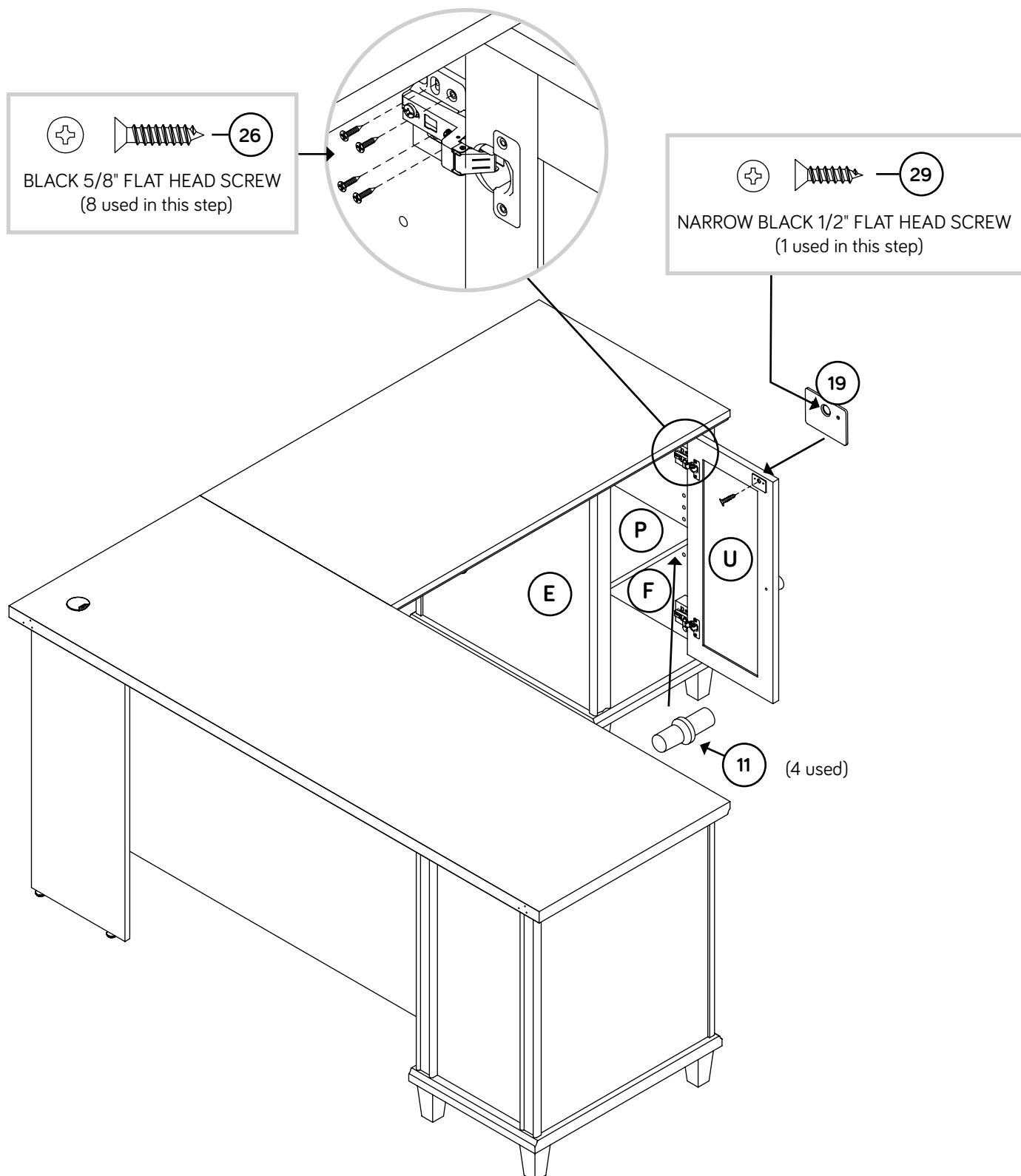
Step 20

- Fasten the HINGES (9) to the DOOR (U). Use four BLACK 5/8" FLAT HEAD SCREWS (26).
- Fasten a KNOB SET (10) to the DOOR (U). Use a BLACK 1" MACHINE SCREW (25).



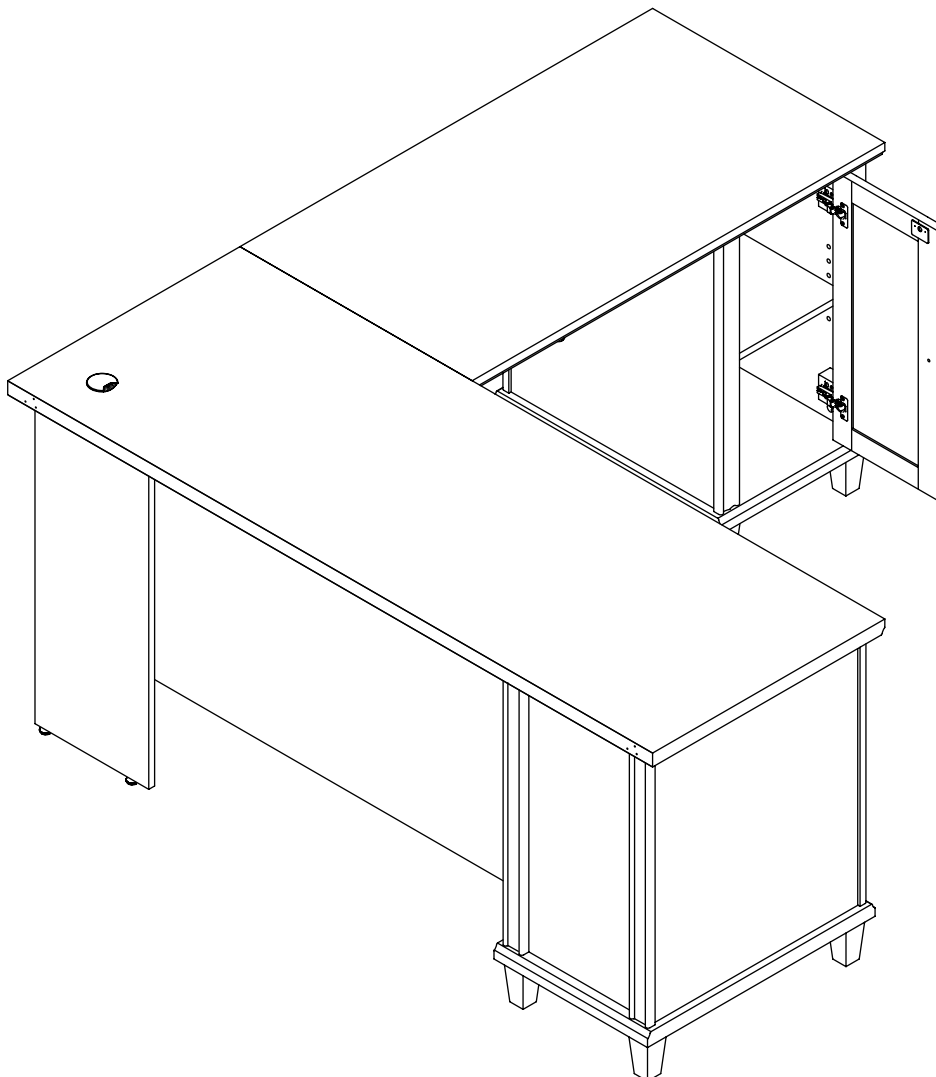
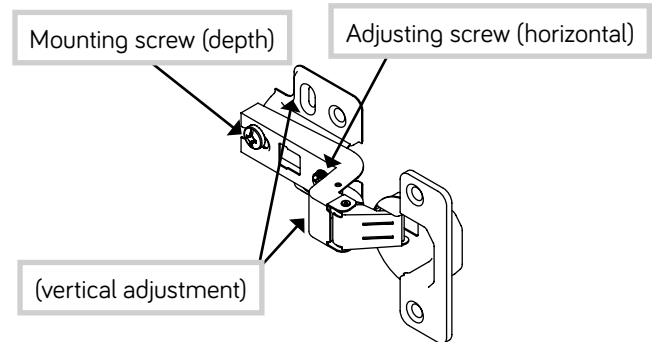
Step 21

- ✚ Insert the METAL PINS into the hole locations of your choice in the RIGHT END (F) and RIGHT UPRIGHT (E). Set the ADJUSTABLE SHELF (P) onto the METAL PINS.
- ✚ Fasten the STRIKE PLATE (19) to the DOOR (U). Use a NARROW BLACK 1/2" FLAT HEAD SCREW (29).
- ✚ Fasten the DOOR (U) to the RIGHT END (F). Use eight BLACK 5/8" FLAT HEAD SCREWS (26).



Step 22

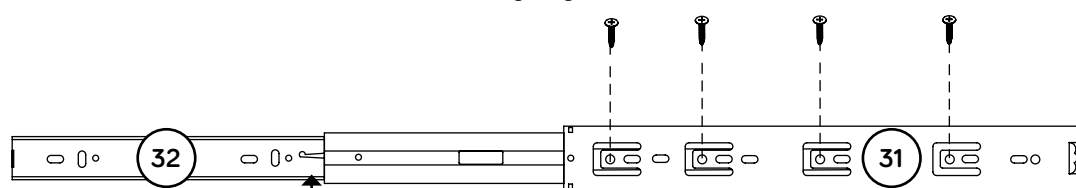
- ✚ Refer to the enlarged diagram to identify the parts on the HINGES.
- ✚ The DOORS may need some adjustments. Follow the text below to make needed adjustments.
- ✚ DOOR ADJUSTMENTS:
To adjust the DOORS from side to side (horizontal), turn the adjusting screw in or out.
- ✚ To adjust the DOORS up and down (vertical), loosen four vertical adjustment screws. Move the DOORS up or down to the desired location. Tighten the screws after making adjustments.
- ✚ To adjust the DOORS in or out (depth), loosen the mounting screw one turn and move the DOORS in or out, as needed. Tighten the mounting screw after making adjustments.



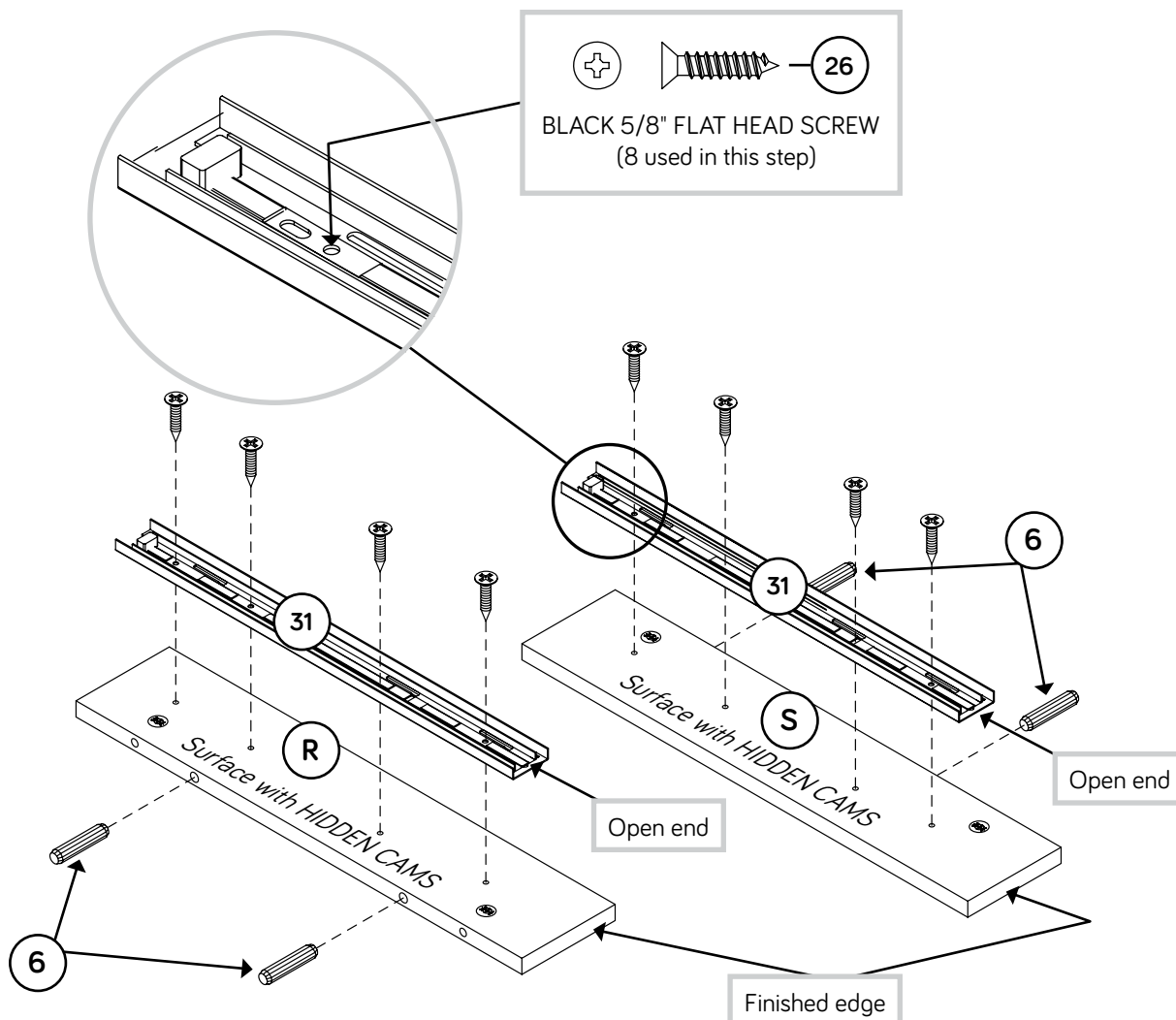
Step 23



- ✦ Separate the WIDE EXTENSION SLIDES (32) from the WIDE EXTENSION RAILS (31) as shown in the upper diagram below. Be prepared, the parts are greasy.
- ✦ Fasten the WIDE EXTENSION RAILS (31) to the KEYBOARD UPRIGHTS (R and S). Use six BLACK 5/8" FLAT HEAD SCREWS (26).
- ✦ **NOTE:** For each WIDE EXTENSION RAIL, turn a SCREW into the hole shown in the enlarged diagram. Then, slide the inner cartridge of the EXTENSION RAIL in to find the other holes that lines up with the holes in the UPRIGHTS. Turn a SCREW into these holes.
- ✦ **NOTE:** The WIDE EXTENSION SLIDES will be used later for the KEYBOARD SHELF.
- ✦ Insert four LARGE WOOD DOWELS (6) into the long edges of the KEYBOARD UPRIGHTS (R and S).



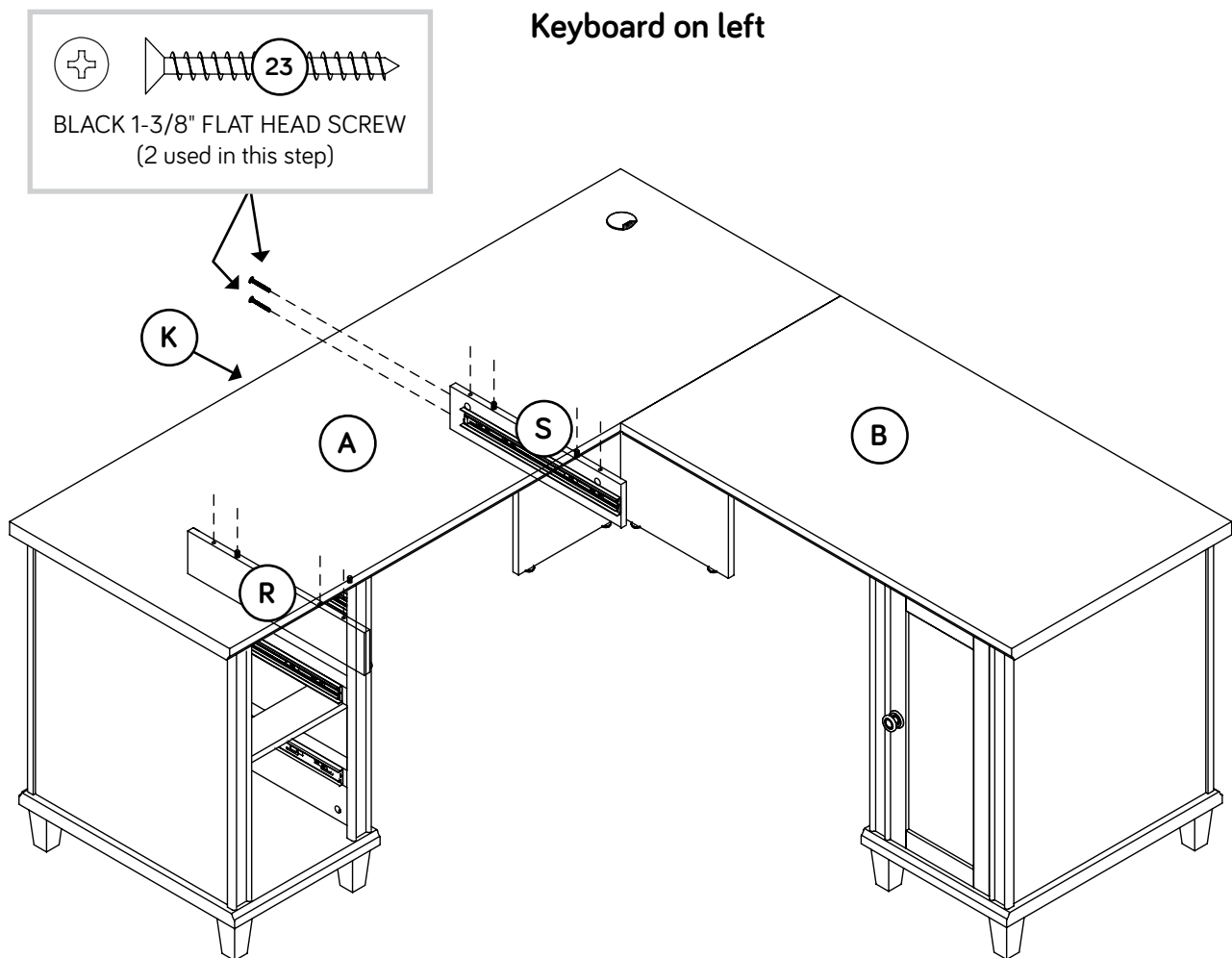
Push the release lever in and pull the SLIDE from the RAIL.



Step 24



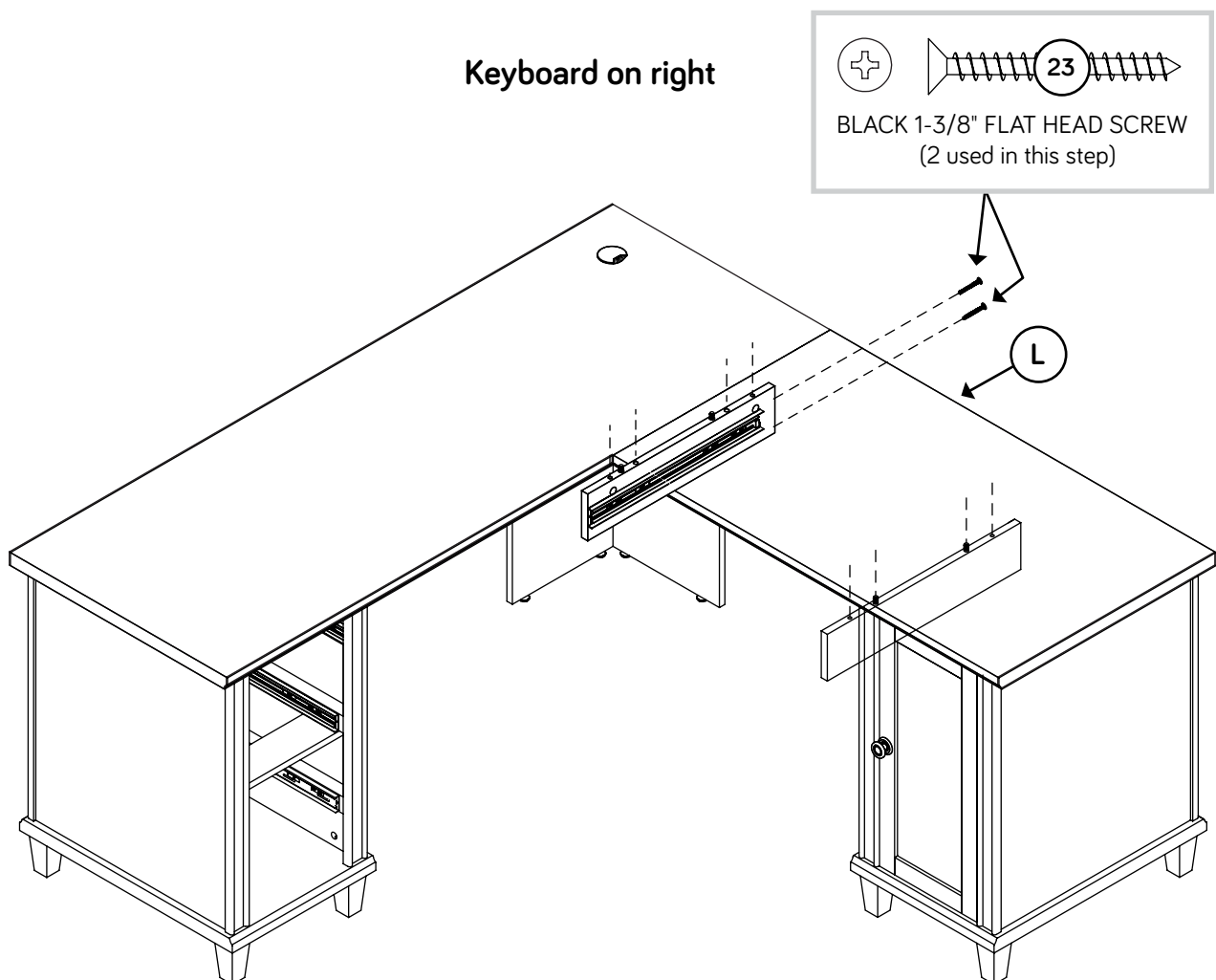
- ✦ Go to step 25 if you chose to locate your KEYBOARD UPRIGHT to the right of your L-Desk.
- ✦ Fasten the KEYBOARD UPRIGHTS (R and S) to the LEFT TOP (A). Tighten four HIDDEN CAMS.
- ✦ **NOTE:** Be sure the LARGE WOOD DOWELS in the UPRIGHTS insert into the holes in the LEFT TOP (A). The EXTENSION RAILS must be facing each other.
- ✦ Fasten the RIGHT KEYBOARD UPRIGHT (S) to the LEFT MODESTY PANEL (K). Use two BLACK 1-3/8" FLAT HEAD SCREWS (23).
- ✦ Go to step 26.



Step 25



- ✚ Fasten the KEYBOARD UPRIGHTS (R and S) to the TOPS (A and B). Tighten four HIDDEN CAMS.
- ✚ **NOTE:** Be sure the LARGE WOOD DOWELS in the UPRIGHTS insert into the holes in the TOPS. The EXTENSION RAILS must be facing each other.
- ✚ Fasten the LEFT KEYBOARD UPRIGHT (R) to the RIGHT MODESTY PANEL (L). Use two BLACK 1-3/8" FLAT HEAD SCREWS (23).

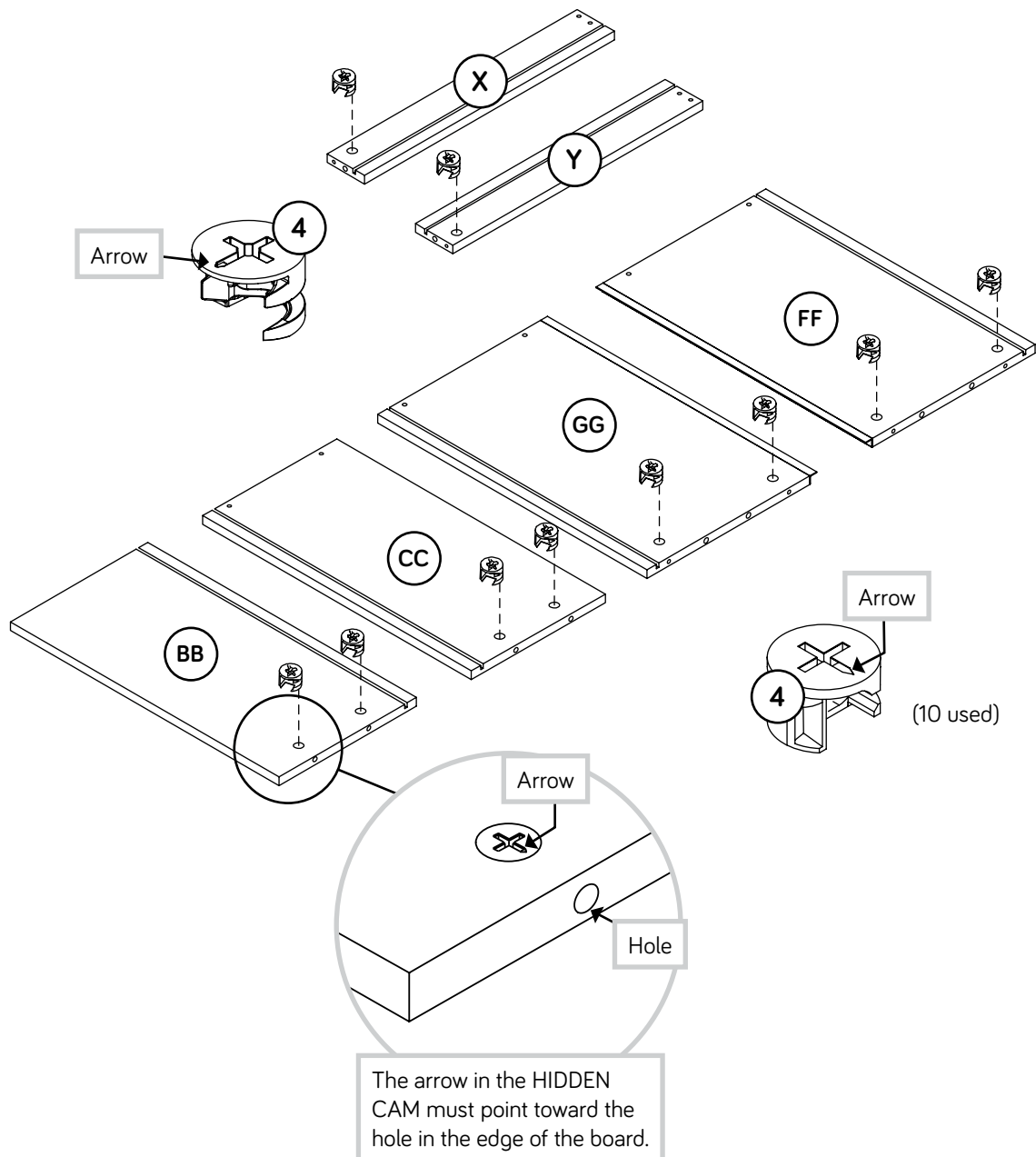


Step 26



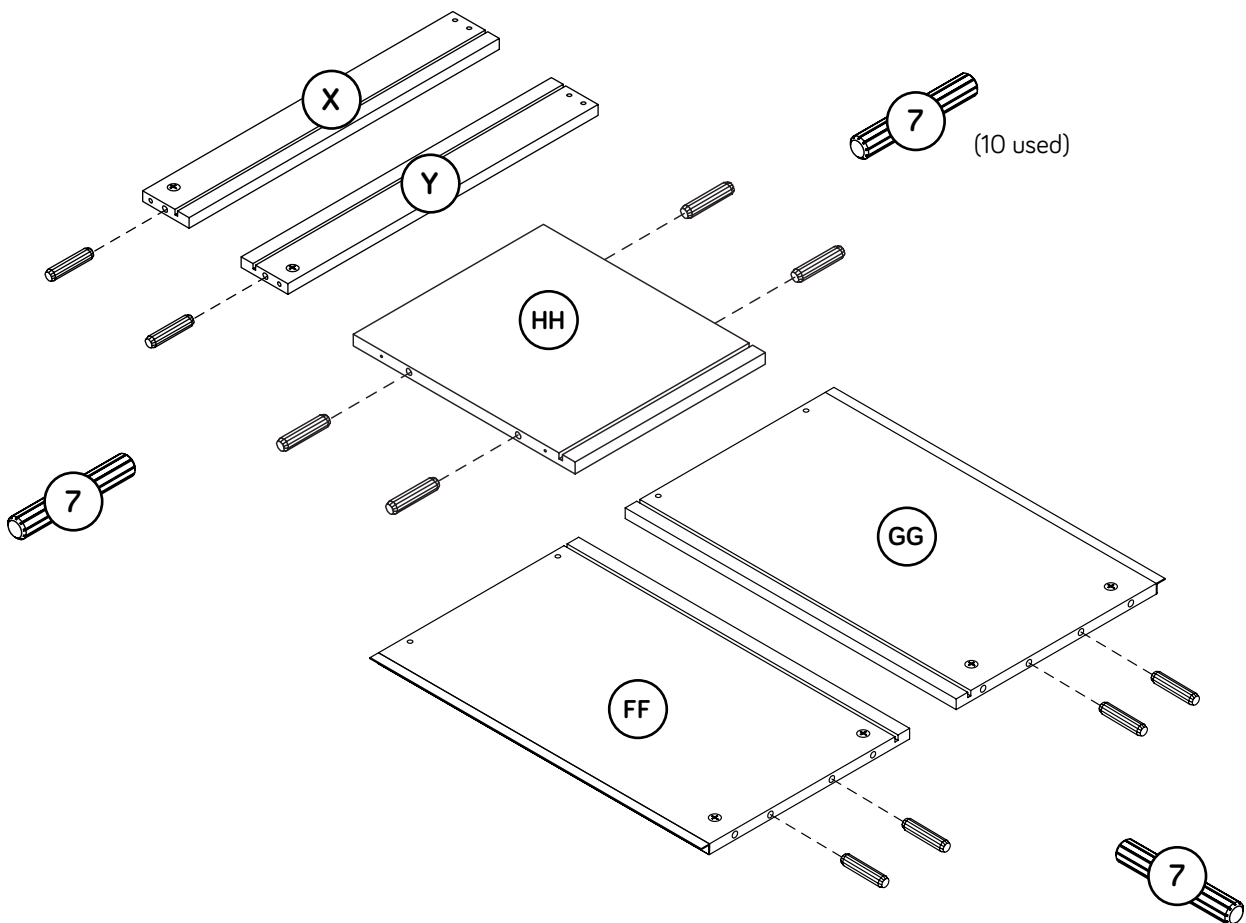
Push ten SMALL HIDDEN CAMS (4) into the DRAWER SIDES (X, Y, BB, CC, FF, and GG).

 Side Step: Make nachos. (Optional, but recommended.)

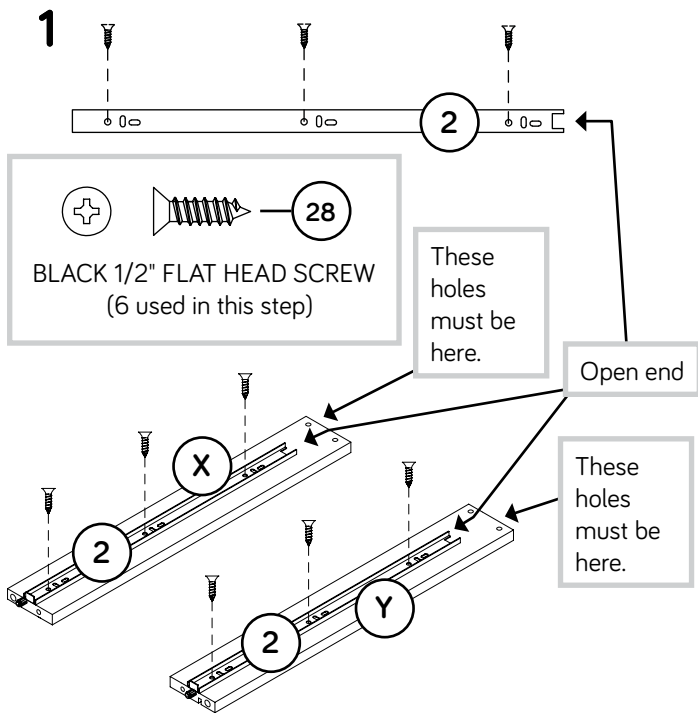


Step 27

- ✦ Insert ten SMALL WOOD DOWELS (7) into the edges of the DRAWER SIDES (X, Y, FF, and GG) and LARGE DRAWER BACK (HH).



Step 28



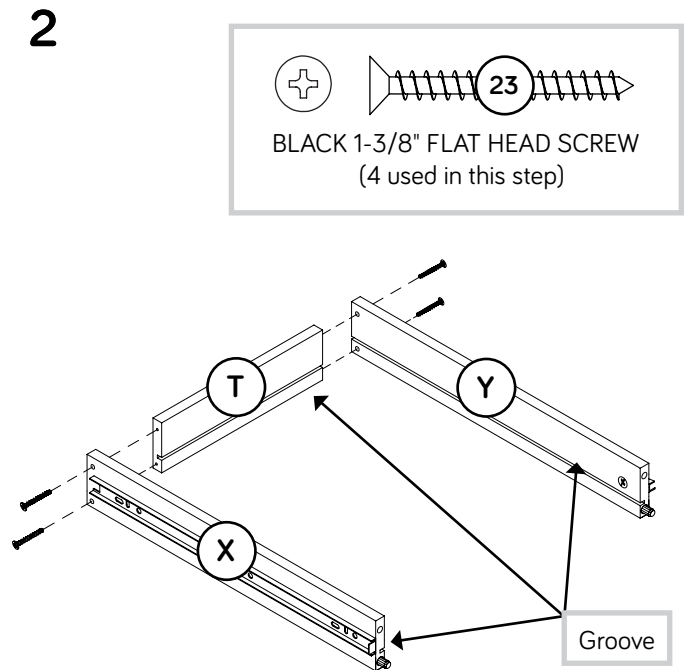
BLACK 1/2" FLAT HEAD SCREW (6 used in this step)

These holes must be here.

Open end

These holes must be here.

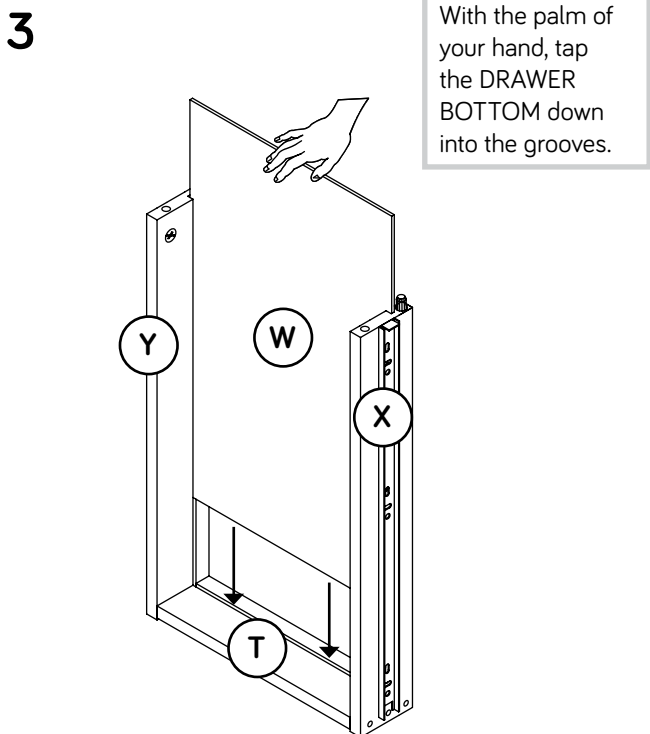
- Fasten the EXTENSION SLIDES (2) to the SMALL DRAWER SIDES (X and Y). Use six BLACK 1/2" FLAT HEAD SCREWS (28). Use the exact holes shown in the upper view.



BLACK 1-3/8" FLAT HEAD SCREW (4 used in this step)

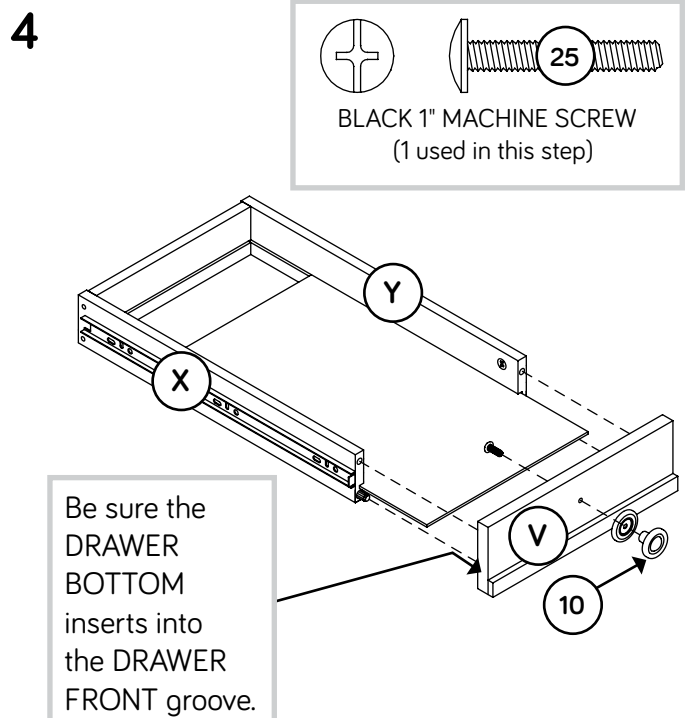
Groove

- Fasten the SMALL DRAWER SIDES (X and Y) to the SMALL DRAWER BACK (T). Use four BLACK 1-3/8" FLAT HEAD SCREWS (23).



With the palm of your hand, tap the DRAWER BOTTOM down into the grooves.

- Slide the DRAWER BOTTOM (W) into the grooves in the SMALL DRAWER SIDES (X and Y) and SMALL DRAWER BACK (T).

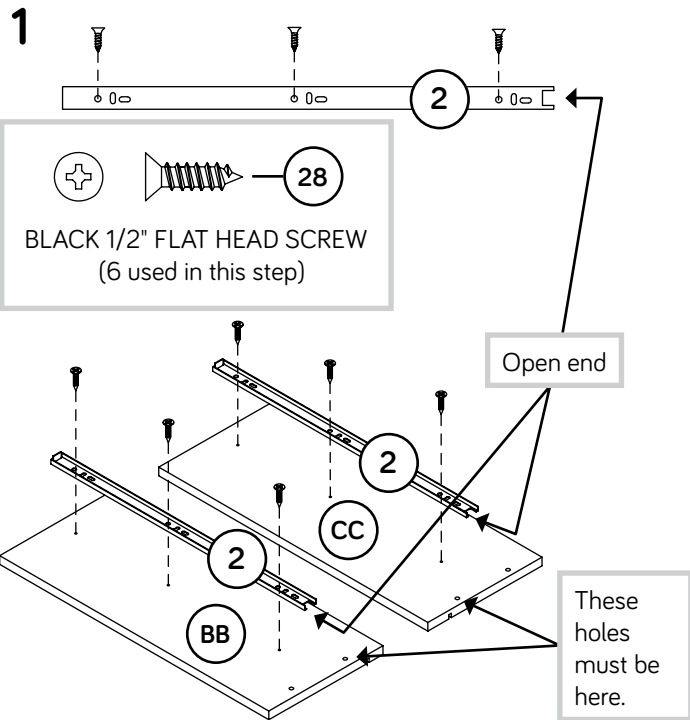


BLACK 1" MACHINE SCREW (1 used in this step)

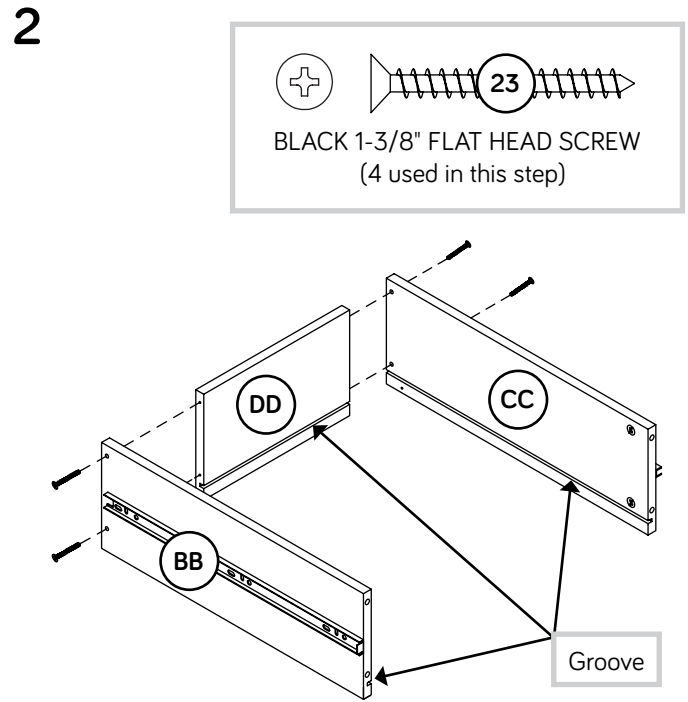
Be sure the DRAWER BOTTOM inserts into the DRAWER FRONT groove.

- Fasten the SMALL DRAWER FRONT (V) to the SMALL DRAWER SIDES (X and Y). Tighten two HIDDEN CAMS.
- Fasten a KNOB SET (10) to the SMALL DRAWER FRONT (V). Use a BLACK 1" MACHINE SCREW (25).

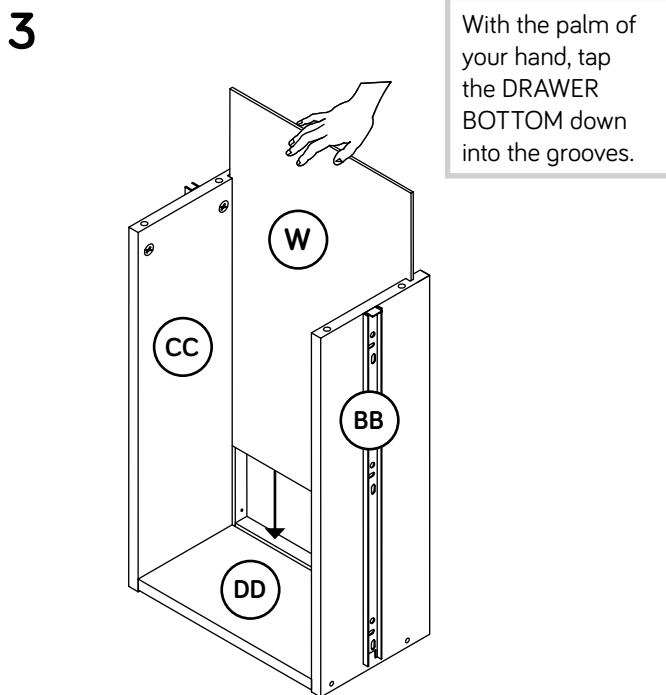
Step 29



Fasten the EXTENSION SLIDES (2) to the DRAWER SIDES (BB and CC). Use six BLACK 1/2" FLAT HEAD SCREWS (28). Use the exact holes shown in the upper view.

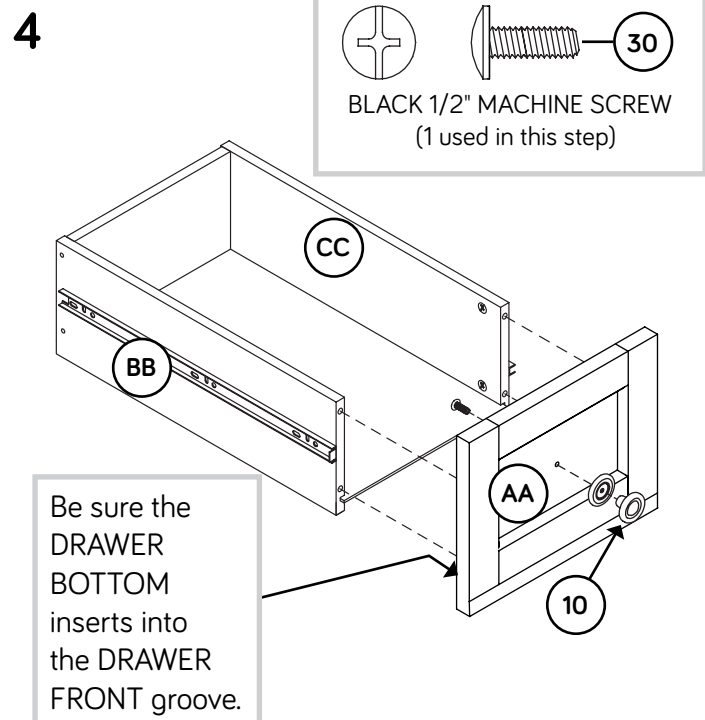


Fasten the DRAWER SIDES (BB and CC) to the DRAWER BACK (DD). Use four BLACK 1-3/8" FLAT HEAD SCREWS (23).



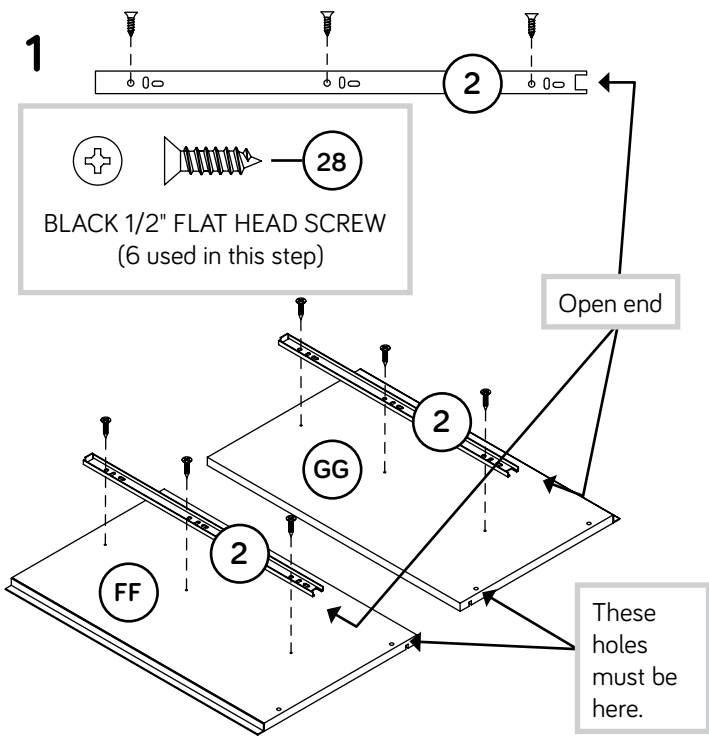
With the palm of your hand, tap the DRAWER BOTTOM into the grooves.

Slide the DRAWER BOTTOM (W) into the grooves in the DRAWER SIDES (BB and CC) and DRAWER BACK (DD).

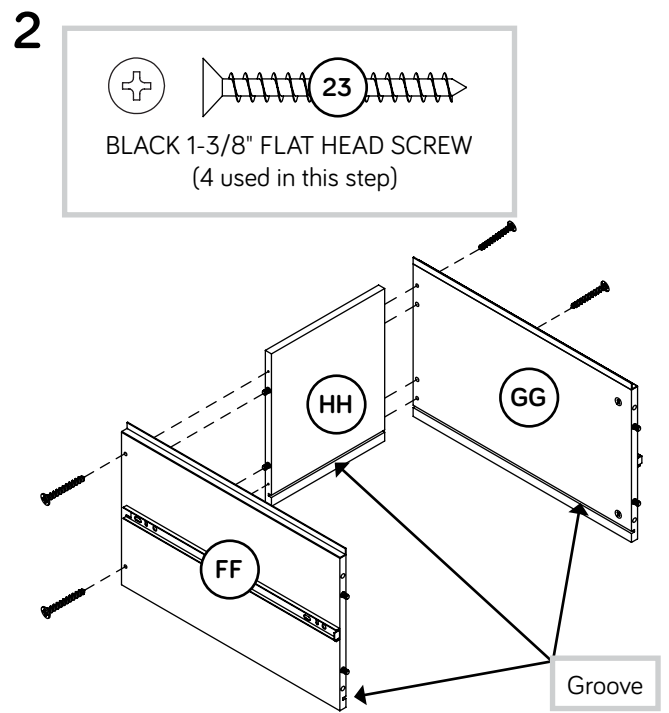


Fasten the DRAWER FRONT (AA) to the DRAWER SIDES (BB and CC). Tighten four HIDDEN CAMS. Fasten a KNOB SET (10) to the DRAWER FRONT (AA). Use a BLACK 1/2" MACHINE SCREW (30).

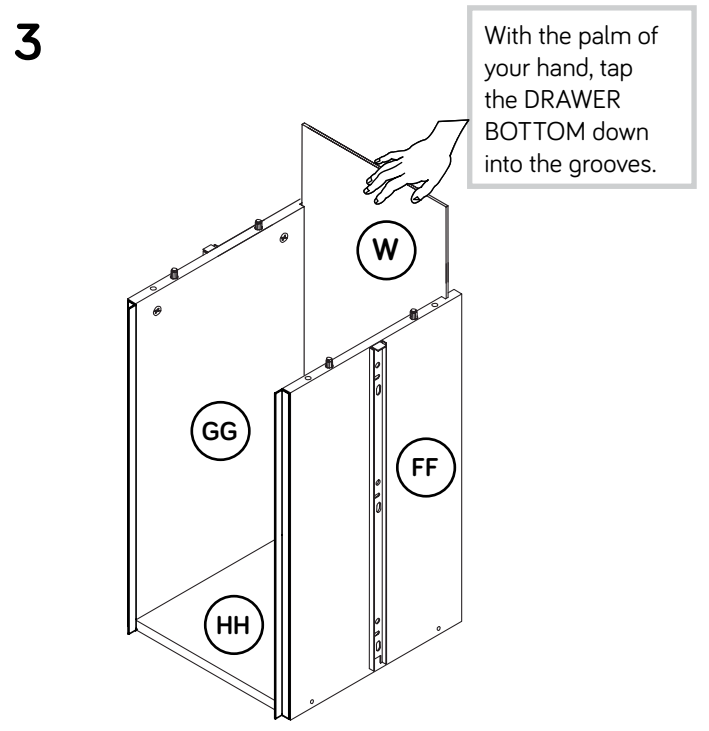
Step 30



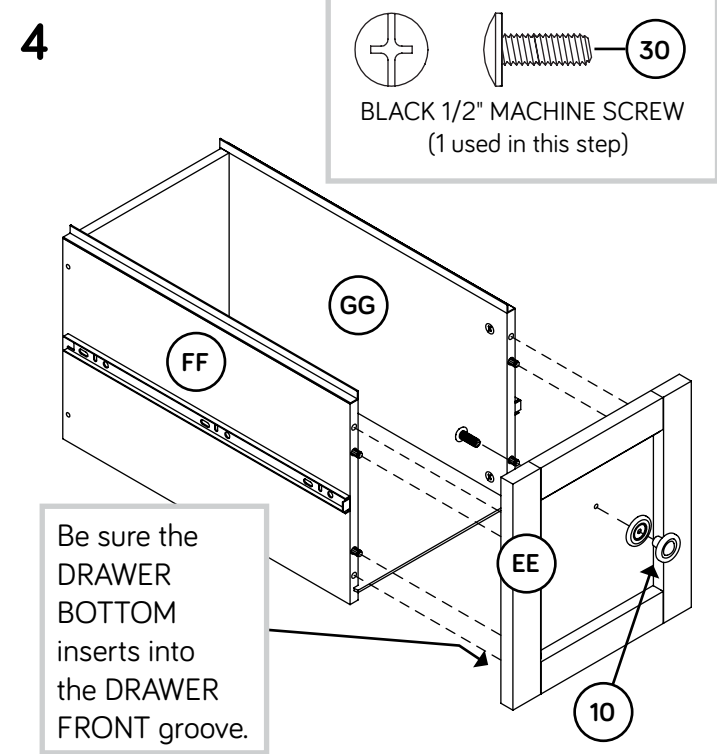
Fasten the EXTENSION SLIDES (2) to the LARGE DRAWER SIDES (FF and GG). Use six BLACK 1/2" FLAT HEAD SCREWS (28). Use the exact holes shown in the upper view.



Fasten the LARGE DRAWER SIDES (FF and GG) to the LARGE DRAWER BACK (HH). Use four BLACK 1-3/8" FLAT HEAD SCREWS (23).



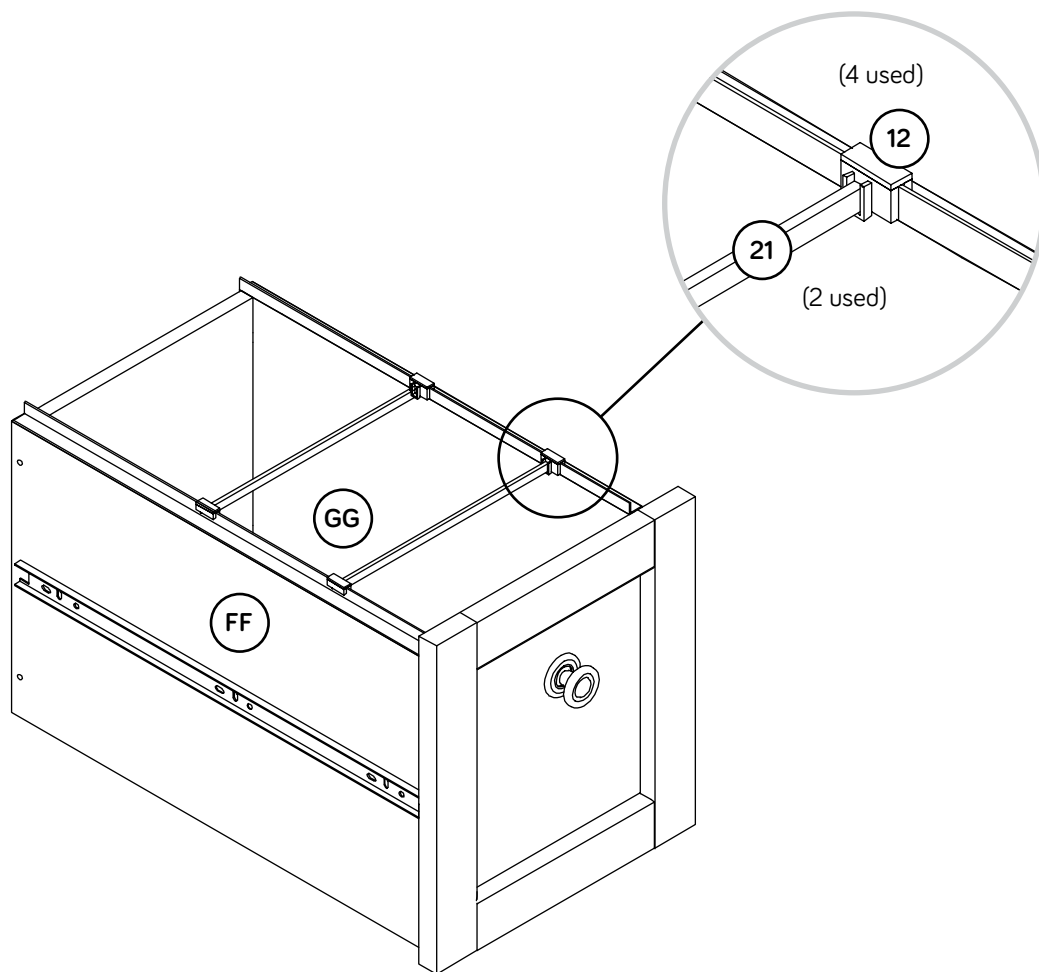
Slide the DRAWER BOTTOM (W) into the grooves in the LARGE DRAWER SIDES (FF and GG) and SMALL DRAWER BACK (HH).



Fasten the LARGE DRAWER FRONT (EE) to the LARGE DRAWER SIDES (FF and GG). Tighten four HIDDEN CAMS. Fasten a KNOB SET (10) to the LARGE DRAWER FRONT (EE). Use a BLACK 1/2" MACHINE SCREW (30).

Step 31

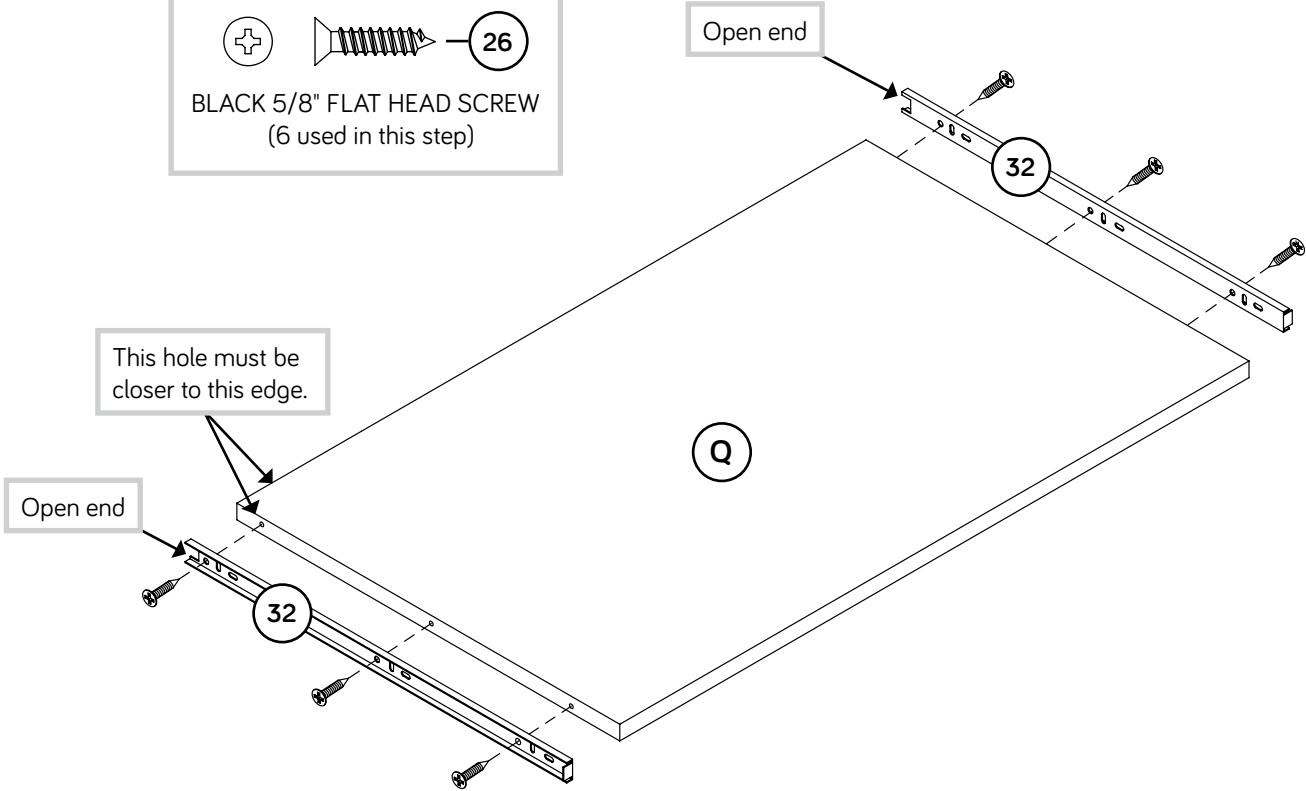
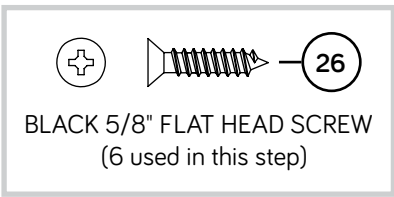
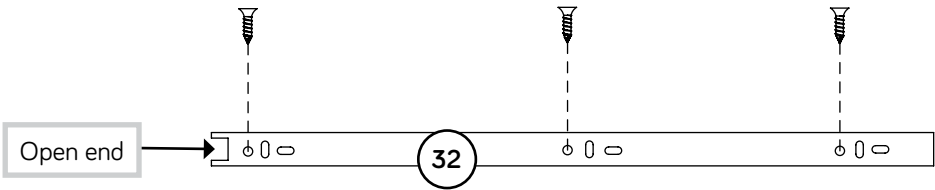
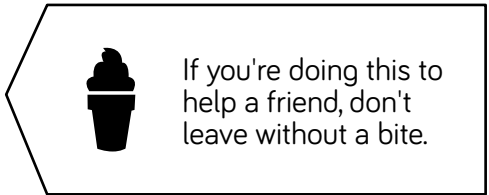
- Place four FILE BAR CLIPS (12) and two FILE BARS (21) onto the top edge of the plastic file glides on the LARGE DRAWER SIDES (FF and GG).







Step 32

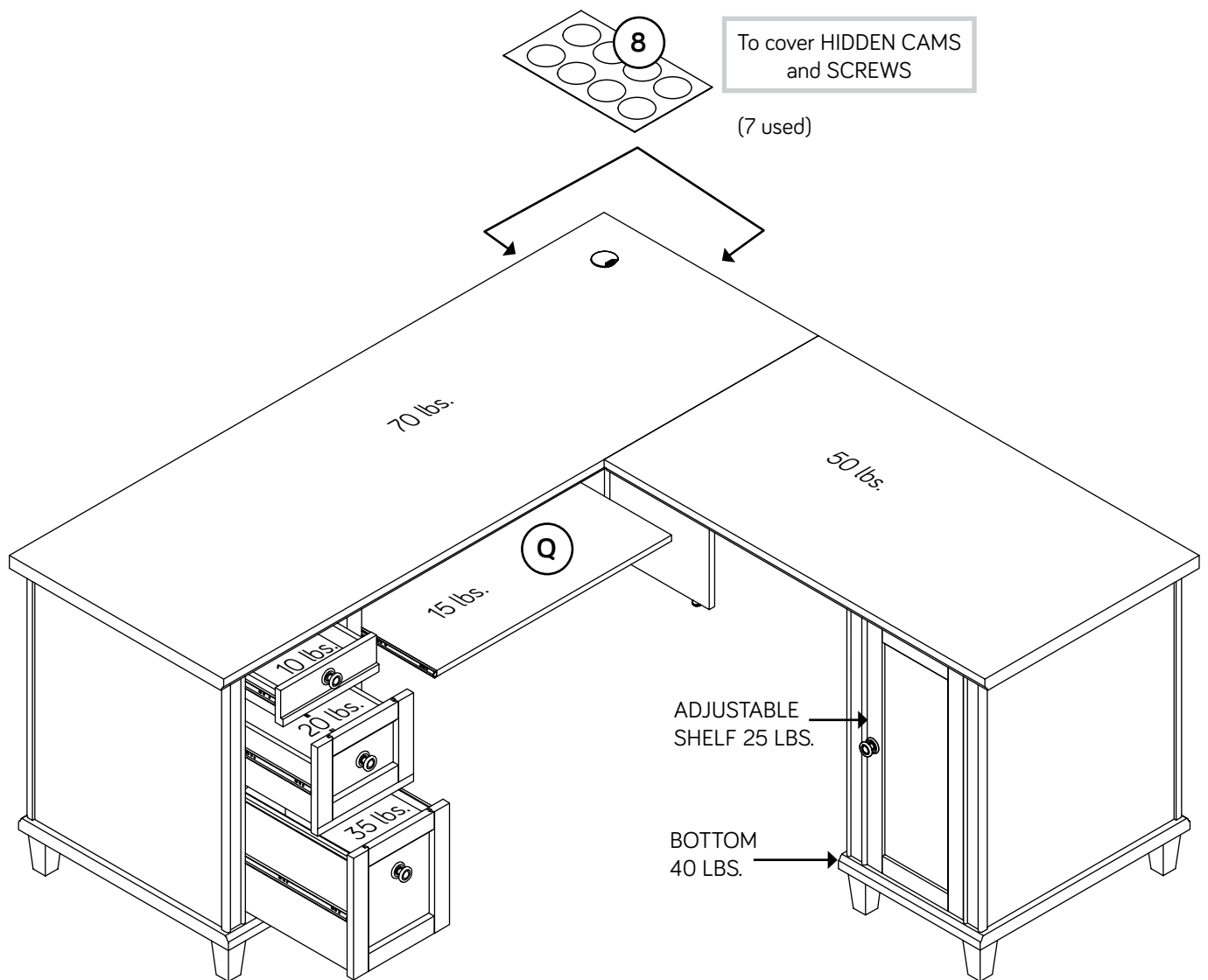


Fasten WIDE EXTENSION SLIDES (32) to the KEYBOARD SHELF (Q). Use six BLACK 5/8" FLAT HEAD SCREWS (26). Use the exact holes shown.



Step 33

- ✚ To insert the drawers into your unit, line up the EXTENSION SLIDES on the drawers with the EXTENSION RAILS on the unit and push the drawers into the unit until the drawers are fully inserted. The drawers will push in hard until they are all the way in, then they will slide in and out easier. Repeat this for the KEYBOARD SHELF (Q).
 - ✚ Peel APPLIQUES from the APPLIQUE CARD (8) and stick them onto each visible HIDDEN CAM and SCREW head.
 - ✚ To level your L-Desk, turn the ADJUSTABLE GLIDES out on the BACKS (M and N) by rotating them a couple of turns.
 - ✚ NOTE: Please read the back pages of the instruction booklet for important safety information.
 - ✚ This completes assembly. Clean with a damp cloth. Wipe dry.
- ★ **And to celebrate, why not share your success story?**    



Utilisez les instructions d'assemblage en français avec les schémas étape par étape du manuel d'instruction en anglais. Chaque étape en français correspond à la même étape en anglais. La pièce devant être attachée à l'élément est représentée en gris sur les schémas de chaque étape pour plus de précision. Comparer la "Liste de pièces" ci-dessous avec la "PART IDENTIFICATION" du manuel en anglais pour vous familiariser avec les pièces avant l'assemblage.

REMARQUE : CE MANUEL D'INSTRUCTIONS CONTIENT D'IMPORTANTES INFORMATIONS RELATIVES À LA SÉCURITÉ. À LIRE ET CONSERVER POUR TOUTE RÉFÉRENCE FUTURE.

NOUS SOMMES LA POUR VOUS AIDER!

Nous faisons de notre mieux pour nous assurer que votre meuble arrive dans d'excellentes conditions. Nos représentants du service Clientèle sont aimables et prêts à vous aider au cas où une pièce aurait été endommagée ou manquerait (ou si vous aviez besoin d'aide pour l'assemblage). NE RAMENEZ PAS LE MEUBLE AU MAGASIN. Au Canada, composez ce numéro d'appel gratuit:

1-800-445-1527

Du lundi au vendredi, de 9 heures du matin à 5:30 heures du soir (horaire Côte Est) (sauf jours fériés)

Si une pièce a besoin d'être remplacée, la pièce de remplacement sera envoyée dans les 48 heures. (Sauf week-ends et jours fériés)

Noter la date d'achat de cet élément et conserver le livret pour future référence. Pour contacter Sauder en ce qui concerne cet élément, faire référence au numéro de lot et numéro de modèle en appelant notre numéro sans frais.

Lot n° : _____

Date de l'achat : _____

LISTE DE PIÈCES			LISTE DE PIÈCES		
REFERENCE	DESCRIPTION	QUANTITÉ	REFERENCE	DESCRIPTION	QUANTITÉ
A	GRAND DESSUS	1		(ENSEMBLE DE GLISSIÈRE ILLUSTRÉ À PART)	
B	PETIT DESSUS.....	1	1	GLISSIÈRE D'EXTENSION	6
C	EXTRÉMITÉ GAUCHE.....	1	2	COULISSE D'EXTENSION	6
D	MONTANT GAUCHE	1		(ENSEMBLE DE GLISSIÈRE ILLUSTRÉ À PART)	
E	MONTANT DROIT.....	1	31	GLISSIÈRE D'EXTENSION LARGE.....	2
F	EXTRÉMITÉ DROITE	1	32	COULISSE D'EXTENSION LARGE.....	2
G	ARRIÈRE	2	3	EXCENTRIQUE ESCAMOTABLE.....	49
H	DESSOUS GAUCHE	1	4	PETITE EXCENTRIQUE ESCAMOTABLE.....	10
J	DESSOUS DROIT.....	1	5	VIS D'EXCENTRIQUE	59
K	VOILE DE FOND GAUCHE.....	1	6	GRANDE CHEVILLE EN BOIS.....	54
L	VOILE DE FOND DROIT	1	7	PETITE CHEVILLE EN BOIS	10
M	PIED ARRIÈRE GAUCHE.....	1	8	FICHE D'APPLIQUÉS.....	7
N	PIED ARRIÈRE DROIT	1	9	CHARNIÈRE.....	2
O	ENTRETOISE DE TIROIR.....	1	10	ENSEMBLE DE BOUTONS.....	4
P	TABLETTE RÉGLABLE	1	11	GOUPILLE EN MÉTAL	4
Q	TABLETTE DE CLAVIER.....	1	12	CLIP DE TRINGLE POUR DOSSIERS.....	4
R	MONTANT GAUCHE DE TABLETTE DE CLAVIER.....	1	13	GRAND PASSE-CÂBLES.....	2
S	MONTANT DROIT POUR CLAVIER	1	14	PASSE-CÂBLES.....	1
T	ARRIÈRE DE PETIT TIROIR.....	1	15	COUVERCLE DE PASSE-CÂBLES	1
U	PORTE.....	1	16	CLÉ EN L.....	1
V	DEVANT DE PETIT TIROIR.....	1	17	LOQUETEAU MAGNÉTIQUE	1
W	FOND DE TIROIR.....	3	18	PLAQUE DE LIAISON	3
X	CÔTÉ GAUCHE DE PETIT TIROIR	1	19	PLAQUE DE BUTÉE.....	1
Y	CÔTÉ DROIT DE PETIT TIROIR.....	1	20	PATIN RÉGLABLE.....	4
Z	PIED.....	8	21	TRINGLE POUR DOSSIERS.....	2
AA	DEVANT DE TIROIR.....	1	22	VIS TÊTE HEX 70 mm NOIRE.....	16
BB	CÔTÉ GAUCHE DE TIROIR.....	1	23	VIS TÊTE PLATE 35 mm NOIRE.....	16
CC	CÔTÉ DROIT DE TIROIR.....	1	24	VIS TÊTE GOUTTE DE SUIF 25 mm NOIRE.....	32
DD	ARRIÈRE DE TIROIR.....	1	25	VIS À MÉTAUX 25 mm NOIRE.....	2
EE	DEVANT DE GRAND TIROIR.....	1	26	VIS TÊTE PLATE 16 mm NOIRE.....	44
FF	CÔTÉ GAUCHE DE GRAND TIROIR.....	1	27	VIS TÊTE PLATE ÉTROITE 16 mm NOIRE.....	2
GG	CÔTÉ DROIT DE GRAND TIROIR.....	1	28	VIS TÊTE PLATE 13 mm NOIRE.....	18
HH	ARRIÈRE DE GRAND TIROIR.....	1	29	VIS TÊTE PLATE ÉTROITE 13 mm NOIRE.....	1
			30	VIS À MÉTAUX 12,7 mm NOIRE	2

ÉTAPE 1

Assembler l'élément sur un sol à moquette ou sur le carton vide pour éviter d'endommager l'élément ou le sol.

Faire tourner seize VIS D'EXCENTRIQUE (5) dans les EXTRÉMITÉS (C et F) et les MONTANTS (D et E).

ÉTAPE 2

Enfoncer vingt-six EXCENTRIQUES ESCAMOTABLES (3) dans les EXTRÉMITÉS (C et F), les MONTANTS (D et E), les ARRIÈRES (G) et l'ENTRETOISE (O).

ÉTAPE 3

Enfoncer vingt-six GRANDES CHEVILLES EN BOIS (6) dans les bords des EXTRÉMITÉS (C et F), des MONTANTS (D et E), des ARRIÈRES (G) et de l'ENTRETOISE (O).

ÉTAPE 4

Séparer six COULISSES D'EXTENSION (2) des GLISSIÈRES D'EXTENSION (1) comme l'indique le schéma ci-dessous supérieure. Faire attention car les pièces sont graissées.

Fixer les GLISSIÈRES D'EXTENSION (1) à l'EXTRÉMITÉ GAUCHE (C) et au MONTANT GAUCHE (D). Utiliser dix-huit VIS TÊTE PLATE 16 mm NOIRES (26).

REMARQUE : Pour chaque GLISSIÈRE D'EXTENSION, faire tourner une VIS dans le trou indiqué dans le schéma agrandi. Ensuite, enfler la cartouche interne de la GLISSIÈRE D'EXTENSION vers l'intérieur pour trouver les autres trous qui sont alignés sur les trous dans l'EXTRÉMITÉ et le MONTANT. Faire tourner une VIS dans ces trous.

REMARQUE : Les COULISSES D'EXTENSION seront utilisées ultérieurement pour les TIROIRS.

ÉTAPE 5

Fixer l'ARRIÈRE (G) et l'ENTRETOISE (O) au MONTANT GAUCHE (D). Serrer trois EXCENTRIQUES ESCAMOTABLES.

REMARQUE : S'assurer de bien insérer les CHEVILLES EN BOIS situées sur l'ARRIÈRE et l'ENTRETOISE dans les trous sur le MONTANT GAUCHE.

Fixer l'EXTRÉMITÉ GAUCHE (C) à l'ARRIÈRE (G) et à l'ENTRETOISE (O). Serrer trois EXCENTRIQUES ESCAMOTABLES.

REMARQUE : S'assurer de bien insérer les CHEVILLES EN BOIS situées sur l'ARRIÈRE et l'ENTRETOISE dans les trous sur l'EXTRÉMITÉ GAUCHE.

ÉTAPE 6

Fixer l'autre ARRIÈRE (G) à l'EXTRÉMITÉ DROITE (F). Serrer deux EXCENTRIQUES ESCAMOTABLES.

REMARQUE : S'assurer de bien insérer les CHEVILLES EN BOIS situées sur l'ARRIÈRE dans les trous dans l'EXTRÉMITÉ DROITE.

Fixer le MONTANT DROIT (E) à l'ARRIÈRE (G). Serrer deux EXCENTRIQUES ESCAMOTABLES.

REMARQUE : S'assurer de bien insérer les CHEVILLES EN BOIS situées sur l'ARRIÈRE dans les trous dans l'EXTRÉMITÉ DROITE.

ÉTAPE 7

1. Insérer deux GRANDES CHEVILLES EN BOIS (6) dans un PIED (Z) et répéter cette étape pour les autres sept PIEDS (Z).

2. Fixer les PIEDS (Z) aux DESSOUS (H et J). Faire tourner dix-sept VIS TÊTE HEX 70 mm NOIRES (22) avec la CLÉ EN L (16).

3. Faire tourner huit VIS D'EXCENTRIQUE (5) dans les DESSOUS (H et J).

ÉTAPE 8

Fixer le DESSOUS GAUCHE (H) à l'EXTRÉMITÉ GAUCHE (C) et au MONTANT GAUCHE (D). Serrer quatre EXCENTRIQUES ESCAMOTABLES.

REMARQUE : S'assurer d'insérer les CHEVILLES EN BOIS dans l'EXTRÉMITÉ GAUCHE et le MONTANT GAUCHE dans les trous du DESSOUS GAUCHE.

Fixer le DESSOUS DROIT (J) au MONTANT DROIT (E) et à l'EXTRÉMITÉ DROITE (F). Serrer quatre EXCENTRIQUES ESCAMOTABLES.

REMARQUE : S'assurer d'insérer les CHEVILLES EN BOIS dans l'EXTRÉMITÉ DROITE et le MONTANT DROIT dans les trous du DESSOUS DROIT.

Insérer un PASSE-CÂBLES (14) dans le gros trou du MONTANT DROIT (E) et le GRAND PASSE-CÂBLES (13) dans le gros trou du DESSOUS DROIT (J).

ÉTAPE 9

Insérer sept EXCENTRIQUES ESCAMOTABLES (3) dans les PIEDS ARRIÈRE (M et N).

REMARQUE : La flèche dans l'EXCENTRIQUE ESCAMOTABLE doit être dirigée vers le trou dans le chant de la planche.

Retourner le PIED ARRIÈRE GAUCHE (M). Faire tourner trois VIS D'EXCENTRIQUE (5) dans le PIED ARRIÈRE GAUCHE (M).

ÉTAPE 10

Insérer deux CHEVILLES EN BOIS (6) dans le long bord du PIED ARRIÈRE DROIT (N).

Faire tourner les PATINS RÉGLABLES (20) complètement dans les filets dans les bords courts des PIEDS ARRIÈRE (M et N).

Le BUREAU peut être ajusté vers le haut ou vers le bas avec les PATINS RÉGLABLES à la dernière étape.

ÉTAPE 11

Fixer le PIED ARRIÈRE DROIT (N) au PIED ARRIÈRE GAUCHE (M). Serrer trois EXCENTRIQUES ESCAMOTABLES.

REMARQUE : S'assurer que les CHEVILLES EN BOIS dans le PIED ARRIÈRE DROIT s'insèrent dans les trous du PIED ARRIÈRE GAUCHE.

ÉTAPE 12

Enfoncer seize EXCENTRIQUES ESCAMOTABLES (3) dans les VOILES DE FOND (K et L) et les MONTANTS DE TABLETTE DE CLAVIER (R et S).

REMARQUE : La flèche dans l'EXCENTRIQUE ESCAMOTABLE doit être dirigée vers le trou dans le chant de la planche.

ÉTAPE 13

Insérer six GRANDES CHEVILLES EN BOIS (6) dans les trous dans les bords courts des VOILES DE FOND (K et L).

Fixer le VOILE DE FOND DROIT (L) au VOILE DE FOND GAUCHE (K). Utiliser deux VIS TÊTE PLATE 35 mm NOIRES (23).

REMARQUE : S'assurer de bien insérer les GRANDES CHEVILLES EN BOIS situées sur le VOILE DE FOND GAUCHE dans les trous du VOILE DE FOND DROIT.

ÉTAPE 14

Faire appel à une autre personne pour les étapes 14 et 15.

Fixer les VOILES DE FOND (L et K) aux PIEDS ARRIÈRE (M et N). Utiliser huit VIS TÊTE GOUTTE DE SUIF 25 mm NOIRES (24).

ÉTAPE 15

Fixer le MONTANT DROIT (E) sur le VOILE DE FOND DROIT (L). Serrer trois EXCENTRIQUES ESCAMOTABLES.

Fixer le MONTANT GAUCHE (D) au VOILE DE FOND GAUCHE (K). Serrer trois EXCENTRIQUES ESCAMOTABLES.

REMARQUE : S'assurer de bien insérer les GRANDES CHEVILLES EN BOIS situées sur les VOILES DE FOND dans les trous des MONTANTS.

ÉTAPE 16

Vous avez l'option d'assembler la TABLETTE DE CLAVIER (Q) sur la gauche ou la droite du Bureau en L comme l'indique le schéma.

ÉTAPE 17

Faire tourner trente-deux CHEVILLES EN BOIS (5) dans les DESSUS (A et B), le DEVANT DE PETIT TIROIR (V), le DEVANT DE TIROIR (AA) et le DEVANT DE GRAND TIROIR (EE). Utiliser les trous exacts indiqués.

REMARQUE : Les légendes ci-dessous vous demander d'utiliser des trous spécifiques pour attacher la TABLETTE DE CLAVIER sur la gauche ou la droite du Bureau en L.

ÉTAPE 18

Fixer trois PLAQUES DE LIAISON (18) aux DESSUS (A et B). Utiliser douze VIS TÊTE GOUTTE DE SUIF 25 mm NOIRES (24).

Fixer le LOQUETEAU MAGNÉTIQUE (17) au DESSUS DROIT (B). Utiliser deux VIS TÊTE PLATE ÉTROITES 16 mm NOIRES (27).

ÉTAPE 19

Faire appel à une autre personne pour cette étape.

1. Fixer le DESSUS DROIT (B) à l'EXTRÉMITÉ DROITE (F), au MONTANT DROIT (E), au VOILE DE FOND DROIT (L) et au PIED ARRIÈRE DROIT (N). Serrer sept EXCENTRIQUES ESCAMOTABLES.

2. Fixer le DESSUS GAUCHE (A) à l'EXTRÉMITÉ GAUCHE (C), au MONTANT GAUCHE (D), au VOILE DE FOND GAUCHE (K) et au PIED ARRIÈRE GAUCHE (M). Serrer huit EXCENTRIQUES ESCAMOTABLES.

REMARQUE : S'assurer d'insérer les GRANDES CHEVILLES EN BOIS des MONTANTS, EXTRÉMITÉS, VOILES DE FOND et PIEDS ARRIÈRE dans les DESSUS.

3. Fixer le DESSUS GAUCHE (A) au DESSUS DROIT (B). Utiliser douze VIS TÊTE GOUTTE DE SUIF 25 mm NOIRES (24) à travers les PLAQUES DE LIAISON et dans le DESSUS GAUCHE.

Insérer le GRAND PASSE-CÂBLES (13) et un COUVERCLE DE PASSE-CÂBLES (15) dans le gros trou du DESSUS GAUCHE (A).

ÉTAPE 20

Fixer les CHARNIÈRES (9) à la PORTE (U). Utiliser quatre VIS TÊTE PLATE 16 mm NOIRES (26).

Fixer l'ENSEMBLE DE BOUTONS (10) à la PORTE (U). Utiliser une VIS À MÉTAUX 25 mm NOIRE (25).

ÉTAPE 21

Insérer les GOUPILLES EN MÉTAL dans les trous choisis de l'EXTRÉMITÉ DROITE (F) et du MONTANT DROIT (E). Poser la TABLETTE RÉGLABLE (P) sur les GOUPILLES EN MÉTAL.

Fixer la PLAQUE DE BUTÉE (19) à la PORTE (U). Utiliser une VIS TÊTE PLATE ÉTROITE 13 mm NOIRE (29).

Fixer la PORTE (U) à l'EXTRÉMITÉ DROITE (F). Utiliser huit VIS TÊTE PLATE 16 mm NOIRES (26).

ÉTAPE 22

Consulter le schéma agrandi pour identifier les pièces des CHARNIÈRES.

Il faut peut-être ajuster les PORTES. Suivre les indications ci-dessous pour ajuster.

RÉGLAGES DES PORTES :

Pour ajuster les PORTES latéralement (horizontalement), tourner la vis de réglage vers l'intérieur ou vers l'extérieur.

Pour ajuster les PORTES de haut en bas (verticalement), desserrer les quatre vis de réglage. Déplacer les PORTES verticalement à l'emplacement désiré. Serrer les vis après avoir ajusté.

Pour ajuster les PORTES vers l'intérieur ou vers l'extérieur (profondeur), desserrer la vis de montage un tour et déplacer les PORTES vers l'intérieur ou vers l'extérieur. Serrer la vis de montage après avoir ajusté.

ÉTAPE 23

Séparer les COULISSES D'EXTENSION LARGES (32) des GLISSIÈRES D'EXTENSION LARGES (31) comme l'indique le schéma ci-dessous supérieure. Faire attention car les pièces sont graissées.

Fixer les GLISSIÈRES D'EXTENSION LARGES (31) aux MONTANTS DE TABLETTE DE CLAVIER (R et S). Utiliser six VIS TÊTE PLATE 16 mm NOIRES (26).

REMARQUE : Pour chaque GLISSIÈRE D'EXTENSION LARGE, faire tourner une VIS dans le trou indiqué dans le schéma agrandi. Ensuite, enfler la cartouche interne de la GLISSIÈRE D'EXTENSION vers l'intérieur pour trouver les autres trous qui sont alignés sur les trous dans les MONTANTS. Faire tourner une VIS dans ces trous.

REMARQUE : Les COULISSES D'EXTENSION LARGES seront utilisées ultérieurement pour la TABLETTE DE CLAVIER.

Insérer quatre GRANDES CHEVILLES EN BOIS (6) dans les bords longs des MONTANTS DE TABLETTE DE CLAVIER (R et S).

ÉTAPE 24

Passer à l'étape 25 si vous avez choisi de localiser votre MONTANT DE TABLETTE DE CLAVIER sur le côté droit du Bureau en L.

Fixer les MONTANTS DE TABLETTE DE CLAVIER (R et S) au DESSUS GAUCHE (A). Serrer quatre EXCENTRIQUES ESCAMOTABLES.

REMARQUE : S'assurer de bien insérer les GRANDES GOUPILLES EN BOIS situées sur les MONTANTS dans les trous du DESSUS GAUCHE (A). Les GLISSIÈRES D'EXTENSION devraient être dirigées l'un en face de l'autre.

Fixer le MONTANT DROIT DE TABLETTE DE CLAVIER (S) au VOILE DE FOND GAUCHE (K). Utiliser deux VIS TÊTE PLATE 35 mm NOIRES (23).

Passer à l'étape 26.

ÉTAPE 25

Fixer les MONTANTS DE TABLETTE DE CLAVIER (R et S) aux DESSUS (A et B). Serrer quatre EXCENTRIQUES ESCAMOTABLES.

REMARQUE : S'assurer de bien insérer les GRANDES CHEVILLES EN BOIS situées sur les MONTANTS dans les trous dans les DESSUS. Les GLISSIÈRES D'EXTENSION devraient être dirigées l'un en face de l'autre.

Fixer le MONTANT GAUCHE DE TABLETTE DE CLAVIER (R) sur le VOILE DE FOND DROIT (L). Utiliser deux VIS TÊTE PLATE 35 mm NOIRES (23).

ÉTAPE 26

Enfoncer dix PETITES EXCENTRIQUES ESCAMOTABLES (4) dans les CÔTÉS DE TIROIR (X, Y, BB, CC, FF et GG).

ÉTAPE 27

Insérer dix PETITES CHEVILLES EN BOIS (7) dans les bords des CÔTÉS DE TIROIR (X, Y, FF et GG) et l'ARRIÈRE DE GRAND TIROIR (HH).

ÉTAPE 28

1. Fixer les COULISSES D'EXTENSION (2) aux CÔTÉS DE PETIT TIROIR (X et Y). Utiliser six VIS TÊTE PLATE 13 mm NOIRES (28). Utiliser les trous exacts illustrés dans la vue du haut.

2. Fixer les CÔTÉS DE PETIT TIROIR (X et Y) à l'ARRIÈRE DE PETIT TIROIR (T). Utiliser quatre VIS TÊTE PLATE 35 mm NOIRES (23).

3. Enfiler le FOND DE TIROIR (W) dans les rainures des CÔTÉS DE PETIT TIROIR (X et Y) et de l'ARRIÈRE DE PETIT TIROIR (T).

4. Fixer le DEVANT DE PETIT TIROIR (V) aux CÔTÉS DE PETIT TIROIR (X et Y). Serrer deux EXCENTRIQUES ESCAMOTABLES.

Fixer un ENSEMBLE DE BOUTONS (10) sur le DEVANT DE PETIT TIROIR (V). Utiliser une VIS À MÉTAUX 25 mm NOIRE (25).

ÉTAPE 29

1. Fixer les COULISSES D'EXTENSION (2) aux CÔTÉS DE TIROIR (BB et CC). Utiliser six VIS TÊTE PLATE 13 mm NOIRES (28). Utiliser les trous exacts illustrés dans la vue du haut.

2. Fixer les CÔTÉS DE TIROIR (BB et CC) à l'ARRIÈRE DE TIROIR (DD). Utiliser quatre VIS TÊTE PLATE 35 mm NOIRES (23).

3. Enfiler le FOND DE TIROIR (W) dans les rainures des CÔTÉS DE TIROIR (BB et CC) et l'ARRIÈRE DE TIROIR (DD).

4. Fixer le DEVANT DE TIROIR (AA) aux CÔTÉS DE TIROIR (BB et CC). Serrer quatre EXCENTRIQUES ESCAMOTABLES.

Fixer un ENSEMBLE DE BOUTONS (10) au DEVANT DE TIROIR (AA). Utiliser une VIS À MÉTAUX 12,7 mm NOIRE (30).

ÉTAPE 30

1. Fixer les COULISSES D'EXTENSION (2) aux CÔTÉS DE GRAND TIROIR (FF et GG). Utiliser six VIS TÊTE PLATE 13 mm NOIRES (28). Utiliser les trous exacts illustrés dans la vue du haut.

2. Fixer les CÔTÉS DE GRAND TIROIR (FF et GG) à l'ARRIÈRE DE GRAND TIROIR (HH). Utiliser quatre VIS TÊTE PLATE 35 mm NOIRES (23).

3. Enfiler le FOND DE TIROIR (W) dans les rainures des CÔTÉS DE GRAND TIROIR (FF et GG) et de l'ARRIÈRE DE PETIT TIROIR (HH).

4. Fixer le DEVANT DE GRAND TIROIR (EE) aux CÔTÉS DE GRAND TIROIR (FF et GG). Serrer quatre EXCENTRIQUES ESCAMOTABLES.

Fixer un ENSEMBLE DE BOUTONS (10) sur le DEVANT DE GRAND TIROIR (EE). Utiliser une VIS À MÉTAUX 12,7 mm NOIRE (30).

ÉTAPE 31

Placer quatre CLIPS DE TRINGLE POUR DOSSIERS (12) et deux TRINGLES POUR DOSSIERS (21) sur le bord supérieur des glissières pour dossiers en plastique sur les CÔTÉS DE GRAND TIROIR (FF et GG).

ÉTAPE 32

Fixer les COULISSES D'EXTENSION LARGES (32) à la TABLETTE DE CLAVIER (Q). Utiliser six VIS TÊTE PLATE 16 mm NOIRES (26). Utiliser les trous exacts indiqués.

ÉTAPE 33

Pour insérer les tiroirs dans l'élément, aligner les COULISSES D'EXTENSION des tiroirs sur les GLISSIÈRES D'EXTENSION de l'élément et enfoncer les tiroirs dans l'élément jusqu'à ce que les tiroirs soient complètement insérés. Les tiroirs offriront une certaine résistance jusqu'à ce qu'ils soient complètement insérés dans l'élément, glisserait ensuite sans difficulté. Répéter cette étape pour la TABLETTE DE CLAVIER (Q).

Décoller les APPLIQUÉS de la FICHE D'APPLIQUÉS (8) et coller les sur chaque EXCENTRIQUE ESCAMOTABLE et VIS visible.

Pour niveler votre Bureau en L, faire tourner les PATINS RÉGLABLES hors des ARRIÈRES (M et N) en les tournant quelques tours.

REMARQUE : Prière de lire les informations importantes sur la sécurité figurant sur les pages arrière du manuel d'instructions.

Ceci complète l'assemblage. Nettoyer avec un tissu humide. Essuyer.

Use estas instrucciones de ensamblaje en español junto con las figuras paso-a-paso provistas en el folleto inglés. Cada paso en español corresponde al mismo paso en inglés. Se destacan las figuras de cada paso con una tonalidad oscura para mostrar precisamente cual parte se debe montar a la unidad. Compare la "Lista de Part" abajo con la "Part Identification" en el folleto en inglés para familiarizarse con Las partes de ensamblaje.

NOTA: ESTE FOLLETO DE INSTRUCCIONES CONTIENE INFORMACIÓN **IMPORTANTE** SOBRE LA SEGURIDAD. POR FAVOR LEA Y GUÁRDELO PARA REFERENCIA EN EL FUTURO.

ESTAMOS AQUI PARA AYUDAR!

Tratamos de asegurar que su mueble llega en condición excelente. Nuestros representantes de Servicio al Cliente son amables y listos para ayudarlo con servicio rápido y eficiente si una parte está defectuosa o ausente (o si necesita ayuda con el ensamblaje). **NO DEVUELVA LA UNIDAD A LA TIENDA.** Llame este número sin cargo:

1-800-445-1527

Lunes a viernes, 9:00 a.m. - 5:30 p.m.

**Hora oficial del Este
(excepto días festivos)**

Si requiere un repuesto de una parte, será enviado dentro de 48 horas (excepto los fines de semana y días festivos)

Anote la fecha de comprar esta unidad y guarde el folleto para su referencia futura. Si necesita ponerse en contacto con Sauder en cuanto a esta unidad, refiérase al número de lote y al número de modelo cuando llame a nuestro número gratis.

No. lote: _____

Fecha de compra: _____

LISTA DE PARTES			LISTA DE PARTES		
ITEM	DESCRIPCIÓN	CANTIDAD	ITEM	DESCRIPCIÓN	CANTIDAD
A	PANEL SUPERIOR GRANDE.....	1	(JUEGO DE EXTENSIÓN SE MUESTRA POR SEPARADO)		
B	PANEL SUPERIOR PEQUEÑO.....	1	1	RIEL DE EXTENSIÓN.....	6
C	EXTREMO IZQUIERDO.....	1	2	CORREDERA DE EXTENSIÓN.....	6
D	PARAL IZQUIERDO.....	1	(JUEGO DE EXTENSIÓN SE MUESTRA POR SEPARADO)		
E	PARAL DERECHO.....	1	31	RIEL DE EXTENSIÓN ANCHO.....	2
F	EXTREMO DERECHO.....	1	32	CORREDERA DE EXTENSIÓN ANCHA.....	2
G	DORSO.....	2	3	EXCÉNTRICO ESCONDIDO.....	49
H	FONDO IZQUIERDO.....	1	4	EXCÉNTRICO ESCONDIDO PEQUEÑO.....	10
J	FONDO DERECHO.....	1	5	BIELA DE EXCÉNTRICO.....	59
K	VELO DE FONDO IZQUIERDO.....	1	6	PASADOR DE MADERA GRANDE.....	54
L	VELO DE FONDO DERECHO.....	1	7	PASADOR DE MADERA PEQUEÑO.....	10
M	PATA POSTERIOR IZQUIERDA.....	1	8	TARJETA CON APLICACIONES.....	7
N	PATA POSTERIOR DERECHA.....	1	9	BISAGRA.....	2
O	RIOSTRA DE CAJÓN.....	1	10	JUEGO DE PERILLAS.....	4
P	ESTANTE AJUSTABLE.....	1	11	ESPIGA DE METAL.....	4
Q	ESTANTE DE TECLADO.....	1	12	CLIP DE BARRA DE ARCHIVERO.....	4
R	PARAL IZQUIERDO DE TECLADO.....	1	13	OJAL GRANDE.....	2
S	PARAL DERECHO DE TECLADO.....	1	14	OJAL.....	1
T	DORSO DE CAJÓN PEQUEÑO.....	1	15	CUBIERTA DE OJAL.....	1
U	PUERTA.....	1	16	LLAVE EN L.....	1
V	CARA DE CAJÓN PEQUEÑO.....	1	17	AGARRADOR MAGNÉTICO.....	1
W	FONDO DE CAJÓN.....	3	18	PLACA DE CONEXIÓN.....	3
X	LADO IZQUIERDO DE CAJÓN PEQUEÑO.....	1	19	PLACA DE CONTACTO.....	1
Y	LADO DERECHO DE CAJÓN PEQUEÑO.....	1	20	DESLIZAMIENTO AJUSTABLE.....	4
Z	PATA.....	8	21	BARRA DE ARCHIVERO.....	2
AA	CARA DE CAJÓN.....	1	22	TORNILLO NEGRO DE CABEZA HEXAGONAL de 70 mm.....	16
BB	LADO IZQUIERDO DE CAJÓN.....	1	23	TORNILLO NEGRO DE CABEZA PERDIDA de 35 mm.....	16
CC	LADO DERECHO DE CAJÓN.....	1	24	TORNILLO NEGRO DE CABEZA REDONDA de 25 mm.....	32
DD	DORSO DE CAJÓN.....	1	25	TORNILLO NEGRO PARA METAL de 25 mm....	2
EE	CARA DE CAJÓN GRANDE.....	1	26	TORNILLO NEGRO DE CABEZA PERDIDA de 16 mm.....	44
FF	LADO IZQUIERDO DE CAJÓN GRANDE.....	1	27	TORNILLO NEGRO DE CABEZA PERDIDA ESTRECHO de 16 mm.....	2
GG	LADO DERECHO DE CAJÓN GRANDE.....	1	28	TORNILLO NEGRO DE CABEZA PERDIDA de 13 mm.....	18
HH	DORSO DE CAJÓN GRANDE.....	1	29	TORNILLO NEGRO DE CABEZA PERDIDA ESTRECHO de 13 mm.....	1
			30	TORNILLO NEGRO PARA METAL de 12,7 mm..	2

PASO 1

Ensamble la unidad sobre un piso alfombrado o sobre el cartón vacío para evitar rayar la unidad o el piso.

Empuje dieciséis BIELAS DE EXCÉNTRICO (5) dentro de los EXTREMOS (C y F) y de los PARALES (D y E).

PASO 2

Empuje veintiséis EXCÉNTRICOS ESCONDIDOS (3) dentro de los EXTREMOS (C y F), de los PARALES (D y E), de los DORSOS (G) y de la RIOSTRA (O).

PASO 3

Inserte veintiséis PASADORES DE MADERA GRANDES (6) en los bordes de los EXTREMOS (C y F), de los PARALES (D y E), de los DORSOS (G) y de la RIOSTRA (O).

PASO 4

Separe seis CORREDERAS DE EXTENSIÓN (2) de los RIELES DE EXTENSIÓN (1) como se muestra en el diagrama superior más abajo. Prepárese, las piezas son grasientas.

Fije los RIELES DE EXTENSIÓN (1) al EXTREMO IZQUIERDO (C) y al PARAL IZQUIERDO (D). Utilice dieciocho TORNILLOS NEGROS DE CABEZA PERDIDA de 16 mm (26).

NOTA: Para cada RIEL DE EXTENSIÓN, atornille un TORNILLO dentro del agujero indicado en el diagrama ampliado. A continuación, deslice el cartucho interno del RIEL DE EXTENSIÓN hacia el interior para encontrar los otros agujeros que se alinean con los agujeros del EXTREMO y PARAL. Atornille un TORNILLO dentro de estos agujeros.

NOTA: Las CORREDERAS DE EXTENSIÓN se utilizarán más tarde para los CAJONES.

PASO 5

Fije un DORSO (G) a la RIOSTRA (O) y al PARAL IZQUIERDO (D). Apriete tres EXCÉNTRICOS ESCONDIDOS.

NOTA: Asegúrese de que los PASADORES DE MADERA sujetos al DORSO y a la RIOSTRA se inserten dentro de los agujeros del PARAL IZQUIERDO.

Fije el EXTREMO IZQUIERDO (C) al DORSO (G) y a la RIOSTRA (O). Apriete tres EXCÉNTRICOS ESCONDIDOS.

NOTA: Asegúrese de que los PASADORES DE MADERA sujetos al DORSO y a la RIOSTRA se inserten dentro de los agujeros del EXTREMO IZQUIERDO.

PASO 6

Fije el otro DORSO (G) al EXTREMO DERECHO (F). Apriete dos EXCÉNTRICOS ESCONDIDOS.

NOTA: Asegúrese de insertar los PASADORES DE MADERA del DORSO en los agujeros del EXTREMO DERECHO.

Fije el PARAL DERECHO (E) al DORSO (G). Apriete dos EXCÉNTRICOS ESCONDIDOS.

NOTA: Asegúrese de insertar los PASADORES DE MADERA del DORSO en los agujeros del PARAL DERECHO.

PASO 7

1. Inserte dos PASADORES DE MADERA GRANDES (6) en una PATA (Z) y repita este paso para la otra siete PATAS (Z).

2. Fije las PATAS (Z) a los FONDOS (H y J). Atornille dieciséis TORNILLOS NEGROS DE CABEZA HEXAGONAL de 70 mm (22) utilizando la LLAVE EN L (16).

3. Gire ocho BIELAS DE EXCÉNTRICO (5) en los FONDOS (H y J).

PASO 8

Fije el FONDO IZQUIERDO (H) al EXTREMO IZQUIERDO (C) y al PARAL IZQUIERDO (D). Apriete cuatro EXCÉNTRICOS ESCONDIDOS.

NOTA: Asegúrese de insertar los PASADORES DE MADERA del EXTREMO IZQUIERDO y del PARAL IZQUIERDO en los agujeros del FONDO IZQUIERDO.

Fije el FONDO DERECHO (J) al PARAL DERECHO (E) y al EXTREMO DERECHO (F). Apriete cuatro EXCÉNTRICOS ESCONDIDOS.

NOTA: Asegúrese de insertar los PASADORES DE MADERA del EXTREMO DERECHO y del PARAL DERECHO en los agujeros del FONDO DERECHO.

Inserte un OJAL (14) dentro del agujero grande del PARAL DERECHO (E) y el OJAL GRANDE (13) dentro del agujero grande del FONDO DERECHO (J).

PASO 9

Empuje siete EXCÉNTRICOS ESCONDIDOS (3) dentro de las PATAS POSTERIORES (M y N).

NOTA: La flecha en el EXCÉNTRICO ESCONDIDO debe apuntar hacia el agujero en el borde de la tabla.

Vuelva la PATA IZQUIERDA POSTERIOR (M). Gire tres BIELAS DE EXCÉNTRICO (5) dentro de la PATA IZQUIERDA POSTERIOR (M).

PASO 10

Inserte dos PASADORES DE MADERA (6) en el borde largo de la PATA DERECHA POSTERIOR (N).

Atornille los DESLIZAMIENTOS AJUSTABLES (20) completamente en los hilos en los bordes cortos de las PATAS POSTERIORES (M y N).

El ESCRITORIO pueden ajustarse arriba y abajo con los DESLIZAMIENTOS AJUSTABLES en el último paso.

PASO 11

Inserte dos PASADORES DE MADERA (6) en el borde largo de la PATA DERECHA POSTERIOR (N).

Atornille los DESLIZAMIENTOS AJUSTABLES (20) completamente en los hilos en los bordes cortos de las PATAS POSTERIORES (M y N).

El ESCRITORIO pueden ajustarse arriba y abajo con los DESLIZAMIENTOS AJUSTABLES en el último paso.

PASO 12

Empuje dieciséis EXCÉNTRICOS ESCONDIDOS (3) en los VELOS DE FONDO (K y L) y los PARALES DE ESTANTE DE TECLADO (R y S).

NOTA: La flecha en el EXCÉNTRICO ESCONDIDO debe apuntar hacia el agujero en el borde de la tabla.

PASO 13

Inserte seis PASADORES DE MADERA GRANDES (6) en los agujeros en los bordes cortos de los VELOS DE FONDO (K y L).

Fije el VELO DE FONDO DERECHO (L) al VELO DE FONDO IZQUIERDO (K). Utilice dos TORNILLOS NEGROS DE CABEZA PERDIDA de 35 mm (23).

NOTA: Asegúrese de que los PASADORES DE MADERA GRANDES fijados al VELO DE FONDO IZQUIERDO se inserten dentro de los agujeros del VELO DE FONDO DERECHO.

PASO 14

Necesitar la ayuda de otra persona para los pasos 14 y 15.

Fije los VELOS DE FONDO (L y K) a las PATAS POSTERIORES (M y N). Utilice ocho TORNILLOS NEGROS DE CABEZA REDONDA de 25 mm (24).

PASO 15

Fije el PARAL DERECHO (E) al VELO DE FONDO DERECHO (L). Utilice dos TORNILLOS NEGROS DE CABEZA PERDIDA de 35 mm (23).

Fije el PARAL IZQUIERDO (D) al VELO DE FONDO IZQUIERDO (K). Utilice dos TORNILLOS NEGROS DE CABEZA PERDIDA de 35 mm (23).

NOTA: Asegúrese de que los PASADORES DE MADERA GRANDES sujetos a los VELOS DE FONDO se inserten dentro de los agujeros de los PARALES.

PASO 16

Usted tiene la opción de montar el ESTANTE DE TECLADO (Q) en el lado izquierdo o en el lado derecho del Escritorio en L como se muestra

PASO 17

Gire treinta y dos BIELAS DE EXCÉNTRICO (5) en los PANELES SUPERIORES (A y B), la CARA DE CAJÓN PEQUEÑO (V), la CARA DE CAJÓN (AA) y la CARA DE CAJÓN GRANDE (EE). Utilice los agujeros correspondientes indicados.

NOTA: Las siguientes llamadas le indicarán que use agujeros específicos para fijar el ESTANTE DE TECLADO en el lado izquierdo o en el lado derecho del Escritorio en L.

PASO 18

Fije las PLACAS DE CONEXIÓN (18) a los PANELES SUPERIORES (A y B). Utilice doce TORNILLOS NEGROS DE CABEZA REDONDA de 25 mm (24).

Fije el AGARRADOR MAGNÉTICO (17) al PANEL SUPERIOR DERECHO (B). Utilice dos TORNILLOS NEGROS DE CABEZA PERDIDA ESTRECHOS de 16 mm (27).

PASO 19

Necesitar la ayuda de otra persona para este paso.

1. Fije el PANEL SUPERIOR DERECHO (B) al EXTREMO DERECHO (F), al PARAL DERECHO (E), al VELO DE FONDO DERECHO (L) y a la PATA DERECHA POSTERIOR (N). Apriete siete EXCÉNTRICOS ESCONDIDOS.

2. Fije el PANEL SUPERIOR IZQUIERDO (A) al EXTREMO IZQUIERDO (C), al PARAL IZQUIERDO (D), al VELO DE FONDO IZQUIERDO (K) y a la PATA IZQUIERDA POSTERIOR (M). Apriete ocho EXCÉNTRICOS ESCONDIDOS.

NOTA: Asegúrese de que los PASADORES DE MADERA GRANDES en los EXTREMOS, PARALES, VELOS DE FONDO y las PATAS POSTERIORES se inserten en los PANELES SUPERIORES.

3. Fije el PANEL SUPERIOR IZQUIERDO (A) al PANEL SUPERIOR DERECHO (B). Utilice doce TORNILLOS NEGROS DE CABEZA REDONDA de 25 mm (24) a través de la PLACAS DE CONEXIÓN y en el PANEL SUPERIOR IZQUIERDO.

Inserte el OJAL GRANDE (13) y la CUBIERTA DE OJAL (15) en el agujero grande del PANEL SUPERIOR IZQUIERDO (A).

PASO 20

Fije las BISAGRAS (9) a la PUERTA (U). Use cuatro TORNILLOS NEGROS DE CABEZA PERDIDA de 16 mm (26).

Fije un JUEGO DE PERILLAS (10) a la PUERTA (U). Utilice un TORNILLO NEGRO PARA METAL de 25 mm (25).

PASO 21

Inserte las **ESPIGAS DE METAL** dentro de los agujeros al nivel preferido del **EXTREMO DERECHO (F)** y del **PARAL DERECHO (E)**. Coloque el **ESTANTE AJUSTABLE (P)** sobre las **ESPIGAS DE METAL**.

Fije la **PLACA DE CONTACTO (19)** a la **PUERTA (U)**. Utilice un **TORNILLO NEGROS DE CABEZA PERDIDA ESTRECHO** de 13 mm (29).

Fije la **PUERTA (U)** al **EXTREMO DERECHO (F)**. Utilice ocho **TORNILLOS NEGROS DE CABEZA PERDIDA** de 16 mm (26).

PASO 22

Consulte el diagrama ampliado para identificar las piezas de las **BISAGRAS**.

Las **PUERTAS** pueden requerir de ajustes. Siga el texto abajo para hacer los ajustes necesarios.

AJUSTE DE LA PUERTA:

Para ajustar las **PUERTAS** de un lado al otro (horizontalmente), y gire el tornillo de ajuste hacia el interior o hacia el exterior.

Para ajustar las **PUERTAS** hacia arriba o hacia abajo (vertical), afloje los cuatro tornillos de ajuste. Mueva las **PUERTAS** hacia arriba o hacia abajo a la ubicación deseada. Apriete los tornillos después de hacer los ajustes.

Para ajustar las **PUERTAS** hacia atrás o hacia adelante (profundidad), afloje el tornillo de montaje una vuelta y mueva las **PUERTAS** hacia el interior o hacia el exterior según sea necesario. Apriete el tornillo de montaje después de hacer los ajustes.

PASO 23

Separe las **CORREDERAS DE EXTENSIÓN ANCHAS (32)** de los **RIELES DE EXTENSIÓN ANCHOS (31)** como se muestra en el diagrama superior más abajo. Prepárese, las piezas son grasientas.

Fije los **RIELES DE EXTENSIÓN ANCHOS (31)** a los **PARALES DE ESTANTE DE TECLADO (R y S)**. Utilice seis **TORNILLOS NEGROS DE CABEZA PERDIDA** de 16 mm (26).

NOTA: Para cada **RIEL DE EXTENSIÓN ANCHO**, atornille un **TORNILLO** dentro del agujero indicado en el diagrama ampliado. A continuación, deslice el cartucho interno del **RIEL DE EXTENSIÓN** hacia el interior para encontrar los otros agujeros que se alinean con los agujeros de los **PARALES**. Atornille un **TORNILLO** dentro de estos agujeros.

NOTA: Las **CORREDERAS DE EXTENSIÓN ANCHAS** se utilizarán más tarde para el **ESTANTE DE TECLADO**.

Inserte cuatro **PASADORES DE MADERA GRANDES (6)** en los bordes largos de los **PARALES DE ESTANTE DE TECLADO (R y S)**.

PASO 24

Vaya al paso 25 si decide ubicar su **ESTANTE DE TECLADO** al lado derecho de su Escritorio en L.

Fije los **PARALES DE ESTANTE DE TECLADO (R y S)** al **PANEL SUPERIOR IZQUIERDO (A)**. Apriete cuatro **EXCÉNTRICOS ESCONDIDOS**.

NOTA: Asegúrese de insertar los **PASADORES DE MADERA GRANDES** de los **PARALES** dentro de los agujeros del **PANEL SUPERIOR IZQUIERDO (A)**. Los **RIELES DE EXTENSIÓN** deben mirar uno en frente del otro.

Fije el **PARAL DERECHO DE ESTANTE DE TECLADO (S)** al **VELO DE FONDO IZQUIERDO (K)**. Utilice dos **TORNILLOS NEGROS DE CABEZA PERDIDA** de 35 mm (23).

Vaya al paso 26.

PASO 25

Fije los **PARALES DE ESTANTE DE TECLADO (R y S)** a los **PANELES SUPERIORES (A y B)**. Apriete cuatro **EXCÉNTRICOS ESCONDIDOS**.

NOTA: Asegúrese de insertar los **PASADORES DE MADERA GRANDES** sujetos a los **PARALES** en los agujeros de los **PANELES SUPERIORES**. Los **RIELES DE EXTENSIÓN** deben mirar uno en frente del otro.

Fije el **PARAL IZQUIERDO DE ESTANTE DE TECLADO (R)** al **VELO DE FONDO DERECHO (L)**. Utilice dos **TORNILLOS NEGROS DE CABEZA PERDIDA** de 35 mm (23).

PASO 26

Empuje diez **EXCÉNTRICOS ESCONDIDOS PEQUEÑOS (4)** en los **LADOS DE CAJÓN (X, Y, BB, CC, FF y GG)**.

PASO 27

Inserte diez **PASADORES DE MADERA PEQUEÑOS (7)** dentro de los bordes de los **LADOS DE CAJÓN (X, Y, FF y GG)** y el **DORSO DE CAJÓN GRANDE (HH)**.

PASO 28

1. Fije las CORREDERAS DE EXTENSIÓN (2) a los LADOS DE CAJÓN PEQUEÑO (X y Y). Utilice seis TORNILLOS NEGROS DE CABEZA PERDIDA de 13 mm (28). Utilice los agujeros correspondientes indicados en la imagen superior.
 2. Fije los LADOS DE CAJÓN PEQUEÑO (X y Y) al DORSO DE CAJÓN PEQUEÑO (T). Use cuatro TORNILLOS NEGROS DE CABEZA PERDIDA de 35 mm (23).
 3. Deslice el FONDO DE CAJÓN (W) dentro de las ranuras de los LADOS DE CAJÓN PEQUEÑO (X y Y) y del DORSO DE CAJÓN PEQUEÑO (T).
 4. Fije la CARA DE CAJÓN PEQUEÑO (V) a los LADOS DE CAJÓN PEQUEÑO (X y Y). Apriete dos EXCÉNTRICOS ESCONDIDOS.
- Fije un JUEGO DE PERILLAS (10) a la CARA DE CAJÓN PEQUEÑO (V). Utilice un TORNILLO NEGRO PARA METAL de 25 mm (25).

PASO 29

1. Fije las CORREDERAS DE EXTENSIÓN (2) a los LADOS DE CAJÓN (BB y CC). Utilice seis TORNILLOS NEGROS DE CABEZA PERDIDA de 13 mm (28). Utilice los agujeros correspondientes indicados en la imagen superior.
 2. Fije los LADOS DE CAJÓN (BB y CC) al DORSO DE CAJÓN (DD). Use cuatro TORNILLOS NEGROS DE CABEZA PERDIDA de 35 mm (23).
 3. Deslice el FONDO DE CAJÓN (W) dentro de las ranuras de los LADOS DE CAJÓN (BB y CC) y del DORSO DE CAJÓN (DD).
 4. Fije la CARA DE CAJÓN (AA) a los LADOS DE CAJÓN (BB y CC). Apriete cuatro EXCÉNTRICOS ESCONDIDOS.
- Fije un JUEGO DE PERILLAS (10) a la CARA DE CAJÓN (AA). Utilice un TORNILLO NEGRO PARA METAL de 12,7 mm (30).

PASO 30

1. Fije las CORREDERAS DE EXTENSIÓN (2) a los LADOS DE CAJÓN GRANDE (FF y GG). Utilice seis TORNILLOS NEGROS DE CABEZA PERDIDA de 13 mm (28). Utilice los agujeros correspondientes indicados en la imagen superior.
 2. Fije los LADOS DE CAJÓN GRANDE (FF y GG) al DORSO DE CAJÓN GRANDE (HH). Use cuatro TORNILLOS NEGROS DE CABEZA PERDIDA de 35 mm (23).
 3. Deslice el FONDO DE CAJÓN (II) dentro de las ranuras de los LADOS DE CAJÓN GRANDE (FF y GG) y del DORSO DE CAJÓN PEQUEÑO (HH).
 4. Fije la CARA DE CAJÓN GRANDE (EE) a los LADOS DE CAJÓN GRANDE (FF y GG). Apriete cuatro EXCÉNTRICOS ESCONDIDOS.
- Fije un JUEGO DE PERILLAS (10) a la CARA DE CAJÓN GRANDE (EE). Utilice un TORNILLO NEGRO PARA METAL de 12,7 mm (30).

PASO 31

Coloque cuatro CLIPS DE BARRA DE ARCHIVERO (12) y dos BARRAS DE ARCHIVERO sobre el borde superior de los corrimientos del archivero de plástico sobre los LADOS DE CAJÓN GRANDE (FF y GG).

PASO 32

Fije las CORREDERAS DE EXTENSIÓN ANCHAS (32) al ESTANTE DE TECLADO (Q). Utilice seis TORNILLOS NEGROS DE CABEZA PERDIDA de 16 mm (26). Utilice los agujeros correspondientes indicados.

PASO 33

Para insertar los cajones dentro de la unidad, alinee las CORREDERAS DE EXTENSIÓN sujetadas a los cajones con los RIELES DE EXTENSIÓN sujetados a la unidad y empuje los cajones dentro de la unidad hasta que los cajones estén completamente insertados. Los cajones mueven con dificultad hasta que se inserten completamente dentro de la unidad, después deslizarán fácilmente hacia adentro y hacia afuera. Repita este paso para el ESTANTE DE TECLADO (Q).

Separe las APLICACIONES de la TARJETA CON APLICACIONES (8) y aplique las sobre cada EXCÉNTRICO ESCONDIDO y TORNILLO.

Para nivelar su Escritorio en L, atornille los DESLIZAMIENTOS AJUSTABLES fuera de los DORSOS (M y N) girándolos un par de vueltas.

NOTA: Por favor, lea las páginas de atrás del folleto de instrucciones en cuanto a importante información de seguridad.

Esto completa el ensamblaje. Limpiar con un trapo húmedo. Seque con un paño.

⚠ WARNING

Please use your furniture correctly and safely. Improper use can cause safety hazards, or damage to your furniture or household items. **Carefully read the following chart.**

Look out for:	What can happen:	How to avoid the problem:
<ul style="list-style-type: none"> Overloaded shelves or drawers. Improper loading can cause the product to be top-heavy. 	<ul style="list-style-type: none"> Risk of injury. Top-heavy furniture can tip over. Overloaded shelves and drawers can break. 	<ul style="list-style-type: none"> Never exceed the weight limits shown in the instructions. Work from bottom to top when loading shelves and drawers. Place the heavier items on the lower shelves or in lower drawers.
<ul style="list-style-type: none"> Improperly moving furniture that is not designed and equipped with casters. 	<ul style="list-style-type: none"> Furniture can tip over or break if improperly moved. Physical injury. Furniture can be very heavy. Breakage of tops - particularly with double pedestal furniture (drawers at both ends). 	<ul style="list-style-type: none"> Unload shelves and drawers from top to bottom before moving the unit. Do not push furniture, especially on a carpeted floor. Have a friend help you lift the item and set it in place. Provide support to the center section of the top when lifting the furniture.
<ul style="list-style-type: none"> Placing TVs on furniture items that are not designed to support a television is hazardous. 	<ul style="list-style-type: none"> Risk of injury or death. TVs can be very heavy. Plus the weight and location of the picture tube tends to make TVs unbalanced and prone to tipping forward. 	<ul style="list-style-type: none"> This product is not designed to support a television.

⚠ AVERTISSEMENT

Prière d'utiliser le mobilier à bon escient et avec prudence. Une mauvaise utilisation peut être à l'origine de risques d'accident ou peut endommager le mobilier et les articles ménagers. **Lire attentivement le tableau suivant.**

À surveiller :	Danger éventuel :	Solution :
<ul style="list-style-type: none"> Tablettes ou tiroirs surchargés. En cas de chargement inadéquat l'élément peut être lourd du haut. 	<ul style="list-style-type: none"> Risque de blessure. Du mobilier mal équilibré risque de se renverser. Tablettes et tiroirs surchargés risquent de casser. 	<ul style="list-style-type: none"> Ne jamais excéder les limites de poids indiquées dans les instructions. Pour charger les tablettes et tiroirs, commencer par remplir celui du bas pour finir par celui du haut. Placer les articles plus lourds sur les tablettes inférieures ou dans les tiroirs inférieurs.
<ul style="list-style-type: none"> Déplacement inadéquat d'un mobilier qui n'est pas conçu pour avoir des roulettes et n'en est pas équipé. 	<ul style="list-style-type: none"> Le mobilier risque de se renverser ou de casser en cas de déplacement inadéquat. Blessure physique. Le mobilier peut être très lourd. Défaillance des dessus surtout avec les éléments de double piédestaux (tiroirs en chaque extrémité). 	<ul style="list-style-type: none"> Décharger les tablettes et tiroirs en commençant par celui du haut avant de déplacer l'élément. Ne pas pousser le meuble, surtout sur la moquette. Se faire aider par une autre personne pour soulever l'élément et le mettre en place. Supporter la section centrale du dessus lorsque l'on soulève le meuble.
<ul style="list-style-type: none"> Il est dangereux de placer des téléviseurs sur des meubles que ne sont pas prévus à cet effet. 	<ul style="list-style-type: none"> Risque de blessures graves, voire mortelles. Les téléviseurs peuvent être particulièrement lourds. De plus, le poids et l'emplacement du tube image ont tendance à rendre les téléviseurs instables et enclins à tomber vers l'avant. 	<ul style="list-style-type: none"> Ce produit n'est pas destiné à supporter un téléviseur.

ADVERTENCIA

Por favor use el mobiliario correcta y seguramente. El mal uso puede causar riesgos de seguridad o daño a las unidades o artículos domésticos. **Cuidadosamente lea la tabla a continuación.**

Esté alerta de:	Puede ocurrir:	Evitar el problema:
<ul style="list-style-type: none">• Estantes o cajones sobrecargados.• Cargar el producto de manera inadecuada puede causar la inestabilidad.	<ul style="list-style-type: none">• Riesgo de lesiones.• El mobiliario inestable puede volcarse.• Estantes y cajones sobrecargados pueden romperse.	<ul style="list-style-type: none">• Nunca exceder los límites de peso indicados en las instrucciones.• Cargue los estantes y cajones a partir de la base y trabaje hacia arriba. Coloque los artículos más pesados sobre los estantes inferiores o en los cajones inferiores.
<ul style="list-style-type: none">• Mover incorrectamente el mobiliario que no está diseñado y provisto con ruedecitas.	<ul style="list-style-type: none">• La inclinación o rotura del mobiliario es posible si se mueve de manera inadecuada.• Lesión física. El mobiliario puede ser muy pesado.• Rotura de las superficies especialmente las unidades con dos pedestales (con cajones en cada extremo).	<ul style="list-style-type: none">• Descargue los estantes y cajones desde arriba hacia abajo antes de mover la unidad.• No empuje la unidad, especialmente sobre un piso alfombrado. Pide la ayuda de otra persona para levantar la unidad y colocarla en lugar.• Soporte la sección central del panel superior cuando levanta el mueble.
<ul style="list-style-type: none">• Es peligroso colocar los televisores sobre unidades de mobiliario que no están diseñadas para soportar un televisor.	<ul style="list-style-type: none">• Riesgo de lesiones o muerte. Los televisores pueden ser muy pesados. Además, el peso y la ubicación del tubo de imagen tienden a causar la inestabilidad de televisores y propensa a volcarse hacia adelante.	<ul style="list-style-type: none">• Este producto no está diseñado para soportar un televisor.

5-YEAR LIMITED WARRANTY

1. Sauder Woodworking Co. (Sauder®) provides limited warranty coverage to the original purchaser of this product for a period of five years from the date of purchase against defects in materials or workmanship of Sauder furniture components. As used in this Warranty, "defect" means imperfections in components which substantially impair the utility of the product. This Warranty gives you specific legal rights, and you may also have other rights which vary from state to state.

2. There is no warranty coverage for defects or conditions that result from the failure to follow product assembly instructions, information or warnings, misuse or abuse, intentional damage, fire, flood, alteration or modification of the product, or use of the product in a manner inconsistent with its intended use, nor any condition resulting from incorrect or inadequate maintenance, cleaning, or care. There is also no warranty coverage for rented products or any products purchased "used" or "as is", at a distress or going-out-of-business sale, or from a liquidator.

3. As the exclusive remedy under this Warranty, Sauder will (at its sole option) repair, replace or refund the value of any defective furniture component. Sauder may require independent confirmation of the claimed defect and proof of purchase. Replacement parts will be warranted for only the remaining period of the original Warranty. SAUDER SHALL HAVE NO LIABILITY for ANY INCIDENTAL OR CONSEQUENTIAL DAMAGES OF ANY KIND and all such damages are EXCLUDED FROM THIS WARRANTY, such as loss of use, disassembly, transportation, labor or damage to property on or near the product. Some states do not allow the exclusion or limitation of incidental or consequential damages, so the above limitation or exclusion may not apply to you.

GARANTIE LIMITÉE DE 5 ANS

1. Sauder Woodworking Co. (Sauder®) offre une couverture de garantie limitée à l'acheteur initial du présent produit pendant une période de cinq ans à compter de la date d'achat contre tout défaut de matériaux ou de fabrication des composantes de mobilier Sauder. Le mot « défaut », tel qu'il est utilisé sous les termes de la présente garantie, comprend les imperfections des pièces qui empêchent substantiellement l'utilisation du produit. La présente garantie vous donne des droits légaux spécifiques et il est possible que vous ayez des droits supplémentaires variant d'État en État ou de province en province.

2. La présente garantie ne saurait couvrir les défauts ou conditions qui surviendraient à la suite du non respect des instructions, informations ou mises en garde de montage, d'une mauvaise utilisation ou d'un abus, d'un dommage intentionnel, d'un incendie, d'une inondation, d'une altération ou modification du produit, d'une utilisation du produit allant à l'encontre de son usage prévu, ni aucune condition résultant d'une maintenance, d'un nettoyage ou d'un entretien inappropriés ou inadéquats. De plus, il n'existe aucune garantie pour les produits loués ou tous les produits achetés « d'occasion » ou « en l'état », dans le cadre d'une vente aux enchères ou de solde pour cessation de commerce, ou auprès d'un liquidateur.

3. En tant que recours exclusif en vertu de la présente garantie, Sauder réparera, remplacera ou remboursera (sur sa seule décision) la valeur de toute composante de mobilier défectueuse. Sauder peut exiger une confirmation indépendante du défaut revendiqué ainsi qu'une preuve d'achat. Les pièces de rechange seront garanties uniquement pendant la période restante de la garantie originale. SAUDER NE SERA EN AUCUN CAS RESPONSABLE DE TOUT DOMMAGE ACCESSOIRE OU CONSÉCUTIF DE TOUTE SORTE et lesdits dommages sont EXCLUS DE LA PRÉSENTE GARANTIE, à savoir perte d'utilisation, démontage, transport, main d'œuvre ou dommages matériels sur ou à proximité du produit. Certains États ou provinces ne permettant pas l'exclusion ou la limite aux responsabilités pour dommages accidentels ou consécutifs, la limite ou l'exclusion ci-dessus peut ne pas être applicable.

GARANTÍA LIMITADA DE 5 AÑOS

1. Sauder Woodworking Co. (Sauder®) provee cobertura de garantía limitada al comprador original de este producto por un período de cinco años, a partir de la fecha de compra, contra defectos en los materiales o de mano de obra en los componentes de muebles Sauder. Como es utilizado en esta Garantía, "defecto" significa imperfecciones en los componentes que de manera fundamental afecta la utilidad del producto. Esta Garantía le permite a usted ciertos derechos legales, y usted también podría poseer otros derechos adicionales, los cuales varían de estado a estado.

2. No hay cobertura de garantía para defectos o estados que resulten del incumplimiento en seguir las instrucciones, la información o las advertencias sobre el ensamblaje del producto; del uso incorrecto o maltrato, del daño intencional, incendio, inundación, cambio o modificación del producto; o de la utilización del producto de manera contradictoria con el uso para el cual fue fabricado, ni por ningún estado que resulte del mantenimiento, limpieza o cuidado incorrecto o inadecuado. Tampoco no hay cobertura de garantía para los productos rentados o para cualesquiera productos comprados "de uso" o "como está", en una venta de bienes embargados o en una venta por salirse del negocio, o comprados a un liquidador.

3. Como un recurso exclusivo bajo esta Garantía, Sauder (sólo a su opción) reparará, reemplazará o reembolsará el valor de cualquier componente defectuoso de mueble. Sauder puede requerir una confirmación independiente de un defecto reclamado y una prueba de compra. Las piezas de repuesto serán garantizadas solamente por el período de tiempo que queda de la Garantía original. SAUDER NO TENDRÁ RESPONSABILIDAD por NINGÚN DAÑO INCIDENTAL O CONSECUENTE DE NINGÚN TIPO y todos dichos daños SE EXCLUYEN DE ESTA GARANTÍA, tales como pérdida de uso, desensamblaje, transportación, trabajo o daño a la propiedad en o cerca del producto. Algunos estados no permiten la exclusión o limitación de daños incidentales o consecuentes, en tales instancias la limitación o exclusión antes mencionada podría no ser aplicable a usted.

4. This Warranty applies only to warranted defects that first arise and are reported to Sauder within the warranty coverage period. The Warranty cannot be transferred to subsequent owners or users of the product, and it shall be immediately void in the event the product is resold, transferred, leased or rented to any third party or person other than the original purchaser.

5. THERE ARE NO OTHER WARRANTIES APPLICABLE TO THIS PRODUCT. Under the laws of certain states, there may be no implied warranties from Sauder and all implied warranties, INCLUDING ANY IMPLIED WARRANTY OF MERCHANTABILITY OR FITNESS FOR A PARTICULAR PURPOSE are disclaimed where allowed by law. TO THE EXTENT ANY IMPLIED WARRANTIES ARE APPLICABLE, ANY IMPLIED WARRANTIES, INCLUDING ANY IMPLIED WARRANTY OF MERCHANTABILITY OR FITNESS FOR A PARTICULAR PURPOSE, ARE LIMITED IN DURATION TO THE DURATION OF THIS EXPRESS WARRANTY or the minimum period allowed by law, whichever is shorter. Some states do not allow limitations on how long an implied Warranty lasts, so the above limitation may not apply to you.

6. For Warranty inquiries or claims, please visit our website www.sauder.com. You can also contact Sauder at 1.800.445.1527. Sauder may require Warranty claims to be submitted in writing to: Sauder Woodworking Co., 502 Middle Street, Archbold, OH 43502 USA. Please include your sales receipt or other proof of purchase and a specific description of the product defect.

4. La présente garantie ne s'applique qu'aux défauts garantis qui se produisent pour la première fois et qui sont signalés à Sauder dans les limites de couverture de la garantie. La garantie ne peut pas être transférée à des propriétaires ou utilisateurs subséquents du produit, et sera immédiatement invalidée dans le cas où le produit est revendu, transféré, loué sous bail ou loué à une tierce partie ou personne autre que l'acheteur original.

5. IL N'EXISTE AUCUNE AUTRE GARANTIE EN VIGUEUR POUR LE PRÉSENT PRODUIT. En vertu des lois de certains États ou provinces, il ne peut y avoir de garanties implicites de la part de Sauder et toutes les garanties implicites, Y COMPRIS TOUTE GARANTIE IMPLICITE DE COMMERCIALITÉ OU D'ADAPTATION À UN USAGE PARTICULIER sont déclinées partout où la loi l'autorise. DANS LA MESURE OÙ TOUTE GARANTIE IMPLICITE EST APPLICABLE, TOUTE GARANTIE IMPLICITE, Y COMPRIS TOUTE GARANTIE DE COMMERCIALITÉ OU D'ADAPTATION À UN USAGE PARTICULIER, EST LIMITÉE À LA DURÉE DE LA PRÉSENTE GARANTIE EXPRESSE ou à la période minimum autorisée par la loi, la période la plus courte étant retenue. Certains États ne permettant pas que des limites soient imposées quant à la durée d'une garantie implicite, la limite ci-dessus peut donc ne pas être applicable.

6. Pour toute question concernant la garantie ou toute demande de réclamation, consulter le site Web www.sauder.com. Il est également possible de contacter Sauder en composant le 1.800.445.1527. Sauder peut exiger de soumettre les demandes de réclamation sous garantie par écrit à : Sauder Woodworking Co., 502 Middle Street, Archbold, OH 43502 USA. Veuillez joindre votre ticket de caisse ou toute autre preuve d'achat ainsi qu'une description spécifique du défaut de produit.

4. Esta Garantía sólo es aplicable a defectos garantizados que primeramente surjan y se informen a Sauder dentro del período de cobertura de garantía. La Garantía no puede ser transferida a propietarios o usuarios subsiguientes del producto, y ésta será inmediatamente invalidada en el caso que el producto sea revendido, transferido, arrendado o rentado a cualquier tercero u otra persona que no sea el comprador original.

5. NO HAY OTRA GARANTÍA APLICABLE A ESTE PRODUCTO. Bajo las leyes de ciertos estados, pueden no haber garantías implícitas de Sauder y se hace renuncia de responsabilidad de todas las garantías implícitas donde lo permita la ley, INCLUYENDO CUALQUIER GARANTÍA IMPLÍCITA DE MERCANTIBILIDAD O DE APTITUD PARA UN PROPÓSITO EN PARTICULAR. EN LA MEDIDA CUALQUIER GARANTÍA IMPLÍCITA ES APLICABLE, CUALESQUIERA GARANTÍAS IMPLÍCITAS, INCLUYENDO AQUELLA DE MERCANTIBILIDAD O DE APTITUD PARA UN PROPÓSITO EN PARTICULAR, SE LIMITAN EN DURACIÓN HASTA LA DURACIÓN DE ESTA GARANTÍA IMPLÍCITA o hasta el período mínimo permitido por la ley, la que sea más corta. Algunos estados no permiten limitaciones en cuanto a la duración de una garantía implícita, por eso la limitación arriba citada pueda no ser aplicable a usted.

6. Para solicitud de información o reclamación de Garantía, por favor, visite nuestro sitio Web www.sauder.com. Usted también puede contactar a Sauder llamando al 1.800.445.1527. Sauder puede solicitar que las reclamaciones sean presentadas por escrito a: Sauder Woodworking Co., 502 Middle Street, Archbold, OH 43502 USA. Por favor incluya su recibo de venta u otra prueba de compra y una descripción detallada del defecto del producto.

CONTACT US FIRST BEFORE MAKING ANY RETURNS TO THE RETAILER.

Dear Valued Customer:

Thanks so much for choosing Sauder® furniture. I hope the purchase and assembly process was a positive experience and you feel good about the furniture you just built.

My grandfather, Erie Sauder, founded the company in 1934 and later invented and patented the first commercially successful ready-to-assemble tables. We strive to hold true to his core values of innovation, integrity, servanthood and stewardship.

Sauder products are made with environmentally responsible materials and world-class manufacturing processes. Our 2,000+ dedicated employees in Archbold, Ohio, along with our global manufacturing partners, are committed to providing you furniture with great value, style and quality.

From our family to you. Enjoy!



Kevin J. Sauder
President/CEO



Register your new product online

For immediate service, our website is available 24 hours per day, 7 days per week, to order replacement parts, access assembly tips, register your product and view Sauder products.
www.sauder.com/service

So, how did it go?

Set a world record for speed?
Feeling good about yourself?
Nice. Get social with it on any of these quality share sites.



If you need assistance or want to learn more, please contact our award-winning, Ohio-based customer service team at **1-800-445-1527** Monday-Friday - 9 a.m. to 5:30 p.m. EST (except holidays) or at sauder.com/service.



And don't forget to rate and review your piece at Sauder.com in the product detail page.



General Conformity Certificate

1. This certificate applies to the Sauder Global Sourcing Product identified by this Instruction Book.
2. This certificate applies to compliance of this product with the CPSC Ban on Lead-Containing Paint (16 CFR 1303).
3. This product is manufactured for:
Sauder Woodworking Company
502 Middle St.
Archbold, OH 43502
419-446-2711
4. Date of Manufacture: _____