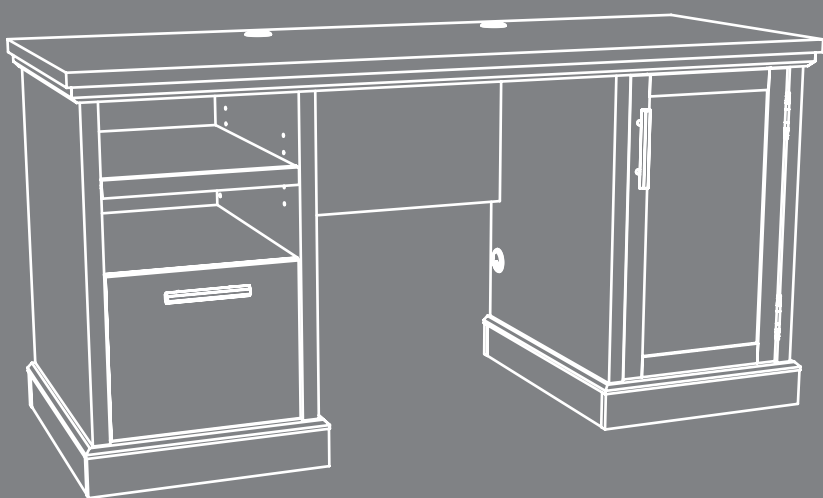


CONTACT US FIRST BEFORE MAKING ANY RETURNS TO THE RETAILER.

Visit [sauder.com/service](https://www.sauder.com/service) to order replacement parts, view video assembly tips, or chat with a live rep.
Prefer the phone? Give us a ring at 1-800-523-3987.

Customer Service is available Monday-Friday - 9 a.m. to 5:30 p.m. EST (except holidays)



For **all** your
newfangled **gadgetry**.

Computer Desk

Aspen Post Collection | **Model 427030**

Sauder.com

Share your journey!



NOTE: THIS INSTRUCTION
BOOKLET CONTAINS **IMPORTANT**
SAFETY INFORMATION.

PLEASE READ AND KEEP FOR
FUTURE REFERENCE.

English pg 1-37
Français pg 38-42
Español pg 43-47

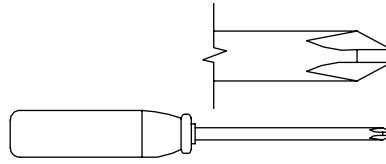
Lot # **545207**
Purchased: _____

09/02/20

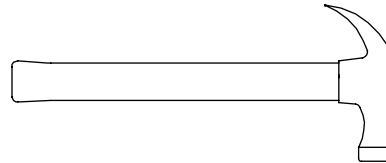
Table of Contents

Assembly Tools Required

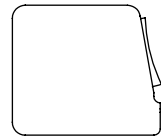
Part Identification	2-3
Hardware Identification	4-5
Hardware Usage Guide	9
Assembly Steps	6-37
Français	38-42
Español	43-47
Safety	48-50
Warranty	51



No. 2 Phillips Screwdriver
Tip Shown Actual Size



Hammer
Not actual size 😊



Tape Measure

Part Identification

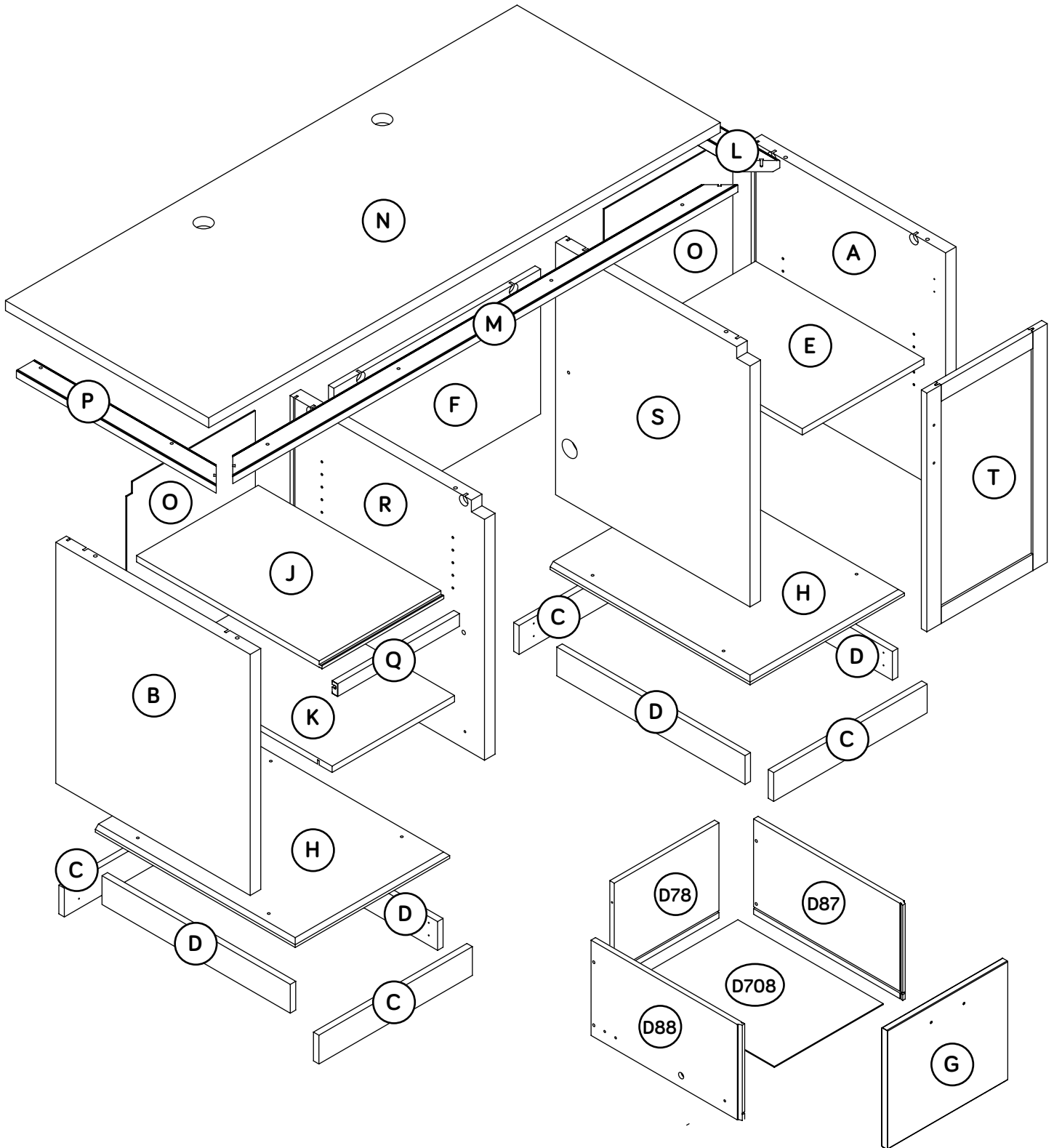
Now you know
our ABCs.



⚠ While not all parts are labeled, some of the parts will have a label or an inked letter on the edge to help distinguish similar parts from each other. Use this part identification to help identify similar parts.

A	RIGHT END (1)	E	ADJUSTABLE SHELF (1)	N	TOP (1)
B	LEFT END (1)	F	MODESTY PANEL (1)	O	BACK (2)
C	SMALL SKIRT (4)	G	DRAWER FRONT (1)	P	LEFT TOP MOLDING (1)
D	LARGE SKIRT (4)	H	BOTTOM (2)	Q	SHELF MOLDING (1)
D78	DRAWER BACK (1)	J	UPPER ADJUSTABLE SHELF (1)	R	LEFT UPRIGHT (1)
D87	RIGHT DRAWER SIDE (1)	K	FIXED SHELF (1)	S	RIGHT UPRIGHT (1)
D88	LEFT DRAWER SIDE (1)	L	RIGHT TOP MOLDING (1)	T	DOOR (1)
D708	DRAWER BOTTOM (1)	M	FRONT TOP MOLDING (1)		

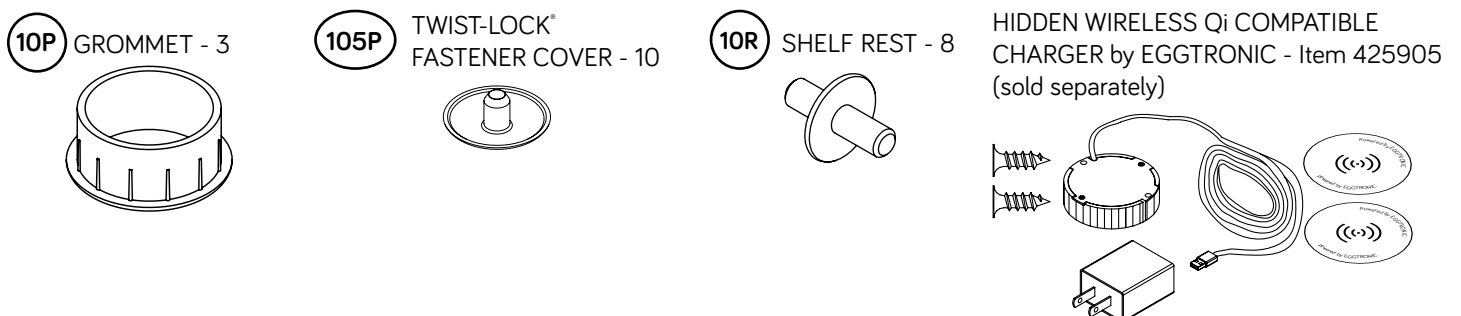
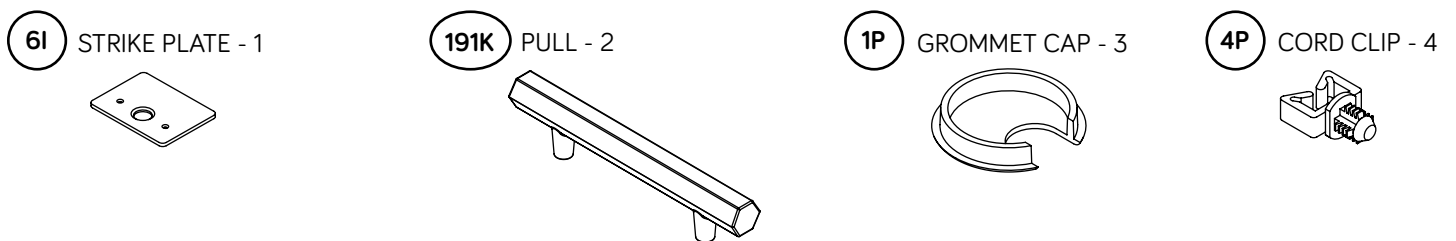
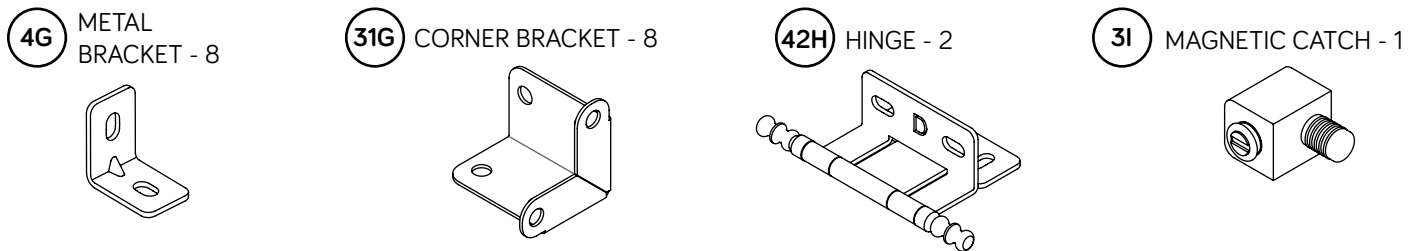
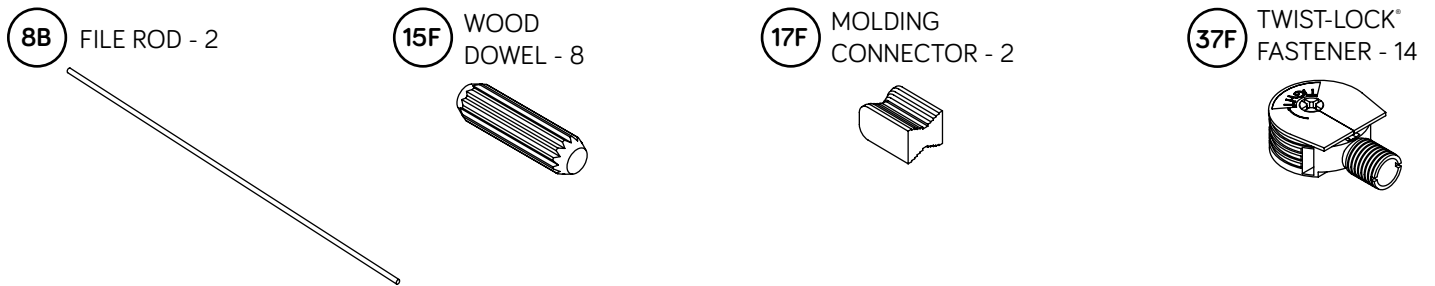
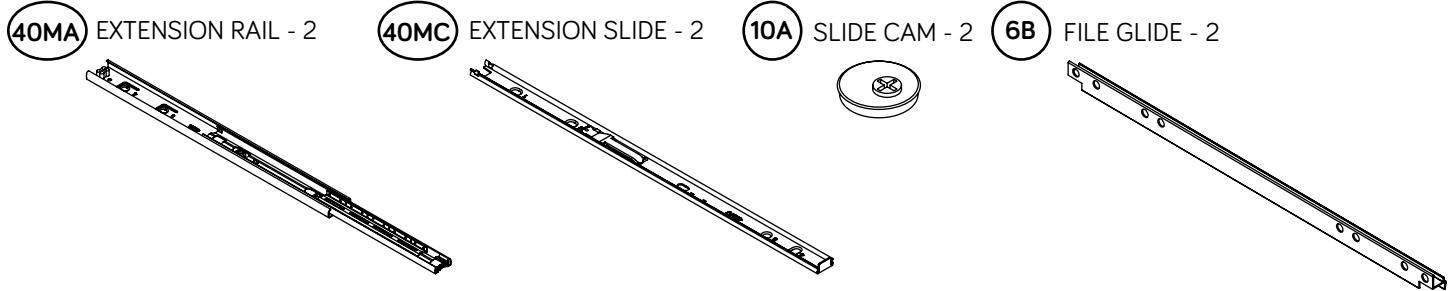
Part Identification



Hardware Identification

† Screws are shown actual size. You may receive extra hardware with your unit.

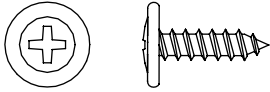
(EXTENSION SET SHOWN SEPARATED)



Hardware Identification

† Screws are shown actual size. You may receive extra hardware with your unit.

1S BLACK 9/16" LARGE HEAD SCREW - 72



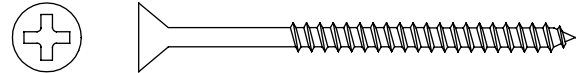
3S GOLD 5/16" FLAT HEAD SCREW - 8



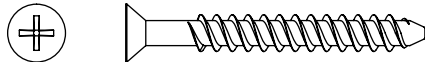
11S BLACK 1/2" FLAT HEAD SCREW - 1



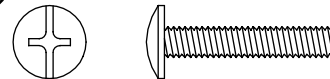
26S BLACK 2-1/4" FLAT HEAD SCREW - 4



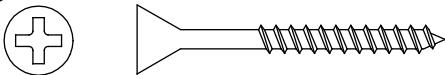
30S BLACK 1-9/16" FLAT HEAD SCREW - 4



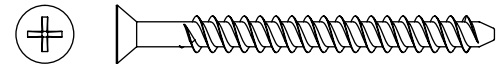
37S BLACK 7/8" MACHINE SCREW - 4



55S BROWN 1-5/8" FLAT HEAD SCREW - 8



113S BLACK 1-15/16" FLAT HEAD SCREW - 8



Step 1

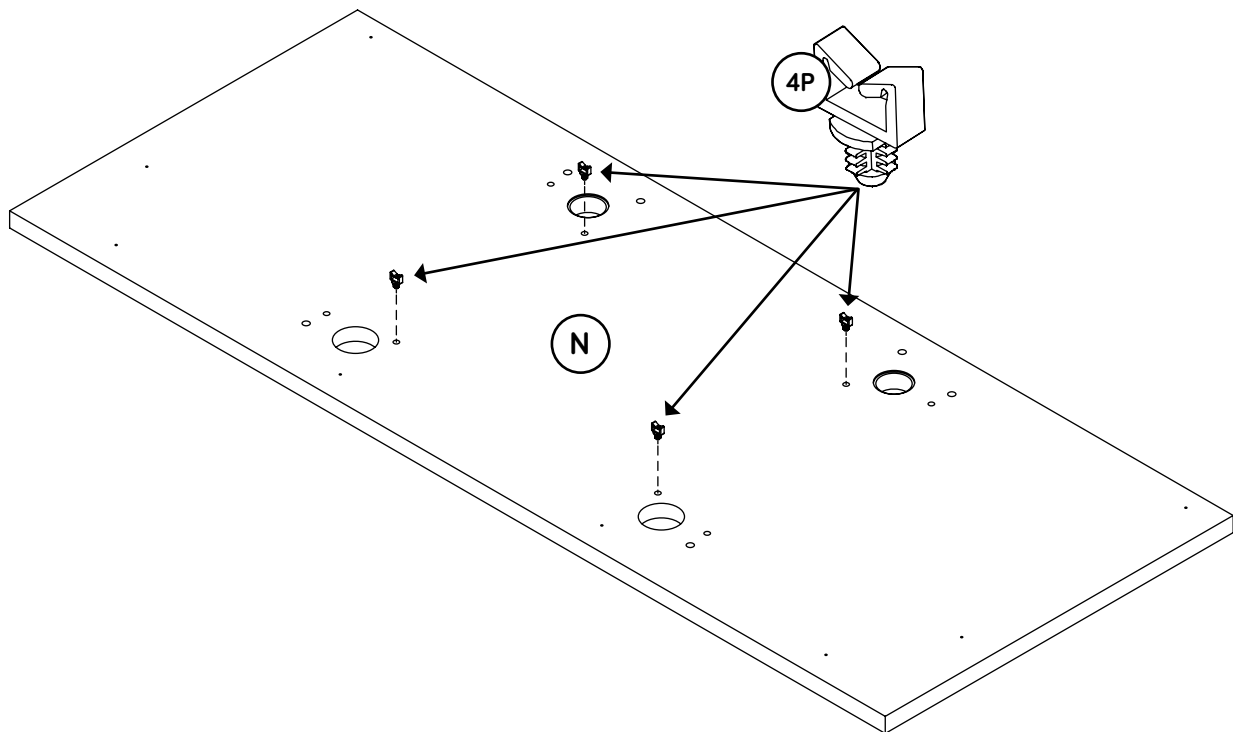
Look for this icon. It means a video assembly tip is available at www.sauder.com/service/tips
Find the numbered video or scan the QR code.



- 🔌 Assemble your unit on a carpeted floor or on the empty carton to avoid scratching your unit or the floor.
- 🔌 Push four CORD CLIPS (4P) into the holes in the TOP (N).
- 🔌 NOTE: The CORD CLIPS are used to hold electric cords to the TOP.

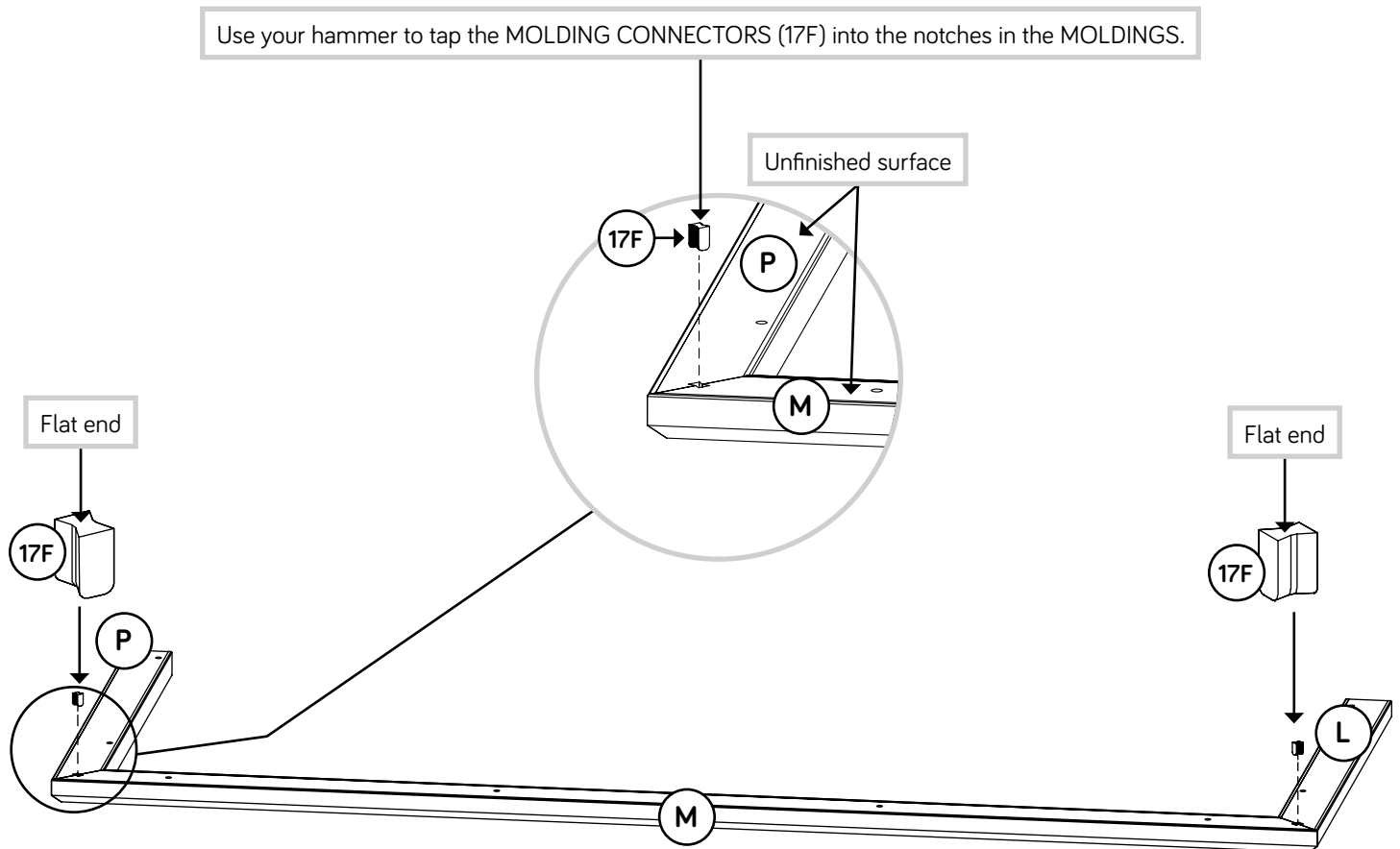


Just think. The sooner you do this, the sooner you do something else.



Step 2

- Tap two MOLDING CONNECTORS (17F) into the notches in the MOLDINGS (L, M, and P).

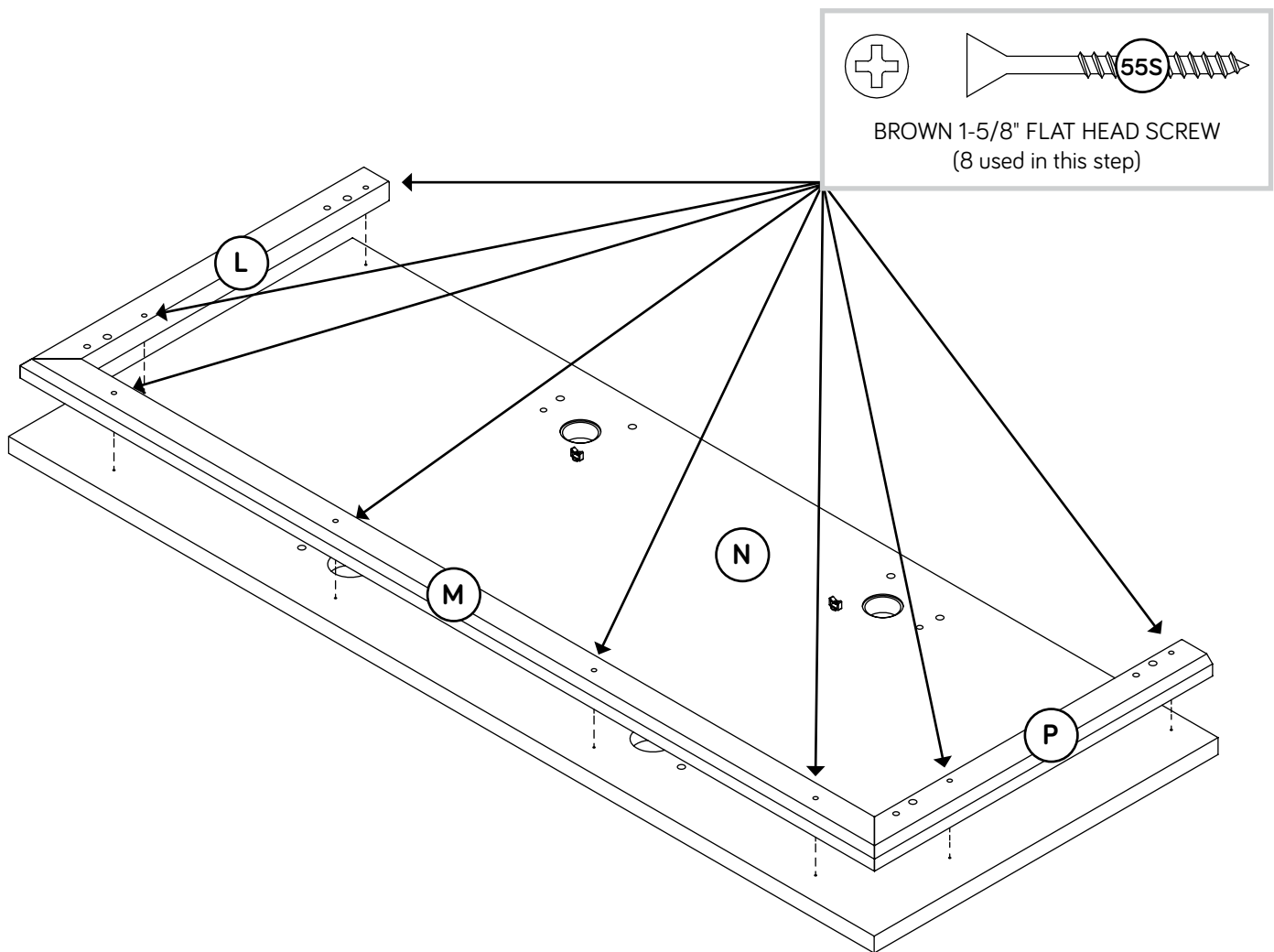


Step 3

✚ Carefully flip the MOLDINGS (L, M and P) over, and fasten them to the TOP (N). Use eight BROWN 1-5/8" FLAT HEAD SCREWS (55S).

✚ NOTE: Start each SCREW a few turns before completely tightening any of them.

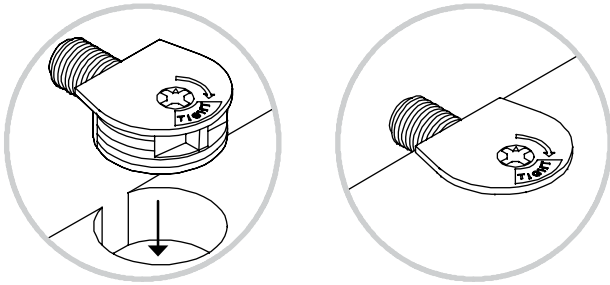
✚ NOTE: Do not overtighten the SCREWS into the TOP.



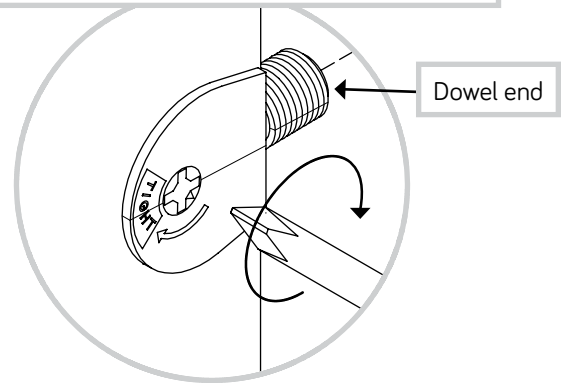
Hardware Usage Guide

HOW TO USE A TWIST-LOCK® FASTENER

1. Push a TWIST-LOCK® FASTENER into the large hole in the part.



2. 1. Insert the dowel end of the FASTENER into the hole of the adjoining part.
NOTE: The dowel end of the FASTENER must remain fully inserted in the hole of the adjoining part while locking the FASTENER.
2. Tighten the FASTENER with a Phillips screwdriver as tight as possible.

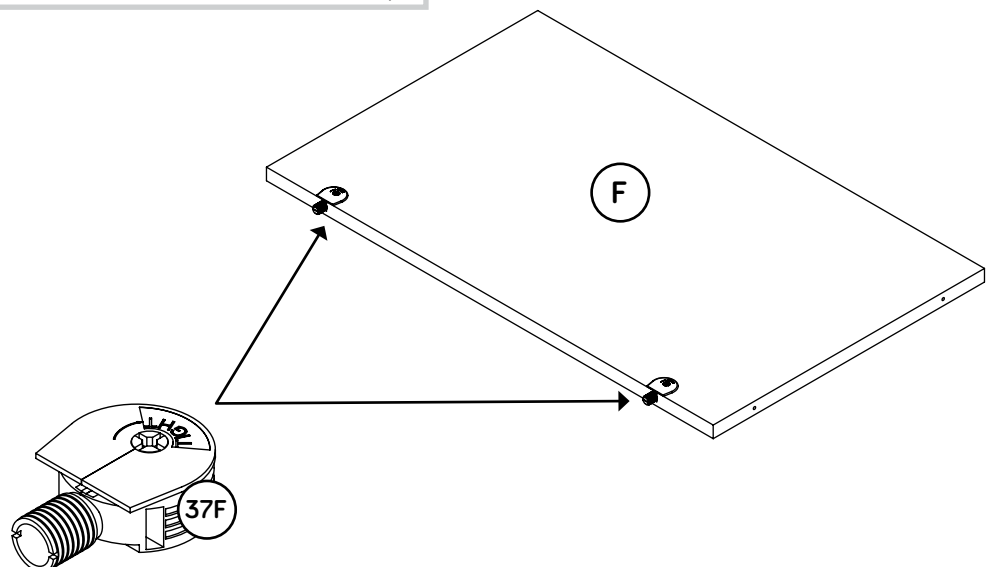


Step 4



- Push two SAUDER TWIST-LOCK® FASTENERS (37F) into the large holes in the MODESTY PANEL (F).

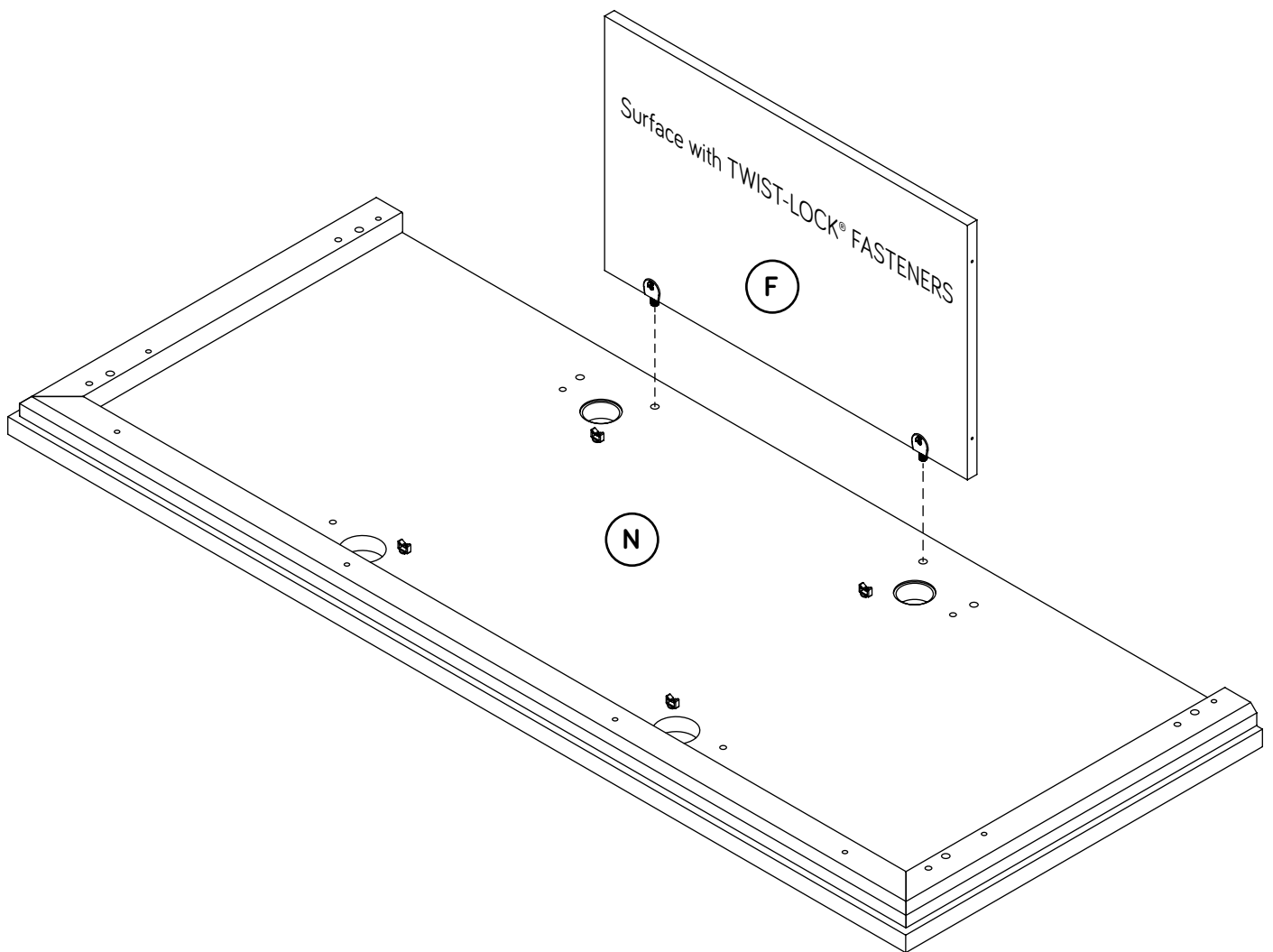
Do not tighten the TWIST-LOCK® FASTENERS in this step.



Step 5



- Fasten the MODESTY PANEL (F) to the TOP (N).
Tighten two TWIST-LOCK® FASTENERS.

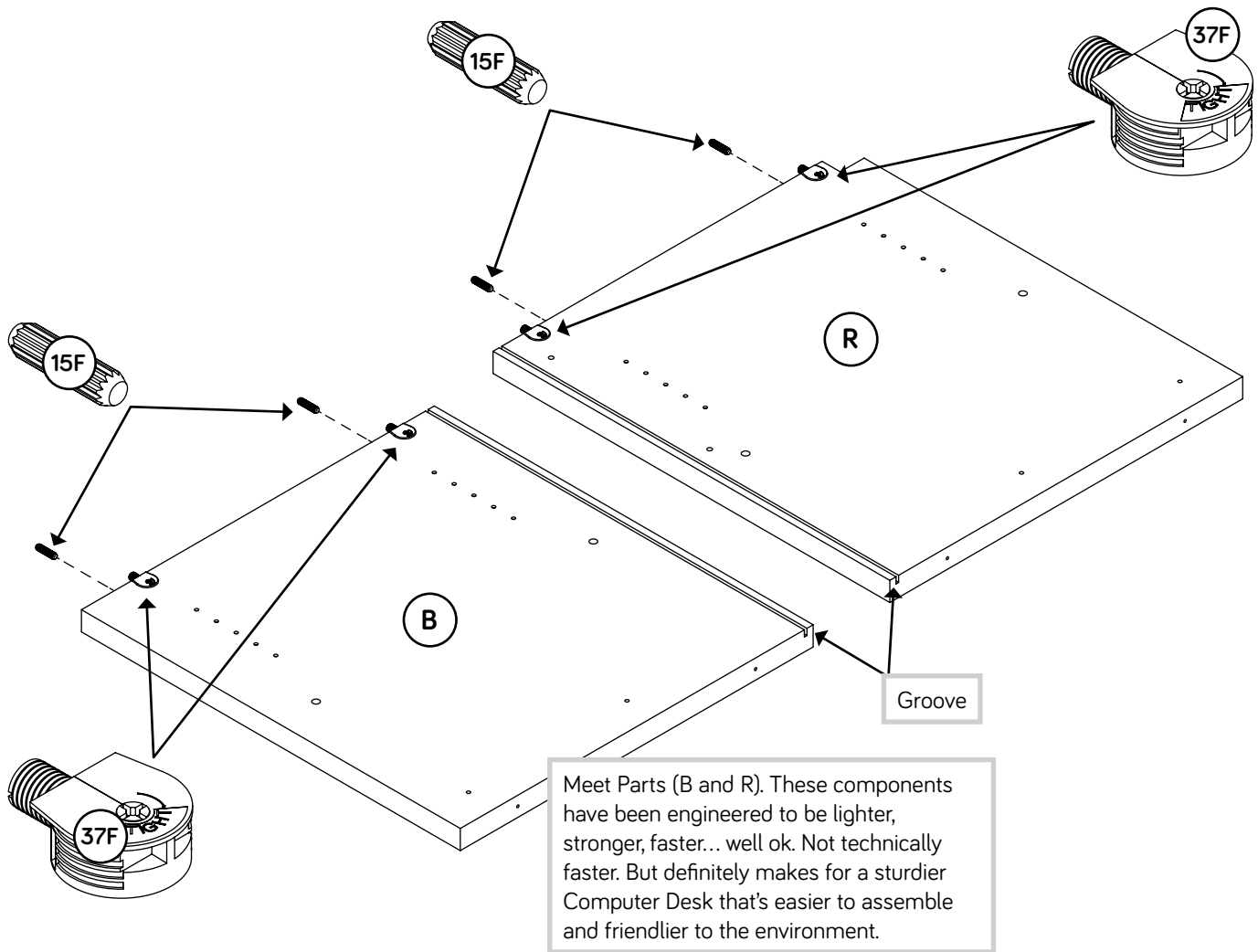


Step 6



- ✚ Push four SAUDER TWIST-LOCK® FASTENERS (37F) into the large holes in the LEFT END (B) and LEFT UPRIGHT (R).
- ✚ Insert four WOOD DOWELS (15F) into the LEFT END (B) and LEFT UPRIGHT (R).

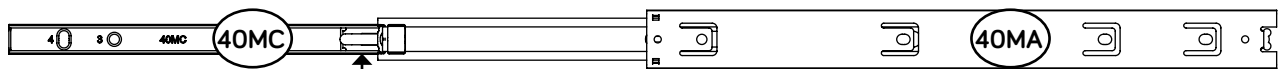
Do not tighten the TWIST-LOCK® FASTENERS in this step.



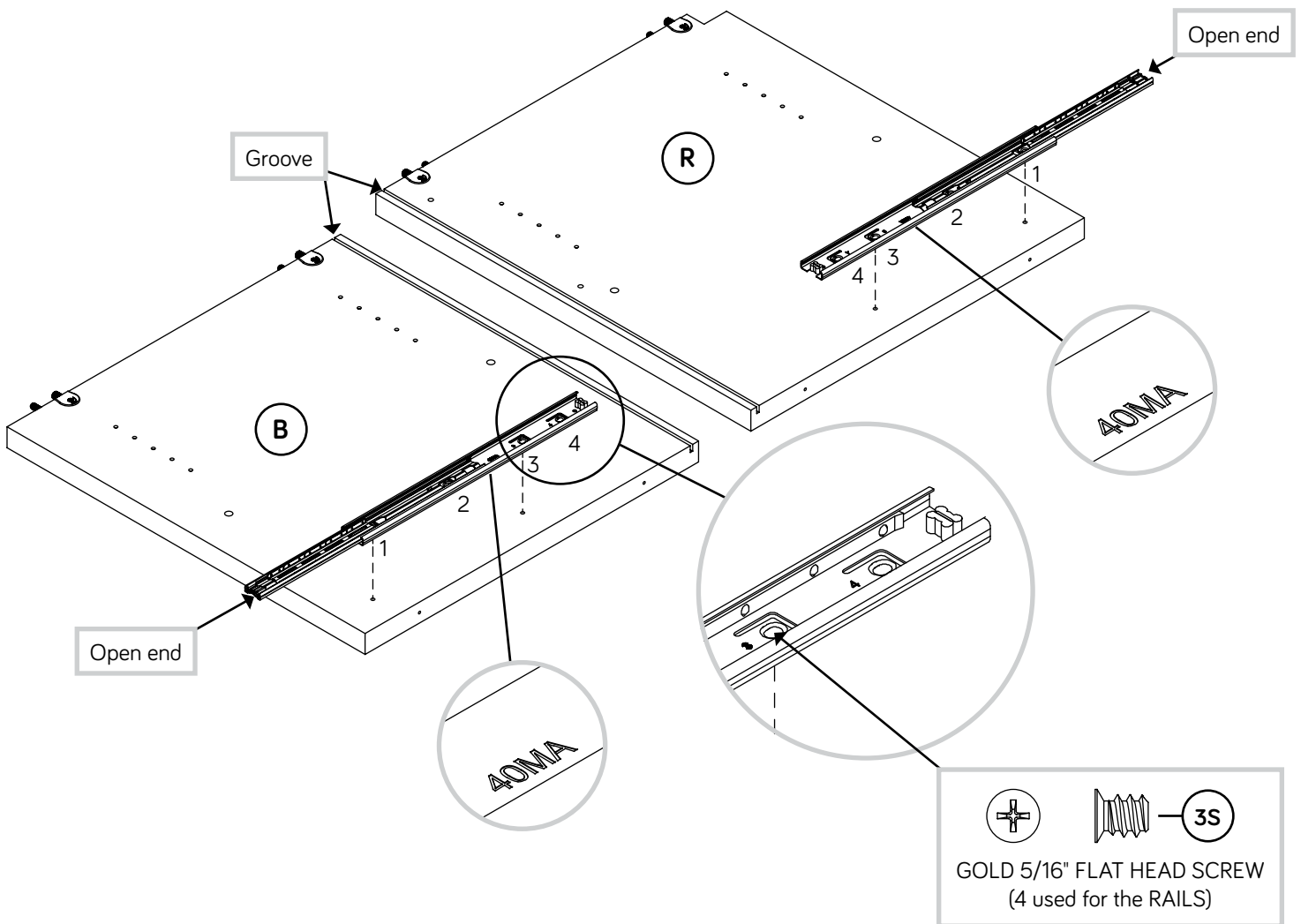
Step 7



- ✚ Separate the EXTENSION SLIDES (40MC) from the EXTENSION RAILS (40MA) as shown in the upper diagram below. Be prepared, the parts are greasy.
- ✚ Fasten the EXTENSION RAILS (40MA) to the LEFT END (B) and LEFT UPRIGHT (R). Use four GOLD 5/16" FLAT HEAD SCREWS (3S) through holes #1 and #3.
- ✚ NOTE: For each EXTENSION RAIL, turn a SCREW into the hole shown in the enlarged diagram. Then, slide the inner cartridge of the EXTENSION RAIL in to find the other hole that lines up with the hole in the END and UPRIGHT. Turn a SCREW into this hole.
- ✚ NOTE: The EXTENSION SLIDES will be used later for the DRAWER.



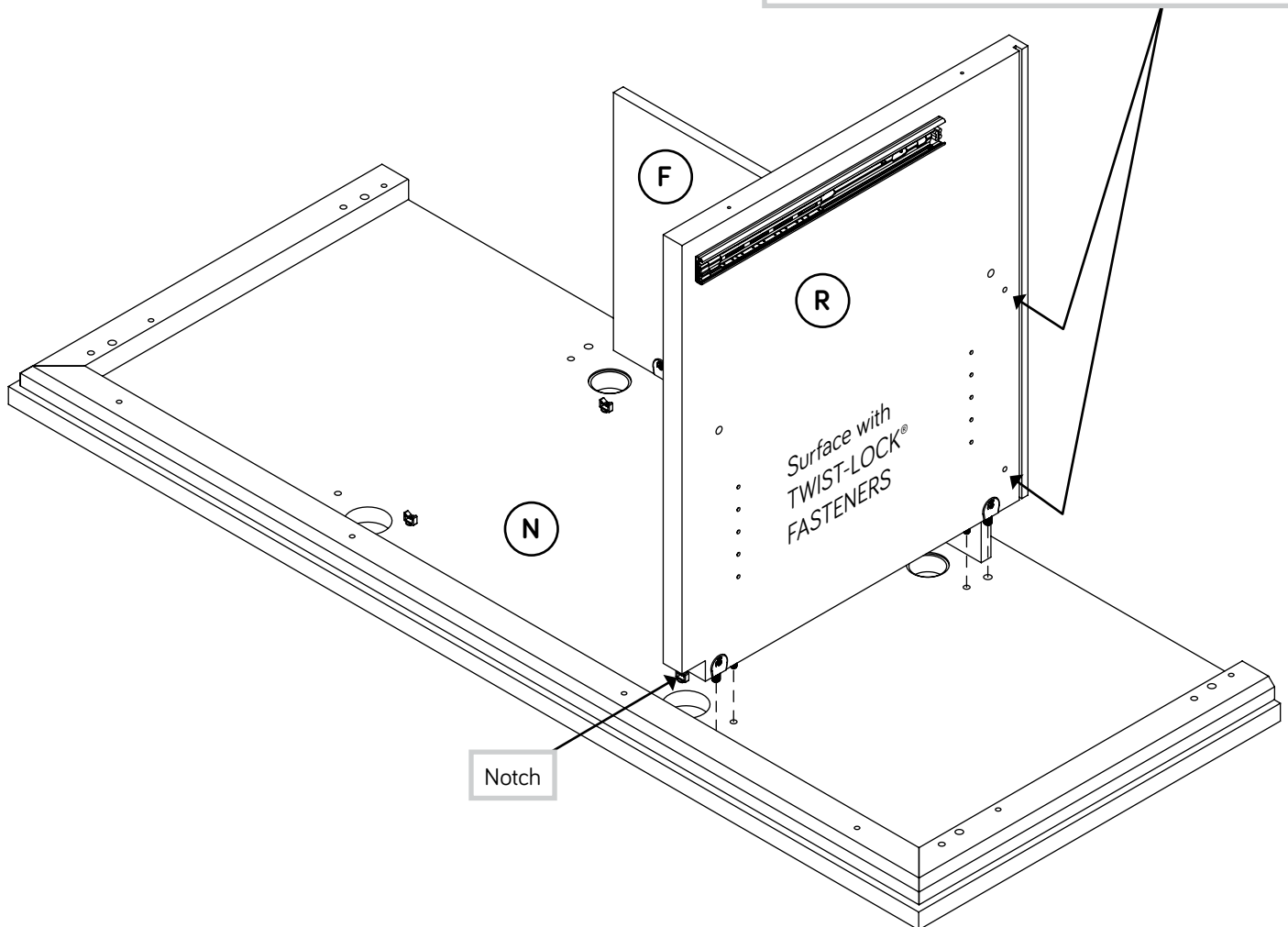
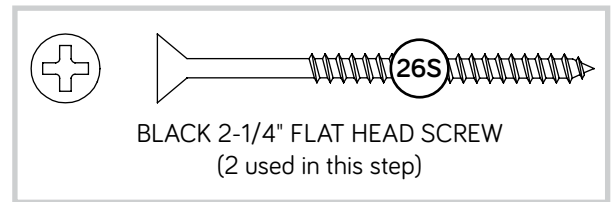
Push the black lever in and pull the SLIDE from the RAIL.



Step 8



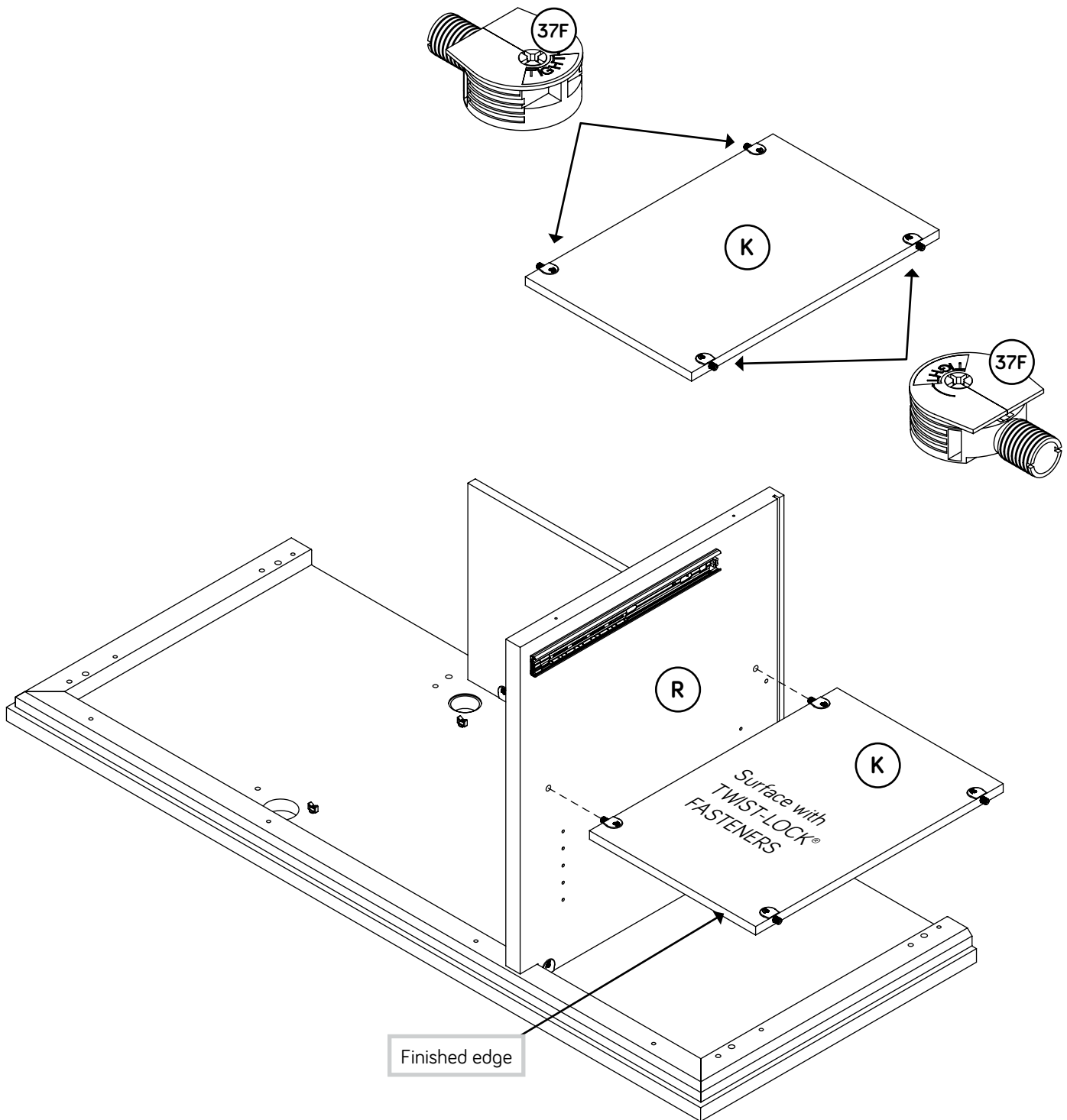
- ✚ Fasten the LEFT UPRIGHT (R) to the TOP (N). Tighten two TWIST-LOCK® FASTENERS.
- ✚ NOTE: Be sure the WOOD DOWELS in the LEFT UPRIGHT insert into the TOP.
- ✚ Fasten the LEFT UPRIGHT (R) to the MODESTY PANEL (F). Use two BLACK 2-1/4" FLAT HEAD SCREWS (26S).



Step 9



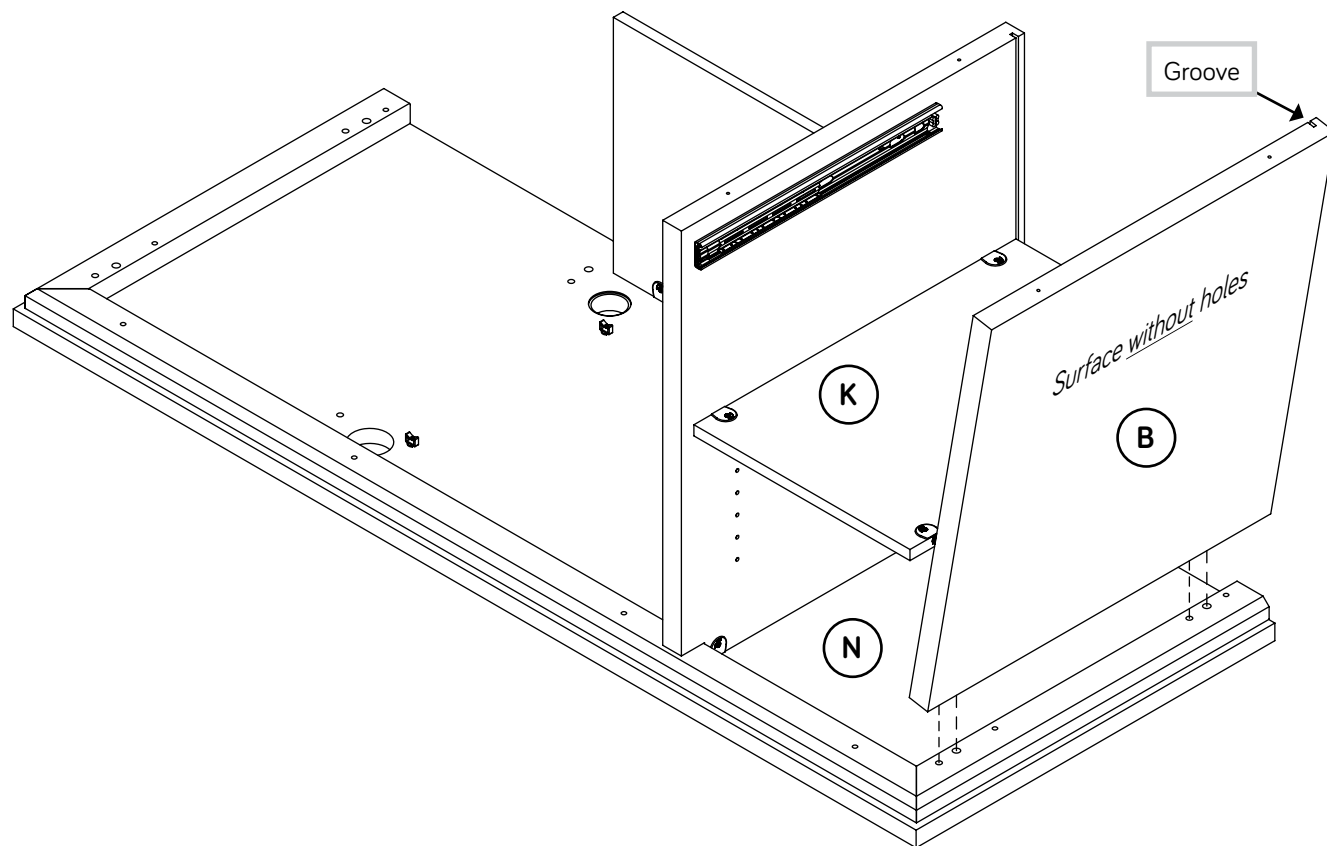
- ✦ Push four SAUDER TWIST-LOCK® FASTENERS (37F) into the large holes in the FIXED SHELF (K).
- ✦ Fasten the FIXED SHELF (K) to the LEFT UPRIGHT (R). Tighten two TWIST-LOCK® FASTENERS.



Step 10



- ✚ Fasten the LEFT END (B) to the FIXED SHELF (K) and TOP (N). Tighten four TWIST-LOCK® FASTENERS.
- ✚ NOTE: Be sure the WOOD DOWELS in the LEFT END insert into the LEFT TOP MOLDING.



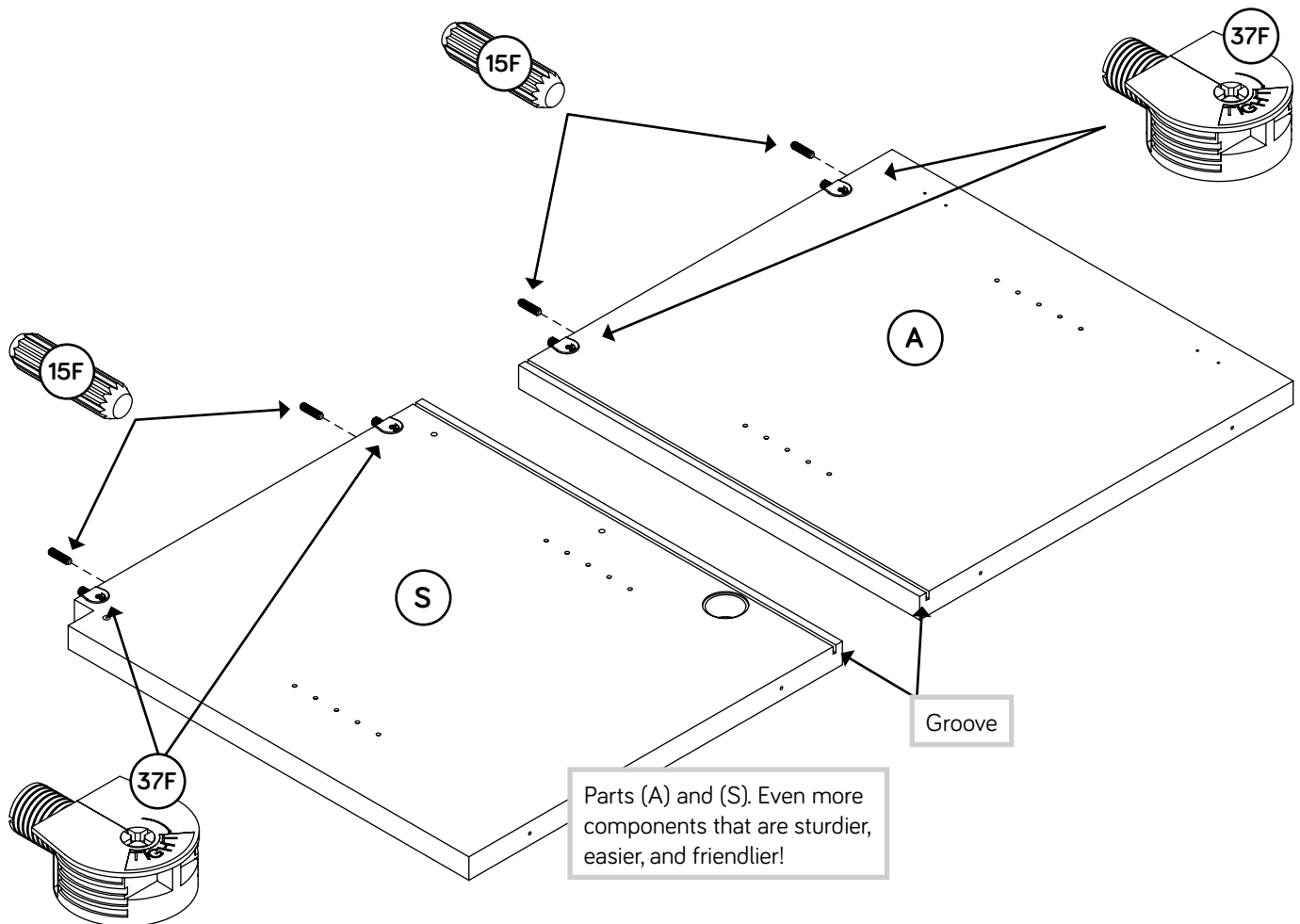
Step 11

2



- ✚ Push four SAUDER TWIST-LOCK® FASTENERS (37F) into the large holes in the RIGHT END (A) and RIGHT UPRIGHT (S).
- ✚ Insert four WOOD DOWELS (15F) into the RIGHT END (A) and RIGHT UPRIGHT (S).

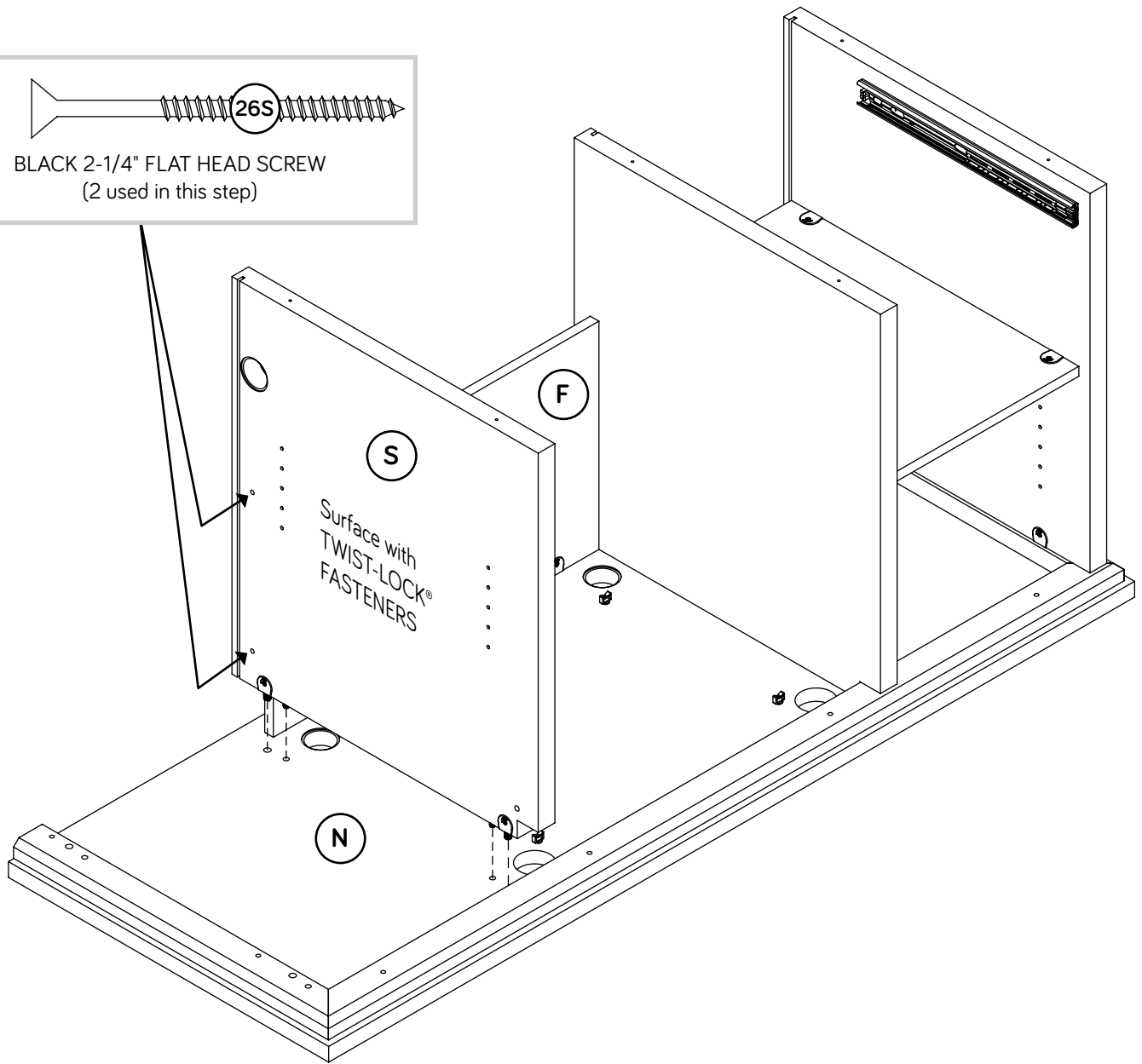
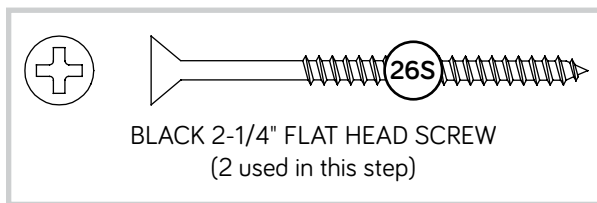
Do not tighten the TWIST-LOCK® FASTENERS in this step.



Step 12



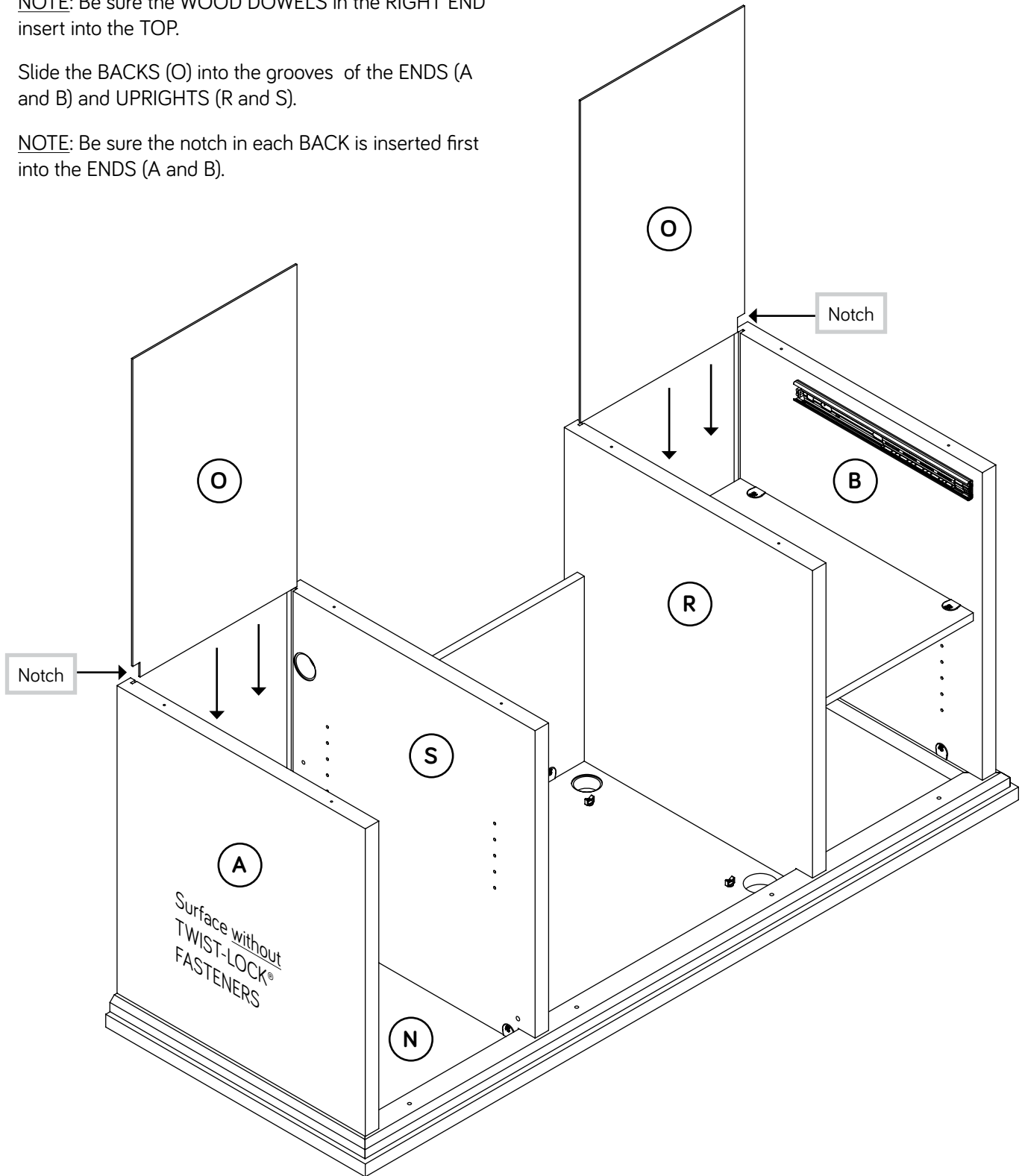
- ✚ Fasten the RIGHT UPRIGHT (S) to the TOP (N). Tighten two TWIST-LOCK® FASTENERS.
- ✚ **NOTE:** Be sure the WOOD DOWELS in the RIGHT UPRIGHT insert into the TOP.
- ✚ Fasten the RIGHT UPRIGHT (S) to the MODESTY PANEL (F). Use two BLACK 2-1/4" FLAT HEAD SCREWS (26S).



Step 13

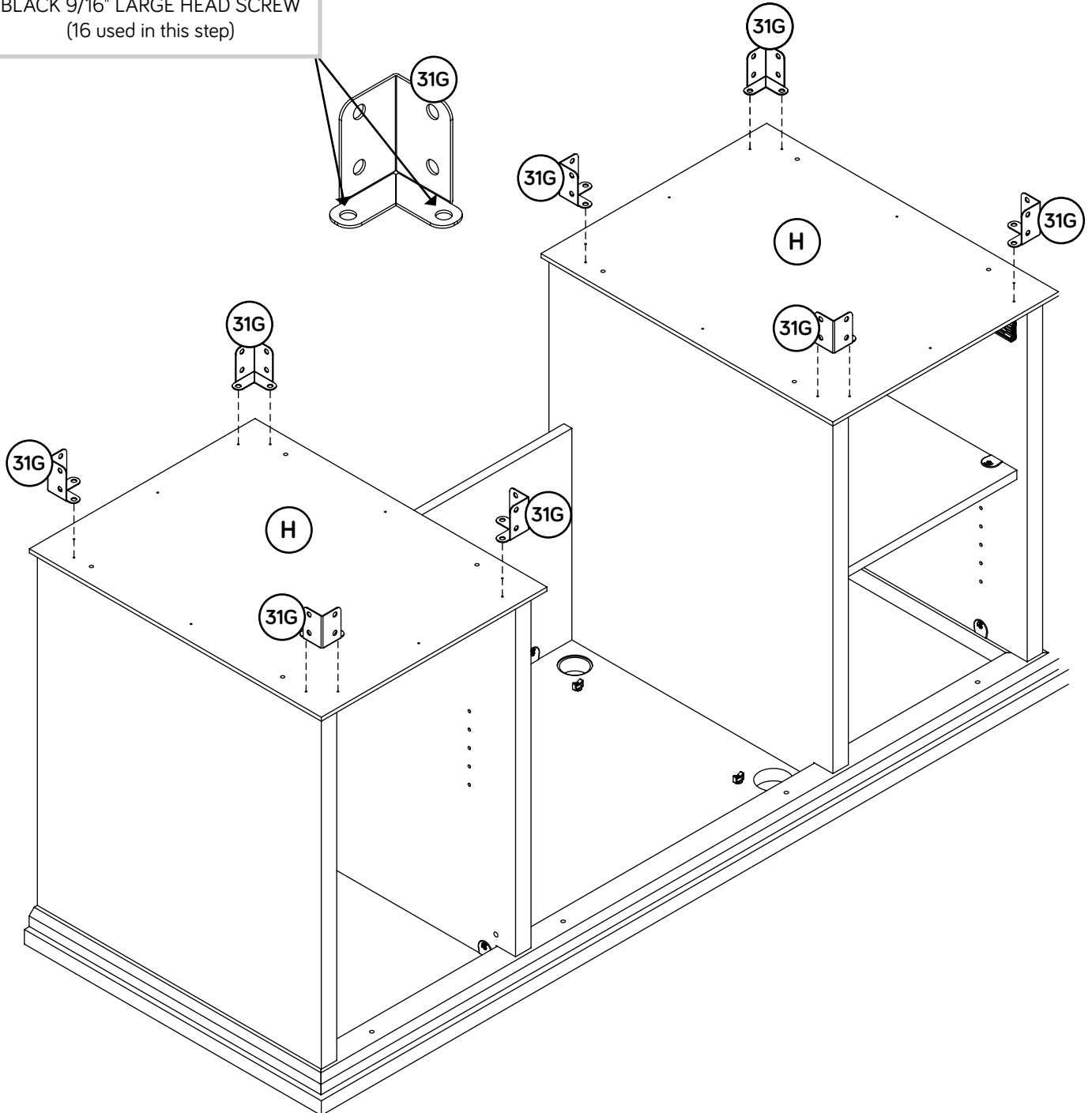
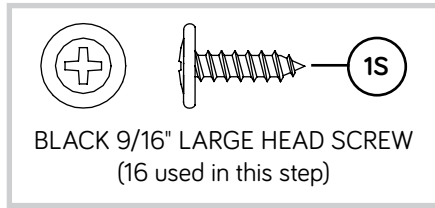


- ✚ Fasten the RIGHT END (A) to the TOP (N). Tighten two TWIST-LOCK® FASTENERS.
- ✚ **NOTE:** Be sure the WOOD DOWELS in the RIGHT END insert into the TOP.
- ✚ Slide the BACKS (O) into the grooves of the ENDS (A and B) and UPRIGHTS (R and S).
- ✚ **NOTE:** Be sure the notch in each BACK is inserted first into the ENDS (A and B).



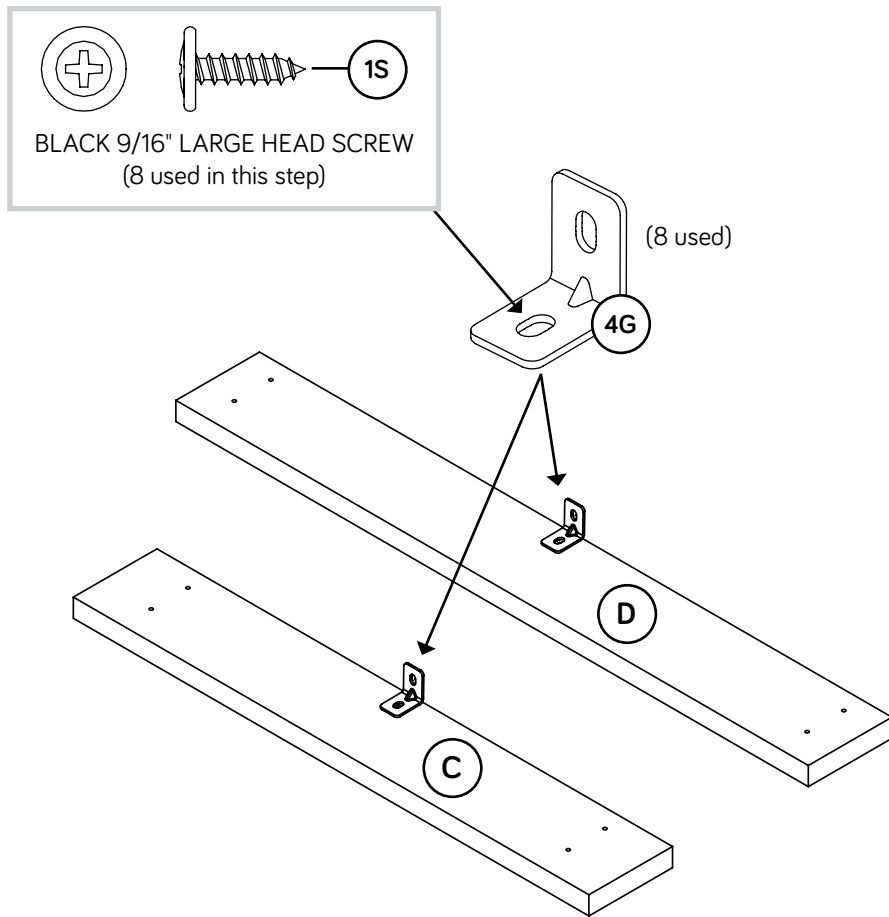
Step 15

- Fasten eight CORNER BRACKETS (31G) to the BOTTOMS (H) exactly as shown. Use sixteen BLACK 9/16" LARGE HEAD SCREWS (1S).



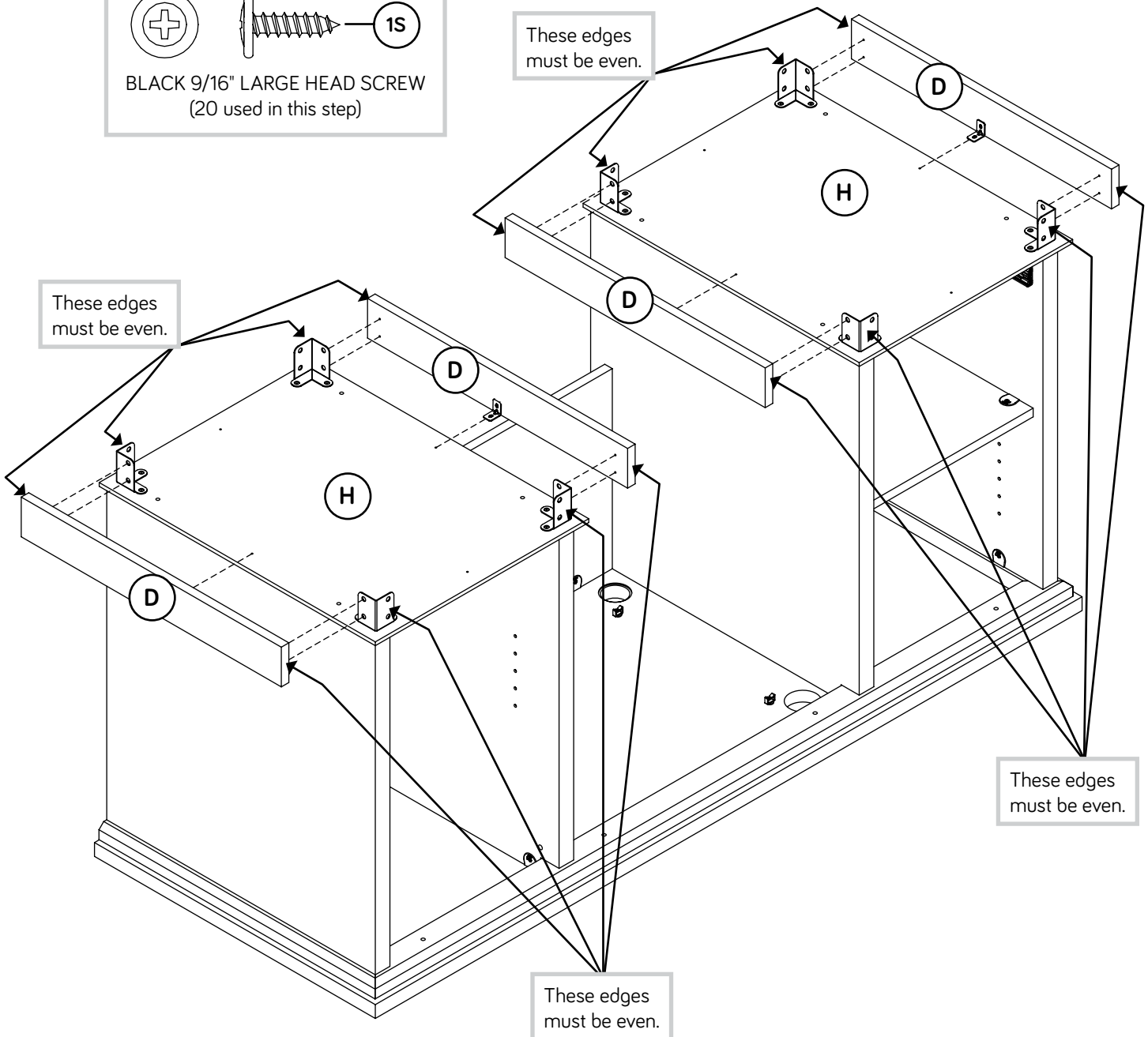
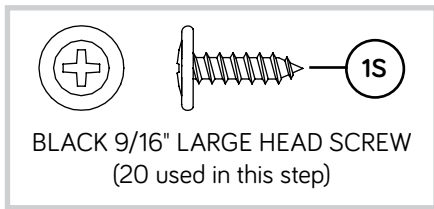
Step 16

- ✚ Fasten two METAL BRACKETS (4G) to a pair of SKIRTS (C and D). Use two BLACK 9/16" LARGE HEAD SCREWS (1S).
- ✚ **NOTE:** Be sure the BRACKETS are even with the edges of the SKIRTS.
- ✚ Repeat this step for the remaining SKIRTS.



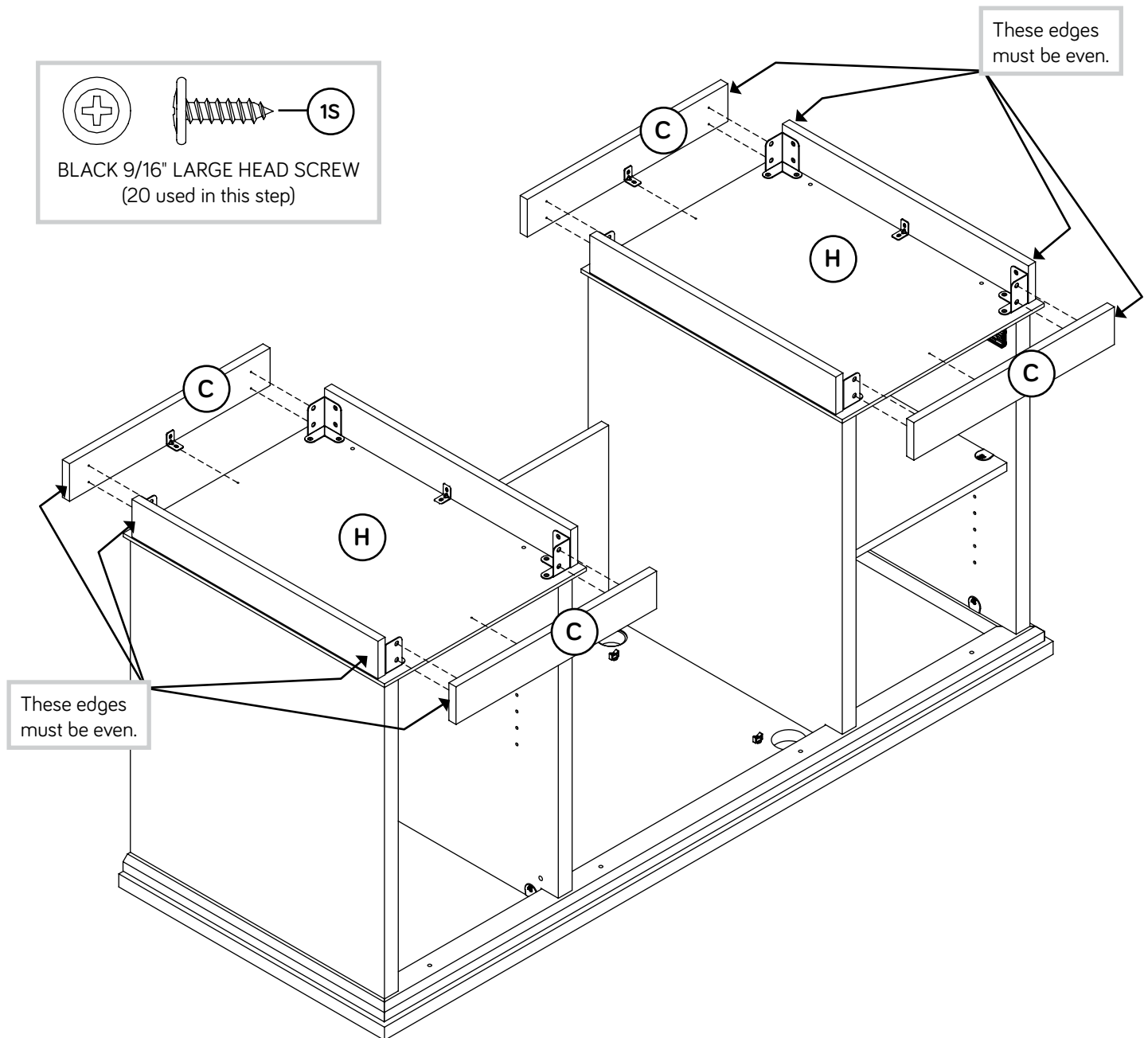
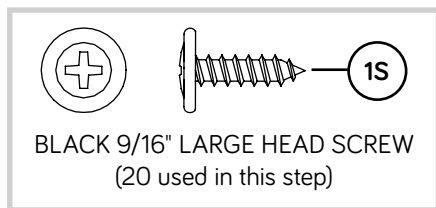
Step 17

- Fasten the LARGE SKIRTS (D) to the CORNER BRACKETS on the BOTTOMS (H). Use sixteen BLACK 9/16" LARGE HEAD SCREWS (1S).
- Fasten the LARGE SKIRTS (D) to the BOTTOMS (H). Use four BLACK 9/16" LARGE HEAD SCREWS (1S) through the METAL BRACKETS on the SKIRTS and into the holes in the BOTTOMS.



Step 18

- Fasten the SMALL SKIRTS (C) to the CORNER BRACKETS on the BOTTOMS (H). Use sixteen BLACK 9/16" LARGE HEAD SCREWS (1S).
- Fasten the SMALL SKIRTS (C) to the BOTTOMS (H). Use four BLACK 9/16" LARGE HEAD SCREWS (1S) through the METAL BRACKETS on the SKIRTS and into the holes in the BOTTOMS.



Step 19 Optional Hidden Wireless Qi Compatible Charger by Eggtronic (sold separately)

✚ This piece of furniture accommodates an optional Hidden Wireless Qi Compatible Charger by Eggtronic (Item 425905) for charging your smartphone. Eliminate the clutter and inconvenience of a charging cable. Charge your phone by simply setting it on top of your furniture.

✚ To purchase the Wireless Charger, scan this QR code.
(Or go to sauder.com)



✚ Qi Compatible Approved Smartphone List

The embedded wireless charging system is designed for the following smartphones:

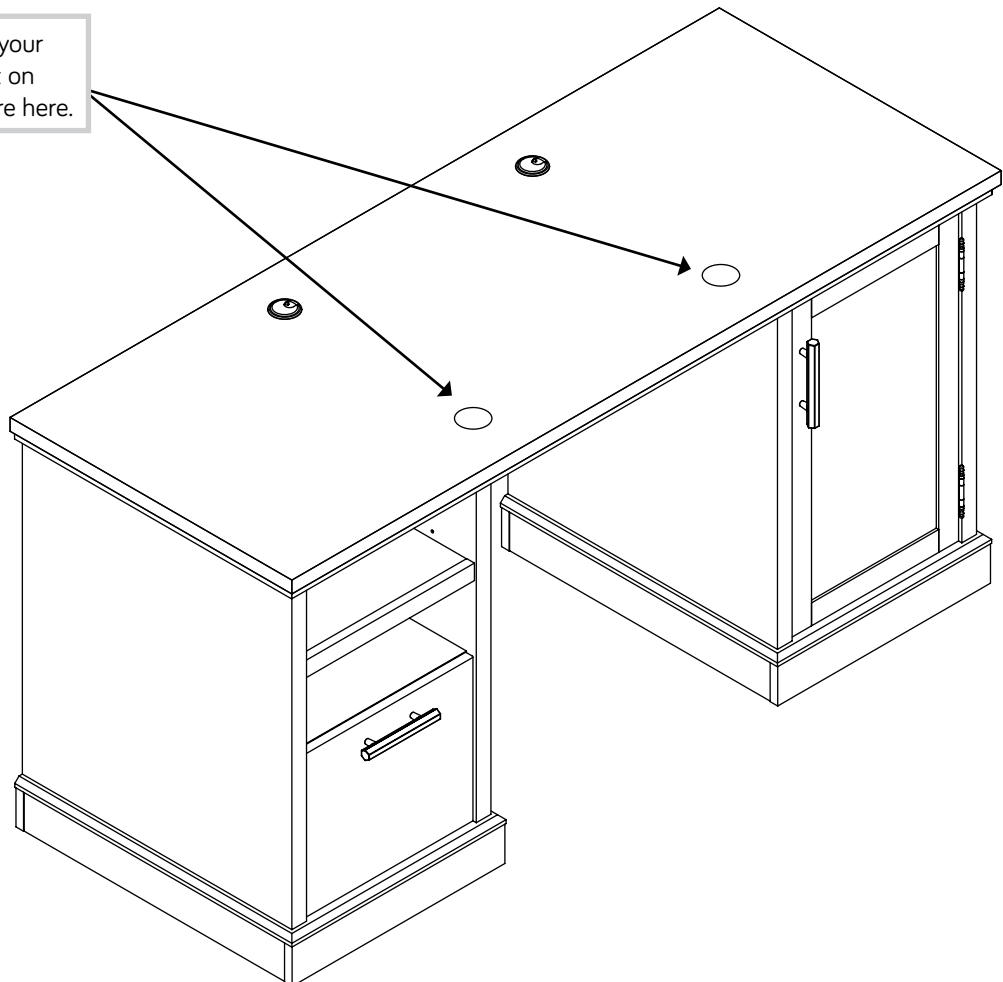
- Apple (iPhone 8 or newer)
- Samsung (Galaxy 6 or newer)

For a complete compatibility list, go to sauder.com.

✚ If you did not purchase the optional Hidden Wireless Qi Compatible Charger by Eggtronic, go to Step 21.

✚ If you purchased the optional Hidden Wireless Qi Compatible Charger by Eggtronic, go to the next step.

Wirelessly charge your phone by setting it on top of your furniture here.

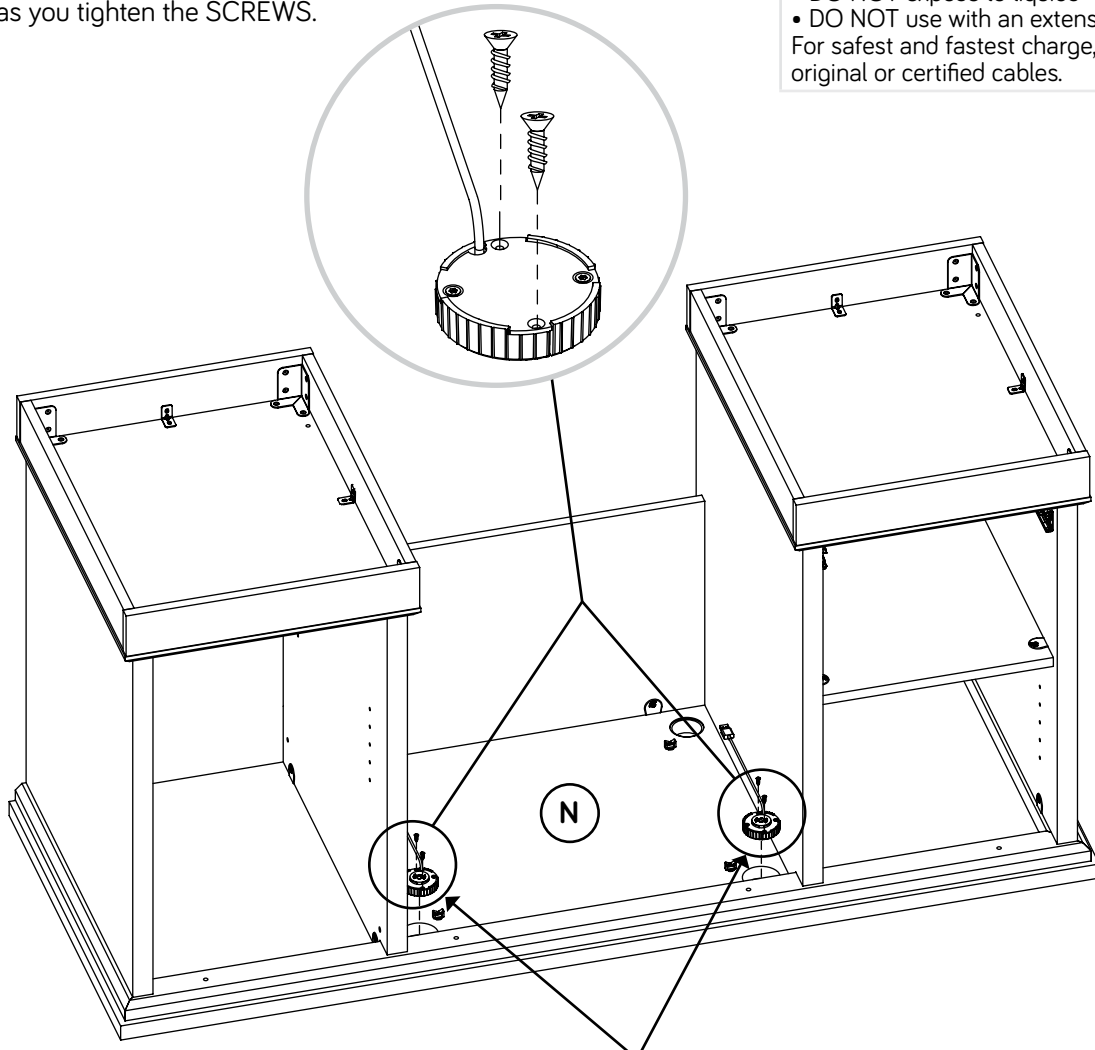


Step 20 Optional Hidden Wireless Qi Compatible Charger by Eggtronic (sold separately)

- ✚ Insert the HIDDEN WIRELESS Qi COMPATIBLE CHARGER by EGGTRONIC into one of the large holes in the TOP (N).
- ✚ Use the two SCREWS included with the CHARGER to secure it into the TOP (N).
- ✚ **NOTE:** There are no pre-drilled holes in the large holes in the TOP for the CHARGER. The sides of the CHARGER will expand into the sides of the large hole as you tighten the SCREWS.

⚠ WARNING
Please use the wireless charging port correctly and safely. Improper use can cause safety hazards, or damage to your furniture or household items. Carefully read the following safety information.

- AVOID dropping
 - NEVER use in or near water
 - DO NOT disassemble
 - DO NOT expose to liquids
 - DO NOT use with an extension cord
- For safest and fastest charge, only use original or certified cables.



This device complies with part 15 of the FCC Rules. Operation is subject to the following two conditions: (1) This device may not cause harmful interference, and (2) this device must accept any interference received, including interference that may cause undesired operation.

"Changes or modifications not expressly approved by the party responsible for compliance could void the user's authority to operate this device".
OR

"Changes or modifications not expressly approved by Sauder Woodworking Co. could void the user's authority to operate this device".

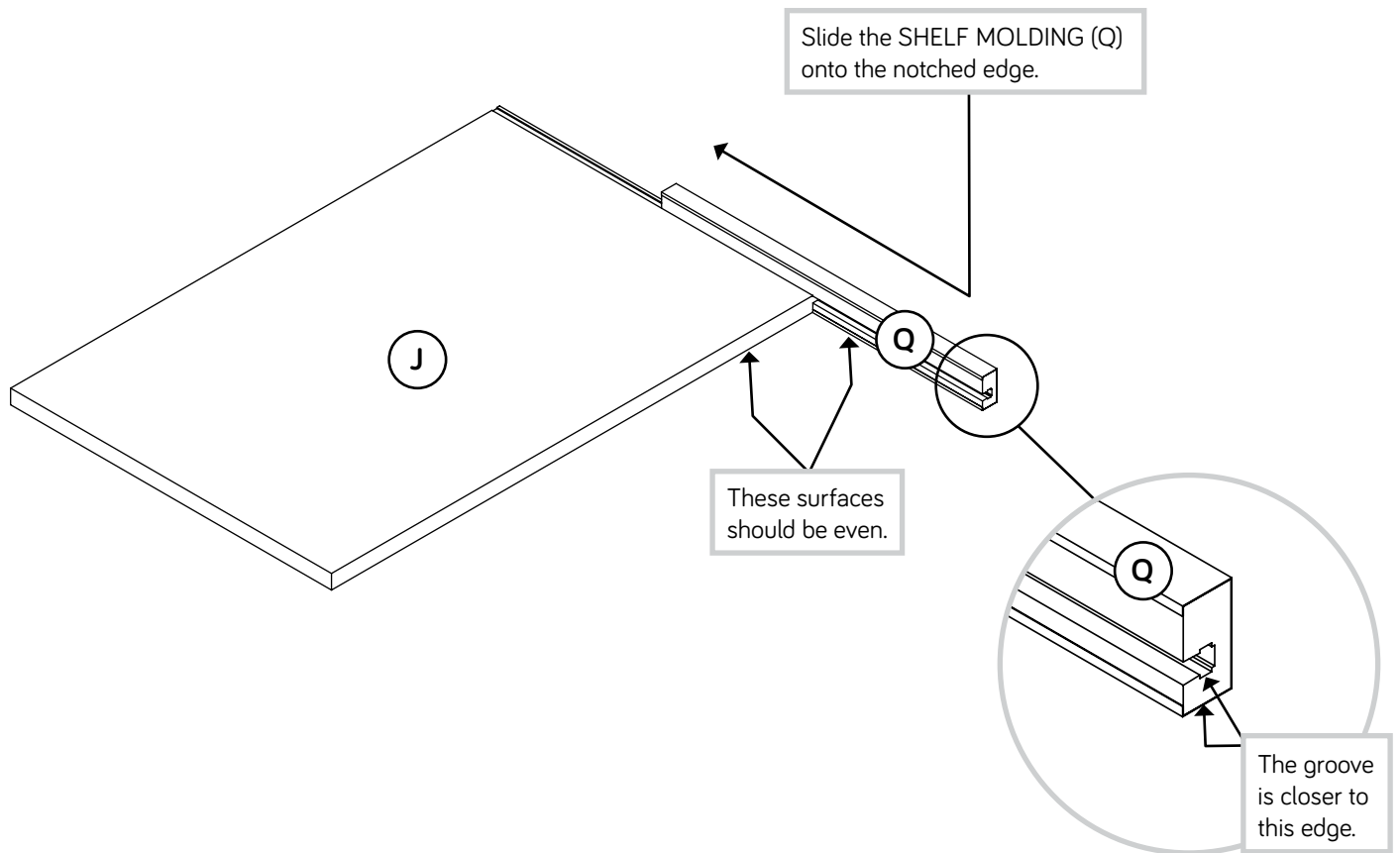
NOTE: This equipment has been tested and found to comply with the limits for a Class B digital device, pursuant to part 15 of the FCC Rules. These limits are designed to provide reasonable protection against harmful interference in a residential installation. This equipment generates, uses, and can radiate radio frequency energy and, if not installed and used in accordance with the instructions, may cause harmful interference to radio communications. However, there is no guarantee that interference will not occur in a particular installation. If this equipment does cause harmful interference to radio or television reception, which can be determined by turning the equipment off and on, the user is encouraged to try to correct the interference by one or more of the following measures:

- Reorient or relocate the receiving antenna.
- Increase the separation between the equipment and receiver.
- Connect the equipment into an outlet on a circuit different from that to which the receiver is connected.
- Consult the dealer or an experienced radio/TV technician for help.

Step 21

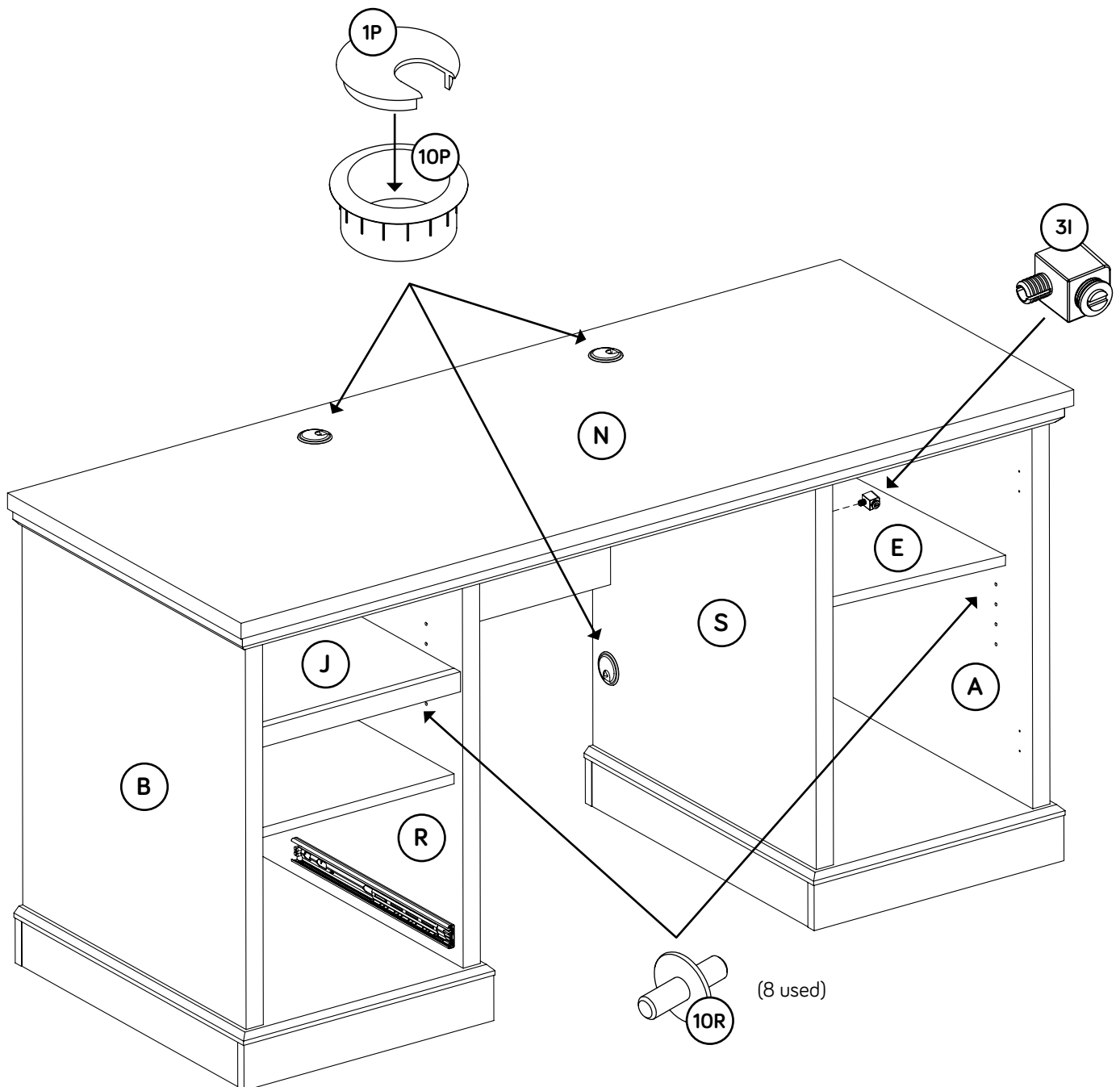
Slide the SHELF MOLDING* (Q) onto the notched edge of the UPPER ADJUSTABLE SHELF (J).

*U.S. Patent No. 5,499,886



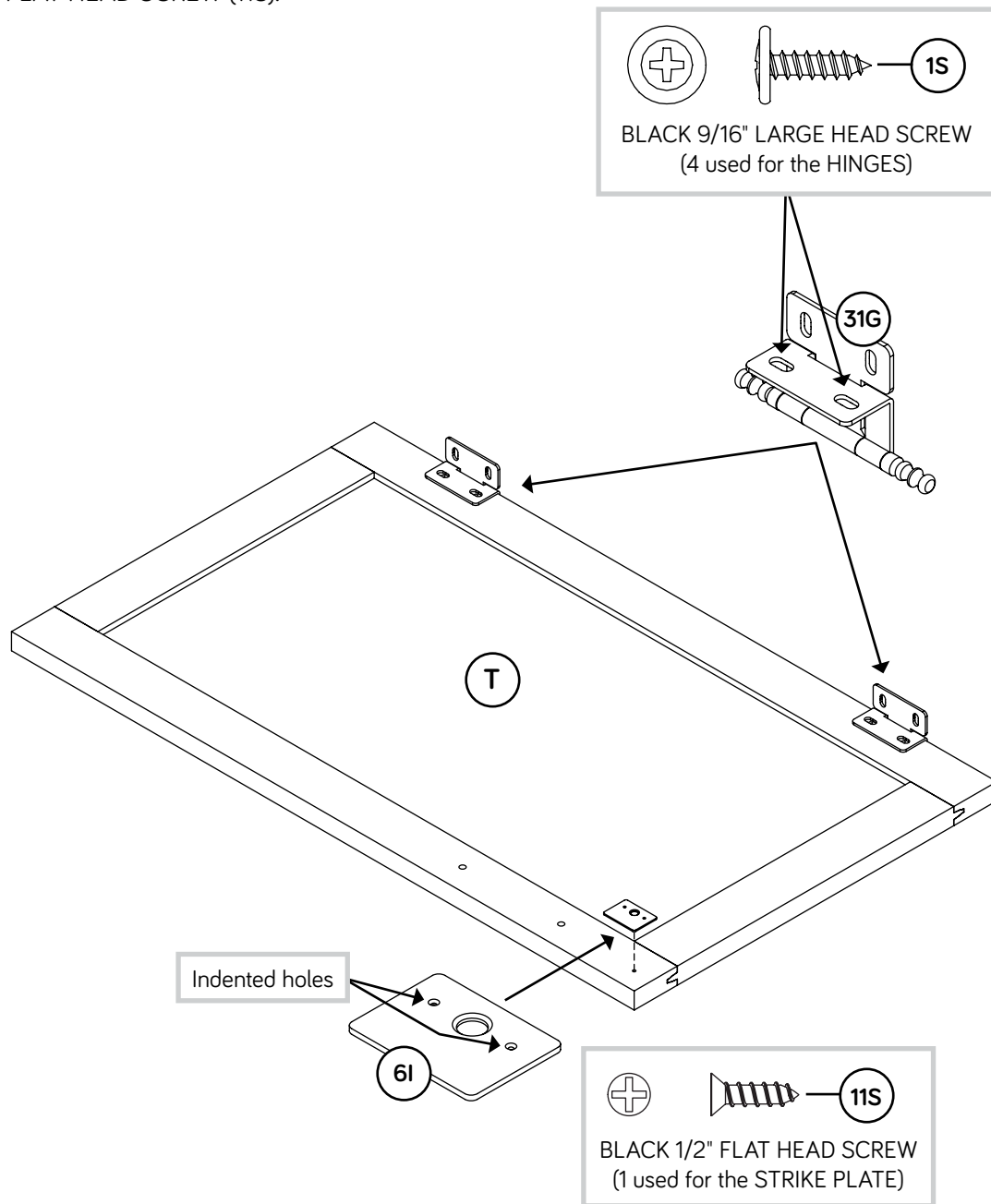
Step 22

- ✦ Carefully stand your unit upright.
- ✦ Insert two GROMMETS (10P) and two GROMMET CAPS (1P) into the large holes in the TOP (N).
- ✦ Insert a GROMMET (10P) and GROMMET CAP (1P) into the RIGHT UPRIGHT (S).
- ✦ Push a MAGNETIC CATCH (3I) into the RIGHT UPRIGHT (S).
- ✦ Insert the SHELF RESTS (10R) into the hole locations of your choice in the ENDS (A and B) and UPRIGHTS (R and S). Set the ADJUSTABLE SHELVES (E and J) onto the SHELF RESTS.



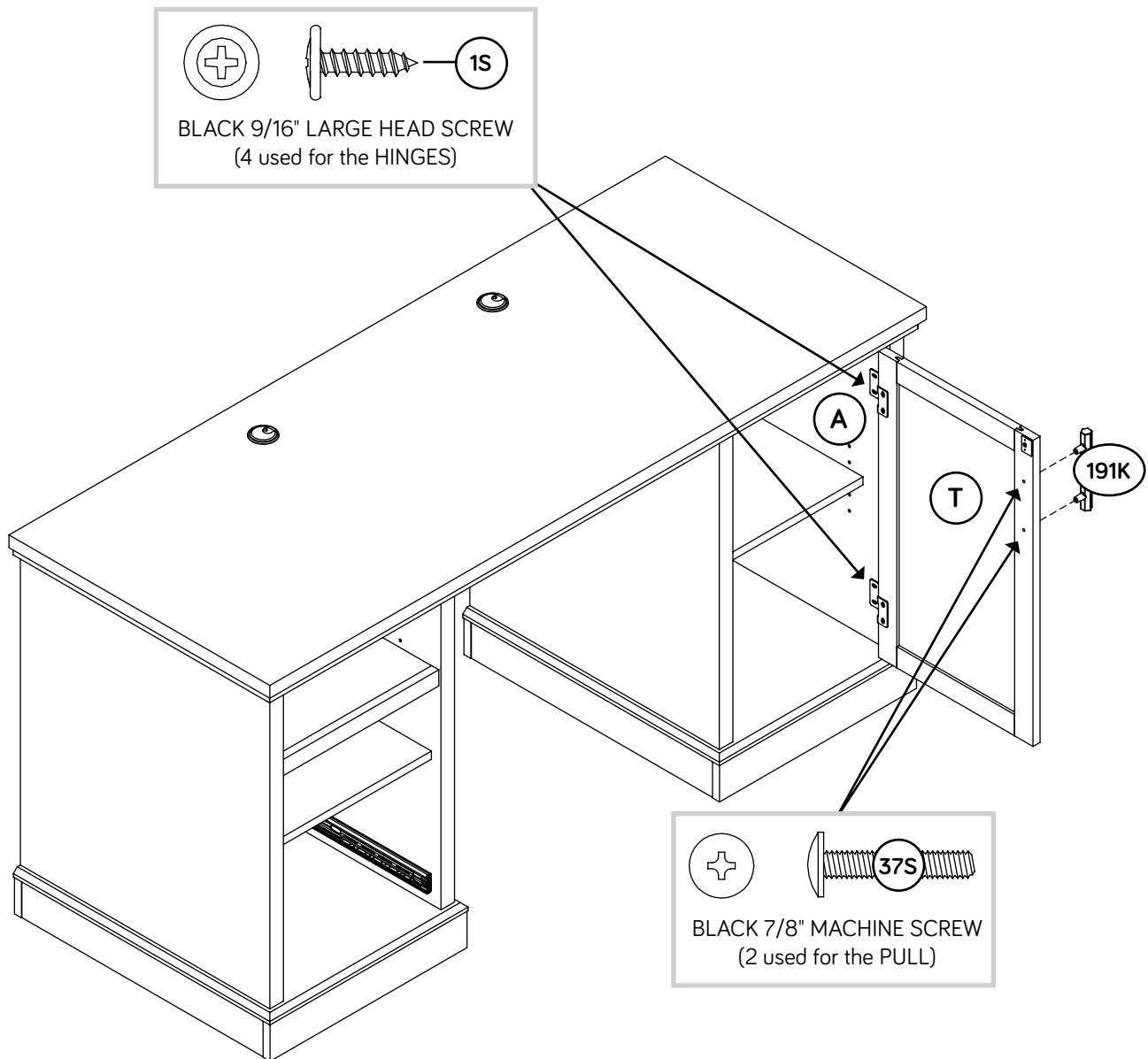
Step 23

- Fasten the HINGES (31G) to the DOOR (T). Use four BLACK 9/16" LARGE HEAD SCREWS (1S).
- NOTE:** The HINGES will wrap around the top corner of the DOOR.
- Fasten the STRIKE PLATE (6I) to the DOOR (T). Use the BLACK 1/2" FLAT HEAD SCREW (11S).



Step 24

- Fasten the DOOR (T) to the RIGHT END (A). Use four BLACK 9/16" LARGE HEAD SCREWS (1S).
- Fasten a PULL (191K) to the DOOR (T). Use two BLACK 7/8" MACHINE SCREWS (37S).

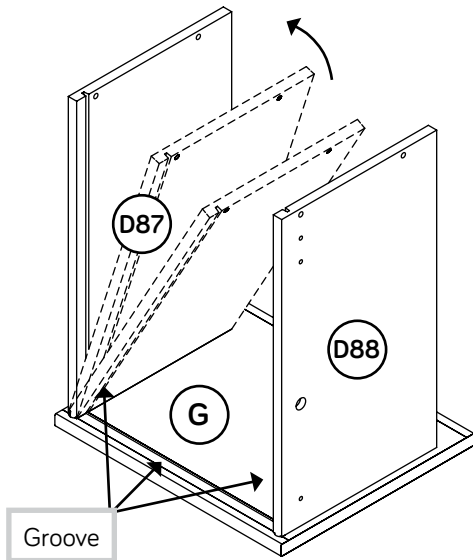


Step 25



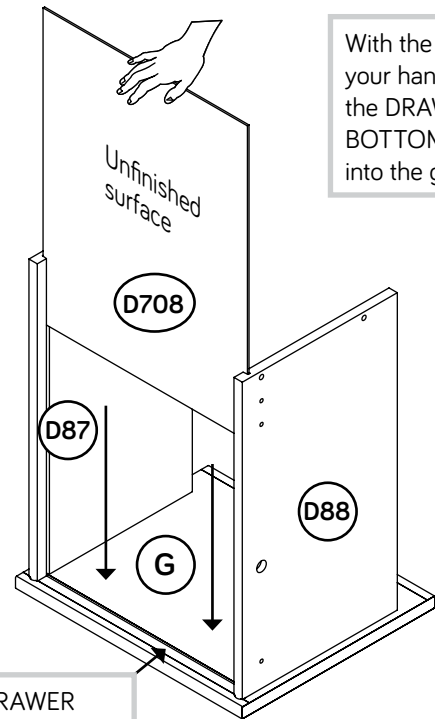
1

The tabs should insert freely into the slots. Gently tilt the DRAWER SIDES side to side until the tabs slip into the slots.



2

With the palm of your hand, tap the DRAWER BOTTOM down into the groove.



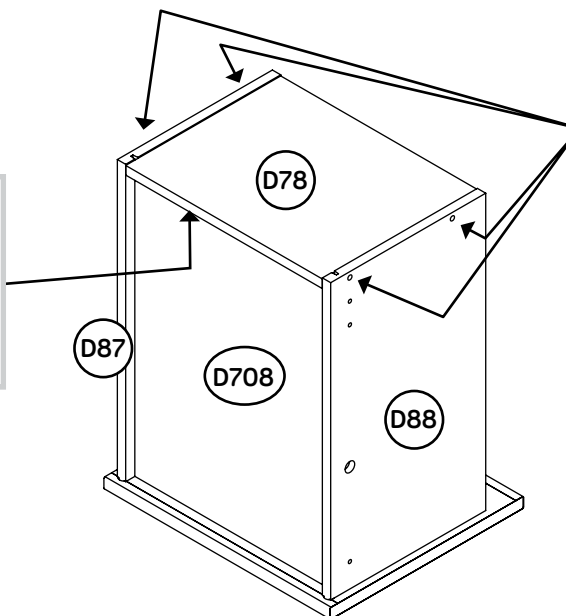
Be sure the DRAWER BOTTOM inserts into the DRAWER FRONT groove.

⚡ Insert the DRAWER SIDES (D87 and D88) at an angle into the slot at each end of the DRAWER FRONT (G).

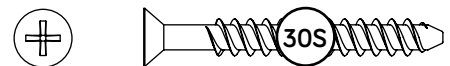
⚡ Slide the DRAWER BOTTOM (D708) into the grooves in the DRAWER SIDES (D87 and D88) and DRAWER FRONT (G).

3

Be sure the DRAWER BOTTOM inserts into the DRAWER BACK groove.



Start each screw a few turns before completely tightening any of them.



BLACK 1-9/16" FLAT HEAD SCREW (4 used in this step)

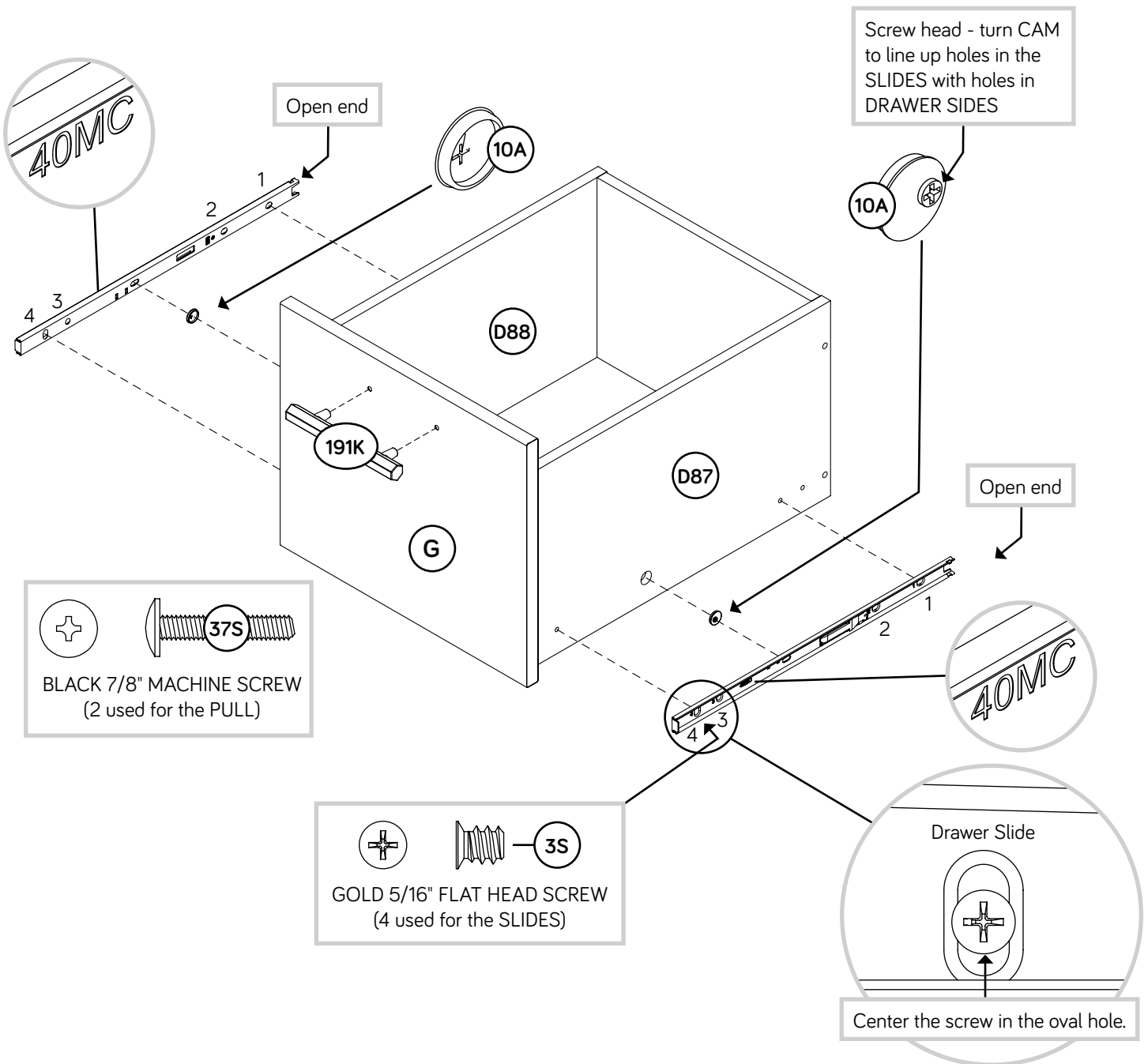
⚡ Fasten the DRAWER BACK (D78) to the DRAWER SIDES (D87 and D88). Use four BLACK 1-9/16" FLAT HEAD SCREWS (30S).

⚡ NOTE: Be sure the DRAWER BOTTOM (D708) inserts into the groove of the DRAWER BACK (D78).

Step 26



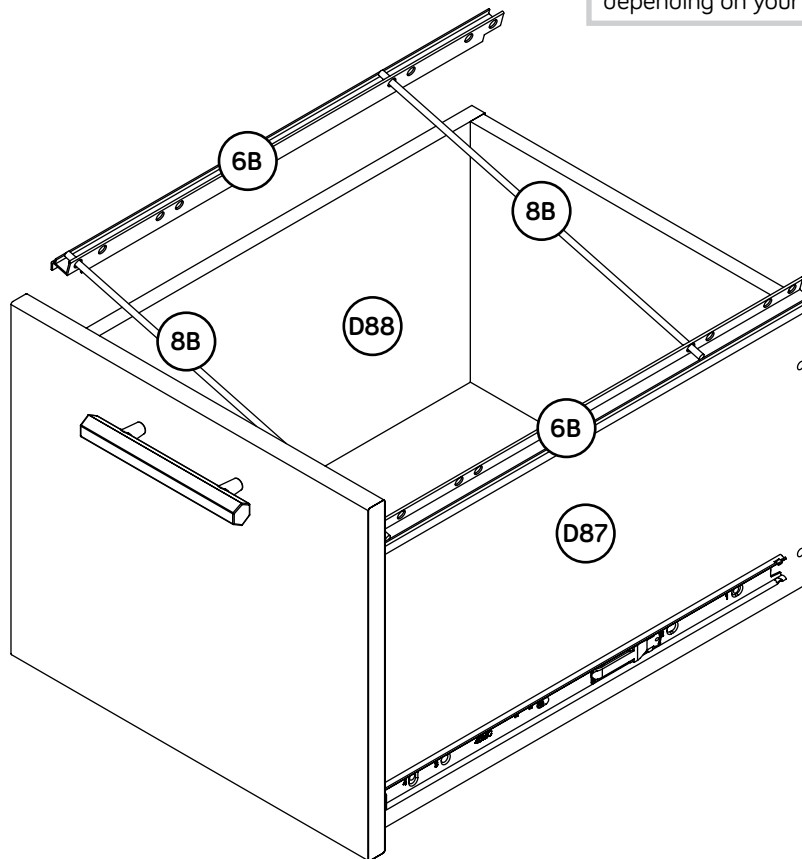
- ✚ Insert a SLIDE CAM (10A) into the DRAWER SIDES (D87 and D88).
- ✚ Fasten the EXTENSION SLIDES (40MC) to the DRAWER SIDES (D87 and D88). Use four GOLD 5/16" FLAT HEAD SCREWS (3S) through holes #1 and #4.
- ✚ **NOTE:** The screw head in the CAM must be visible through the slotted hole in the SLIDE.
- ✚ Fasten a PULL (191K) to the DRAWER FRONT (G). Use two BLACK 7/8" MACHINE SCREWS (37S).



Step 27

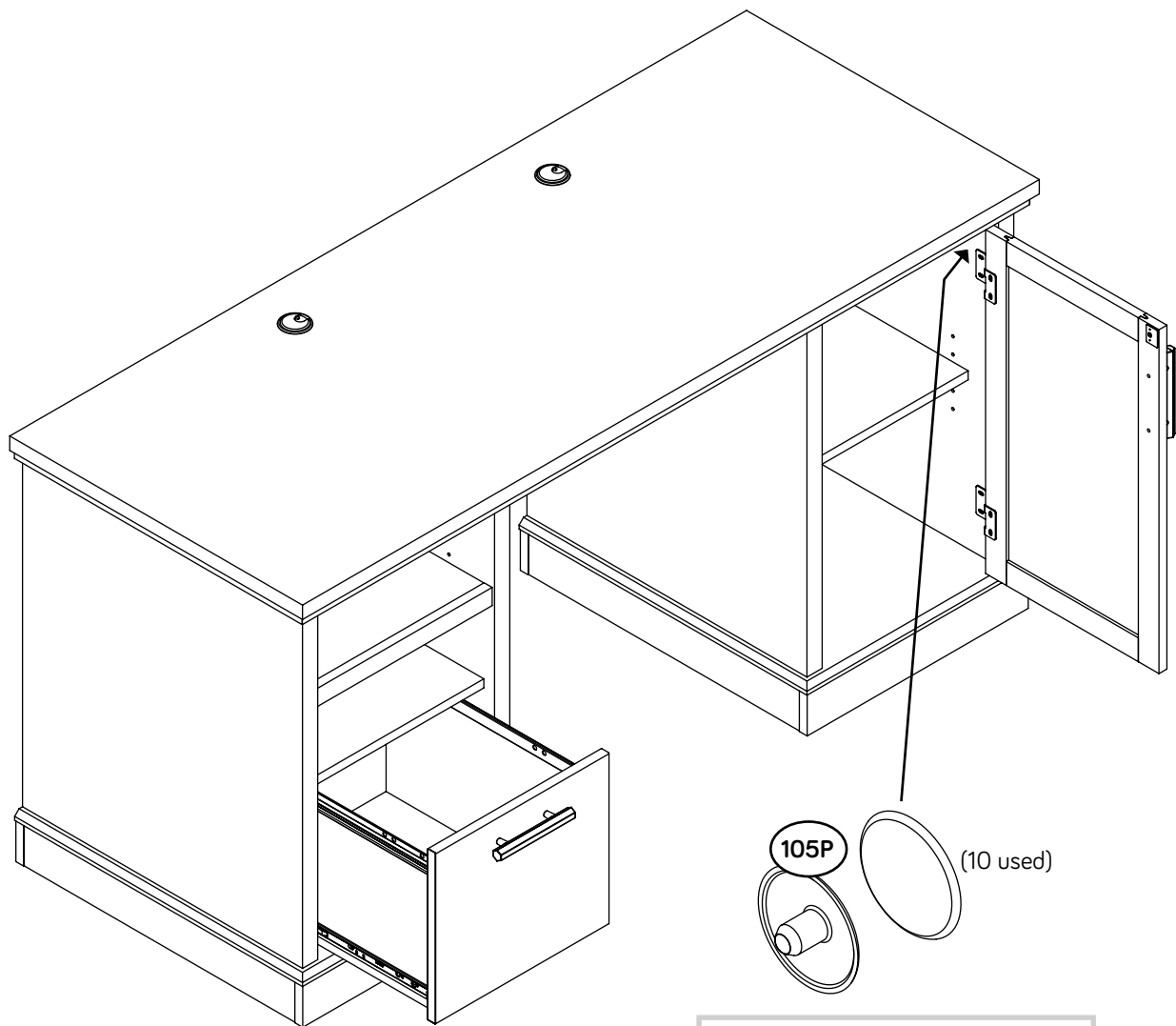
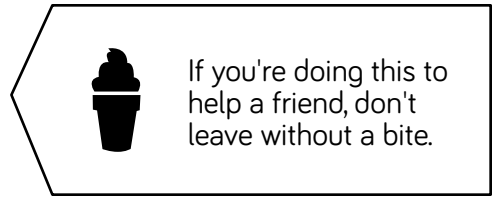
- ✚ Push a FILE GLIDE (6B) onto the RIGHT DRAWER SIDE (D87).
- ✚ Slide the FILE RODS (8B) into the FILE GLIDE (6B) on the RIGHT DRAWER SIDE (D87).
- ✚ Slide another FILE GLIDE (6B) onto the other end of the FILE RODS (8B), then press this FILE GLIDE over the LEFT DRAWER SIDE (D88).

Insert the FILE RODS into the holes of your choice in the FILE GLIDES, depending on your file sizes.



Step 28

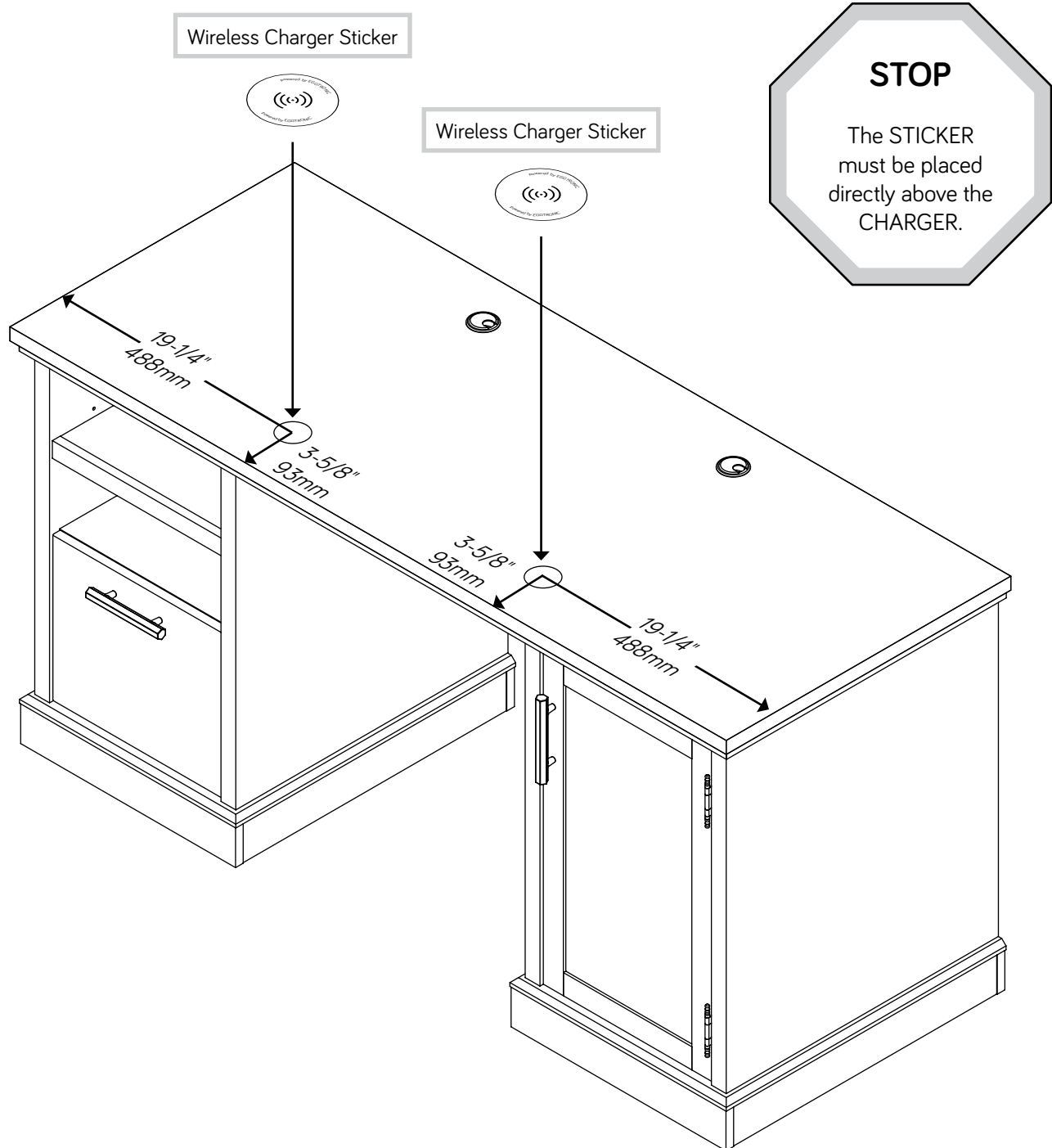
- ✚ To insert the drawer into your unit, line up the EXTENSION SLIDES on the drawer with the EXTENSION RAILS on the unit and push the drawer into the unit until the drawer is fully inserted. The drawer will push in hard until it is all the way in, then it will slide in and out easier.
- ✚ Using your hammer, gently tap a TWIST-LOCK® FASTENER COVER (105P) onto each visible TWIST-LOCK® FASTENER.



To cover TWIST-LOCK® FASTENERS

Step 29 Optional Hidden Wireless Qi Compatible Charger by Eggronic (sold separately)

- ✚ **IMPORTANT:** The WIRELESS CHARGING SPOT STICKER must be placed directly above the CHARGER.
- ✚ First, measure in from both edges of the TOP above your CHARGER as shown. Then, make a slight mark where the two measurements intersect. Next, center the STICKER over the mark and stick it to the TOP.

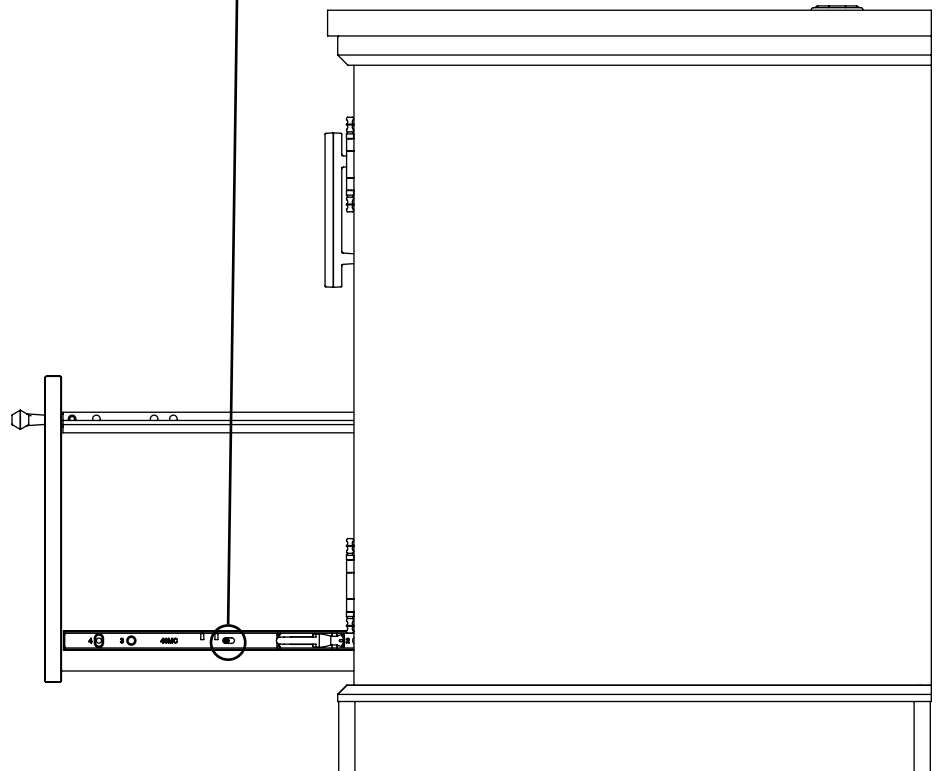
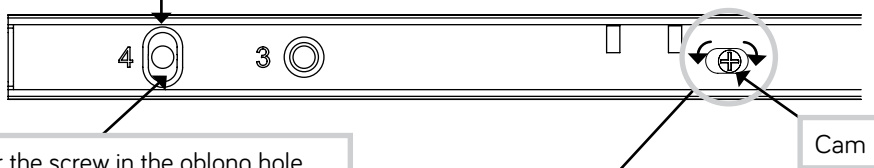




✚ To make adjustments to the drawer, loosen SCREW #4 in the SLIDES a 1/4 turn, then turn the cam clockwise or counter-clockwise. Notice how the drawer raises or lowers as you turn the cam. By adjusting the drawer this way, it will help the DRAWER FRONT line up better when closed. Tighten the SCREWS when finished with adjustments.

Loosen screw #4 a 1/4 turn, turn the cam a 1/4 turn maximum in both the clockwise and counter-clockwise directions to make adjustments, and then tighten screw #4.

The higher the screw in the oblong hole, the higher your drawer front will be. The lower the screw, the lower the drawer front.



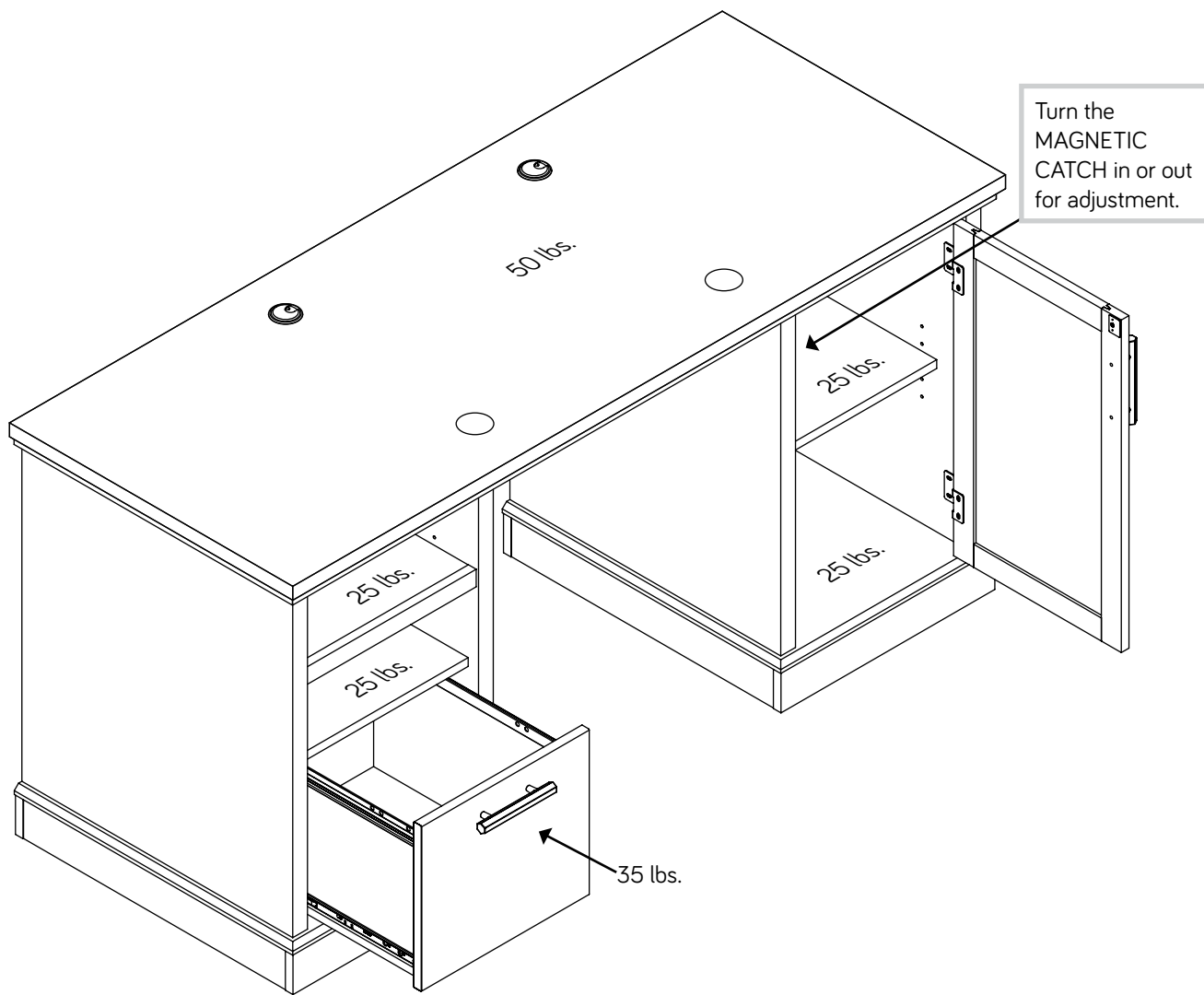
Step 31

🔩 **NOTE:** Turn the MAGNETIC CATCH in or out so the STRIKE PLATE on the DOOR connects with it when the DOOR is closed.

🔩 **NOTE:** Please read the back pages of the instruction booklet for important safety information.

🔩 This completes assembly. Clean with a damp cloth. Wipe dry.

★ **And to celebrate, why not share your success story at sauder.com or**



Troubleshooting (for optional Hidden Wireless Qi Compatible Charger by Eggtronic)

A. CHARGER/ADAPTER/OUTLET DEFECTS

- 1) Is the charger USB cable plugged in the wall adapter?
(normal conditions: *yes*)
- 2) Is the wall adapter plugged in the power outlet?
(normal conditions: *yes*)
- 3) Does the power outlet work?
(normal conditions: *yes*)
- 4) Does the charger work when plugged in another power outlet?
(normal conditions: *yes*)
- 5) Are you using the included wall adapter 2Amp Out? Does it work?
(normal conditions: *yes*)
- 6) Do you see any exposed electrical cables?
(normal conditions: *no*)
- 7) Does a red light shine from below the charger when plugged in?
(normal conditions: *yes*)

B. INSTALLATION ERRORS

- 8) Is the charger completely inserted into the hole in the furniture?
(normal conditions: *yes*)
- 9) Did you fix the charger in place using the provided screws?
(normal conditions: *yes*)
- 10) Did you follow the instructions to place the wireless charging spot sticker on the charging spot?
Is it accurate?
(normal conditions: *yes*)

C. WORKING CONDITIONS - PHONE/CASE ISSUES

- 11) Is your smartphone listed in the official compatibility list?
(normal conditions: *yes*)
- 12) Are you using a phone case with metal on it?
(normal conditions: *no*)
- 13) Is your case more than 3mm thick?
(normal conditions: *no*)
- 14) Is your phone running on the newest software update?
(normal conditions: *yes*)
- 15) Has your phone been dropped or sustained any damage prior to using the wireless charger?
(normal conditions: *no*)
- 16) When you correctly place a smartphone on the charging spot, a single beep is emitted. If the smartphone is not compatible, three beeps are emitted.
What sound comes from the charger when you place a compatible smartphone on the charging spot?
(IF ANY SOUND, THEN SECTION A IS NOT THE ISSUE)
(IF NO SOUND, THEN ISSUE IS IN SECTIONS A OR B)
(normal conditions: *one single beep when charging starts*)
- 17) Is the smartphone correctly aligned with the charging spot?
(normal conditions: *yes*)

Utilisez les instructions d'assemblage en français avec les schémas étape par étape du manuel d'instruction en anglais. Chaque étape en français correspond à la même étape en anglais. Comparer la "Liste de pièces" ci-dessous avec la "PART IDENTIFICATION" du manuel en anglais pour vous familiariser avec les pièces avant l'assemblage.

REMARQUE : CE MANUEL D'INSTRUCTIONS CONTIENT **D'IMPORTANTES** INFORMATIONS RELATIVES À LA SÉCURITÉ. À LIRE ET CONSERVER POUR TOUTE RÉFÉRENCE FUTURE.

NOUS CONTACTER EN PREMIER**AVANT D'EFFECTUER TOUT RETOUR AU MAGASIN.**

Nous faisons de notre mieux pour nous assurer que votre meuble arrive dans d'excellentes conditions. Nos représentants du service Clientèle sont aimables et prêts à vous aider au cas où une pièce aurait été endommagée ou manquerait (ou si vous aviez besoin d'aide pour l'assemblage). Composez ce numéro d'appel gratuit:

1-800-523-3987

**Du lundi au vendredi, de 9 heures du matin à
5:30 heures du soir (horaire Côte Est)**

(sauf jours fériés)

Si une pièce a besoin d'être remplacée, la pièce de remplacement sera envoyée dans les 48 heures. (Sauf week-ends et jours fériés)

Noter la date d'achat de cet élément et conserver le livret pour future référence. Pour contacter Sauder en ce qui concerne cet élément, faire référence au numéro de lot et numéro de modèle en appelant notre numéro sans frais.

Lot n° : _____

Date de l'achat : _____

LISTE DE PIÈCES			LISTE DE PIÈCES		
REFERENCE	DESCRIPTION	QUANTITÉ	REFERENCE	DESCRIPTION	QUANTITÉ
A	EXTRÉMITÉ DROITE	1	10A	EXCENTRIQUE DE COULISSE	2
B	EXTRÉMITÉ GAUCHE	1	6B	ARMATURE DE DOSSIER.....	2
C	PETITE PLINTHE.....	4	8B	TIGE DE DOSSIER.....	2
D	GRANDE PLINTHE.....	4	15F	CHEVILLE EN BOIS.....	8
D78	ARRIÈRE DE TIROIR.....	1	17F	CONNECTEUR DE MOULURE.....	2
D87	CÔTÉ DROIT DE TIROIR.....	1	37F	FIXATION TWIST-LOCK®	14
D88	CÔTÉ GAUCHE DE TIROIR.....	1	4G	CONSOLE EN MÉTAL	8
D708	FOND DE TIROIR.....	1	31G	SUPPORTS EN CORNIÈRE.....	8
E	TABLETTE RÉGLABLE.....	1	42H	CHARNIÈRE	2
F	VOILE DE FOND.....	1	3I	LOQUETEAU MAGNÉTIQUE.....	1
G	DEVANT DE TIROIR.....	1	6I	PLAQUE DE BUTÉE.....	1
H	DESSOUS.....	2	191K	POIGNÉE.....	2
J	TABLETTE RÉGLABLE SUPÉRIEURE	1	1P	COUVERCLE DE PASSE-CÂBLES	3
K	TABLETTE FIXE.....	1	4P	CLIP POUR CORDONS.....	4
L	MOULURE DE DESSUS DROITE.....	1	10P	PASSE-CÂBLES	3
M	MOULURE AVANT DE DESSUS.....	1	105P	COUVERCLE DE FIXATION TWIST-LOCK®	10
N	DESSUS	1	10R	SUPPORT DE TABLETTE.....	8
O	ARRIÈRE.....	2		CHARGEUR COMPATIBLE Qi SANS FIL DISSIMULÉ de EGGTRONIC - Article 425905(vendu séparément)	
P	MOULURE DE DESSUS GAUCHE	1	1S	VIS TÊTE LARGE 14 mm NOIRE.....	73
Q	MOULURE DE TABLETTE.....	1	3S	VIS TÊTE PLATE 8 mm DORÉE.....	8
R	MONTANT GAUCHE.....	1	11S	VIS TÊTE PLATE 13 mm NOIRE.....	1
S	MONTANT DROIT	1	26S	VIS TÊTE PLATE 57 mm NOIRE	4
T	PORTE.....	1	30S	VIS TÊTE PLATE 40 mm NOIRE	4
	(ENSEMBLE DE GLISSIÈRE ILLUSTRÉ À PART)		37S	VIS À MÉTAUX 22 mm NOIRE.....	4
40MA	GLISSIÈRE D'EXTENSION.....	2	55S	VIS TÊTE PLATE 41 mm MARRON.....	8
40MC	COULISSE D'EXTENSION.....	2	113S	VIS TÊTE PLATE 50 mm NOIRE	8

ÉTAPE 1

Assembler l'élément sur un sol à moquette ou sur le carton vide pour éviter d'endommager l'élément ou le sol.

Enfoncer quatre CLIPS DE CORDON (4P) dans les trous du DESSUS (N).

REMARQUE : Les CLIPS DE CORDON sont utilisés pour maintenir les cordons électriques contre le DESSUS.

ÉTAPE 2

Enfoncer deux CONNECTEURS DE MOULURE (17F) dans les crans des MOULURES (L, M et P).

ÉTAPE 3

Retourner les MOULURES (L, M et P) et fixer les au DESSUS (N). Utiliser huit VIS TÊTE PLATE 41 mm MARRON (55S).

REMARQUE : Il est préférable de donner quelques tours de tournevis à chaque VIS avant de les serrer toutes à bloc.

REMARQUE : Ne pas trop serrer les VIS dans le DESSUS.

Guide d'utilisation de la visserie

UTILISATION DE LA FIXATION TWIST-LOCK®

1. Enfoncer une FIXATION TWIST-LOCK® dans le gros trou de la pièce.

2. 1. Insérer l'extrémité fileté de la FIXATION dans le trou de la pièce attenante.

REMARQUE : L'extrémité fileté de la FIXATION doit rester complètement insérée dans le trou de la pièce attenante lorsque l'on bloque la FIXATION.

2. Bien serrer la FIXATION à l'aide d'un tournevis Phillips.

ÉTAPE 4

Ne pas serrer les FIXATIONS TWIST-LOCK® à cette étape.

Enfoncer deux FIXATIONS TWIST-LOCK® SAUDER (37F) dans les gros trous dans le VOILE DE FOND (F).

ÉTAPE 5

Fixer le VOILE DE FOND (F) au DESSUS (N). Serrer deux FIXATIONS TWIST-LOCK®.

ÉTAPE 6

Ne pas serrer les FIXATIONS TWIST-LOCK® à cette étape.

Enfoncer quatre FIXATIONS TWIST-LOCK® SAUDER (37F) dans les gros trous de l'EXTRÉMITÉ GAUCHE (B) et du MONTANT GAUCHE (R).

Insérer quatre CHEVILLES EN BOIS (15F) dans l'EXTRÉMITÉ GAUCHE (B) et le MONTANT GAUCHE (R).

ÉTAPE 7

Séparer les COULISSES D'EXTENSION (40MC) des GLISSIÈRES D'EXTENSION (40MA) comme l'indique le schéma du haut ci-dessous. Faire attention car les pièces sont graissées.

Fixer les GLISSIÈRES D'EXTENSION (40MA) à l'EXTRÉMITÉ GAUCHE (B) et au MONTANT GAUCHE (R). Utiliser quatre VIS TÊTE PLATE 8 mm DORÉES (3S) à travers les trous n° 1 et n° 3.

REMARQUE : Pour chaque GLISSIÈRE D'EXTENSION, faire tourner une VIS dans le trou indiqué dans le schéma agrandi. Ensuite, enfiler la cartouche interne de la GLISSIÈRE D'EXTENSION vers l'intérieur pour trouver l'autre trou qui est aligné sur le trou dans l'EXTRÉMITÉ et le MONTANT. Faire tourner une VIS dans ce trou.

REMARQUE : Les COULISSES D'EXTENSION seront utilisées ultérieurement pour le TIROIR.

ÉTAPE 8

Fixer le MONTANT GAUCHE (R) au DESSUS (N). Serrer deux FIXATIONS TWIST-LOCK®.

REMARQUE : S'assurer d'insérer les CHEVILLES EN BOIS du MONTANT GAUCHE dans le DESSUS.

Fixer le MONTANT GAUCHE (R) au VOILE DE FOND (F). Utiliser deux VIS TÊTE PLATE 57 mm NOIRES (26S).

ÉTAPE 9

Enfoncer quatre FIXATIONS TWIST-LOCK® SAUDER (37F) dans les gros trous dans la TABLETTE FIXE (K).

Fixer la TABLETTE FIXE (K) au MONTANT GAUCHE (R). Serrer deux FIXATIONS TWIST-LOCK®.

ÉTAPE 10

Fixer l'EXTRÉMITÉ GAUCHE (B) à la TABLETTE FIXE (K) et au DESSUS (N). Serrer quatre FIXATIONS TWIST-LOCK®.

REMARQUE : S'assurer d'insérer les CHEVILLES EN BOIS de l'EXTRÉMITÉ GAUCHE dans la MOULURE DE DESSUS GAUCHE.

ÉTAPE 11

Ne pas serrer les FIXATIONS TWIST-LOCK® à cette étape.

Enfoncer quatre FIXATIONS TWIST-LOCK® SAUDER (37F) dans les gros trous de l'EXTRÉMITÉ DROITE (A) et du MONTANT DROIT (S).

Insérer quatre CHEVILLES EN BOIS (15F) dans l'EXTRÉMITÉ DROITE (A) et le MONTANT DROIT (S).

ÉTAPE 12

Fixer le MONTANT DROIT (S) au DESSUS (N). Serrer deux FIXATIONS TWIST-LOCK®.

REMARQUE : S'assurer d'insérer les CHEVILLES EN BOIS du MONTANT DROIT dans le DESSUS.

Fixer le MONTANT DROIT (S) sur le VOILE DE FOND (F). Utiliser deux VIS TÊTE PLATE 57 mm NOIRES (26S).

ÉTAPE 13

Fixer l'EXTRÉMITÉ DROITE (A) au DESSUS (N). Serrer deux FIXATIONS TWIST-LOCK®.

REMARQUE : S'assurer d'insérer les CHEVILLES EN BOIS de l'EXTRÉMITÉ DROITE dans le DESSUS.

Faire glisser les ARRIÈRES (O) dans les rainures des EXTRÉMITÉS (A et B) et des MONTANTS (R et S).

REMARQUE : S'assurer de bien insérer la cran de chaque ARRIÈRE en premier dans les EXTRÉMITÉS (A et B).

ÉTAPE 14

Fixer les DESSOUS (H) aux EXTRÉMITÉS (A et B) et aux MONTANTS (R et S). Utiliser huit VIS TÊTE PLATE 50 mm NOIRES (113S).

REMARQUE : Il est préférable de donner quelques tours de tournevis à chaque VIS avant de les serrer toutes à bloc.

ÉTAPE 15

Fixer huit CONSOLES À ÉQUERRE (31G) aux DESSOUS (H) exactement comme il l'est indiqué. Utiliser seize VIS TÊTE LARGE 14 mm NOIRES (1S).

ÉTAPE 16

Fixer deux CONSOLES EN MÉTAL (4G) à une paire de PLINTHES (C et D). Utiliser deux VIS TÊTE LARGE 14 mm NOIRES (1S).

REMARQUE : S'assurer que les CONSOLES sont à fleur des bords des PLINTHES.

Répéter cette étape pour l'autre PLINTHE.

ÉTAPE 17

Fixer les GRANDES PLINTHES (D) aux SUPPORTS EN CORNIÈRE sur les DESSOUS (H). Utiliser seize VIS TÊTE LARGE 14 mm NOIRES (1S).

Fixer les GRANDES PLINTHES (D) au les DESSOUS (U). Utiliser quatre VIS TÊTE LARGE 14 mm NOIRES (1S) à travers les CONSOLES EN MÉTAL situées sur les PLINTHES et dans les trous du DESSOUS.

ÉTAPE 18

Fixer les PETITES PLINTHES (C) aux SUPPORTS EN CORNIÈRE sur les DESSOUS (H). Utiliser seize VIS TÊTE LARGE 14 mm NOIRES (1S).

Fixer les PETITES PLINTHES (C) au les DESSOUS (U). Utiliser quatre VIS TÊTE LARGE 14 mm NOIRES (1S) à travers les CONSOLES EN MÉTAL situées sur les PLINTHES et dans les trous du DESSOUS.

ÉTAPE 19

Chargeur compatible Qi sans fil dissimulé de Eggtronic (vendu séparément) en option

Ce meuble accommode un Chargeur compatible Qi sans fil dissimulé de Eggtronic optionnel (Article 425905) pour charger votre téléphone mobile. Éliminez le désordre et l'inconvénient d'un câble de charge. Chargez votre téléphone en le posant simplement sur votre meuble.

Pour acheter le Chargeur Sans Fil, scanner ce code QR. (ou allez sur sauder.com)

Liste de smartphones approuvés compatibles Qi

Le système de charge sans fil incrusté est conçu pour les smartphones suivants :

- Apple (iPhone 8 ou plus récent)
- Samsung (Galaxy 6 ou plus récent)

Pour une liste complète des éléments compatibles, allez sur le site Web sauder.com

Si vous n'avez pas fait l'achat du Chargeur compatible Qi sans fil dissimulé de Eggtronic optionnel, allez à l'étape 21.

Si vous avez fait l'achat du Chargeur compatible Qi sans fil dissimulé de Eggtronic optionnel, allez à l'étape suivante.

ÉTAPE 20

Chargeur compatible Qi sans fil dissimulé de Eggtronic (vendu séparément) en option

AVERTISSEMENT : Utiliser le port de charge sans fil correctement et prudemment. Une mauvaise utilisation peut être à l'origine de risques d'accident ou peut endommager le mobilier et les articles ménagers. Lire attentivement l'information suivante sur la sécurité.

- ÉVITER de faire tomber
- NE JAMAIS utiliser dans ou près de l'eau
- NA PAS démonter
- NA PAS exposer aux liquides
- NE PAS utiliser avec une rallonge

Pour avoir une charge la plus sûre et la plus rapide, utiliser uniquement avec des câbles originaux ou certifiés.

Insérer le CHARGEUR COMPATIBLE Qi SANS FIL DISSIMULÉ de EGGTRONIC dans l'un des gros trous du DESSUS (N).

Utiliser les deux VIS fournies avec le CHARGEUR pour sécuriser le chargeur dans le DESSUS (N).

REMARQUE : Il n'y pas de trous pré-perçés dans les gros trous du DESSUS pour le CHARGEUR. Les côtés du CHARGEUR s'élargiront dans les côtés du grand tout au fur et à mesure que l'on serre les VIS.

ÉTAPE 21

Enfiler la MOULURE DE TABLETTE* (Q) sur le bord cranté de la TABLETTE RÉGLABLE SUPÉRIEURE (J).

* Brevet État Unis n° 5,499,886

ÉTAPE 22

Relever, avec précaution, l'élément dans sa position verticale.

Insérer deux PASSE-CÂBLES (10P) et deux COUVERCLES DE PASSE-CÂBLES (1P) dans les gros trous du DESSUS (N).

Insérer un PASSE-CÂBLES (10P) et un COUVERCLE DE PASSE-CÂBLES (1P) dans le MONTANT DROIT (S).

Enfoncer un LOQUETEAU MAGNÉTIQUE (3I) dans le MONTANT DROIT (S).

Insérer les SUPPORTS DE TABLETTE (10R) dans les trous choisis dans les EXTRÉMITÉS (A et B) et les MONTANTS (R et S). Poser les TABLETTES RÉGLABLES (E et J) sur les SUPPORTS DE TABLETTE.

ÉTAPE 23

Fixer les CHARNIÈRES (31G) à la PORTE (T). Utiliser quatre VIS TÊTE LARGE 14 mm NOIRES (1S).

REMARQUE : Les CHARNIÈRES s'enrober autour du coin supérieur de la PORTE.

Fixer la PLAQUE DE BUTÉE (6I) à la PORTE (T). Utiliser la VIS TÊTE PLATE 13 mm NOIRE (11S).

ÉTAPE 24

Fixer la PORTE (T) à l'EXTRÉMITÉ DROITE (A). Utiliser quatre VIS TÊTE LARGE 14 mm NOIRES (1S).

Fixer une POIGNÉE (191K) à la PORTE (T). Utiliser deux VIS À MÉTAUX 22 mm NOIRES (37S).

ÉTAPE 25

1. Insérer les CÔTÉS DE TIROIR (D87 et D88) en biseau dans la fente dans chaque extrémité du DEVANT DE TIROIR (G).

2. Enfiler le FOND DE TIROIR (D708) dans les rainures des CÔTÉS DE TIROIR (D87 et D88) et du DEVANT DE TIROIR (G).

3. Fixer l'ARRIÈRE DE TIROIR (D78) aux CÔTÉS DE TIROIR (D87 et D88). Utiliser quatre VIS TÊTE PLATE 40 mm NOIRES (30S).

REMARQUE : S'assurer que le FOND DE TIROIR (D708) s'encastre dans la rainure de l'ARRIÈRE DE TIROIR (D78).

ÉTAPE 26

Insérer une EXCENTRIQUE DE COULISSE (10A) dans les CÔTÉS DE TIROIR (D87 et D88).

Fixer les COULISSES D'EXTENSION (40MC) aux CÔTÉS DE TIROIR (D87 et D88). Utiliser quatre VIS TÊTE PLATE 8 mm DORÉES (3S) à travers les trous n° 1 et n° 4.

REMARQUE : La tête de vis dans l'EXCENTRIQUE doit être visible à travers le trou fendu dans la COULISSE.

Fixer une POIGNÉE (191K) sur le DEVANT DE TIROIR (G). Utiliser deux VIS À MÉTAUX 22 mm NOIRES (37S).

ÉTAPE 27

Enfoncer une ARMATURE POUR DOSSIERS (6B) sur le CÔTÉ DROIT DE TIROIR (D87).

Enfiler les GUIDES POUR DOSSIERS (8B) dans l'ARMATURE POUR DOSSIERS (6B) située sur le CÔTÉ DROIT DE TIROIR (D87).

Enfiler une autre ARMATURE POUR DOSSIERS (6B) sur l'autre extrémité des GUIDES POUR DOSSIERS (8B) et appuyer cette ARMATURE POUR DOSSIERS sur le CÔTÉ GAUCHE DE TIROIR (D88).

ÉTAPE 28

Pour insérer le tiroir dans l'élément, aligner les COULISSES D'EXTENSION du tiroir sur les GLISSIÈRES D'EXTENSION de l'élément et enfoncer le tiroir dans l'élément jusqu'à ce que le tiroir soit complètement inséré. Le tiroir offrira une certaine résistance jusqu'à ce qu'il soit complètement inséré dans l'élément, il glissera ensuite sans difficulté.

À l'aide d'un marteau, taper légèrement un COUVERCLE DE FIXATION TWIST-LOCK® (105P) sur chaque FIXATION TWIST-LOCK® visible.

ÉTAPE 29

Chargeur compatible Qi sans fil dissimulé de Eggtronic (vendu séparément) en option

IMPORTANT : L'AUTOCOLLANT DU POINT DE CHARGE SANS FIL doit être placé directement au-dessus du CHARGEUR.

Tout d'abord, mesurer à partir des deux bords du DESSUS au-dessus de votre chargeur, comme l'indique le schéma. Ensuite, faire une marque légère où les deux mesures se croisent. Ensuite, centrer l'AUTOCOLLANT sur la marque et le coller sur le DESSUS.

ÉTAPE 30

Pour ajuster le tiroir, desserrer la VIS n° 4 dans les COULISSES un quart de tour et tourner ensuite la came dans le sens des aiguilles d'une montre ou dans le sens contraire. Noter que le tiroir monte ou descend lorsque l'on tourne la came. Ajuster le tiroir de cette manière permet au DEVANT DE TIROIR d'être mieux aligné une fois fermé. Resserrer les VIS après d'avoir ajusté.

ÉTAPE 31

REMARQUE : Ajuster le LOQUETEAU MAGNÉTIQUE vers l'intérieur où vers l'extérieur de sorte que la PLAQUE DE BUTÉE de la PORTE se connecte avec elle lorsque la porte est fermée.

REMARQUE : Prière de lire les informations importantes sur la sécurité figurant sur les pages arrière du manuel d'instructions.

Ceci complète l'assemblage. Nettoyer avec un tissu humide. Essuyer.

Dépannage

A. DÉFAUTS DE CHARGEUR/D'ADAPTATEUR/DE PRISE

- 1) Le câble du chargeur USB est-il branché dans l'adaptateur mural ?
(conditions normales : oui)
- 2) L'adaptateur mural est-il branché dans la prise de courant ?
(conditions normales : oui)
- 3) La prise de courant fonctionne-t-elle ?
(conditions normales : oui)
- 4) Le chargeur fonctionne-t-il une fois branché dans une autre prise de courant ?
(conditions normales : oui)
- 5) Utilise-t-on l'adaptateur mural fourni de sortie 2 A ? Fonctionne-t-il ?
(conditions normales : oui)
- 6) Des fils électriques sont-ils exposés ?
(conditions normales : non)
- 7) Un voyant rouge brille-t-il d'en-dessus le chargeur quand il est branché ?
(conditions normales : oui)

B. ERREURS D'INSTALLATION

- 8) Le chargeur est-il complètement inséré dans le trou du mobilier ?
(conditions normales : oui)
- 9) Le chargeur a-t-il été fixé en place à l'aide des vis fournies ?
(conditions normales : oui)
- 10) Les instructions ont-elles été suivies pour placer l'autocollant de point de charge sans fil sur le point de charge ? Est-ce exact ?
(conditions normales : oui)

C. CONDITIONS DE FONCTIONNEMENT - PROBLÈMES DE TÉLÉPHONE/DE COQUE

- 11) Le smartphone est-il listé dans la liste de compatibilité officielle ?
(conditions normales : oui)
- 12) Le téléphone utilisé comporte-t-il une coque en métal ?
(conditions normales : non)
- 13) La coque fait-elle plus de 3 mm d'épaisseur ?
(conditions normales : non)
- 14) Le téléphone fonctionne-t-il avec la plus récente version de logiciel ?
(conditions normales : oui)
- 15) Le téléphone est-il tombé ou a-t-il subi des dommages avant d'utiliser le chargeur sans fil ?
(conditions normales : non)
- 16) Lorsqu'un smartphone est correctement placé sur le point de charge, on entend un simple bip. Si le smartphone n'est pas compatible, on entend trois bips.
Quel son le chargeur émet-il quand on place un smartphone compatible sur le point de charge ?
(SI PRÉSENCE DE SON, LA SECTION A N'EST PAS LE PROBLÈME)
(SI ABSENCE DE SON, LE PROBLÈME SE TROUVE DANS LA SECTION A OU B)
(conditions normales : un seul bip quand le chargeur démarre)
- 17) Le smartphone est-il correctement aligné sur le point de charge ?
(conditions normales : oui)

Use estas instrucciones de ensamblaje en español junto con las figuras paso-a-paso provistas en el folleto inglés. Cada paso en español corresponde al mismo paso en inglés. Compare la "Lista de Part" abajo con la "Part Identification" en el folleto en inglés para familiarizarse con Las partes de ensamblaje.

NOTA: ESTE FOLLETO DE INSTRUCCIONES CONTIENE INFORMACIÓN **IMPORTANTE** SOBRE LA SEGURIDAD. POR FAVOR LEA Y GUÁRDELO PARA REFERENCIA EN EL FUTURO.

CONTÁCTENOS PRIMERO

ANTES DE HACER DEVOLUCIONES A LA TIENDA.

Tratamos de asegurar que su mueble llega en condición excelente. Nuestros representantes de Servicio al Cliente son amables y listos para ayudarle con servicio rápido y eficiente si una parte está defectuosa o ausente (o si necesita ayuda con el ensamblaje). Llame este número sin cargo:

1-800-523-3987

Lunes a viernes, 9:00 a.m. - 5:30 p.m.

**Hora oficial del Este
(excepto días festivos)**

Si requiere un repuesto de una parte, será enviado dentro de 48 horas (excepto los fines de semana y días festivos)

Anote la fecha de comprar esta unidad y guarde el folleto para su referencia futura. Si necesita ponerse en contacto con Sauder en cuanto a esta unidad, refiérase al número de lote y al número de modelo cuando llame a nuestro número gratis.

No. lote: _____

Fecha de compra: _____

LISTA DE PARTES			LISTA DE PARTES		
ITEM	DESCRIPCIÓN	CANTIDAD	ITEM	DESCRIPCIÓN	CANTIDAD
A	EXTREMO DERECHO.....	1	15F	PASADOR DE MADERA.....	8
B	EXTREMO IZQUIERDO.....	1	17F	CONECTOR DE MOLDURA.....	2
C	FALDÓN PEQUEÑO.....	4	37F	SUJETADOR TWIST-LOCK®.....	14
D	FALDÓN GRANDE.....	4	4G	SOPORTE DE METAL.....	8
D78	DORSO DE CAJÓN.....	1	31G	MÉNSULA DE ESQUINA.....	8
D87	LADO DERECHO DE CAJÓN.....	1	42H	BISAGRA.....	2
D88	LADO IZQUIERDO DE CAJÓN.....	1	3I	AGARRADOR MAGNÉTICO.....	1
D708	FONDO DE CAJÓN.....	1	6I	PLACA DE CONTACTO.....	1
E	ESTANTE AJUSTABLE.....	1	191K	TIRADOR.....	2
F	VELO DE FONDO.....	1	1P	CUBIERTA DE OJAL.....	3
G	CARA DE CAJÓN.....	1	4P	GRAPA DE CABLE.....	4
H	FONDO.....	2	10P	OJAL.....	3
J	ESTANTE AJUSTABLE SUPERIOR.....	1	105P	CUBIERTA DE SUJETADOR TWIST-LOCK®.....	10
K	ESTANTE INMÓVIL.....	1	10R	SOPORTE DE ESTANTE.....	8
L	MOLDURA DERECHA DE PANEL SUPERIOR.....	1		CARGADOR COMPATIBLE Qi INALÁMBRICO OCULTO de EGGTRONIC - Artículo 425905 (se vende por separado)	
M	MOLDURA DELANTERA DE PANEL SUPERIOR.....	1	1S	TORNILLO NEGRO DE CABEZA GRANDE de 14 mm.....	73
N	PANEL SUPERIOR.....	1	3S	TORNILLO DORADO DE CABEZA PERDIDA de 8 mm.....	8
O	DORSO.....	2	11S	TORNILLO NEGRO DE CABEZA PERDIDA de 13 mm.....	1
P	MOLDURA IZQUIERDA DE PANEL SUPERIOR.....	1	26S	TORNILLO NEGRO DE CABEZA PERDIDA de 57 mm.....	4
Q	MOLDURA DE ESTANTE.....	1	30S	TORNILLO NEGRO DE CABEZA PERDIDA de 40 mm.....	4
R	PARAL IZQUIERDO.....	1	37S	TORNILLO NEGRO PARA METAL de 22 mm.....	4
S	PARAL DERECHO.....	1	55S	TORNILLO MARRÓN DE CABEZA PERDIDA de 41 mm.....	8
T	PUERTA.....	1	113S	TORNILLO NEGRO DE CABEZA PERDIDA de 50 mm.....	8
(JUEGO DE EXTENSIÓN SE MUESTRA POR SEPARADO)					
40MA	RIEL DE EXTENSIÓN.....	2			
40MC	CORREDERA DE EXTENSIÓN.....	2			
10A	EXCÉNTRICO DE CORREDERA.....	2			
6B	CORRIMIENTO DE ARCHIVERO.....	2			
8B	VARILLA DE ARCHIVERO.....	2			

PASO 1

Ensamble la unidad sobre un piso alfombrado o sobre el cartón vacío para evitar rayar la unidad o el piso.

Empuje cuatro GRAPAS DE CABLE (4P) en los agujeros del PANEL SUPERIOR (N).

NOTA: Se utilizan las GRAPAS DE CABLE para mantener los cables eléctricos contra el PANEL SUPERIOR.

PASO 2

Ligeramente clave dos CONECTORES DE MOLDURA (17F) en las muescas de las MOLDURAS (L, M y P).

PASO 3

Vuelva las MOLDURAS (L, M y P) al revés y fije las al PANEL SUPERIOR (N). Utilice ocho TORNILLOS MARRONES DE CABEZA PERDIDA de 41 mm (55S).

NOTA: Comience a atornillar cada TORNILLO unas vueltas antes de apretar cualquier tornillo firmemente.

NOTA: No apriete en exceso los TORNILLOS en el PANEL SUPERIOR.

Guía de uso de herrajes

CÓMO UTILIZAR EL SUJETADOR TWIST-LOCK®

- Empuje un SUJETADOR TWIST-LOCK® dentro del agujero grande en la parte.
1. Inserte el extremo con cabilla del SUJETADOR en el agujero de la parte adjunta.

NOTA: El extremo con cabilla del SUJETADOR debe quedarse completamente insertado en el agujero de la parte adjunta cuando se enclava el SUJETADOR.

2. Apriete el SUJETADOR lo más apretado posible con un destornillador Phillips (cruz).

PASO 4

No apriete los SUJETADORES TWIST-LOCK® en este paso.

Empuje dos SUJETADORES TWIST-LOCK® SAUDER (37F) en los agujeros grandes del VELO DE FONDO (F).

PASO 5

Fije el VELO DE FONDO (F) al PANEL SUPERIOR (N). Apriete dos SUJETADORES TWIST-LOCK®.

PASO 6

No apriete los SUJETADORES TWIST-LOCK® en este paso.

Empuje cuatro SUJETADORES TWIST-LOCK® SAUDER (37F) en los agujeros grandes del EXTREMO IZQUIERDO (B) y del PARAL IZQUIERDO (R).

Inserte cuatro PASADORES DE MADERA (15F) en el EXTREMO IZQUIERDO (B) y en el PARAL IZQUIERDO (R).

PASO 7

Separe las CORREDERAS DE EXTENSIÓN (40MC) de los RIELES DE EXTENSIÓN (40MA) como se muestra en el diagrama superior más abajo. Prepárese, las piezas son grasientas.

Fije los RIELES DE EXTENSIÓN (40MA) al EXTREMO IZQUIERDO (B) y al PARAL IZQUIERDO (R). Utilice cuatro TORNILLOS DORADOS DE CABEZA PERDIDA de 8 mm (3S) a través de los agujeros No. 1 y No. 3.

NOTA: Para cada RIEL DE EXTENSIÓN, atornille un TORNILLO dentro del agujero indicado en el diagrama ampliado. A continuación, deslice el cartucho interno del RIEL DE EXTENSIÓN hacia el interior para encontrar el otro agujero que se alinea con el agujero del EXTREMO y PARAL. Atornille un TORNILLO dentro de este agujero.

NOTA: Las CORREDERAS DE EXTENSIÓN se utilizarán más tarde para la CAJONE.

PASO 8

Fije el PARAL IZQUIERDO (R) al PANEL SUPERIOR (N). Apriete dos SUJETADORES TWIST-LOCK®.

NOTA: Asegúrese de que los PASADORES DE MADERA del PARAL IZQUIERDO se inserten en el PANEL SUPERIOR.

Fije el PARAL IZQUIERDO (R) al VELO DE FONDO (F). Utilice dos TORNILLOS NEGROS DE CABEZA PERDIDA de 57 mm (26S).

PASO 9

Empuje cuatro SUJETADORES TWIST-LOCK® SAUDER (37F) en los agujeros grandes del ESTANTE INMÓVIL (K).

Fije el ESTANTE INMÓVIL (K) al PARAL IZQUIERDO (R). Apriete dos SUJETADORES TWIST-LOCK®.

PASO 10

Fije el EXTREMO IZQUIERDO (B) al ESTANTE INMÓVIL (K) y al PANEL SUPERIOR (N). Apriete cuatro SUJETADORES TWIST-LOCK®.

NOTA: Asegúrese de que los PASADORES DE MADERA en el EXTREMO IZQUIERDO se introduzcan en la MOLDURA IZQUIERDA DE PANEL SUPERIOR.

PASO 11

No apriete los SUJETADORES TWIST-LOCK® en este paso.

Empuje cuatro SUJETADORES TWIST-LOCK® SAUDER (37F) en los agujeros grandes del EXTREMO DERECHO (A) y del PARAL DERECHO (S).

Inserte cuatro PASADORES DE MADERA (15F) en el EXTREMO DERECHO (A) y en el PARAL DERECHO (S).

PASO 12

Fije el PARAL DERECHO (S) al PANEL SUPERIOR (N). Apriete dos SUJETADORES TWIST-LOCK®.

NOTA: Asegúrese de que los PASADORES DE MADERA del PARAL DERECHO se inserten en el PANEL SUPERIOR.

Fije el PARAL DERECHO (S) al VELO DE FONDO (F). Utilice dos TORNILLOS NEGROS DE CABEZA PERDIDA de 57 mm (26S).

PASO 13

Fije el EXTREMO DERECHO (A) al PANEL SUPERIOR (N). Apriete dos SUJETADORES TWIST-LOCK®.

NOTA: Asegúrese de que los PASADORES DE MADERA del EXTREMO DERECHO se inserten en el PANEL SUPERIOR.

Deslice los DORSOS (O) en las ranuras de los EXTREMOS (A y B) y de los PARALES (R y S).

NOTA: Asegúrese de que la muesca de cada DORSO se inserte primero en los EXTREMOS (A y B).

PASO 14

Fije los FONDOS (H) a los EXTREMOS (A y B) y a los PARALES (R y S). Utilice ocho TORNILLOS NEGROS DE CABEZA PERDIDA de 50 mm (113S).

NOTA: Comience a atornillar cada TORNILLO unas vueltas antes de apretar cualquier tornillo firmemente.

PASO 15

Fije las MÉNSULAS DE ESQUINA (31G) a los FONDOS (H) exactamente como se muestra. Utilice dieciséis TORNILLOS NEGROS DE CABEZA GRANDE de 14 mm (1S).

PASO 16

Fije dos SOPORTES DE METAL (4G) a un par de FALDONES (C y D). Utilice dos TORNILLOS NEGROS DE CABEZA GRANDE de 14 mm (1S).

NOTA: Asegúrese de que los SOPORTES estén nivelados con los bordes de los FALDONES.

Repita este paso para los otros FALDONES.

PASO 17

Fije los FALDONES GRANDES (D) a las MÉNSULAS DE ESQUINA sujetadas a los FONDOS (H). Utilice dieciséis TORNILLOS NEGROS DE CABEZA GRANDE de 14 mm (1S).

Fije los FALDONES GRANDES (D) a los FONDOS (H). Pase cuatro TORNILLOS NEGROS DE CABEZA GRANDE de 14 mm (1S) a través de los SOPORTES DE METAL situados a los FALDONES y en los agujeros del FONDO.

PASO 18

Fije los FALDONES PEQUEÑOS (C) a las MÉNSULAS DE ESQUINA sujetadas a los FONDOS (H). Utilice dieciséis TORNILLOS NEGROS DE CABEZA GRANDE de 14 mm (1S).

Fije los FALDONES PEQUEÑOS (C) a los FONDOS (H). Pase cuatro TORNILLOS NEGROS DE CABEZA GRANDE de 14 mm (1S) a través de los SOPORTES DE METAL situados a los FALDONES y en los agujeros del FONDO.

PASO 19

Cargador compatible Qi inalámbrico oculto de Eggtronic (se vende por separado) opcional

Este mueble acomoda un Cargador Compatible Qi Inalámbrico Oculto de Eggtronic opcional (Artículo 425905) para cargar su celular. Elimine el desorden y la inconveniencia de un cargador. Cargue su teléfono simplemente colocándolo en la parte superior de sus muebles.

Para comprar el Cargador inalámbrico, escanee este código QR. (o vaya al sauder.com)

Lista de Teléfonos Inteligentes Aprobados Compatibles con Qi

El sistema de carga inalámbrico integrado está diseñado para los siguientes teléfonos inteligentes:

- Apple (iPhone 8 o más reciente)
- Samsung (Galaxy 6 o más reciente)

Para obtener un listado completo artículos compatibles, vaya al sauder.com.

Si no compró el Cargador Compatible Qi Inalámbrico Oculto de Eggtronic, vaya al Paso 21.

Si compró el Cargador Compatible Qi Inalámbrico Oculto de Eggtronic, vaya al siguiente paso.

PASO 20

Cargador compatible Qi inalámbrico oculto de Eggtronic (se vende por separado) opcional

ADVERTENCIA: Por favor utilice el puerto de carga inalámbrico de forma correcta y segura. El mal uso puede causar riesgos de seguridad o daño a las unidades o artículos domésticos. Lea cuidadosamente la siguiente información de seguridad.

- EVITAR dejar caer
- NUNCA use en o cerca del agua
- NO desarmar
- NO exponer a líquidos
- NO lo use con un cable de extensión

Para una carga más segura y rápida, solo use cables originales o certificados.

Inserte el CARGADOR COMPATIBLE Qi INALÁMBRICO OCULTO de EGGTRONIC en uno de los agujeros grandes en el PANEL SUPERIOR (N).

Utilice los dos TORNILLOS incluidos con el CARGADOR para asegurar el cargador en el PANEL SUPERIOR (N).

NOTA: No hay agujeros perforados en los agujeros grandes en el PANEL SUPERIOR para el CARGADOR. Los lados del CARGADOR se expandirán hacia los lados del agujero grande mientras aprieta los TORNILLOS.

PASO 21

Deslice una MOLDURA DE ESTANTE* (Q) sobre el borde con muesca del ESTANTE SUPERIOR AJUSTABLE (J).

*Patente EE. UU. No. 5,499,886

PASO 22

Cuidadosamente ponga la unidad en posición vertical.

Inserte dos OJALES (10P) y dos CUBIERTAS DE OJAL (1P) en los agujeros grandes del PANEL SUPERIOR (N).

Inserte un OJAL (10P) y la CUBIERTA DE OJAL (1P) en el PARAL DERECHO (S).

Empuje un AGARRADOR MAGNÉTICO (3I) en el PARAL DERECHO (S).

Inserte los SOPORTES DE ESTANTE (10R) en los agujeros al nivel preferido de los EXTREMOS (A y B) y de los PARALES (R y S). Coloque los ESTANTES AJUSTABLES (E y J) sobre los SOPORTES DE ESTANTE.

PASO 23

Fije las BISAGRAS (31G) a la PUERTA (T). Utilice cuatro TORNILLOS NEGROS DE CABEZA GRANDE de 14 mm (1S).

NOTA: Las BISAGRAS se envuelvan alrededor el borde superior de la PUERTA.

Fije la PLACA DE CONTACTO (6I) a la PUERTA (T). Utilice el TORNILLO NEGRO DE CABEZA PERDIDA de 13 mm (11S).

PASO 24

Fije la PUERTA (T) al EXTREMO DERECHO (A). Utilice cuatro TORNILLOS NEGROS DE CABEZA GRANDE de 14 mm (1S).

Fije un TIRADOR (191K) a la PUERTA (T). Utilice dos TORNILLOS NEGROS PARA METAL de 22 mm (37S).

PASO 25

1. Inserte los LADOS DE CAJÓN (D87 y D88) en ángulo en el encaje en cada extremo de la CARA DE CAJÓN (G).

2. Deslice el FONDO DE CAJÓN (D708) en las ranuras de los LADOS DE CAJÓN (D87 y D88) y de la CARA DE CAJÓN (G).

3. Fije el DORSO DE CAJÓN (D78) a los LADOS DE CAJÓN (D87 y D88). Utilice cuatro TORNILLOS NEGROS DE CABEZA PERDIDA de 40 mm (30S).

NOTA: Asegúrese de que el FONDO DE CAJÓN (D708) ajuste en la ranura del DORSO DE CAJÓN (D78).

PASO 26

Inserte un EXCÉNTRICO DE CORREDERA (10A) en los LADOS DE CAJÓN (D87 y D88).

Fije las CORREDERAS DE EXTENSIÓN (40MC) a los LADOS DE CAJÓN (D87 y D88). Utilice cuatro TORNILLOS DORADOS DE CABEZA PERDIDA de 8 mm (3S) a través de los agujeros No. 1 y No. 4.

NOTA: La cabeza de tornillo del EXCÉNTRICO debe ser visible a través del agujero alargado de la CORREDERA.

Fije un TIRADOR (191K) a la CARA DE CAJÓN (G). Utilice dos TORNILLOS NEGROS PARA METAL de 22 mm (37S).

PASO 27

Empuje un CORRIMIENTO DE ARCHIVERO (6B) sobre el LADO DERECHO DE CAJÓN (D87).

Deslice las VARILLAS DE ARCHIVERO (8B) dentro del CORRIMIENTO DE ARCHIVERO (6B) sujeta a al LADO DERECHO DE CAJÓN (D87).

PASO 27 (CONTINUACIÓN)

Deslice otro CORRIMIENTO DE ARCHIVERO (6B) sobre el otro extremo de las VARILLAS DE ARCHIVERO (8B) y presione este CORRIMIENTO DE ARCHIVERO sobre el LADO IZQUIERDO DE CAJÓN (D88).

PASO 28

Para insertar el cajón dentro de la unidad, alinee las CORREDERAS DE EXTENSIÓN sujetadas al cajón con los RIELES DE EXTENSIÓN sujetados a la unidad y empuje el cajón dentro de la unidad hasta que el cajón esté completamente insertado. El cajón mueve con dificultad hasta que se inserten completamente dentro de la unidad, después deslizarán fácilmente hacia adentro y hacia afuera.

Con un martillo, empuje una CUBIERTA DE SUJETADOR TWIST-LOCK® (105P) sobre cada SUJETADOR TWIST-LOCK® visible.

PASO 29

Cargador compatible Qi inalámbrico oculto de Eggtronic (se vende por separado) opcional

IMPORTANTE: La ETIQUETA DE PUNTO DE CARGA INALÁMBRICA debe colocarse directamente encima del CARGADOR.

Primero, mida desde ambos bordes del PANEL SUPERIOR sobre su CARGADOR como se muestra. Luego, haga una pequeña marca donde se cruzan las dos medidas. Luego, centre la ETIQUETA sobre la marca y péguela en el PARNEL SUPERIOR.

PASO 30

Para ajustar el cajón, afloje el TORNILLO No. 4 de las CORREDERAS una cuarta vuelta y después gire la leva hacia la derecha o hacia la izquierda. Observe que el cajón sube o baja al girar la leva. Al ajustar el cajón de esta manera, mejorará la alineación de la CARA DE CAJÓN una vez cerrada. Apriete los TORNILLOS después de hacer los ajustes.

PASO 31

NOTA: Gire el AGARRADOR MAGNÉTICO hacia atrás o hacia adelante para que la PLACA DE CONTACTO de la PUERTA se conecte con él cuando la PUERTA esté cerrada.

NOTA: Por favor, lea las páginas de atrás del folleto de instrucciones en cuanto a importante información de seguridad.

Esto completa el ensamblaje. Limpiar con un trapo húmedo. Seque con un paño.

Solución de Problemas

A. CARGADOR/ADAPTADOR/DEFECTOS DE LA TOMA

- 1) ¿Está enchufado el cable USB del cargador en el adaptador de pared?
(condiciones normales: sí)
- 2) ¿Está el adaptador de pared enchufado a la toma de corriente?
(condiciones normales: sí)
- 3) ¿Funciona la toma de corriente?
(condiciones normales: sí)
- 4) ¿Funciona el cargador cuando está enchufado en otra toma de corriente?
(condiciones normales: sí)
- 5) ¿Está utilizando el adaptador de pared incluido de 2Amp? ¿Funciona?
(condiciones normales: sí)
- 6) ¿Ves algún cable eléctrico expuesto?
(condiciones normales: no)
- 7) ¿Una luz roja brilla desde abajo del cargador cuando está enchufado?
(condiciones normales: sí)

B. ERRORES DE INSTALACIÓN

- 8) ¿Está completamente insertado el cargador en el orificio de los muebles?
(condiciones normales: sí)
- 9) ¿Ajustaste el cargador en su lugar usando los tornillos proporcionados?
(condiciones normales: sí)
- 10) ¿Has seguido las instrucciones para colocar la etiqueta de punto de carga inalámbrica en el lugar de carga?
¿Esta preciso?
(condiciones normales: sí)

C. CONDICIONES DE FUNCIONAMIENTO – ASUNTOS DEL TELÉFONOS/ESTUCHES

- 11) ¿Su teléfono inteligente figura en la lista oficial de compatibilidad?
(condiciones normales: sí)
- 12) ¿Estás usando un estuche de teléfono que contenga metal?
(condiciones normales: no)
- 13) ¿Su estuche es de más de 3 mm de grosor?
(condiciones normales: no)
- 14) ¿Su teléfono está funcionando con la última actualización de software?
(condiciones normales: sí)
- 15) ¿Su teléfono se ha caído o a sufrido algún daño antes de usar el cargador inalámbrico?
(condiciones normales: no)
- 16) Cuando coloca correctamente un teléfono inteligente en el lugar de carga, se emite un solo pitido. Si el teléfono inteligente no es compatible, se emiten tres pitidos.
¿Qué sonido proviene del cargador cuando coloca un teléfono inteligente compatible en el lugar de carga?
(SI HAY ALGÚN SONIDO, ENTONCES LA SECCIÓN A NO ES EL PROBLEMA)
(SI NO HAY SONIDO, ENTONCES EL PROBLEMA ESTÁ EN LAS SECCIONES A O B)
(condiciones normales: un solo pitido cuando se inicia la carga)
- 17) ¿El teléfono inteligente está alineado correctamente con el punto de carga?
(condiciones normales: sí)

⚠ WARNING

Please use your furniture correctly and safely. Improper use can cause safety hazards, or damage to your furniture or household items. *Carefully read the following chart.*

Look out for:	What can happen:	How to avoid the problem:
<ul style="list-style-type: none"> Overloaded shelves or drawers. Improper loading can cause the product to be top-heavy. 	<ul style="list-style-type: none"> Risk of injury. Top-heavy furniture can tip over. Overloaded shelves and drawers can break. 	<ul style="list-style-type: none"> Never exceed the weight limits shown in the instructions. Work from bottom to top when loading shelves and drawers. Place the heavier items on the lower shelves or in lower drawers.
<ul style="list-style-type: none"> Improperly moving furniture that is not designed and equipped with casters. 	<ul style="list-style-type: none"> Furniture can tip over or break if improperly moved. Physical injury. Furniture can be very heavy. Breakage of tops - particularly with double pedestal furniture (drawers at both ends). 	<ul style="list-style-type: none"> Unload shelves and drawers from top to bottom before moving the unit. Do not push furniture, especially on a carpeted floor. Have a friend help you lift the item and set it in place. Provide support to the center section of the top when lifting the furniture.
<ul style="list-style-type: none"> Placing TVs on furniture items that are not designed to support a television is hazardous. 	<ul style="list-style-type: none"> Risk of injury or death. TVs can be very heavy. Plus the weight and location of the picture tube tends to make TVs unbalanced and prone to tipping forward. 	<ul style="list-style-type: none"> This product is not designed to support a television.

AVERTISSEMENT

Prière d'utiliser le mobilier à bon escient et avec prudence. Une mauvaise utilisation peut être à l'origine de risques d'accident ou peut endommager le mobilier et les articles ménagers. **Lire attentivement le tableau suivant.**

À surveiller :	Danger éventuel :	Solution :
<ul style="list-style-type: none">• Tablettes ou tiroirs surchargés.• En cas de chargement inadéquat l'élément peut être lourd du haut.	<ul style="list-style-type: none">• Risque de blessure.• Du mobilier mal équilibré risque de se renverser.• Tablettes et tiroirs surchargés risquent de casser.	<ul style="list-style-type: none">• Ne jamais excéder les limites de poids indiquées dans les instructions.• Pour charger les tablettes et tiroirs, commencer par remplir celui du bas pour finir par celui du haut. Placer les articles plus lourds sur les tablettes inférieures ou dans les tiroirs inférieurs.
<ul style="list-style-type: none">• Déplacement inadéquat d'un mobilier qui n'est pas conçu pour avoir des roulettes et n'en est pas équipé.	<ul style="list-style-type: none">• Le mobilier risque de se renverser ou de casser en cas de déplacement inadéquat.• Blessure physique. Le mobilier peut être très lourd.• Défaillance des dessus surtout avec les éléments de double piédestaux (tiroirs en chaque extrémité).	<ul style="list-style-type: none">• Décharger les tablettes et tiroirs en commençant par celui du haut avant de déplacer l'élément.• Ne pas pousser le meuble, surtout sur la moquette. Se faire aider par une autre personne pour soulever l'élément et le mettre en place.• Supporter la section centrale du dessus lorsque l'on soulève le meuble.
<ul style="list-style-type: none">• Il est dangereux de placer des téléviseurs sur des meubles que ne sont pas prévus à cet effet.	<ul style="list-style-type: none">• Risque de blessures graves, voire mortelles. Les téléviseurs peuvent être particulièrement lourds. De plus, le poids et l'emplacement du tube image ont tendance à rendre les téléviseurs instables et enclins à tomber vers l'avant.	<ul style="list-style-type: none">• Ce produit n'est pas destiné à supporter un téléviseur.

⚠ ADVERTENCIA

Por favor use el mobiliario correcta y seguramente. El mal uso puede causar riesgos de seguridad o daño a las unidades o artículos domésticos. ***Cuidadosamente lea la tabla a continuación.***

Esté alerta de:	Puede ocurrir:	Evitar el problema:
<ul style="list-style-type: none">• Estantes o cajones sobrecargados.• Cargar el producto de manera inadecuada puede causar la inestabilidad.	<ul style="list-style-type: none">• Riesgo de lesiones.• El mobiliario inestable puede volcarse.• Estantes y cajones sobrecargados pueden romperse.	<ul style="list-style-type: none">• Nunca exceder los límites de peso indicados en las instrucciones.• Cargue los estantes y cajones a partir de la base y trabaje hacia arriba. Coloque los artículos más pesados sobre los estantes inferiores o en los cajones inferiores.
<ul style="list-style-type: none">• Mover incorrectamente el mobiliario que no está diseñado y provisto con ruedecitas.	<ul style="list-style-type: none">• La inclinación o rotura del mobiliario es posible si se mueve de manera inadecuada.• Lesión física. El mobiliario puede ser muy pesado.• Rotura de las superficies especialmente las unidades con dos pedestales (con cajones en cada extremo).	<ul style="list-style-type: none">• Descargue los estantes y cajones desde arriba hacia abajo antes de mover la unidad.• No empuje la unidad, especialmente sobre un piso alfombrado. Pide la ayuda de otra persona para levantar la unidad y colocarla en lugar.• Soporte la sección central del panel superior cuando levanta el mueble.
<ul style="list-style-type: none">• Es peligroso colocar los televisores sobre unidades de mobiliario que no están diseñadas para soportar un televisor.	<ul style="list-style-type: none">• Riesgo de lesiones o muerte. Los televisores pueden ser muy pesados. Además, el peso y la ubicación del tubo de imagen tienden a causar la inestabilidad de televisores y propensa a volcarse hacia adelante.	<ul style="list-style-type: none">• Este producto no está diseñado para soportar un televisor.

5-YEAR LIMITED WARRANTY

1. Sauder Woodworking Co. (Sauder®) provides limited warranty coverage to the original purchaser of this product for a period of five years from the date of purchase against defects in materials or workmanship of Sauder furniture components. As used in this Warranty, "defect" means imperfections in components which substantially impair the utility of the product. This Warranty gives you specific legal rights, and you may also have other rights which vary from state to state.

2. There is no warranty coverage for defects or conditions that result from the failure to follow product assembly instructions, information or warnings, misuse or abuse, intentional damage, fire, flood, alteration or modification of the product, or use of the product in a manner inconsistent with its intended use, nor any condition resulting from incorrect or inadequate maintenance, cleaning, or care. There is also no warranty coverage for rented products or any products purchased "used" or "as is", at a distress or going-out-of business sale, or from a liquidator.

3. As the exclusive remedy under this Warranty, Sauder will (at its sole option) repair, replace or refund the value of any defective furniture component. Sauder may require independent confirmation of the claimed defect and proof of purchase. Replacement parts will be warranted for only the remaining period of the original Warranty. SAUDER SHALL HAVE NO LIABILITY FOR ANY INCIDENTAL OR CONSEQUENTIAL DAMAGES OF ANY KIND and all such damages are EXCLUDED FROM THIS WARRANTY, such as loss of use, disassembly, transportation, labor or damage to property on or near the product. Some states do not allow the exclusion or limitation of incidental or consequential damages, so the above limitation or exclusion may not apply to you.

GARANTIE LIMITÉE DE 5 ANS

1. Sauder Woodworking Co. (Sauder®) offre une couverture de garantie limitée à l'acheteur initial du présent produit pendant une période de cinq ans à compter de la date d'achat contre tout défaut de matériaux ou de fabrication des composantes de mobilier Sauder. Le mot « défaut », tel qu'il est utilisé sous les termes de la présente garantie, comprend les imperfections des pièces qui empêchent substantiellement l'utilisation du produit. La présente garantie vous donne des droits légaux spécifiques et il est possible que vous ayez des droits supplémentaires variant d'État en État ou de province en province.

2. La présente garantie ne saurait couvrir les défauts ou conditions qui surviendraient à la suite du non respect des instructions, informations ou mises en garde de montage, d'une mauvaise utilisation ou d'un abus, d'un dommage intentionnel, d'un incendie, d'une inondation, d'une altération ou modification du produit, d'une utilisation du produit allant à l'encontre de son usage prévu, ni aucune condition résultant d'une maintenance, d'un nettoyage ou d'un entretien inappropriés ou inadéquats. De plus, il n'existe aucune garantie pour les produits loués ou tous les produits achetés « d'occasion » ou « en l'état », dans le cadre d'une vente aux enchères ou de solde pour cessation de commerce, ou auprès d'un liquidateur.

3. En tant que recours exclusif en vertu de la présente garantie, Sauder réparera, remplacera ou remboursera (sur sa seule décision) la valeur de toute composante de mobilier défectueuse. Sauder peut exiger une confirmation indépendante du défaut revendiqué ainsi qu'une preuve d'achat. Les pièces de rechange seront garanties uniquement pendant la période restante de la garantie originale. SAUDER NE SERA EN AUCUN CAS RESPONSABLE DE TOUT DOMMAGE ACCESSOIRE OU CONSÉCUTIF DE TOUTE SORTE et lesdits dommages sont EXCLUS DE LA PRÉSENTE GARANTIE, à savoir perte d'utilisation, démontage, transport, main d'œuvre ou dommages matériels sur ou à proximité du produit. Certains États ou provinces ne permettant pas l'exclusion ou la limite aux responsabilités pour dommages accidentels ou consécutifs, la limite ou l'exclusion ci-dessus peut ne pas être applicable.

GARANTÍA LIMITADA DE 5 AÑOS

1. Sauder Woodworking Co. (Sauder®) provee cobertura de garantía limitada al comprador original de este producto por un período de cinco años, a partir de la fecha de compra, contra defectos en los materiales o de mano de obra en los componentes de muebles Sauder. Como es utilizado en esta Garantía, "defecto" significa imperfecciones en los componentes que de manera fundamental afecta la utilidad del producto. Esta Garantía le permite a usted ciertos derechos legales, y usted también podría poseer otros derechos adicionales, los cuales varían de estado a estado.

2. No hay cobertura de garantía para defectos o estados que resulten del incumplimiento en seguir las instrucciones, la información o las advertencias sobre el ensamblaje del producto; del uso incorrecto o maltrato, del daño intencional, incendio, inundación, cambio o modificación del producto; o de la utilización del producto de manera contradictoria con el uso para el cual fue fabricado, ni por ningún estado que resulte del mantenimiento, limpieza o cuidado incorrecto o inadecuado. Tampoco no hay cobertura de garantía para los productos rentados o para cualesquiera productos comprados "de uso" o "como está", en una venta de bienes embargados o en una venta por salirse del negocio, o comprados a un liquidador.

3. Como un recurso exclusivo bajo esta Garantía, Sauder (sólo a su opción) reparará, reemplazará o reembolsará el valor de cualquier componente defectuoso de mueble. Sauder puede requerir una confirmación independiente de un defecto reclamado y una prueba de compra. Las piezas de repuesto serán garantizadas solamente por el período de tiempo que queda de la Garantía original. SAUDER NO TENDRÁ RESPONSABILIDAD POR NINGÚN DAÑO INCIDENTAL O CONSUCUENTE DE NINGÚN TIPO y todos dichos daños SE EXCLUYEN DE ESTA GARANTÍA, tales como pérdida de uso, desensamblaje, transportación, trabajo o daño a la propiedad en o cerca del producto. Algunos estados no permiten la exclusión o limitación de daños incidentales o consecuentes, en tales instancias la limitación o exclusión antes mencionada podría no ser aplicable a usted.

4. This Warranty applies only to warranted defects that first arise and are reported to Sauder within the warranty coverage period. The Warranty cannot be transferred to subsequent owners or users of the product, and it shall be immediately void in the event the product is resold, transferred, leased or rented to any third party or person other than the original purchaser.

5. THERE ARE NO OTHER WARRANTIES APPLICABLE TO THIS PRODUCT. Under the laws of certain states, there may be no implied warranties from Sauder and all implied warranties, INCLUDING ANY IMPLIED WARRANTY OF MERCHANTABILITY OR FITNESS FOR A PARTICULAR PURPOSE are disclaimed where allowed by law. TO THE EXTENT ANY IMPLIED WARRANTIES ARE APPLICABLE, ANY IMPLIED WARRANTIES, INCLUDING ANY IMPLIED WARRANTY OF MERCHANTABILITY OR FITNESS FOR A PARTICULAR PURPOSE, ARE LIMITED IN DURATION TO THE DURATION OF THIS EXPRESS WARRANTY or the minimum period allowed by law, whichever is shorter. Some states do not allow limitations on how long an implied Warranty lasts, so the above limitation may not apply to you.

6. For Warranty inquiries or claims, please visit our website www.sauder.com. You can also contact Sauder at 1.800.523.3987. Sauder may require Warranty claims to be submitted in writing to: Sauder Woodworking Co., 502 Middle Street, Archbold, OH 43502 USA. Please include your sales receipt or other proof of purchase and a specific description of the product defect.

4. La présente garantie ne s'applique qu'aux défauts garantis qui se produisent pour la première fois et qui sont signalés à Sauder dans les limites de couverture de la garantie. La garantie ne peut pas être transférée à des propriétaires ou utilisateurs subséquents du produit, et sera immédiatement invalidée dans le cas où le produit est revendu, transféré, loué sous bail ou loué à une tierce partie ou personne autre que l'acheteur original.

5. IL N'EXISTE AUCUNE AUTRE GARANTIE EN VIGUEUR POUR LE PRÉSENT PRODUIT. En vertu des lois de certains États ou provinces, il ne peut y avoir de garanties implicites de la part de Sauder et toutes les garanties implicites, Y COMPRIS TOUTE GARANTIE IMPLICITE DE COMMERCIALITÉ OU D'ADAPTATION À UN USAGE PARTICULIER sont déclinées partout où la loi l'autorise. DANS LA MESURE OÙ TOUTE GARANTIE IMPLICITE EST APPLICABLE, TOUTE GARANTIE IMPLICITE, Y COMPRIS TOUTE GARANTIE DE COMMERCIALITÉ OU D'ADAPTATION À UN USAGE PARTICULIER, EST LIMITÉE À LA DURÉE DE LA PRÉSENTE GARANTIE EXPRESSE ou à la période minimum autorisée par la loi, la période la plus courte étant retenue. Certains États ne permettant pas que des limites soient imposées quant à la durée d'une garantie implicite, la limite ci-dessus peut donc ne pas être applicable.

6. Pour toute question concernant la garantie ou toute demande de réclamation, consulter le site Web www.sauder.com. Il est également possible de contacter Sauder en composant le 1.800.523.3987. Sauder peut exiger de soumettre les demandes de réclamation sous garantie par écrit à : Sauder Woodworking Co., 502 Middle Street, Archbold, OH 43502 USA. Veuillez joindre votre ticket de caisse ou toute autre preuve d'achat ainsi qu'une description spécifique du défaut de produit.

4. Esta Garantía sólo es aplicable a defectos garantizados que primeramente surjan y se informen a Sauder dentro del período de cobertura de garantía. La Garantía no puede ser transferida a propietarios o usuarios subsiguientes del producto, y ésta será inmediatamente invalidada en el caso que el producto sea revendido, transferido, arrendado o rentado a cualquier tercero u otra persona que no sea el comprador original.

5. NO HAY OTRA GARANTÍA APLICABLE A ESTE PRODUCTO. Bajo las leyes de ciertos estados, pueden no haber garantías implícitas de Sauder y se hace renuncia de responsabilidad de todas las garantías implícitas donde lo permita la ley, INCLUYENDO CUALQUIER GARANTÍA IMPLICITA DE MERCANTABILIDAD O DE APTITUD PARA UN PROPOSITO EN PARTICULAR. EN LA MEDIDA CUALQUIER GARANTÍA IMPLICITA ES APLICABLE, CUALESQUIERA GARANTÍAS IMPLICITAS, INCLUYENDO AQUELLA DE MERCANTABILIDAD O DE APTITUD PARA UN PROPOSITO EN PARTICULAR, SE LIMITAN EN DURACIÓN HASTA LA DURACIÓN DE ESTA GARANTÍA IMPLICITA o hasta el periodo mínimo permitido por la ley, la que sea más corta. Algunos estados no permiten limitaciones en cuanto a la duración de una garantía implícita, por eso la limitación arriba citada pueda no ser aplicable a usted.

6. Para solicitud de información o reclamación de Garantía, por favor, visite nuestro sitio Web www.sauder.com. Usted también puede contactar a Sauder llamando al 1.800.523.3987. Sauder puede solicitar que las reclamaciones sean presentadas por escrito a: Sauder Woodworking Co., 502 Middle Street, Archbold, OH 43502 USA. Por favor incluya su recibo de venta u otra prueba de compra y una descripción detallada del defecto del producto.

CONTACT US FIRST BEFORE MAKING ANY RETURNS TO THE RETAILER.

Dear Valued Customer:

Thanks so much for choosing Sauder® furniture. I hope the purchase and assembly process was a positive experience and you feel good about the furniture you just built.

My grandfather, Erie Sauder, founded the company in 1934 and later invented and patented the first commercially successful ready-to-assemble tables. We strive to hold true to his core values of innovation, integrity, servanthood and stewardship.

Sauder products are made with environmentally responsible materials and world-class manufacturing processes. Our 2,000+ dedicated employees in Archbold, Ohio, along with our global manufacturing partners, are committed to providing you furniture with great value, style and quality.

From our family to you. Enjoy!



Kevin J. Sauder
President/CEO



Register your new product online

For immediate service, our website is available 24 hours per day, 7 days per week, to order replacement parts, access assembly tips, register your product and view Sauder products. www.sauder.com/service

So, how did it go?

Set a world record for speed?
Feeling good about yourself?
Nice. Get social with it on any of these quality share sites.



If you need assistance or want to learn more, please contact our award-winning, Ohio-based customer service team at **1-800-523-3987** Monday-Friday - 9 a.m. to 5:30 p.m. EST (except holidays) or at sauder.com/service.



And don't forget to rate and review your piece at Sauder.com in the product detail page.



General Conformity Certificate

1. This certificate applies to the Sauder Woodworking Product identified by this Instruction Book.
2. This certificate applies to compliance of this product with the CPSC Ban on Lead-Containing Paint (16 CFR 1303).
3. This product is manufactured by:
Sauder Woodworking Company
502 Middle St.
Archbold, OH 43502
419-446-2711
4. Date of Manufacture: _____

