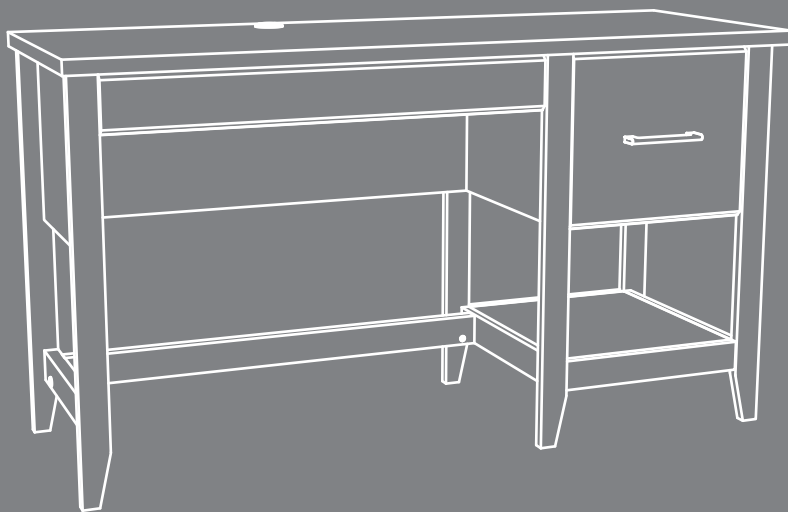


CONTACT US FIRST BEFORE MAKING ANY RETURNS TO THE RETAILER.

Visit [sauder.com/service](https://www.sauder.com/service) to order replacement parts, view video assembly tips, or chat with a live rep.

Prefer the phone? Give us a ring at 1-800-523-3987.

Customer Service is available Monday-Friday - 9 a.m. to 5:30 p.m. EST (except holidays)



The original **desktop**.

Desk

Summit Station Collection | **Model 425015**

Sauder.com

Share your journey!



NOTE: THIS INSTRUCTION BOOKLET CONTAINS **IMPORTANT** SAFETY INFORMATION.

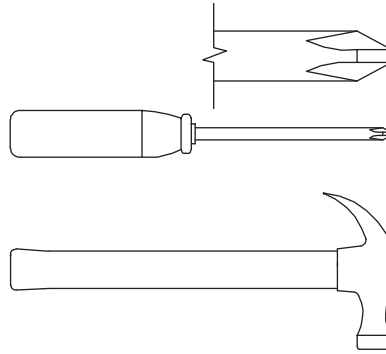
PLEASE READ AND KEEP FOR FUTURE REFERENCE.

English pg 1-28
Français pg 29-32
Español pg 33-36

Lot # **547346**
Purchased: _____

05/05/20

| | |
|-------------------------|-------|
| Part Identification | 3 |
| Hardware Identification | 4-5 |
| Assembly Steps | 6-28 |
| Français | 29-32 |
| Español | 33-36 |
| Safety | 37-38 |
| Warranty | 39 |



No. 2 Phillips Screwdriver
Tip Shown Actual Size

Hammer
Not actual size 😊

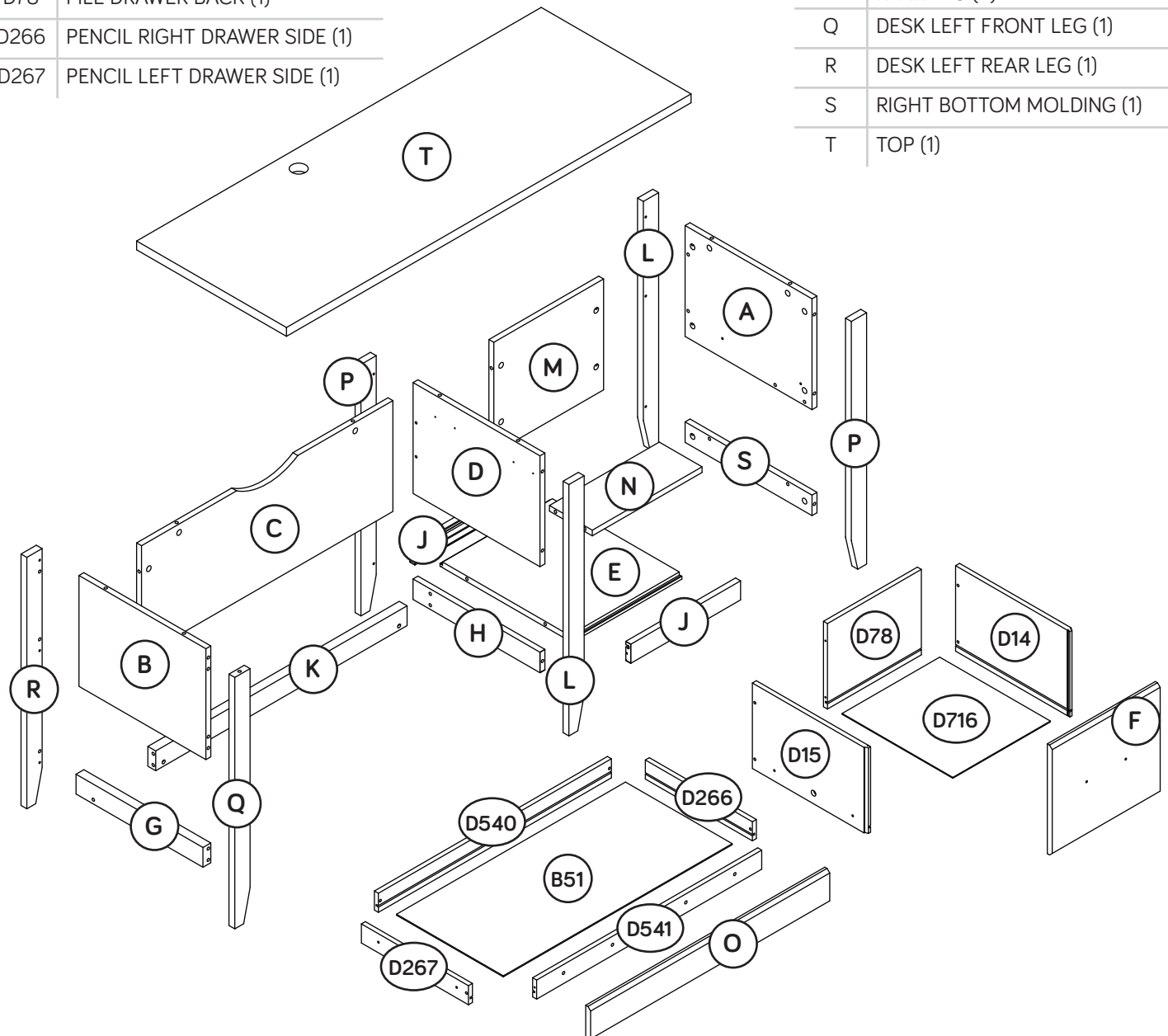
Part Identification

Now you know
our ABCs.



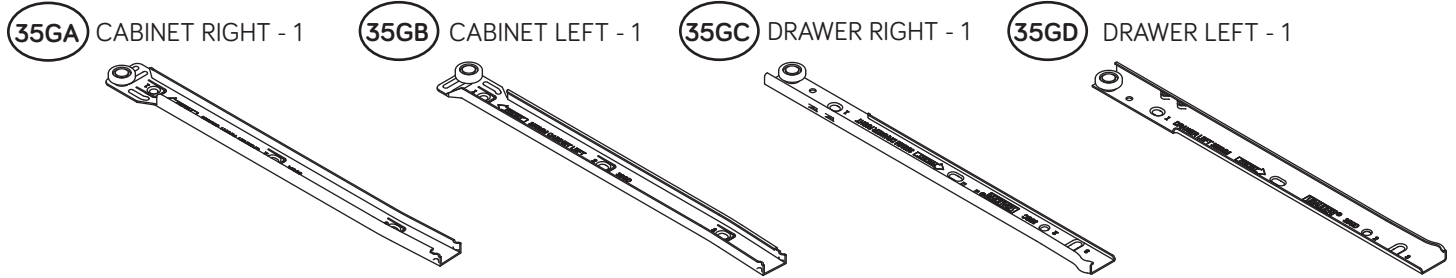
† While not all parts are labeled, some of the parts will have a label or an inked letter on the edge to help distinguish similar parts from each other. Use this part identification to help identify similar parts.

| | | | | | |
|------|------------------------------|------|-----------------------------|---|--|
| A | RIGHT END (1) | D540 | PENCIL DRAWER BACK (1) | J | FRONT/BACK MOLDING (2) |
| B | LEFT END (1) | D541 | PENCIL DRAWER BOX FRONT (1) | K | LONG BRACE (1) |
| B51 | PENCIL DRAWER BOTTOM (1) | D716 | FILE DRAWER BOTTOM (1) | L | PEDESTAL LEFT FRONT/RIGHT REAR LEG (2) |
| C | MODESTY PANEL (1) | E | BOTTOM (1) | M | BACK (1) |
| D | UPRIGHT (1) | F | FILE DRAWER FRONT (1) | N | BRACE (1) |
| D14 | FILE RIGHT DRAWER SIDE (1) | G | LEFT BRACE (1) | O | PENCIL DRAWER FRONT (1) |
| D15 | FILE LEFT DRAWER SIDE (1) | H | LEFT BOTTOM MOLDING (1) | P | PEDESTAL RIGHT FRONT/LEFT REAR LEG (2) |
| D78 | FILE DRAWER BACK (1) | | | Q | DESK LEFT FRONT LEG (1) |
| D266 | PENCIL RIGHT DRAWER SIDE (1) | | | R | DESK LEFT REAR LEG (1) |
| D267 | PENCIL LEFT DRAWER SIDE (1) | | | S | RIGHT BOTTOM MOLDING (1) |
| | | | | T | TOP (1) |

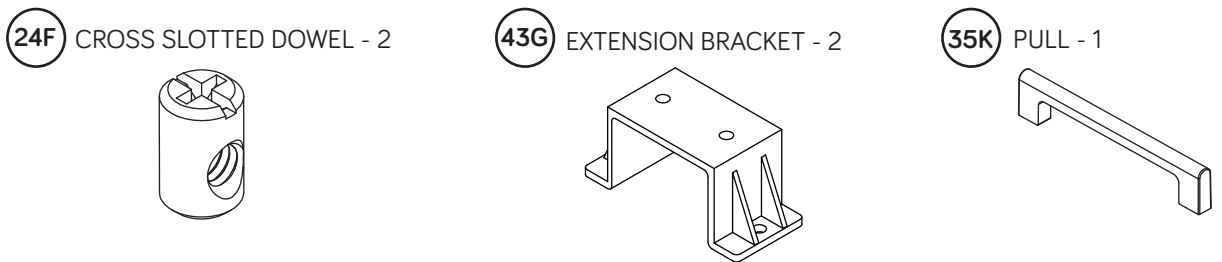
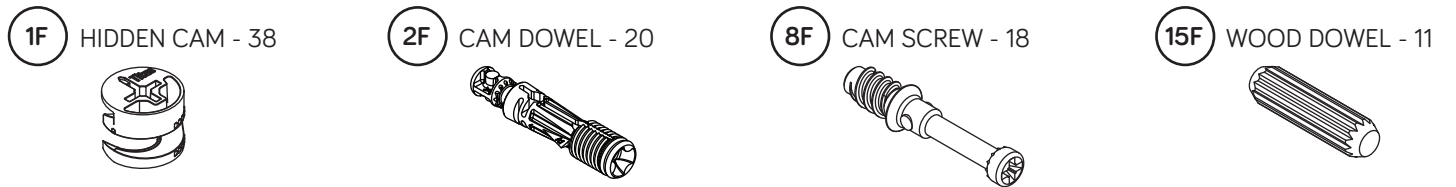
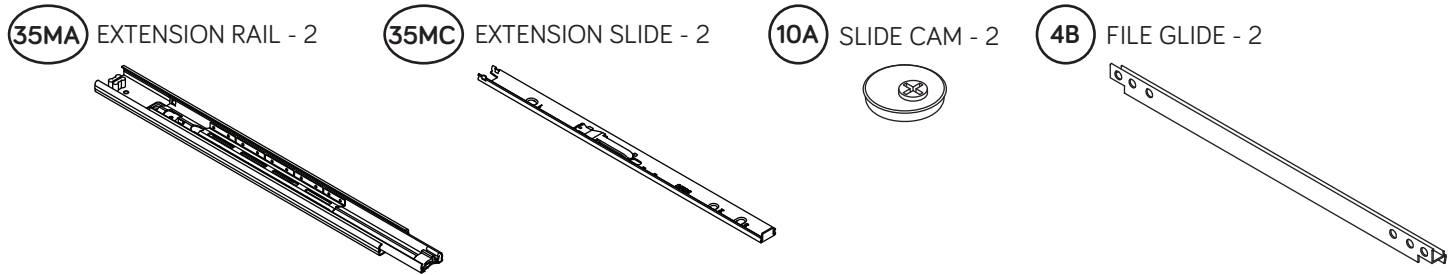


Hardware Identification

↑ Screws are shown actual size. You may receive extra hardware with your unit.



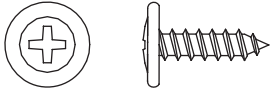
(EXTENSION SET SHOWN SEPARATED)



Hardware Identification

† Screws are shown actual size. You may receive extra hardware with your unit.

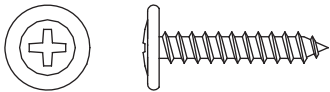
1S BLACK 9/16" LARGE HEAD SCREW - 4



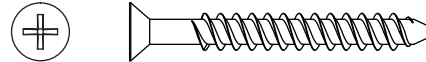
3S GOLD 5/16" FLAT HEAD SCREW - 16



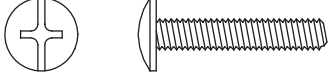
17S BLACK 7/8" LARGE HEAD SCREW - 4



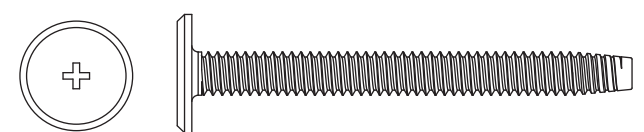
30S BLACK 1-9/16" FLAT HEAD SCREW - 8



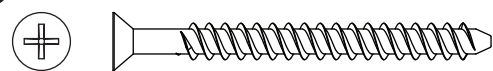
37S BLACK 7/8" MACHINE SCREW - 2



103S BLACK 2-3/8" FLAT HEAD BOLT - 2



113S BLACK 1-15/16" FLAT HEAD SCREW - 2



Step 1

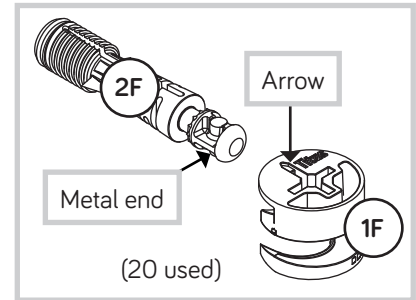
Look for this icon. It means a video assembly tip is available at www.sauder.com/service/tips



- ⚠ Assemble your unit on a carpeted floor or on the empty carton to avoid scratching your unit or the floor.
- ⚠ Push twenty HIDDEN CAMS (1F) into the ENDS (A and B), MODESTY PANEL (C), UPRIGHT (D), BOTTOM (E), BACK (M), and BRACE (N). Then, insert the metal end of a CAM DOWEL (2F) into each HIDDEN CAM.

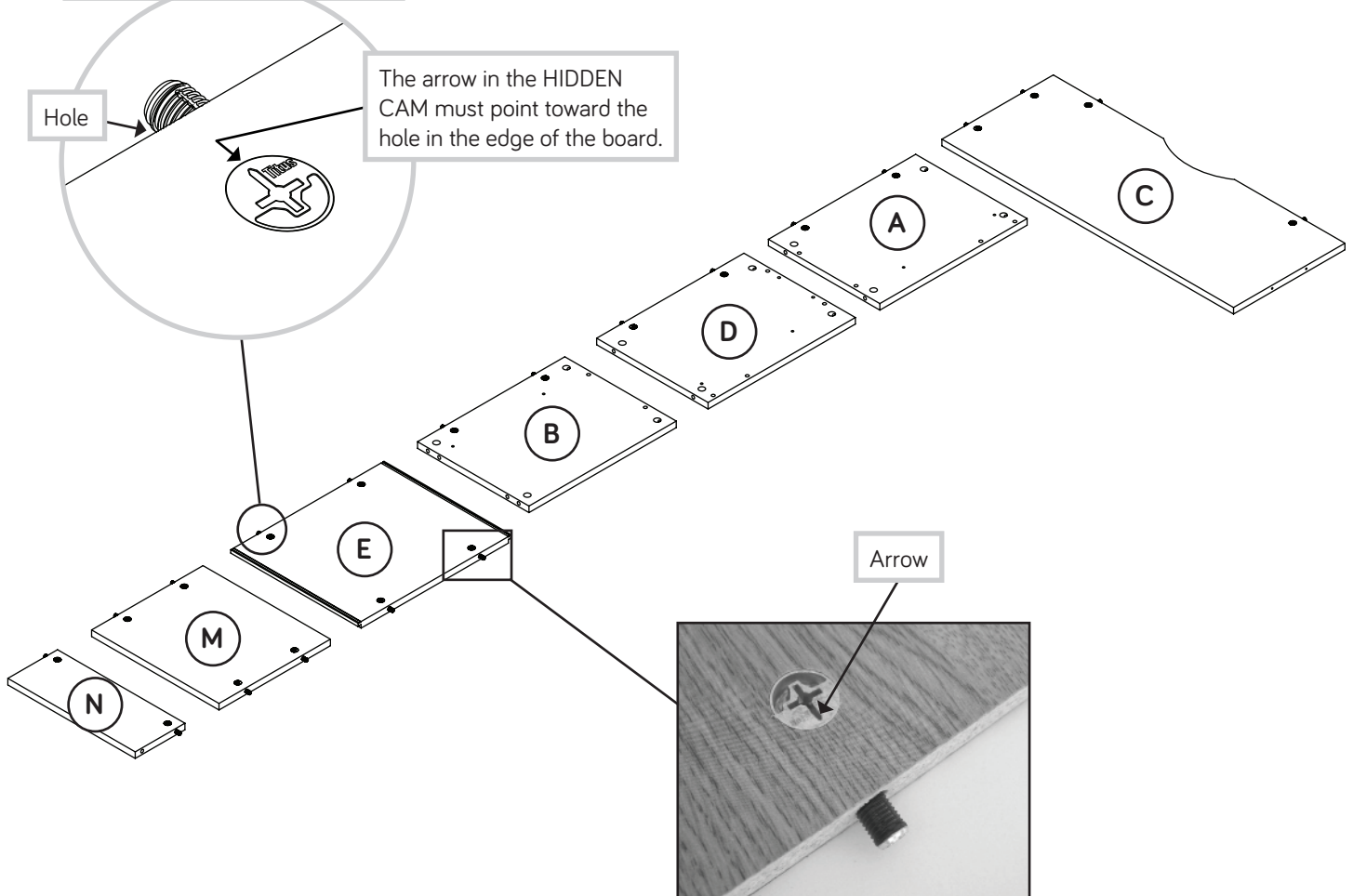
Do not tighten the HIDDEN CAMS in this step.

Insert the metal end of the CAM DOWEL into the HIDDEN CAM.



Hole

The arrow in the HIDDEN CAM must point toward the hole in the edge of the board.

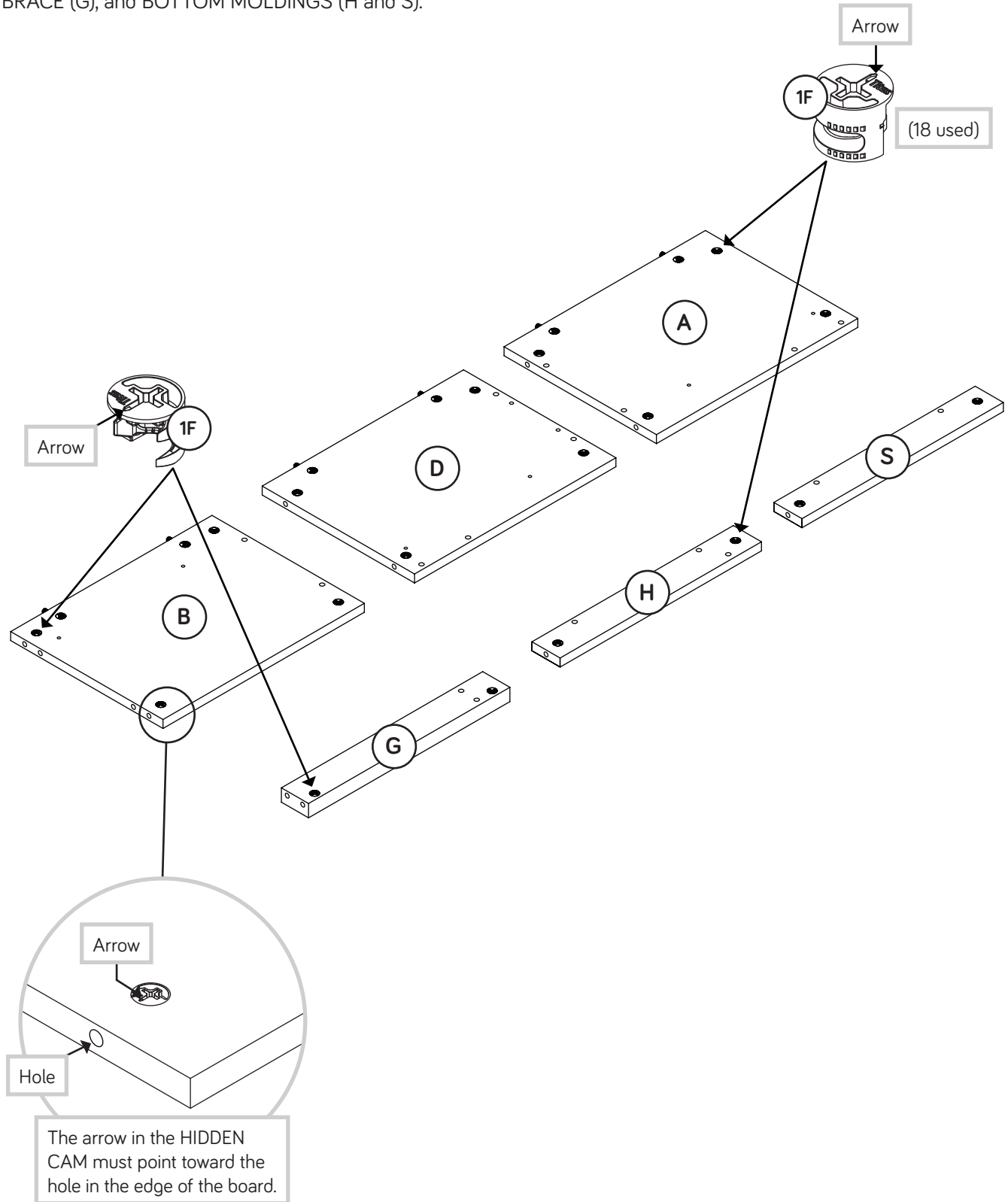


Insert the metal end of the CAM DOWEL into the HIDDEN CAM.

Step 2



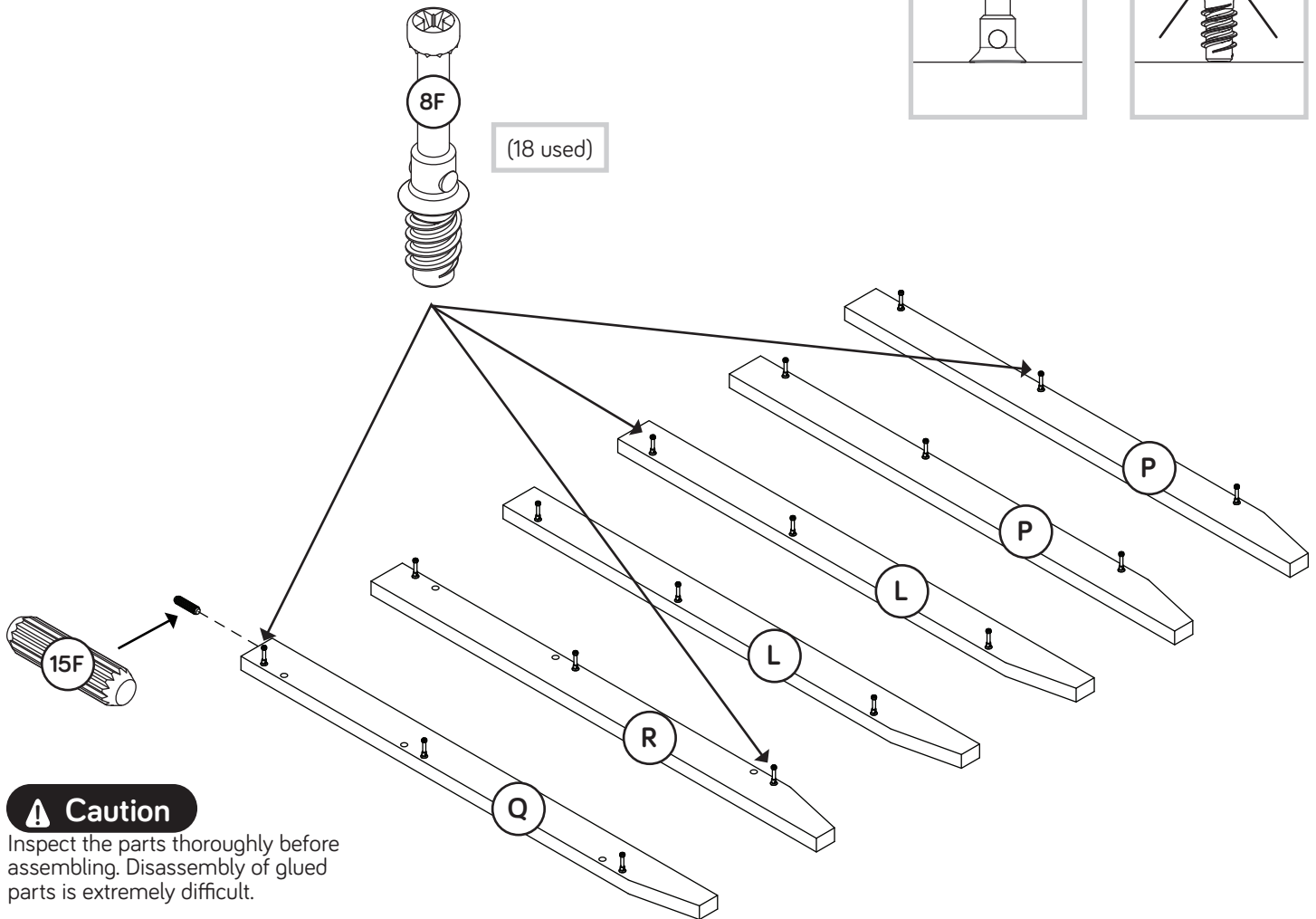
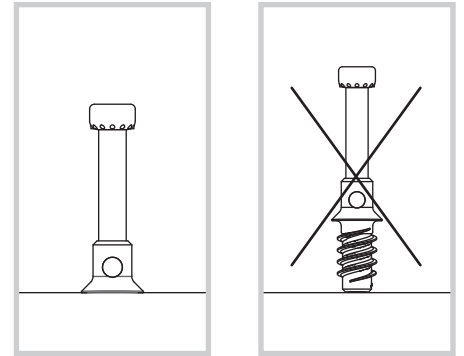
- Push eighteen HIDDEN CAMS (1F) into the remaining holes of the ENDS (A and B), UPRIGHT (D), LEFT BRACE (G), and BOTTOM MOLDINGS (H and S).



Step 3

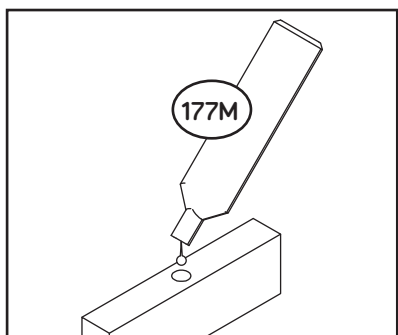


- ✚ Turn eighteen CAM SCREWS (8F) into the LEGS (L, P, Q, and R).
- ✚ First, fill the hole in the end of the LEG (Q) 1/4 to 1/2 full with GLUE (177M). Then, insert the WOOD DOWEL (15F) into the hole. Wipe away the excess GLUE.



⚠ Caution

Inspect the parts thoroughly before assembling. Disassembly of glued parts is extremely difficult.

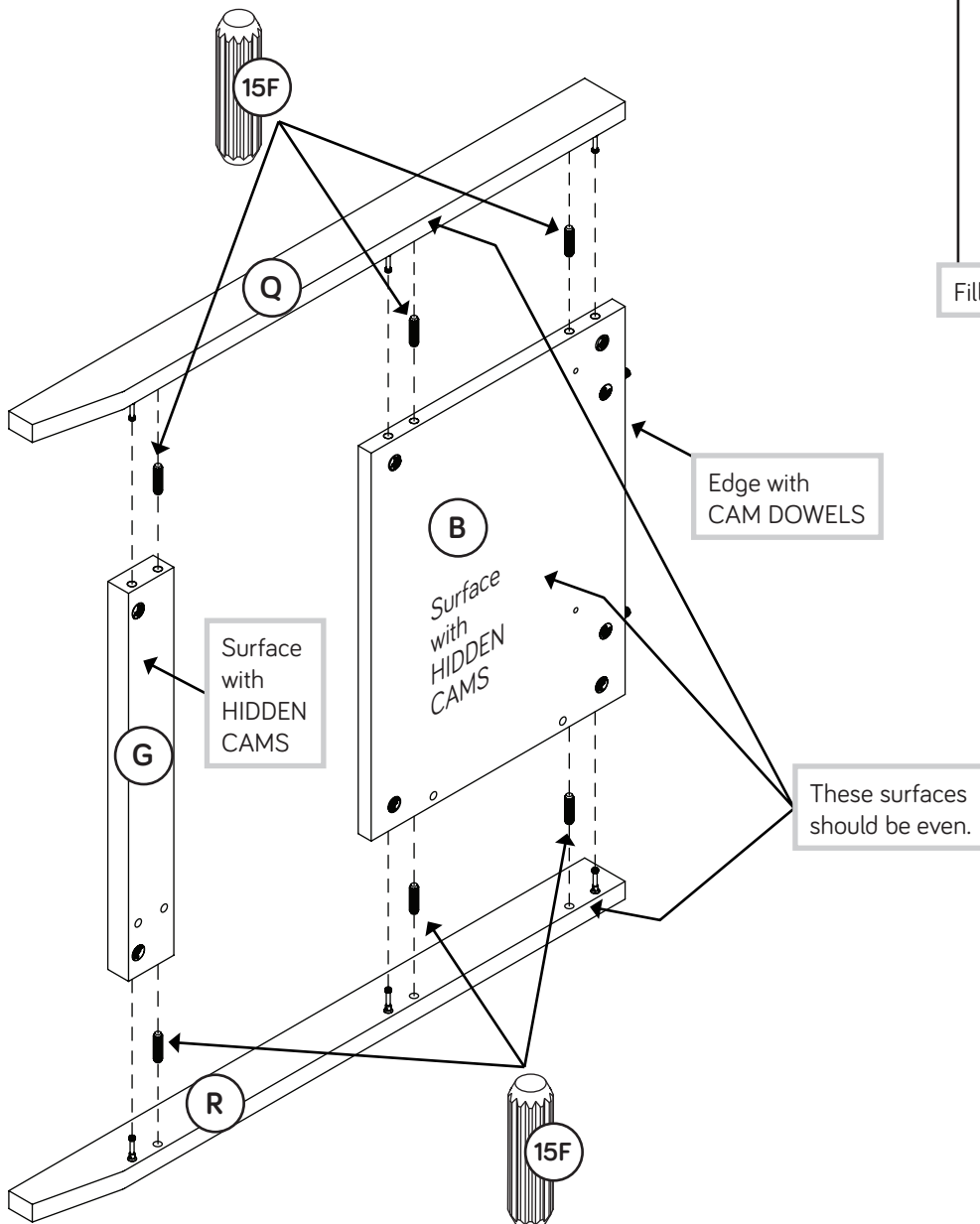
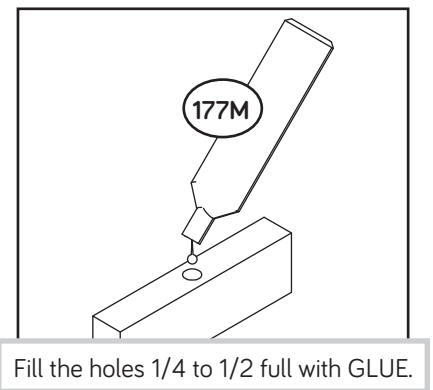
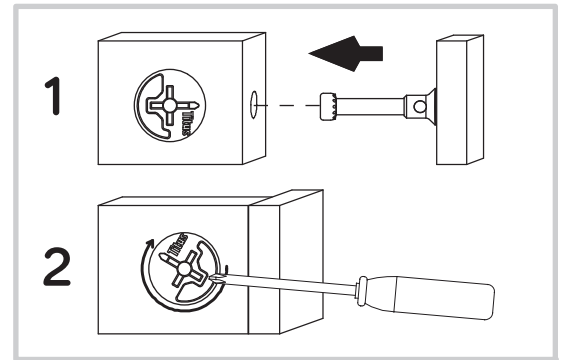


Fill the holes 1/4 to 1/2 full with GLUE.

Step 4



- First, fill the holes in the LEGS (Q and R) 1/4 to 1/2 full with GLUE (177M). Then, insert the WOOD DOWELS (15F) into the holes. Wipe away the excess GLUE.
- Now, fill the holes in the LEFT END (B) and LEFT BRACE (G) 1/4 to 1/2 full with GLUE.
- Fasten the LEGS (Q and R) to the LEFT END (B) and LEFT BRACE (G). Tighten six HIDDEN CAMS. Wipe away the excess GLUE.
- NOTE:** Be sure the WOOD DOWELS in the LEGS insert into the LEFT END and LEFT BRACE.



⚠ Caution

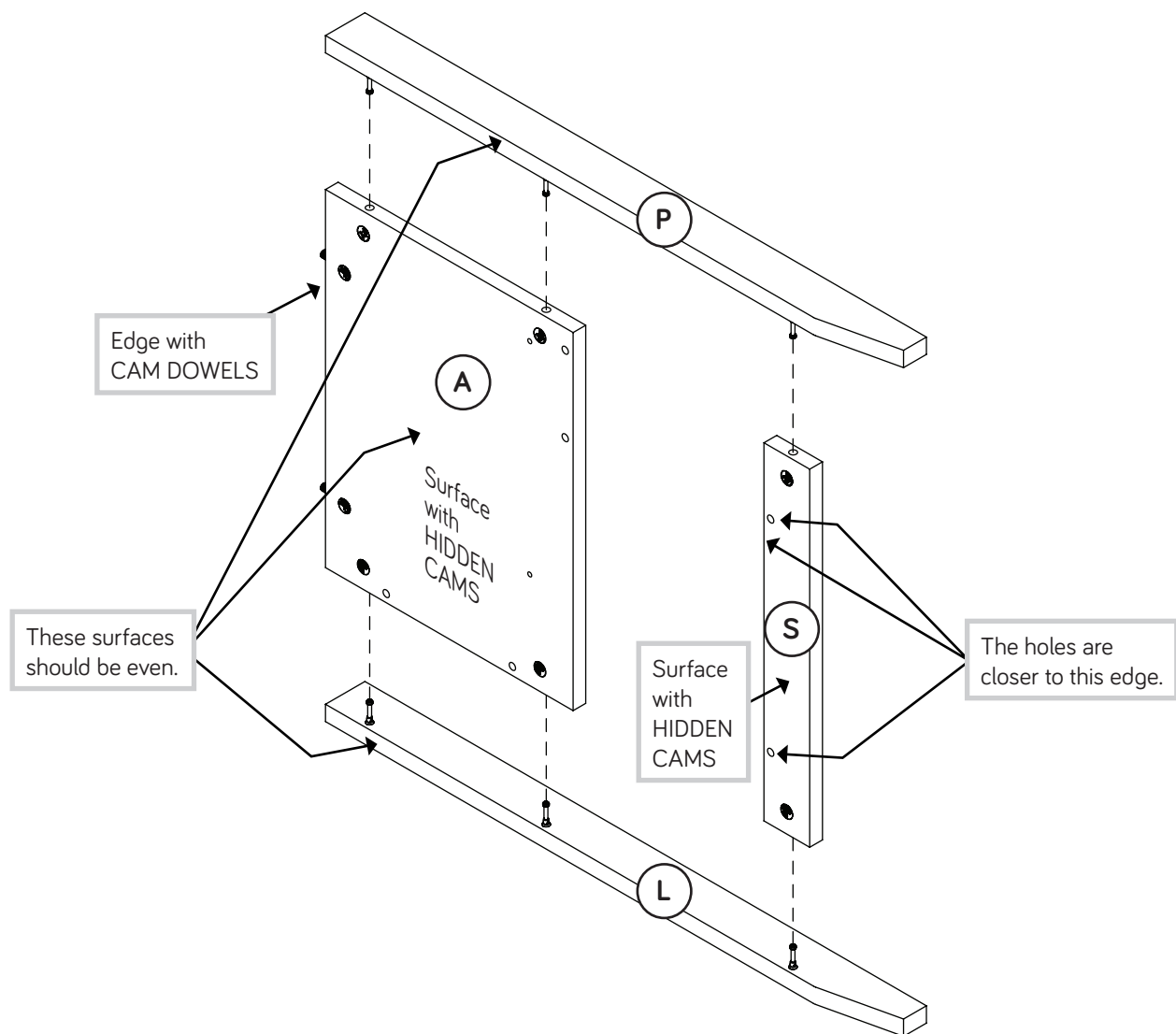
Inspect the parts thoroughly before assembling. Disassembly of glued parts is extremely difficult.

Step 5



Fasten the LEGS (L and P) to the RIGHT END (A) and RIGHT BOTTOM MOLDING (S). Tighten six HIDDEN CAMS.

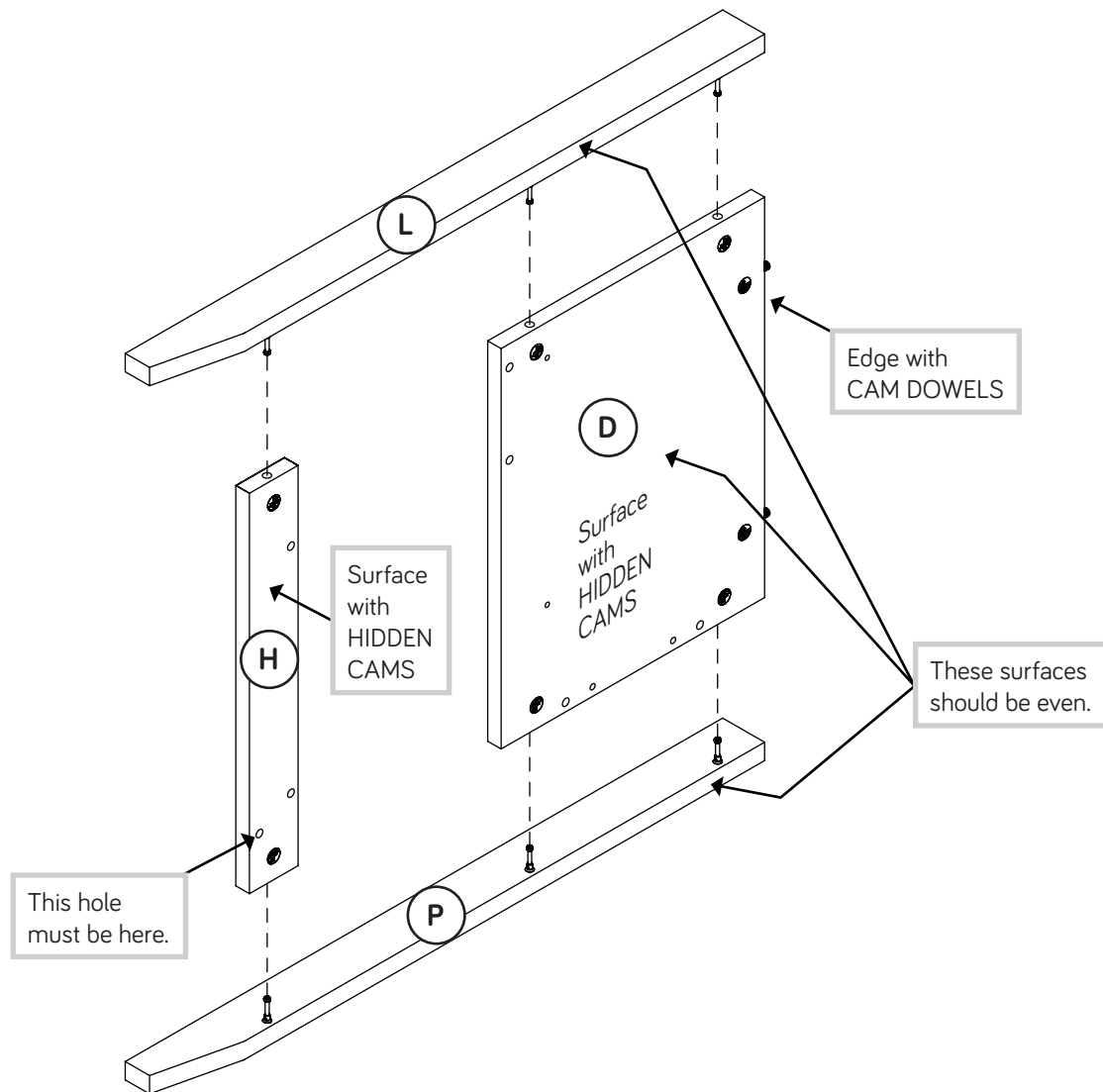
NOTE: Position the RIGHT BOTTOM MOLDING (S) exactly as shown.



Step 6



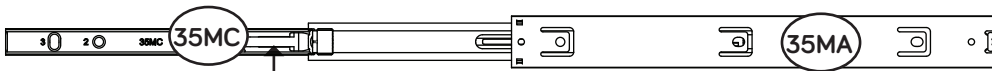
- Fasten the LEGS (L and P) to the UPRIGHT (D) and LEFT BOTTOM MOLDING (H). Tighten six HIDDEN CAMS.
- NOTE:** Position the LEFT BOTTOM MOLDING (H) exactly as shown.



Step 7



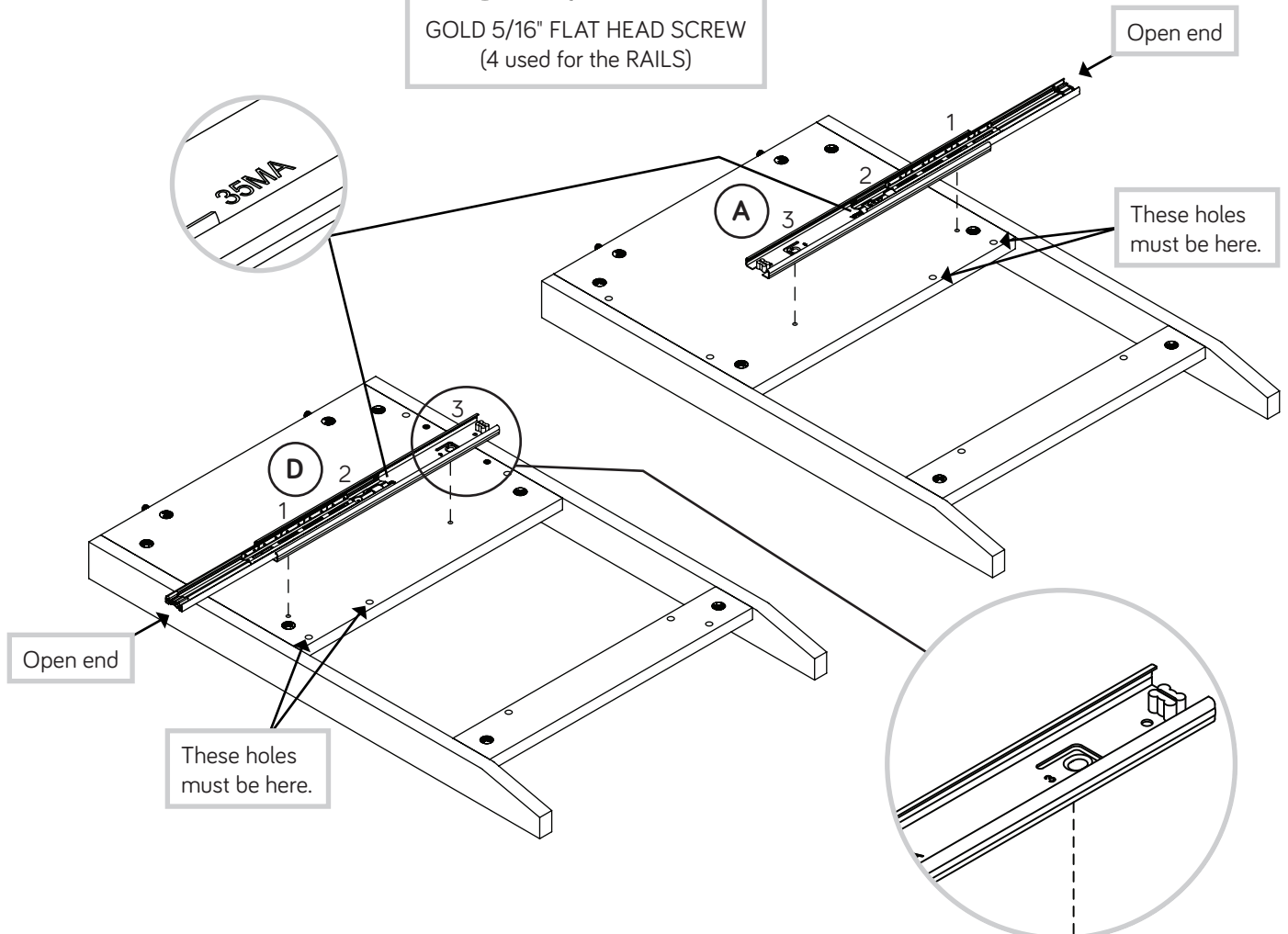
- ✚ Separate the EXTENSION SLIDES (35MC) from the EXTENSION RAILS (35MA) as shown in the upper diagram below. Be prepared, the parts are greasy.
- ✚ Fasten the EXTENSION RAILS (35MA) to the RIGHT END (A) and UPRIGHT (D). Use four GOLD 5/16" FLAT HEAD SCREWS (3S).
- ✚ NOTE: For each EXTENSION RAIL, turn a SCREW into the hole shown in the enlarged diagram. Then, slide the inner cartridge of the EXTENSION RAIL in to find the other hole that lines up with the hole in the END/UPRIGHT. Turn a SCREW into this hole.
- ✚ NOTE: The EXTENSION SLIDES (35MC) will be used later for the FILE DRAWER.



Push the black lever in and pull the SLIDE from the RAIL.



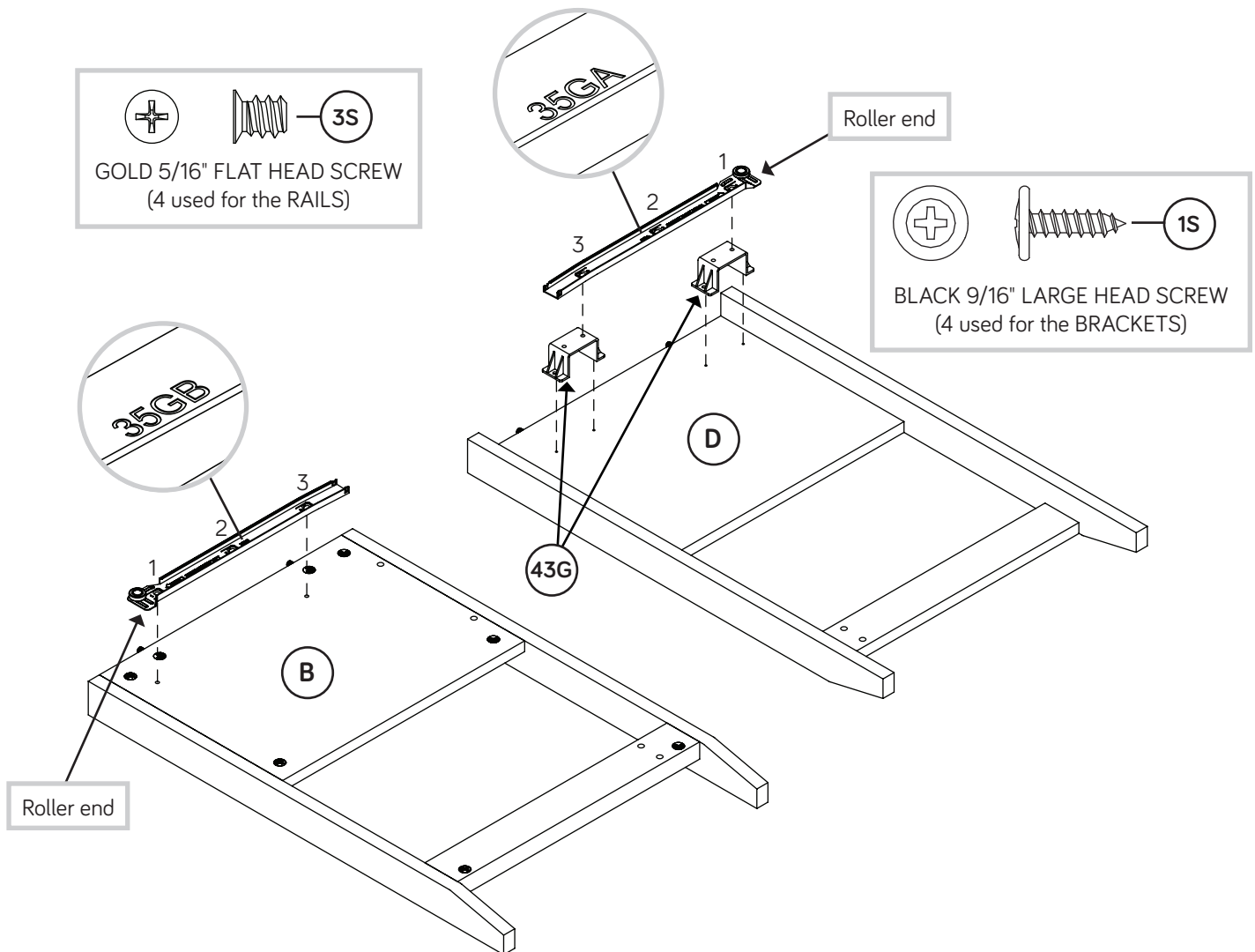
GOLD 5/16" FLAT HEAD SCREW
(4 used for the RAILS)



Step 8



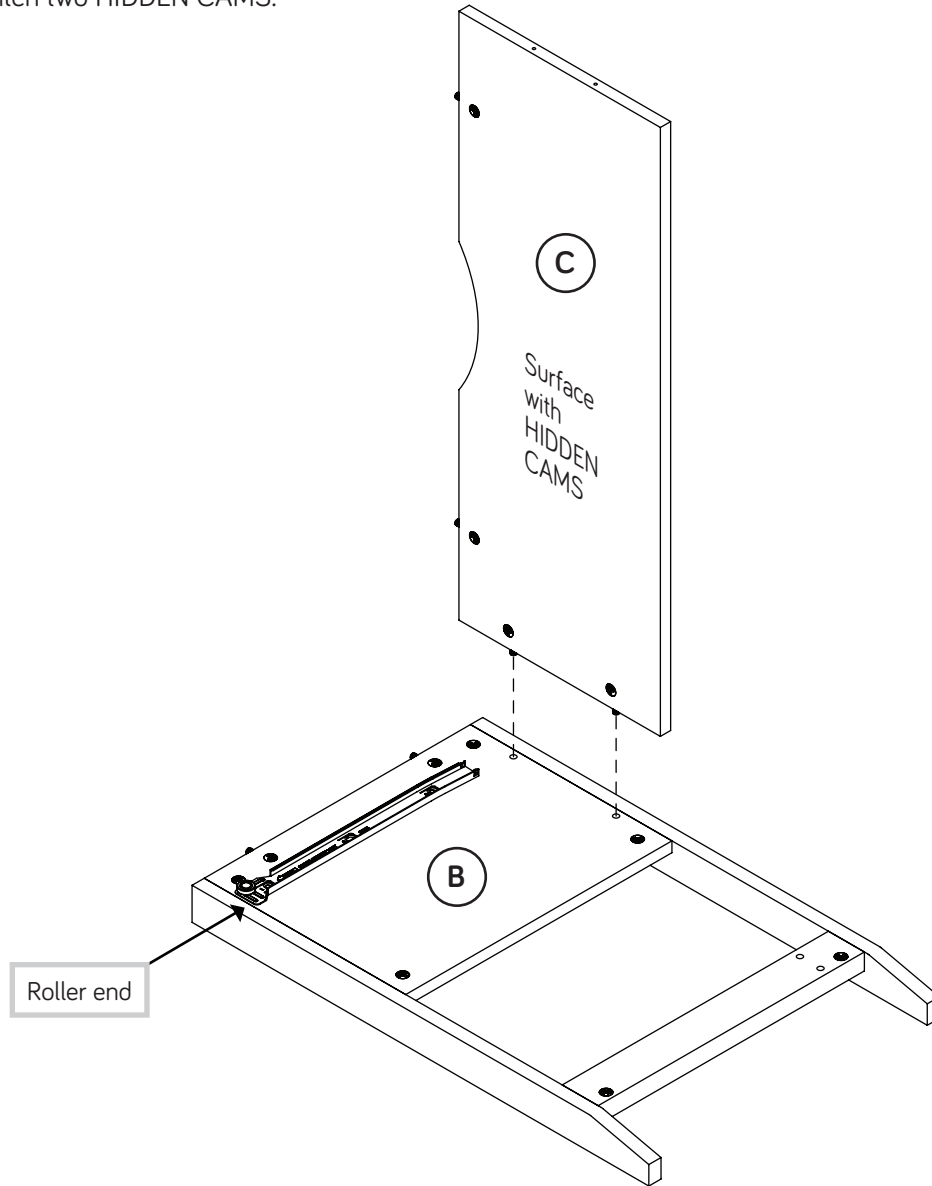
- ✚ Carefully flip the UPRIGHT (D) over.
- ✚ Fasten two EXTENSION BRACKETS (43G) to the UPRIGHT (D). Use four BLACK 9/16" LARGE HEAD SCREWS (1S).
- ✚ Fasten the CABINET RIGHT (35GA) to the EXTENSION BRACKETS (43G) on the UPRIGHT (D). Use two GOLD 5/16" FLAT HEAD SCREWS (3S) through holes #1 and #3.
- ✚ NOTE: Use the exact holes shown in the EXTENSION BRACKETS.
- ✚ Fasten the CABINET LEFT (35GB) to the LEFT END (B). Use two GOLD 5/16" FLAT HEAD SCREWS (3S) through holes #1 and #3.



Step 9



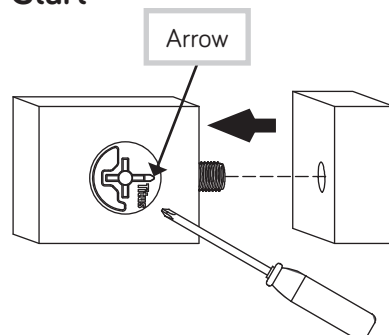
- Fasten the MODESTY PANEL (C) to the LEFT END (B). Tighten two HIDDEN CAMS.



⚠ Caution

Risk of damage or injury. HIDDEN CAMS must be completely tightened. HIDDEN CAMS that are not completely tightened may loosen, and parts may separate. To completely tighten:

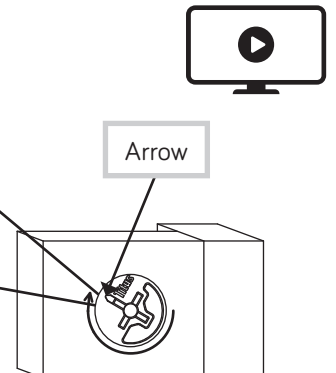
Start



Tighten

Maximum 210 degrees

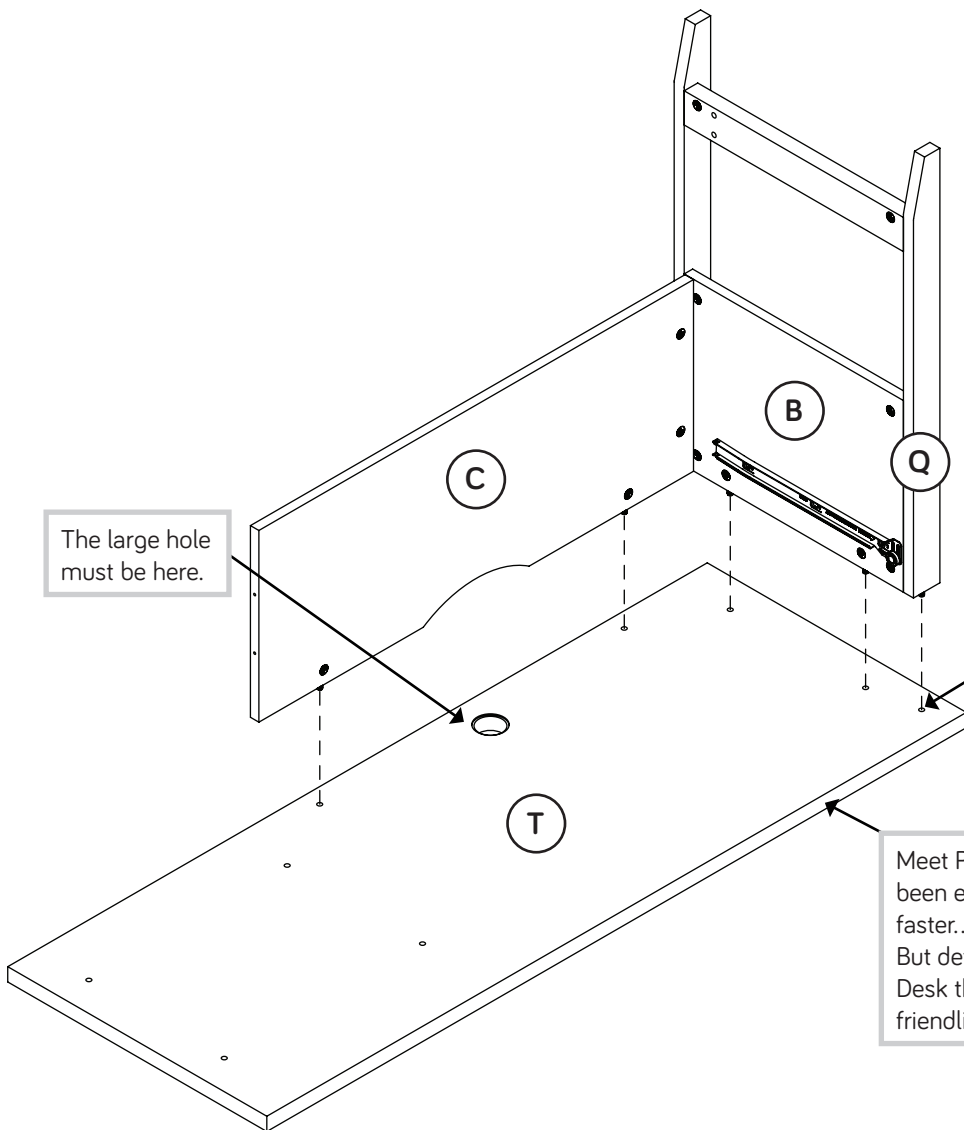
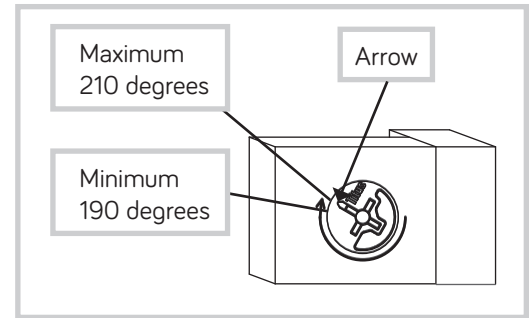
Minimum 190 degrees



Step 10

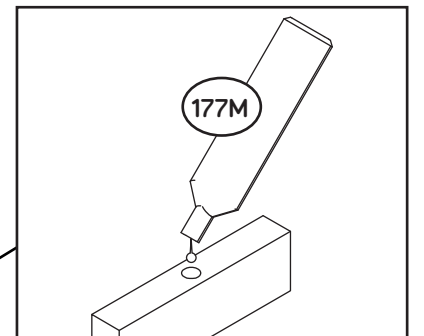


- First, fill the hole in the TOP (T) 1/4 to 1/2 full with GLUE (177M).
- Then, fasten the LEFT END (B) and MODESTY PANEL (C) to the TOP (T). Tighten four HIDDEN CAMS.
- NOTE:** Be sure the WOOD DOWEL in the LEG (Q) inserts into the TOP. Wipe away the excess GLUE.



Caution

Inspect the parts thoroughly before assembling. Disassembly of glued parts is extremely difficult.



Fill the holes 1/4 to 1/2 full with GLUE.

Meet Part (T). This component has been engineered to be lighter, stronger, faster... well ok. Not technically faster. But definitely makes for a sturdier Desk that's easier to assemble and friendlier to the environment.

Step 11

✚ Push two CROSS-SLOTTED DOWELS (24F) into the LONG BRACE (K) as shown.

✚ **NOTE:** The threads in the DOWEL should be pointed toward the hole in the edge of the LONG BRACE.

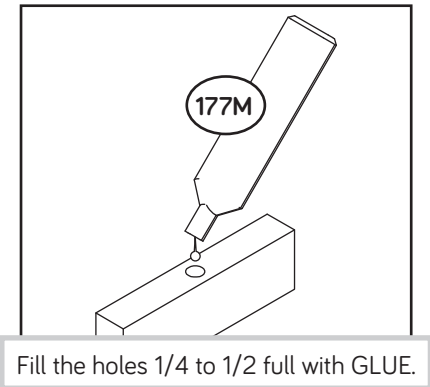
✚ First, fill the holes in the ends of the LONG BRACE (K) 1/4 to 1/2 full with GLUE (177M). Then, insert the WOOD DOWELS (15F) into the holes. Wipe away the excess GLUE.

✚ Now, fill the hole in the LEFT BRACE (G) 1/4 to 1/2 full with GLUE.

✚ Fasten the LONG BRACE (K) to the LEFT BRACE (G). Use one BLACK 2-3/8" FLAT HEAD BOLT (103S).

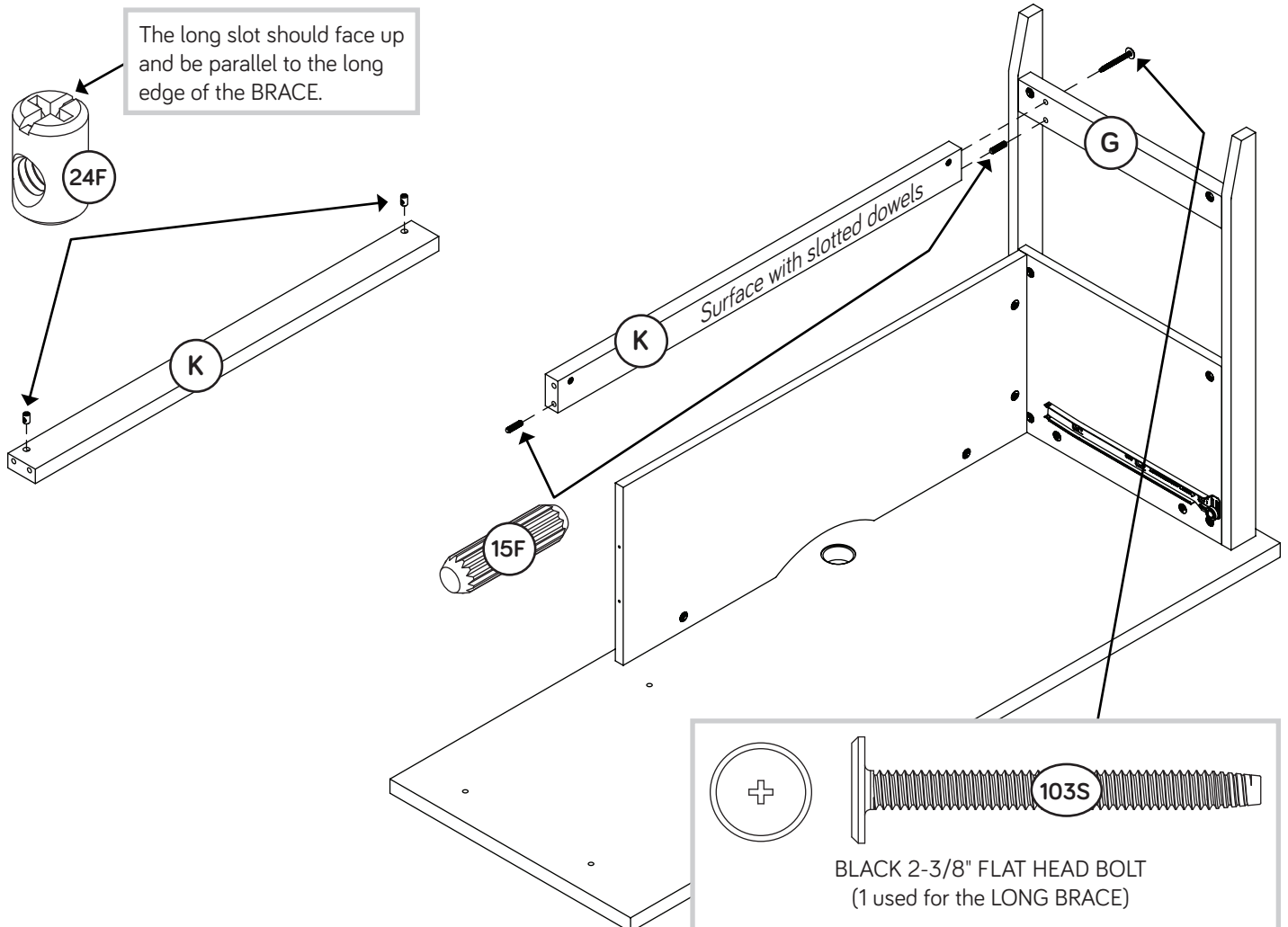
✚ **NOTE:** The BOLT will thread into the DOWEL in the LONG BRACE.

✚ **NOTE:** Be sure the WOOD DOWEL in the LONG BRACE inserts into the LEFT BRACE. Wipe away the excess GLUE.



⚠ Caution

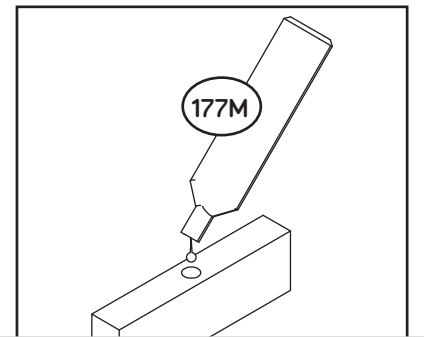
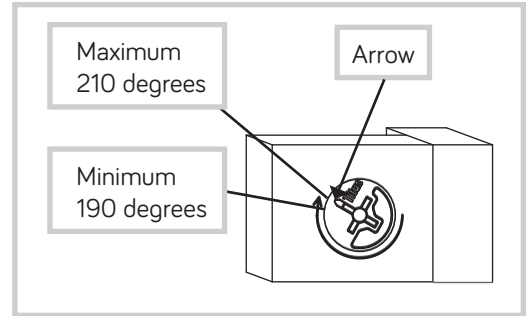
Inspect the parts thoroughly before assembling. Disassembly of glued parts is extremely difficult.



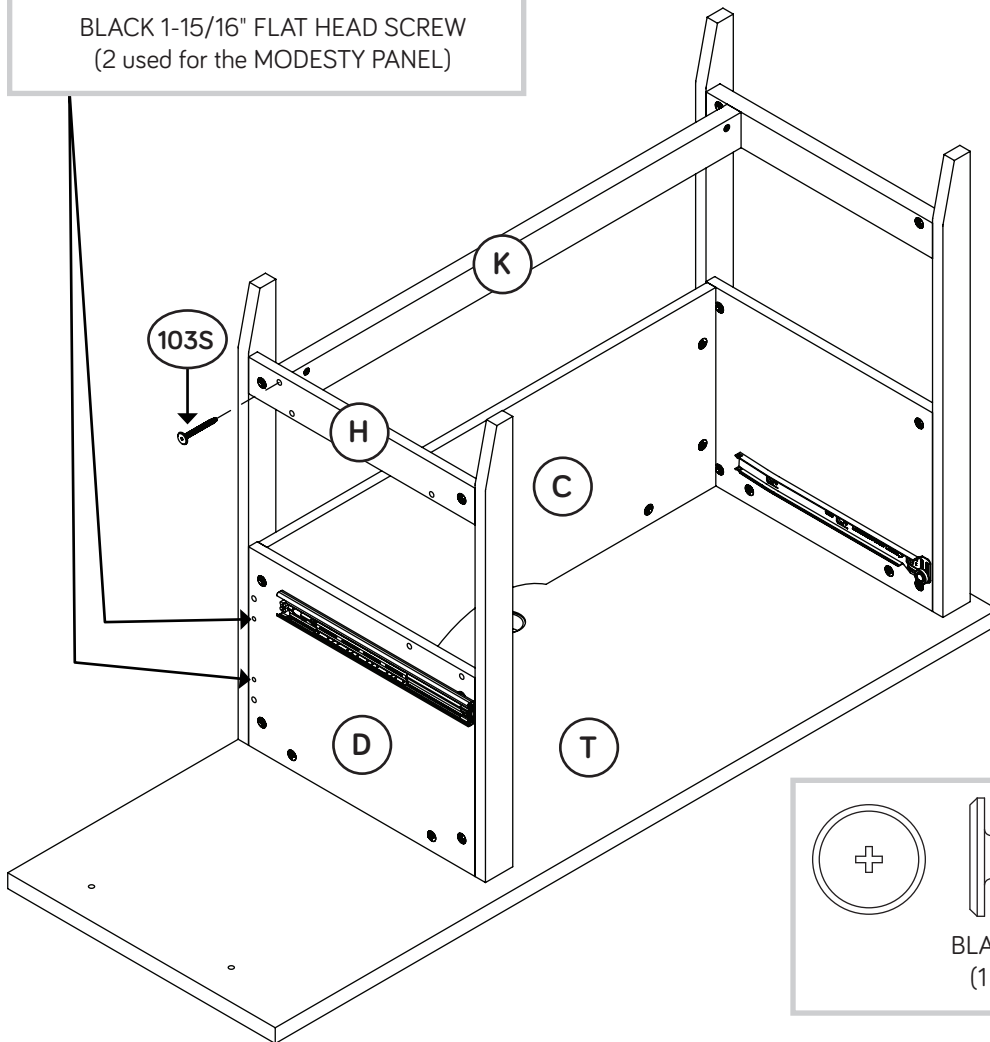
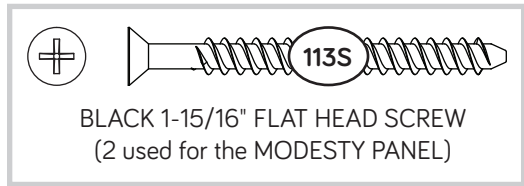
Step 12



- First, fill the hole in the LEFT BOTTOM MOLDING (H) 1/4 to 1/2 full with GLUE.
- Next, fasten the UPRIGHT (D) to the TOP (T). Tighten two HIDDEN CAMS.
- NOTE:** Be sure the WOOD DOWEL in the LONG BRACE (K) inserts into the LEFT BOTTOM MOLDING (H). Wipe away the excess GLUE.
- Fasten the LEFT BOTTOM MOLDING (H) to the LONG BRACE (K). Use one BLACK 2-3/8" FLAT HEAD BOLT (103S).
- Fasten the UPRIGHT (D) to the MODESTY PANEL (C). Use two BLACK 1-15/16" FLAT HEAD SCREWS (113S).

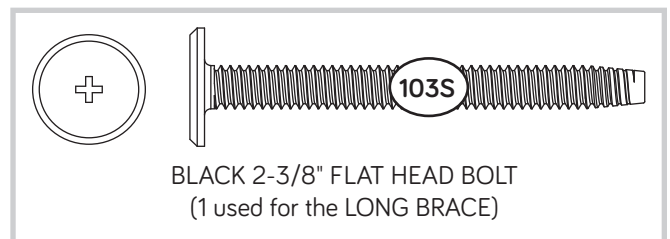


Fill the holes 1/4 to 1/2 full with GLUE.



Caution

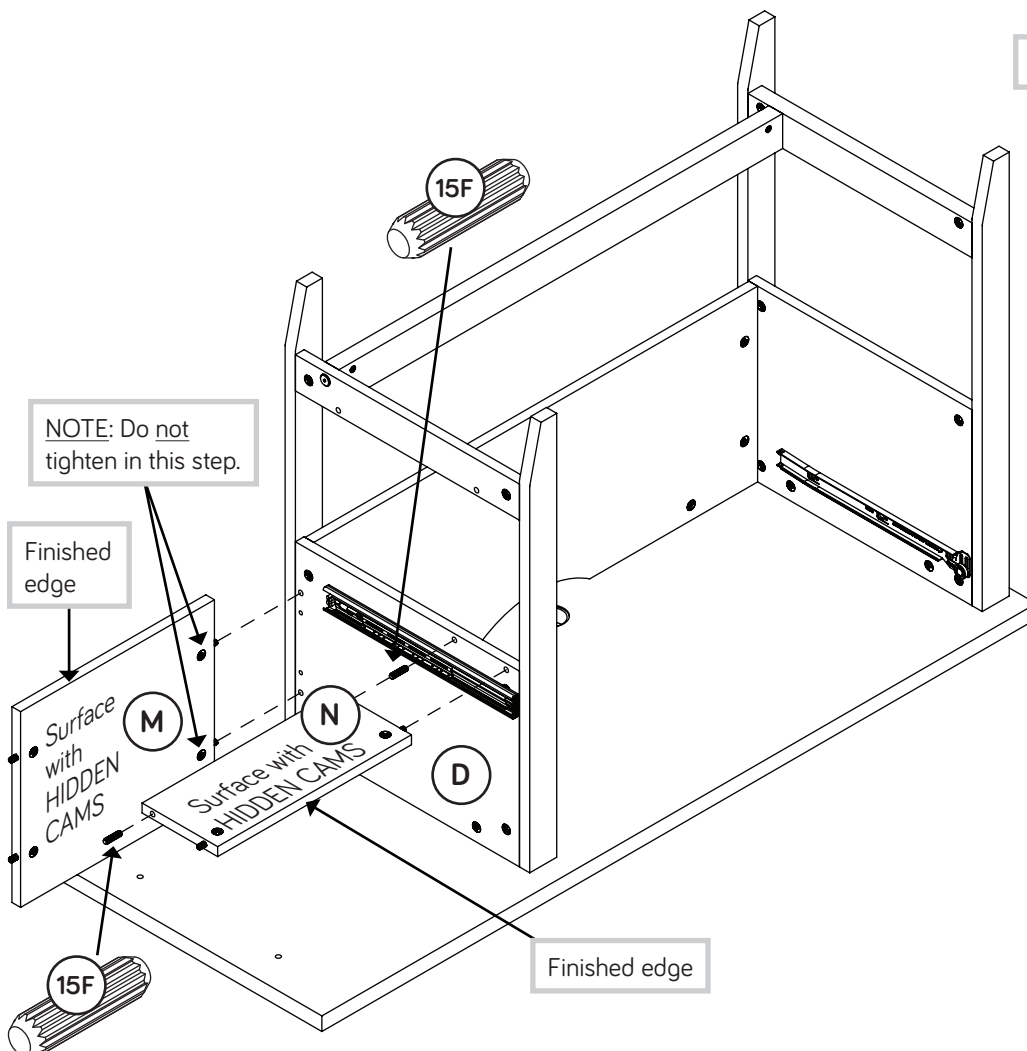
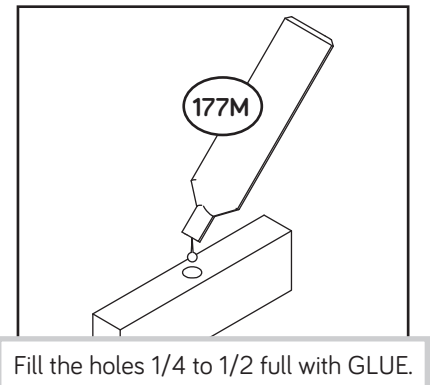
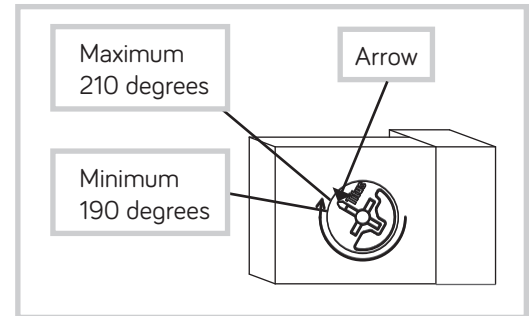
Inspect the parts thoroughly before assembling. Disassembly of glued parts is extremely difficult.



Step 13



- First, fill the holes in the BRACE (N) 1/4 to 1/2 full with GLUE (177M). Then, insert the WOOD DOWELS (15F) into the holes. Wipe away the excess GLUE.
- Now, fill the hole in the UPRIGHT (D) 1/4 to 1/2 full with GLUE.
- Fasten the BRACE (N) to the UPRIGHT (D). Tighten one HIDDEN CAM.
- NOTE:** Be sure the WOOD DOWEL in the BRACE inserts into the UPRIGHT. Wipe away the excess GLUE.
- Insert the CAM DOWELS in the edge of the BACK (M) into the UPRIGHT (D) but do not tighten them.



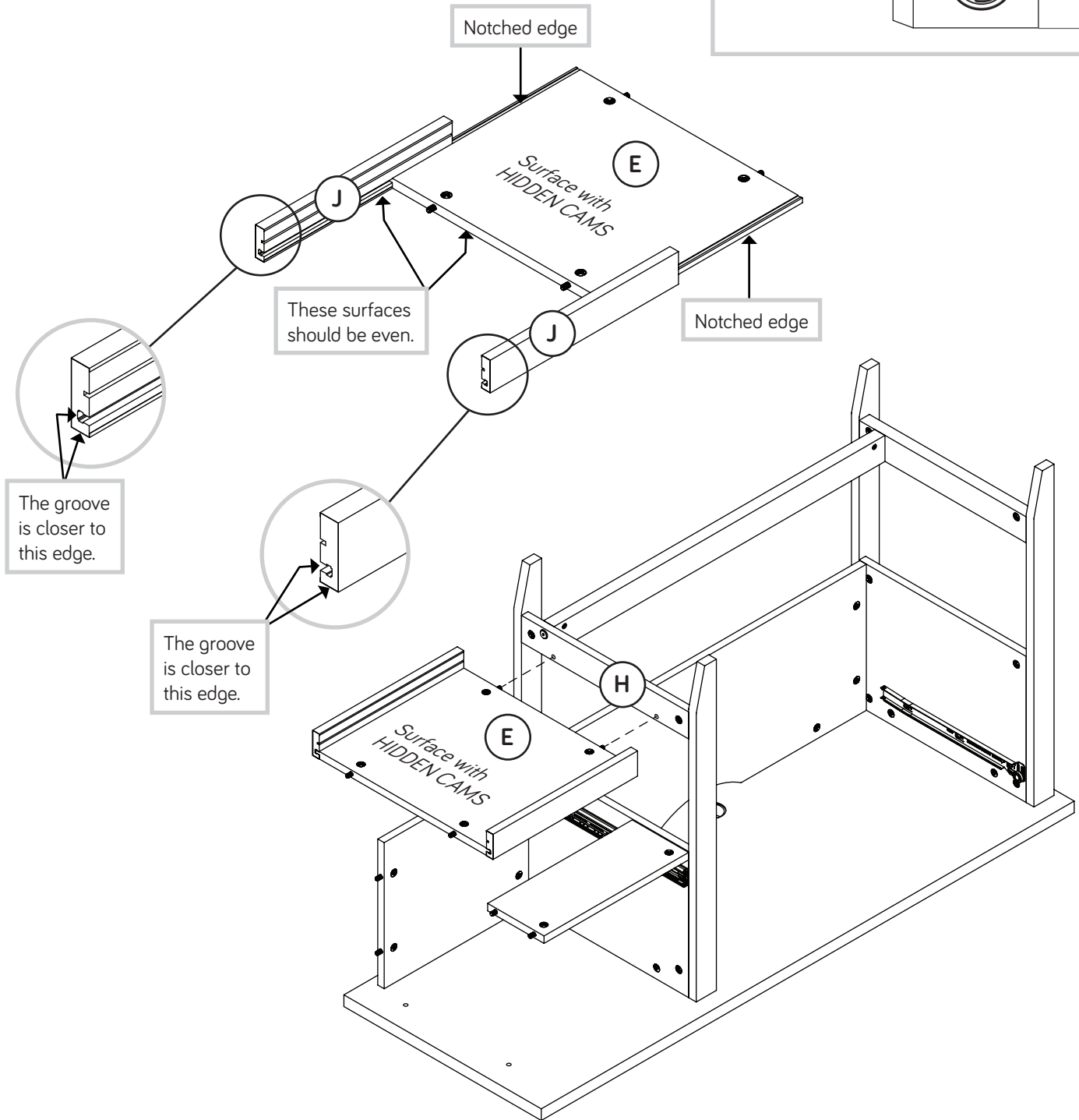
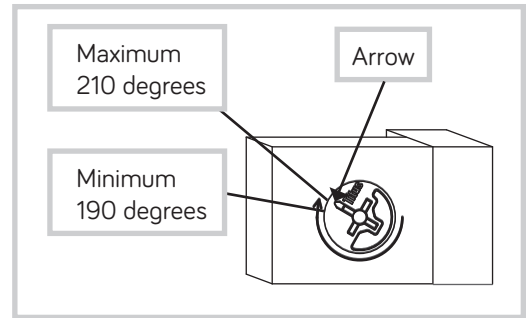
Caution

Inspect the parts thoroughly before assembling. Disassembly of glued parts is extremely difficult.

Step 14



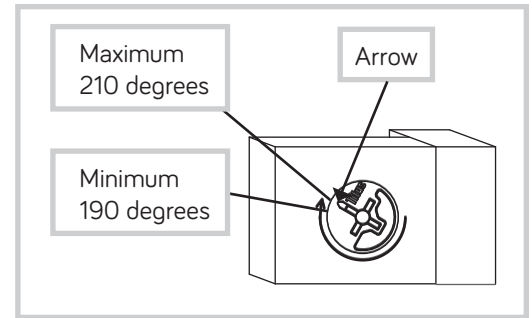
- Slide the FRONT/BACK MOLDINGS* (J) onto the notched edges of the BOTTOM (E).
- Fasten the BOTTOM (E) to the LEFT BOTTOM MOLDING (H). Tighten two HIDDEN CAMS.
- *U.S. Patent No. 5,499,886



Step 15

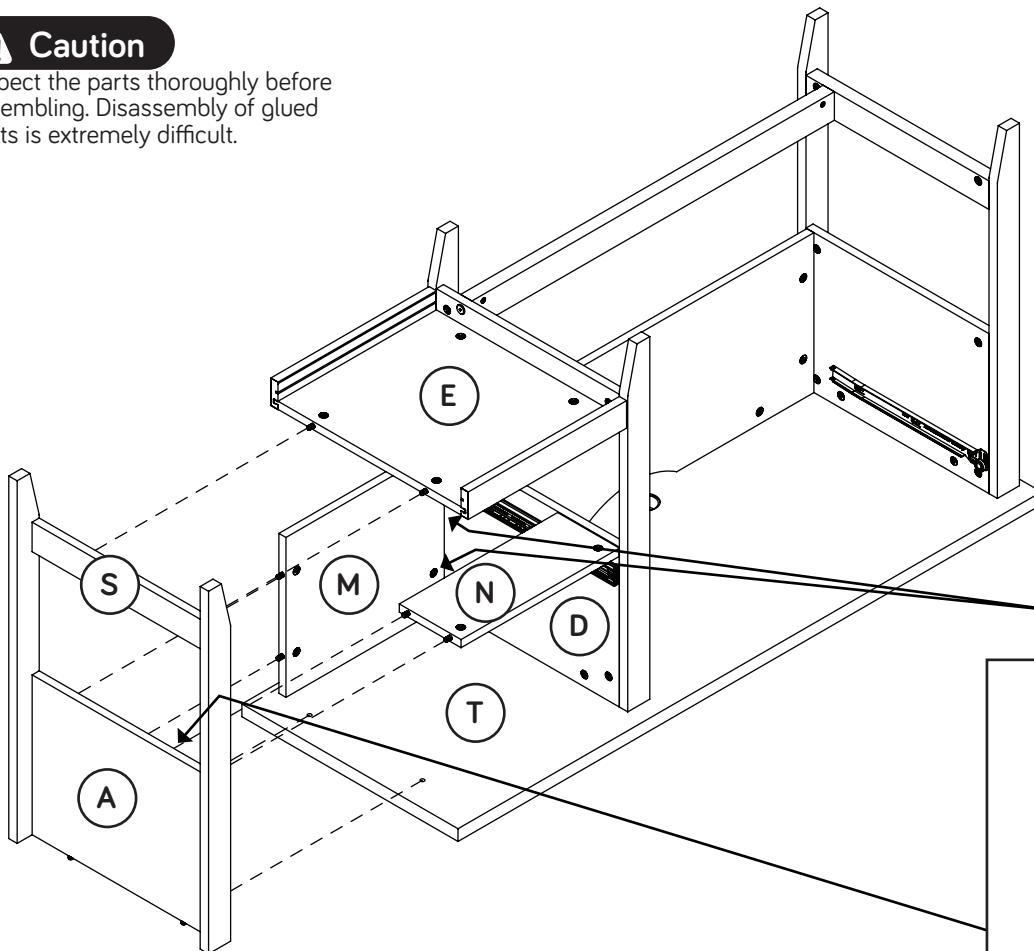


- ✚ First, fill the hole in the RIGHT END (A) 1/4 to 1/2 full with GLUE.
- ✚ Next, fasten the RIGHT END (A) to the BOTTOM (E), BACK (M), BRACE (N), and TOP (T). Tighten seven HIDDEN CAMS.
- ✚ **NOTE:** You may need to lift the BACK (M) up slightly to align the holes.
- ✚ **NOTE:** Be sure the WOOD DOWEL in the BRACE (N) inserts into the RIGHT END (A). Wipe away the excess GLUE.
- ✚ Fasten the BACK (M) to the UPRIGHT (D). Tighten two HIDDEN CAMS.

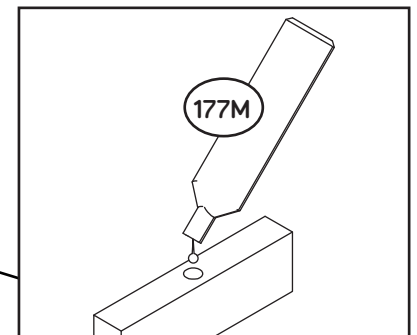


⚠ Caution

Inspect the parts thoroughly before assembling. Disassembly of glued parts is extremely difficult.



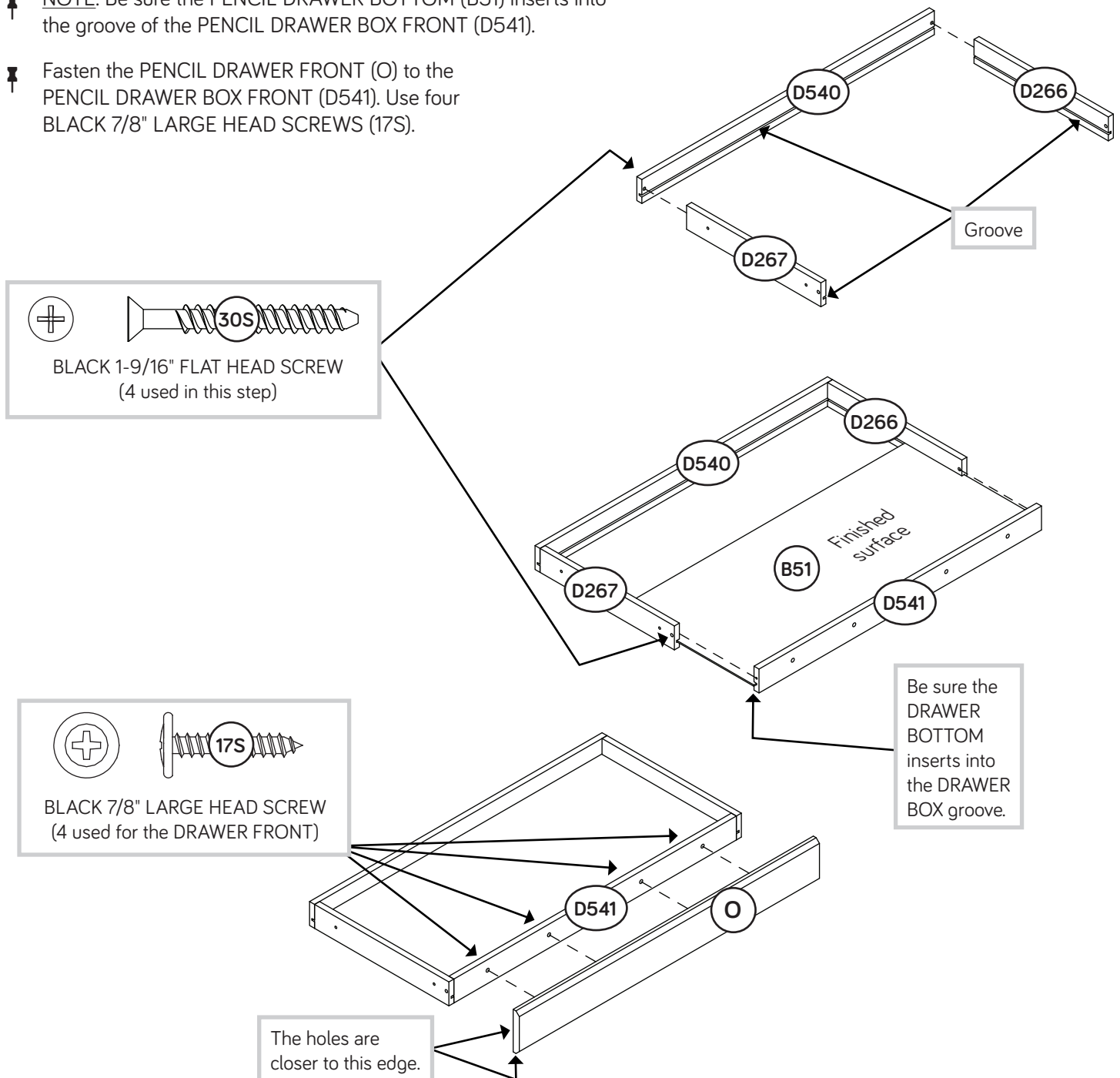
NOTE: Tighten two HIDDEN CAMS to fasten the BACK (M) to the UPRIGHT (D).



Fill the holes 1/4 to 1/2 full with GLUE.

Step 16

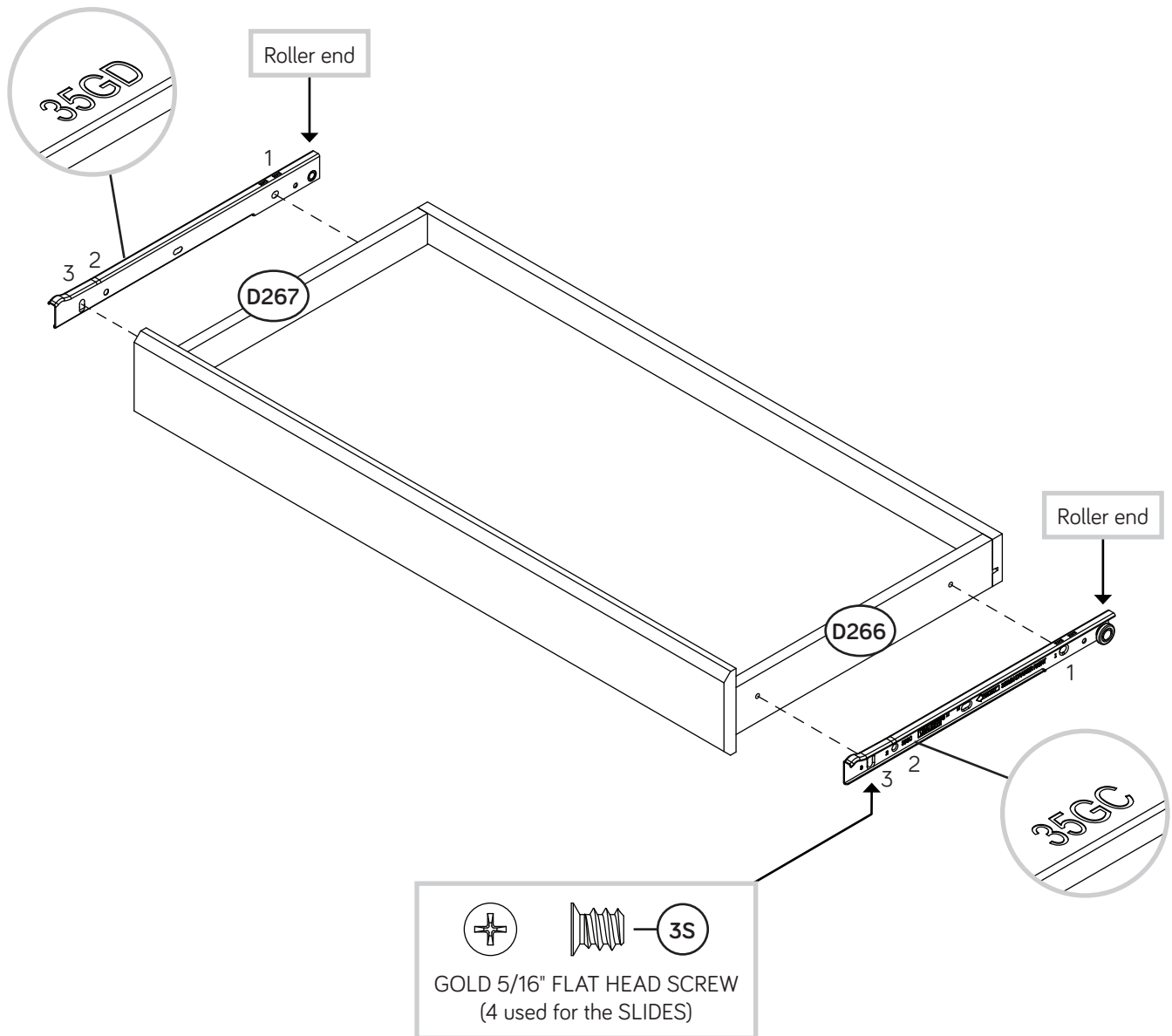
- Fasten the PENCIL DRAWER BACK (D540) to the PENCIL DRAWER SIDES (D266 and D267). Use two BLACK 1-9/16" FLAT HEAD SCREWS (30S).
- Slide the PENCIL DRAWER BOTTOM (B51) into the grooves in the PENCIL DRAWER SIDES (D266 and D267) and PENCIL DRAWER BACK (D540).
- Fasten the PENCIL DRAWER BOX FRONT (D541) to the PENCIL DRAWER SIDES (D266 and D267). Use two BLACK 1-9/16" FLAT HEAD SCREWS (30S).
- NOTE:** Be sure the PENCIL DRAWER BOTTOM (B51) inserts into the groove of the PENCIL DRAWER BOX FRONT (D541).
- Fasten the PENCIL DRAWER FRONT (O) to the PENCIL DRAWER BOX FRONT (D541). Use four BLACK 7/8" LARGE HEAD SCREWS (17S).



Step 17



- Fasten the DRAWER RIGHT (35GC) to the PENCIL RIGHT DRAWER SIDE (D266) and the DRAWER LEFT (35GD) to the PENCIL LEFT DRAWER SIDE (D267). Use four GOLD 5/16" FLAT HEAD SCREWS (3S) through holes #1 and #3.



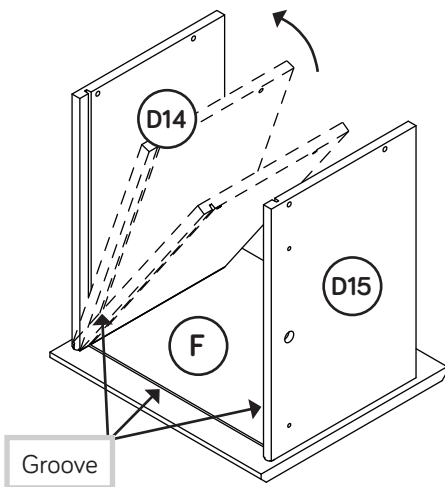
Step 18

VIEW THE T-LOCK BOX VIDEO



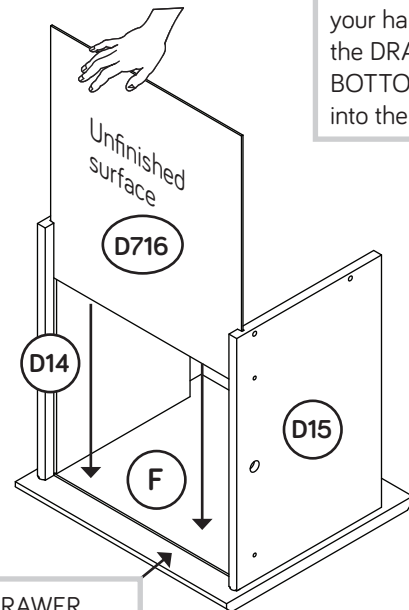
1

The tabs should insert freely into the slots. Gently tilt the DRAWER SIDES side to side until the tabs slip into the slots.



2

With the palm of your hand, tap the DRAWER BOTTOM down into the groove.



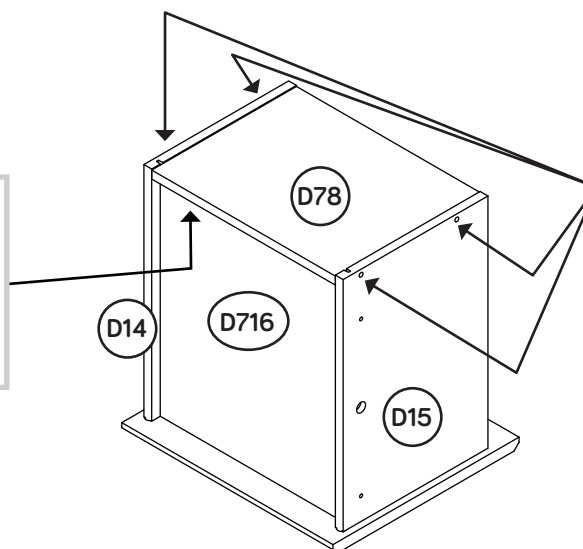
Be sure the DRAWER BOTTOM inserts into the DRAWER FRONT groove.

✚ Insert the FILE DRAWER SIDES (D14 and D15) at an angle into the slot at each end of the FILE DRAWER FRONT (F).

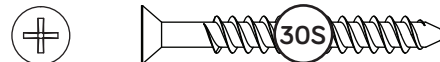
✚ Slide the FILE DRAWER BOTTOM (D716) into the grooves in the FILE DRAWER SIDES (D14 and D15) and FILE DRAWER FRONT (F).

3

Be sure the DRAWER BOTTOM inserts into the DRAWER BACK groove.



Start each screw a few turns before completely tightening any of them.



BLACK 1-9/16" FLAT HEAD SCREW (4 used in this step)

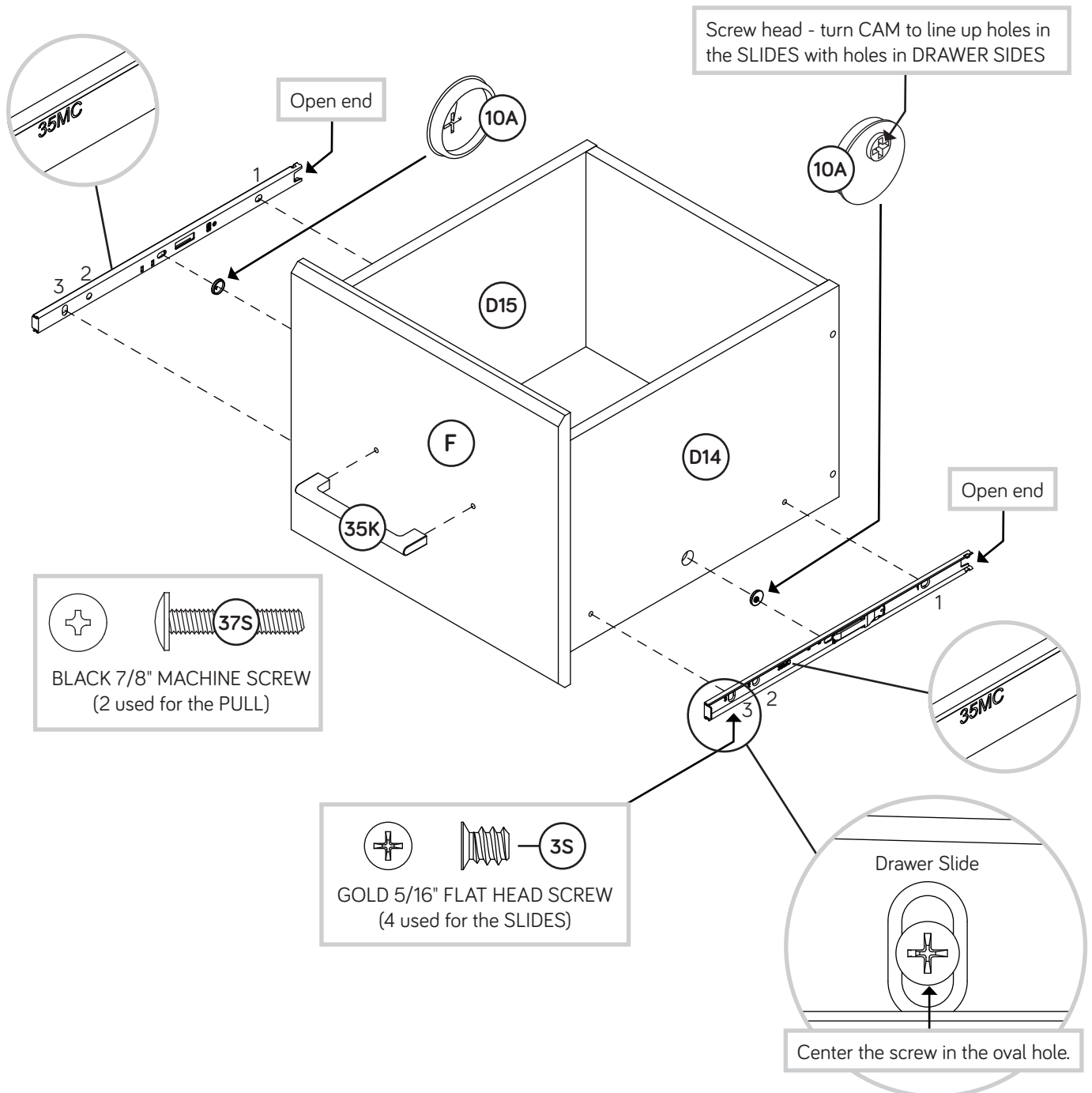
✚ Fasten the FILE DRAWER BACK (D78) to the FILE DRAWER SIDES (D14 and D15). Use four BLACK 1-9/16" FLAT HEAD SCREWS (30S).

✚ NOTE: Be sure the FILE DRAWER BOTTOM (D716) inserts into the groove of the FILE DRAWER BACK (D78).

Step 19

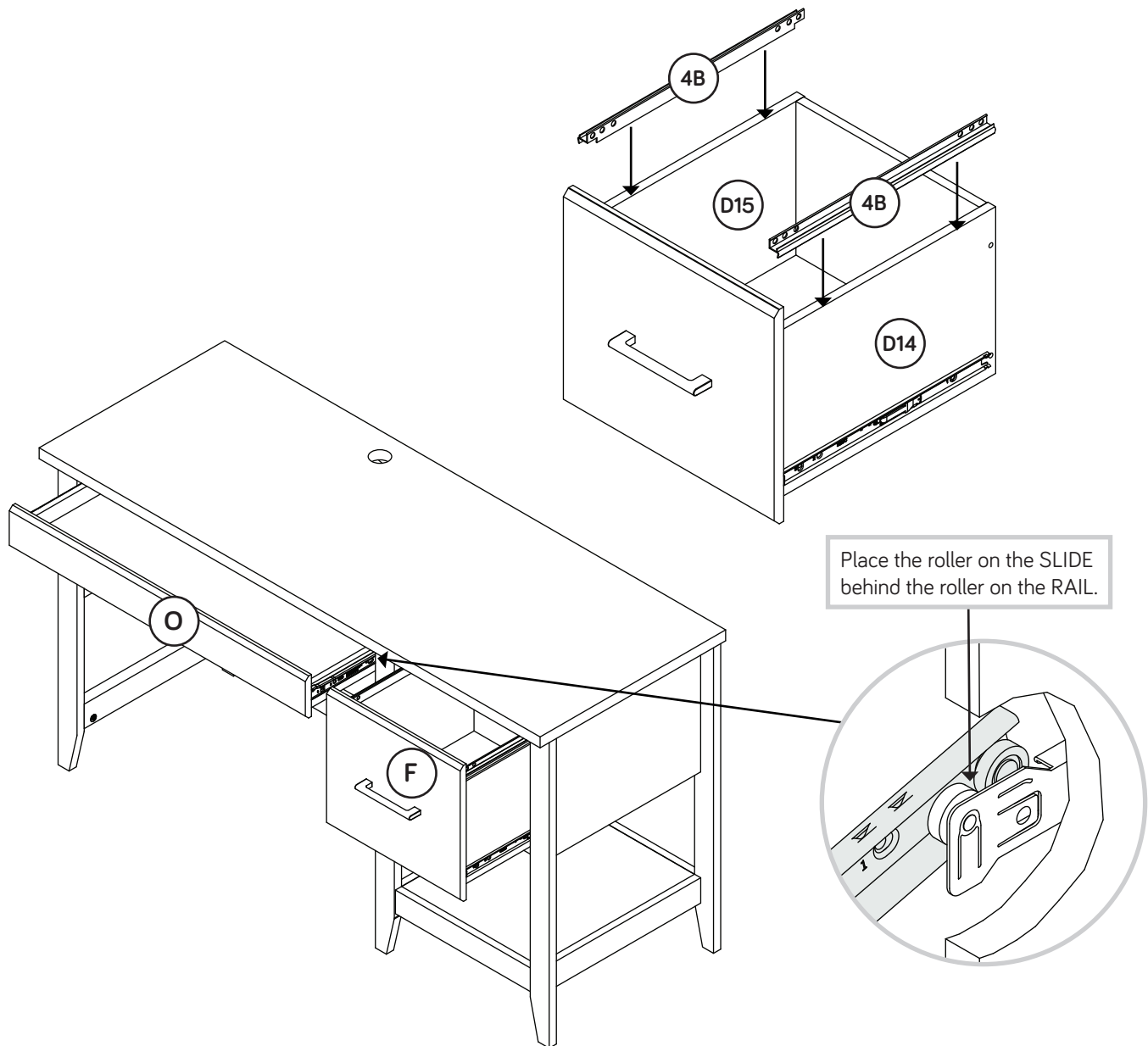


- ✚ Insert a SLIDE CAM (10A) into the FILE DRAWER SIDES (D14 and D15).
- ✚ Fasten the EXTENSION SLIDES (35MC) to the FILE DRAWER SIDES (D14 and D15). Use four GOLD 5/16" FLAT HEAD SCREWS (3S) through holes #1 and #3.
- ✚ **NOTE:** The screw head in the CAM must be visible through the slotted hole in the SLIDE.
- ✚ Fasten the PULL (35K) to the FILE DRAWER FRONT (F). Use two BLACK 7/8" MACHINE SCREWS (37S).



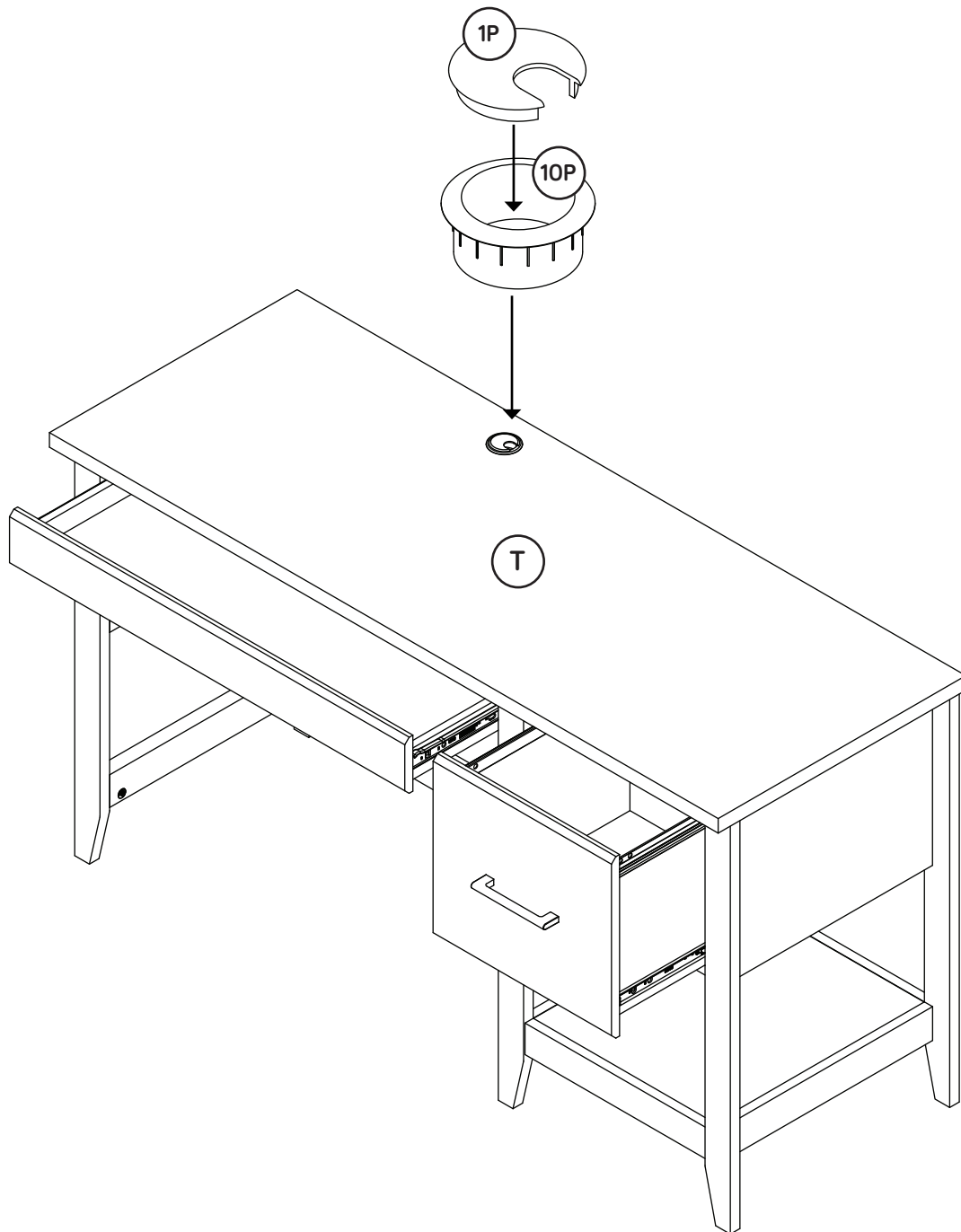
Step 20

- ✚ Push the FILE GLIDES (4B) onto the FILE DRAWER SIDES (D14 and D15).
- ✚ Carefully stand your unit upright.
- ✚ To insert the PENCIL DRAWER (O) into your unit, tip the front of the drawer down and drop the rollers on the drawer behind the rollers on the unit. Lift the front of the drawer up and slide it into the unit.
- ✚ To insert the FILE DRAWER (F) into your unit, line up the EXTENSION SLIDES on the drawer with the EXTENSION RAILS on the unit and push the drawer into the unit until the drawer is fully inserted. The drawer will push in hard until it is all the way in, then it will slide in and out easier.



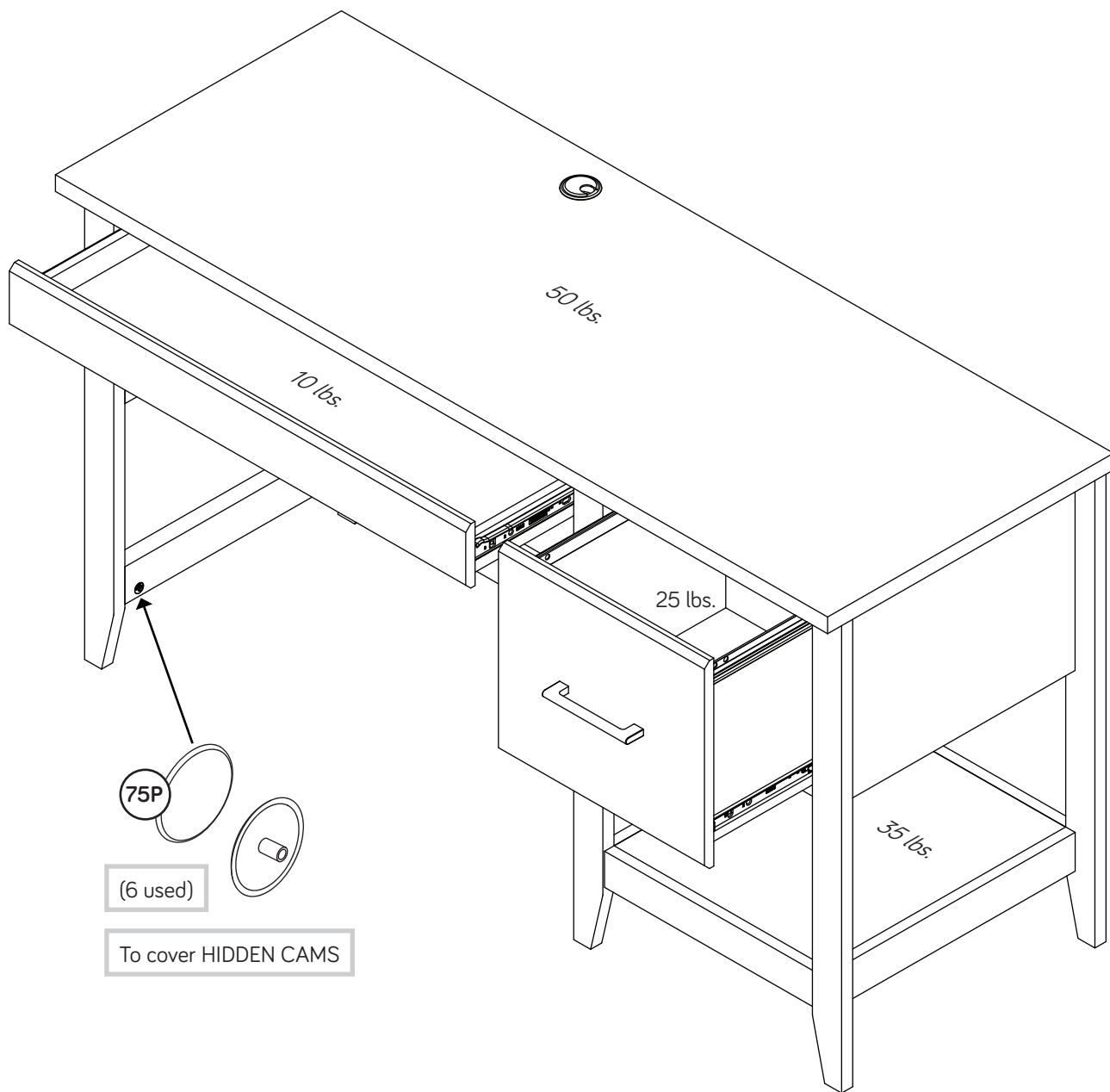
Step 21

- ✚ Insert the GROMMET (10P) and GROMMET CAP (1P) into the large hole in the TOP (T).



Step 22

- Using your hammer, gently tap a CAM COVER (75P) onto each visible HIDDEN CAM.



Step 23

🔧 To make adjustments to the drawer, loosen SCREW #3 in the SLIDES a 1/4 turn, then turn the cam clockwise or counter-clockwise. Notice how the drawer raises or lowers as you turn the cam. By adjusting the drawer this way, it will help the DRAWER FRONT line up better when closed. Tighten the SCREWS when finished with adjustments.

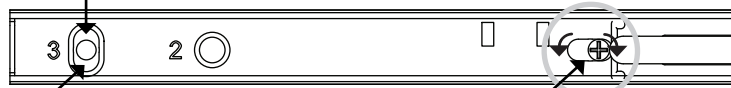
🔧 NOTE: Please read the back pages of the instruction booklet for important safety information.

🔧 This completes assembly. Clean with a damp cloth. Wipe dry.

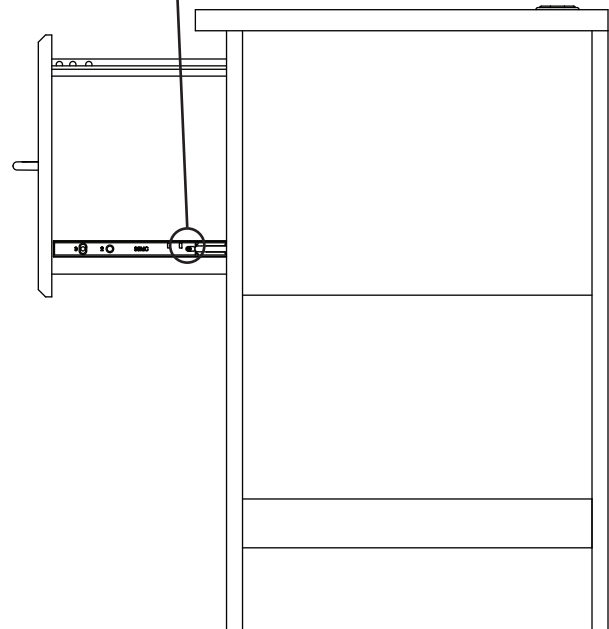
★ **And to celebrate, why not share your success story at sauder.com or**     

Loosen screw #3 a 1/4 turn, turn the cam a 1/4 turn maximum in both the clockwise and counter-clockwise directions to make adjustments, and then tighten screw #3.

The higher the screw in the oblong hole, the higher your drawer front will be. The lower the screw, the lower the drawer front.



Cam



Utilisez les instructions d'assemblage en français avec les schémas étape par étape du manuel d'instruction en anglais. Chaque étape en français correspond à la même étape en anglais. Comparer la "Liste de pièces" ci-dessous avec la "PART IDENTIFICATION" du manuel en anglais pour vous familiariser avec les pièces avant l'assemblage.

REMARQUE : CE MANUEL D'INSTRUCTIONS CONTIENT **D'IMPORTANTES** INFORMATIONS RELATIVES À LA SÉCURITÉ. À LIRE ET CONSERVER POUR TOUTE RÉFÉRENCE FUTURE.

NOUS CONTACTER EN PREMIER**AVANT D'EFFECTUER TOUT RETOUR AU MAGASIN.**

Nous faisons de notre mieux pour nous assurer que votre meuble arrive dans d'excellentes conditions. Nos représentants du service Clientèle sont aimables et prêts à vous aider au cas où une pièce aurait été endommagée ou manquerait (ou si vous aviez besoin d'aide pour l'assemblage). Composez ce numéro d'appel gratuit:

1-800-523-3987

**Du lundi au vendredi, de 9 heures du matin à
5:30 heures du soir (horaire Côte Est)**

(sauf jours fériés)

Si une pièce a besoin d'être remplacée, la pièce de remplacement sera envoyée dans les 48 heures. (Sauf week-ends et jours fériés)

Noter la date d'achat de cet élément et conserver le livret pour future référence. Pour contacter Sauder en ce qui concerne cet élément, faire référence au numéro de lot et numéro de modèle en appelant notre numéro sans frais.

Lot n° : _____

Date de l'achat : _____

| LISTE DE PIÈCES | | | LISTE DE PIÈCES | | |
|-----------------|--|----------|---|------------------------------------|----------|
| REFERENCE | DESCRIPTION | QUANTITÉ | REFERENCE | DESCRIPTION | QUANTITÉ |
| A | EXTRÉMITÉ DROITE..... | 1 | 35GA | ÉLÉMENT DROITE..... | 1 |
| B | EXTRÉMITÉ GAUCHE..... | 1 | 35GB | ÉLÉMENT GAUCHE..... | 1 |
| B51 | FOND DE TIROIR À CRAYONS..... | 1 | 35GC | TIROIR DROIT..... | 1 |
| C | VOILE DE FOND..... | 1 | 35GD | TIROIR GAUCHE..... | 1 |
| D | MONTANT..... | 1 | (ENSEMBLE DE GLISSIÈRE ILLUSTRÉ À PART) | | |
| D14 | CÔTÉ DROIT DE TIROIR POUR DOSSIERS..... | 1 | 35MA | GLISSIÈRE D'EXTENSION..... | 2 |
| D15 | CÔTÉ GAUCHE DE TIROIR POUR DOSSIERS..... | 1 | 35MC | COULISSE D'EXTENSION..... | 2 |
| D78 | ARRIÈRE DE TIROIR POUR DOSSIERS..... | 1 | 10A | EXCENTRIQUE DE COULISSE..... | 2 |
| D266 | CÔTÉ DROIT DE TIROIR À CRAYONS..... | 1 | 4B | ARMATURE DE DOSSIER..... | 2 |
| D267 | CÔTÉ GAUCHE DE TIROIR À CRAYONS..... | 1 | 1F | EXCENTRIQUE ESCAMOTABLE..... | 38 |
| D540 | ARRIÈRE DE TIROIR À CRAYONS..... | 1 | 2F | CHEVILLE D'EXCENTRIQUE..... | 20 |
| D541 | DEVANT DE CAISSON DE TIROIR À CRAYONS..... | 1 | 8F | VIS D'EXCENTRIQUE..... | 18 |
| D716 | FOND DE TIROIR POUR DOSSIERS..... | 1 | 15F | CHEVILLE EN BOIS..... | 11 |
| E | DESSOUS..... | 1 | 24F | CHEVILLE EN FORME DE CROIX..... | 2 |
| F | DEVANT DE TIROIR POUR DOSSIERS..... | 1 | 43G | CONSOLE D'EXTENSION..... | 2 |
| G | ENTRETOISE GAUCHE..... | 1 | 35K | POIGNÉE..... | 1 |
| H | MOULURE GAUCHE DU DESSOUS..... | 1 | 177M | COLLE..... | 1 |
| J | MOULURE AVANT/ARRIÈRE..... | 2 | 1P | COUVERCLE DE PASSE-CÂBLES..... | 1 |
| K | ENTRETOISE LONGUE..... | 1 | 10P | PASSE-CÂBLES..... | 1 |
| L | PIED AVANT GAUCHE/ARRIÈRE DROIT DE CAISSON..... | 2 | 75P | COUVERCLE D'EXCENTRIQUE..... | 6 |
| M | ARRIÈRE..... | 1 | 1S | VIS TÊTE LARGE 14 mm NOIRE..... | 4 |
| N | ENTRETOISE..... | 1 | 3S | VIS TÊTE PLATE 8 mm DORÉE..... | 16 |
| O | DEVANT DE TIROIR À CRAYONS..... | 1 | 17S | VIS TÊTE LARGE 22 mm NOIRE..... | 4 |
| P | PIED AVANT DROIT/ARRIÈRE GAUCHE DE CAISSON..... | 2 | 30S | VIS TÊTE PLATE 40 mm NOIRE..... | 8 |
| Q | PIED AVANT GAUCHE DE BUREAU..... | 1 | 37S | VIS À MÉTAUX 22 mm NOIRE..... | 2 |
| R | PIED ARRIÈRE GAUCHE DE BUREAU..... | 1 | 103S | BOULON TÊTE PLATE 60 mm NOIRE..... | 2 |
| S | MOULURE DROITE DU DESSOUS..... | 1 | 113S | VIS TÊTE PLATE 49 mm NOIRE..... | 2 |
| T | DESSUS..... | 1 | | | |

ÉTAPE 1

Ne pas serrer les EXCENTRIQUES ESCAMOTABLES dans cette étape.

Assembler l'élément sur un sol à moquette ou sur le carton vide pour éviter d'endommager l'élément ou le sol.

Enfoncer vingt EXCENTRIQUES ESCAMOTABLES (1F) dans les EXTRÉMITÉS (A et B), le VOILE DE FOND (C), le MONTANT (D), le DESSOUS (E), l'ARRIÈRE (M) et l'ENTRETOISE (N). Ensuite, insérer l'extrémité en métal de la CHEVILLE D'EXCENTRIQUE (2F) dans chaque EXCENTRIQUE ESCAMOTABLE.

ÉTAPE 2

Enfoncer dix-huit EXCENTRIQUES ESCAMOTABLES (1F) dans les trous restants des EXTRÉMITÉS (A et B), du MONTANT (D), de l'ENTRETOISE GAUCHE (G) et des MOULURES DE DESSOUS (H et S).

ÉTAPE 3

Attention: Examiner bien les pièces avant d'assembler. Il est difficile de séparer des pièces une fois encollées.

Faire tourner dix-huit VIS D'EXCENTRIQUE (8F) dans les PIEDS (L, P, Q et R).

Tout d'abord, remplir le trou dans l'extrémité du PIED (Q) de 1/4 à 1/2 pleins de COLLE (177M). Insérer ensuite la CHEVILLE EN BOIS (15F) dans le trou. Nettoyer l'excès de COLLE.

ÉTAPE 4

Attention: Examiner bien les pièces avant d'assembler. Il est difficile de séparer des pièces une fois encollées.

Tout d'abord, remplir les trous dans les PIEDS (Q et R) de 1/4 à 1/2 pleins de COLLE (177M). Insérer ensuite les CHEVILLES EN BOIS (15F) dans les trous. Nettoyer l'excès de COLLE.

Maintenant, remplir les trous dans l'EXTRÉMITÉ GAUCHE (B) et l'ENTRETOISE GAUCHE (G) de 1/4 à 1/2 pleins de COLLE.

Fixer les PIEDS (Q et R) à l'EXTRÉMITÉ GAUCHE (B) et à l'ENTRETOISE GAUCHE (G). Serrer six EXCENTRIQUES ESCAMOTABLES. Nettoyer l'excès de COLLE.

REMARQUE : S'assurer de bien insérer les CHEVILLES EN BOIS des PIEDS dans l'EXTRÉMITÉ GAUCHE et l'ENTRETOISE GAUCHE.

ÉTAPE 5

Fixer les PIEDS (L et P) à l'EXTRÉMITÉ DROITE (A) et à la MOULURE DROITE DU DESSOUS (S). Serrer six EXCENTRIQUES ESCAMOTABLES.

REMARQUE : Placer la MOULURE DROITE DU DESSOUS (S) exactement comme l'indique le schéma.

ÉTAPE 6

Fixer les PIEDS (L et P) au MONTANT (D) et à la MOULURE GAUCHE DU DESSOUS (H). Serrer six EXCENTRIQUES ESCAMOTABLES.

REMARQUE : Placer la MOULURE GAUCHE DU DESSOUS (H) exactement comme l'indique le schéma.

ÉTAPE 7

Séparer les COULISSES D'EXTENSION (35MC) des GLISSIÈRES D'EXTENSION (35MA) comme l'indique le schéma du haut ci-dessous. Faire attention car les pièces sont graissées.

Fixer les GLISSIÈRES D'EXTENSION (35MA) à l'EXTRÉMITÉ DROITE (A) et au MONTANT (D). Utiliser quatre VIS TÊTE PLATE 8 mm DORÉES (3S) à travers les trous n° 1 et n° 3.

REMARQUE : Pour chaque GLISSIÈRE D'EXTENSION, faire tourner une VIS dans le trou indiqué dans le schéma agrandi. Ensuite, enfiler la cartouche interne de la GLISSIÈRE D'EXTENSION vers l'intérieur pour trouver l'autre trou qui est aligné sur le trou dans l'EXTRÉMITÉ/MONTANT. Faire tourner une VIS dans ce trou.

REMARQUE : Les COULISSES D'EXTENSION (35MC) seront utilisées ultérieurement pour le TIROIR POUR DOSSIERS.

ÉTAPE 8

Avec précaution, retourner le MONTANT (D).

Fixer deux CONSOLES D'EXTENSION (43G) au MONTANT (D). Utiliser quatre VIS TÊTE LARGE 14 mm NOIRES (1S).

Fixer l'ÉLÉMENT DROITE (35GA) aux CONSOLES D'EXTENSION (43G) sur le MONTANT (D). Utiliser deux VIS TÊTE PLATE 8 mm DORÉES (3S) à travers les trous n° 1 et n° 3.

REMARQUE : Utiliser les trous exacts illustrés dans les CONSOLES D'EXTENSION.

Fixer l'ÉLÉMENT GAUCHE (35GB) à l'EXTRÉMITÉ GAUCHE (B). Utiliser deux VIS TÊTE PLATE 8 mm DORÉES (3S) à travers les trous n° 1 et n° 3.

ÉTAPE 9

Fixer le VOILE DE FOND (C) à l'EXTRÉMITÉ GAUCHE (B). Serrer deux EXCENTRIQUES ESCAMOTABLES.

Attention: Risque des dégâts ou blessures. Les Excentriques Escamotables doivent être serrés à bloc. Les Excentriques Escamotables que ne sont pas serrés à bloc peuvent desserrer et les pièces peuvent séparer. Pour serrer à bloc, faire tourner l'excentrique escamotable de 210 degrés.

ÉTAPE 10

Attention: Examiner bien les pièces avant d'assembler. Il est difficile de séparer des pièces une fois encollées.

Tout d'abord, remplir le trou dans le DESSUS (T) de 1/4 à 1/2 pleins de COLLE (177M).

Ensuite, fixer l'EXTRÉMITÉ GAUCHE (B) et le VOILE DE FOND (C) au DESSUS (T). Serrer quatre EXCENTRIQUES ESCAMOTABLES.

REMARQUE : S'assurer de bien insérer la CHEVILLE EN BOIS située sur le PIED (Q) dans le DESSUS. Nettoyer l'excès de COLLE.

ÉTAPE 11

Attention: Examiner bien les pièces avant d'assembler. Il est difficile de séparer des pièces une fois encollées.

Enfoncer deux CHEVILLES EN FORME DE CROIX (24F) dans l'ENTRETOISE LONGUE (K) comme l'indique le schéma.

REMARQUE : Les filets dans la CHEVILLE doivent être dirigées vers le trou dans le bord de l'ENTRETOISE LONGUE.

Tout d'abord, remplir les trous des extrémités de l'ENTRETOISE LONGUE (K) 1/4 à 1/2 pleins de COLLE (177M). Insérer ensuite les CHEVILLES EN BOIS (15F) dans les trous. Nettoyer l'excès de COLLE.

Maintenant, remplir le trou dans l'ENTRETOISE GAUCHE (G) de 1/4 à 1/2 pleins de COLLE.

Fixer l'ENTRETOISE LONGUE (K) à l'ENTRETOISE GAUCHE (G). Utiliser un BOULON TÊTE PLATE 60 mm NOIRE (103S).

REMARQUE : Le BOULON va se visser sur la CHEVILLE dans l'ENTRETOISE LONGUE.

REMARQUE : S'assurer de bien insérer la CHEVILLE EN BOIS de l'ENTRETOISE LONGUE dans l'ENTRETOISE GAUCHE. Nettoyer l'excès de COLLE.

ÉTAPE 12

Attention: Examiner bien les pièces avant d'assembler. Il est difficile de séparer des pièces une fois encollées.

Maintenant, remplir le trou dans la MOULURE GAUCHE DU DESSOUS (H) de 1/4 à 1/2 pleins de COLLE.

Ensuite, fixer le MONTANT (D) au DESSUS (T). Serrer deux EXCENTRIQUES ESCAMOTABLES.

REMARQUE : S'assurer de bien insérer la CHEVILLE EN BOIS de l'ENTRETOISE LONGUE (K) dans la MOULURE GAUCHE DU DESSOUS (H). Nettoyer l'excès de COLLE.

Fixer la MOULURE GAUCHE DU DESSOUS (H) à l'ENTRETOISE LONGUE (K). Utiliser un BOULON TÊTE PLATE 60 mm NOIRE (103S).

Fixer le MONTANT (D) au VOILE DE FOND (C). Utiliser deux VIS TÊTE PLATE 49 mm NOIRES (113S).

ÉTAPE 13

Attention: Examiner bien les pièces avant d'assembler. Il est difficile de séparer des pièces une fois encollées.

Tout d'abord, remplir les trous dans l'ENTRETOISE (N) de 1/4 à 1/2 pleins de COLLE (177M). Insérer ensuite les CHEVILLES EN BOIS (15F) dans les trous. Nettoyer l'excès de COLLE.

Maintenant, remplir le trou dans le MONTANT (D) de 1/4 à 1/2 pleins de COLLE.

Fixer l'ENTRETOISE (N) au MONTANT (D). Serrer un EXCENTRIQUE ESCAMOTABLE.

REMARQUE : S'assurer de bien insérer la CHEVILLE EN BOIS située sur l'ENTRETOISE dans le MONTANT. Nettoyer l'excès de COLLE.

Insérer les CHEVILLES D'EXCENTRIQUE situées dans le bord de l'ARRIÈRE (M) dans le MONTANT (D) mais sans les serrer.

ÉTAPE 14

Enfiler les MOULURES AVANT/ARRIÈRE* (J) sur les bords crantés du DESSOUS (E).

Fixer le DESSOUS (E) à la MOULURE GAUCHE DU DESSOUS (H). Serrer deux EXCENTRIQUES ESCAMOTABLES.

* Brevet État Unis n° 5,499,886

ÉTAPE 15

Attention: Examiner bien les pièces avant d'assembler. Il est difficile de séparer des pièces une fois encollées.

Tout d'abord, remplir le trou dans l'EXTRÉMITÉ DROITE (A) de 1/4 à 1/2 pleins de COLLE.

Ensuite, fixer l'EXTRÉMITÉ DROITE (A) au DESSOUS (E), à l'ARRIÈRE (M), à l'ENTRETOISE (N) et au DESSUS (T). Serrer sept EXCENTRIQUES ESCAMOTABLES.

REMARQUE : Il est peut-être nécessaire de relever l'ARRIÈRE (M) délicatement pour aligner les trous.

REMARQUE : S'assurer de bien insérer la CHEVILLE EN BOIS de l'ENTRETOISE (N) dans l'EXTRÉMITÉ DROITE (A). Nettoyer l'excès de COLLE.

Fixer l'ARRIÈRE (M) au MONTANT (D). Serrer deux EXCENTRIQUES ESCAMOTABLES.

ÉTAPE 16

Fixer l'ARRIÈRE DE TIROIR À CRAYONS (D540) aux CÔTÉS DE TIROIR À CRAYONS (D266 et D267). Utiliser deux VIS TÊTE PLATE 40 mm NOIRES (30S).

Enfiler le FOND DE TIROIR À CRAYONS (B51) dans les rainures des CÔTÉS DE TIROIR À CRAYONS (D266 et D267) et de l'ARRIÈRE DE TIROIR À CRAYONS (D540).

Fixer le DEVANT DE CAISSON DE TIROIR À CRAYONS (D541) aux CÔTÉS DE TIROIR À CRAYONS (D266 et D267). Utiliser deux VIS TÊTE PLATE 40 mm NOIRES (30S).

REMARQUE : S'assurer que le FOND DE TIROIR À CRAYONS (B51) s'encastre dans la rainure du DEVANT DE CAISSON DE TIROIR À CRAYONS (D541).

Fixer le DEVANT DE TIROIR À CRAYONS (O) au DEVANT DE CAISSON DE TIROIR À CRAYONS (D541). Utiliser quatre VIS TÊTE LARGE 22 mm NOIRES (17S).

ÉTAPE 17

Fixer le TIROIR DROIT (35GC) sur le CÔTÉ DROIT DE TIROIR À CRAYONS (D266) et le TIROIR GAUCHE (35GD) sur le CÔTÉ GAUCHE DE TIROIR À CRAYONS (D267). Utiliser quatre VIS TÊTE PLATE 8 mm DORÉES (3S) à travers les trous n° 1 et n° 3.

ÉTAPE 18

1 Insérer les CÔTÉS DE TIROIR POUR DOSSIERS (D14 et D15) en biseau dans la fente dans chaque extrémité du DEVANT DE TIROIR POUR DOSSIERS (F).

2 Enfiler le FOND DE TIROIR POUR DOSSIERS (D716) dans les rainures des CÔTÉS DE TIROIR POUR DOSSIERS (D14 et D15) et du DEVANT DE TIROIR POUR DOSSIERS (F).

3 Fixer l'ARRIÈRE DE TIROIR POUR DOSSIERS (D78) aux CÔTÉS DE TIROIR POUR DOSSIERS (D14 et D15). Utiliser quatre VIS TÊTE PLATE 40 mm NOIRES (30S).

REMARQUE : S'assurer que le FOND DE TIROIR POUR DOSSIERS (D716) s'encastre dans la rainure de l'ARRIÈRE DE TIROIR POUR DOSSIERS (D78).

ÉTAPE 19

Insérer une EXCENTRIQUE DE COULISSE (10A) dans les CÔTÉS DE TIROIR POUR DOSSIERS (D14 et D15).

Fixer les COULISSES D'EXTENSION (35MC) aux CÔTÉS DE TIROIR POUR DOSSIERS (D14 et D15). Utiliser quatre VIS TÊTE PLATE 8 mm DORÉES (3S) à travers les trous n° 1 et n° 3.

REMARQUE : La tête de vis dans l'EXCENTRIQUE doit être visible à travers le trou fendu dans la COULISSE.

ÉTAPE 19 (SUITE)

Fixer la POIGNÉE (35K) au DEVANT DE TIROIR POUR DOSSIERS (F). Utiliser deux VIS À MÉTAUX 22 mm NOIRES (37S).

ÉTAPE 20

Enfiler les ARMATURES POUR DOSSIERS (4B) sur les CÔTÉS DE TIROIR POUR DOSSIERS (D14 et D15).

Relever, avec précaution, l'élément dans sa position verticale.

Pour insérer le TIROIR À CRAYONS (O) dans l'élément, abaisser le devant du tiroir et faire passer les roulettes situées sur le tiroir derrière les roulettes situées sur l'élément. Relever le devant du tiroir et l'enfiler dans l'élément.

Pour insérer le TIROIR POUR DOSSIERS (F) dans l'élément, aligner les COULISSES D'EXTENSION du tiroir sur les GLISSIÈRES D'EXTENSION de l'élément et enfoncer le tiroir dans l'élément jusqu'à ce que le tiroir soit complètement inséré. Le tiroir offrira une certaine résistance jusqu'à ce qu'il soit complètement inséré dans l'élément, il glissera ensuite sans difficulté.

ÉTAPE 21

Insérer le PASSE-CÂBLES (10P) et un COUVERCLE DE PASSE-CÂBLES (1P) dans le gros trou du DESSUS (T).

ÉTAPE 22

À l'aide d'un marteau, enfoncer un COUVERCLE D'EXCENTRIQUE (75P) sur chaque EXCENTRIQUE ESCAMOTABLE visible.

ÉTAPE 23

Pour ajuster le tiroir, desserrer la VIS n° 3 dans les COULISSES un quart de tour et tourner ensuite la came dans le sens des aiguilles d'une montre ou dans le sens contraire. Noter que le tiroir monte ou descend lorsque l'on tourne la came. Ajuster le tiroir de cette manière permet au DEVANT DE TIROIR d'être mieux aligné une fois fermé. Resserrer les VIS après d'avoir ajusté.

REMARQUE : Prière de lire les informations importantes sur la sécurité figurant sur les pages arrière du manuel d'instructions.

Ceci complète l'assemblage. Nettoyer avec un tissu humide. Essuyer.

Use estas instrucciones de ensamblaje en español junto con las figuras paso-a-paso provistas en el folleto inglés. Cada paso en español corresponde al mismo paso en inglés. Compare la "Lista de Part" abajo con la "Part Identification" en el folleto en inglés para familiarizarse con Las partes de ensamblaje.

NOTA: ESTE FOLLETO DE INSTRUCCIONES CONTIENE INFORMACIÓN **IMPORTANTE** SOBRE LA SEGURIDAD. POR FAVOR LEA Y GUÁRDELO PARA REFERENCIA EN EL FUTURO.

**CONTÁCTENOS PRIMERO
ANTES DE HACER DEVOLUCIONES A LA TIENDA.**

Tratamos de asegurar que su mueble llega en condición excelente. Nuestros representantes de Servicio al Cliente son amables y listos para ayudarlo con servicio rápido y eficiente si una parte está defectuosa o ausente (o si necesita ayuda con el ensamblaje). Llame este número sin cargo:

1-800-523-3987

**Lunes a viernes, 9:00 a.m. - 5:30 p.m.
Hora oficial del Este
(excepto días festivos)**

Si requiere un repuesto de una parte, será enviado dentro de 48 horas (excepto los fines de semana y días festivos)

Anote la fecha de comprar esta unidad y guarde el folleto para su referencia futura. Si necesita ponerse en contacto con Sauder en cuanto a esta unidad, refiérase al número de lote y al número de modelo cuando llame a nuestro número gratis.

No. lote: _____

Fecha de compra: _____

| LISTA DE PARTES | | | LISTA DE PARTES | | |
|-----------------|--|----------|--|---|----------|
| ITEM | DESCRIPCIÓN | CANTIDAD | ITEM | DESCRIPCIÓN | CANTIDAD |
| A | EXTREMO DERECHO | 1 | 35GA | GABINETE DERECHO | 1 |
| B | EXTREMO IZQUIERDO | 1 | 35GB | GABINETE IZQUIERDO | 1 |
| B51 | FONDO DE CAJÓN PARA LÁPICES | 1 | 35GC | CAJÓN DERECHO | 1 |
| C | VELO DE FONDO | 1 | 35GD | CAJÓN IZQUIERDO | 1 |
| D | PARAL | 1 | (JUEGO DE EXTENSIÓN SE MUESTRA POR SEPARADO) | | |
| D14 | LADO DERECHO DE CAJÓN DEL ARCHIVERO | 1 | 35MA | RIEL DE EXTENSIÓN | 2 |
| D15 | LADO IZQUIERDO DE CAJÓN DEL ARCHIVERO | 1 | 35MC | CORREDERA DE EXTENSIÓN | 2 |
| D78 | DORSO DE CAJÓN DEL ARCHIVERO | 1 | 10A | EXCÉNTRICO DE CORREDERA | 2 |
| D266 | LADO DERECHO DE CAJÓN PARA LÁPICES | 1 | 4B | CORRIMIENTO DE ARCHIVERO | 2 |
| D267 | LADO IZQUIERDO DE CAJÓN PARA LÁPICES | 1 | 1F | EXCÉNTRICO ESCONDIDO | 38 |
| D540 | DORSO DE CAJÓN PARA LÁPICES | 1 | 2F | PASADOR DE EXCÉNTRICO | 20 |
| D541 | FRENTE DE CAJÓN PARA LÁPICES | 1 | 8F | BIELA DE EXCÉNTRICO | 18 |
| D716 | FONDO DE CAJÓN DEL ARCHIVERO | 1 | 15F | PASADOR DE MADERA | 11 |
| E | FONDO | 1 | 24F | PASADOR CRUZADO CON RANURA | 2 |
| F | CARA DE CAJÓN DEL ARCHIVERO | 1 | 43G | MÉNSULA DE EXTENSIÓN | 2 |
| G | RIOSTRA IZQUIERDA | 1 | 35K | TIRADOR | 1 |
| H | MOLDURA IZQUIERDA DE FONDO | 1 | 177M | PEGAMENTO | 1 |
| J | MOLDURA DELANTERA/POSTERIOR | 2 | 1P | CUBIERTA DE OJAL | 1 |
| K | RIOSTRA LARGA | 1 | 10P | OJAL | 1 |
| L | PATA IZQUIERDA DELANTERA/DERECHA POSTERIOR DE PEDESTAL | 2 | 75P | CUBIERTA DE EXCÉNTRICO | 6 |
| M | DORSO | 1 | 1S | TORNILLO NEGRO DE CABEZA GRANDE de 14 mm | 4 |
| N | RIOSTRA | 1 | 3S | TORNILLO DORADO DE CABEZA PERDIDA de 8 mm | 16 |
| O | CARA DE CAJÓN PARA LÁPICES | 1 | 17S | TORNILLO NEGRO DE CABEZA GRANDE de 22 mm | 4 |
| P | PATA DERECHA DELANTERA/IZQUIERDA POSTERIOR DE PEDESTAL | 2 | 30S | TORNILLO NEGRO DE CABEZA PERDIDA de 40 mm | 8 |
| Q | PATA DELANTERA IZQUIERDA DE ESCRITORIO | 1 | 37S | TORNILLO NEGRO PARA METAL de 22 mm | 2 |
| R | PATA POSTERIOR IZQUIERDA DE ESCRITORIO | 1 | 103S | PERNO NEGRO DE CABEZA PERDIDA de 60 mm | 2 |
| S | MOLDURA DERECHA DE FONDO | 1 | 113S | TORNILLO NEGRO DE CABEZA PERDIDA de 49 mm | 2 |
| T | PANEL SUPERIOR | 1 | | | |

PASO 1

No apriete los EXCÉNTRICOS ESCONDIDOS en este paso.

Ensamble la unidad sobre un piso alfombrado o sobre el cartón vacío para evitar rayar la unidad o el piso.

Empuje veinte EXCÉNTRICOS ESCONDIDOS (1F) en los EXTREMOS (A y B), el VELO DE FONDO (C), el PARAL (D), el FONDO (E), el DORSO (M) y la RIOSTRA (N). A continuación, inserte el extremo de metal de un PASADOR DE EXCÉNTRICO (2F) dentro de cada EXCÉNTRICO ESCONDIDO.

PASO 2

Empuje dieciocho EXCÉNTRICOS ESCONDIDOS (1F) en los agujeros restantes de los EXTREMOS (A y B), del PARAL (D), de la RIOSTRA IZQUIERDA (G) y de las MOLDURAS DE FONDO (H y S).

PASO 3

Precaución: Revise las partes cuidadosamente antes de ensamblar. La separación de las piezas ya pegadas es muy difícil.

Atornille dieciocho BIELAS DE EXCÉNTRICO (8F) en las PATAS (L, P, Q y R).

Primero, llene el agujero en el extremo de la PATA (Q) hasta 1/4 a 1/2 con PEGAMENTO (177M). A continuación, inserte el PASADOR DE MADERA (15F) dentro del agujero. Quite el exceso de PEGAMENTO.

PASO 4

Precaución: Revise las partes cuidadosamente antes de ensamblar. La separación de las piezas ya pegadas es muy difícil.

Primero, llene los agujeros de las PATAS (Q y R) hasta 1/4 a 1/2 con PEGAMENTO (177M). A continuación, inserte los PASADORES DE MADERA (15F) dentro de los agujeros. Quite el exceso de PEGAMENTO.

Ahora, llene los agujeros del EXTREMO IZQUIERDO (B) y de la RIOSTRA IZQUIERDA (G) hasta 1/4 a 1/2 con PEGAMENTO.

Fije las PATAS (Q y R) al EXTREMO IZQUIERDO (B) y a la RIOSTRA IZQUIERDA (G). Apriete seis EXCÉNTRICOS ESCONDIDOS. Quite el exceso de PEGAMENTO.

NOTA: Asegúrese de que los PASADORES DE MADERA fijados a las PATAS se inserten en el EXTREMO IZQUIERDO y la RIOSTRA IZQUIERDA.

PASO 5

Fije las PATAS (L y P) al EXTREMO DERECHO (A) y a la MOLDURA DERECHA DE FONDO (S). Apriete seis EXCÉNTRICOS ESCONDIDOS.

NOTA: Coloque la MOLDURA DERECHA DE FONDO (S) exactamente como se muestra.

PASO 6

Fije las PATAS (L y P) al PARAL (D) y a la MOLDURA IZQUIERDA DE FONDO (H). Apriete seis EXCÉNTRICOS ESCONDIDOS.

NOTA: Coloque la MOLDURA IZQUIERDA DE FONDO (H) exactamente como se muestra.

PASO 7

Separe las CORREDERAS DE EXTENSIÓN (35MC) de los RIELES DE EXTENSIÓN (35MA) como se muestra en el diagrama superior más abajo. Prepárese, las piezas son grasientas.

Fije los RIELES DE EXTENSIÓN (35MA) al EXTREMO DERECHO (A) y al PARAL (D). Utilice cuatro TORNILLOS DORADOS DE CABEZA PERDIDA de 8 mm (3S) a través de los agujeros No. 1 y No. 3.

NOTA: Para cada RIEL DE EXTENSIÓN, atornille un TORNILLO dentro del agujero indicado en el diagrama ampliado. A continuación, deslice el cartucho interno del RIEL DE EXTENSIÓN hacia el interior para encontrar el otro agujero que se alinea con el agujero del EXTREMO / PARAL. Atornille un TORNILLO dentro de este agujero.

NOTA: Las CORREDERAS DE EXTENSIÓN (35MC) se utilizarán más tarde para el CAJÓN DE ARCHIVERO.

PASO 8

Cuidadosamente vuelva el PARAL (D) al revés.

Fije dos MÉNSULAS DE EXTENSIÓN (43G) al PARAL (D). Utilice cuatro TORNILLOS NEGROS DE CABEZA GRANDE de 14 mm (1S).

Fije el GABINETE DERECHO (35GA) a las MÉNSULAS DE EXTENSIÓN (43G) sujetadas al PARAL (D). Utilice dos TORNILLOS DORADOS DE CABEZA PERDIDA de 8 mm (3S) a través de los agujeros No. 1 y No. 3.

NOTA: Utilice los agujeros correspondientes indicados en las MÉNSULAS DE EXTENSIÓN.

Fije el GABINETE IZQUIERDO (35GB) al EXTREMO IZQUIERDO (B). Utilice dos TORNILLOS DORADOS DE CABEZA PERDIDA de 8 mm (3S) a través de los agujeros No. 1 y No. 3.

PASO 9

Fije el VELO DE FONDO (C) al EXTREMO IZQUIERDO (B). Apriete dos EXCÉNTRICOS ESCONDIDOS.

Precaución: Riesgo de daños o heridas. Los Excéntricos Escondidos deben apretarse completamente. Los Excéntricos Escondidos que no se aprieten completamente se aflojarán y las partes pueden separarse. Para apretar completamente, atornille el excéntrico escondido 210 grados.

PASO 10

Precaución: Revise las partes cuidadosamente antes de ensamblar. La separación de las piezas ya pegadas es muy difícil.

Primero, llene el agujero del PANEL SUPERIOR (T) hasta 1/4 a 1/2 con PEGAMENTO (177M).

A continuación, fije el EXTREMO IZQUIERDO (B) y el VELO DE FONDO (C) al PANEL SUPERIOR (T). Apriete cuatro EXCÉNTRICOS ESCONDIDOS.

NOTA: Asegúrese de que el PASADOR DE MADERA en la PATA (Q) se inserte en el PANEL SUPERIOR. Quite el exceso de PEGAMENTO.

PASO 11

Precaución: Revise las partes cuidadosamente antes de ensamblar. La separación de las piezas ya pegadas es muy difícil.

Empuje dos PASADORES CRUZADOS CON RANURA (24F) en la RIOSTRA LARGA (K), tal como se muestra.

NOTA: Las roscas en el PASADOR deben estar orientadas hacia el agujero en el borde de la RIOSTRA LARGA.

Primero, llene los agujeros en los extremos de la RIOSTRA LARGA (K) hasta 1/4 a 1/2 con PEGAMENTO (177M). A continuación, inserte los PASADORES DE MADERA (15F) dentro de los agujeros. Quite el exceso de PEGAMENTO.

Ahora, llene el agujero de la RIOSTRA IZQUIERDA (G) hasta 1/4 a 1/2 con PEGAMENTO.

Fije la RIOSTRA LARGA (K) a la RIOSTRA IZQUIERDA (G). Utilice uno PERNO NEGRO DE CABEZA PERDIDA de 60 mm (103S).

NOTA: Gire el PERNO en el PASADOR de la RIOSTRA LARGA.

NOTA: Asegúrese de que el PASADOR DE MADERA en la RIOSTRA LARGA se introduzca en la RIOSTRA IZQUIERDA. Quite el exceso de PEGAMENTO.

PASO 12

Precaución: Revise las partes cuidadosamente antes de ensamblar. La separación de las piezas ya pegadas es muy difícil.

Primero, llene el agujero de la MOLDURA IZQUIERDA DE FONDO (H) hasta 1/4 a 1/2 con PEGAMENTO.

A continuación, fije el PARAL (D) al PANEL SUPERIOR (T). Apriete dos EXCÉNTRICOS ESCONDIDOS.

NOTA: Asegúrese de que el PASADOR DE MADERA en la RIOSTRA LARGA (K) se introduzca en la MOLDURA IZQUIERDA DE FONDO (H). Quite el exceso de PEGAMENTO.

Fije la MOLDURA IZQUIERDA DE FONDO (H) a la RIOSTRA LARGA (K). Utilice uno PERNO NEGRO DE CABEZA PERDIDA de 60 mm (103S).

Fije el PARAL (D) al VELO DE FONDO (C). Utilice dos TORNILLOS NEGROS DE CABEZA PERDIDA de 49 mm (113S).

PASO 13

Precaución: Revise las partes cuidadosamente antes de ensamblar. La separación de las piezas ya pegadas es muy difícil.

Primero, llene los agujeros de la RIOSTRA (N) hasta 1/4 a 1/2 con PEGAMENTO (177M). A continuación, inserte los PASADORES DE MADERA (15F) dentro de los agujeros. Quite el exceso de PEGAMENTO.

Ahora, llene el agujero del PARAL (D) hasta 1/4 a 1/2 con PEGAMENTO.

Fije la RIOSTRA (N) al PARAL (D). Apriete un EXCÉNTRICO ESCONDIDO.

NOTA: Asegúrese de que el PASADOR DE MADERA fijado a la RIOSTRA se inserte en el PARAL. Quite el exceso de PEGAMENTO.

Inserte los PASADORES DE EXCÉNTRICO sujetos al borde del DORSO (M) en el PARAL (D) pero no apriete los pasadores.

PASO 14

Deslice las MOLDURAS DELANTERAS/POSTERIORES* (J) sobre los bordes con muesca del FONDO (E).

Fije el FONDO (E) a la MOLDURA IZQUIERDA DE FONDO (H). Apriete dos EXCÉNTRICOS ESCONDIDOS.

*Patente EE. UU. No. 5,499,886

PASO 15

Precaución: Revise las partes cuidadosamente antes de ensamblar. La separación de las piezas ya pegadas es muy difícil.

Ahora, llene el agujero del EXTREMO DERECHO (A) hasta 1/4 a 1/2 con PEGAMENTO.

A continuación, fije el EXTREMO DERECHO (A) al FONDO (E), al DORSO (M), a la RIOSTRA (N) y al PANEL SUPERIOR (T). Apriete siete EXCÉNTRICOS ESCONDIDOS.

NOTA: Puede ser necesario levantar suavemente el DORSO (M) para alinear los agujeros.

NOTA: Asegúrese de que el PASADOR DE MADERA fijado a la RIOSTRA (N) se inserte en el EXTREMO DERECHO (A). Quite el exceso de PEGAMENTO.

Fije el DORSO (M) al PARAL (D). Apriete dos EXCÉNTRICOS ESCONDIDOS.

PASO 16

Fije el DORSO DE CAJÓN PARA LÁPICES (D540) a los LADOS DE CAJÓN PARA LÁPICES (D266 y D267). Utilice dos TORNILLOS NEGROS DE CABEZA PERDIDA de 40 mm (30S).

Deslice el FONDO DE CAJÓN PARA LÁPICES (B51) en las ranuras de los LADOS DE CAJÓN PARA LÁPICES (D266 y D267) y del DORSO DE CAJÓN PARA LÁPICES (D540).

Fije el FRENTE DE CAJÓN PARA LÁPICES (D541) a los LADOS DE CAJÓN PARA LÁPICES (D266 y D267). Utilice dos TORNILLOS NEGROS DE CABEZA PERDIDA de 40 mm (30S).

NOTA: Asegúrese de que el FONDO DE CAJÓN PARA LÁPICES (B51) ajuste en la ranura del FRENTE DE CAJÓN PARA LÁPICES (D541).

Fije la CARA DE CAJÓN PARA LÁPICES (O) al FRENTE DE CAJÓN PARA LÁPICES (D541). Utilice cuatro TORNILLOS NEGROS DE CABEZA GRANDE de 22 mm (17S).

PASO 17

Fije el CAJÓN DERECHO (35GC) al LADO DERECHO DE CAJÓN PARA LÁPICES (D266) y el CAJÓN IZQUIERDO (35GD) al LADO IZQUIERDO DE CAJÓN PARA LÁPICES (D267). Utilice cuatro TORNILLOS DORADOS DE CABEZA PERDIDA de 8 mm (3S) a través de los agujeros No. 1 y No. 3.

PASO 18

1 Inserte los LADOS DE CAJÓN DEL ARCHIVERO (D14 y D15) en ángulo dentro del encaje en cada extremo de la CARA DE CAJÓN DEL ARCHIVERO (F).

2 Deslice el FONDO DE CAJÓN DEL ARCHIVERO (D716) en las ranuras de los LADOS DE CAJÓN DEL ARCHIVERO (D14 y D15) y de la CARA DE CAJÓN DEL ARCHIVERO (F).

3 Fije el DORSO DE CAJÓN DEL ARCHIVERO (D78) a los LADOS DE CAJÓN DEL ARCHIVERO (D14 y D15). Utilice cuatro TORNILLOS NEGROS DE CABEZA PERDIDA de 40 mm (30S).

NOTA: Asegúrese que el FONDO DE CAJÓN DEL ARCHIVERO (D716) ajuste dentro de la ranura del DORSO DE CAJÓN DEL ARCHIVERO (D78).

PASO 19

Inserte un EXCÉNTRICO DE CORREDERA (10A) dentro de los LADOS DE CAJÓN DEL ARCHIVERO (D14 y D15).

Fije las CORREDERAS DE EXTENSIÓN (35MC) a los LADOS DE CAJÓN DEL ARCHIVERO (D14 y D15). Utilice cuatro TORNILLOS DORADOS DE CABEZA PERDIDA de 8 mm (3S) a través de los agujeros No. 1 y No. 3.

PASO 19 (CONTINUACIÓN)

NOTA: La cabeza de tornillo del EXCÉNTRICO debe ser visible a través del agujero alargado de la CORREDERA.

Fije el TIRADOR (35K) a la CARA DE CAJÓN DEL ARCHIVERO (F). Utilice dos TORNILLOS NEGROS PARA METAL de 22 mm (37S).

PASO 20

Fije los CORRIMIENTOS DE ARCHIVERO (4B) sobre los LADOS DE CAJÓN DEL ARCHIVERO (D14 y D15).

Cuidadosamente ponga la unidad en posición vertical.

Para insertar el CAJÓN PARA LÁPICES (O) en la unidad, incline la parte delantera del cajón y deje que los rodillos del cajón caigan detrás de los rodillos de la unidad. Levante la parte delantera del cajón y deslícelo dentro de la unidad.

Para insertar el CAJÓN DEL ARCHIVERO (F) en la unidad, alinee las CORREDERAS DE EXTENSIÓN sujetadas al cajón con los RIELES DE EXTENSIÓN sujetos a la unidad y empuje el cajón dentro de la unidad hasta que el cajón está completamente insertado. El cajón mueve con dificultad hasta que se inserten completamente dentro de la unidad, después deslizarán fácilmente hacia adentro y hacia afuera.

PASO 21

Inserte el OJAL (10P) y la CUBIERTA DE OJAL (1P) en el agujero grande del PANEL SUPERIOR (T).

PASO 22

Con un martillo, empuje una CUBIERTA DE EXCÉNTRICO (75P) sobre cada EXCÉNTRICO ESCONDIDO visible.

PASO 23

Para ajustar el cajón, afloje el TORNILLO No. 3 de las CORREDERAS una cuarta vuelta y después gire la leva hacia la derecha o hacia la izquierda. Observe que el cajón sube o baja al girar la leva. Al ajustar el cajón de esta manera, mejorará la alineación de la CARA DE CAJÓN una vez cerrada. Apriete los TORNILLOS después de hacer los ajustes.

NOTA: Por favor, lea las páginas de atrás del folleto de instrucciones en cuanto a importante información de seguridad.

Esto completa el ensamblaje. Limpiar con un trapo húmedo. Seque con un paño.

⚠ WARNING

Please use your furniture correctly and safely. Improper use can cause safety hazards, or damage to your furniture or household items. **Carefully read the following chart.**

| Look out for: | What can happen: | How to avoid the problem: |
|---|---|---|
| <ul style="list-style-type: none"> Overloaded shelves or drawers. Improper loading can cause the product to be top-heavy. | <ul style="list-style-type: none"> Risk of injury. Top-heavy furniture can tip over. Overloaded shelves and drawers can break. | <ul style="list-style-type: none"> Never exceed the weight limits shown in the instructions. Work from bottom to top when loading shelves and drawers. Place the heavier items on the lower shelves or in lower drawers. |
| <ul style="list-style-type: none"> Improperly moving furniture that is not designed and equipped with casters. | <ul style="list-style-type: none"> Furniture can tip over or break if improperly moved. Physical injury. Furniture can be very heavy. Breakage of tops - particularly with double pedestal furniture (drawers at both ends). | <ul style="list-style-type: none"> Unload shelves and drawers from top to bottom before moving the unit. Do not push furniture, especially on a carpeted floor. Have a friend help you lift the item and set it in place. Provide support to the center section of the top when lifting the furniture. |
| <ul style="list-style-type: none"> Placing TVs on furniture items that are not designed to support a television is hazardous. | <ul style="list-style-type: none"> Risk of injury or death. TVs can be very heavy. Plus the weight and location of the picture tube tends to make TVs unbalanced and prone to tipping forward. | <ul style="list-style-type: none"> This product is not designed to support a television. |

⚠ AVERTISSEMENT

Prière d'utiliser le mobilier à bon escient et avec prudence. Une mauvaise utilisation peut être à l'origine de risques d'accident ou peut endommager le mobilier et les articles ménagers. **Lire attentivement le tableau suivant.**

| À surveiller : | Danger éventuel : | Solution : |
|---|--|---|
| <ul style="list-style-type: none"> Tablettes ou tiroirs surchargés. En cas de chargement inadéquat l'élément peut être lourd du haut. | <ul style="list-style-type: none"> Risque de blessure. Du mobilier mal équilibré risque de se renverser. Tablettes et tiroirs surchargés risquent de casser. | <ul style="list-style-type: none"> Ne jamais excéder les limites de poids indiquées dans les instructions. Pour charger les tablettes et tiroirs, commencer par remplir celui du bas pour finir par celui du haut. Placer les articles plus lourds sur les tablettes inférieures ou dans les tiroirs inférieurs. |
| <ul style="list-style-type: none"> Déplacement inadéquat d'un mobilier qui n'est pas conçu pour avoir des roulettes et n'en est pas équipé. | <ul style="list-style-type: none"> Le mobilier risque de se renverser ou de casser en cas de déplacement inadéquat. Blessure physique. Le mobilier peut être très lourd. Défaillance des dessus surtout avec les éléments de double piédestaux (tiroirs en chaque extrémité). | <ul style="list-style-type: none"> Décharger les tablettes et tiroirs en commençant par celui du haut avant de déplacer l'élément. Ne pas pousser le meuble, surtout sur la moquette. Se faire aider par une autre personne pour soulever l'élément et le mettre en place. Supporter la section centrale du dessus lorsque l'on soulève le meuble. |
| <ul style="list-style-type: none"> Il est dangereux de placer des téléviseurs sur des meubles que ne sont pas prévus à cet effet. | <ul style="list-style-type: none"> Risque de blessures graves, voire mortelles. Les téléviseurs peuvent être particulièrement lourds. De plus, le poids et l'emplacement du tube image ont tendance à rendre les téléviseurs instables et enclins à tomber vers l'avant. | <ul style="list-style-type: none"> Ce produit n'est pas destiné à supporter un téléviseur. |

⚠ ADVERTENCIA

Por favor use el mobiliario correcta y seguramente. El mal uso puede causar riesgos de seguridad o daño a las unidades o artículos domésticos. **Cuidadosamente lea la tabla a continuación.**

| Esté alerta de: | Puede ocurrir: | Evitar el problema: |
|--|---|--|
| <ul style="list-style-type: none">• Estantes o cajones sobrecargados.• Cargar el producto de manera inadecuada puede causar la inestabilidad. | <ul style="list-style-type: none">• Riesgo de lesiones.• El mobiliario inestable puede volcarse.• Estantes y cajones sobrecargados pueden romperse. | <ul style="list-style-type: none">• Nunca exceder los límites de peso indicados en las instrucciones.• Cargue los estantes y cajones a partir de la base y trabaje hacia arriba. Coloque los artículos más pesados sobre los estantes inferiores o en los cajones inferiores. |
| <ul style="list-style-type: none">• Mover incorrectamente el mobiliario que no está diseñado y provisto con ruedecitas. | <ul style="list-style-type: none">• La inclinación o rotura del mobiliario es posible si se mueve de manera inadecuada.• Lesión física. El mobiliario puede ser muy pesado.• Rotura de las superficies especialmente las unidades con dos pedestales (con cajones en cada extremo). | <ul style="list-style-type: none">• Descargue los estantes y cajones desde arriba hacia abajo antes de mover la unidad.• No empuje la unidad, especialmente sobre un piso alfombrado. Pide la ayuda de otra persona para levantar la unidad y colocarla en lugar.• Soporte la sección central del panel superior cuando levanta el mueble. |
| <ul style="list-style-type: none">• Es peligroso colocar los televisores sobre unidades de mobiliario que no están diseñadas para soportar un televisor. | <ul style="list-style-type: none">• Riesgo de lesiones o muerte. Los televisores pueden ser muy pesados. Además, el peso y la ubicación del tubo de imagen tienden a causar la inestabilidad de televisores y propensa a volcarse hacia adelante. | <ul style="list-style-type: none">• Este producto no está diseñado para soportar un televisor. |

5-YEAR LIMITED WARRANTY

1. Sauder Woodworking Co. (Sauder®) provides limited warranty coverage to the original purchaser of this product for a period of five years from the date of purchase against defects in materials or workmanship of Sauder furniture components. As used in this Warranty, "defect" means imperfections in components which substantially impair the utility of the product. This Warranty gives you specific legal rights, and you may also have other rights which vary from state to state.

2. There is no warranty coverage for defects or conditions that result from the failure to follow product assembly instructions, information or warnings, misuse or abuse, intentional damage, fire, flood, alteration or modification of the product, or use of the product in a manner inconsistent with its intended use, nor any condition resulting from incorrect or inadequate maintenance, cleaning, or care. There is also no warranty coverage for rented products or any products purchased "used" or "as is", at a distress or going-out-of business sale, or from a liquidator.

3. As the exclusive remedy under this Warranty, Sauder will (at its sole option) repair, replace or refund the value of any defective furniture component. Sauder may require independent confirmation of the claimed defect and proof of purchase. Replacement parts will be warranted for only the remaining period of the original Warranty. SAUDER SHALL HAVE NO LIABILITY FOR ANY INCIDENTAL OR CONSEQUENTIAL DAMAGES OF ANY KIND and all such damages are EXCLUDED FROM THIS WARRANTY, such as loss of use, disassembly, transportation, labor or damage to property on or near the product. Some states do not allow the exclusion or limitation of incidental or consequential damages, so the above limitation or exclusion may not apply to you.

GARANTIE LIMITÉE DE 5 ANS

1. Sauder Woodworking Co. (Sauder®) offre une couverture de garantie limitée à l'acheteur initial du présent produit pendant une période de cinq ans à compter de la date d'achat contre tout défaut de matériaux ou de fabrication des composantes de mobilier Sauder. Le mot « défaut », tel qu'il est utilisé sous les termes de la présente garantie, comprend les imperfections des pièces qui empêchent substantiellement l'utilisation du produit. La présente garantie vous donne des droits légaux spécifiques et il est possible que vous ayez des droits supplémentaires variant d'État en État ou de province en province.

2. La présente garantie ne saurait couvrir les défauts ou conditions qui surviendraient à la suite du non respect des instructions, informations ou mises en garde de montage, d'une mauvaise utilisation ou d'un abus, d'un dommage intentionnel, d'un incendie, d'une inondation, d'une altération ou modification du produit, d'une utilisation du produit allant à l'encontre de son usage prévu, ni aucune condition résultant d'une maintenance, d'un nettoyage ou d'un entretien inappropriés ou inadéquats. De plus, il n'existe aucune garantie pour les produits loués ou tous les produits achetés « d'occasion » ou « en l'état », dans le cadre d'une vente aux enchères ou de solde pour cessation de commerce, ou auprès d'un liquidateur.

3. En tant que recours exclusif en vertu de la présente garantie, Sauder réparera, remplacera ou remboursera (sur sa seule décision) la valeur de toute composante de mobilier défectueuse. Sauder peut exiger une confirmation indépendante du défaut revendiqué ainsi qu'une preuve d'achat. Les pièces de rechange seront garanties uniquement pendant la période restante de la garantie originale. SAUDER NE SERA EN AUCUN CAS RESPONSABLE DE TOUT DOMMAGE ACCESSOIRE OU CONSÉCUTIF DE TOUTE SORTE et lesdits dommages sont EXCLUS DE LA PRÉSENTE GARANTIE, à savoir perte d'utilisation, démontage, transport, main d'œuvre ou dommages matériels sur ou à proximité du produit. Certains États ou provinces ne permettant pas l'exclusion ou la limite aux responsabilités pour dommages accidentels ou consécutifs, la limite ou l'exclusion ci-dessus peut ne pas être applicable.

GARANTÍA LIMITADA DE 5 AÑOS

1. Sauder Woodworking Co. (Sauder®) provee cobertura de garantía limitada al comprador original de este producto por un período de cinco años, a partir de la fecha de compra, contra defectos en los materiales o de mano de obra en los componentes de muebles Sauder. Como es utilizado en esta Garantía, "defecto" significa imperfecciones en los componentes que de manera fundamental afecta la utilidad del producto. Esta Garantía le permite a usted ciertos derechos legales, y usted también podría poseer otros derechos adicionales, los cuales varían de estado a estado.

2. No hay cobertura de garantía para defectos o estados que resulten del incumplimiento en seguir las instrucciones, la información o las advertencias sobre el ensamblaje del producto; del uso incorrecto o maltrato, del daño intencional, incendio, inundación, cambio o modificación del producto; o de la utilización del producto de manera contradictoria con el uso para el cual fue fabricado, ni por ningún estado que resulte del mantenimiento, limpieza o cuidado incorrecto o inadecuado. Tampoco no hay cobertura de garantía para los productos rentados o para cualesquiera productos comprados "de uso" o "como está", en una venta de bienes embargados o en una venta por salirse del negocio, o comprados a un liquidador.

3. Como un recurso exclusivo bajo esta Garantía, Sauder (sólo a su opción) reparará, reemplazará o reembolsará el valor de cualquier componente defectuoso de mueble. Sauder puede requerir una confirmación independiente de un defecto reclamado y una prueba de compra. Las piezas de repuesto serán garantizadas solamente por el período de tiempo que queda de la Garantía original. SAUDER NO TENDRÁ RESPONSABILIDAD POR NINGÚN DAÑO INCIDENTAL O CONSUCUENTE DE NINGÚN TIPO y todos dichos daños SE EXCLUYEN DE ESTA GARANTÍA, tales como pérdida de uso, desensamblaje, transportación, trabajo o daño a la propiedad en o cerca del producto. Algunos estados no permiten la exclusión o limitación de daños incidentales o consecuentes, en tales instancias la limitación o exclusión antes mencionada podría no ser aplicable a usted.

4. This Warranty applies only to warranted defects that first arise and are reported to Sauder within the warranty coverage period. The Warranty cannot be transferred to subsequent owners or users of the product, and it shall be immediately void in the event the product is resold, transferred, leased or rented to any third party or person other than the original purchaser.

5. THERE ARE NO OTHER WARRANTIES APPLICABLE TO THIS PRODUCT. Under the laws of certain states, there may be no implied warranties from Sauder and all implied warranties, INCLUDING ANY IMPLIED WARRANTY OF MERCHANTABILITY OR FITNESS FOR A PARTICULAR PURPOSE are disclaimed where allowed by law. TO THE EXTENT ANY IMPLIED WARRANTIES ARE APPLICABLE, ANY IMPLIED WARRANTIES, INCLUDING ANY IMPLIED WARRANTY OF MERCHANTABILITY OR FITNESS FOR A PARTICULAR PURPOSE, ARE LIMITED IN DURATION TO THE DURATION OF THIS EXPRESS WARRANTY or the minimum period allowed by law, whichever is shorter. Some states do not allow limitations on how long an implied Warranty lasts, so the above limitation may not apply to you.

6. For Warranty inquiries or claims, please visit our website www.sauder.com. You can also contact Sauder at 1.800.523.3987. Sauder may require Warranty claims to be submitted in writing to: Sauder Woodworking Co., 502 Middle Street, Archbold, OH 43502 USA. Please include your sales receipt or other proof of purchase and a specific description of the product defect.

4. La présente garantie ne s'applique qu'aux défauts garantis qui se produisent pour la première fois et qui sont signalés à Sauder dans les limites de couverture de la garantie. La garantie ne peut pas être transférée à des propriétaires ou utilisateurs subséquents du produit, et sera immédiatement invalidée dans le cas où le produit est revendu, transféré, loué sous bail ou loué à une tierce partie ou personne autre que l'acheteur original.

5. IL N'EXISTE AUCUNE AUTRE GARANTIE EN VIGUEUR POUR LE PRÉSENT PRODUIT. En vertu des lois de certains États ou provinces, il ne peut y avoir de garanties implicites de la part de Sauder et toutes les garanties implicites, Y COMPRIS TOUTE GARANTIE IMPLICITE DE COMMERCIALITÉ OU D'ADAPTATION À UN USAGE PARTICULIER sont déclinées partout où la loi l'autorise. DANS LA MESURE OÙ TOUTE GARANTIE IMPLICITE EST APPLICABLE, TOUTE GARANTIE IMPLICITE, Y COMPRIS TOUTE GARANTIE DE COMMERCIALITÉ OU D'ADAPTATION À UN USAGE PARTICULIER, EST LIMITÉE À LA DURÉE DE LA PRÉSENTE GARANTIE EXPRESSE ou à la période minimum autorisée par la loi, la période la plus courte étant retenue. Certains États ne permettant pas que des limites soient imposées quant à la durée d'une garantie implicite, la limite ci-dessus peut donc ne pas être applicable.

6. Pour toute question concernant la garantie ou toute demande de réclamation, consulter le site Web www.sauder.com. Il est également possible de contacter Sauder en composant le 1.800.523.3987. Sauder peut exiger de soumettre les demandes de réclamation sous garantie par écrit à : Sauder Woodworking Co., 502 Middle Street, Archbold, OH 43502 USA. Veuillez joindre votre ticket de caisse ou toute autre preuve d'achat ainsi qu'une description spécifique du défaut de produit.

4. Esta Garantía sólo es aplicable a defectos garantizados que primeramente surjan y se informen a Sauder dentro del período de cobertura de garantía. La Garantía no puede ser transferida a propietarios o usuarios subsiguientes del producto, y ésta será inmediatamente invalidada en el caso que el producto sea revendido, transferido, arrendado o rentado a cualquier tercero u otra persona que no sea el comprador original.

5. NO HAY OTRA GARANTÍA APLICABLE A ESTE PRODUCTO. Bajo las leyes de ciertos estados, pueden no haber garantías implícitas de Sauder y se hace renuncia de responsabilidad de todas las garantías implícitas donde lo permita la ley, INCLUYENDO CUALQUIER GARANTÍA IMPLICITA DE MERCHANTABILITY O DE APTITUD PARA UN PROPÓSITO EN PARTICULAR. EN LA MEDIDA CUALQUIER GARANTÍA IMPLICITA ES APLICABLE, CUALESQUIERA GARANTÍAS IMPLICITAS, INCLUYENDO AQUELLA DE MERCHANTABILITY O DE APTITUD PARA UN PROPÓSITO EN PARTICULAR, SE LIMITAN EN DURACIÓN HASTA LA DURACIÓN DE ESTA GARANTÍA IMPLICITA o hasta el periodo mínimo permitido por la ley, la que sea más corta. Algunos estados no permiten limitaciones en cuanto a la duración de una garantía implícita, por eso la limitación arriba citada pueda no ser aplicable a usted.

6. Para solicitud de información o reclamación de Garantía, por favor, visite nuestro sitio Web www.sauder.com. Usted también puede contactar a Sauder llamando al 1.800.523.3987. Sauder puede solicitar que las reclamaciones sean presentadas por escrito a: Sauder Woodworking Co., 502 Middle Street, Archbold, OH 43502 USA. Por favor incluya su recibo de venta u otra prueba de compra y una descripción detallada del defecto del producto.

CONTACT US FIRST BEFORE MAKING ANY RETURNS TO THE RETAILER.

Dear Valued Customer:

Thanks so much for choosing Sauder® furniture. I hope the purchase and assembly process was a positive experience and you feel good about the furniture you just built.

My grandfather, Erie Sauder, founded the company in 1934 and later invented and patented the first commercially successful ready-to-assemble tables. We strive to hold true to his core values of innovation, integrity, servanthood and stewardship.

Sauder products are made with environmentally responsible materials and world-class manufacturing processes. Our 2,000+ dedicated employees in Archbold, Ohio, along with our global manufacturing partners, are committed to providing you furniture with great value, style and quality.

From our family to you. Enjoy!



Kevin J. Sauder
President/CEO

So, how did it go?

Set a world record for speed?
Feeling good about yourself?
Nice. Get social with it on any of these quality share sites.



If you need assistance or want to learn more, please contact our award-winning, Ohio-based customer service team at **800-523-3987** Monday-Friday - 9 a.m. to 5:30 p.m. EST (except holidays) or at sauder.com/service.

And don't forget to rate and review your piece at Sauder.com in the product detail page.



Register your new product online

For immediate service, our website is available 24 hours per day, 7 days per week, to order replacement parts, access assembly tips, register your product and view Sauder products. www.sauder.com/service

General Conformity Certificate

1. This certificate applies to the Sauder Woodworking Product identified by this Instruction Book.
2. This certificate applies to compliance of this product with the CPSC Ban on Lead-Containing Paint (16 CFR 1303).
3. This product is manufactured by:
Sauder Woodworking Company
502 Middle St.
Archbold, OH 43502
419-446-2711
4. Date of Manufacture: _____

