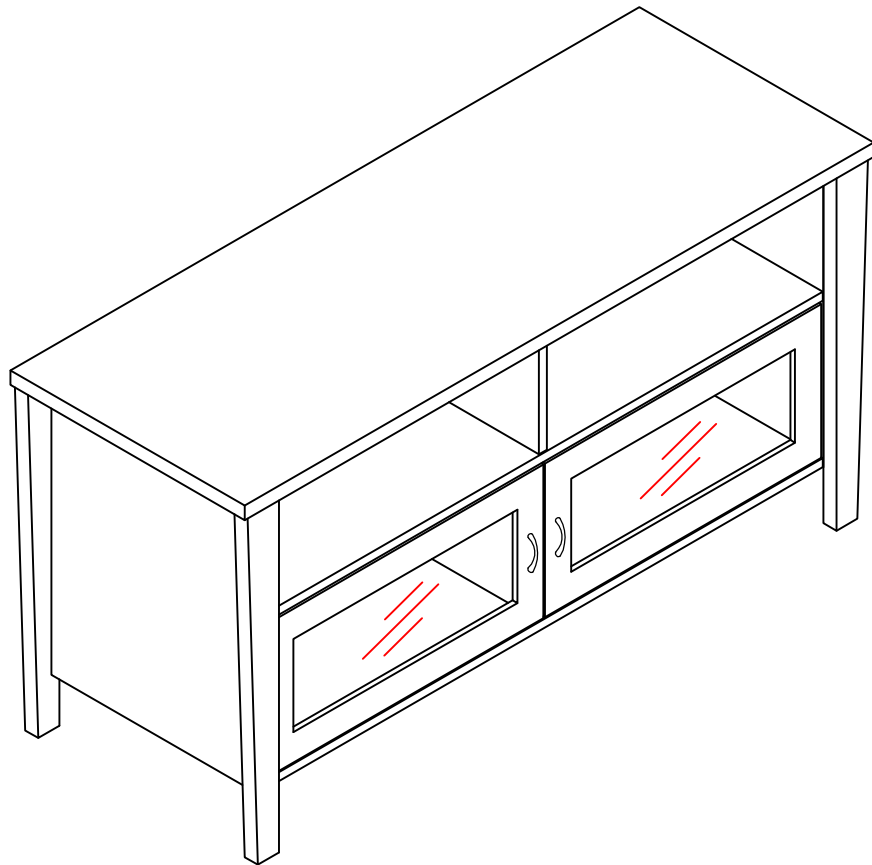


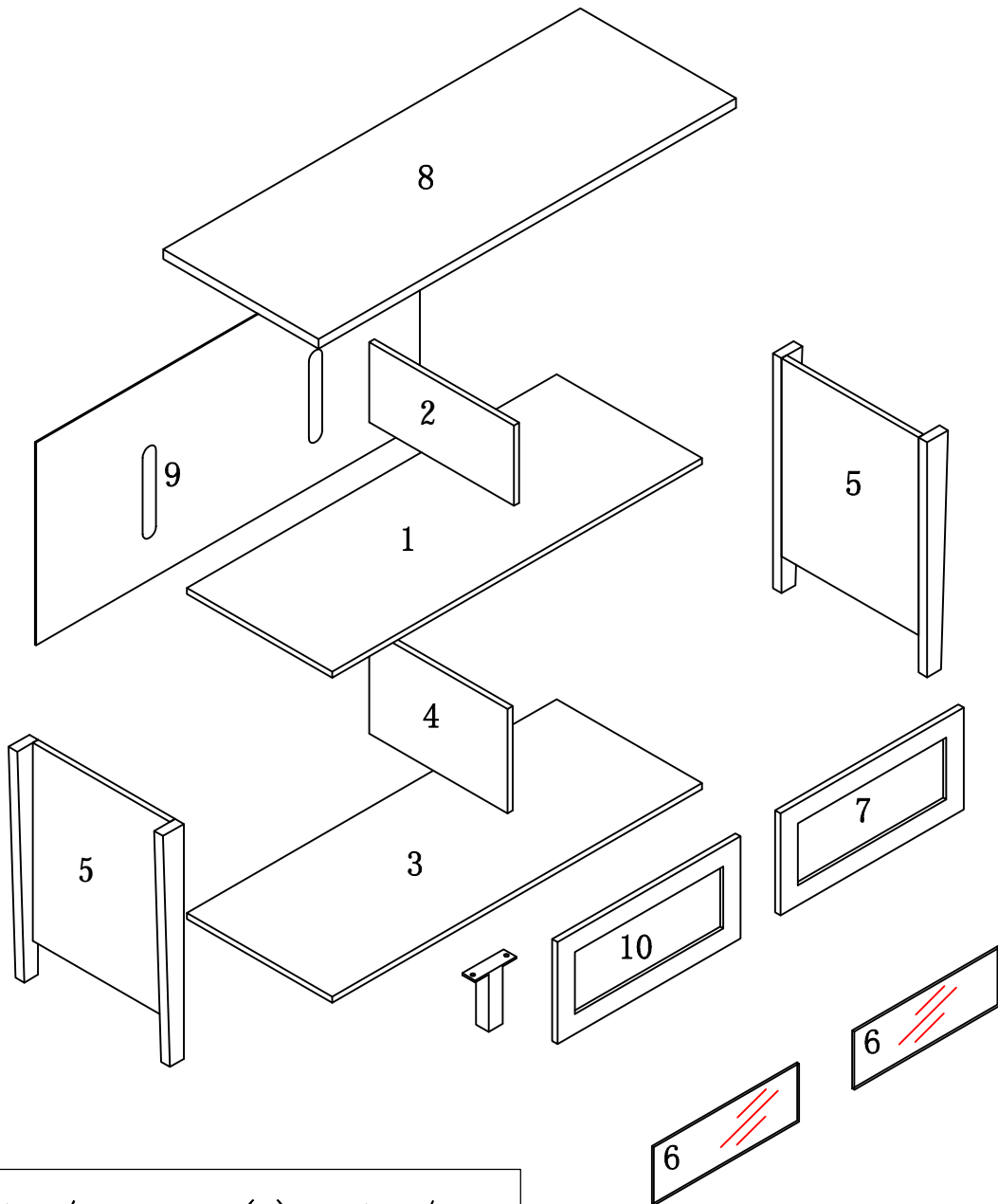
ASSEMBLY INSTRUCTIONS /
INSTRUCTIONS D'ASSEMBLAGE

ITEM NO/NO ARTICLE: 29261



PARTS IDENTIFICATIONS / IDENTIFICATION DES PIECES




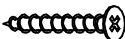
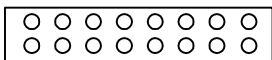
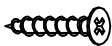



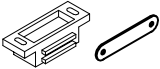








ITEM NO/NO ARTICLE: 29261



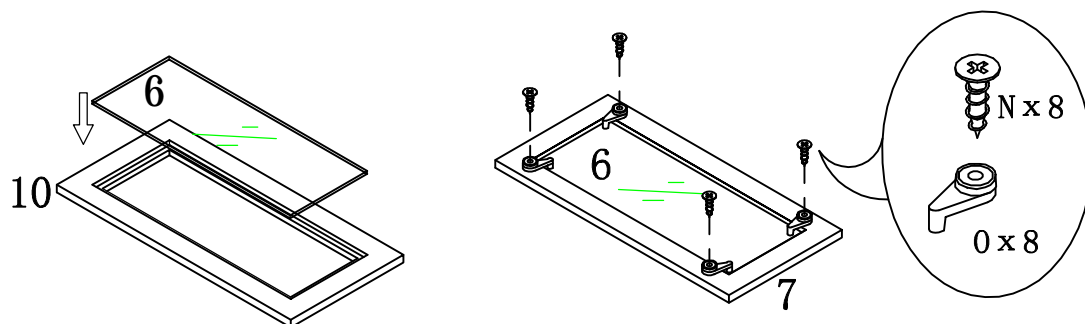
(1)	1pc/pce	(7)	1pc/pce
(2)	1pc/pce	(8)	1pc/pce
(3)	1pc/pce	(9)	1pc/pce
(4)	1pc/pce	(10)	1pc/pce
(5)	2pcs/pces		
(6)	2pcs/pces		

HARDWARE IDENTIFICATIONS/ IDENTIFICATION DU KIT D'ASSEMBLAGE

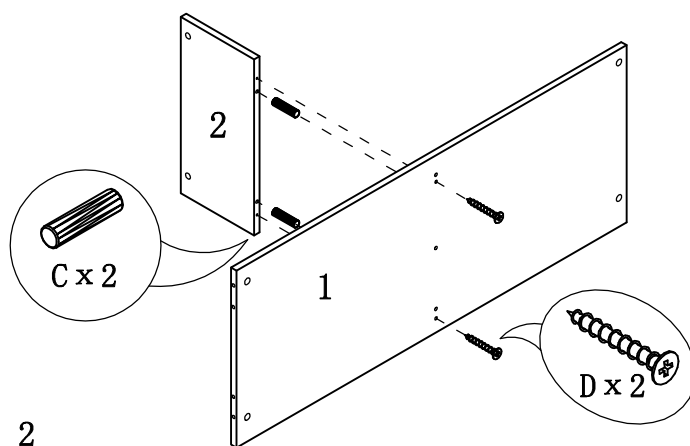
ITEM NO/NO ARTICLE: 29261

A		ø8 x 29	16pcs/pces
B		ø15	16pcs/pces
C		ø8 x 25	22pcs/pces
D		ø4 x 30	4pcs/pces
E		ø18	16pcs/pces
F		ø4 x 16	2pcs/pces
G			40pcs/pces
H		64#	2pcs/pces
I		ø4 x 20	4pcs/pces
J			2pcs/pces
K		ø3x14	4pcs/pces
L		ø3x16	4pcs/pces
M			2pcs/pces
N		ø3.5x12	8pcs/pces
O			8pcs/pces
P		ø16	4pcs/pces
Q		80 x 25 x 97	1pc/pce
R		To firmly secure the cover to the connecting hole / Pour coller la rondelle au trou de connexion	1pc/pce

ITEM NO/NO ARTICLE: 29261

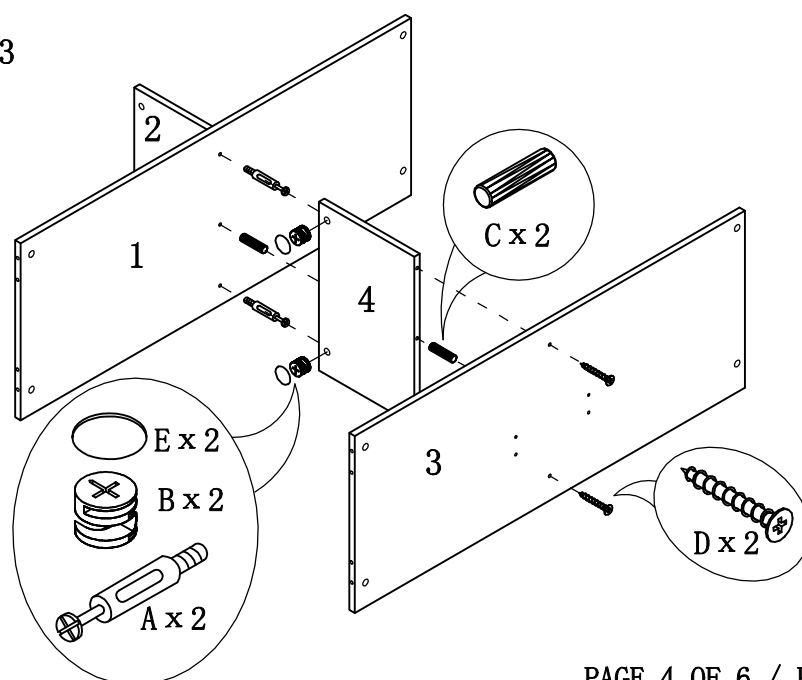


STEP 1 / ETAPE 1

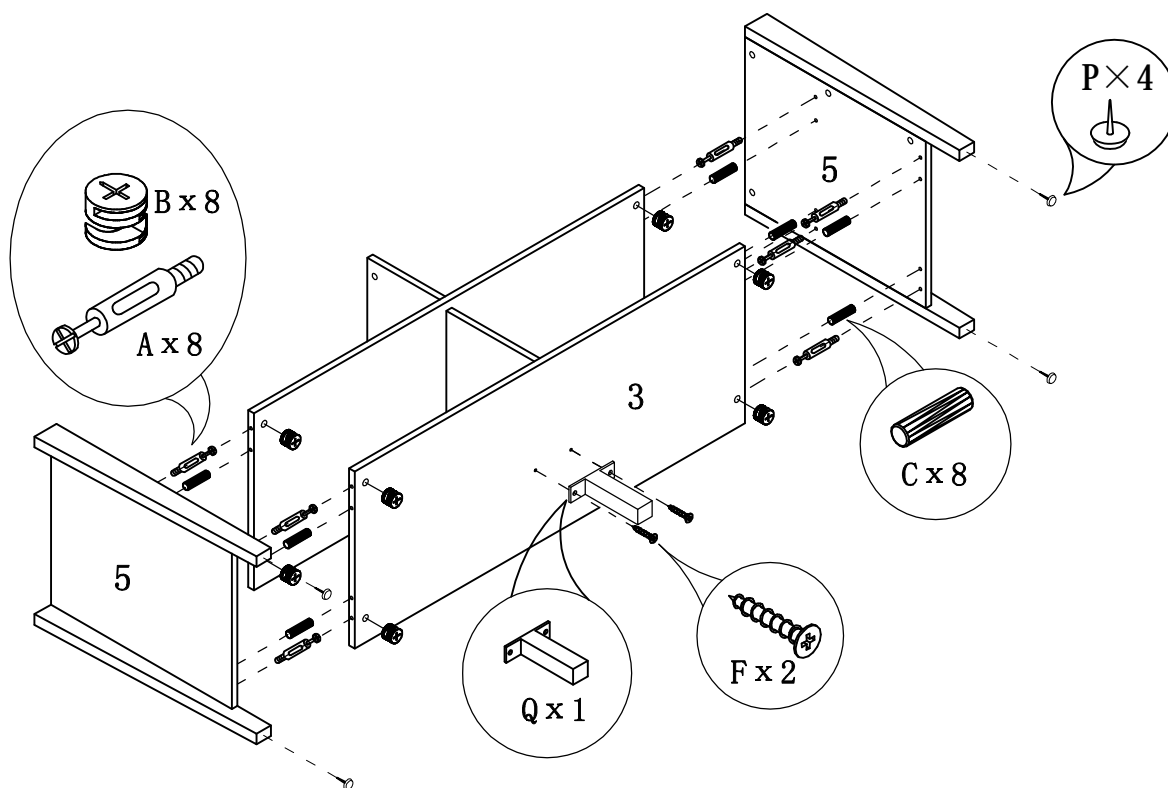


STEP 2 / ETAPE 2

STEP 3 / ETAPE 3

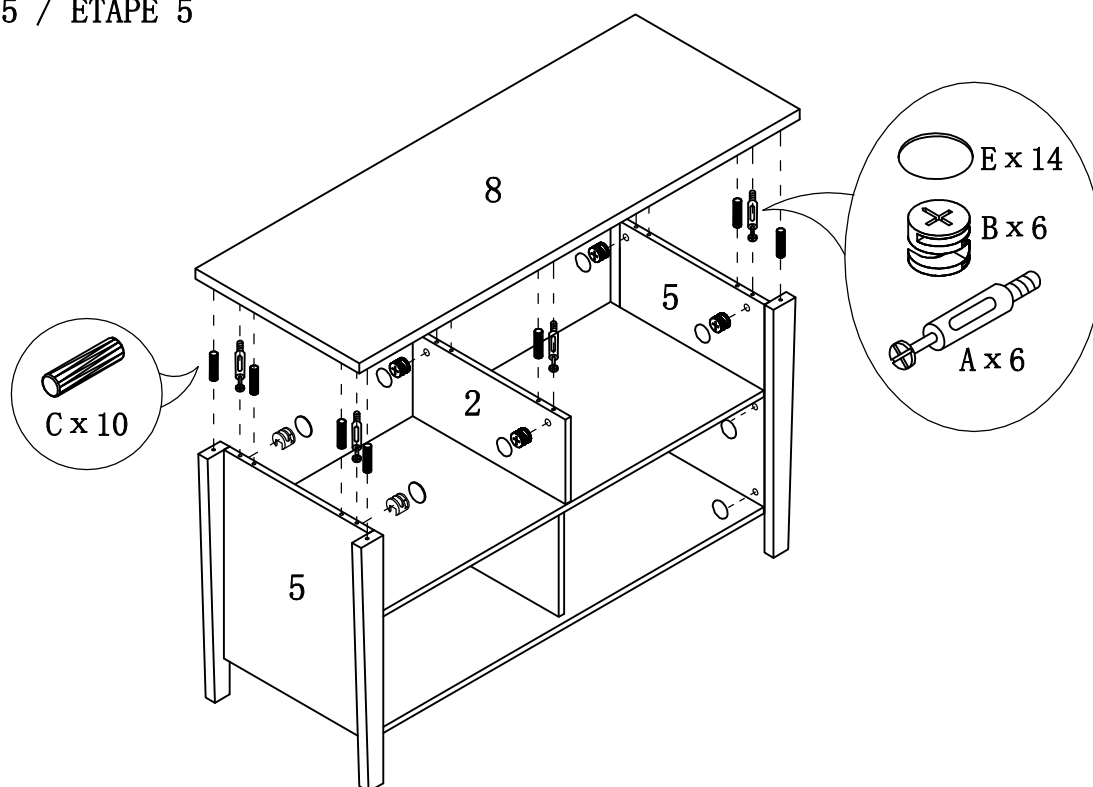


ITEM NO/NO ARTICLE: 29261

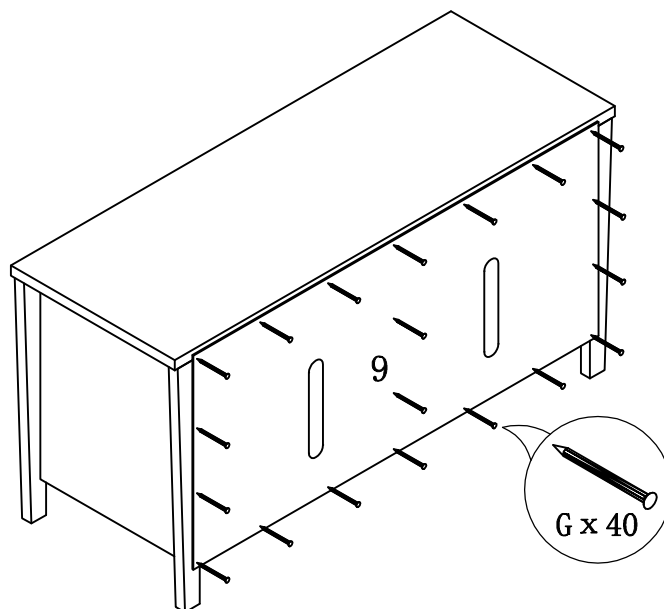


STEP 4 / ETAPE 4

STEP 5 / ETAPE 5



ITEM NO/NO ARTICLE: 29261



STEP 6 / ETAPE 6

STEP 7 / ETAPE 7

