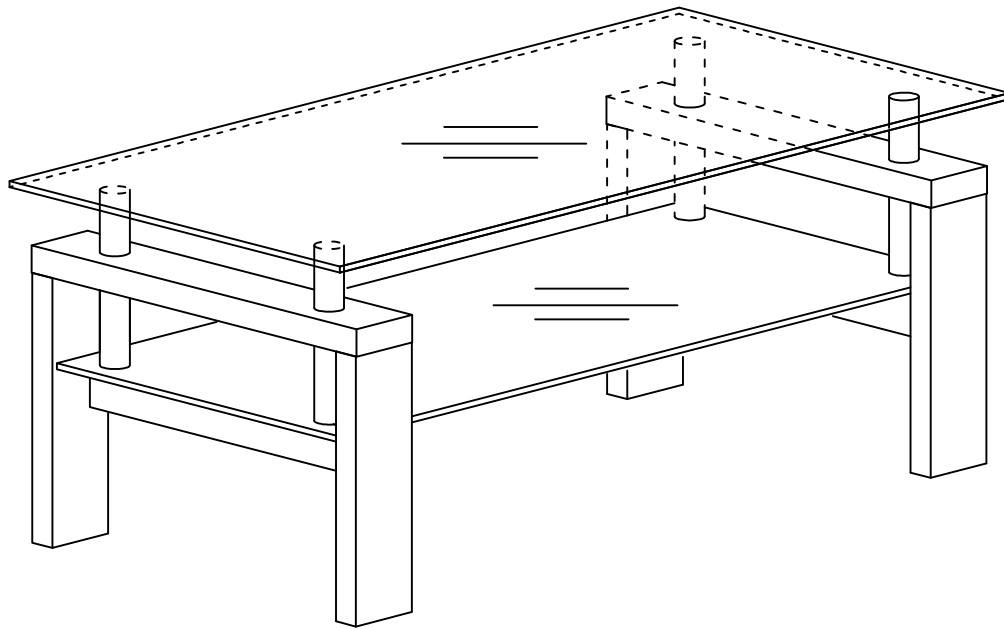


# ASSEMBLY INSTRUCTIONS / INSTRUCTIONS D'ASSEMBLAGE

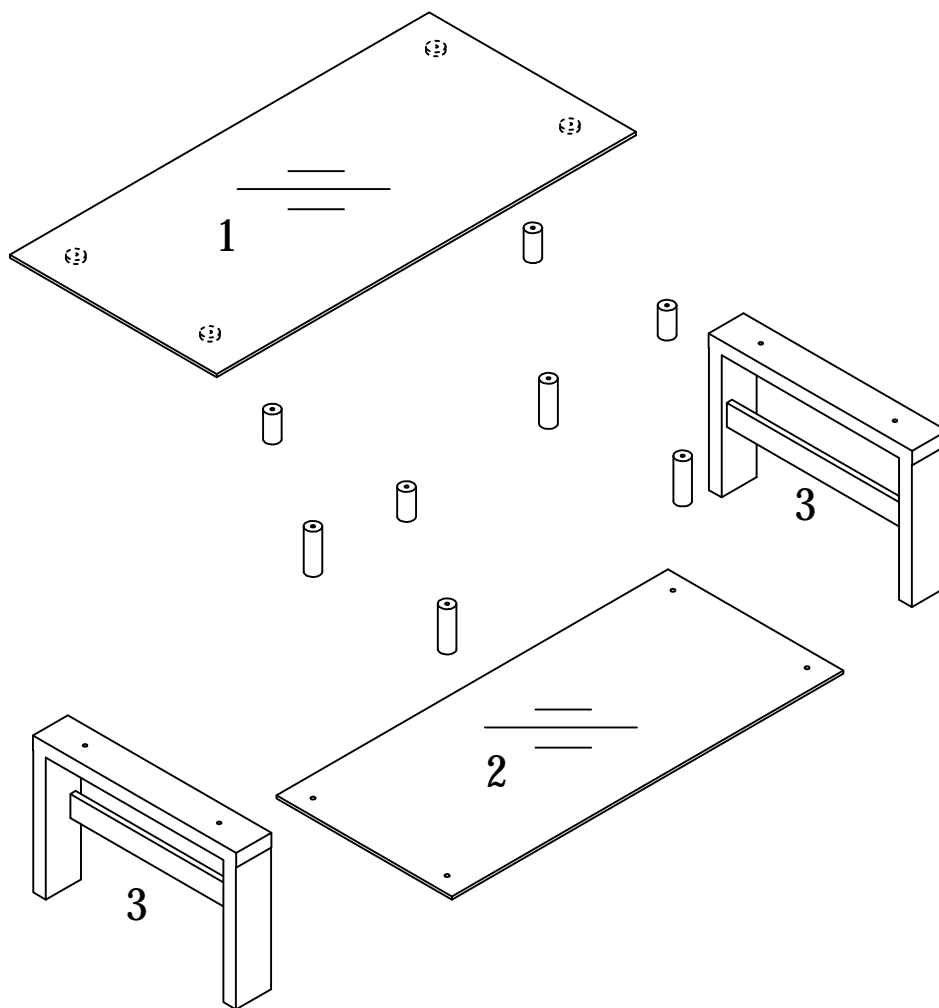
---

ITEM NO/NO ARTICLE: HARVWCTB/233200CT



# PARTS IDENTIFICATIONS / IDENTIFICATION DES PIECES







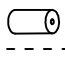


ITEM NO/NO ARTICLE: HARVWCTB/233200CT



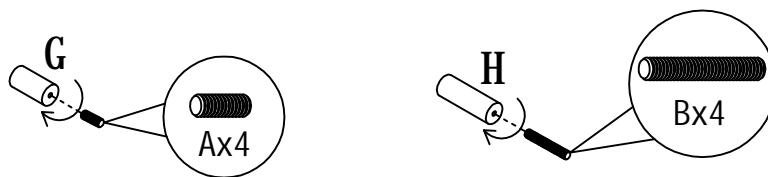
- (1) 1pc/pce
- (2) 1pc/pce
- (3) 2pcs/pces

HARDWARE IDENTIFICATIONS/  
IDENTIFICATION DU KIT D'ASSEMBLAGE

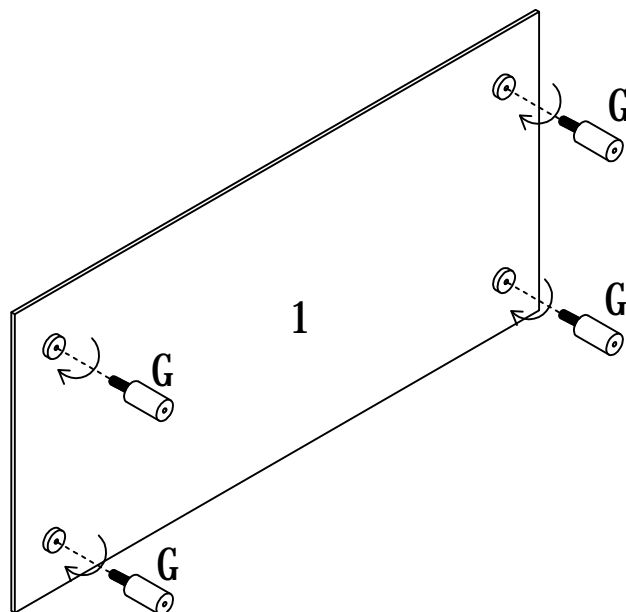
ITEM NO/NO ARTICLE: HARVWCTB/233200CT

A		$\phi 8 \times 25$	4pcs/pces
B		$\phi 8 \times 70$	4pcs/pces
C		M8 x 20	4pcs/pces
D		$\phi 8 \times \phi 16 \times 2$	4pcs/pces
E		M5	1pc/pce
F		$\phi 16$	4pcs/pces
G		$\Phi 38 \times 74$	4pcs/pces
H		$\Phi 38 \times 112$	4pcs/pces
I		$\phi 18$	4pcs/pces

# ITEM NO/NO ARTICLE: HARVWCTB/233200CT

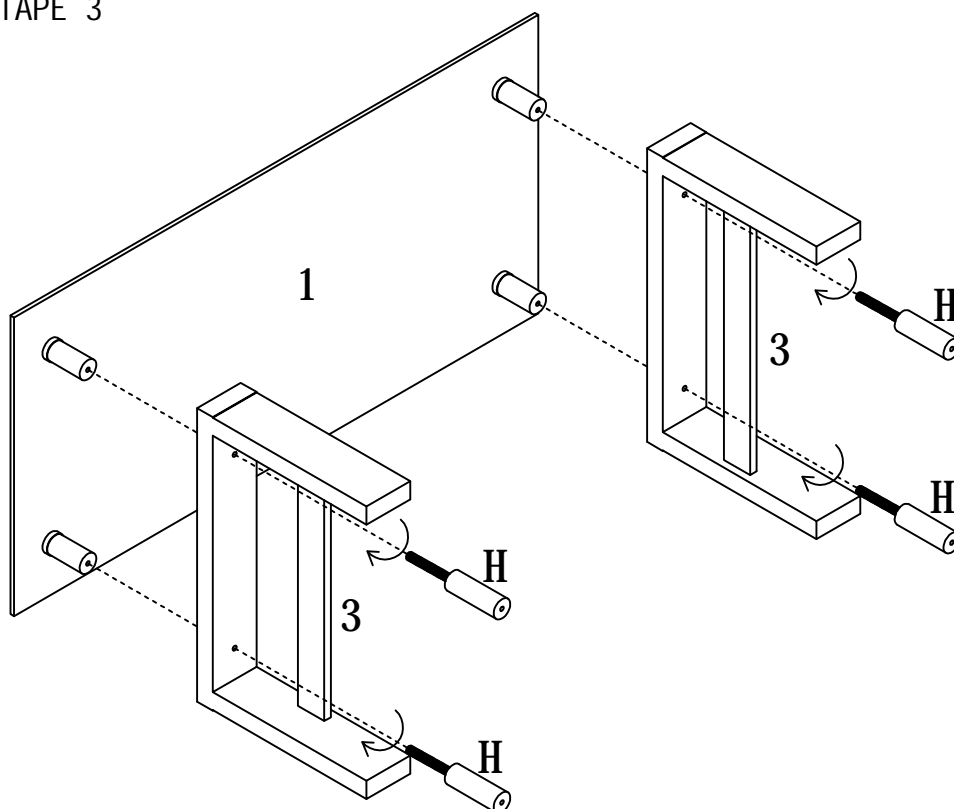


STEP 1 / ETAPE 1

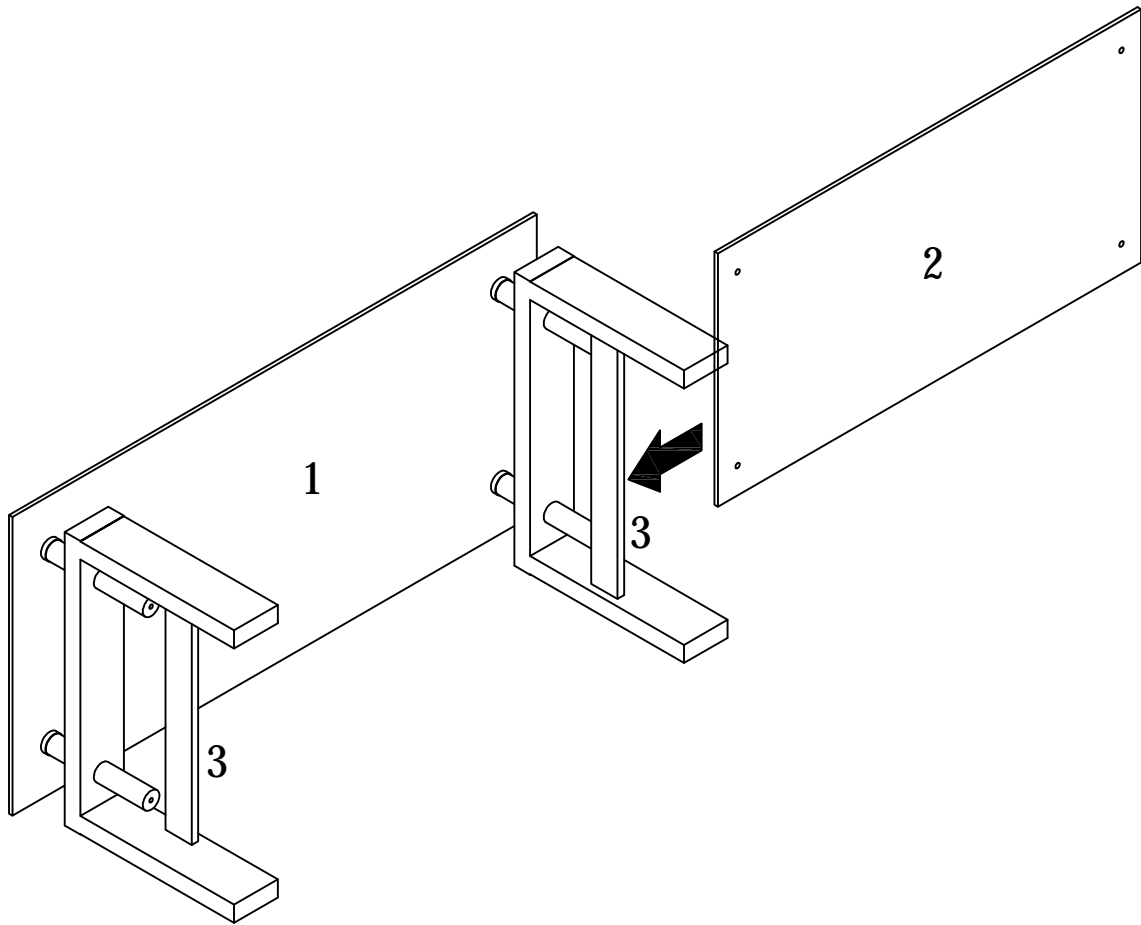


STEP 2 / ETAPE 2

STEP 3 / ETAPE 3

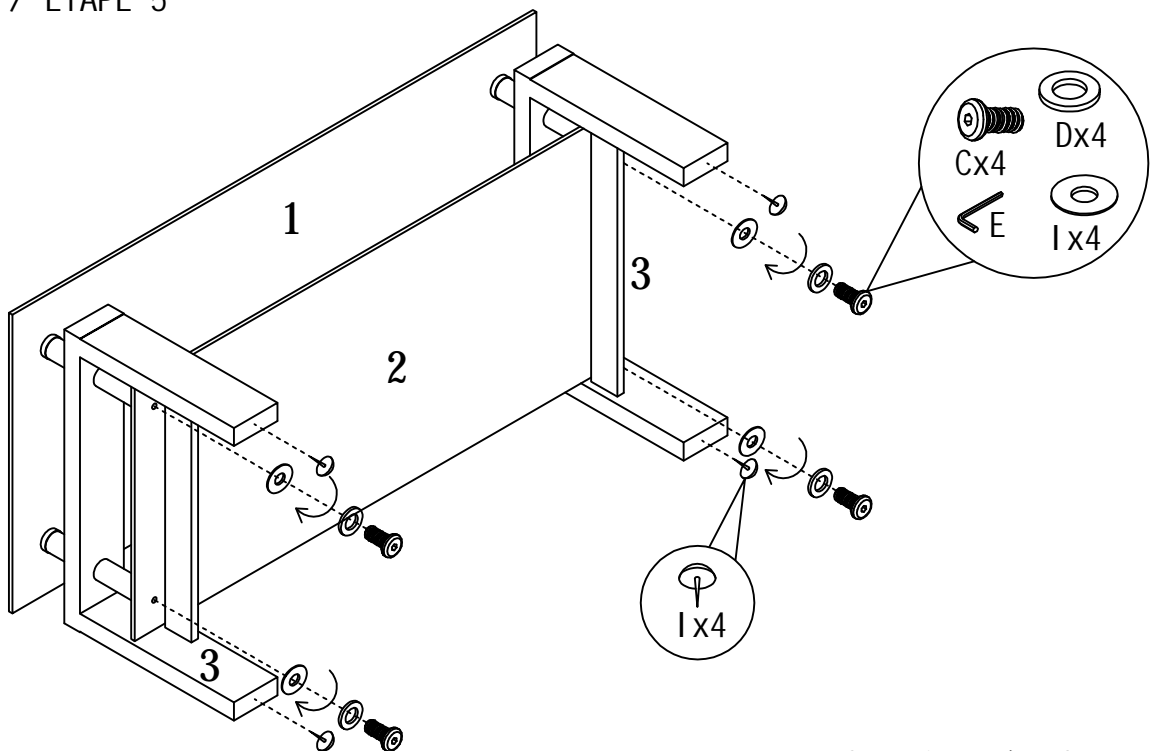


# ITEM NO/NO ARTICLE: HARVWCTB/233200CT



STEP 4 / ETAPE 4

STEP 5 / ETAPE 5



PAGE 5 OF 5 / PAGE 5 DE 5