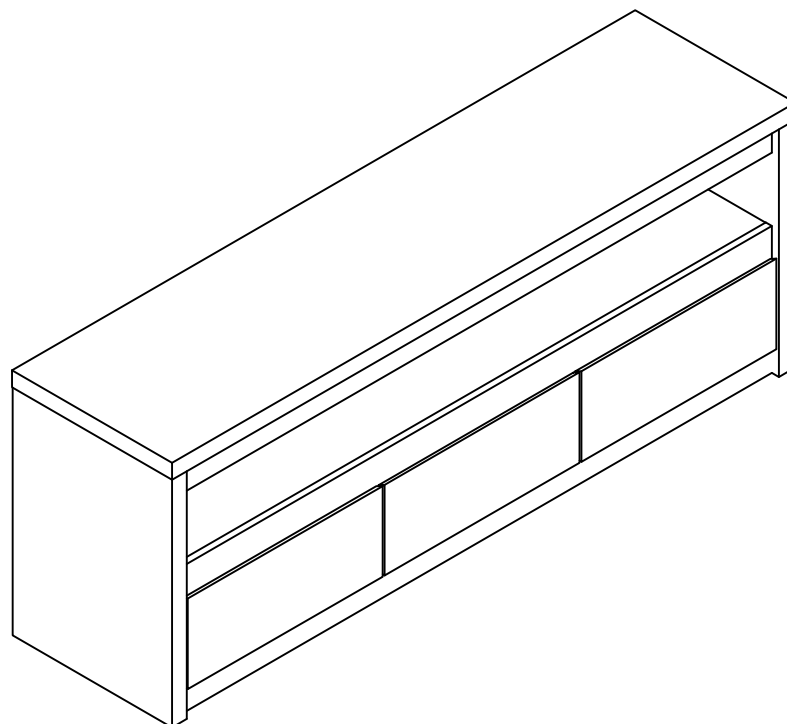


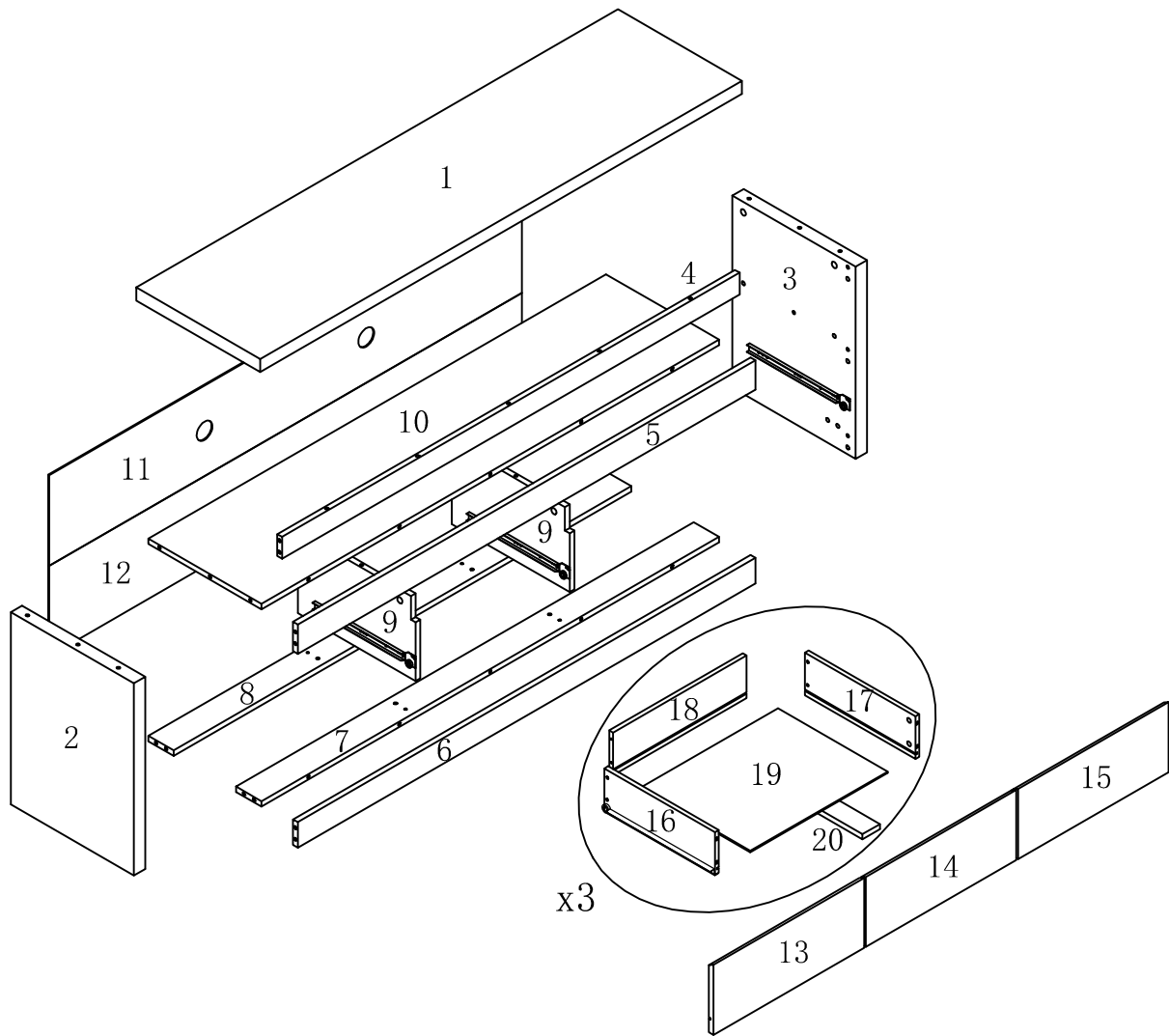
ASSEMBLY INSTRUCTIONS /
INSTRUCTIONS D'ASSEMBLAGE

ITEM NO/NO ARTICLE:WLK62TVS/223130TV



PARTS IDENTIFICATIONS / IDENTIFICATION DES PIECES

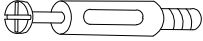

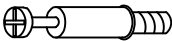


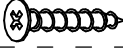
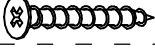
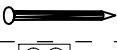
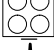


ITEM NO/NO ARTICLE:WLK62TVS/223130TV



(1)	1pc	(6)	1pc	(11)	1pc	(16)	3pcs
(2)	1pc	(7)	1pc	(12)	1pc	(17)	3pcs
(3)	1pc	(8)	1pc	(13)	1pc	(18)	3pcs
(4)	1pc	(9)	2pcs	(14)	1pc	(19)	3pcs
(5)	1pc	(10)	1pc	(15)	1pc	(20)	3pcs

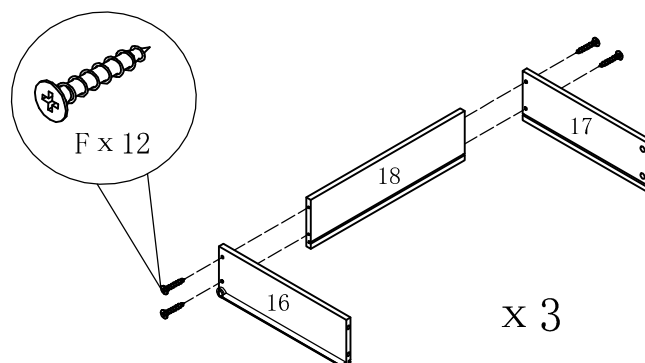
HARDWARE IDENTIFICATIONS/ IDENTIFICATION DU KIT D'ASSEMBLAGE

ITEM NO/NO ARTICLE:WLK62TVS/223130TV

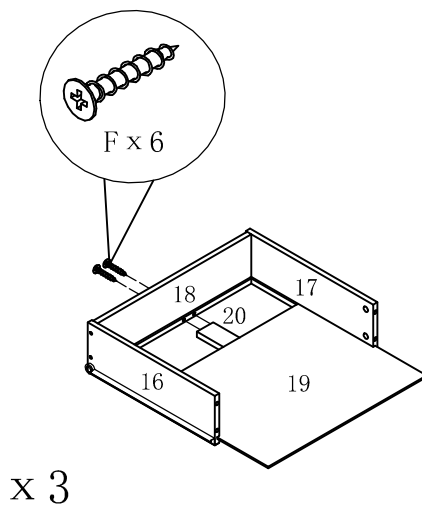
A		L29	35pcs/pces
B		∅15	35pcs/pces
C		L20	12pcs/pces
D		∅12	12pcs/pces
E		∅8x25	22pcs/pces
F		∅4x30	18pcs/pces
G		∅4x40	4pcs/pces
H			28pcs/pces
I		∅22	4pcs/pces
J		∅16	7pcs/pces
K		∅6x30	6pcs/pces

ITEM NO/NO ARTICLE:223130TV

STEP 1 / ETAPE 1

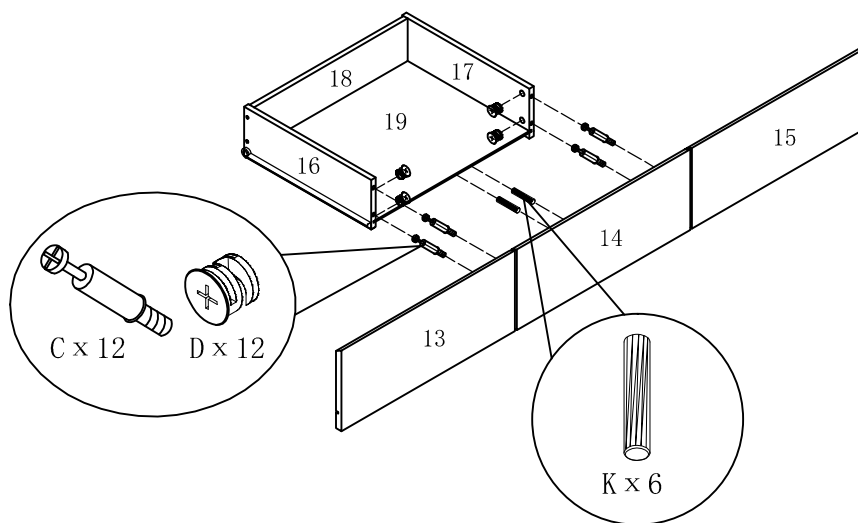


ITEM NO/NO ARTICLE:WLK62TVS/223130TV

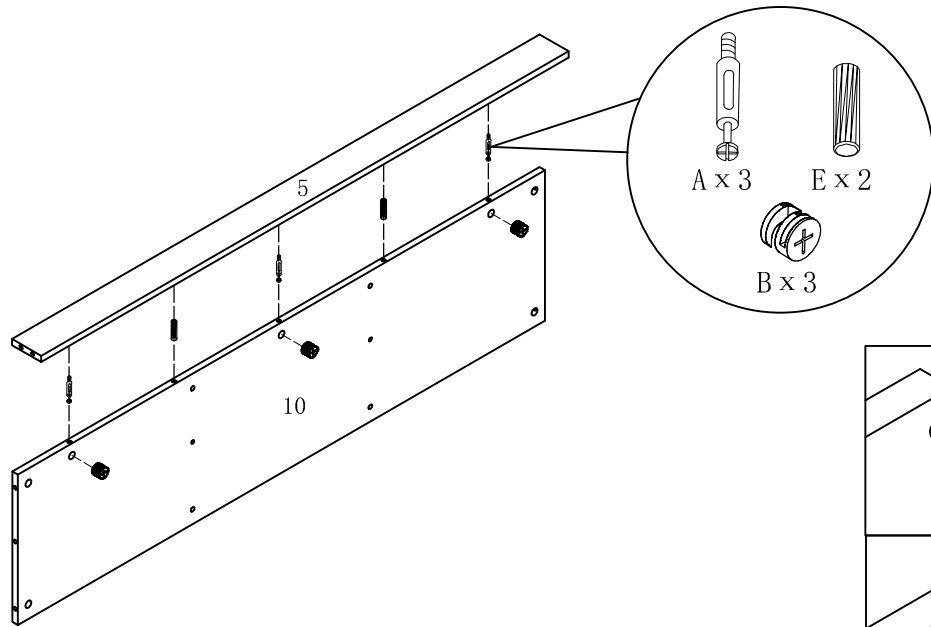


STEP 2 / ETAPE 2

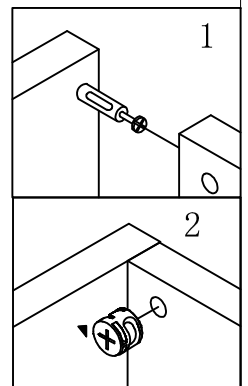
STEP 3 / ETAPE 3



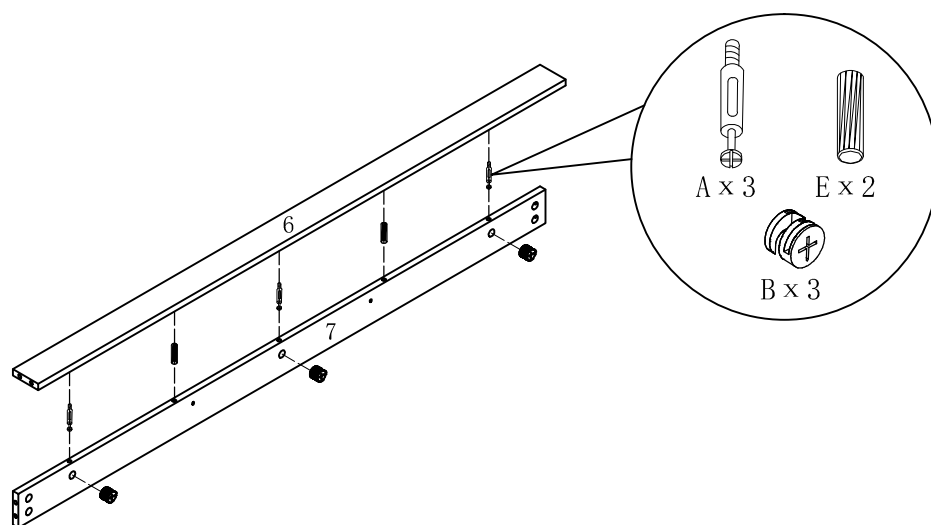
ITEM NO/NO ARTICLE:WLK62TVS/223130TV



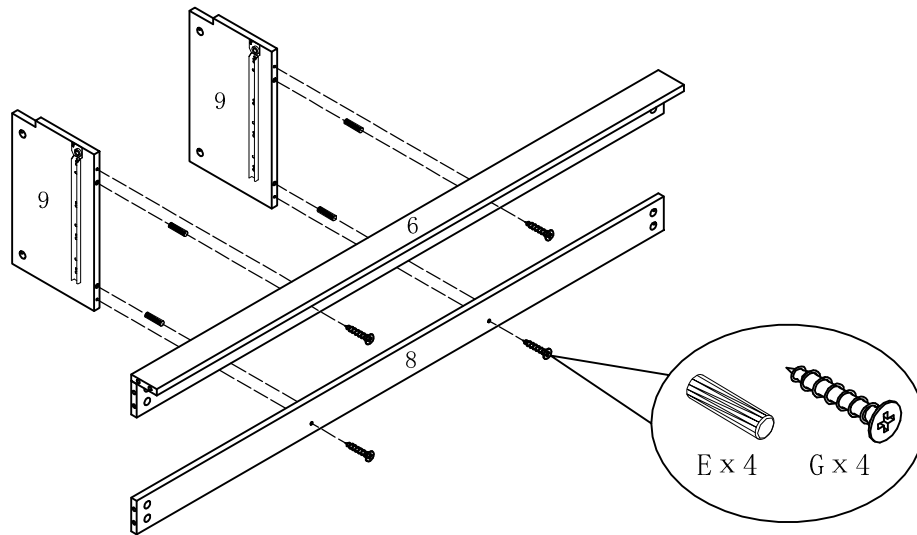
STEP 4 / ETAPE 4



STEP 5 / ETAPE 5

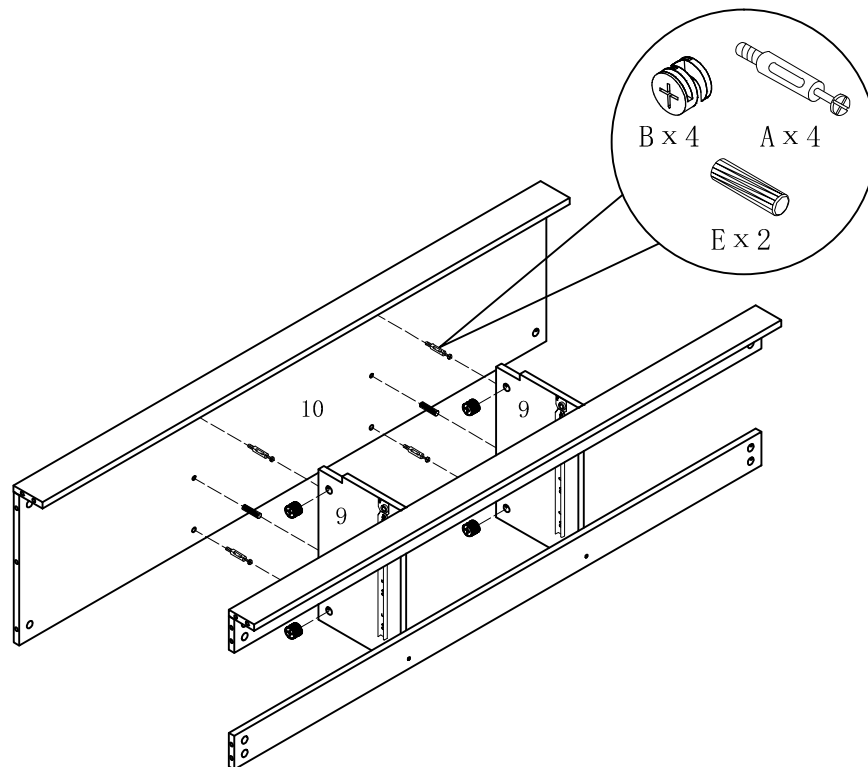


ITEM NO/NO ARTICLE:WLK62TVS/223130TV

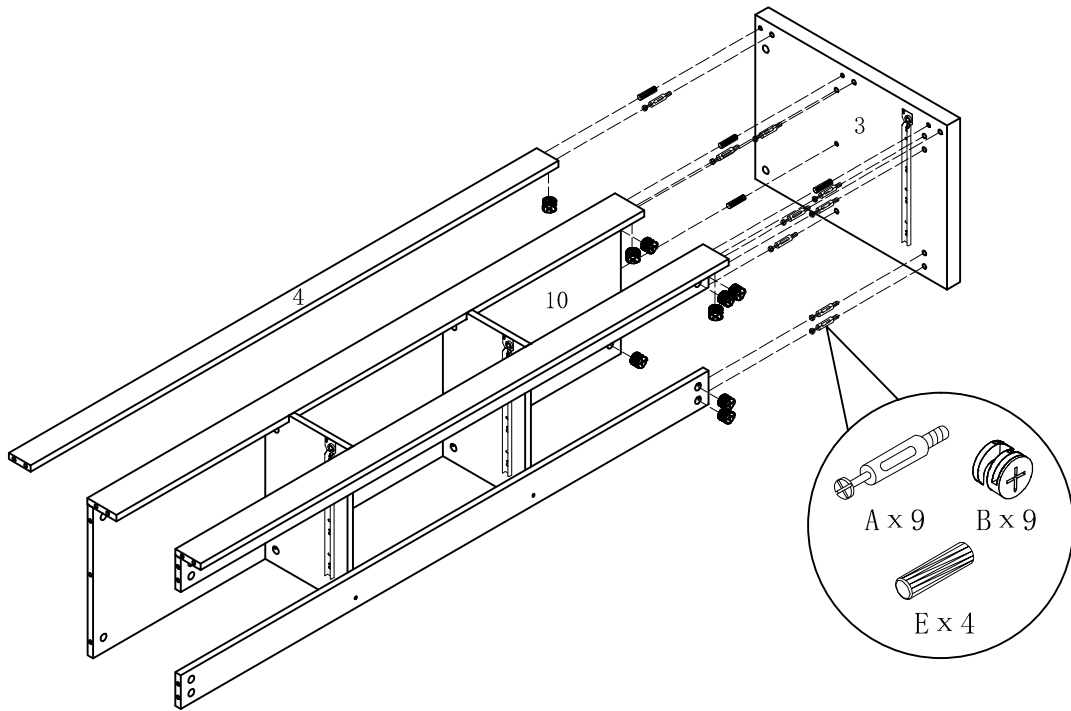


STEP 6 / ETAPE 6

STEP 7 / ETAPE 7

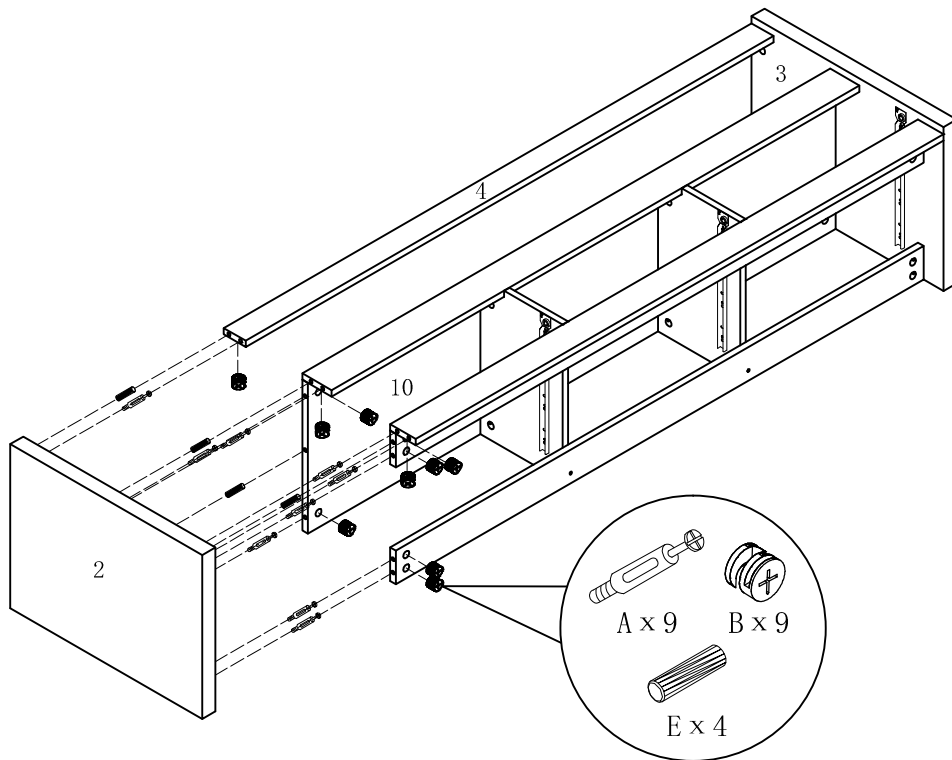


ITEM NO/NO ARTICLE:WLK62TVS/223130TV

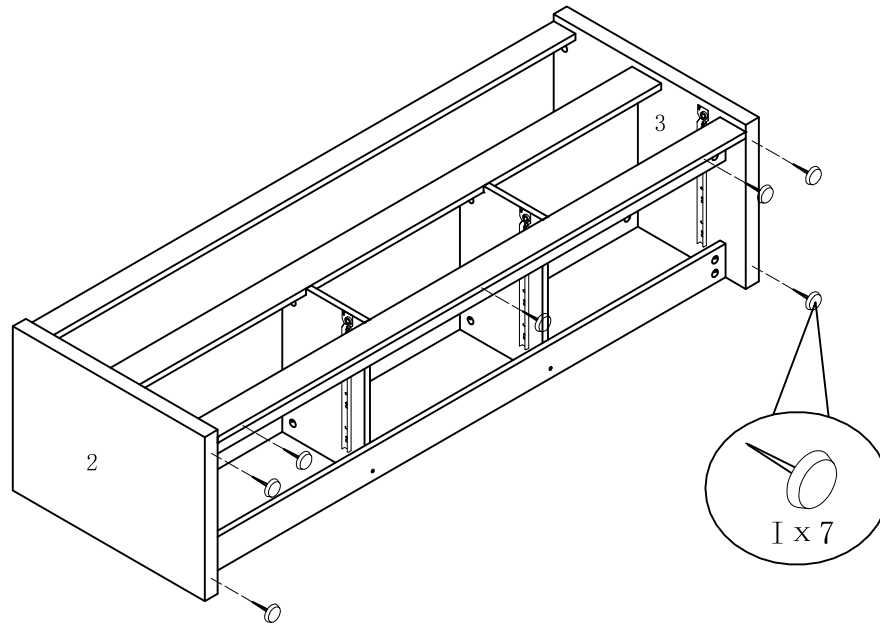


STEP 8 / ETAPE 8

STEP 9 / ETAPE 9

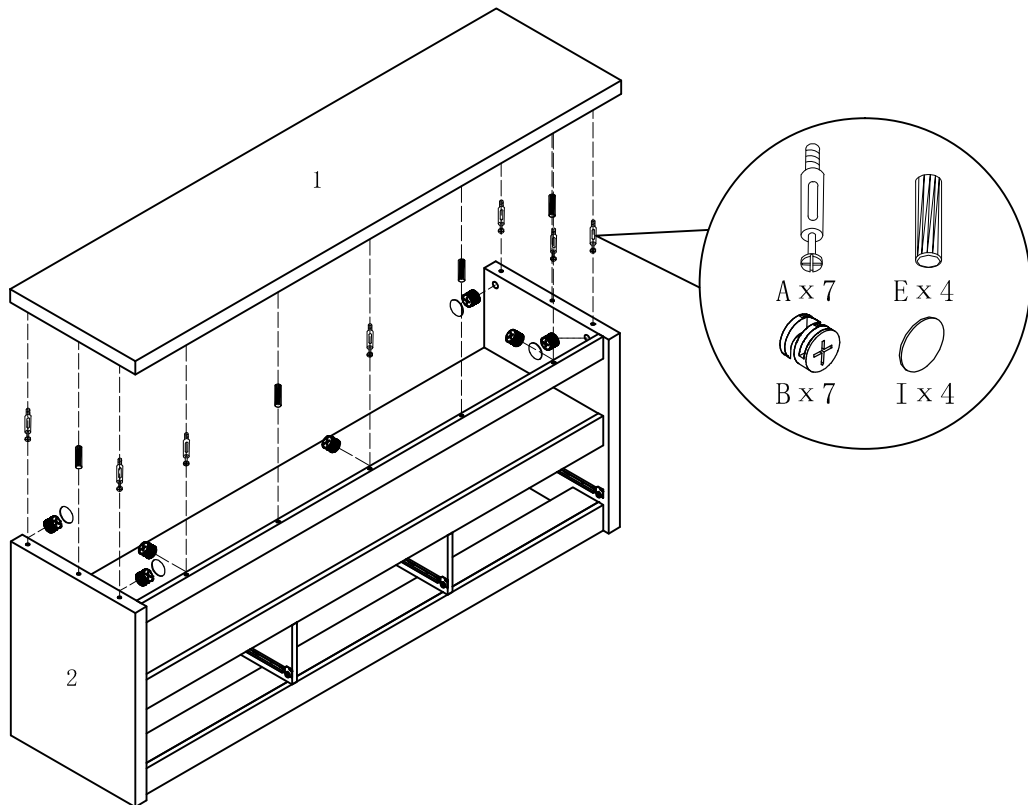


ITEM NO/NO ARTICLE:WLK62TVS/223130TV

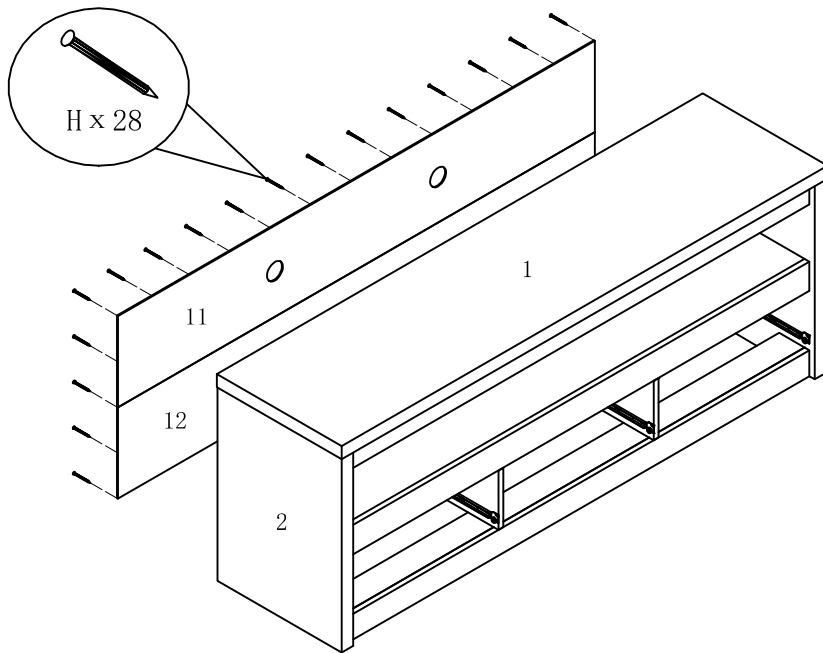


STEP 10 / ETAPE 10

STEP 11 / ETAPE 11



ITEM NO/NO ARTICLE:WLK62TVS/223130TV



STEP 12 / ETAPE 12

STEP 13 / ETAPE 13

