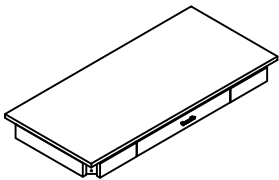
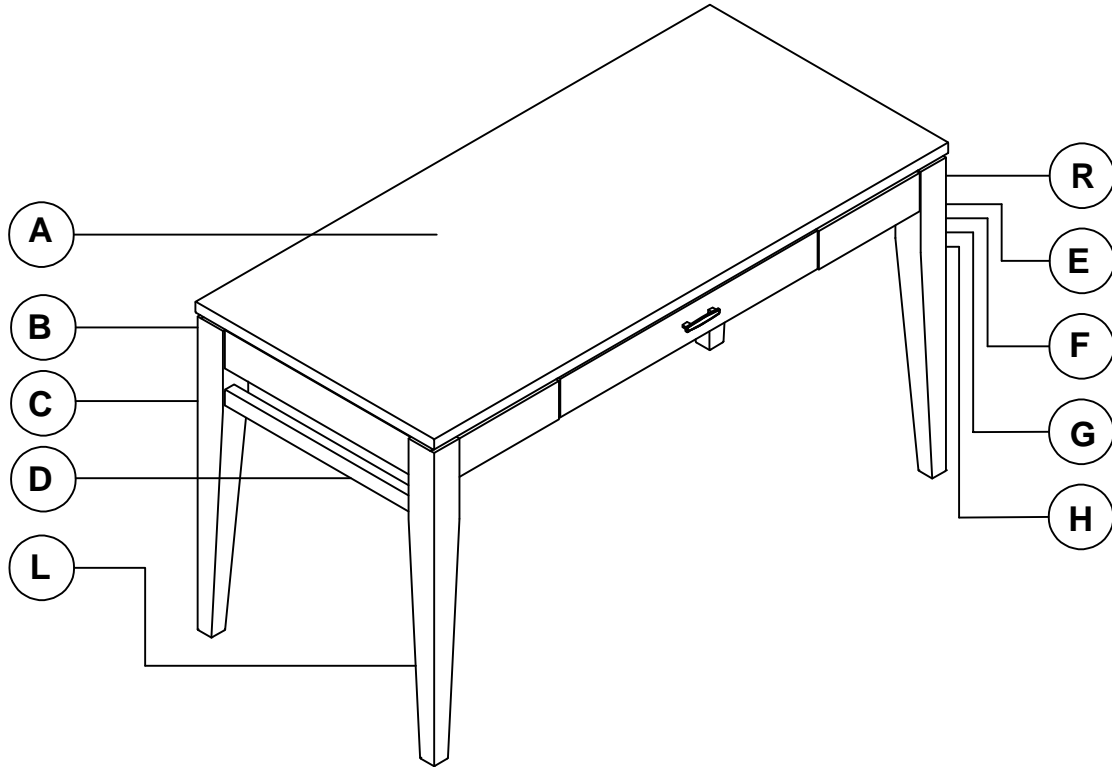
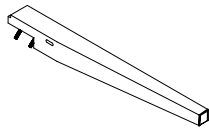


ASSEMBLY INSTRUCTION / NOTICE DE MONTAGE

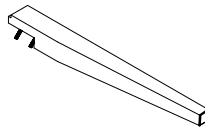
PRODUCT NAME / NUMBER(S) :185-S864SL-910
Description : Desk w/ 1 Drawer



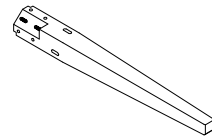
A
x1 Desk
x1 Bureau



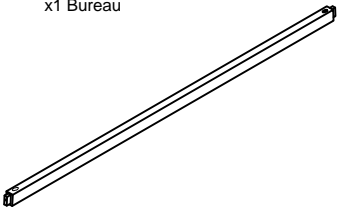
L
x1 Front Legs Left *
x1 Pattes avant gauche



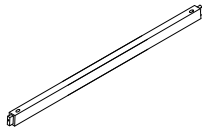
R
x1 Front Legs Right *
x1 Pattes avant droitet



B
x2 Back Legs *
x2 Pattes arrières



C
x1 Back Stretcher *
x1 Civière arrière



D
x2 Side Stretcher *
x2 Civière latérale



E
x8 Hex nut 12*12*6mm *
x8 Écrou hexagonal 12*12*6mm



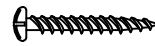
F
x8 Lock washer Ø5/16**13*2mm *
x8 Rondelle de blocage Ø5/16**13*2mm



G
x8 Flat washer Ø5/16**19*2mm *
x8 Rondelle plate Ø5/16**19*2mm



H
x1 Open wrench M12*L90mm *
x1 Clé à fourche M12*L90mm

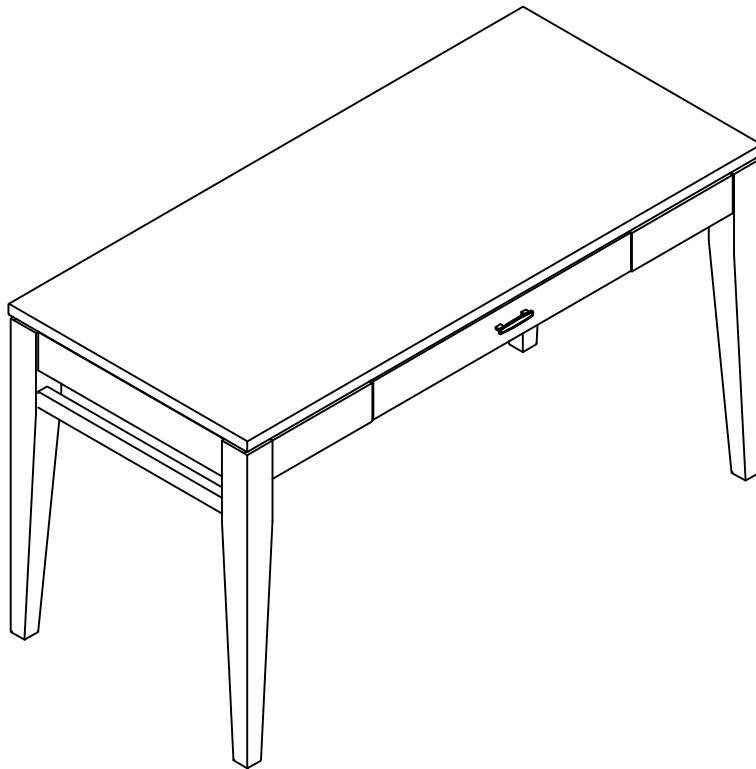
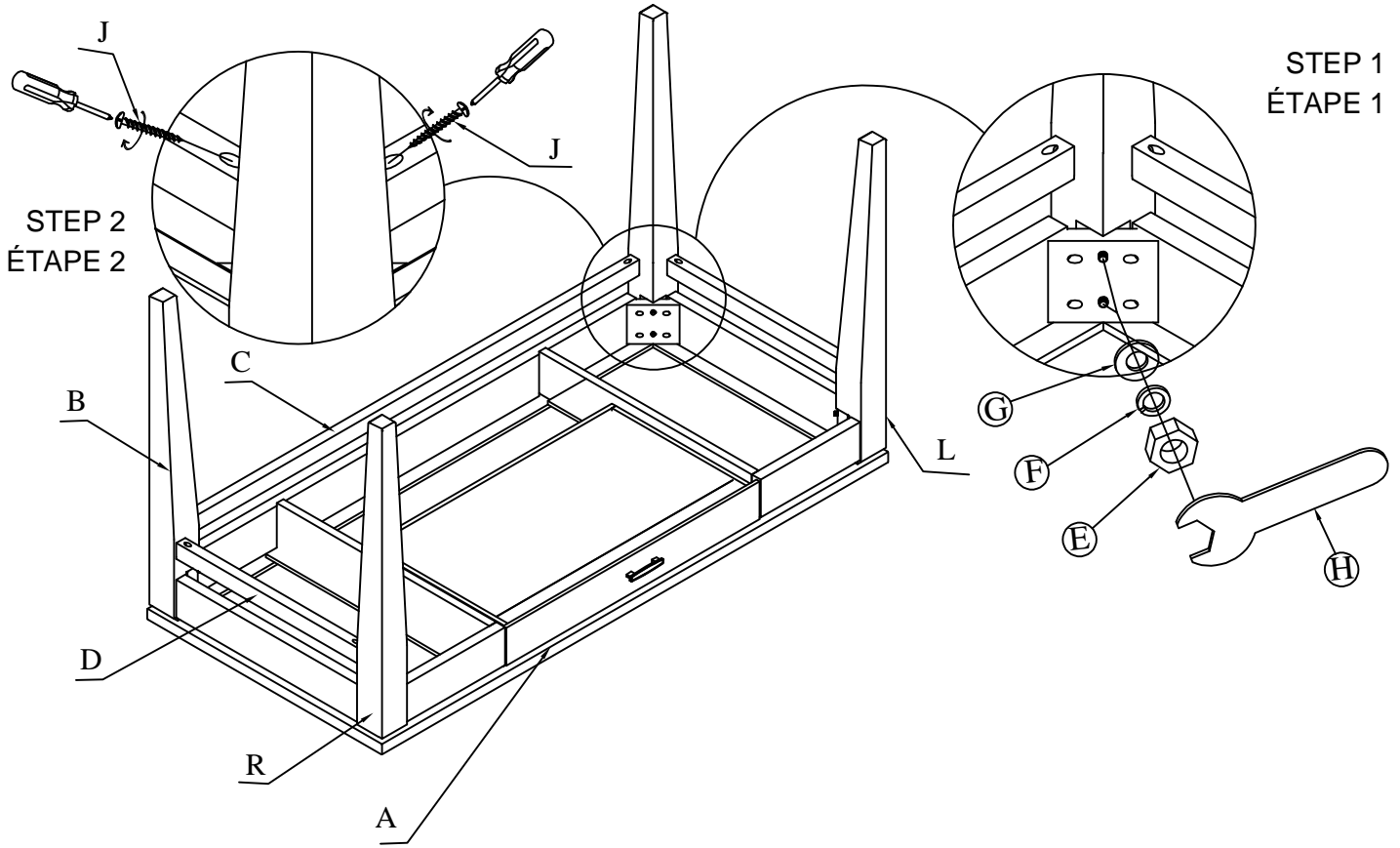


J
x6 Wood Screw #8*40mm *
x6 Vis à bois #8*40mm

*Replaceable part

ASSEMBLY INSTRUCTION / NOTICE DE MONTAGE

PRODUCT NAME / NUMBER(S) : 185-S864SL-910
Description : Desk w/ 1 Drawer



* Replaceable part