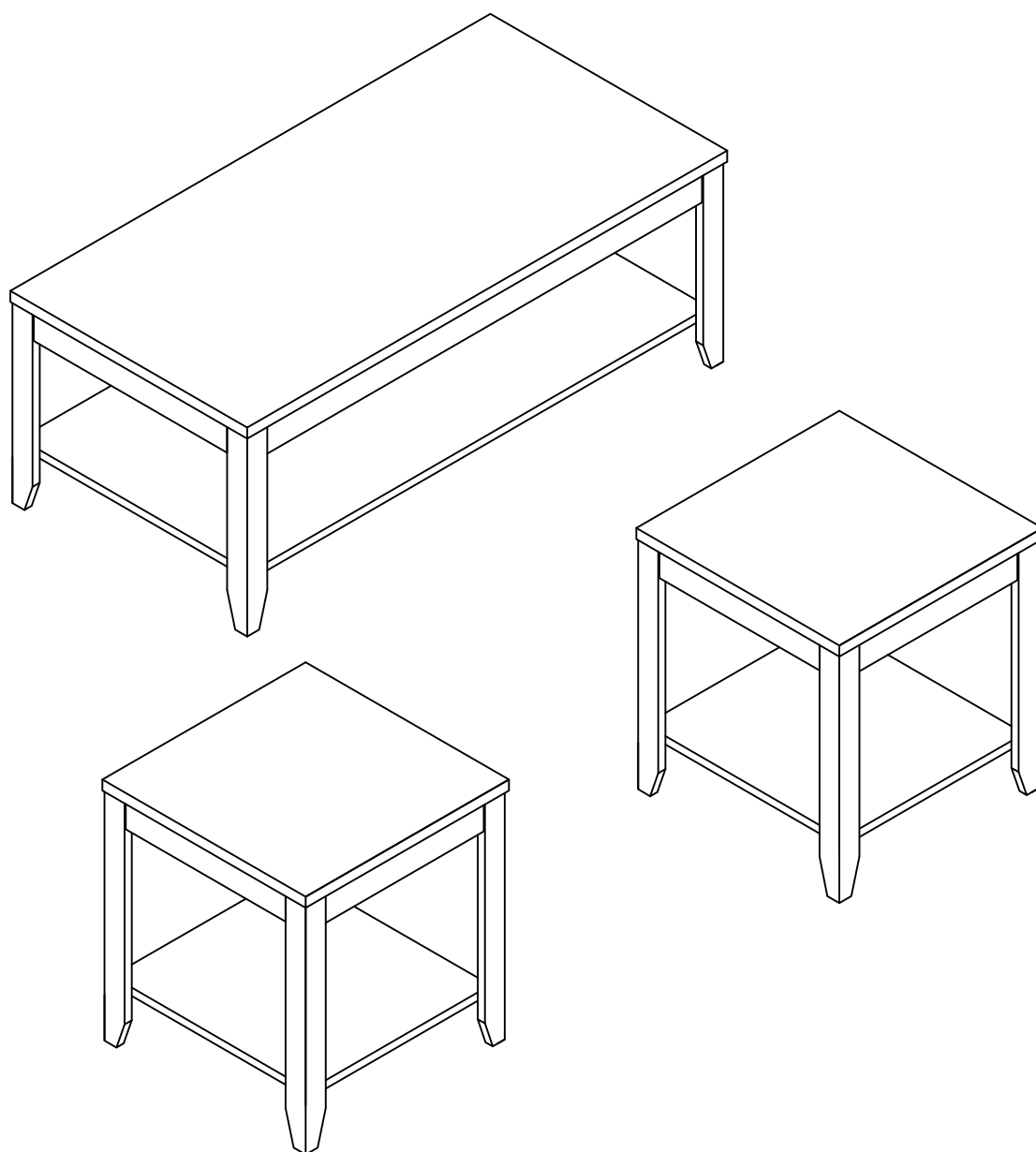


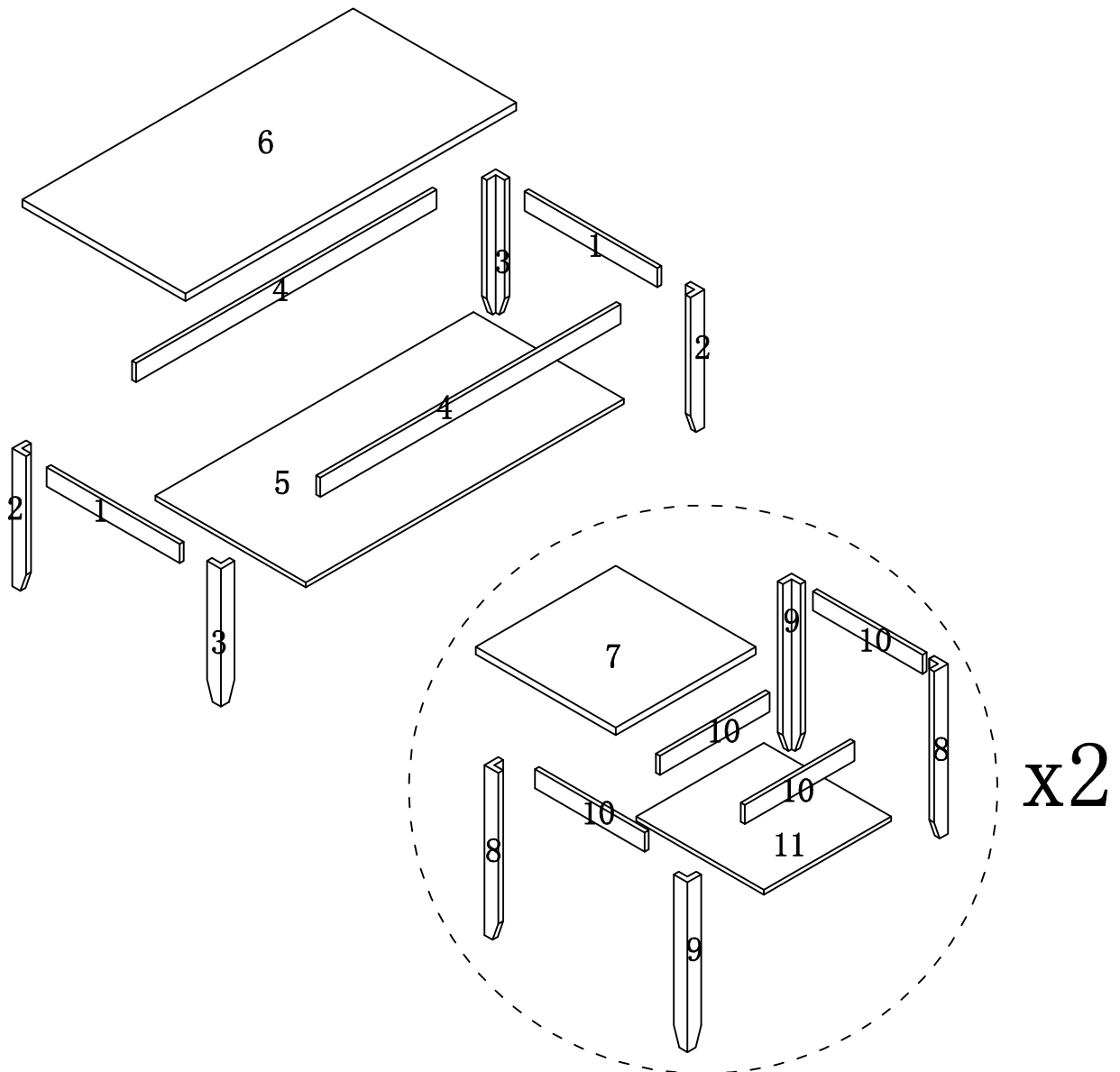
ASSEMBLY INSTRUCTIONS /
INSTRUCTIONS D'ASSEMBLAGE

ITEM NO/NO ARTICLE: 13735-3PK、13735-x3



PARTS IDENTIFICATIONS / IDENTIFICATION DES PIECES

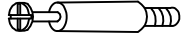







ITEM NO/NO ARTICLE: 13735-3PK、 13735-x3



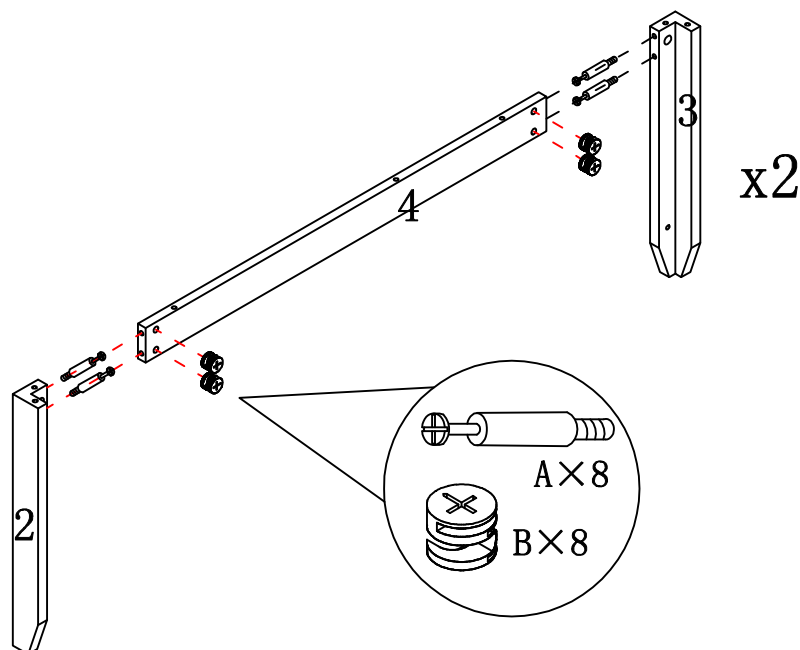
(1) 2pcs/pces	(7) 2pcs/pces
(2) 2pcs/pces	(8) 4pcs/pces
(3) 2pcs/pces	(9) 4pcs/pces
(4) 2pcs/pces	(10) 8pcs/pces
(5) 1pc/pce	(11) 2pcs/pces
(6) 1pc/pce	

HARDWARE IDENTIFICATIONS/ IDENTIFICATION DU KIT D'ASSEMBLAGE

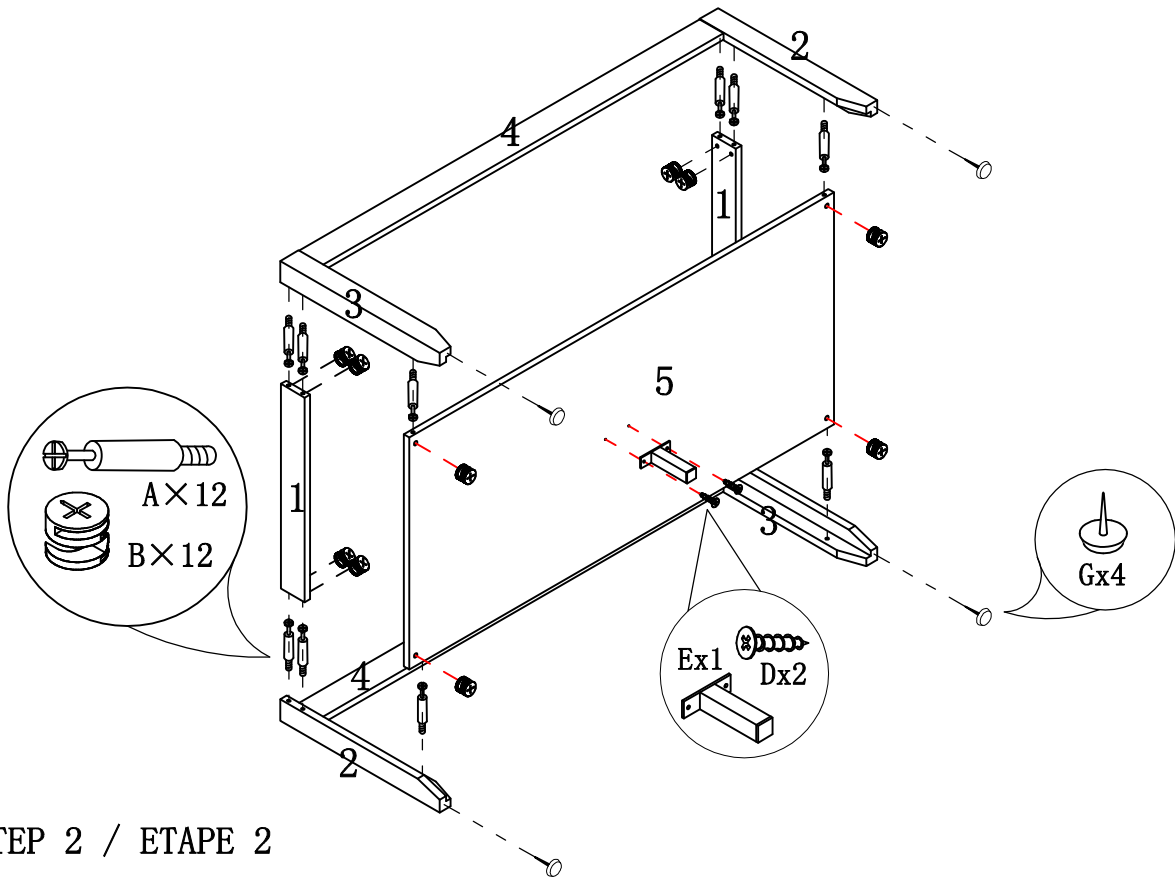
ITEM NO/NO ARTICLE: 13735-3PK、13735-x3

A		L29	84pcs/pces
B		ø15	84pcs/pces
C		ø8×25	14pcs/pces
D		ø4x16	2pcs/pces
E		80x25x102	1pc/pce
F		ø4x50	26pcs/pces
G		ø16	12pcs/pces
H		To firmly secure the cover to the connecting hole / Pour coller la rondelle au trou de connexion	1pc/pce

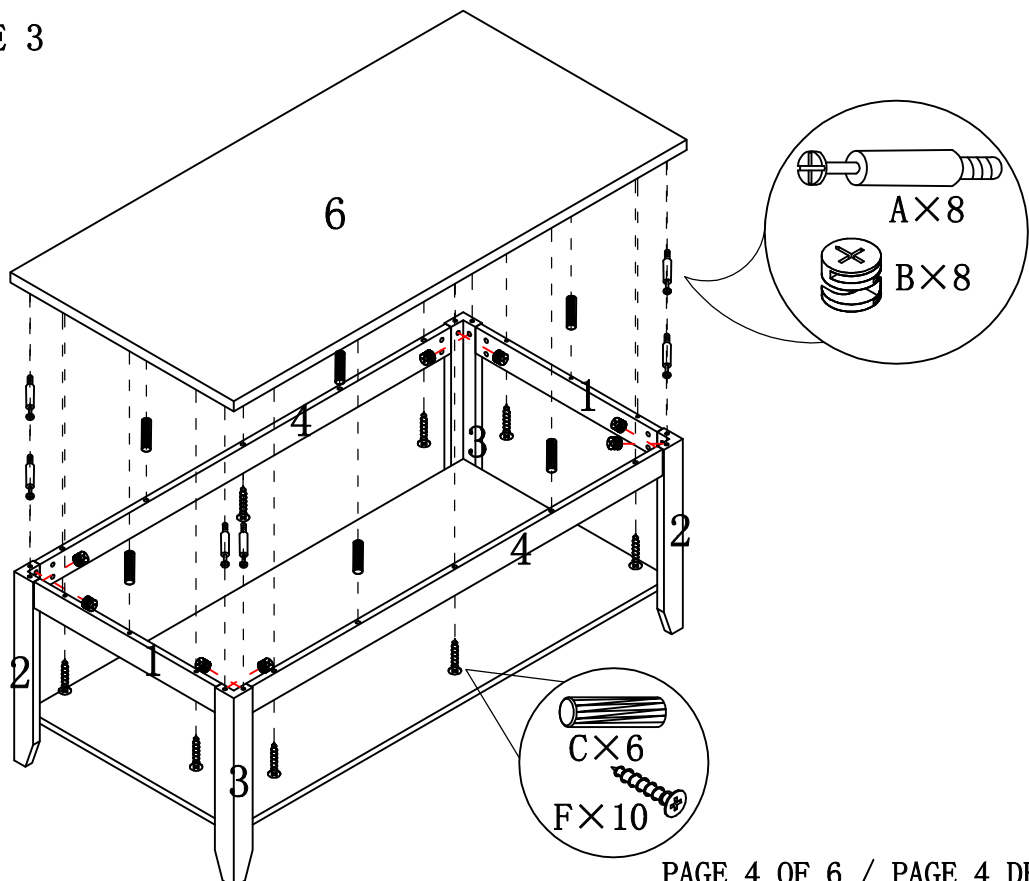
STEP 1 / ETAPE 1



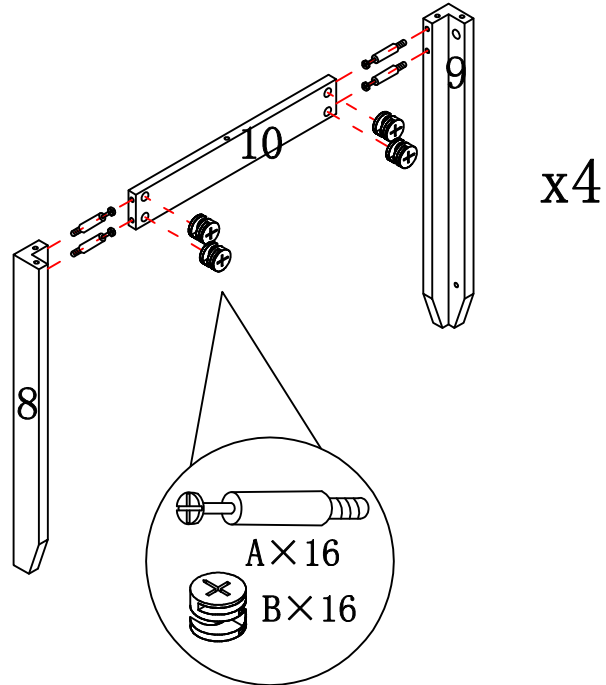
ITEM NO/NO ARTICLE: 13735-3PK、13735-x3



STEP 3 / ETAPE 3

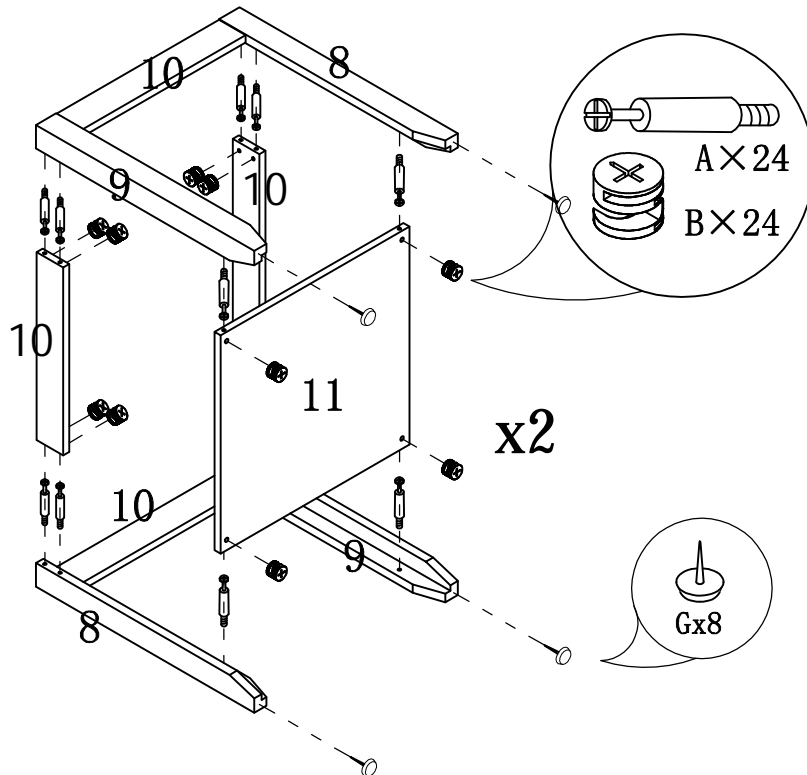


ITEM NO/NO ARTICLE: 13735-3PK、13735-x3

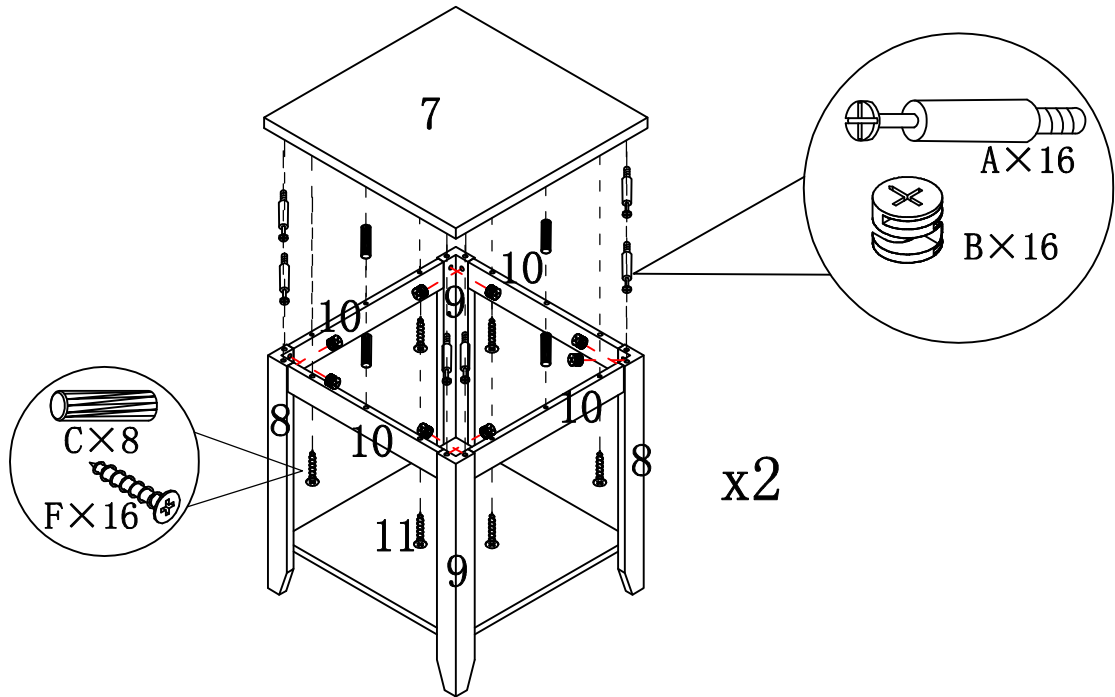


STEP 4 / ETAPE 4

STEP 5 / ETAPE 5



ITEM NO/NO ARTICLE: 13735-3PK、13735-x3



STEP 6 / ETAPE 6

STEP 7 / ETAPE 7

