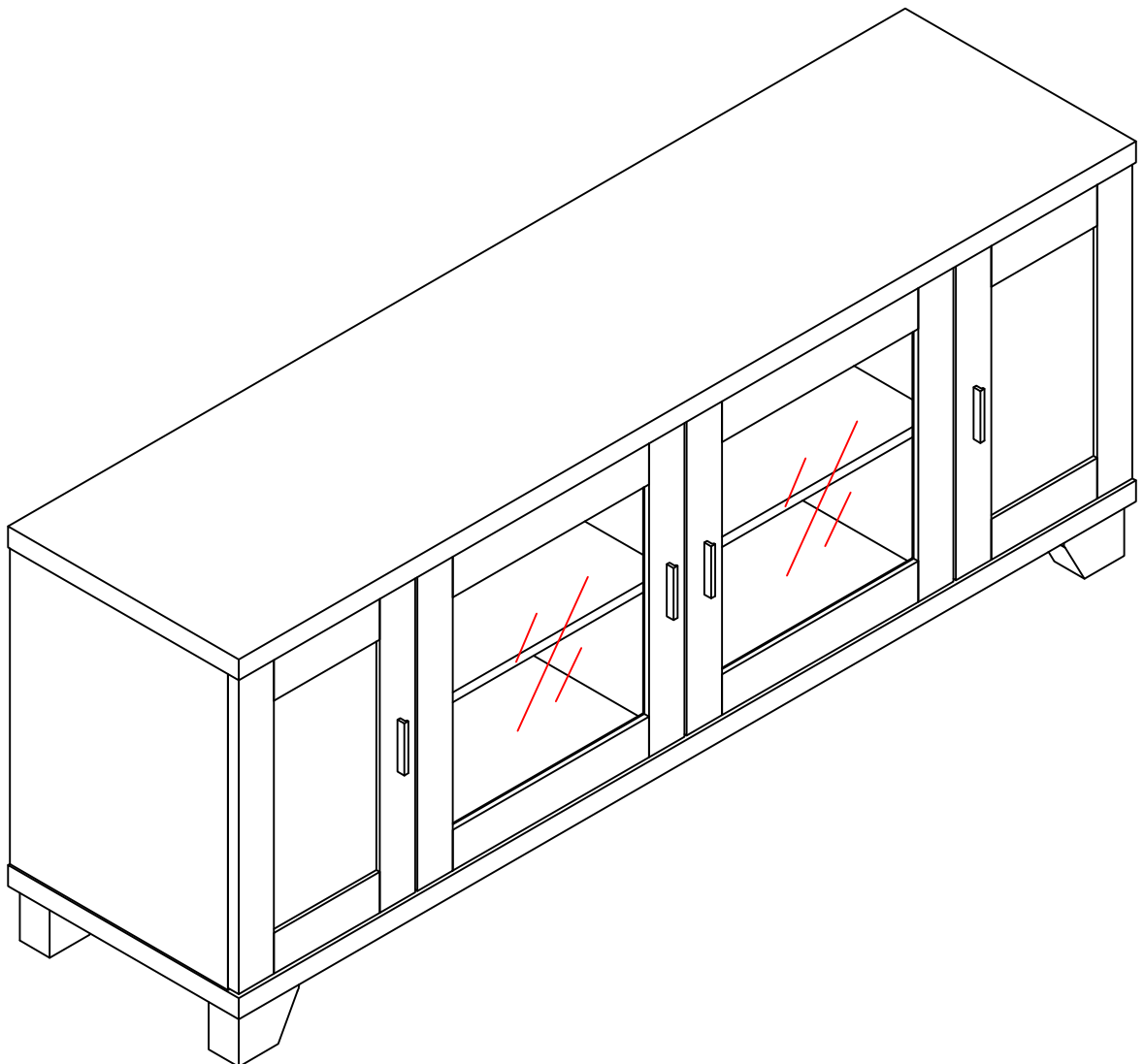


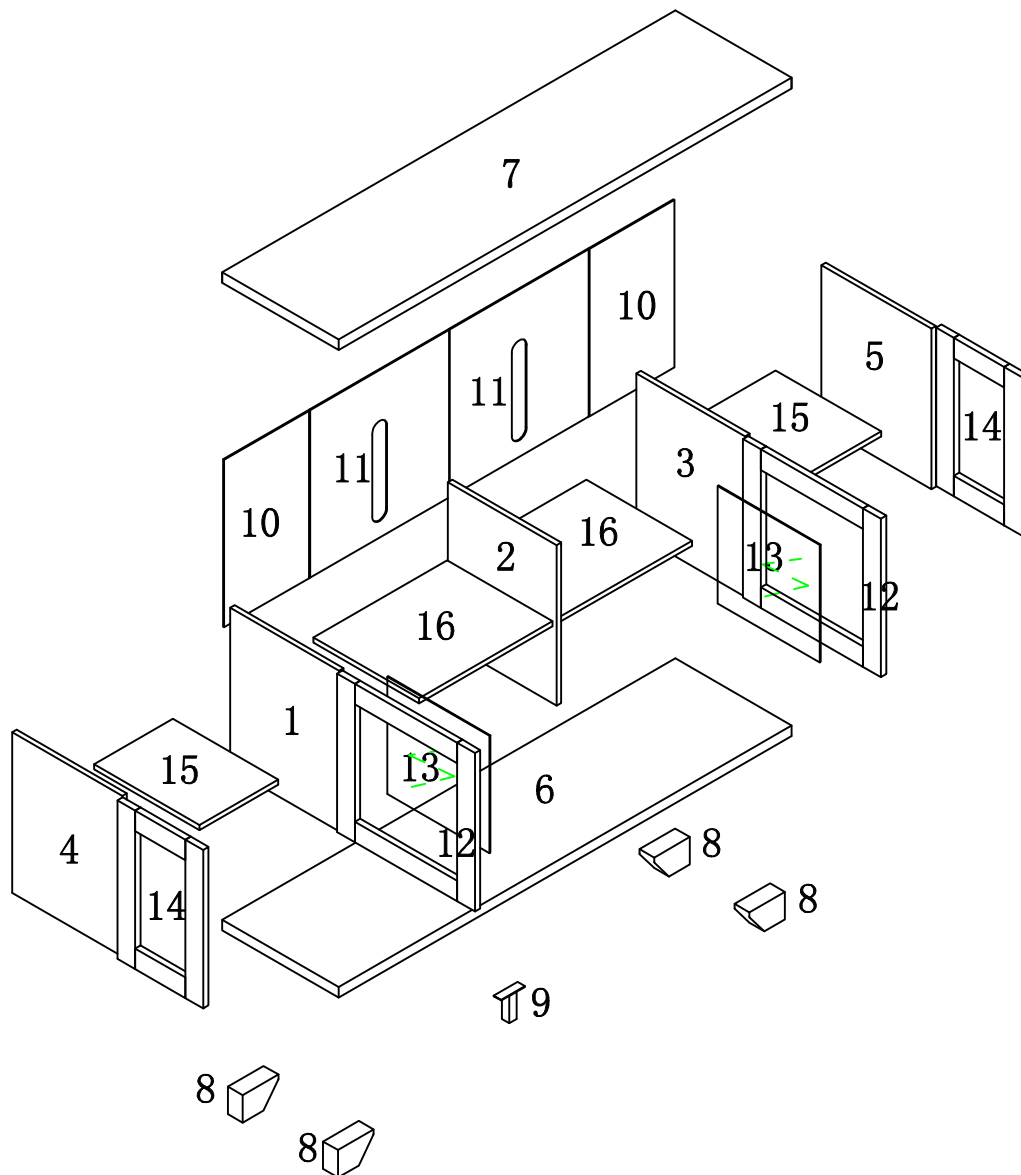
ASSEMBLY INSTRUCTIONS /
INSTRUCTIONS D'ASSEMBLAGE

ITEM NO/NO ARTICLE: 11452



PARTS IDENTIFICATIONS / IDENTIFICATION DES PIECES

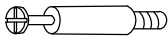

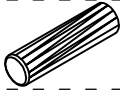
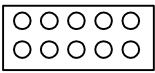







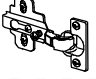
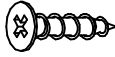
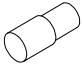



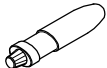
ITEM NO/NO ARTICLE: 11452



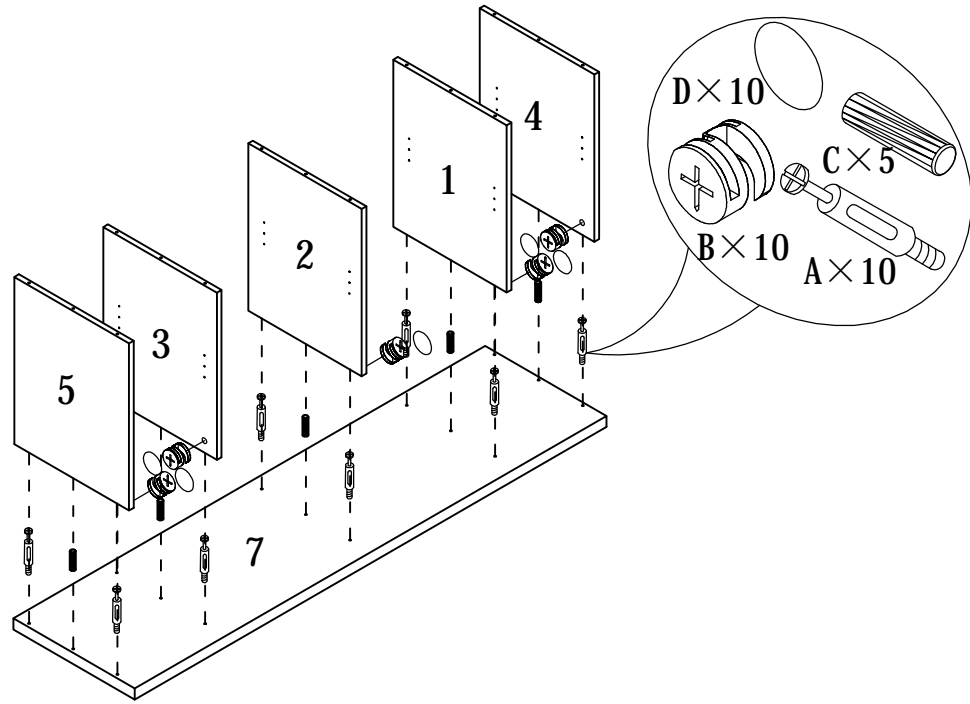
(1) 1pc/pce	(7) 1pc/pce	(13) 2pcs/pces
(2) 1pc/pce	(8) 4pcs/pces	(14) 2pcs/pces
(3) 1pc/pce	(9) 1pc/pce	(15) 2pcs/pces
(4) 1pc/pce	(10) 2pcs/pces	(16) 2pcs/pces
(5) 1pc/pce	(11) 2pcs/pces	
(6) 1pc/pce	(12) 2pcs/pces	

HARDWARE IDENTIFICATIONS/ IDENTIFICATION DU KIT D'ASSEMBLAGE

ITEM NO/NO ARTICLE: 11452

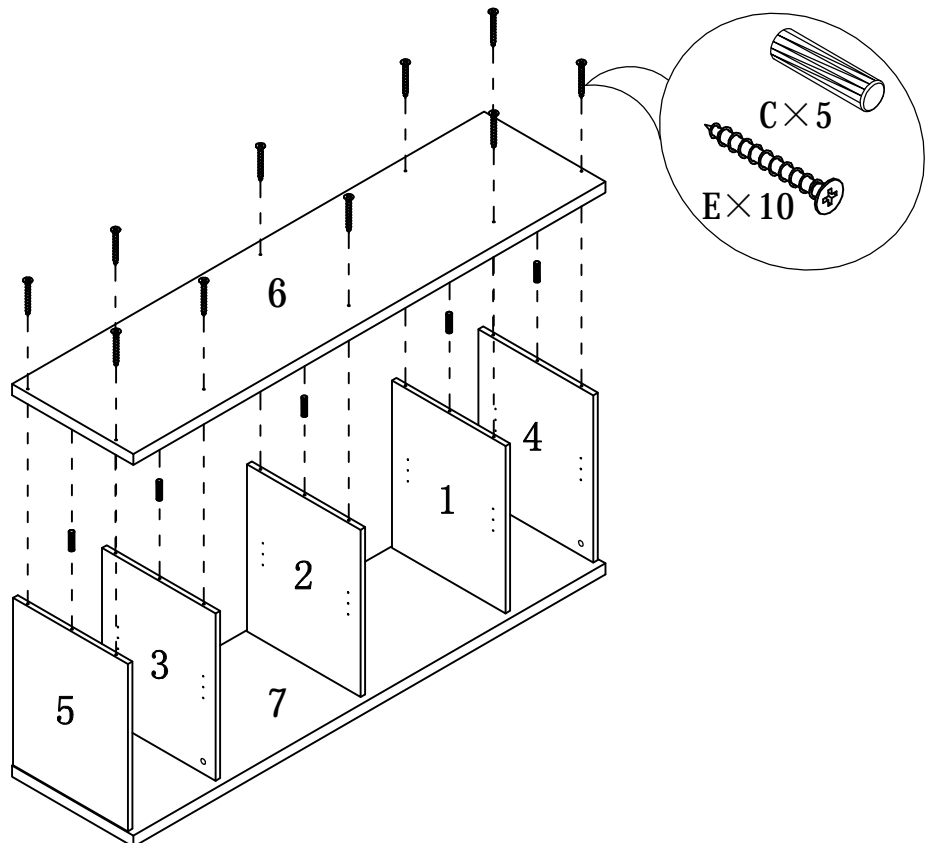
A		L29	10pcs/pces
B		Ø15	10pcs/pces
C		Ø8×25	18pcs/pces
D		Ø18	10pcs/pces
E		Ø4×50	10pcs/pces
F			50pcs/pces
G		Ø8×75	4pcs/pces
H		M5	1pc/pce
I		Ø3.5×12	8pcs/pces
J			8pcs/pces
K		301A	4pcs/pces
L		301B	4pcs/pces
M		Ø4×16	34pcs/pces
N		Ø5	16pcs/pces
O		96#	4pcs/pces
P		Ø4×25	8pcs/pces
Q		Ø16	4pcs/pces
R		To firmly secure the cover to the connecting hole / Pour coller la rondelle au trou de connexion	1pc/pce

ITEM NO/NO ARTICLE: 11452

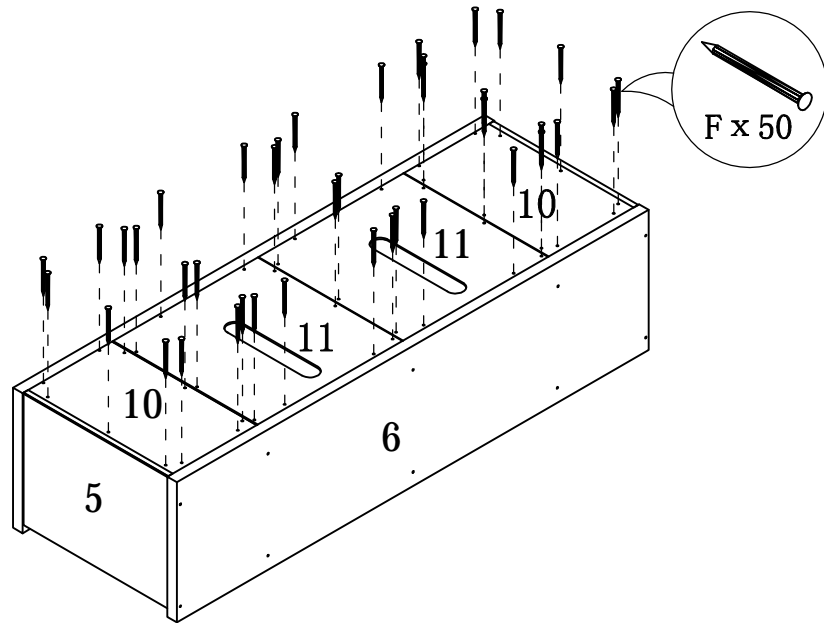


STEP 1 / ETAPE 1

STEP 2 / ETAPE 2

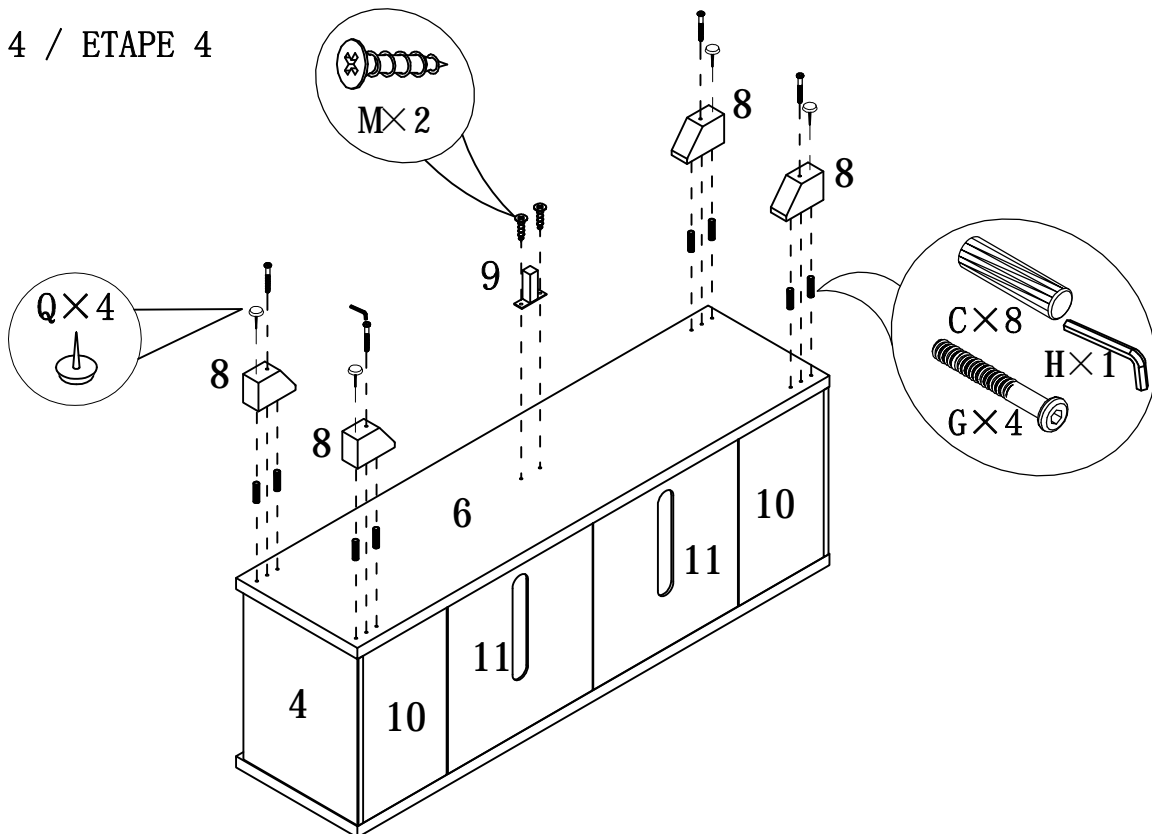


ITEM NO/NO ARTICLE: 11452

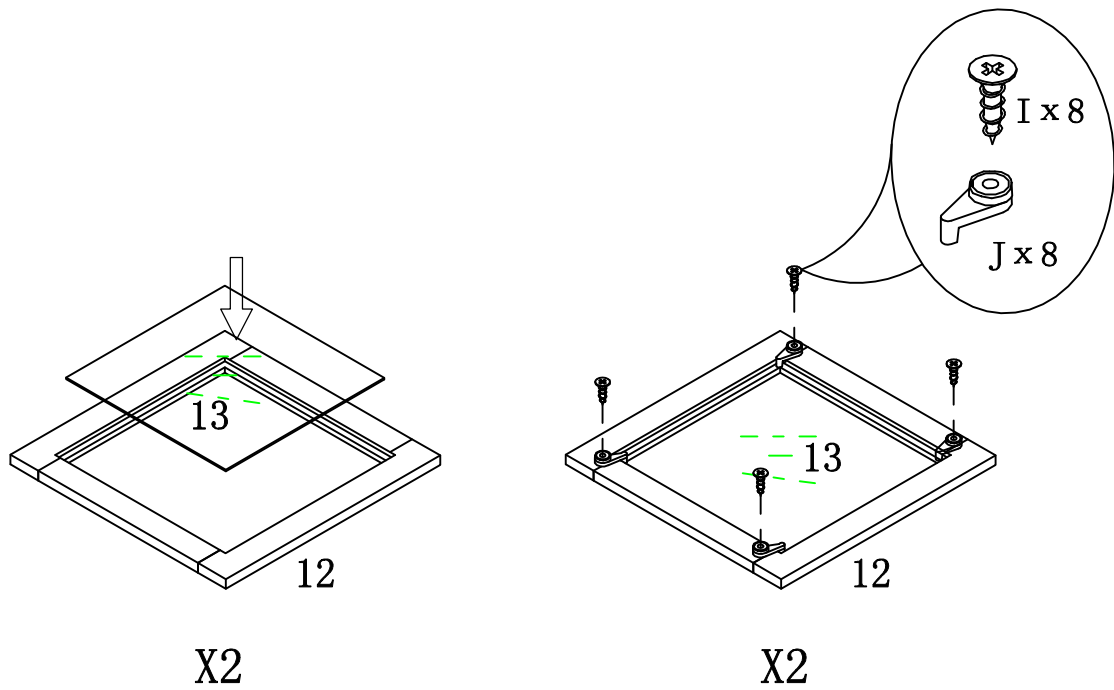


STEP 3 / ETAPE 3

STEP 4 / ETAPE 4

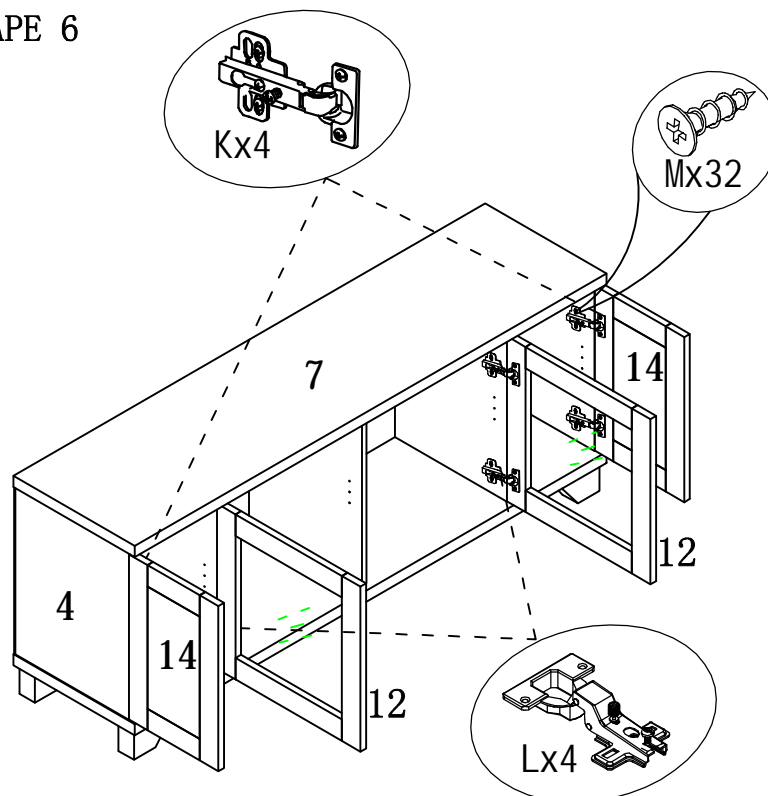


ITEM NO/NO ARTICLE: 11452

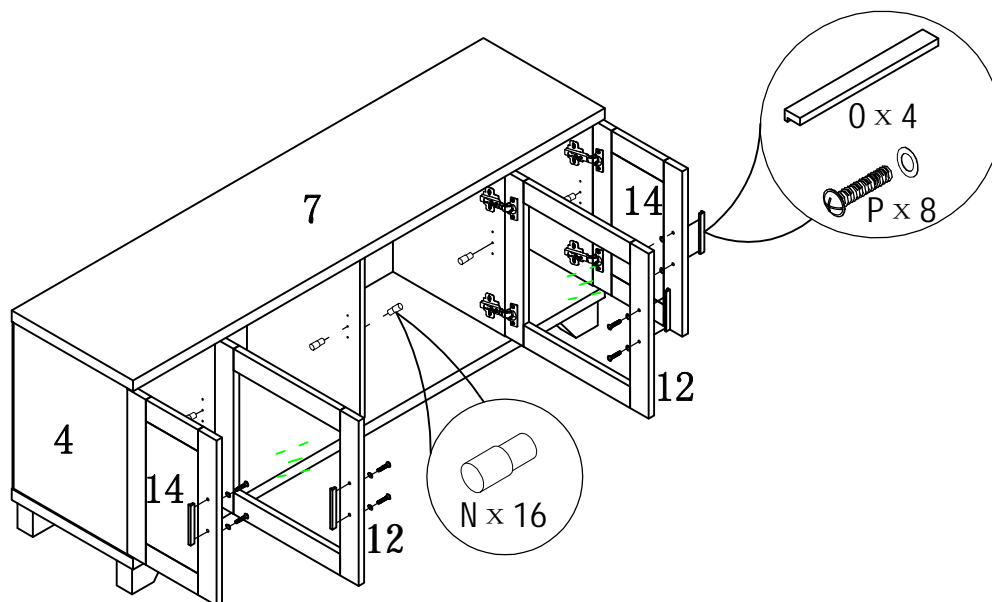


STEP 5 / ETAPE 5

STEP 6 / ETAPE 6

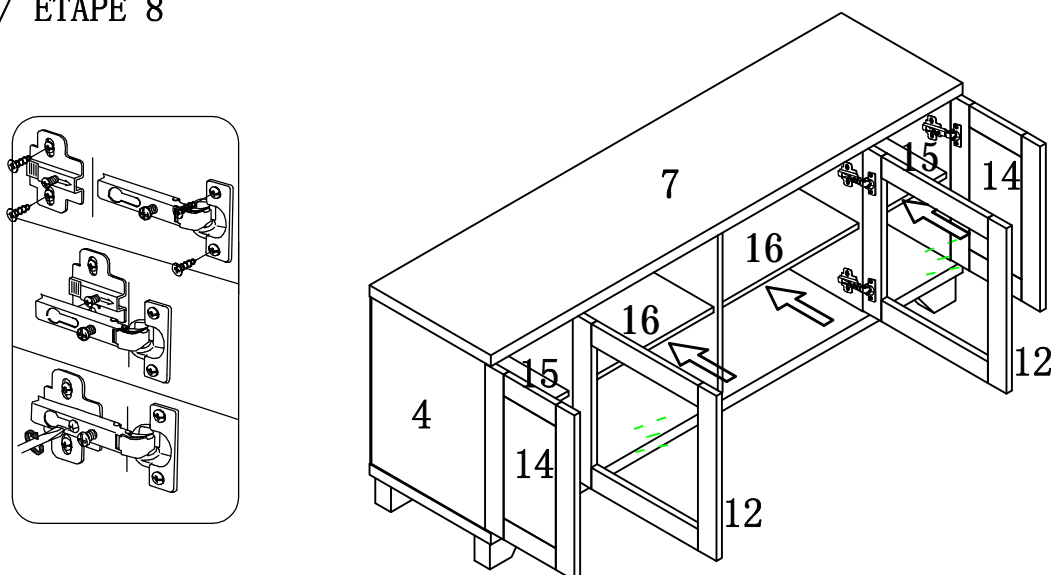


ITEM NO/NO ARTICLE: 11452



STEP 7 / ETAPE 7

STEP 8 / ETAPE 8



adjust the door hinge to control the size on the gap of the door/
Ajuster la charnière pour contrôler l'espace entre la porte et la console