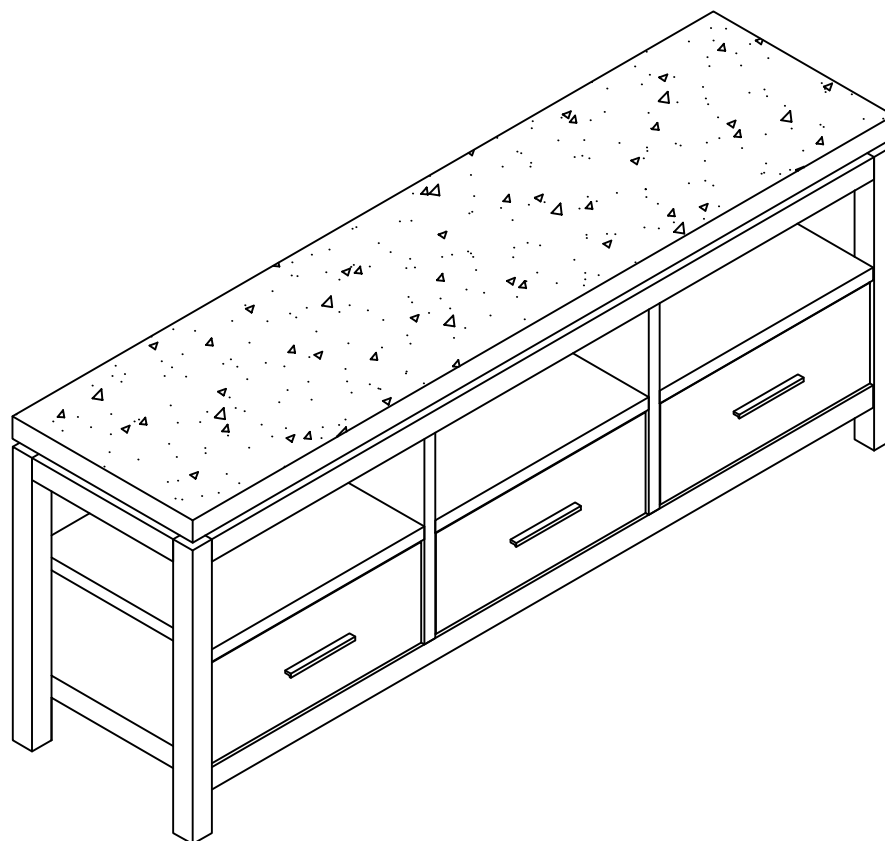


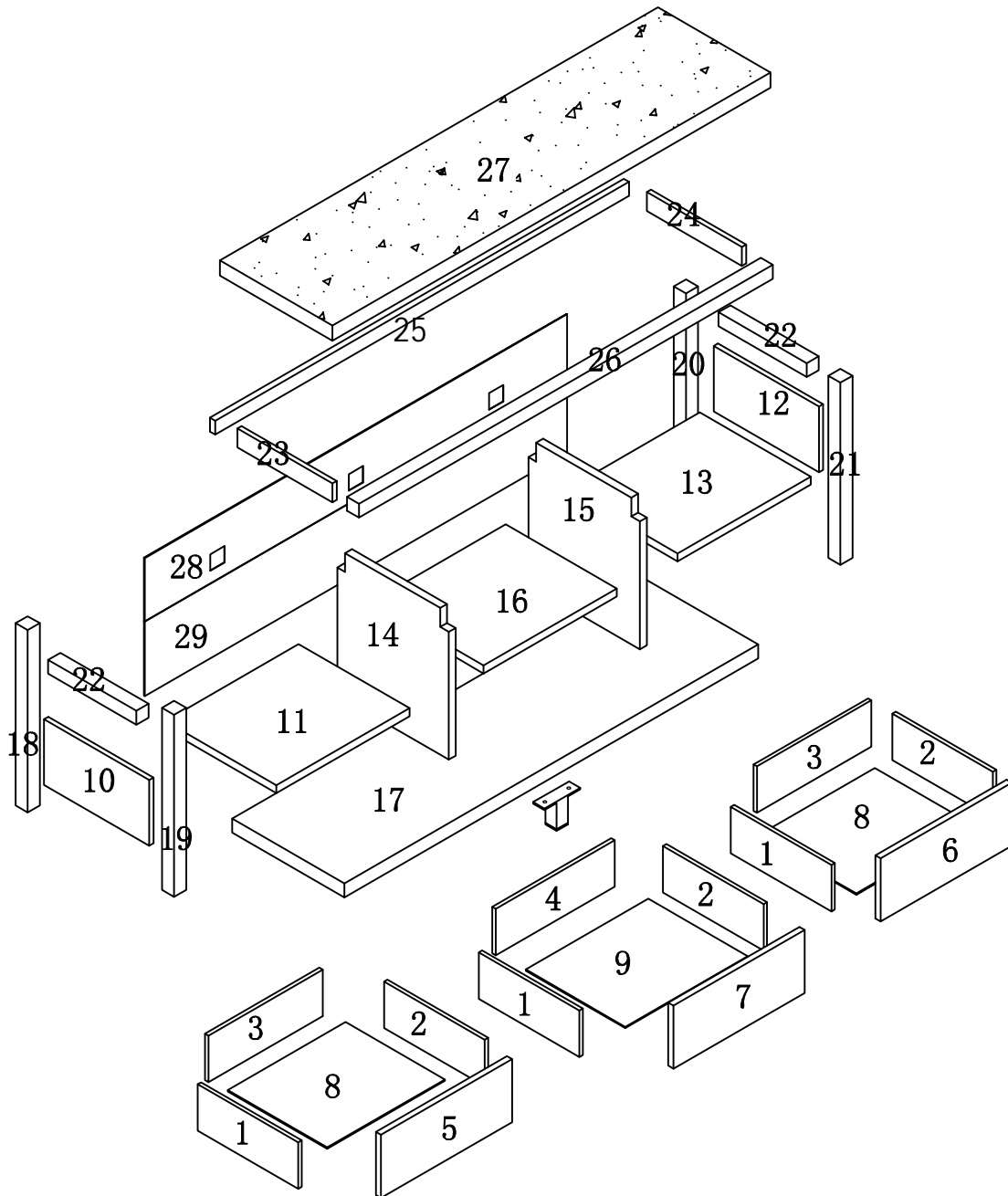
ASSEMBLY INSTRUCTIONS / INSTRUCTIONS D'ASSEMBLAGE

ITEM NO/NO ARTICLE: 10348



PARTS IDENTIFICATIONS / IDENTIFICATION DES PIECES

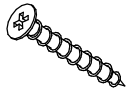
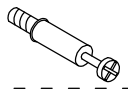


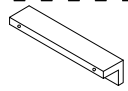
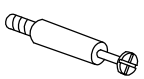

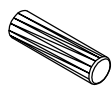
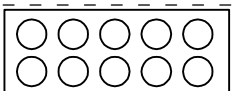
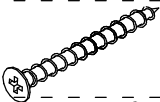

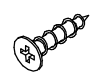


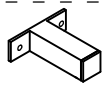

ITEM NO/NO ARTICLE: 10348



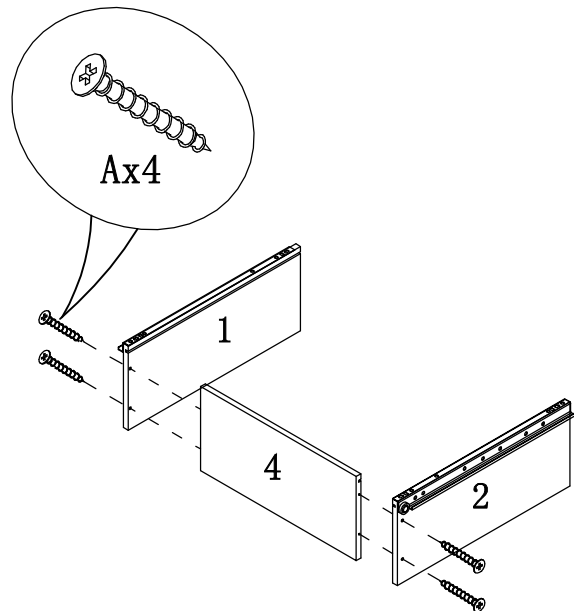
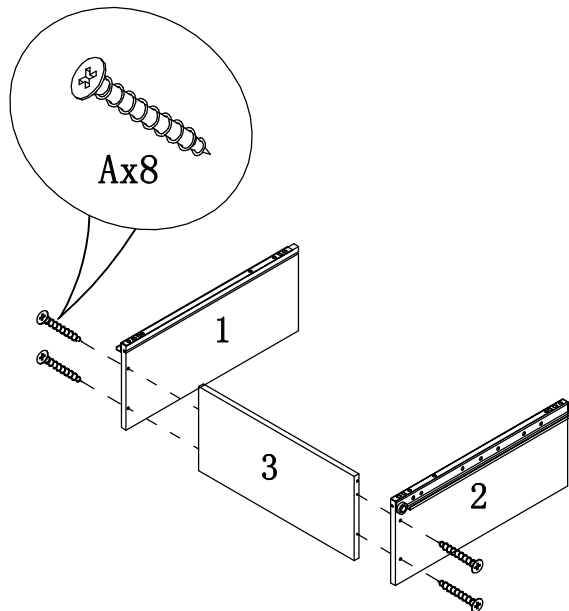
(1) 3pcs/pces	(7) 1pc/pce	(13) 1pc/pce	(19) 1pc/pce	(25) 1pc/pce
(2) 3pcs/pces	(8) 2pcs/pces	(14) 1pc/pce	(20) 1pc/pce	(26) 1pc/pce
(3) 2pcs/pces	(9) 1pc/pce	(15) 1pc/pce	(21) 1pc/pce	(27) 1pc/pce
(4) 1pc/pce	(10) 1pc/pce	(16) 1pc/pce	(22) 2pcs/pces	(28) 1pc/pce
(5) 1pc/pce	(11) 1pc/pce	(17) 1pc/pce	(23) 1pc/pce	(29) 1pc/pce
(6) 1pc/pce	(12) 1pc/pce	(18) 1pc/pce	(24) 1pc/pce	

HARDWARE IDENTIFICATIONS/ IDENTIFICATION DU KIT D'ASSEMBLAGE

ITEM NO/NO ARTICLE: 10348

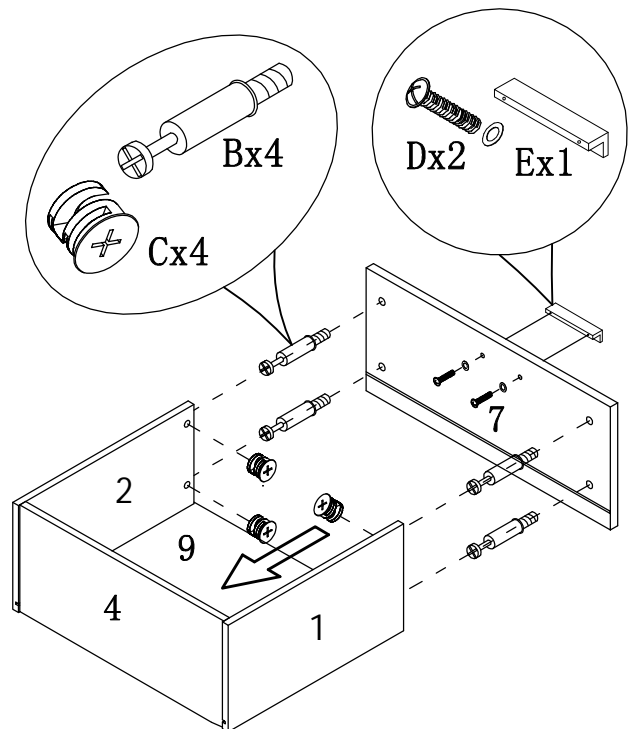
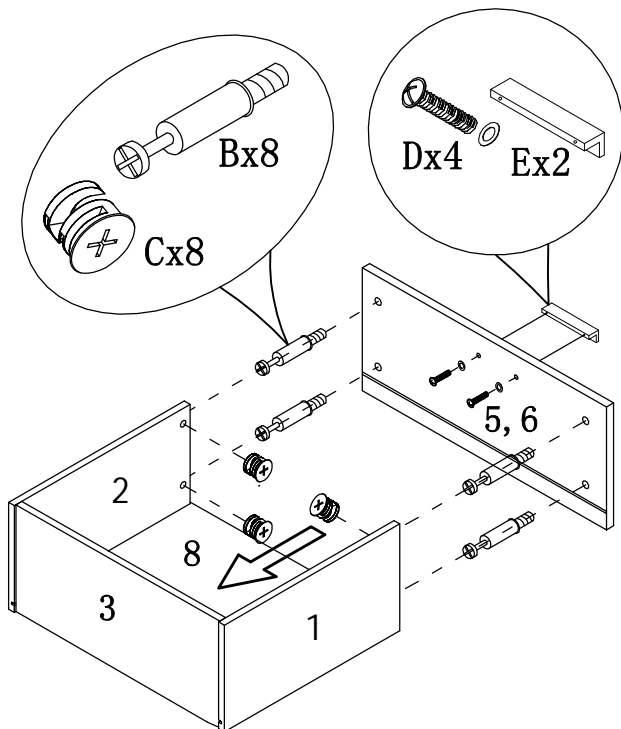
A		$\phi 4 \times 30$	12pcs/pces
B		L20	12pcs/pces
C		$\phi 12$	12pcs/pces
D		$\phi 4 \times 22$	6pcs/pces
E		L96	3pcs/pces
F		L29	34pcs/pces
G		$\phi 15$	34pcs/pces
H		$\phi 8 \times 25$	20pcs/pces
I		$\phi 18$	10pcs/pces
J		$\phi 4 \times 40$	8pcs/pces
K		$\phi 4 \times 35$	8pcs/pces
L		$\phi 4 \times 16$	2pcs/pces
M			32pcs/pces
N		$\phi 16$	4pcs/pces
O		80X25X82	1pc/pce
P		To firmly secure the cover to the connecting hole / Pour coller la rondelle au trou de connexion	1pc/pce

ITEM NO/NO ARTICLE: 10348

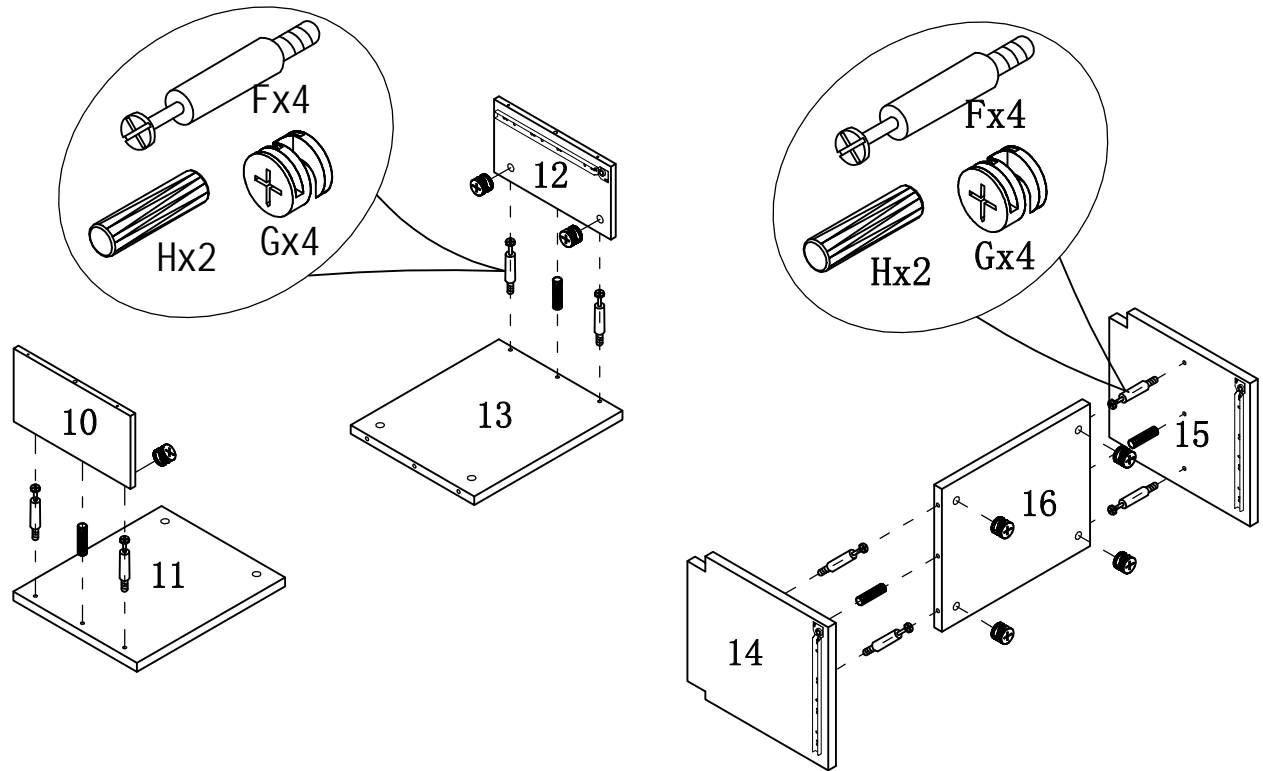


STEP 1 / ETAPE 1

STEP 2 / ETAPE 2

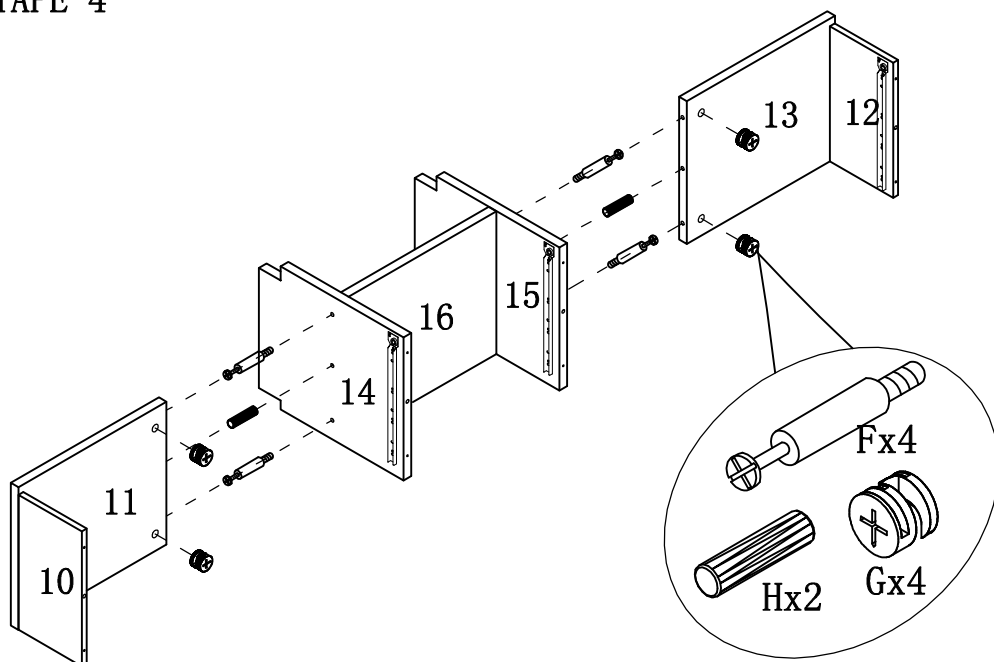


ITEM NO/NO ARTICLE: 10348

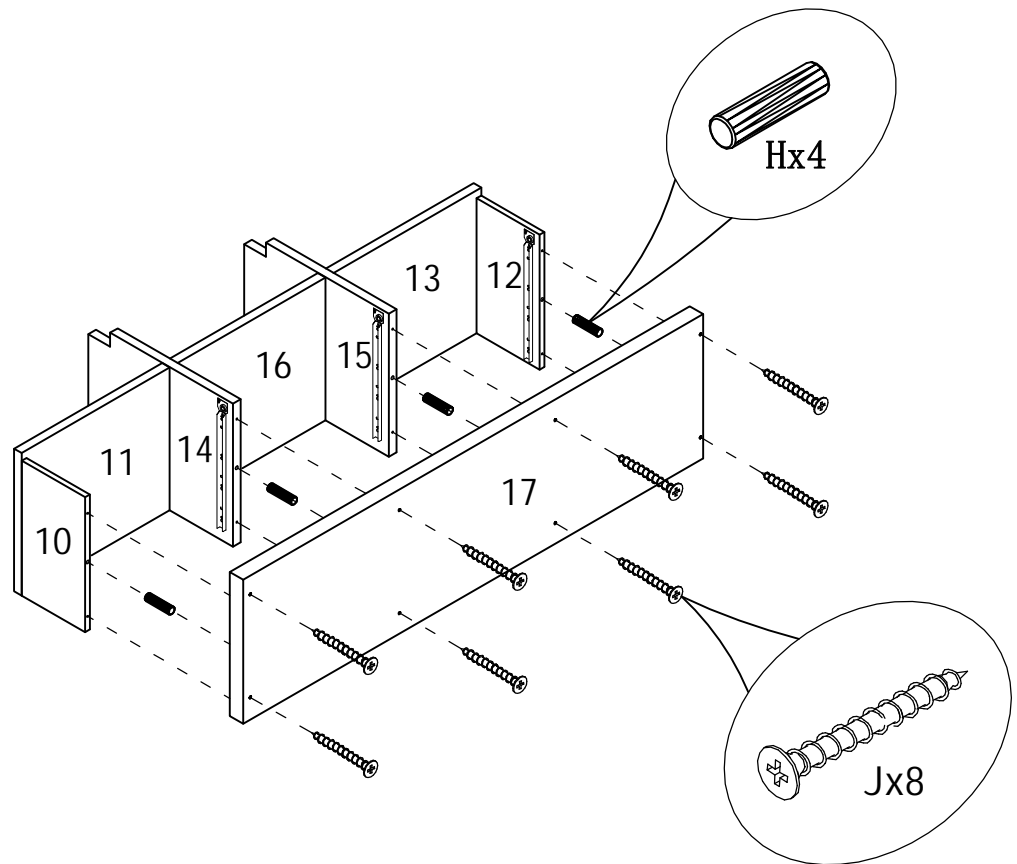


STEP 3 / ETAPE 3

STEP 4 / ETAPE 4

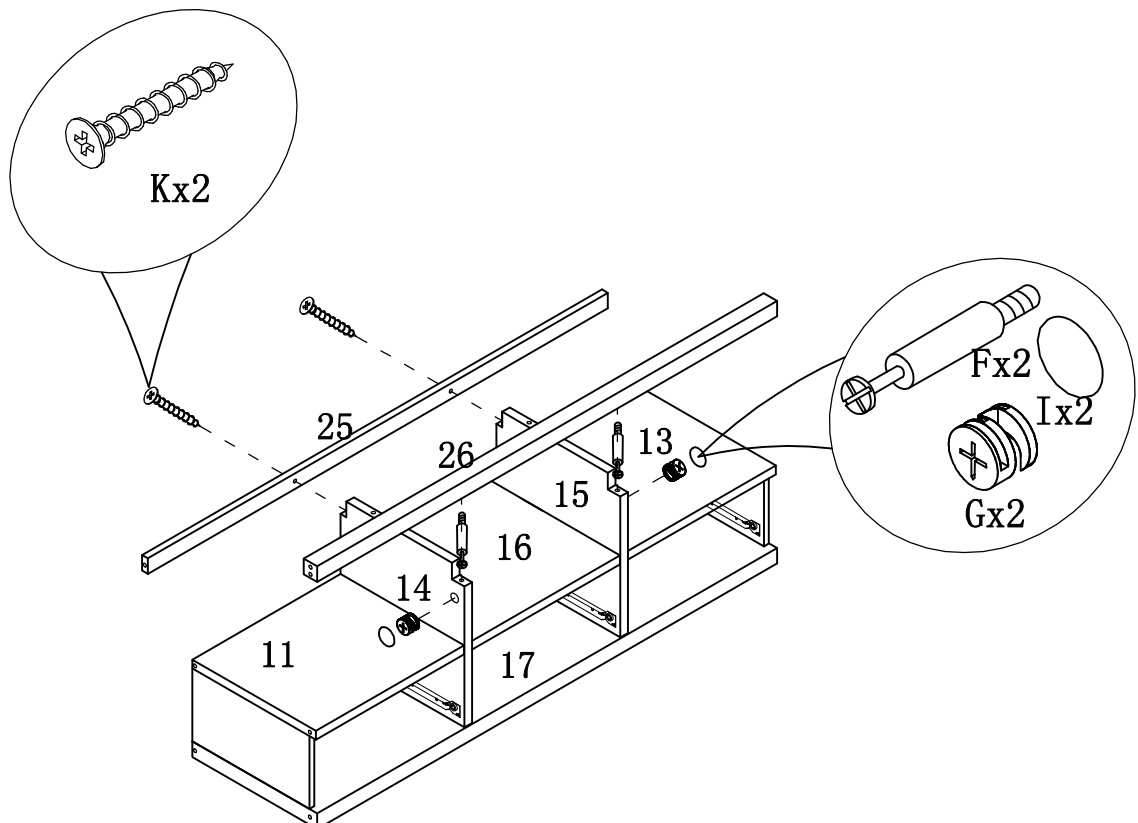


ITEM NO/NO ARTICLE: 10348

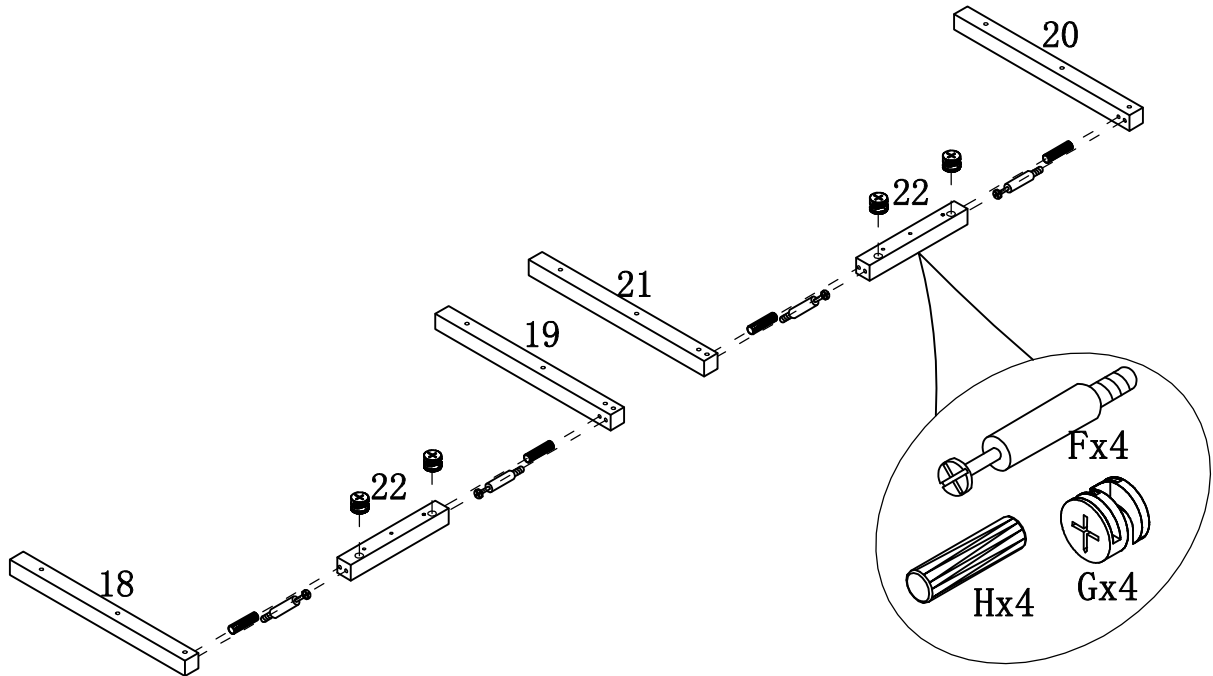


STEP 5 / ETAPE 5

STEP 6 / ETAPE 6

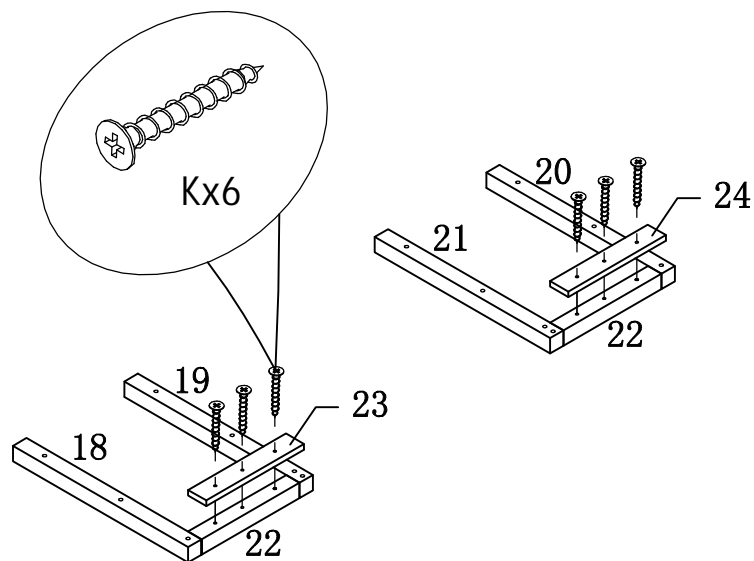


ITEM NO/NO ARTICLE: 10348

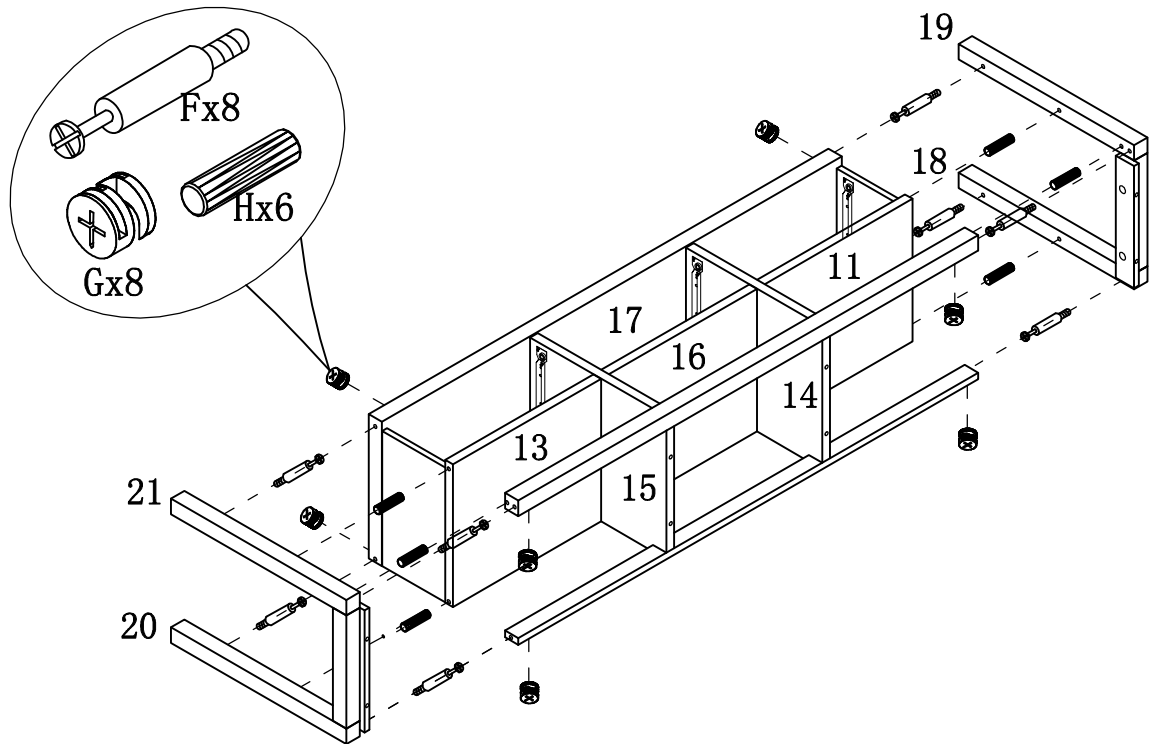


STEP 7 / ETAPE 7

STEP 8 / ETAPE 8

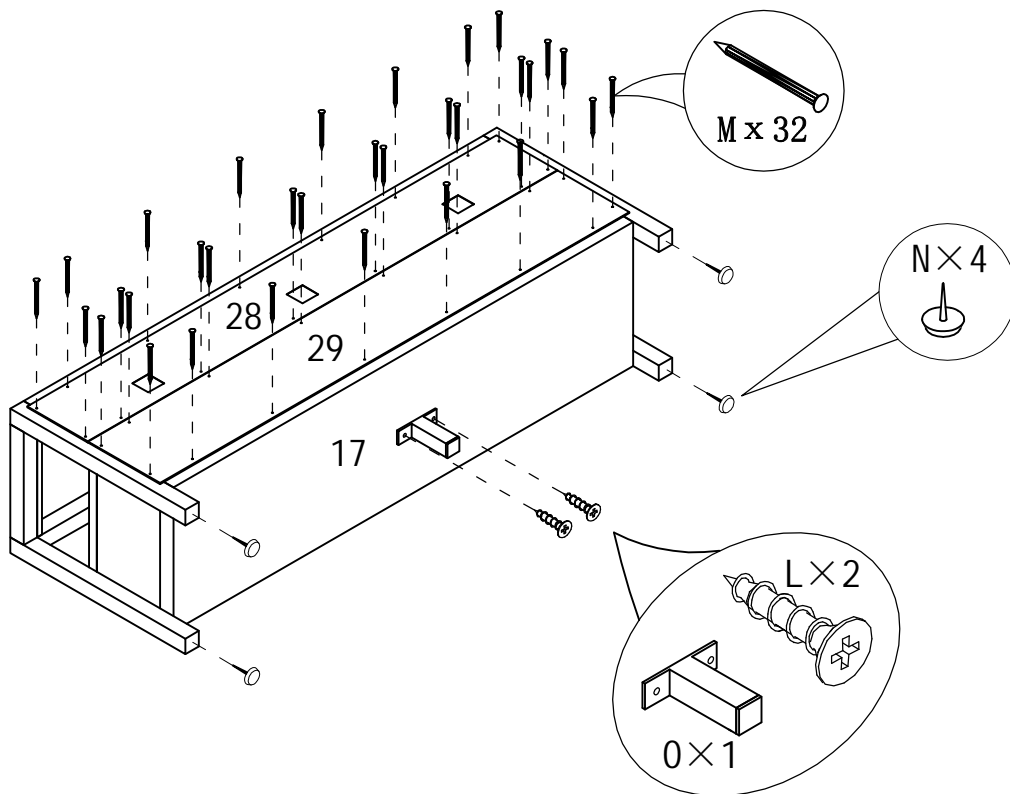


ITEM NO/NO ARTICLE: 10348

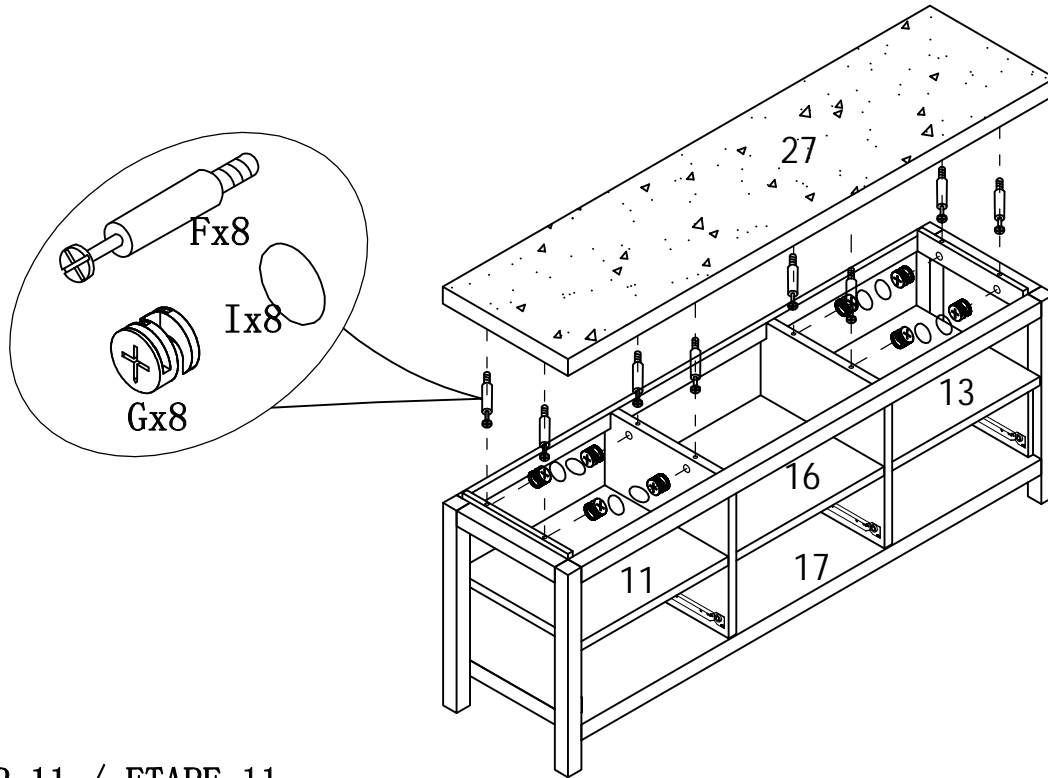


STEP 9 / ETAPE 9

STEP 10 / ETAPE 10



ITEM NO/NO ARTICLE: 10348



STEP 11 / ETAPE 11

STEP 12 / ETAPE 12

