

19G88110

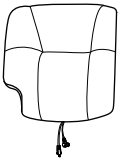
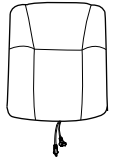
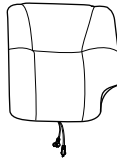

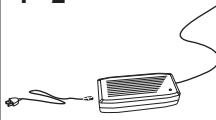
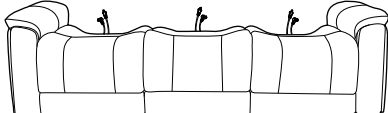

OWNER'S MANUAL

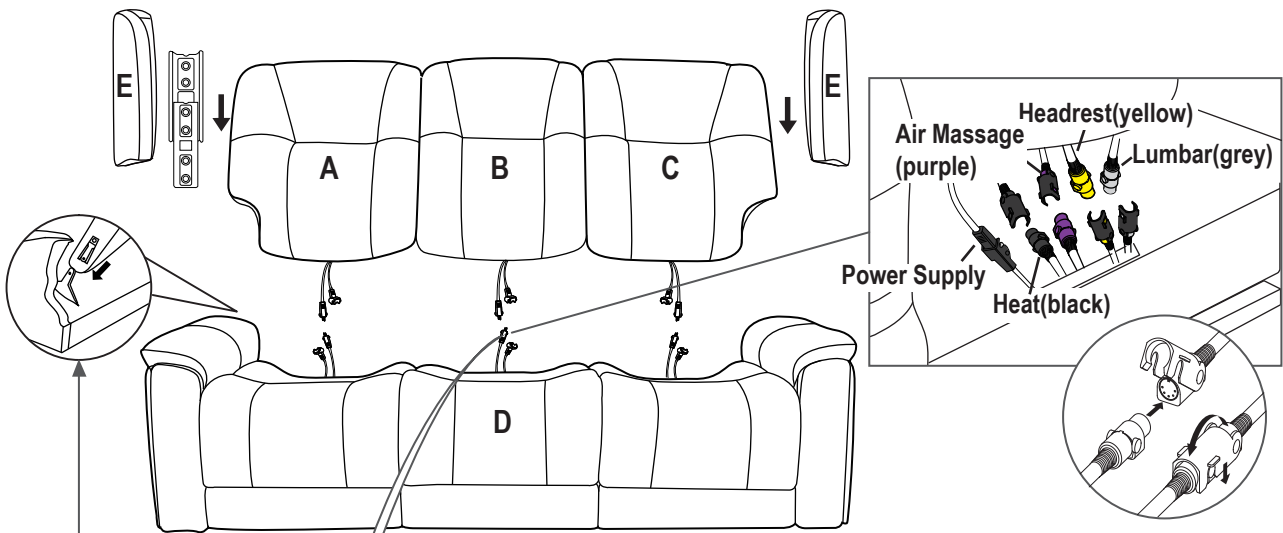
MULTMD.3PWR SOFA W/MSG

Thank you for purchasing this quality product. Be sure to check all packing material carefully for small parts that may have come loose inside the carton during shipment.

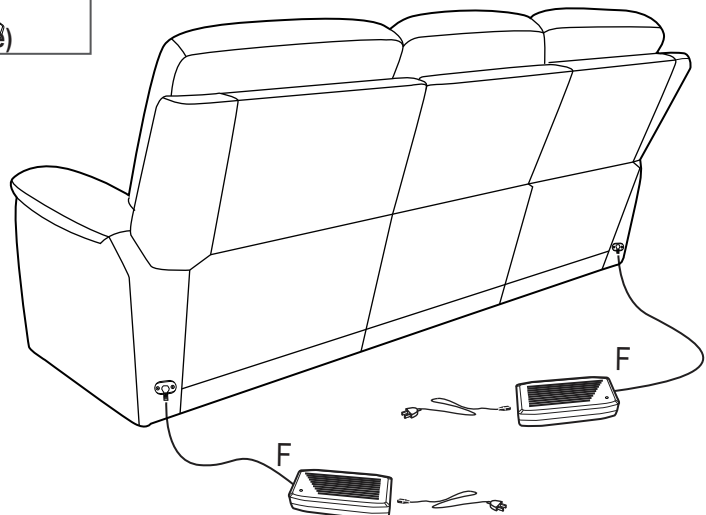
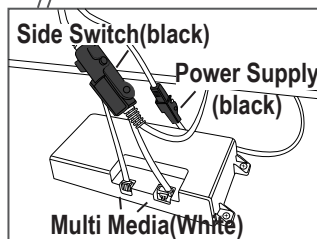
Inside the carton you will find two red plastic bags that have the sofa's wings in it. Remove the wings from the plastic bag and set them aside to be used in assembly and installation.

Make sure to read the instructions below before assembling your Sofa.

A×1 	B×1 	C×1 	E×2 	F×2 
D×1 			 Not Included	



Ensure both clips on back are aligned, then press top of back frame downward until a clicking sound is heard.

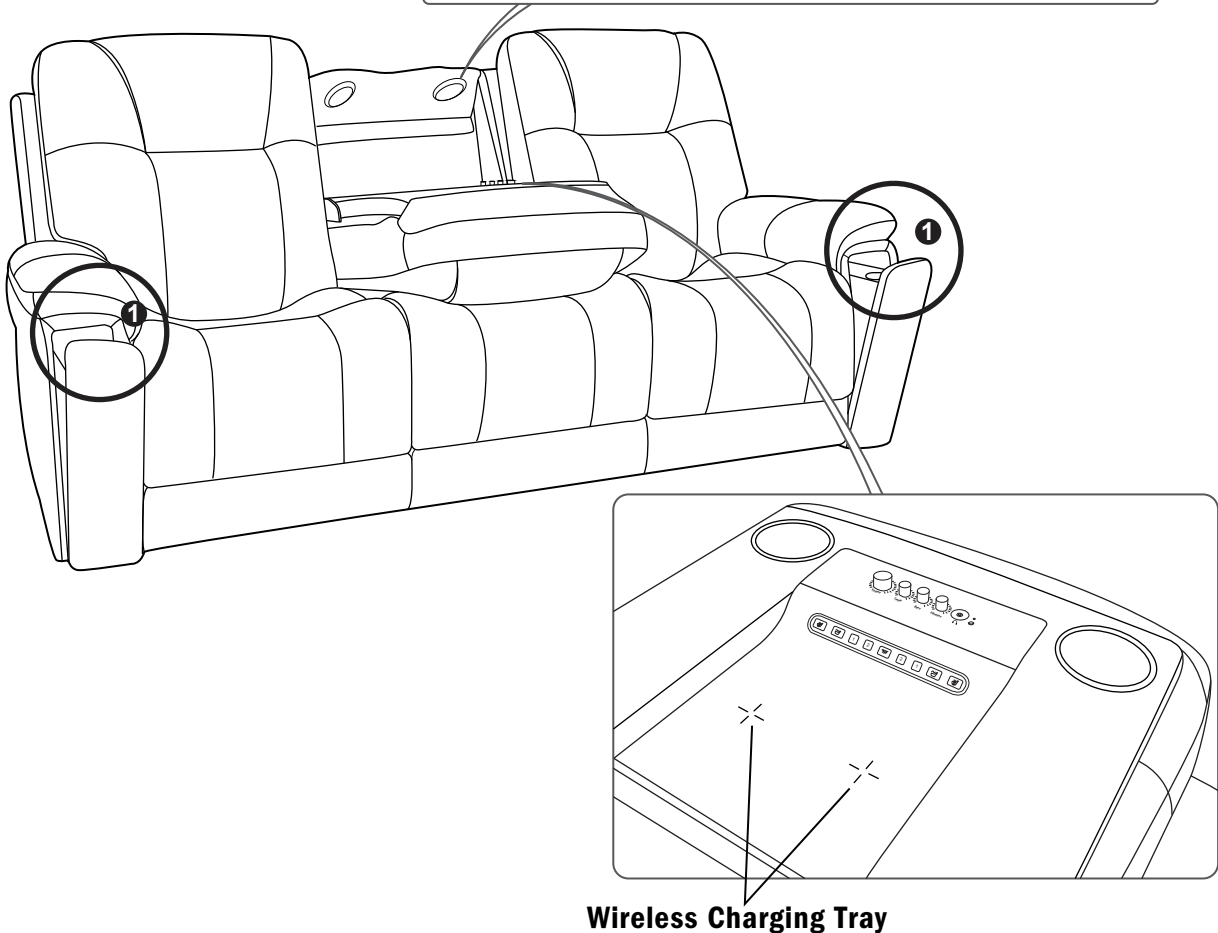


How to Use LED Lights

Press the Middle of LED Lights to activate the LED Light.

Press the Middle of LED Lights again to activate the stronger LED Light.

Press the Middle of LED Lights again to close the light.



Wireless Charging Tray

To use the hidden cup holder: Push the front of the arm ① as illustrated to gain access to the hidden cup holder.

Do Not plug the power cord into a power outlet until your sofa is fully assembled and in placed.

Notes:

- 1) To help prevent shock and or damage to your product only plug the power cord into a grounded outlet.
- 2) Read the operating instructions carefully before operating your sofa.

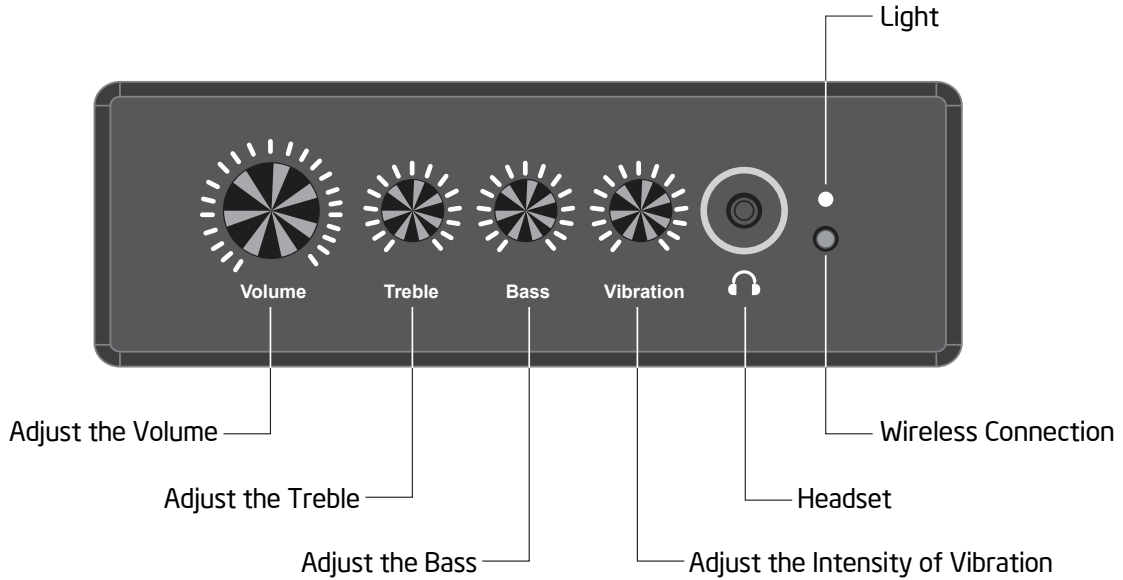
IMPORTANT NOTE

- To avoid any risk of suffocation to children or pets, dispose of all plastic bags immediately.
- To ensure proper performance, occasionally check for loose screws and tighten as needed.

Operating Instructions for Triple Power Sku's

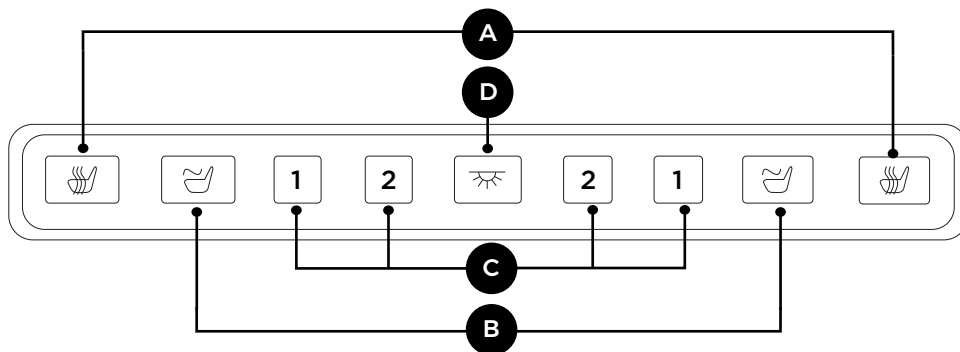
Caution: Read the important instructions below before operating your power mechanized equipment
Do not allow children to play on or operate this power mechanized equipment

Multi Media Control Panel



How to Connect Wireless

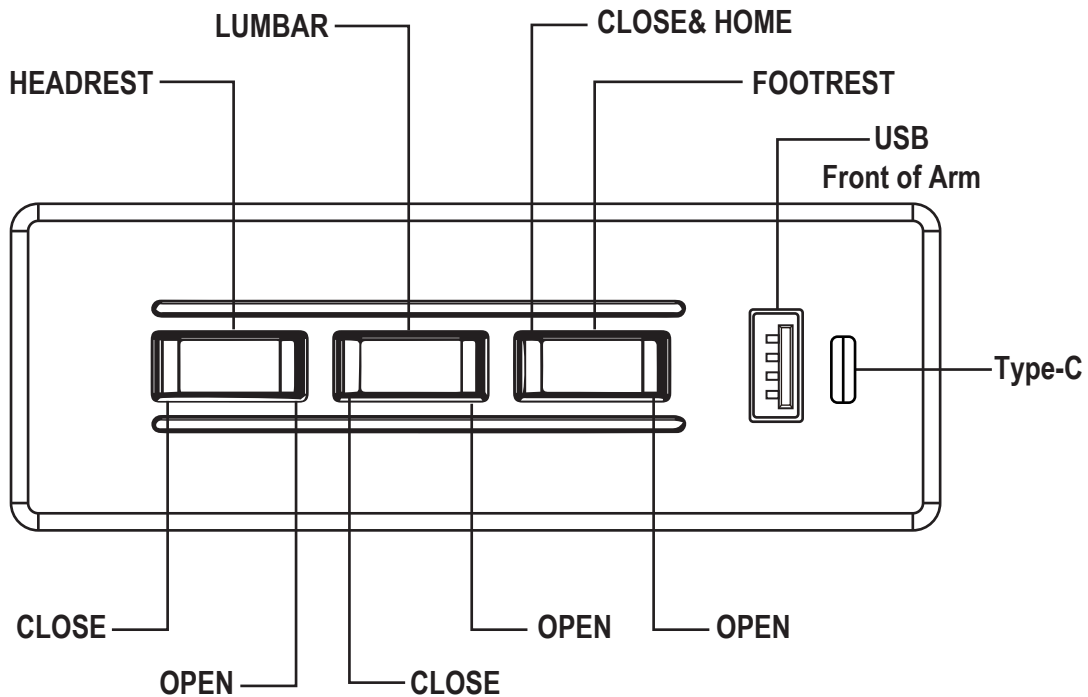
Press and hold the Wireless button, the LEDs on the memory buttons will flash to indicate that the control is in "pair" mode. Switch on the pairing function on your device.



- A HEAT BUTTON**
Press the heat button to activate the heat function.
Press again to cycle intensity through low, medium, and high heat.
- B AIR MASSAGE BUTTON**
Press the air massage button to activate the gentle pressure massage function. Press again to cycle through low, medium, and high intensity.
- C Set Up Memory Function**
To setup memory function, adjust the chair position as the user desires, then press and hold the "1" & "2" together for 4 to 5 seconds, then press "1" or "2" to save the position until you hear a beep sound from the control box, to indicate that setup is complete.
- D Lighting:**
Press the lighting button to open or closed

Operating Instructions for Triple Power Sku's

Caution: Read the important instructions below before operating your power mechanized equipment
Do not allow children to play on or operate this power mechanized equipment



To recline: Sit on the furniture, and press the front of the button closest to the footrest to smoothly raise the footrest and recline to any position. To lower the footrest and return to an upright position, press the back side of the button closest to the footrest.

To adjust headrest: Press the front of the button closest to the backrest to smoothly raise and adjust the headrest to any position. To lower the headrest and return it to its original position, press the back side of the button closest to the backrest.

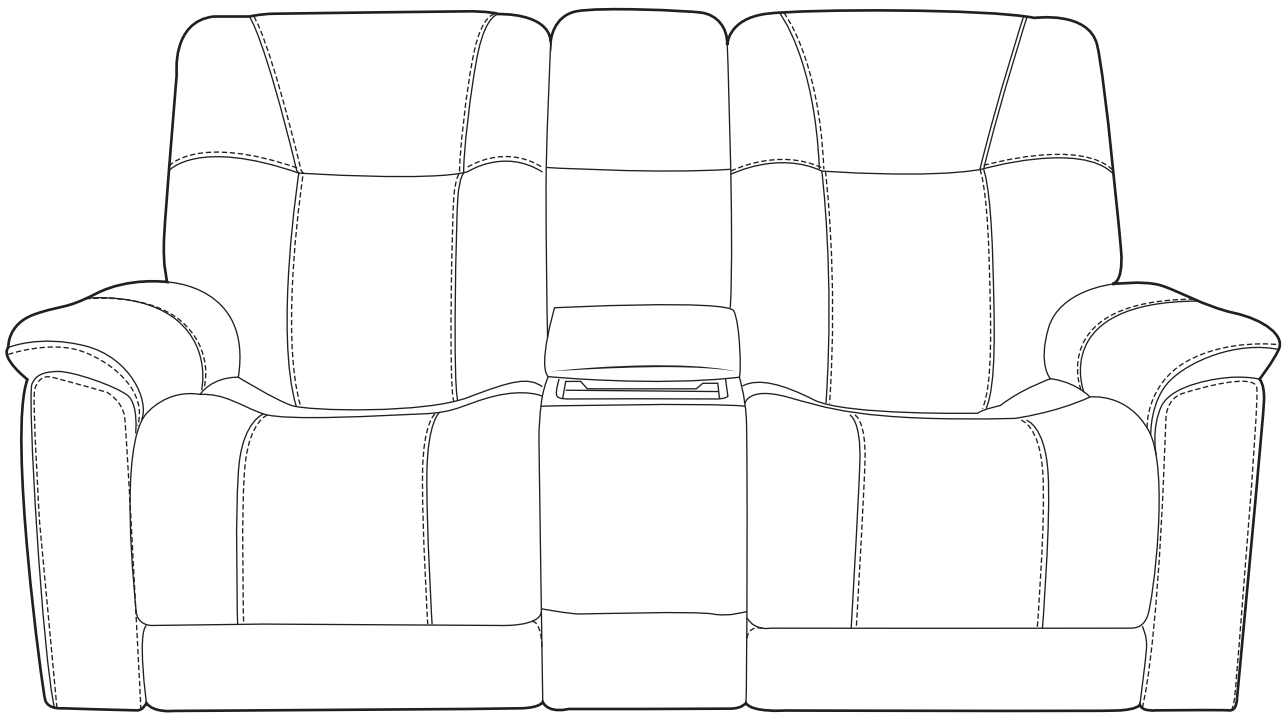
To adjust lumbar support: Press the front of the center button to smoothly raise and adjust the lumbar support to any position. To lower the lumbar support and return it to its original position, press the back side of the center button.

To close all: To simultaneously return the headrest, footrest, and lumbar support to their original positions, press and hold the back side of the button closest to the footrest.

Customer Service

If you have any questions regarding the use of this unit, or find that your unit needs service, please contact your retailer.

Product Protected By Following Patents:
Patented Power Hidden Cupholder
US Patent: 10,681,987
Patented Articulating Power Headrest & Lumbar
Us Patent: 10,736,423



19G88111

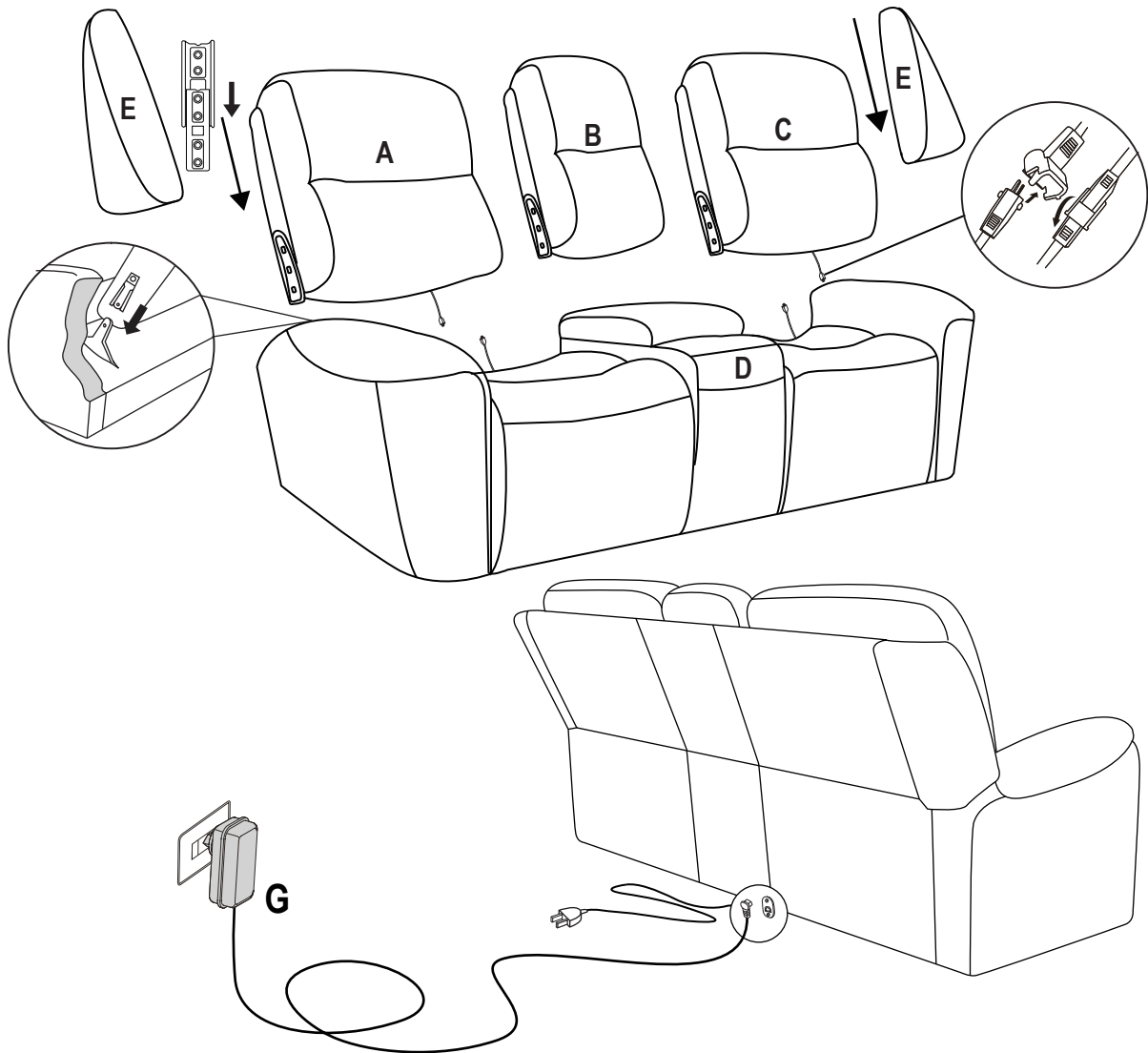
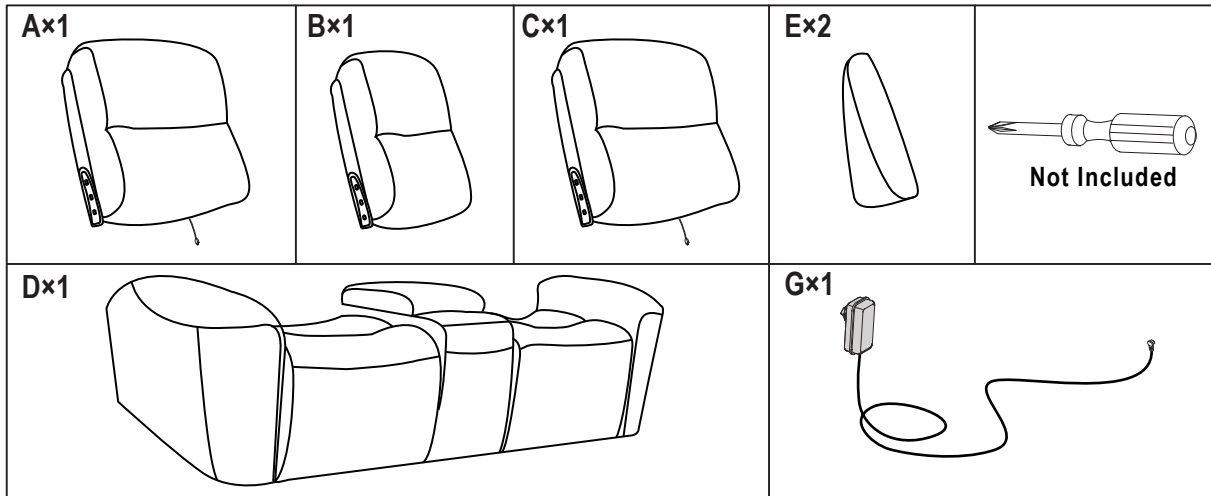
OWNER'S MANUAL

3PWR REC.L/S W/CONS.

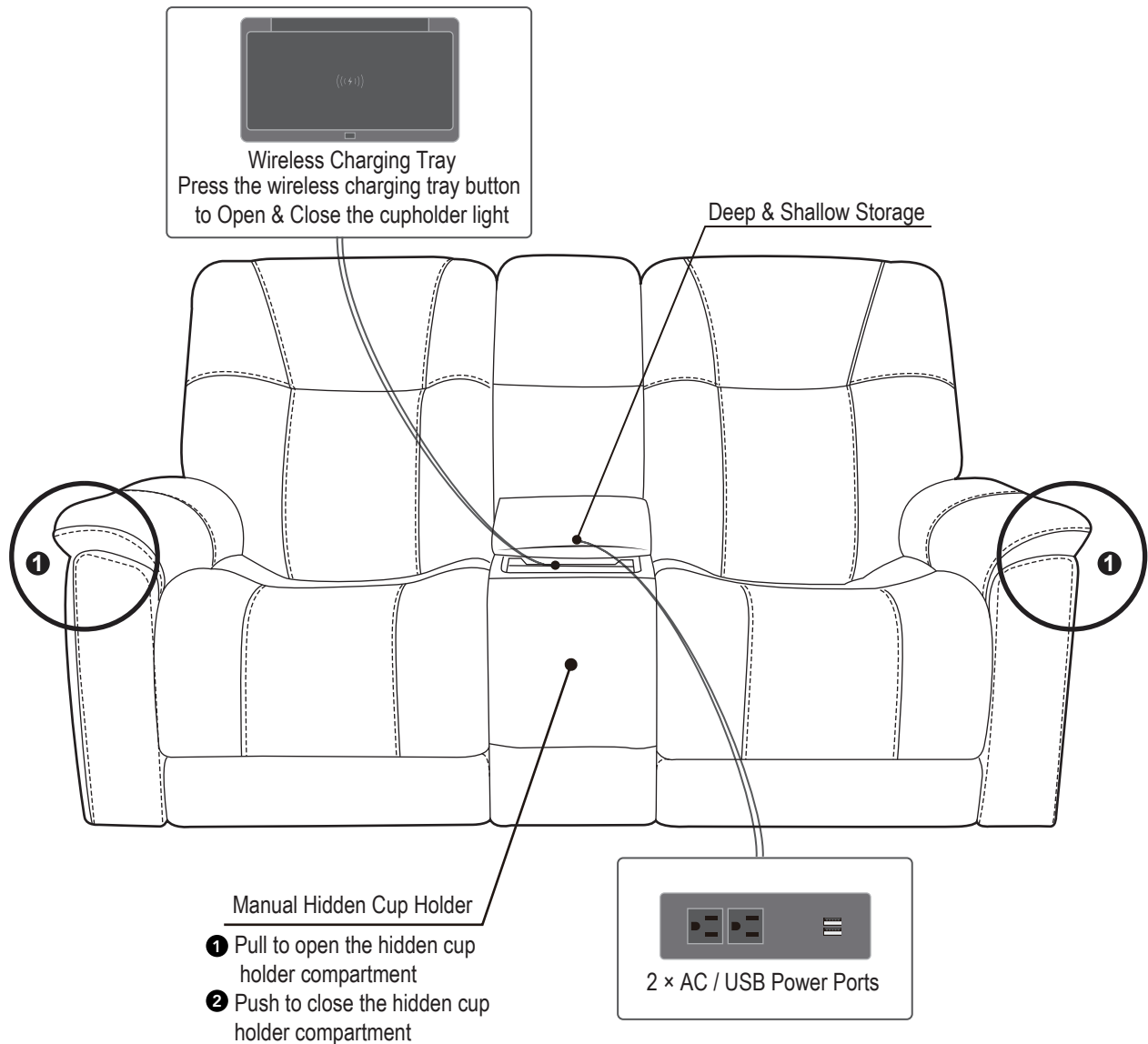
Thank you for purchasing this quality product. Be sure to check all packing material carefully for small parts that may have come loose inside the carton during shipment.

Inside the carton you will find two red plastic bags that have the console loveset's wings in it. Remove the wings from the plastic bag and set them aside to be used in assembly and installation.

Make sure to read the instructions below before assembling your console loveset.



After assembly is complete your product should look as seen below.



Do Not plug the power cord into a power outlet until your sofa is fully assembled and in placed.

Notes:

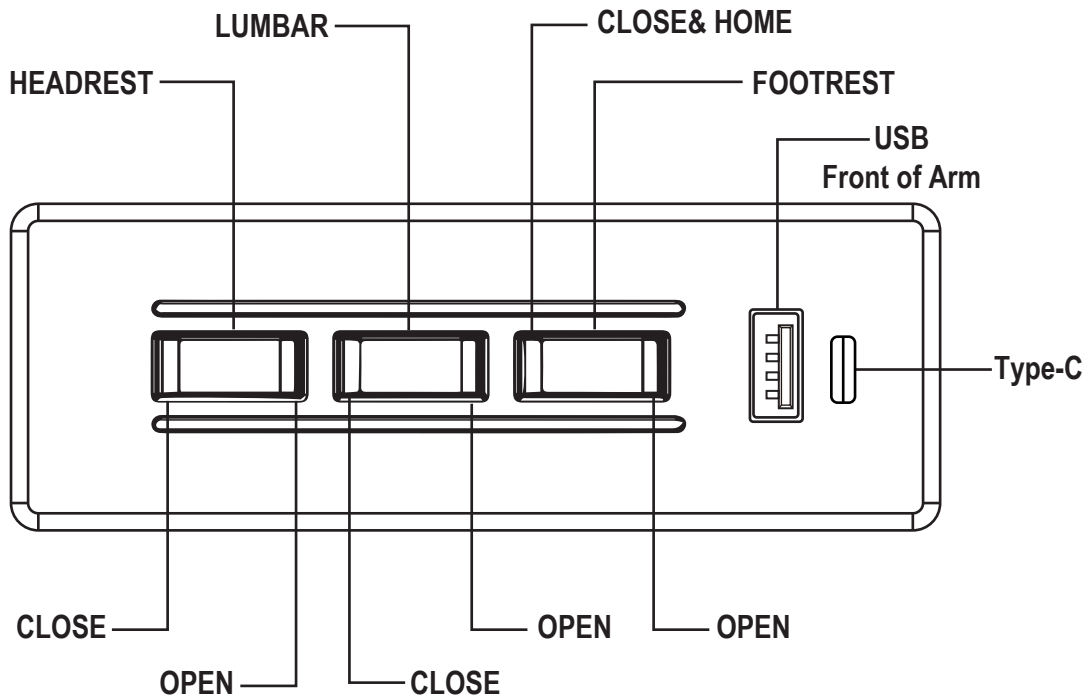
- 1) To help prevent shock and or damage to your product only plug the power cord into a grounded outlet.
- 2) Read the operating instructions carefully before operating your sofa.

IMPORTANT NOTE

- To avoid any risk of suffocation to children or pets, dispose of all plastic bags immediately.
- To ensure proper performance, occasionally check for loose screws and tighten as needed.

Operating Instructions for Triple Power Sku's

Caution: Read the important instructions below before operating your power mechanized equipment
Do not allow children to play on or operate this power mechanized equipment



To recline: Sit on the furniture, and press the front of the button closest to the footrest to smoothly raise the footrest and recline to any position. To lower the footrest and return to an upright position, press the back side of the button closest to the footrest.

To adjust headrest: Press the front of the button closest to the backrest to smoothly raise and adjust the headrest to any position. To lower the headrest and return it to its original position, press the back side of the button closest to the backrest.

To adjust lumbar support: Press the front of the center button to smoothly raise and adjust the lumbar support to any position. To lower the lumbar support and return it to its original position, press the back side of the center button.

To close all: To simultaneously return the headrest, footrest, and lumbar support to their original positions, press and hold the back side of the button closest to the footrest.

Customer Service

If you have any questions regarding the use of this unit, or find that your unit needs service, please contact your retailer.

Product Protected By Following Patents:
Patented Power Hidden Cupholder
US Patent: 10,681,987
Patented Articulating Power Headrest & Lumbar
Us Patent: 10,736,423