

ASSEMBLY INSTRUCTION



STEP ONE
FURNITURE

STOF 3/3 PANEL HEADBOARD

SKU 35427043 - 27014 - 210H

SKU 35427055 - 27015 - 210H

Thank you for purchasing this quality product. Be sure to check all packing material carefully for small parts, which may have come loose inside the carton during shipment. Identify and count all parts and compare with the parts list below:

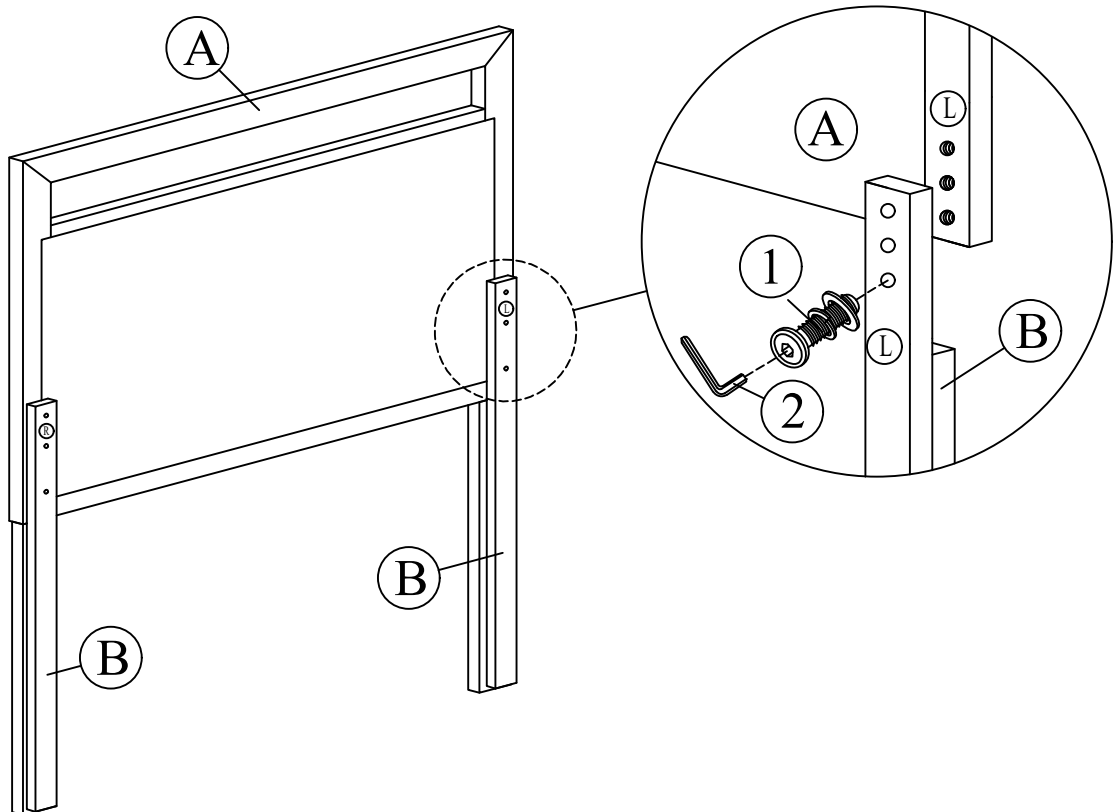
	No.	Picture	Description	Dimension	Qty
Hardware List	①		JCBC (M6) with Spring Washer and Washer	M6 x P1.0 x 40mm	6 Pcs
	②		Allen Key (M4)	4 x 65mm	1 Pc
Part List	No.	Description			Qty
	A	Panel Headboard			1 Pc
	B	Left & Right Headboard Legs			2 Pcs

* Hardware Packed Inside Panel Headboard .

Assembly Step

STEP 1

Align Left & Right Headboard Legs to the Headboard Panel .



ASSEMBLY TIPS:

1. Remove hardware from box and sort by size.
2. Please check to see that all hardware and parts are present prior start of assembly.
3. Please follow attached instructions in the same sequence as numbered to assure fast and easy assembly.

⚠ WARNING!

1. Don't attempt to repair or modify parts that are broken or defective. Please contact the store immediately.
2. This product is for home use only and not intended for commercial establishments.




ASSEMBLY INSTRUCTION

STEP ONE FURNITURE

STOF 3/3 PANEL FOOTBOARD w/SLATS STOF 3/3 - 4/6 SIDE RAILS

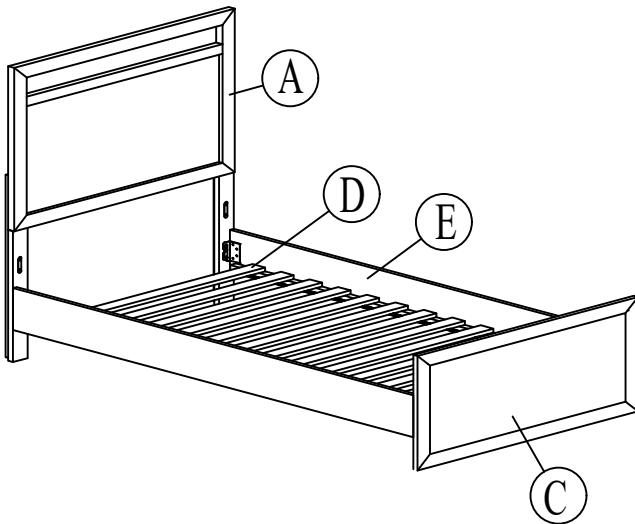
SKU 35627047 - 27014 - 211F
 SKU 35627059 - 27015 - 211F
 SKU 36027046 - 27014 - 930R
 SKU 36027058 - 27015 - 930R

Thank you for purchasing this quality product. Be sure to check all packing material carefully for small parts, which may have come loose inside the carton during shipment. Identify and count all parts and compare with the parts list below:

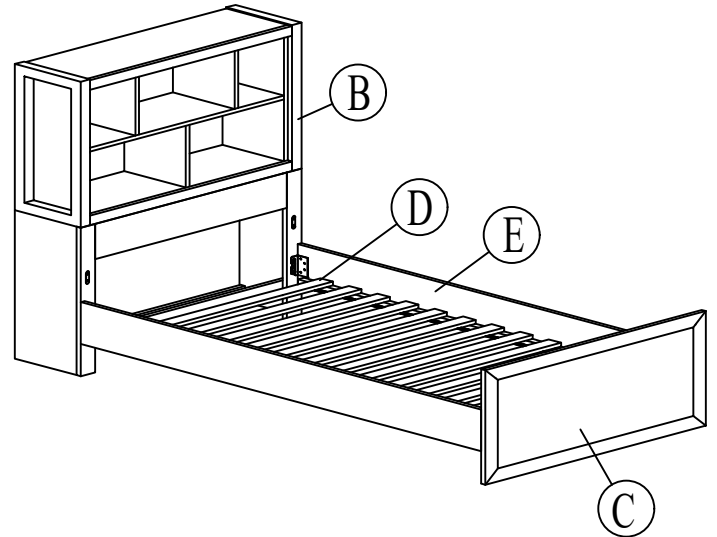
	No.	Picture	Description	Dimension	Qty
Hardware List	①		Screw 1/4 P/H Rattan 8 x 1	32mm	26 Pcs
	②		JCBB (M8 RB) with Spring Washer and Washer	M8 x P1.25 x 25mm	8 Pcs
	③		Allen Key (M5)	5 x 65mm	1 Pc
Part List	No.	Description			Qty
	A	Panel Headboard			1 Pc
	B	Bookcase Headboard			1 Pc
	C	Panel Footboard			1 Pc
	D	Slats Roll (13 Pcs)			1 Roll
E	Side Rails			2 Pcs	

* Hardware Packed Inside Footboard.

Panel Headboard



Bookcase Headboard



ASSEMBLY TIPS:

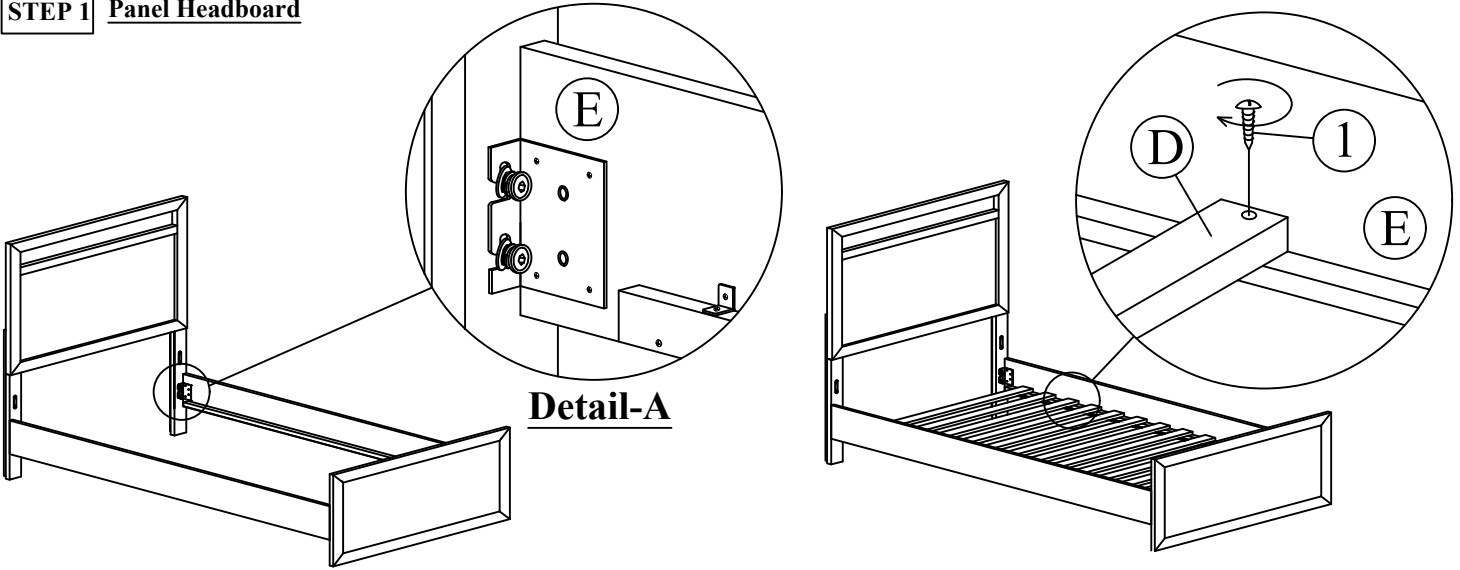
1. Remove hardware from box and sort by size.
2. Please check to see that all hardware and parts are present prior start of assembly.
3. Please follow attached instructions in the same sequence as numbered to assure fast and easy assembly.

WARNING!

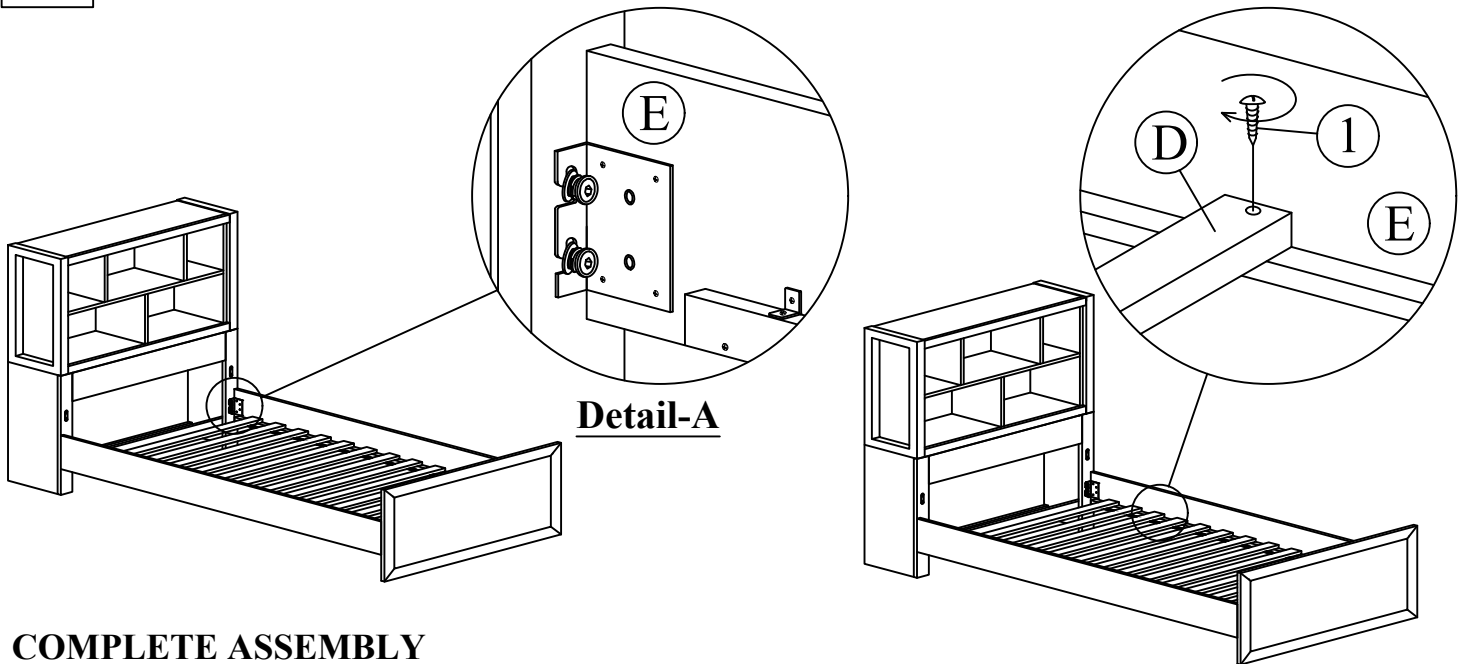
1. Don't attempt to repair or modify parts that are broken or defective. Please contact the store immediately.
2. This product is for home use only and not intended for commercial establishments.

Assembly Step

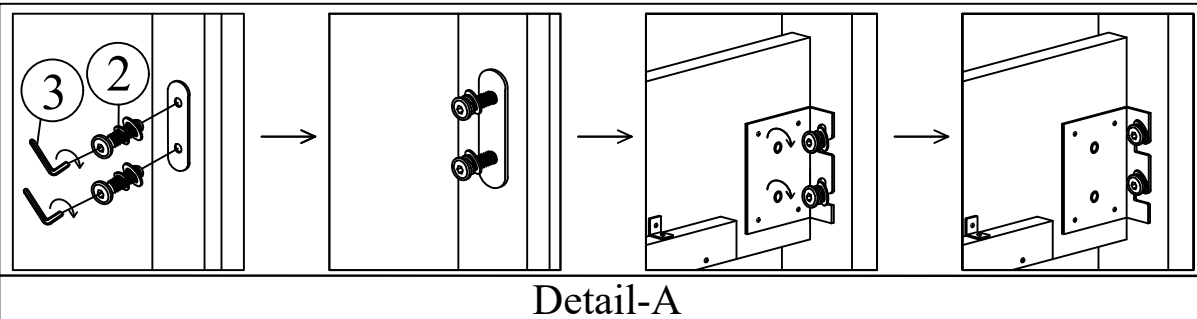
STEP 1 Panel Headboard



STEP 2 Bookcase Headboard



COMPLETE ASSEMBLY



ASSEMBLY TIPS:

1. Remove hardware from box and sort by size.
2. Please check to see that all hardware and parts are present prior start of assembly.
3. Please follow attached instructions in the same sequence as numbered to assure fast and easy assembly.

▲ WARNING!

1. Don't attempt to repair or modify parts that are broken or defective. Please contact the store immediately.
2. This product is for home use only and not intended for commercial establishments.