




# ASSEMBLY INSTRUCTION

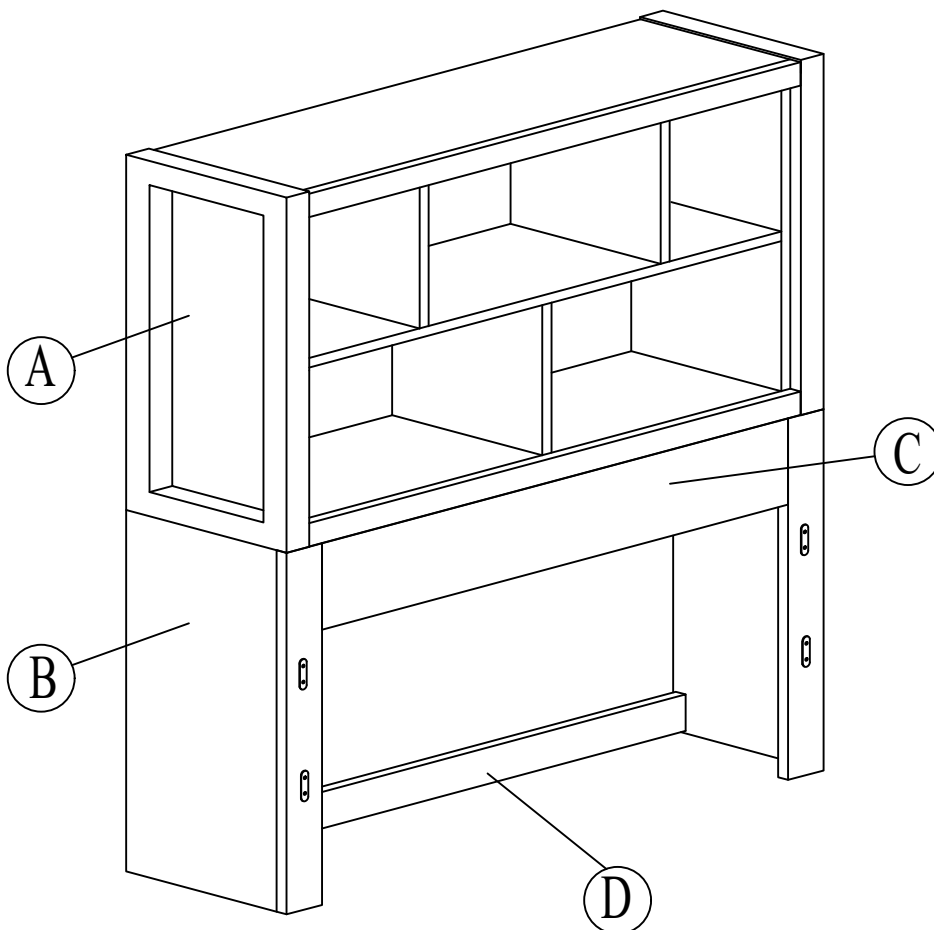
## STEP ONE FURNITURE

**STOF 3/3 BOOKCASE HEADBOARD**  
SKU 35527045 - 27014 - 230H  
SKU 35527057 - 27015 - 230H

**Thank you for purchasing this quality product. Be sure to check all packing material carefully for small parts, which may have come loose inside the carton during shipment. Identify and count all parts and compare with the parts list below:**

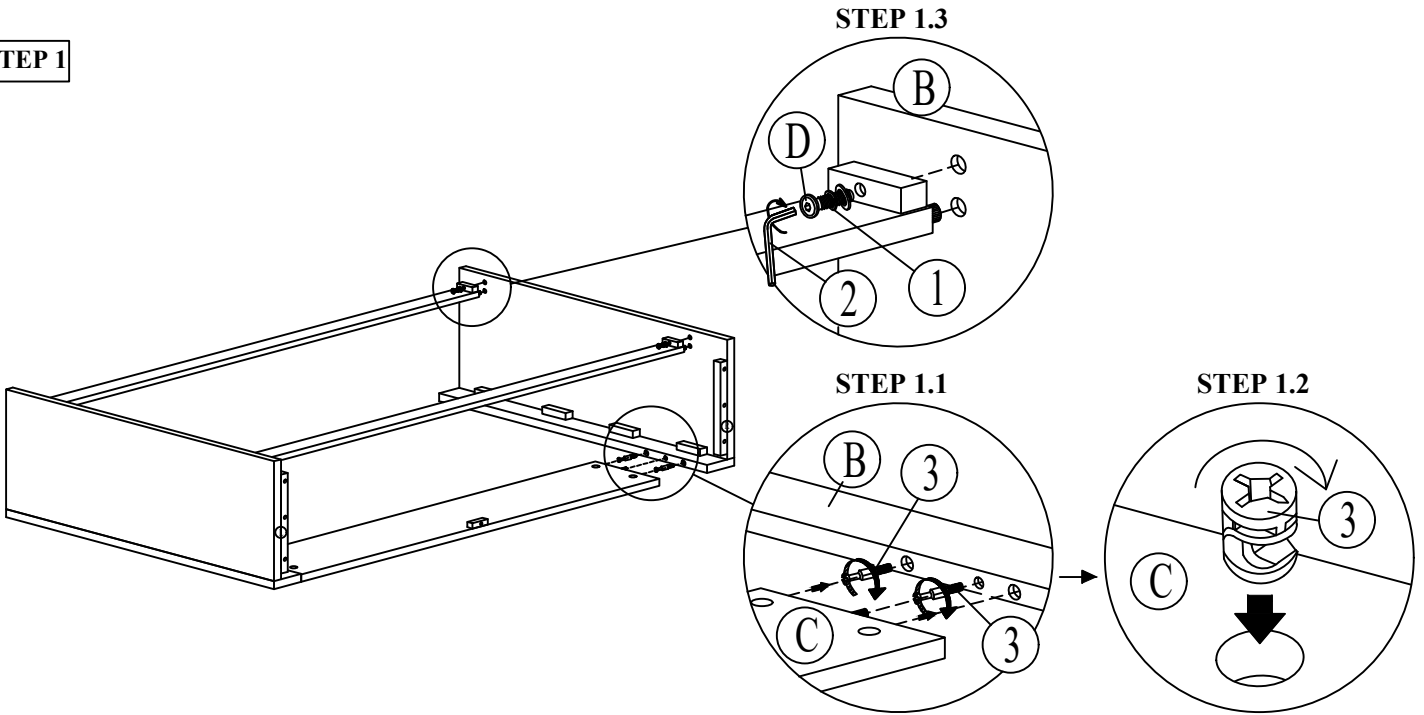
	No.	Picture	Description	Dimension	Qty
Hardware List	①		JCBC (M6) with Spring Washer and Washer	M6 x P1.0 x 35mm	9 Pcs
	②		Allen Key (M4)	4 x 65mm	1 Pc
	③		FITTING-SYSTEM 5 (05656 + KT-5746)	-	4 Pcs
Part List	No.	Description			Qty
	A	Bookcase Headboard			1 Pc
	B	Side Panel (L) & (R)			2 Pcs
	C	Front Support Rail			1 Pc
	D	Back Support Rail			2 Pcs

\* Hardware Packed Inside Bookcase Headboard .

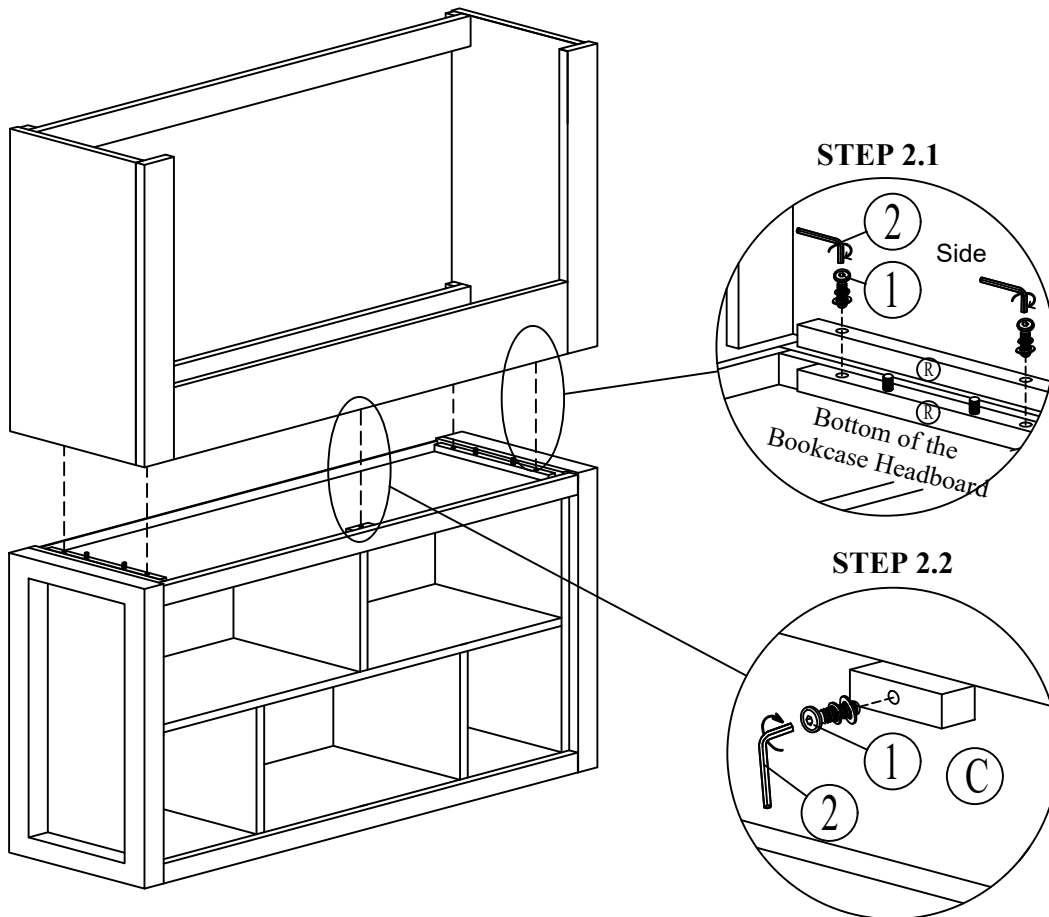


# Assembly Step

## STEP 1



## STEP 2



### ASSEMBLY TIPS:

1. Remove hardware from box and sort by size.
2. Please check to see that all hardware and parts are present prior start of assembly.
3. Please follow attached instructions in the same sequence as numbered to assure fast and easy assembly.

### ⚠ WARNING!

1. Don't attempt to repair or modify parts that are broken or defective. Please contact the store immediately.
2. This product is for home use only and not intended for commercial establishments.

# ASSEMBLY INSTRUCTION

## STEP ONE FURNITURE

## STOF 3/3 PANEL FOOTBOARD w/SLATS STOF 3/3 - 4/6 SIDE RAILS




SKU 35627047 - 27014 - 211F

SKU 35627059 - 27015 - 211F

SKU 36027046 - 27014 - 930R

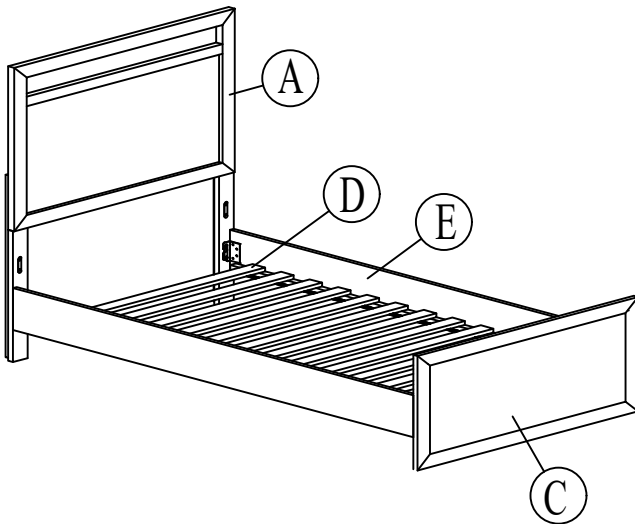
SKU 36027058 - 27015 - 930R

Thank you for purchasing this quality product. Be sure to check all packing material carefully for small parts, which may have come loose inside the carton during shipment. Identify and count all parts and compare with the parts list below:

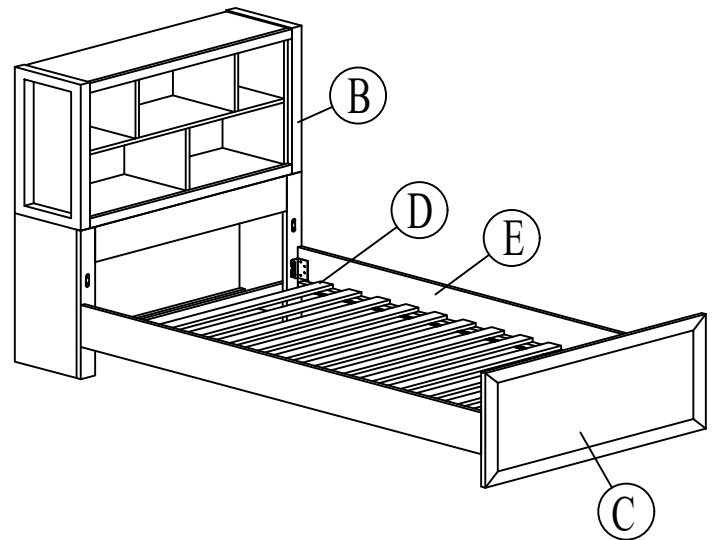
	No.	Picture	Description	Dimension	Qty
Hardware List	①		Screw 1/4 P/H Rattan 8 x 1	32mm	26 Pcs
	②		JCBB (M8 RB) with Spring Washer and Washer	M8 x P1.25 x 25mm	8 Pcs
	③		Allen Key (M5)	5 x 65mm	1 Pc
Part List	No.	Description			Qty
	A	Panel Headboard			1 Pc
	B	Bookcase Headboard			1 Pc
	C	Panel Footboard			1 Pc
	D	Slats Roll (13 Pcs)			1 Roll
E	Side Rails			2 Pcs	

\* Hardware Packed Inside Footboard.

### Panel Headboard



### Bookcase Headboard



#### ASSEMBLY TIPS:

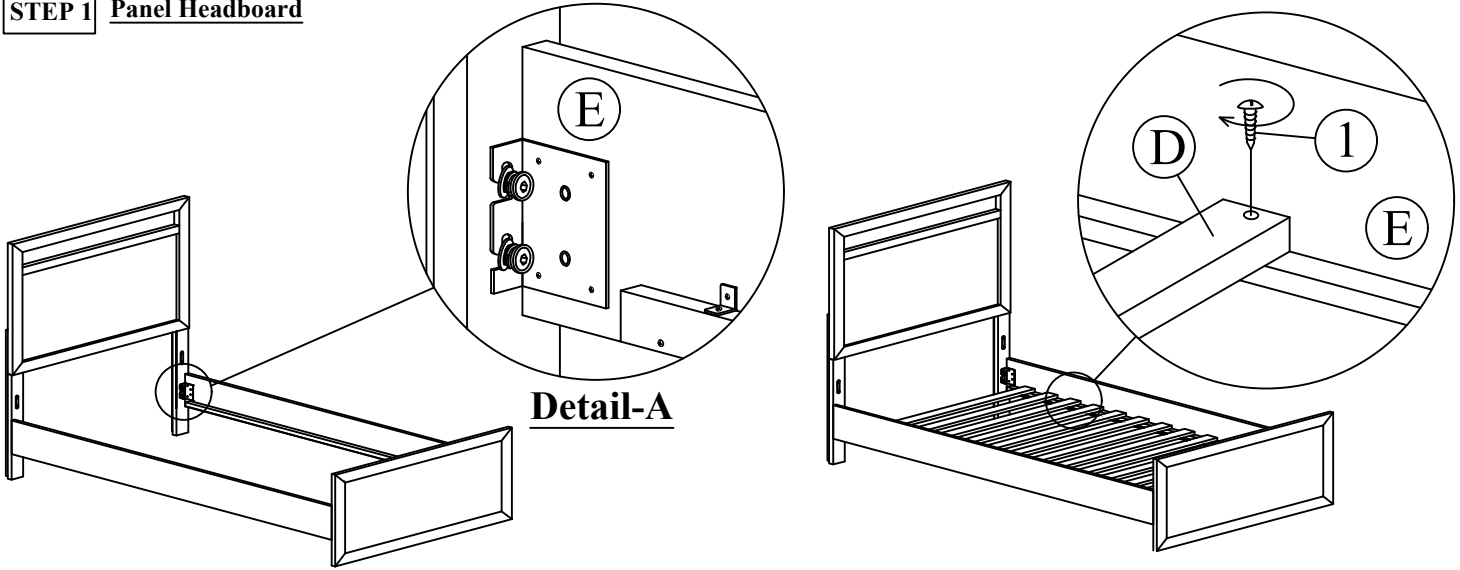
1. Remove hardware from box and sort by size.
2. Please check to see that all hardware and parts are present prior start of assembly.
3. Please follow attached instructions in the same sequence as numbered to assure fast and easy assembly.

#### WARNING!

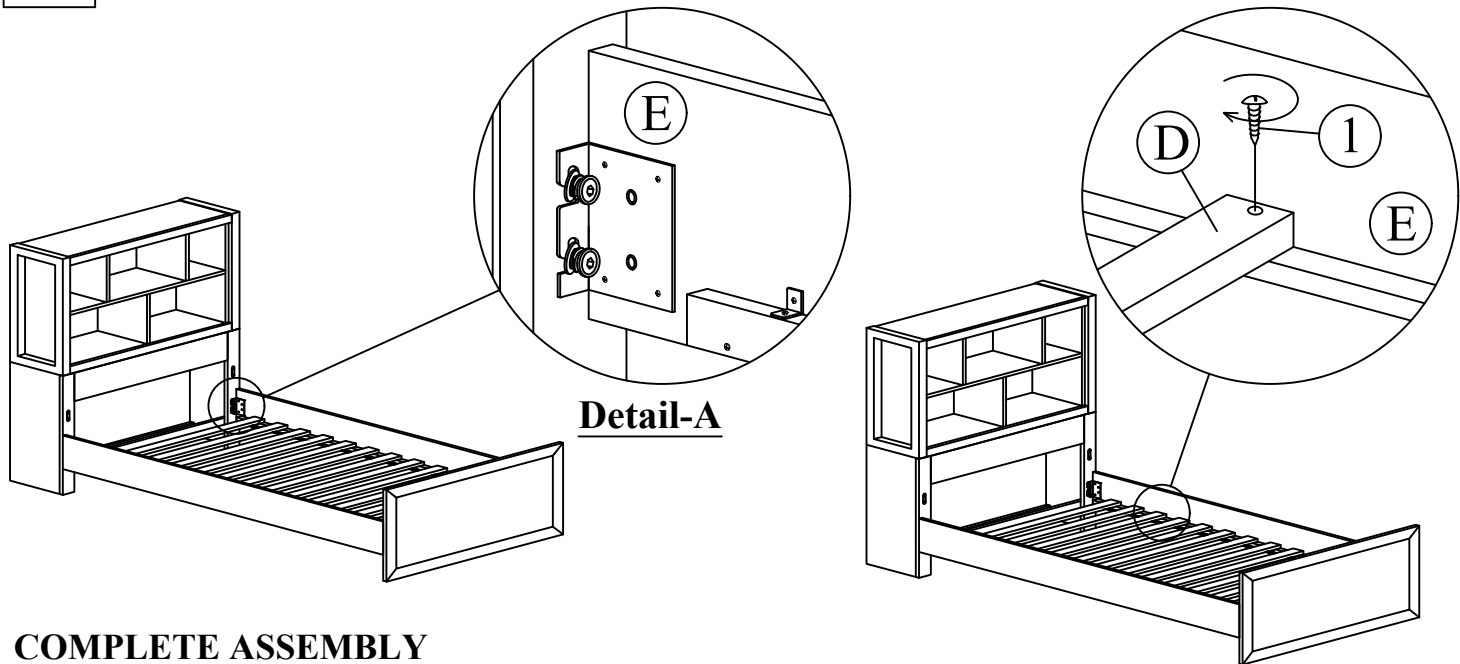
1. Don't attempt to repair or modify parts that are broken or defective. Please contact the store immediately.
2. This product is for home use only and not intended for commercial establishments.

## Assembly Step

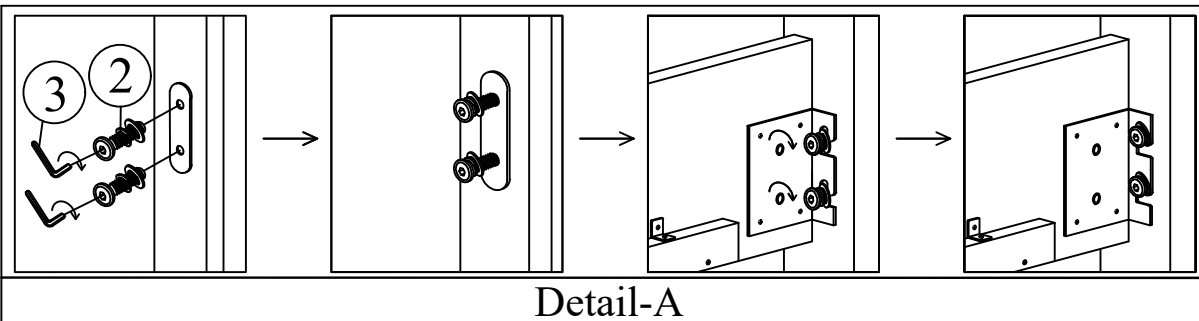
### STEP 1 Panel Headboard



### STEP 2 Bookcase Headboard



### COMPLETE ASSEMBLY



Detail-A

#### ASSEMBLY TIPS:

1. Remove hardware from box and sort by size.
2. Please check to see that all hardware and parts are present prior start of assembly.
3. Please follow attached instructions in the same sequence as numbered to assure fast and easy assembly.

#### ▲ WARNING!

1. Don't attempt to repair or modify parts that are broken or defective. Please contact the store immediately.
2. This product is for home use only and not intended for commercial establishments.