

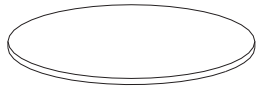


PART LIST

ASSEMBLY INSTRUCTION

5606-45RD DINING TABLE

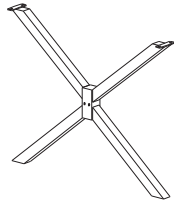
A



Top

1PC

B



Center Leg

1PC

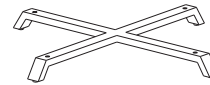
C



Side Leg

2PCS

D

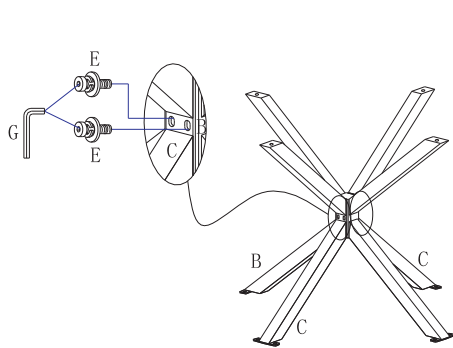


Base

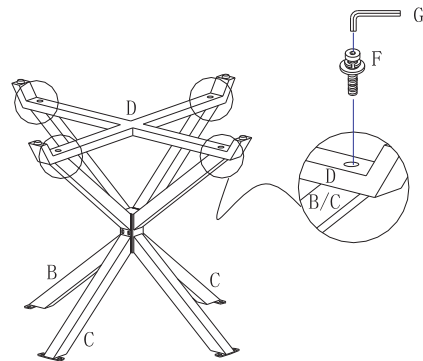
1PC

HARDARE LIST				
E		Bolt with Lock Washer and Flat Washer	1/4"X20mm	12pcs
F		Bolt with Lock Washer and Flat Washer	1/4"X40mm	4pcs
G		L-Allen Key	4mm	1pc

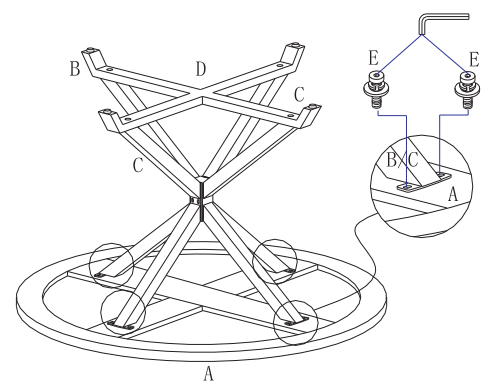
STEP 1



STEP 2



STEP 3



STEP 4



For items use on wooden floor, hard surfaces or carpets, it is recommended to Install protective pads under all legs and supports to avoid/prevent from damages/scratches and discoloration.