
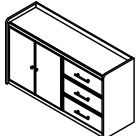
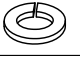


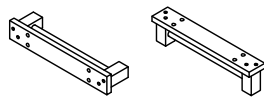
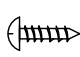


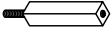

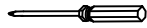


Thank you for purchasing this quality product . Be sure to check all packing material carefully for small parts which may have come loose inside the carton during shipment .Identify and count all parts and compare with the parts list below .

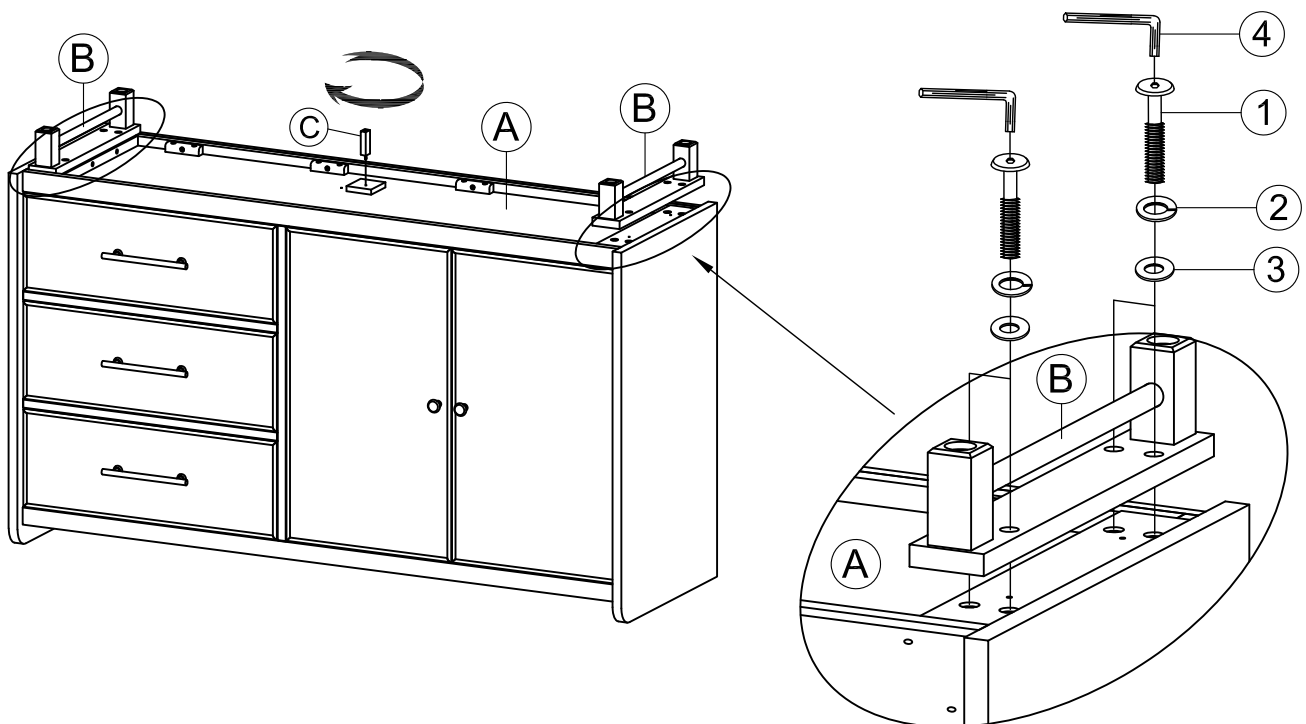
HARDWARE LIST				PARTS LIST			
NO				NO			
1		Bolt Ø1/4" x 32 mm	8 pcs	A		SIDEBOARD	1 pc
2		Spring Washer Ø5/16" x 12 mm	8 pcs				
3		Flat Washer Ø5/16" x 14 mm	8 pcs				
4		Allen Key 58x23x4 mm	1 pc	B		LEGS	2 pcs
5		Short Screw Ø9 x Ø4 x 15mm	1 pc				
6		Long Screw Ø9x Ø4x50mm	1 pc				
7		Metal Brace 25x13x1.5mm	2 pcs	C		CENTER LEG	1 pc
8		Steel Cable 251mm	1 pc				

TOOLS REQUIRED (NOT PROVIDED)

Phillips Screwdriver



STEP 1



STEP 2

