

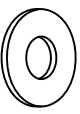






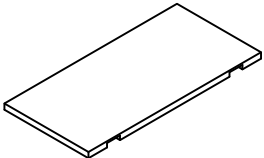
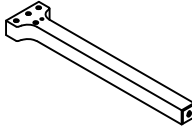
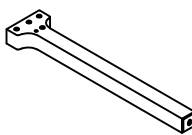
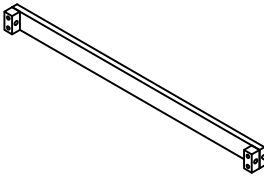


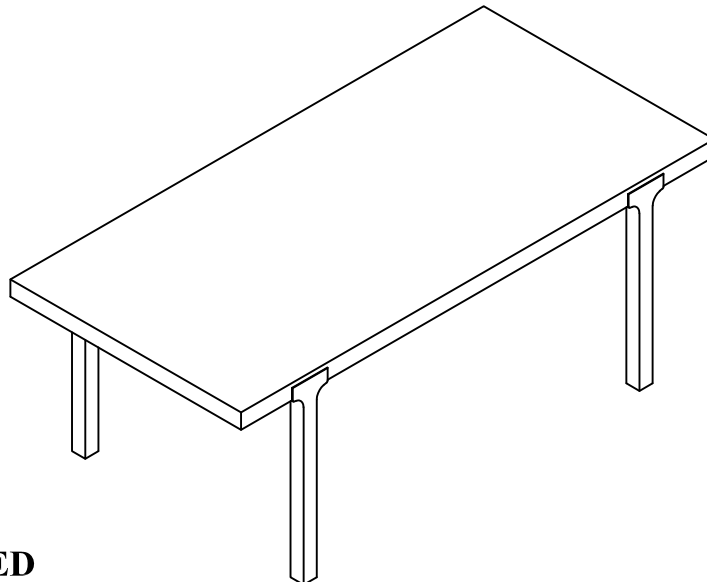
ITEM NO: ST8022-30720  
Leg Table Oak

Thank you for purchasing this quality product . Be sure to check all packing material carefully for small parts which may have come loose inside the carton during shipment .Identify and count all parts and compare with the parts list below .

**WARNING:** To avoid alignment issue, please don't tighten the screws unless all legs are adjusted at the same level.

NO	HARDWARE LIST/ LISTE DE QUINCAILLERIE		
1		Bolt $\phi 5/16"$ - 18 x 2-1/4" Boulon $\phi 5/16"$ - 18 x 2-1/4"	12 PCS 12 Pièces
1		Spring washer $\phi 5/16"$ x 1/2"x 1/16" Rondelle de ressort $\phi 5/16"$ x 1/2"x 1/16"	12 PCS 12 Pièces
1		Flat Washer $\phi 5/16"$ x 3/4"x 1/16" Rondelle plate $\phi 5/16"$ x 3/4"x 1/16"	12 PCS 12 Pièces
2		Bolt $\phi 5/16"$ - 18 x 2-1/4" Boulon $\phi 5/16"$ - 18 x 2-1/4"	4 PCS 4 Pièces
2		Spring washer $\phi 5/16"$ x 1/2"x 1/16" Rondelle de ressort $\phi 5/16"$ x 1/2"x 1/16"	4 PCS 4 Pièces
2		Flat Washer $\phi 5/16"$ x 1/2"x 1/16" Rondelle plate $\phi 5/16"$ x 1/2"x 1/16"	4 PCS 4 Pièces
3		Allen Key 5/32" Clé Allen 5/32"	1 PC 1 Pièce

NO	PARTS LIST/ LISTE DE PIÈCES HD0524-160		
A		Table Top Dessus de table	1 PC 1 Pièce
B		Table Legs (Left) Pieds (Gauche)	2 PCS 2 Pièces
C		Table Legs (Right) Pieds (Droit)	2 PCS 2 Pièces
D		Stretcher Barreau	2 PCS 2 Pièces

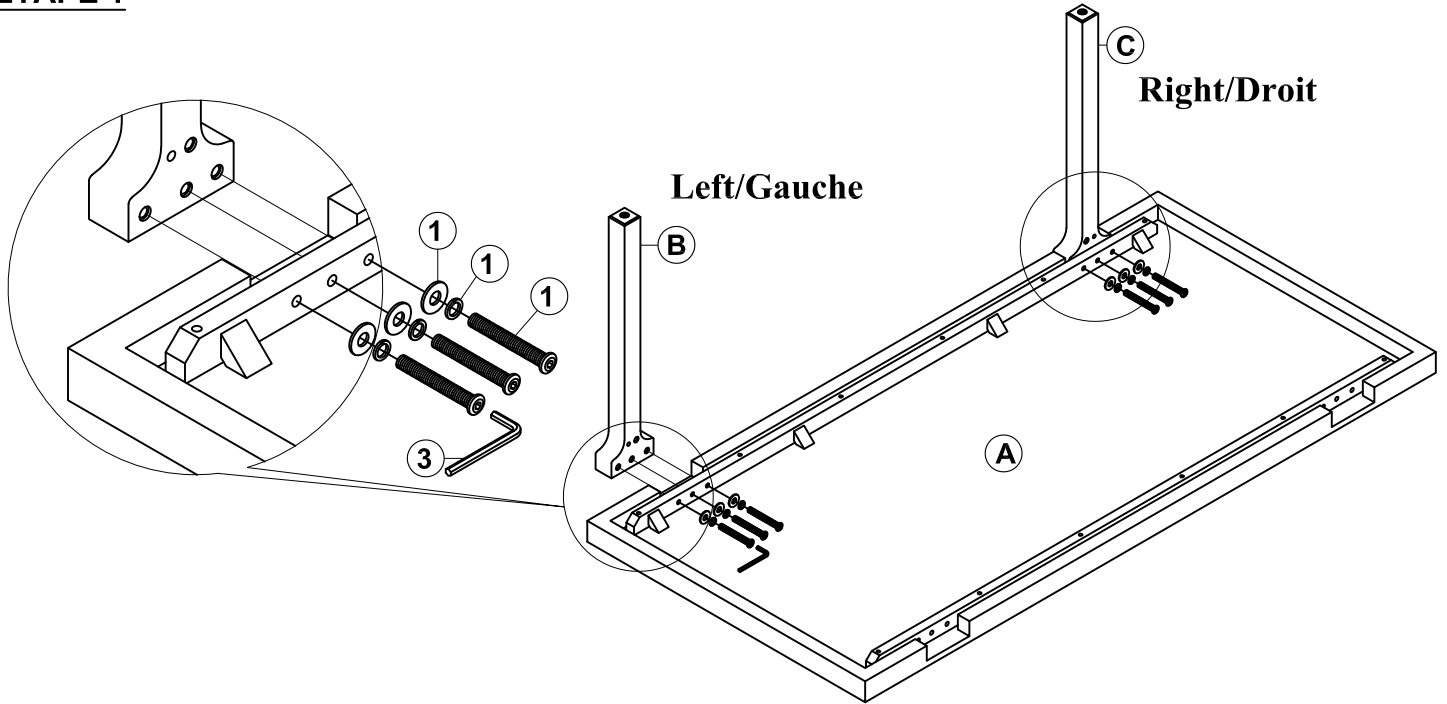


**ASSEMBLY COMPLETED**



Thank you for purchasing this quality product . Be sure to check all packing material carefully for small parts which may have come loose inside the carton during shipment .Identify and count all parts and compare with the parts list below .

### STEP 1 ÉTAPE 1



### STEP 2 ÉTAPE 2

