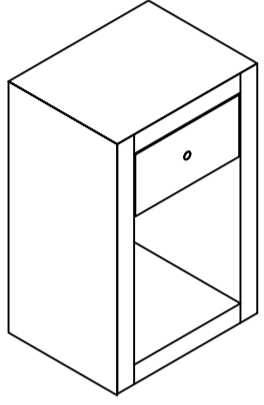


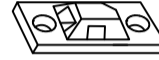

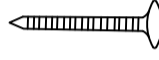

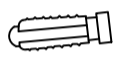
ASSEMBLY INSTRUCTIONS

RSTQ-2181

PART LISTS

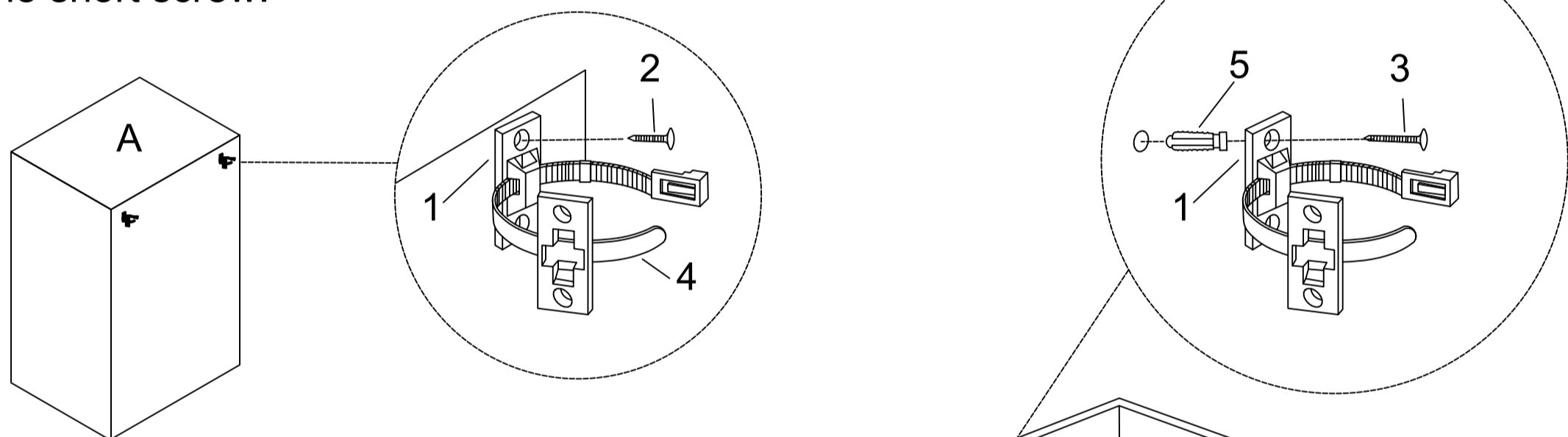
NO	DESCRIPTION	FIGURE	QTY
A	Nightstand		1PC

HARDWARE LISTS

NO	SHAPE	SPECIFICATION	QTY
1		Wall Bracket 44x20mm	4PCS
2		Short Screw M4*16mm	4PCS
3		Long Screw M4*30mm	4PCS
4		Nylon Strap M8*250mm	2PCS
5		Plastic Screw Anchor M6*30mm	4PCS

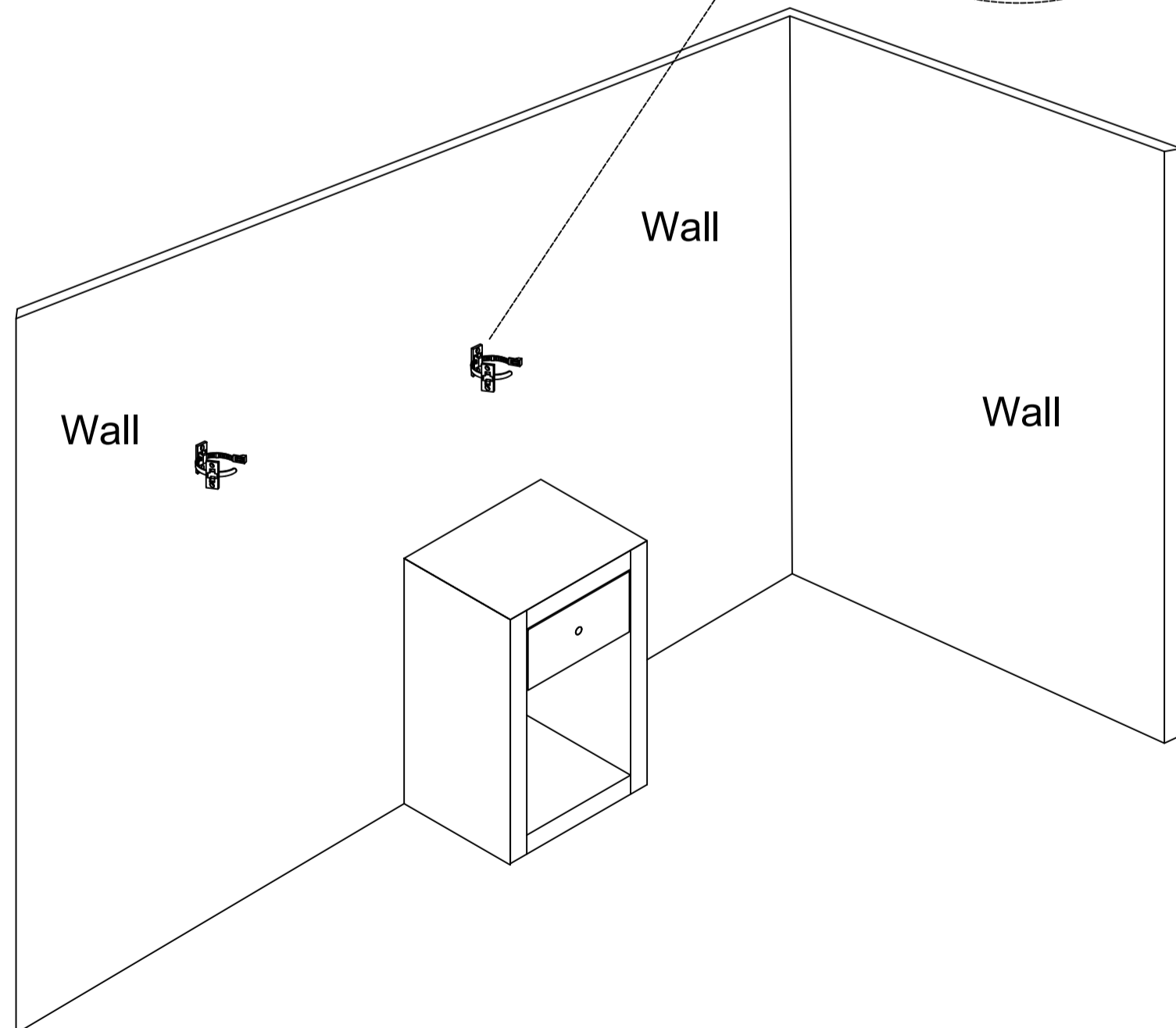
STEP 1

Fix a bracket to the back top edge of the nightstand with the short screw.



STEP 2

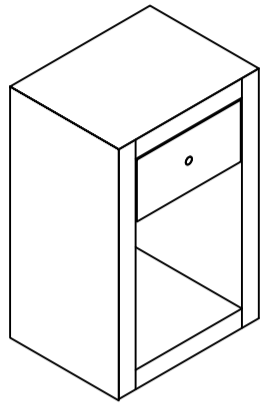
Punch a hole in the wall at the proper location, place the plastic screw anchor lightly into the wall hole, then use long screw to fix the other bracket to the wall. Finally, use nylon strap to lace the nightstand to the wall bracket.



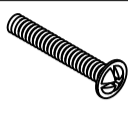

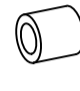
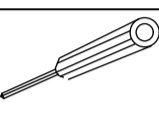
Assembly Instructions

RSTQ-2181

PART LISTS

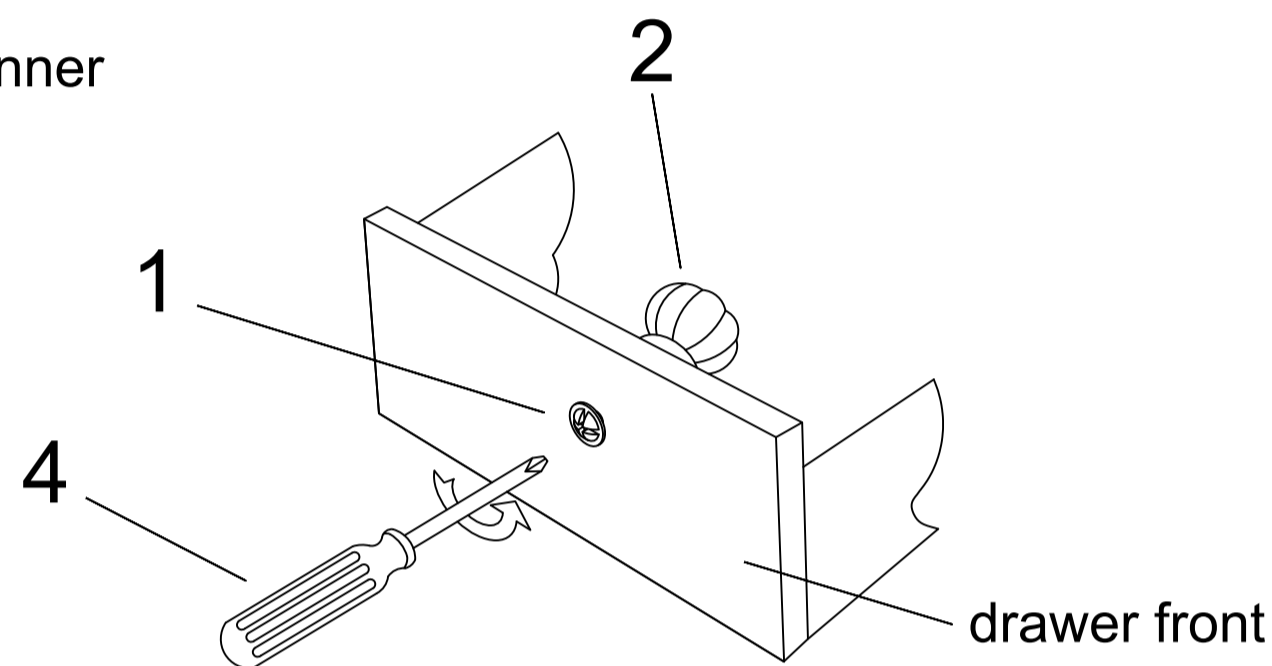
NO	DESCRIPTION	FIGURE	QTY
A	Nightstand		1PC

HARDWARE LISTS

NO	SHAPE	SPECIFICATION	QTY
1		Screw M4 x 35mm	1PCS
2		Knob ϕ 28mm	1PCS
3		Plastic Nub ϕ 9x10mm (for Drawer Front)	1PCS
4		Screwdriver 21*170mm	1PC

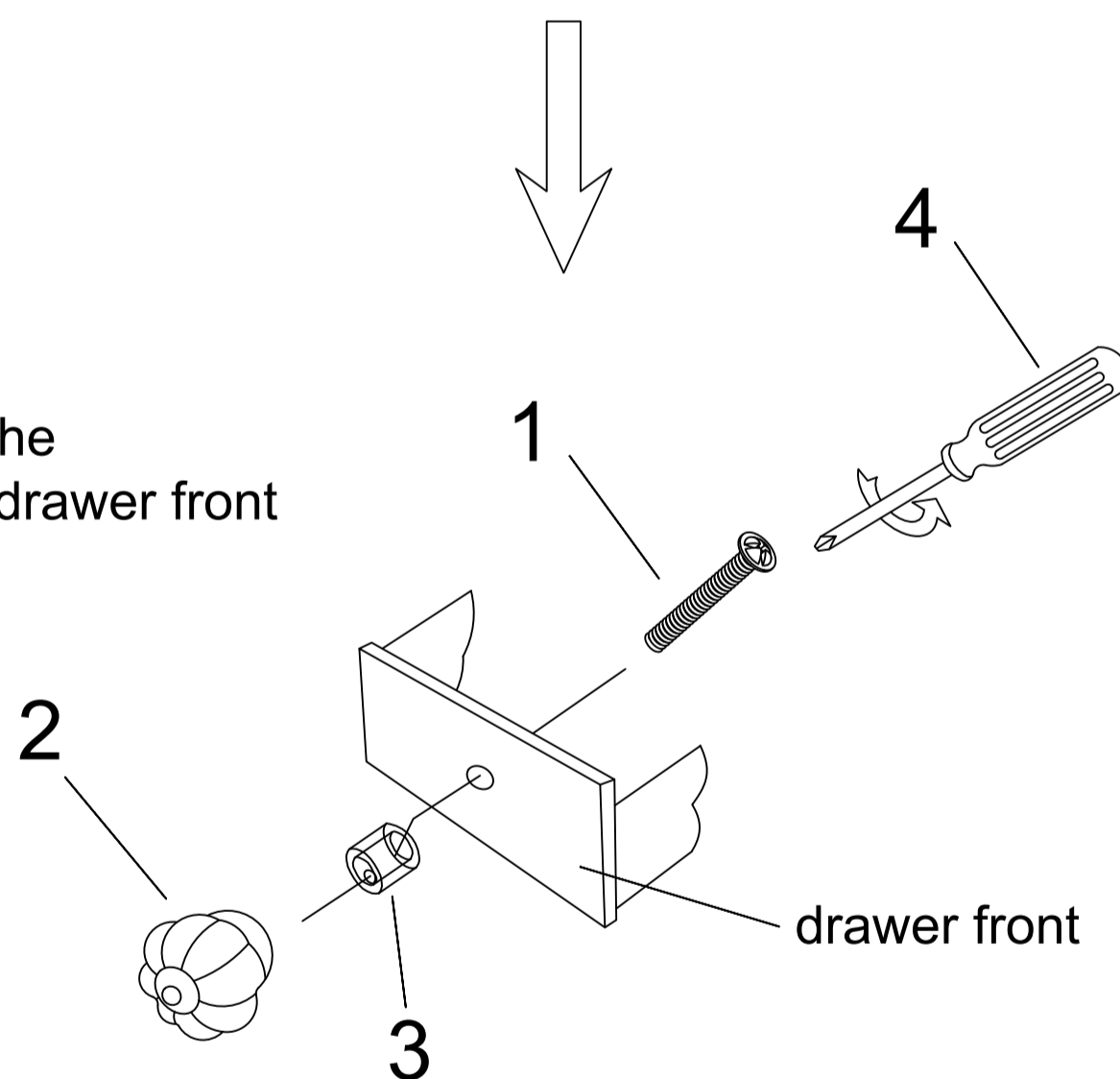
STEP 1

Remove the knob from inner drawer front



STEP 2

Re-install the knob to the correct position at the drawer front



Attention:

When the customer installs the knob, do not fix the screw too tightly to avoid cracking the glass on the drawer surface.