

ASSEMBLY INSTRUCTIONS





MODEL : HD1688 - 490 - 5/0 PANEL HEADBOARD
HD1688 - 540 - 6/6 PANEL HEADBOARD

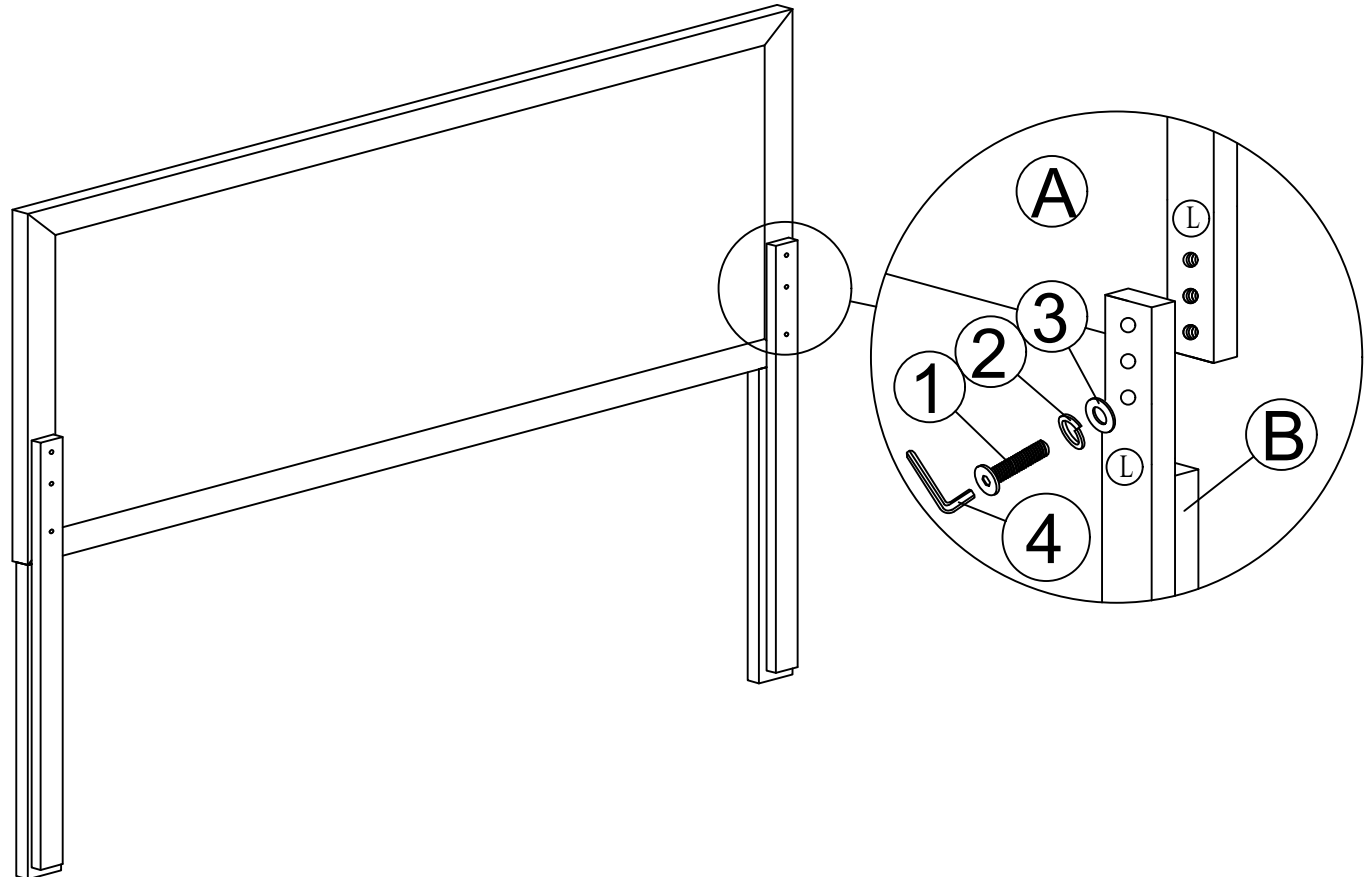
DOC. NO : RD-F05-AT
REV. NO : A
REV. DATE : 01.01.2017

COMPONENT LIST

NO.	Descriptions	Qty.
A	Headboard (packed Inside HB/POST)	1
B	Headboard Post (packed Inside HB/POST)	2

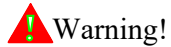
HARDWARE LIST (Packed Inside HB)

No.	Description	Dimension	Picture	Qty.
1	JCBC Bolt	M6 x 1.0 x 40MM		6
2	Spring Washer	M6		6
3	Flat Washer	M6		6
4	Allen Key	4 x 60MM		1



ASSEMBLY TIPS:

- 1.Remove hardware from box and sort by size.
- 2.Please check to see that all hardware and parts are present prior start of assembly.
- 3.Please follow attached instructions in the same sequence as numbered to assure fast and easy assembly.



Warning!

- 1.Don't attempt to repair or modify parts that are broken or defective.Please contact the store immediately.
- 2.This product is for home use only and not intended for commercial establishments.

ASSEMBLY INSTRUCTIONS

MODEL : HD1688 511 - 5/0 - 6/6 STORAGE RAILS

DOC. NO : RD-F05-AT
REV. NO : A
REV. DATE : 01.01.2017

COMPONENT LIST (QUEEN SIDE RAILS)

NO.	Descriptions	Qty.
A	Side Rails (packed Inside RAILS)	2
B	Roll Slats (5 Pcs) (packed Inside FB/POST/SLATS)	2 Set
C	Slat Support (packed Inside FB/POST/SLATS)	4

COMPONENT LIST (KING SIDE RAILS)

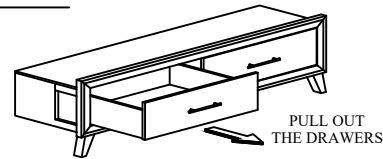
NO.	Descriptions	Qty.
A	Side Rails (packed Inside RAILS)	2
B	Roll Slats (5 Pcs) (packed Inside FB/POST/SLATS)	2 Set
C	Slat Support (packed Inside FB/POST/SLATS)	8

HARDWARE LIST (Packed Inside RAILS)

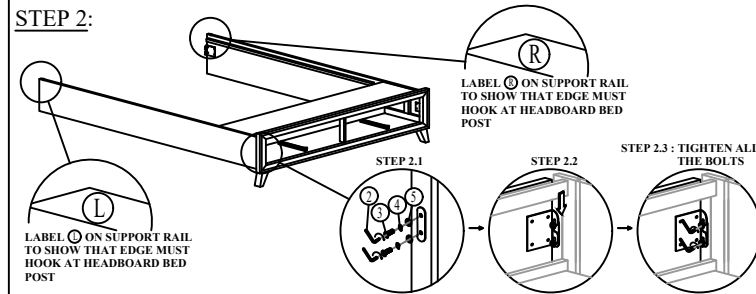
NO.	Descriptions	Qty.	
1	Screw 1/4 P/H Rattan 8x1	32MM	20
2	Allen Key	M5 x 65MM	1
3	JCBC Screw	M8 x 1.25 x 25MM	8
4	Flat Washer	M8	8
5	Spring Washer	M8	8

QUEEN SIDE RAILS

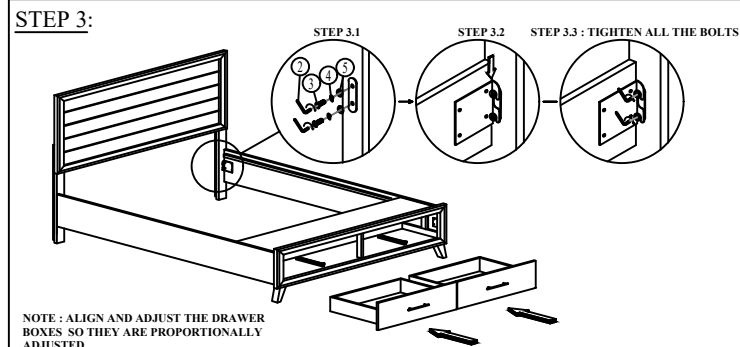
STEP 1:



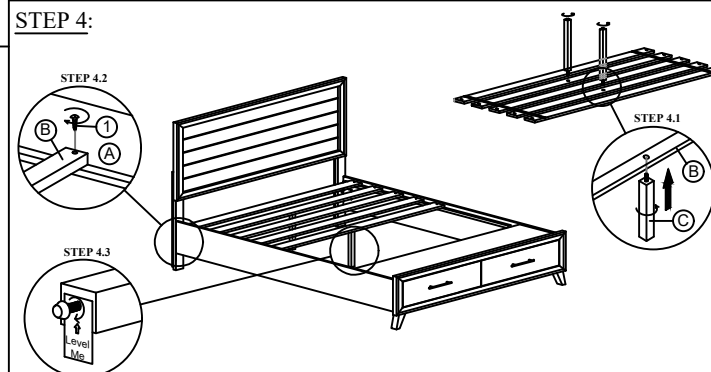
STEP 2:



STEP 3:

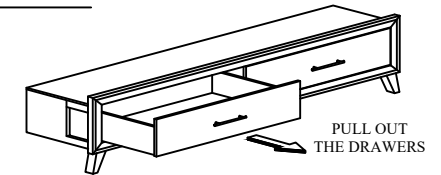


STEP 4:

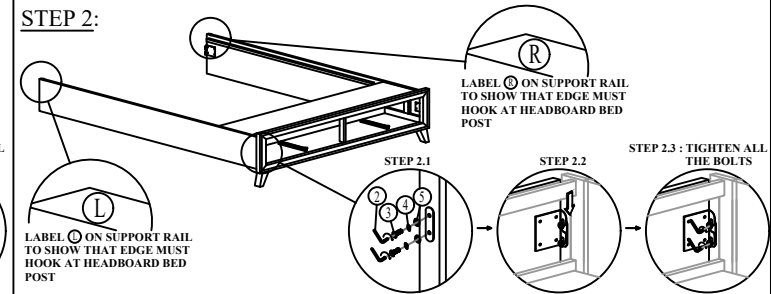


KING SIDE RAILS

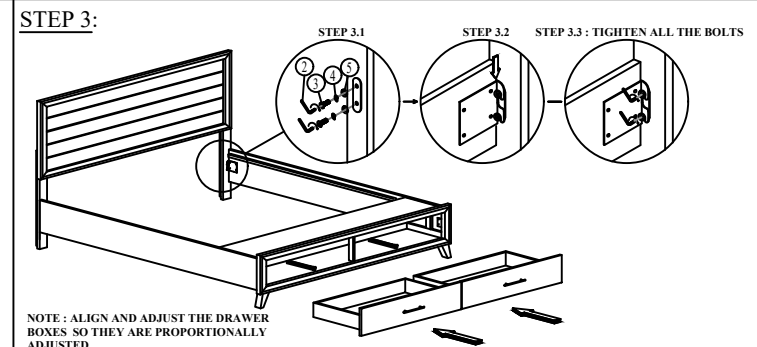
STEP 1:



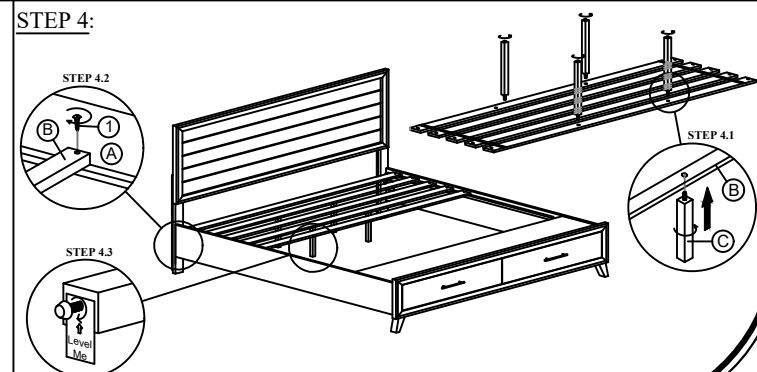
STEP 2:



STEP 3:

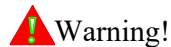


STEP 4:



ASSEMBLY TIPS:

- 1.Remove hardware from box and sort by size.
- 2.Please check to see that all hardware and parts are present prior start of assembly.
- 3.Please follow attached instructions in the same sequence as numbered to assure fast and easy assembly.



Warning!

- 1.Don't attempt to repair or modify parts that are broken or defective.Please contact the store immediately.
- 2.This product is for home use only and not intended for commercial establishments.