



36" Front Control Freestanding Gas Range

Gas Range

Available Products: PCFG3670AF

Available Colors: Stainless Steel

Version: 07/22

Product Specifications

Cooktop

Cooking Surface Type	Gas
Grate Material	Cast Iron
Grate Quantity	3
Grate Style	Continuous
Sealed Burners	Yes

Cooking Controls

Bake	Yes
Bread Proof	Yes
Broil	Yes
Child Lock	Yes
Convection Bake	Yes
Convection Roast	Yes
Cook Time	Yes
Delay Start	Yes
Keep Warm	Yes
Kitchen Timer	Yes
Probe	Yes
Self Clean	No
Temperature Display	Yes

Controls

Sabbath Mode	No
--------------	----

Exterior

Backlit Knobs	Yes
---------------	-----

Electrical Specifications

Amps @ 120 Volts	9.2 Amps
Connected Load @ 120V	1.1 kW
Minimum Circuit Required	15 Amps

General Specifications

Warranty - Labor	1 Year
Warranty - Parts	1 Year

Safety Certifications and Approvals

CSA Listed	Yes
RoHS	Yes

Cooktop Performance

Right Front Element Burner	18,000 / 750 BTU Dual
Left Front Element Burner	18,000 / 750 BTU Dual
Right Rear Element Burner	12,000 / 750 BTU Dual
Left Rear Element Burner	12,000 / 750 BTU Dual
Center Front Element Burner	12,000 / 750 BTU Dual
Center Rear Element Burner	12,000 / 750 BTU Dual

Oven

Bake Element Type	Hidden
Bake Element	17,000 BTU
Broil Element	14,000 BTU
Convection	Yes
Convection Type	True
Convection Element	1,000 Watts
Rack Position Type	Ladder
Number of Rack Positions	5
Rack Type 1	Flat
Rack Type 1 Quantity	2
Rack Type 2	Glide
Rack Type 2 Quantity	1
Oven Interior Color	Gray
Window Type	Extra Large Visual
Oven Light Type	Halogen
Oven Light Quantity	2
Oven Light Watts	40 Watts
Number of Convection Fans	1

Display

Display Light Color	White
Display Type	LED
Control Location	Front

Dimensions and Volume

Width	35 15/16"
Depth	25 7/8"
Depth With Door 90° Open	43 15/16"
Oven Interior Height	15 1/16"
Oven Interior Width	28 7/16"
Oven Interior Depth	17 1/2"
Minimum Height	35 9/16"
Maximum Height	36 9/16"
Oven Capacity	4.4 Cu. Ft.

36" Front Control Freestanding Gas Range

Gas Range

Available Products: PCFG3670AF

Available Colors: Stainless Steel

Version: 07/22

Installation

Adjustable Leveling Legs	Yes
--------------------------	-----

LP Conversion Kit Included	Yes
----------------------------	-----

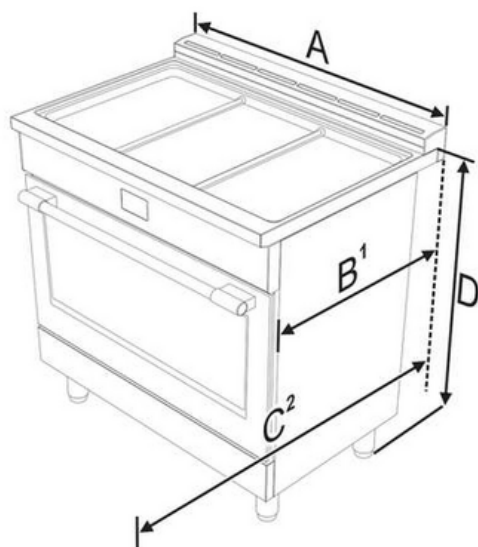
Plinth	Yes
--------	-----

Certifications and Approvals

ADA Compliant	Yes
---------------	-----

Installation Diagram

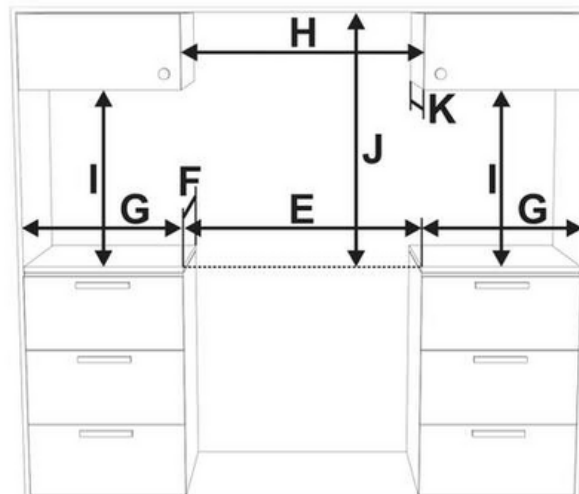
Product Dimensions



A	912.4 mm	35 15/16"
B¹	min: 654 mm max: 658 mm	min: 25 3/4" max: 25 7/8"
C²	1116 mm	43 15/16"
D	min: 903 mm max: 929 mm	min: 35 9/16" max: 36 9/16"

1. Measurement **B** varies according to the model: the minimum is obtained without the rear spacers (see "Island installation") and the maximum is obtained for traditional installation (slot-in installation - with the rear spacers).
2. Measurement **C** refers to the open door.

Cabinet clearances



E	min. 914 mm	min. 36"
F	628 mm	24" 5/8
G	min. 508 mm	min. 20"
H	min. 914 mm	min. 36"
I	min. 457 mm	min. 18"
J	see notes below	
K	max. 330 mm	max. 13"

Clearance **J** can have the following values:

- **J = 42" / 1067 mm** minimum clearance between the top of the cooking surface and the bottom of an unprotected wood or metal cabinet.
- **J = 30" / 762 mm** minimum when the bottom of wood or metal cabinet is protected by not less than 1/4-inch-thick flame-retardant millboard covered with not less than No. 28 MSG sheet steel, 0.015-inch-thick stainless steel, 0.024-inch-thick aluminum, or 0.020-inch-thick copper. Clearances from non-combustible materials are not part of the ANSI Z21.1 scope and are not certified by CSA. Clearances of less than 30" should be approved by the local codes and/or by the local authority having jurisdiction.