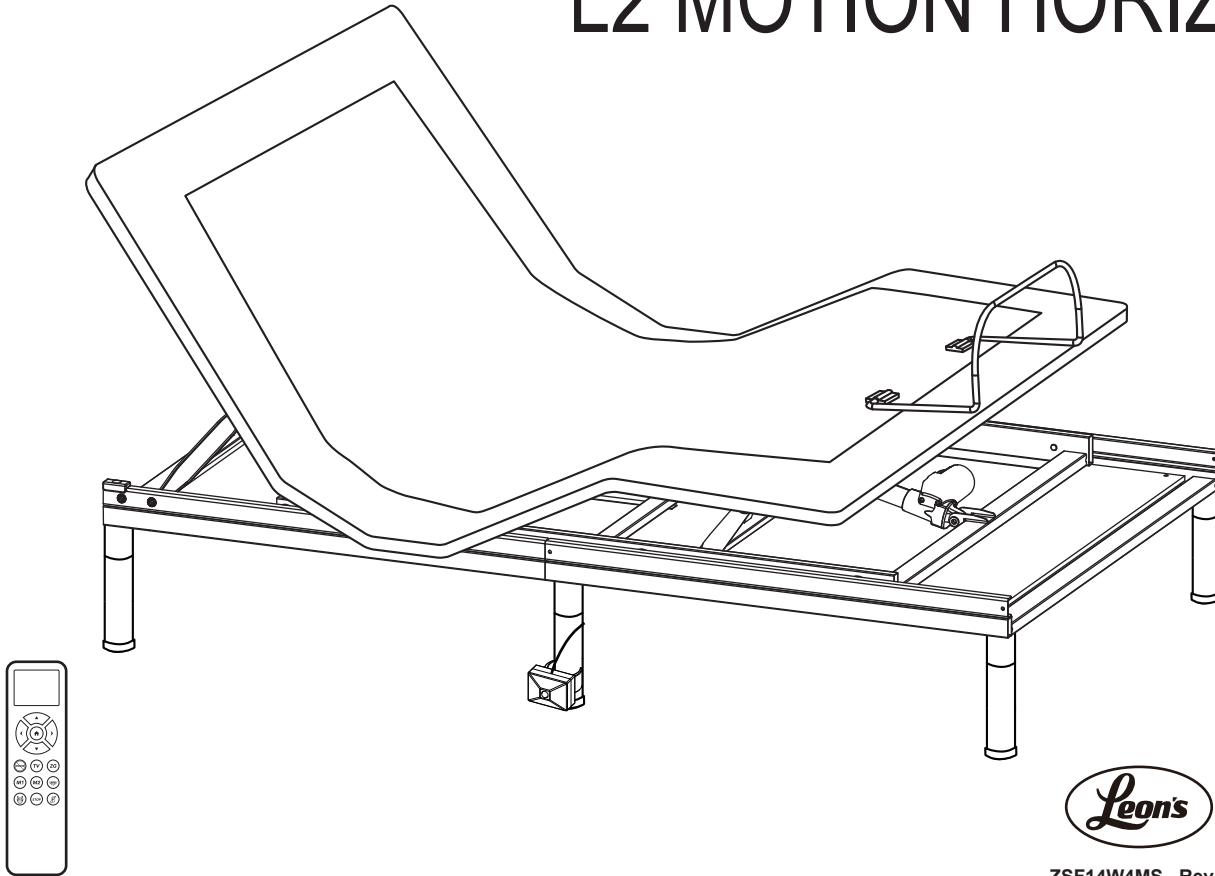


OWNER'S MANUAL

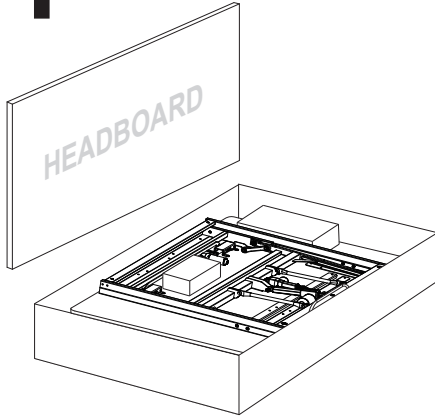
L2 MOTION HORIZON



ZSF14W4MS Rev 3.0 07/2023

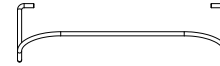
Installation Guide

1 Open the box lid.



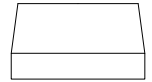
2 Take out all the accessories from the packaging and put them aside. All electronics and components that need to be installed are located in boxes under the foundation or attached to the frame. Before discarding the packing materials, ensure that all the parts are accounted for.

Mattress Retainer Bar



×1 (2 for K/CK)

Accessories Box



×1

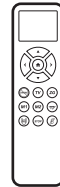
ACCESSORIES BOX:

Adjustable Legs



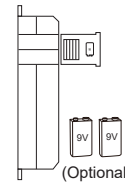
×6 (7 for K/CK)

Remote Control



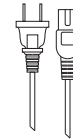
×1

Power Supply with Battery Backup Box



×1

AC Power Cord



×1

Sync Cord (TXL/T/CKS Only)



×1

AAA Batteries



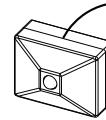
×3

Mounting Bracket



×2

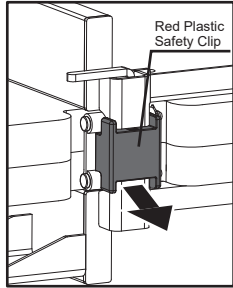
Motion Sensor



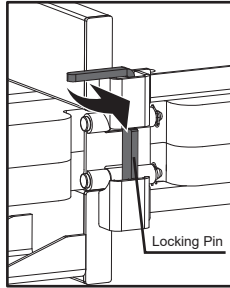
×2

3 Remove the red plastic safety lock before unfolding your power foundation.

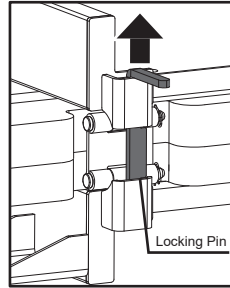
Remove the red plastic safety clip.



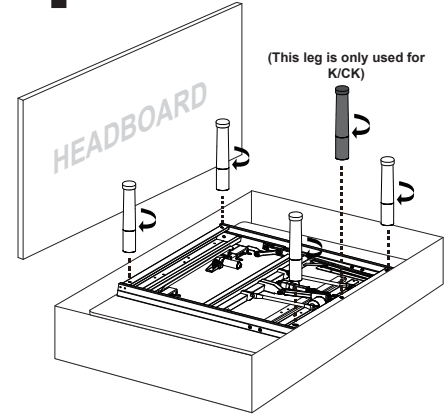
Turn the locking pin 90° in counter clockwise direction.



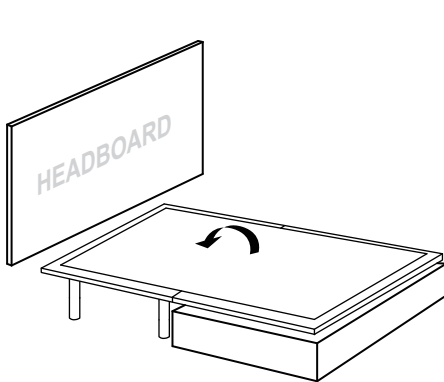
Remove the folding locking pin by pulling upwards.



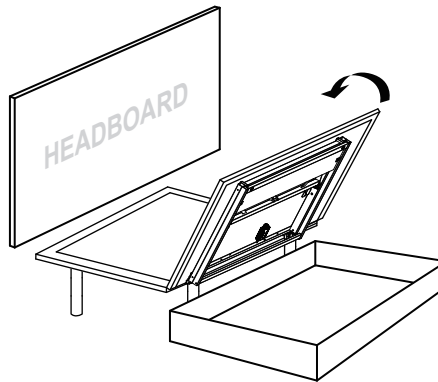
4 Install 4 (5 for K/CK) legs, make sure the legs are tight.



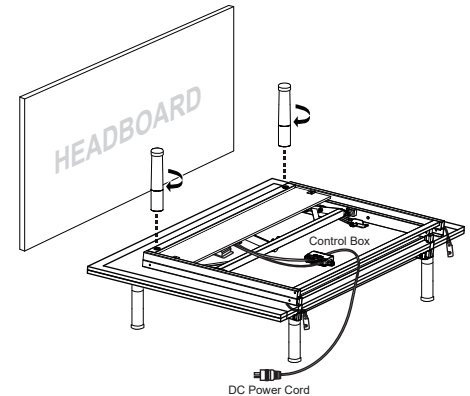
5 Remove the bed from the box with a flipping motion, let the bed stand on the 4 (5 for K/CK) legs.



6 Flip the foot end of the bed from the box and lay it on top of the end at the headboard.



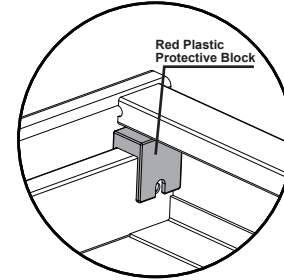
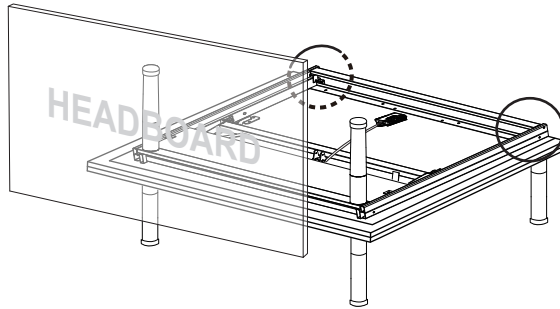
7 Install the remaining 2 legs on the head end of the bed, make sure the legs are tight. Uncoil the DC power cord (connected to the control box) and put it to the side of the bed.



8

Lay the bed folded on a flat ground.

Remove the red plastic protective blocks.



WARNING!

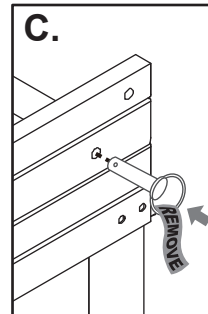
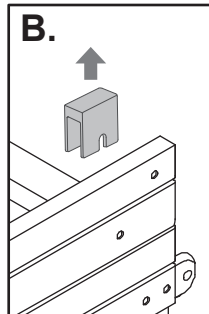
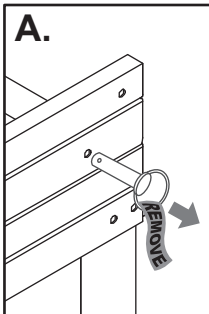
WHEN FOLDED, MUST REMOVE THE PIN. FAILURE TO FOLLOW THE STEP WILL RESULT IN DAMAGE TO YOUR POWER FOUNDATION.



A) When folded, remove the pin and put aside for later use.

B) Remove the red plastic protective block and discard.

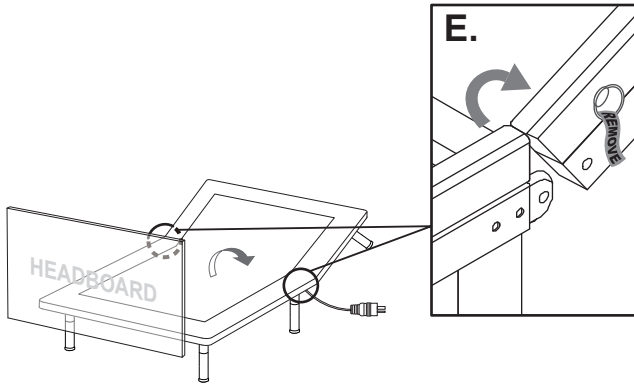
C) Insert the pin back in to prevent the bed frame from moving when it is turned over.



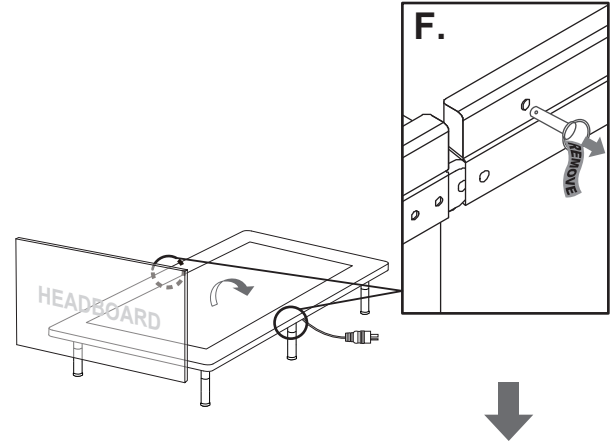
D) Repeat steps A, B and C for the other side.

Flip and secure the bed frame.

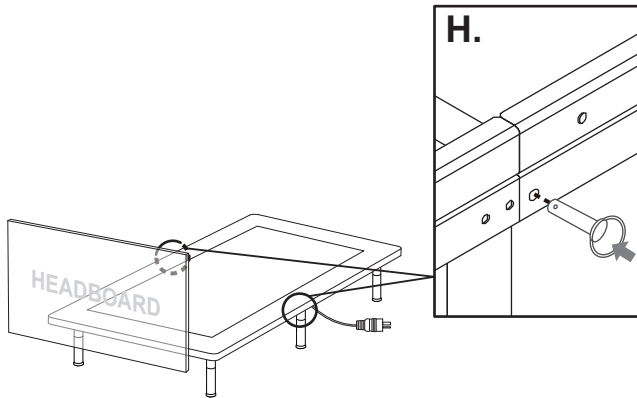
E.) Unfold the bed and lay it on a flat ground.



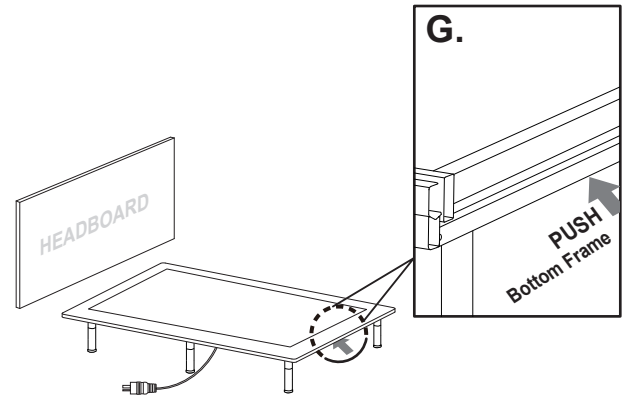
F.) Remove the pins from both sides.



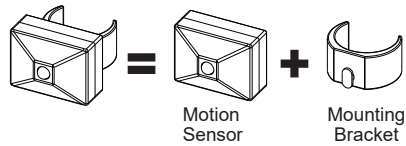
H.) Insert the pins on both sides. You may remove the warning ribbon.



G.) Push the bottom frame to secure it in place.

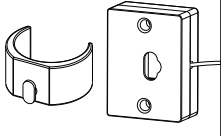


9 Motion sensor installation

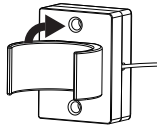


Prepare the motion sensor hardware.

STEP 1: Connect the motion sensor to the mounting bracket.



STEP 2: Rotate the mounting bracket 90 degrees clockwise

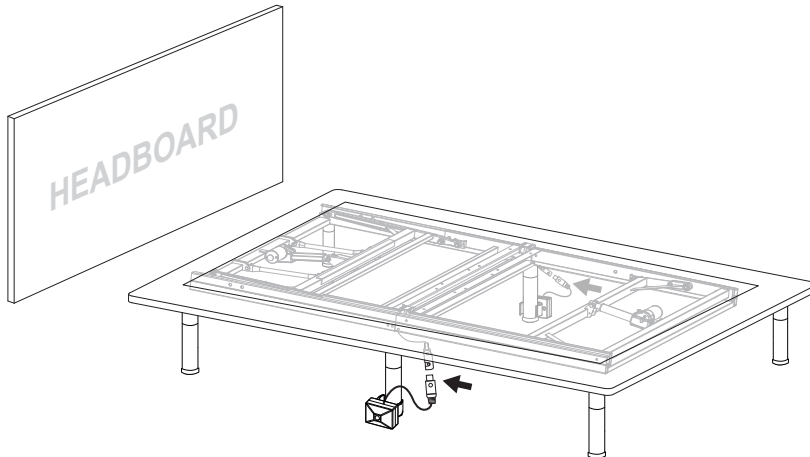


STEP 3:

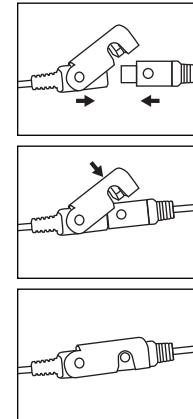


Connect the motion sensor connectors.

STEP 1: Clip the mounting bracket onto the center adjustable legs as illustrated.

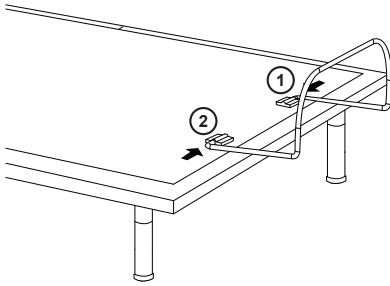


STEP 2: Connect the motion sensor connectors as illustrated. Note there are two connectors, one on each side of the bed.



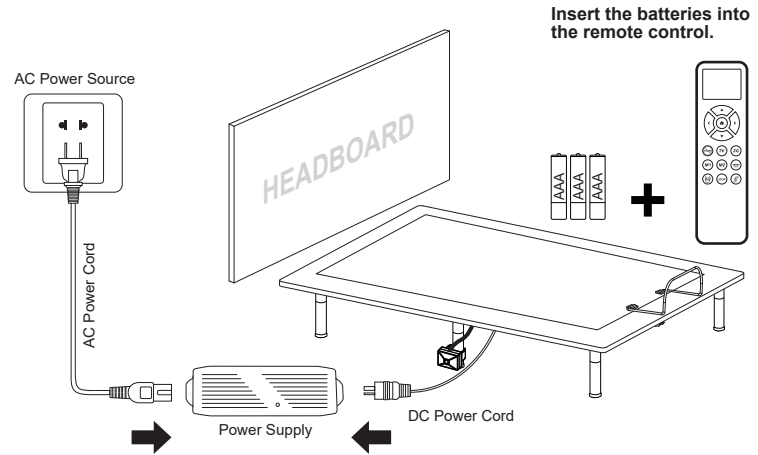
10

Install the mattress retainer bar one side after another.



11

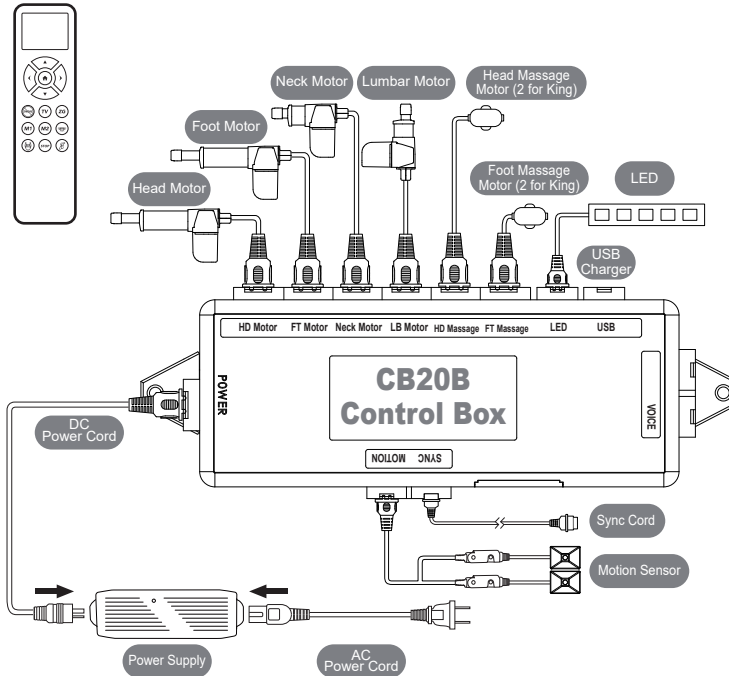
Uncoil the DC power cord (connected to the control box) and the AC power cord. Connect the DC power cord to the power supply and then connect the power supply to the AC power source.



DONE

Electronics Quick Reference Guide

Remote Control

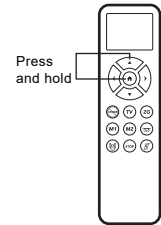


If simultaneous operation of two foundations is desired, please follow the steps listed below.

Note the sync cord is needed to control two foundations with mobile APP, follow the "Synchronizing Two Foundations with Sync Cord" instruction to install the sync cord or follow the "Wireless Syncing Instruction".

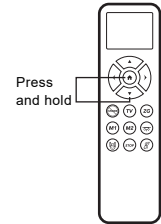
Wireless Syncing Instruction

- STEP 1:** Make sure both remotes are individually paired to the foundation. If the remote is not paired with the foundation, follow the pairing instructions.
- STEP 2:** Make sure both foundations are at home (flat position).
- STEP 3:** Press and hold ▲ and Ⓜ on both remotes at the same time for 8 seconds until the LCD screen shows **SYNC**.



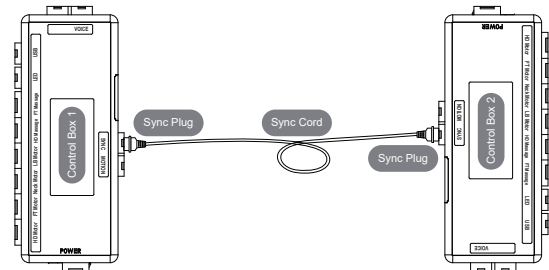
UNSYNC Two Foundations

Press and hold ▼ and Ⓜ on both remotes at the same time for 8 seconds, until the LCD screen flashes and shows **UNSYNC**.

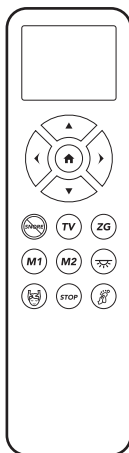


Synchronizing Two Foundations with Sync Cord

- STEP 1:** Unplug foundations from the power source.
- STEP 2:** Connect the male ends of the sync cord to the female sync plugs of the control boxes (Refer to below illustration).
- STEP 3:** Plug foundations back into the power source.
- STEP 4:** Check to ensure all cords are securely attached. Either remote will operate both foundations simultaneously.



Remote Control Instructions



SELECT BUTTON



Press these two buttons to select Head/Foot/Neck/Lumbar zone.

ADJUST



This button lifts the Head/Foot/Neck/Lumbar section of the foundation.



This button lowers the Head/Foot/Neck/Lumbar section of the foundation.

MESSAGE FEATURES



Turn on the head massage. Cycle through 3 massage intensities.



Turn on the foot massage. Cycle through 3 massage intensities.

STOP Turn off the head/foot massage.

SETTING PROGRAMMABLE POSITION



One-touch programmable positions.

UNDER BED LIGHTING



Under bed LED lighting on/off.

ONE TOUCH BUTTON



One-touch ANTI-SNORE preset position.



One-touch flat position.



One-touch TV preset position.



One-touch ZG preset position. ZG adjusts your legs to a higher level than your heart, helping to relieve pressure of the lower back and promote circulation.

Pairing Remote

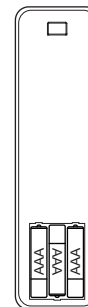
The original remote that comes in the box is already paired to the foundation. No further action is required. In the event when the remote is not paired with the foundation, follow the pairing instructions below.

STEP 1: Make sure the batteries are good. Replace them when needed.

STEP 2: Unplug the power cord from the power source. If 9V backup batteries were installed in the power supply, remove them.

STEP 3: Press and hold Select buttons (◀ and ▶) until the LCD screen of the remote control shows PAIR.

STEP 4: Plug the power cord back into the power source. The LCD screen on the remote control shows "PASS", and you will hear an activation sound in 2 seconds indicating the remote is paired to the power foundation.



Setting Programmable Position

STEP 1: Adjust the head and foot to your desired position.

STEP 2: Press and hold the LED button (🛏️) for about 5 seconds until the screen shows SAVE, then press programmable buttons **M1** or **M2**, until you hear 2 beep sounds.

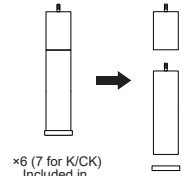
STEP 3: To save a new position, repeat step 1 and 2 and the new position will be saved.

BATTERY LEVEL



The battery icon in the upper-right corner shows the battery level, replace the batteries when the battery level is low.

Slat Pack Installation Guide (Optional)



×6 (7 for K/CK)
Included in
Accessories Box
(See Page 2
for details)

Leg Configuration Table				
Leg Configuration				
Leg Height	4 "	7 1/2 "	11 1/2 "	

Support leg may be needed on some slat/platform bed frames, refer to the leg configuration table for height adjustment.

* Make sure the adjustable legs are properly tight, and the plastic caps have been placed at the bottom of the legs. Incorrect installation might cause the part to fail or damage the floor.

Headboard Bracket Installation Guide (Optional)

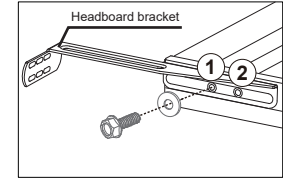
Headboard brackets are optional and not included. A 1/2" (13 mm) socket and 1/2" (13 mm) wrench are required to complete the installation.

HEADBOARD BRACKET COMPONENTS				
(2) Headboard Brackets	(2) T-Brackets	(8) M8*16	(4) Nuts	(4) Washers
OPTIONAL EQUIPMENT/PART (NOT INCLUDED)				
 Socket and Wrench 1/2" (13mm)				

STEP 1

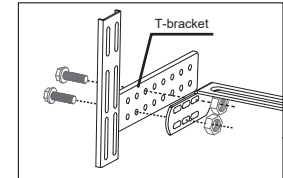
Align the slot hole of the headboard bracket into the holes of the bed frame.

The headboard bracket has an adjustable slot to accommodate any frame type. Use the bolts and washers to secure the bracket. Make sure the bolts are tight. **DO NOT OVERTIGHTEN.** Too much force may damage the thread.



STEP 2

To put the T-Bracket and Headboard Bracket together, you will need (2) M8×16 bolts and (2) nuts. Slip the bolts through the holes from T-Bracket to Headboard Bracket with the head of bolt facing outward. Use the 1/2" (13 mm) socket and 1/2" (13mm) wrench to tighten the bolts.



STEP 3

You may now connect your headboard to the attachment plates using the remaining short bolts and nuts to secure it to the brackets. The heads of the bolts will face outward. Use a 1/2" (13mm) socket and 1/2" (13mm) wrench to tighten the bolts.

L2 Motion Mobile APP (Optional)

General Information

L2 Motion Mobile APP is a mobile application to control the L2 Motion Adjustable Base with mobile devices. The application is available for both iOS and Android based smart devices.

The L2 Motion Mobile APP uses the latest technology to communicate with your L2 Motion Adjustable Base. Make sure your mobile devices has the pairing function for the APP to work correctly.

Install the L2 Motion APP

IOS



- Open APP Store on your IOS device
- Tap the Magnify Glass Icon and search with the keyword **L2 Motion**
- Tap on **GET** and **INSTALL** to install the APP
- Wait for the download/installation to be complete

Android

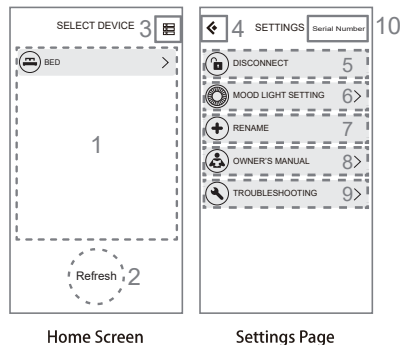


- Open Google Play on your Android device.
- Tap the Magnify Glass Icon and search with the keyword **L2 Motion**
- Tap on **GET** and **INSTALL** to install the APP
- Wait for the download/installation to be complete

Device Pairing

Before you start. Switch on the pairing function on your mobile device. Make sure your L2 Motion Adjustable Base is correctly connected and is power-on. The L2 Motion APP will automatically pair your L2 Motion Adjustable Base once you start the APP and does not require additional settings.

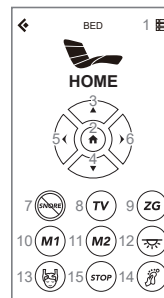
L2 Motion APP Home Screen



Home Screen	
1	List of Products within the connection range*
2	Tap the Refresh Button to refresh the Products List
3	Enter the Settings Page
Settings Page	
4	Back to the Home Screen
5	Disconnect from the paired Product
6	Choose the light colors, and set up the motion sensor timer
7	Rename your Power Foundation of your choice
8	Owner's Manual Page
9	Troubleshooting
10	Serial Number of the control box

* The effective connection range is $\pm 10m$

L2 Motion APP Remote Control



Remote Control	
1	Enter the Settings Page
2	One touch flat position
3	Lifting function
4	Lowering function
5	Select Head, Foot, Neck or Lumbar section
6	Select Head, Foot, Neck or Lumbar section
7	Anti-Snore Preset Position
8	TV Position
9	Zero G Preset Position
10	Programmable Position 1
11	Programmable Position 2
12	Under Bed Lighting
13	Head Massage (3 different intensities)
14	Foot Massage (3 different intensities)
15	Massage Off Button

* Remote interface varies in between different L2 Motion Power Foundation models. If you wish to disconnect from the current paired Power Foundation, Enter the Settings Page and tap the Disconnect button.