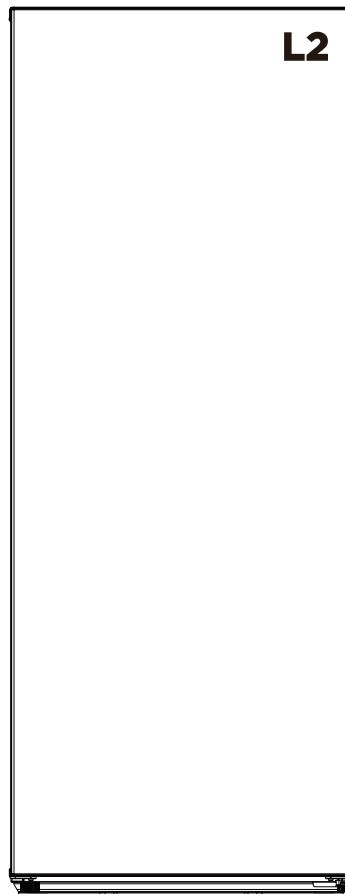


L2

Instruction Manual Upright Freezer



**Model:
LRU07M2AWWC**

Table of contents

1 Important safety precautions.....	3-7
2.Directions for use	
Components	8
Installation and placement.....	9
Start Using.....	9
Temperature control.....	10
Energy saving tips	10
Leveling feet	10
Door reversal	11
3.Maintenance of the freezer	14
4.Troubleshooting	15

1. IMPORTANT SAFETY PRECAUTIONS



1.1 WARNING CONCERNING R600a REFRIGERANT

DANGER - RISK OF FIRE OR EXPLOSION. FLAMMABLE REFRIGERANT USED. DO NOT PUNCTURE REFRIGERANT TUBING.

DANGER - RISK OF FIRE OR EXPLOSION. FLAMMABLE REFRIGERANT USED. THE UNIT IS TO BE REPAIRED ONLY BY TRAINED SERVICE PERSONNEL. DO NOT PUNCTURE REFRIGERANT TUBING.

CAUTION - RISK OF FIRE OR EXPLOSION. FLAMMABLE REFRIGERANT USED. CONSULT THE USER'S MANUAL / OWNER'S GUIDE BEFORE ATTEMPTING TO SERVICE THIS PRODUCT. ALL SAFETY PRECAUTIONS MUST BE FOLLOWED.

CAUTION - RISK OF FIRE OR EXPLOSION. DISPOSE OF PROPERTY IN ACCORDANCE WITH FEDERAL AND/OR LOCAL REGULATIONS. FLAMMABLE REFRIGERANT USED.

CAUTION - RISK OF FIRE OR EXPLOSION DUE TO PUNCTURED REFRIGERANT TUBING. FOLLOW HANDLING INSTRUCTIONS CAREFULLY. FLAMMABLE REFRIGERANT USED.

WARNING! DO NOT STORE OR USE GASOLINE OR OTHER FLAMMABLE VAPORS AND LIQUIDS IN THE VICINITY OF THIS OR ANY OTHER APPLIANCE. READ PRODUCT LABELS FOR FLAMMABILITY.

CAUTION - THE UNIT MUST BE POSITIONED AND INSTALLED PROPERLY FOLLOWING THE INSTRUCTIONS CONTAINED IN THIS MANUAL, UNDER THE SECTION "INSTALLATION". WHEN USING AN ELECTRICAL APPLIANCE, YOU SHOULD ALWAYS OBSERVE BASIC SAFETY PRECAUTIONS TO REDUCE THE RISK OF ELECTRIC SHOCK, FIRE OR PERSONAL INJURY.

1. **WARNING** - Keep the ventilation openings free of obstructions. Do not cover the appliance.
2. **WARNING** - Be careful not to damage the refrigerant tubing.
3. **WARNING** - Do not use electrical appliances inside food storage compartments.
4. **WARNING – DANGER:** Risk of entrapment ! Before discarding of your old appliance:
 - Take the doors off
 - Leave the shelves in place to prevent children from easily climbing into the refrigerator.
5. Always unplug the appliance before cleaning and/or servicing.

6. Please make sure that all persons who will use with this appliance are familiar with its operation and safety precautions. It is very important to install the appliance correctly and to follow all safety instructions.

This appliance may not be used by persons (including children) with reduced physical, sensory or mental capacities or lack of experience and knowledge unless instructed by a person responsible for their safety. Children must not play with this appliance.

7. If the power cord is damaged, it must be replaced by the manufacturer, its service center or a qualified electrician.
8. Please dispose of the appliance according to local regulations since the appliance uses flammable refrigerant and gas. Before discarding the appliance, remove the doors to prevent children from climbing inside.
9. This appliance is intended for **domestic use only**. Any other use will void the warranty.
10. Do not use this unit to store explosive materials such as aerosol containers with a flammable propellant.
11. Do not use extension cords or 2-prong adapters to connect this appliance to an electrical outlet.

DANGER



IT IS DANGEROUS FOR ANY PERSON OTHER THAN AUTHORIZED SERVICE PERSONNEL TO MAKE REPAIRS ON THIS APPLIANCE.

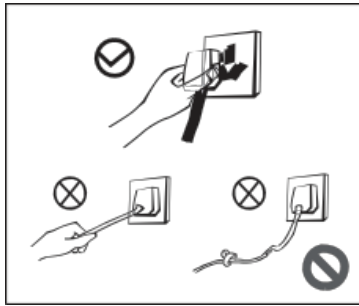


DO NOT ATTEMPT TO REPAIR THE APPLIANCE YOURSELF. DO NOT MODIFY THE SPECIFICATIONS OF THIS PRODUCT OR CHANGE IT IN ANY MANNER. FAULTS MAY RESULT IN A SHORT-CIRCUIT, FIRE OR ELECTRIC SHOCK.

12. **DANGER** - Risk of fire or explosion. Flammable refrigerant used. To be repaired only by authorized personnel. Do not puncture refrigerant tubes.
13. **DANGER** - Risk of fire or explosion. Flammable refrigerant used. All safety measures must be followed.
14. **DANGER** - Risk of fire or explosion if refrigerant tubes are perforated. Follow the precautionary instructions. Flammable refrigerant used.

This manual contains lots of important safety information which shall be observed by the users

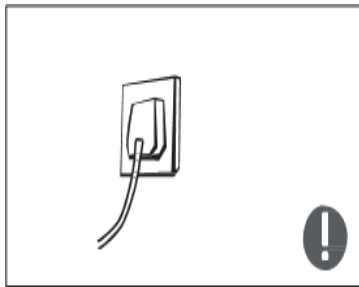
ELECTRICITY RELATED WARNINGS



Do not pull the cord when trying to disconnect the freezer. Firmly grasp the plug and pull out it from the socket directly.

Do not modify or damage the power cord under any condition. To ensure safety use, do not use when the power cord is damaged or worn.

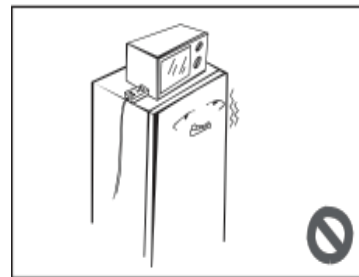
Worn or damaged power cord shall be replaced by manufacturer-authorized maintenance services or a qualified electrician.



The power plug should be firmly plugged into the socket. Please ensure that the grounding electrode of the power socket is accurately grounded.



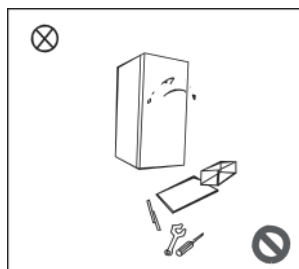
In the event of a gas leak, please turn off the gas valve and then open the doors and windows. Do not unplug the freezer or any other electrical appliances as that may create a spark and cause a fire.



To ensure safety, do not store small appliances such as rice cookers, microwave, toaster ovens etc...on the top of the freezer.

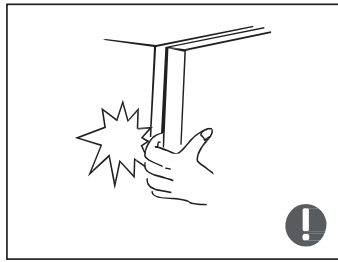
After a power failure **wait 5 minutes** before reconnecting the freezer to power supply to prevent damage to the compressor due to successive starts.

RELATED WARNING USE



Do not try to maintenance your freezer as you may damage the refrigerant circuits; servicing of this appliance must be conducted by an authorized technician.

A damaged power cord must be replaced by the servicing department or a qualified electrician.



The gaps between the freezer door and body are small, be careful not to put your hand in these areas. Be cautious when opening the door to avoid falling articles.

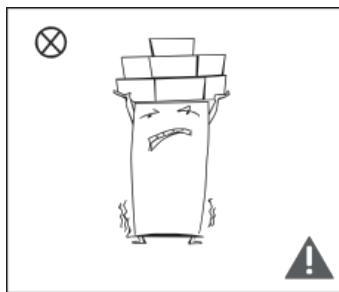
Do not pick foods or containers with wet hands when the freezer is running, especially metal containers as they may cause frostbite.



Do not allow children to enter or climb into the freezer. Children can get injured from being trapped in or under a falling unit.

Do not store the freezer in moist places (e.g. garage).

To ensure proper use locate the freezer away from direct heat sources (stoves, heater, direct sunlight). Also extreme temperature (hot or cold) will prevent the freezer from working properly.



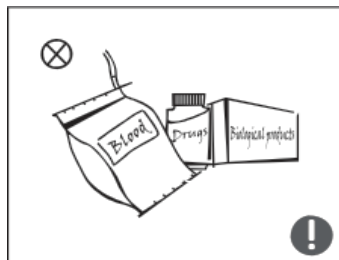
Do not place heavy objects on the top of the freezer considering that objects may fall when opening the door.

Disconnect the unit when cleaning or servicing.

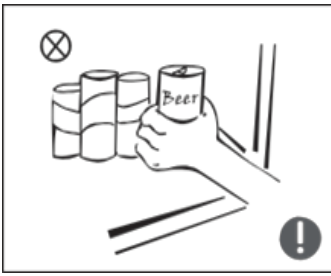
WARNINGS RELATED TO STORAGE



Do not put flammable explosive, volatile and highly corrosive items in the freezer.



This freezer is **only** suitable for domestic use and the storage of food. According to National Standard Codes for household use this freezer cannot be used for other purposes such as storage of blood, drugs or biological products.



Do not place items such as cans, bottles or sealed container of fluid such as beers and beverages in the freezer as they prevent bursts and cause damage.

USAGE WARNINGS

- 1) The freezer might not operate consistently if kept for an extended period of time below the cold end of the range of temperatures for which the appliance is designed.
- 2) Soda drinks should not be stored in the freezer
- 3) Do not exceed the storage time recommended by the food manufacturers for any kind of food and particularly for commercially frozen food.
- 4) The low temperature of the freezer can keep food fresh for a long period of time and is mainly to be used to store frozen foods and making ice.
- 5) The freezer is suitable for storage of meat, poultry and fish and other foods not to be consumed in short term.
- 6) Chunks of meat are preferably to be divided into small portions for easy access. Note that food should be consumed within the recommended shelf time.

WARNINGS RELATED TO DISPOSAL



The freezer's refrigerant and cyclopentane foam materials are combustible and a discarded freezer should be isolated from fire sources. Please remit your unit to a qualified professional recycling company.



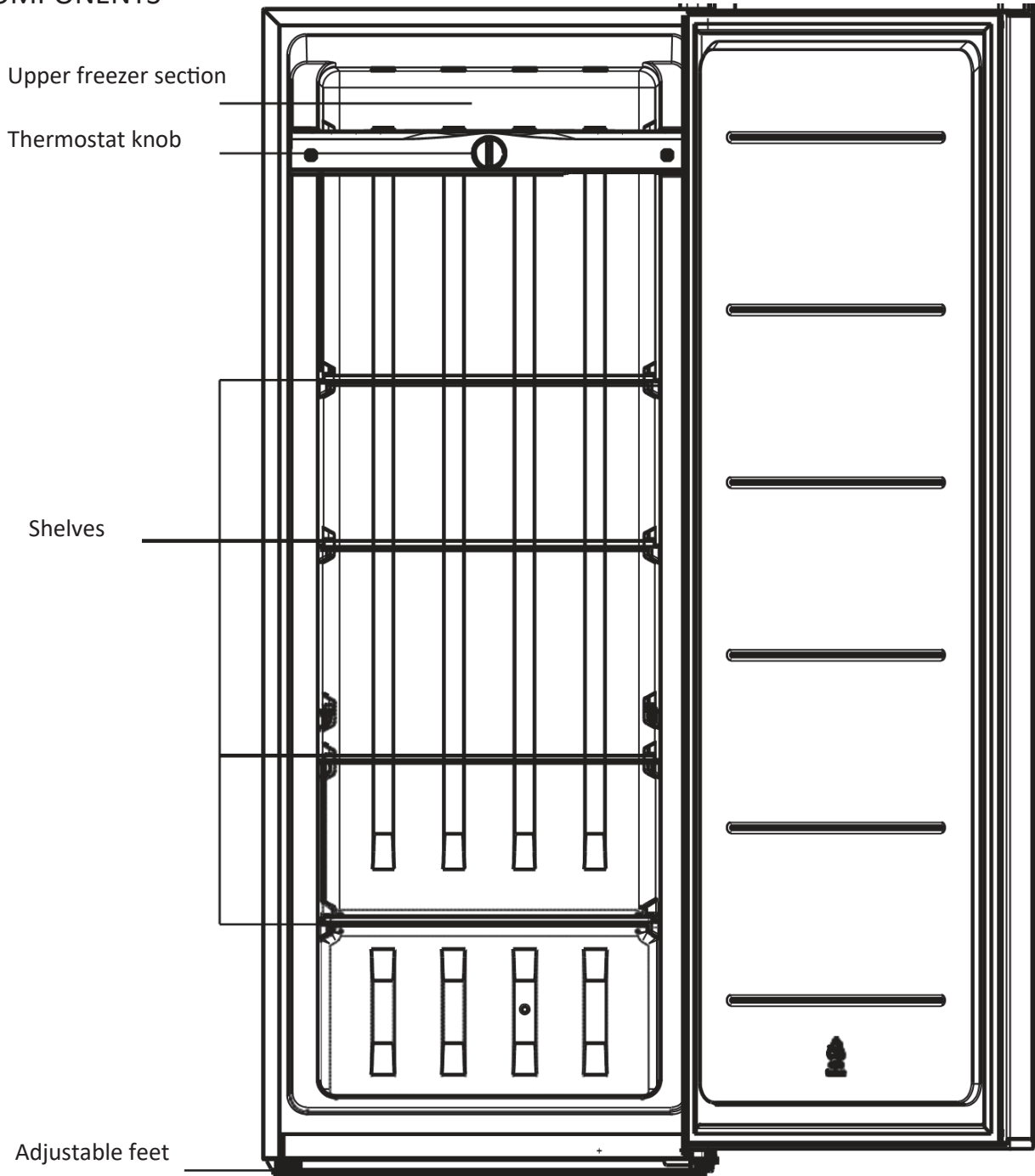
Risk of entrapment. Please remove the door of the freezer and leave the shelves in to avoid accidents.



This marking indicates that this product should not be disposed with regular household waste. To prevent possible harm to the environment or human health from uncontrolled waste disposal, recycle it responsibly and promote the sustainable reuse of material resources. To return your used device, please call local authorities or contact the retailer where the product was purchased. They will ensure this product is safely recycled.

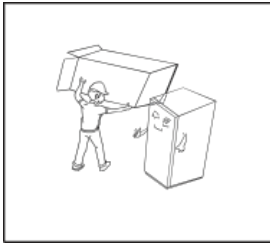
2. DIRECTIONS FOR USE

COMPONENTS

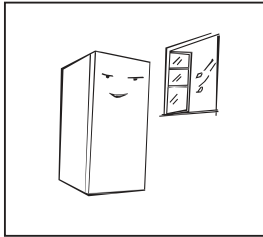


(The picture above is only for reference. The configuration of your unit may depend on the model chosen.)

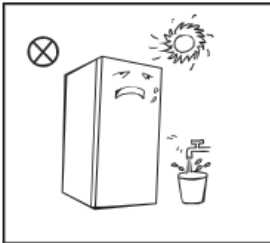
INSTALLATION AND PLACEMENT



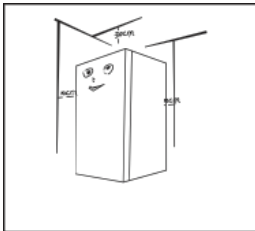
Before using your freezer, remove all packaging materials including foam pads and tapes inside the unit, remove the protective film on the door and the appliances' body.



The freezer should be placed in well ventilated indoor area, the ground should be flat and sturdy enough to support the unit once filled.

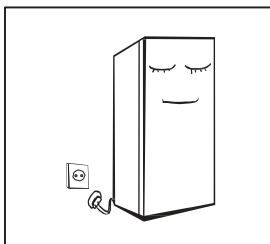


When choosing the location keep away from heat sources and avoid direct sunlight. Do not store the freezer in moist areas (such as garages) as this cause the unit to rust or generate malfunction.



Allow sufficient clearance to insure proper air circulation: 30 cm (12") at the top and 10 cm (4") on each sides and back of the unit.

START USING



Before connecting to the power source, let the **appliance stand for 2-3 hours.**

The freezer should run **4 hours before loading fresh or frozen foods.**

TEMPERATURE CONTROL

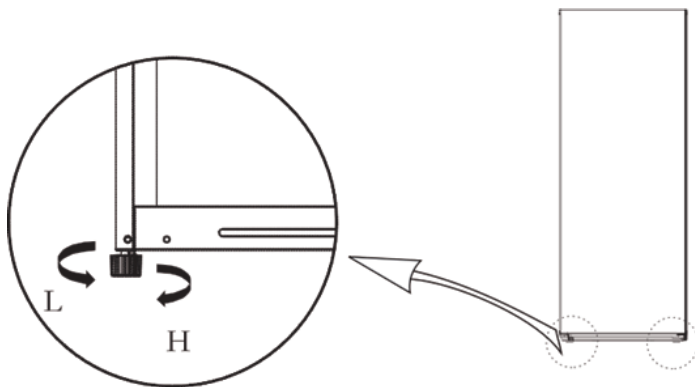


- The interior temperature of the freezer can be adjusted using the thermostat knob. Rotate clockwise to lower the temperature.
- " MIN " is the warmest setting, while " MAX " is the coldest.

ENERGY SAVING TIPS

- The appliance should be located in the coolest area of the room, away from heat producing appliances or heating ducts, and out of the direct sunlight.
- Let hot food cool down to room temperature before storing them in the appliance. Overloading the appliance forces the compressor to run longer. Foods that freeze too slowly may lose quality, or spoil.
- Be sure to wrap foods properly, and wipe containers dry before placing them in the appliance. This cuts down on frost build-up.
- Storage areas should not be lined with aluminum foil, wax paper, or paper towels. Liners may interfere with cold air circulation, making the appliance less efficient.
- Organize and label food to reduce door openings and extended searches. Remove as many items as needed at one time, and close the door as soon as possible.

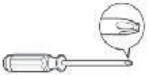


LEVELING FEET



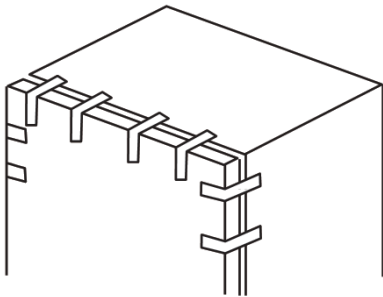
To adjust:

- A. Turn the feet clockwise to raise the freezer;
- B. Turn the feet counterclockwise to lower the freezer;
- C. Adjust based on the previous procedures until the unit is leveled.

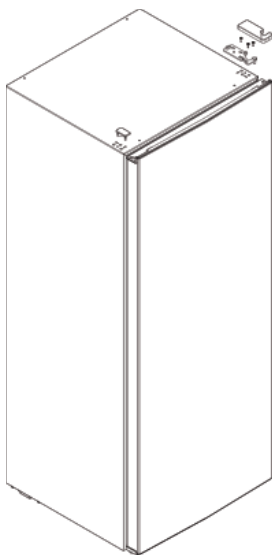
DOOR REVERSAL

TOOLS REQUIRED	
	Phillips screwdriver
	Flat blade screwdriver
	Strong adhesive tape

1) Remove all food from unit. Fix the door with tape (see below pictures)

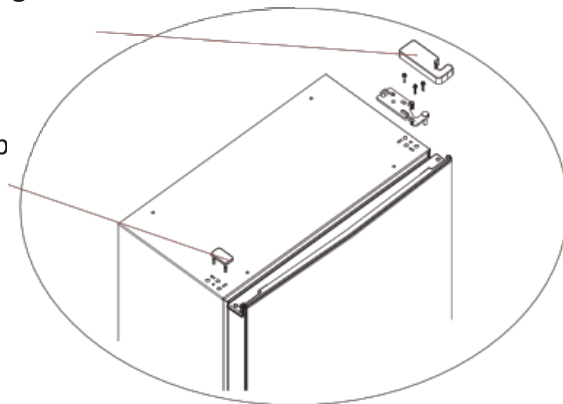


2) Dismantle hinge cap, the upper right hinge cover, the fitting screws and remove the upper right hinge. Please keep the door in a vertical position during the process to prevent it from damaging.



The upper hinge cover

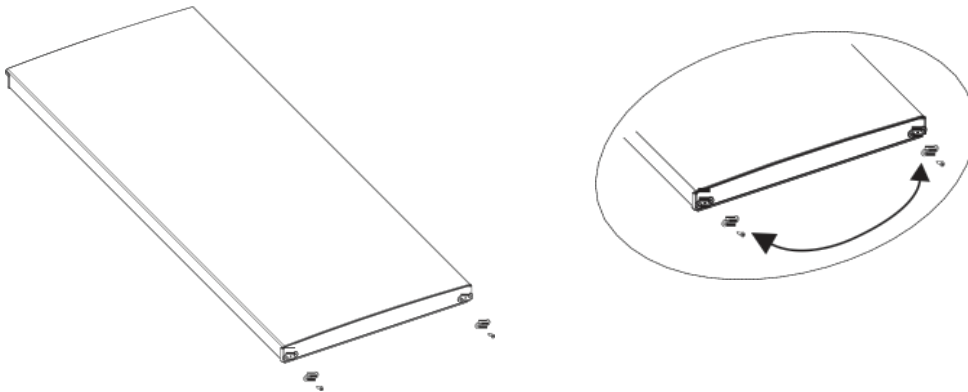
Hinge hole cap



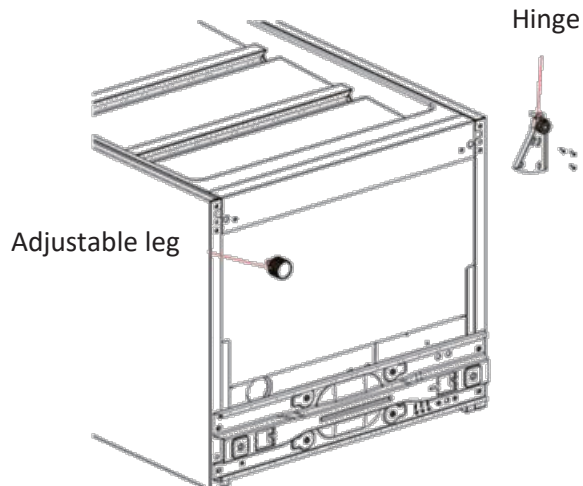
3) Remove the door



4) Dismantle the door stopper, and install it on other side



5) Dismantle the lower hinge and adjustable leg;

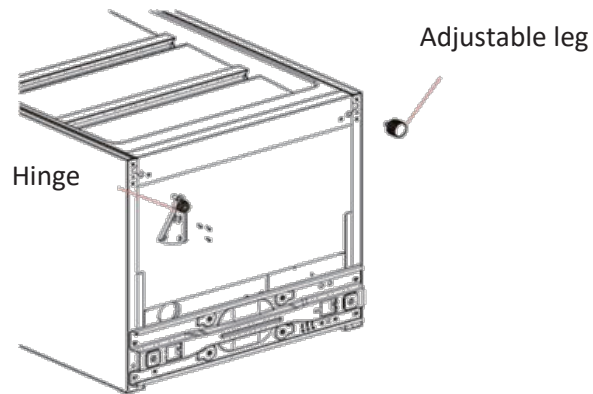


**At least 2 persons are recommended to execute this procedure.

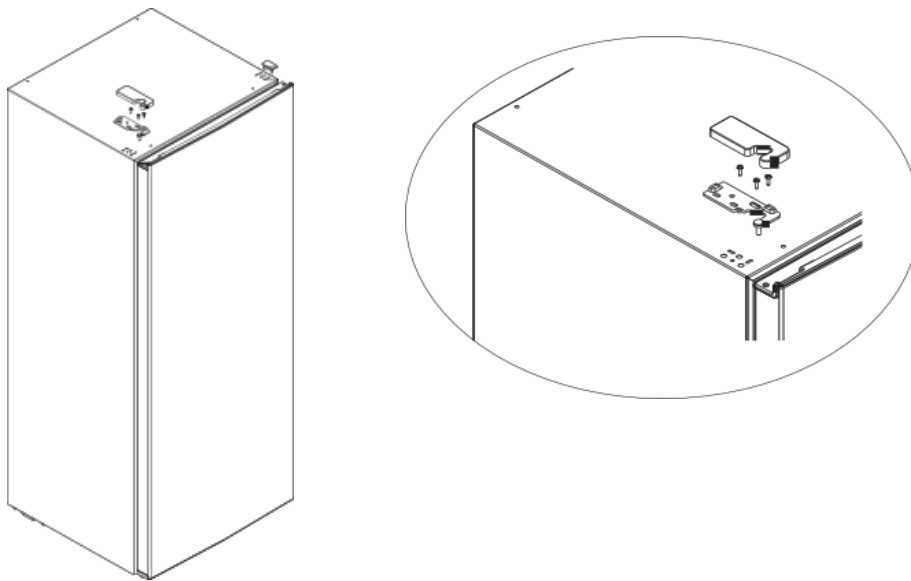
** Keep the appliance **partially inclined**¹ during this procedure to avoid damage to the refrigeration system.

¹: transport inclination should **NOT be more than 45°**.

6) Install the lower hinge on lower left side of cabinet and adjustable leg on the right



7) Mount the door on lower hinge, vertically, and make sure the door gasket is tight, take out the spare upper left hinge and hinge cover (included in the accessory bag), then install the upper left hinge using the fitting screws. Finally install the hinge cover, and the hinge hole cap on upper right side.



(The picture above is only for reference. The actual configuration will depend on product chosen)

3.MAINTENANCE OF THE FREEZER

CLEANING

- Dusts behind the freezer and on the ground should be regularly cleaned to improve the cooling effect and help with energy saving.
- The interior of the unit should be cleaned regularly to avoid odor. Soft towels or sponge dipped in water and non-corrosive neutral detergents are recommended for cleaning. Open the door for natural air drying before putting the power on.
- Do not use hard brushes, clean steel balls, abrasives, and organic solvents (such as alcohol, acetone solutions, banana oil, etc.), boiling water, acid or alkaline products to clean your freezer as this may damage the interior and exterior surfaces
- Do not rinse with thoroughly with water (flush) so as not to affect the electrical insulation properties. Use a dry cloth when cleaning temperature control.

DEFROST

Your freezer is to be manually defrosted.

- Disconnect the plug from the wall socket, open the door and remove all the food and store in a cool place.
- To remove the frost, use a plastic scraper or let the warm temperature rise naturally until the ice has melted. Then wipe away the remaining ice and water. Do not use any mechanical devices to accelerate the defrost process. Be careful not to damage the refrigerant circuit.

SERVICE INTERRUPTION AND MOVING

- In case of power failure foods can be preserved for a few hours even in summer time. We recommend to reduce the frequency of door openings and not to add fresh foods.
- Unplug the freezer when left unused for a long period of time or for cleaning. Keep the door open to avoid developing odors or mold.
- Do not turn the unit upside down or shake it. **The carrying inclination cannot be greater than 45°.**
- When moving the unit do not hold it by the door or hinge.
- We recommend continuous operation once the freezer is installed. Please do not stop the freezer unnecessarily so as not to affect the unit's service life.

4. TROUBLESHOOTING

The following issues can be handled by the user. Please call the after-sale service department if the issues are not resolved.

Unit not operating	<ul style="list-style-type: none"> • Not plugged in. • The circuit breaker tripped or has a blown fuse. • The freezer temperature control is set at "OFF".
Odors	<ul style="list-style-type: none"> • Odorous foods should be thoroughly wrapped • Foods are rotten • Unit should be cleaned.
Long-term operation of compressor	<ul style="list-style-type: none"> • The room temperature is hotter than normal. • A large amount of food has been added to the freezer. • The door is opened too often. • The door is not entirely closed. • The temperature control is not set correctly. • The door gasket does not seal properly. • The freezer does not have the correct clearances. • The freezer has recently been disconnected for a period of time. Four hours are required for the freezer to cool down completely.
The freezer door does not properly close	<ul style="list-style-type: none"> • The freezer is not leveled. • The gasket is dirty.
Loud noise	<ul style="list-style-type: none"> • The freezer is not leveled correctly • Check if accessories are correctly positioned and do not vibrate.
Door opening	<ul style="list-style-type: none"> • After refrigeration, there will be pressure difference between the inside and outside of the freezer and door may not open easily. This is a normal physical phenomenon.
Freezer enclosure heat/ Condensation	<ul style="list-style-type: none"> • The freezer enclosure may emit heat during operation specially in summer, this is caused by the radiation of the condenser, and it is a normal phenomenon. • Condensation: condensation can be detected on the exterior surface and door seals of the freezer when the ambient humidity is high, this is a normal phenomenon, and the condensation can be wiped away with a dry towel.
Airflow sound, Buzz and Clatter	<ul style="list-style-type: none"> • Refrigerants circulating in the tubes will produce sounds and grunts. This is normal and does not affect the cooling effect. • The running compressor will buzz especially when starting up or shutting down. • The solenoid valve or electric switch valve can clatter which is a normal phenomenon and does not affect the operation.

L2

Refrigerator Warranty

Your product is protected by this warranty:

Warranty service must be obtained from L2 Consumer Services or an authorized L2 servicer.

Warranty

- Two years full warranty from original purchase date.

L2, through its authorized servicers will:

- Pay all costs for repairing or replacing parts of this appliance which prove to be defective in materials or workmanship.

Consumer will be responsible for:

- Diagnostics, removal, transportation and reinstallation cost required because of service.
- Costs of service calls that are a result of items listed under **NORMAL RESPONSIBILITIES OF THE CONSUMER****

L2 replacement parts shall be used and will be warranted only for the period remaining on the original warranty.

NORMAL RESPONSIBILITIES OF THE CONSUMER**

This warranty applies only to products in ordinary household use, and the consumer is responsible for the items listed below:

1. Proper use of the appliance in accordance with instructions provided with the product.
2. Routine maintenance and cleaning necessary to keep the good working condition.
3. Proper installation by an authorized service professional in accordance with instructions provided with the appliance and in accordance with all local plumbing, electrical and / or gas codes.
4. Proper connection to a grounded power supply of sufficient voltage, replacement of blown fuses, repair of loosened connections or defects in house wiring.
5. Expenses for making the appliance accessible for servicing.
6. Damages to finish after installation.

EXCLUSIONS

This warranty does not cover the following:

- 1) Failure caused by damage to the unit while in your possession (other than damage caused by defect or malfunction), by its improper installation, or by unreasonable use of the product, including without limitation, failure to provide reasonable and necessary maintenance or to follow the written Installation and Operating Instructions.
- 2) Products purchased "as-is" or refurbished are not covered by this warranty.
- 3) Food loss caused by refrigerator or freezer failure.
- 4) Service calls to repair or replace consumables such as water filters, light bulbs air filters etc., or handles, knobs and other cosmetic parts.
- 5) Product that has been transferred from its original owner.
- 6) Interior or exterior rust on the unit.
- 7) Damages caused by services performed by persons other than authorized L2 servicers; use of parts other than L2 replacement parts; obtained from persons other than such L2 customer service; or external causes such as abuse, misuse, inadequate power supply or acts of God.
- 8) Service calls resulting from improper installation of your product.
- 9) Service calls to instruct you on the use of your product.
- 10) Surcharges including, but not limited to, any after hour, weekend, or holiday service calls, tolls, ferry trip charges, or mileage expense for service calls to remote areas, including the state of Alaska.
- 11) If the unit is put to commercial, business, rental, or other use or application other than for consumer use, we make no warranties, express or implied, including but not limited to, any implied warranty of merchantability or fitness for particular use or purpose.
- 12) Product that has been removed outside the USA or Canada.
- 13) Products without original serial numbers or products that have serial numbers which have been altered or cannot be readily determined.

Note: Some states do not allow the exclusion or limitation of incidental or consequential damages. So this limitation or exclusion may not apply to you.

IF YOU NEED SERVICE

Keep your bill of sale, delivery slip, or some other appropriate payment record.

The date on the bill established the warranty period should service be required.

If service is performed, it is in your best interest to obtain and keep all receipts.

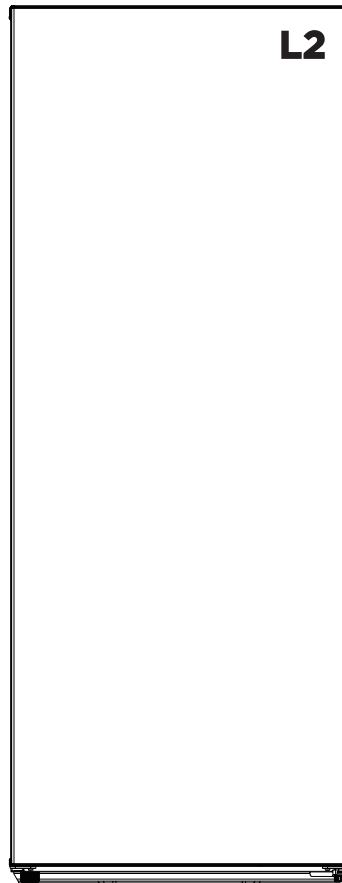
This written warranty gives you specific legal rights. You may also have other rights that vary from state to state.

Service under this warranty must be obtained by following these steps, in order:

1. Contact L2 Consumer Services or an authorized L2 servicer at 1-866-646 4332.
2. If there is a question as to where to obtain service, contact our consumer relations Department.

L2

Manuel d'utilisation Congélateur Vertical



MODÈLE :
LRU07M2AWWC

TABLE DES MATIÈRES

1. Importantes consignes de sécurité.....	3-7
2. Mode d'emploi de l'appareil	
Les composantes.....	8
Emplacement de l'appareil.....	8
Mise en marche	10
Le contrôle de température	10
Conseils pour l'économie d'énergie.....	10
Ajuster le niveau de l'appareil.....	11
Inverser la porte.....	11
3. Entretien de l'appareil	15
4. Dépannage.....	16

1. IMPORTANTES CONSIGNES DE SÉCURITÉ

VEUILLEZ LIRE TOUTES LES INSTRUCTIONS AVANT D'UTILISER L'APPAREIL



1.1 PRÉCAUTIONS RÉFRIGÉRANT R600a

DANGER - RISQUE D'INCENDIE OU D'EXPLOSION. RÉFRIGÉRANT INFLAMMABLE UTILISÉ. NE DOIT ÊTRE RÉPARÉ SEULEMENT QUE PAR DU PERSONNEL QUALIFIÉ. NE PAS PERCER LES TUBES FRIGORIFIQUES.

ATTENTION - RISQUE D'INCENDIE OU D'EXPLOSION. RÉFRIGÉRANT INFLAMMABLE UTILISÉ. CONSULTEZ LE GUIDE DE RÉPARATION / MANUEL D'INSTRUCTION AVANT DE TENTER DE RÉPARER CE PRODUIT. TOUTES LES MESURES DE SÉCURITÉ DOIVENT ÊTRE RESPECTÉES.

ATTENTION - RISQUE D'INCENDIE OU D'EXPLOSION. DISPOSEZ CONFORMÉMENT AUX RÈGLEMENTS FÉDÉRAUX OU LOCAUX. RÉFRIGÉRANT INFLAMMABLE UTILISÉ.

ATTENTION - RISQUE D'INCENDIE OU D'EXPLOSION SI LES TUYAUX RÉFRIGÉRANT SONT PERCÉS. SUIVRE LES INSTRUCTIONS AVEC SOIN. RÉFRIGÉRANT INFLAMMABLE UTILISÉ.

DANGER - RISQUE D'INCENDIE OU D'EXPLOSION. RÉFRIGÉRANT INFLAMMABLE UTILISÉ. NE PAS UTILISER DE DISPOSITIFS MÉCANIQUES POUR DÉGIVRER LE RÉFRIGÉRATEUR. NE PAS PERCER LES TUBES FRIGORIFIQUES.

1. **AVERTISSEMENT** - Gardez les ouvertures de ventilation dans l'enceinte de l'appareil libres de toute obstruction.
2. **AVERTISSEMENT** - Attention de ne pas endommager le circuit réfrigérant.
3. **AVERTISSEMENT** - N'utilisez pas d'appareils électriques à l'intérieur des compartiments de stockage d'aliments.
4. **AVERTISSEMENT – DANGER** : Risque d'emprisonnement

Avant de jeter votre vieux réfrigérateur :

- Retirer les portes
- Laissez les étagères en place pour éviter que les enfants ne puissent facilement y grimper

5. Débranchez toujours l'appareil avant de le nettoyer et/ou d'en faire l'entretien.

6. Veuillez-vous assurer que toutes les personnes susceptibles d'utiliser cet appareil se sont familiarisées avec son fonctionnement et les mesures de sécurité. Il est très important d'installer l'appareil correctement et de faire particulièrement attention aux consignes de sécurité.

Cet appareil ne doit pas être opéré par des personnes (y compris les enfants) avec des capacités physiques, sensorielles ou mentales réduites ou manque d'expérience et de connaissances, à moins qu'elles n'aient été renseignées sur l'utilisation de l'appareil par une personne responsable de leur sécurité. Les enfants ne doivent pas jouer avec cet appareil.

7. Si le cordon d'alimentation électrique est endommagé, il doit être remplacé par le fabricant, son centre de service ou un électricien qualifié.

8. Veuillez disposer de votre appareil selon les règlements locaux car l'appareil utilise du réfrigérant et du gaz inflammable. Avant de mettre l'appareil au rebus retirez les portes.

9. Cet appareil est uniquement destiné à un usage domestique. Tout autre usage en annulera la garantie.

10. N'entreposez pas de matières explosives telles que les contenants aérosol avec un propulseur inflammable dans cet appareil.

11. N'utilisez pas de rallonges électriques ou d'adaptateurs à deux (2) brins pour brancher cet appareil.

DANGER



IL EST DANGEREUX POUR QUICONQUE D'AUTRE QUE DU PERSONNEL DE SERVICE AUTORISÉ D'EFFECTUER DES RÉPARATIONS SUR CET APPAREIL.



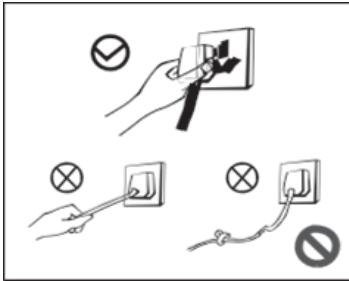
NE TENTEZ PAS DE RÉPARER CET APPAREIL VOUS-MÊME. NE PAS ALTÉRER LES SPÉCIFICATIONS DU PRODUIT OU LE MODIFIER DE QUELQUE MANIÈRE QUE CE SOIT. TOUT PROBLEME PEUT REPRÉSENTER UN RISQUE DE COURT-CIRCUIT, D'INCENDIE OU D'ÉLECTROCUTION.

12. **DANGER** - Risque d'incendie ou d'explosion. Réfrigérant inflammable utilisé. Pour être réparé seulement par du personnel autorisé seulement. Ne pas percer les tubes réfrigérants.

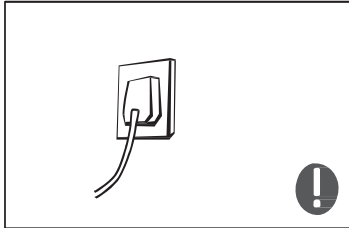
13. **DANGER** - Risque d'incendie ou d'explosion. Réfrigérant inflammable utilisé. Toutes les mesures de sécurité doivent être suivies.

14. **DANGER** - Risque d'incendie ou une explosion due à la perforation des tubes frigorigènes. Suivre les instructions et mesures de sécurité. Réfrigérant inflammable utilisé

Avertissements concernant le branchement électrique



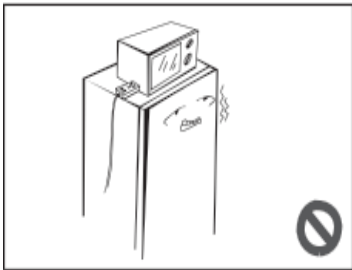
- Ne tirez pas sur le cordon d'alimentation lorsque vous débranchez le congélateur. Veuillez saisir fermement la fiche et la retirer directement de la prise.
- Pour assurer une utilisation en toute sécurité n'altérer pas le cordon d'alimentation quelles que soient les conditions. Ne l'utilisez pas s'il est endommagé ou si la fiche est abîmée.



- Un cordon d'alimentation usé ou endommagé doit être remplacé par un service de maintenance agréé ou encore par un électricien qualifié.
- Pour éliminer tout risque d'incendie, la fiche d'alimentation doit être fermement en contact avec la prise. Veuillez-vous assurer que la prise de courant est équipée d'une mise à la terre sécuritaire.

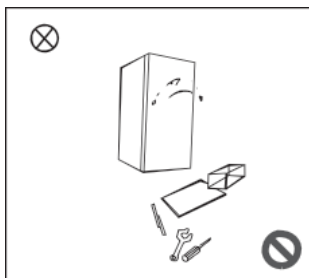


- En cas de fuite de gaz dans la maison, veuillez fermer le robinet du gaz qui fuit, puis ouvrez les portes et les fenêtres. Ne débranchez pas le congélateur ni d'autres appareils électriques, car une étincelle peut provoquer un incendie.

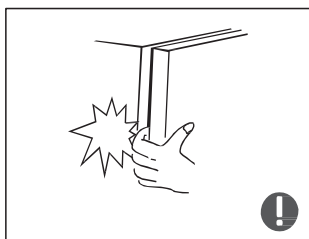


- Pour des raisons de sécurité, il n'est pas recommandé de placer des appareils comme micro-ondes, cuiseur à riz et autres petits électroménagers sur le dessus du congélateur.
- Veuillez débrancher la fiche lors de panne de courant ou de nettoyage. Ne connectez pas le congélateur à une source d'alimentation dans les cinq minutes qui suivent une coupure de courant afin d'éviter d'endommager le compresseur dû à de démarrages successifs.

Avertissements concernant l'utilisation



- Ne pas tenter de démonter le congélateur, vous risquez d'endommager les circuits de réfrigération ; l'entretien de l'appareil doit être effectué par un spécialiste.

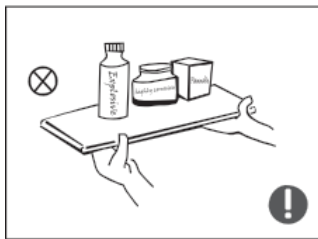


- Les espaces entre les portes et le cabinet du congélateur sont petits, veillez à ne pas mettre la main dans ces zones. Soyez prudents lorsque vous ouvrez la porte du congélateur au cas où des objets ne chutent.
- Ne ramassez pas des aliments ou des récipients avec les mains mouillées lorsque le congélateur est en marche, en particulier les récipients en métal afin d'éviter les engelures.

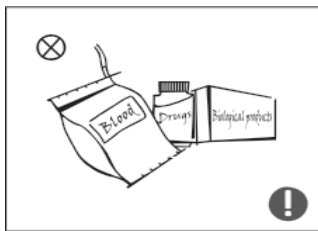


- Risque d'emprisonnement ; Ne laissez pas les enfants entrer ou monter dans le congélateur. Risque de blessure ; les enfants peuvent être blessés par la chute de l'appareil.
- N'installez pas le congélateur dans des endroits humides et/ou près de réservoir d'eau qui pourrait l'éclabousser. Ces conditions pourraient altérer les propriétés d'isolation électrique de l'appareil.

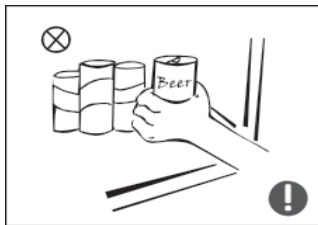
Avertissements concernant le stockage



- Ne placez pas d'objets inflammables, explosifs, volatiles et hautement corrosifs dans le congélateur.



- Cet appareil est un congélateur à usage domestique et ne doit être utilisé que pour le stockage des aliments. Selon les normes nationales, un congélateur résidentiel ne doit jamais être utilisé à d'autres fins, tel que le stockage de sang, de médicaments ou de produits biologiques.



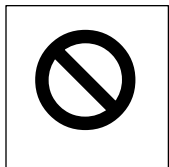
- Ne placez pas d'objets tels que des bouteilles ou des contenants scellés contenant des liquides, tels que des bières ou boissons gazeuses qui peuvent exploser dans le congélateur.

Avertissements concernant l'utilisation

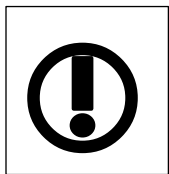
- 1) Le congélateur risque de ne pas fonctionner correctement s'il est maintenu pendant une période prolongée en dessous ou au-dessous de la limite de la plage de températures pour laquelle il est conçu.
- 2) Ne pas dépasser la durée de stockage recommandée par les fabricants de produits alimentaires pour tout type d'aliments en particulier pour les aliments surgelés.
- 3) Pour retarder la décongélation des aliments congelés lors du dégivrage de l'appareil enveloppez les dans du papiers journal.

- 4) Les basses températures de l'appareil peuvent conserver les aliments au frais pendant une longue période de temps. Cet appareil est principalement conçu pour stocker des aliments surgelés et pour faire de la glace.
- 5) Le congélateur convient au stockage de viande, poisson, fruits de mer et d'autres aliments qui peuvent ne pas être consommés à court terme.
- 6) Les morceaux de viande doivent de préférence être divisés en petits morceaux pour en faciliter l'accès. Veuillez noter que la nourriture doit être consommée dans le délai normal de conservation des dits aliments.

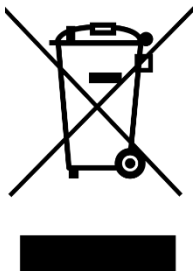
Avertissement concernant la mise au rebut



- Le réfrigérant et les mousses de cyclopentane contenus dans votre appareil sont des matériaux combustibles ; les congélateurs mis au rebut doivent être isolés des sources d'incendie et ne peuvent pas être brûlés. Veuillez transférer le congélateur à une entreprise de recyclage professionnelle qualifiée, et par conséquent éviter tout risque de blessures ou dommage pour l'environnement.



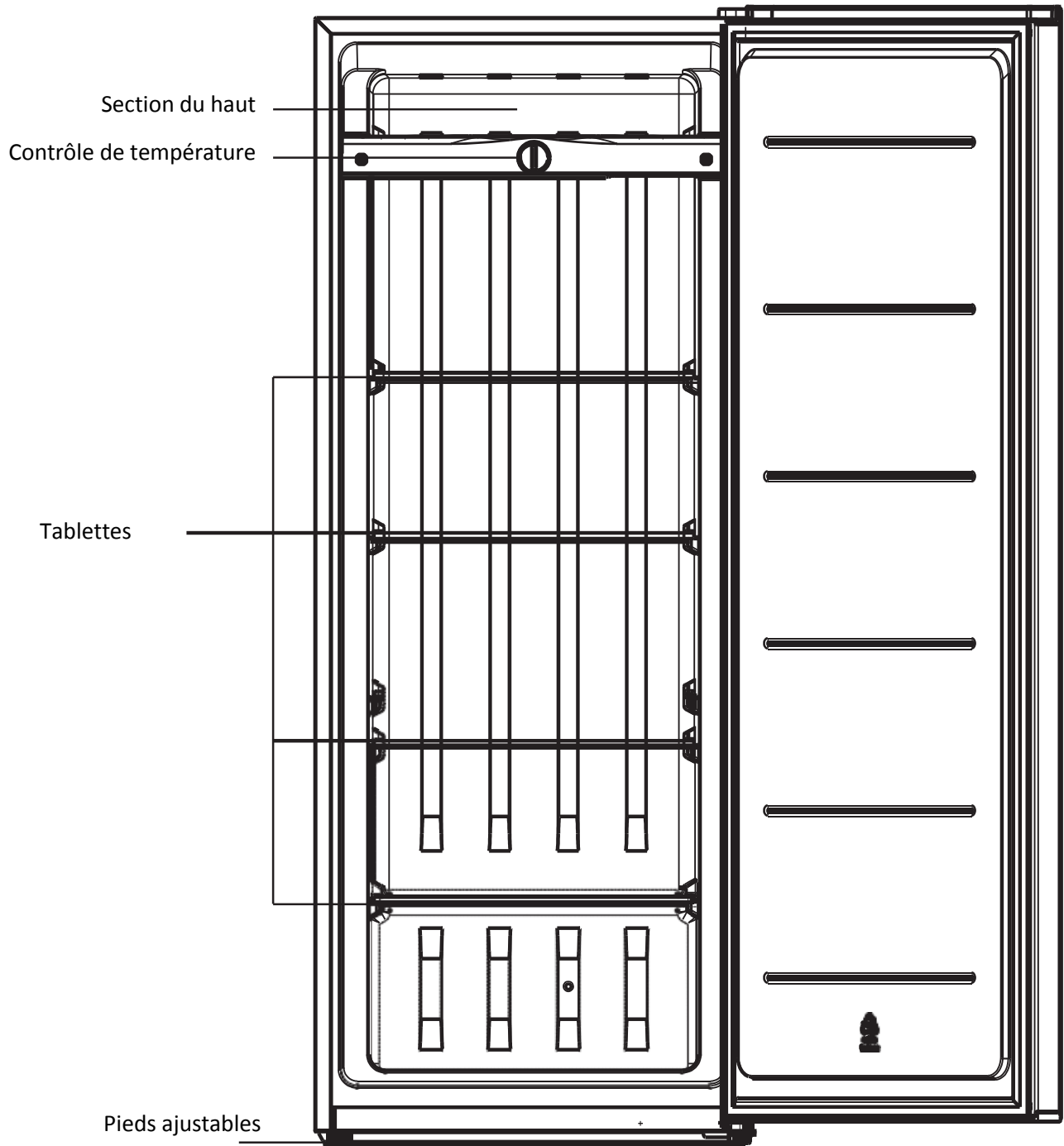
- Veuillez retirer la porte et les étagères du congélateur pour éviter que les enfants n'y grimpent.



- Ce symbole indique que ce produit ne doit pas être éliminé avec les autres déchets ménagers. Pour éviter tout risque pour l'environnement ou la santé recyclez-le de manière responsable, afin de promouvoir la réutilisation durable des ressources matérielles. Pour retourner votre appareil usagé, veuillez utiliser les systèmes locaux de reprise et de collecte ou contacter le revendeur duquel le produit a été acheté. Ce produit doit être recyclé dans le respect de l'environnement.

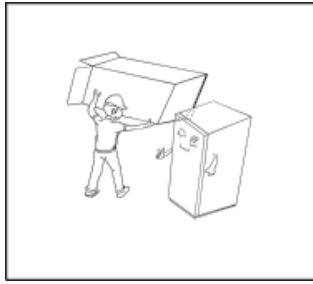
2. MODE D'EMPLOI DE L'APPAREIL

LES COMPOSANTES

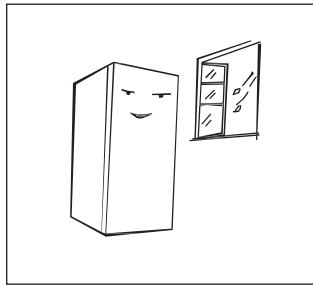


(L'image ci-dessus est uniquement fournie à titre de référence seulement. La configuration réelle peut dépendre du produit choisi)

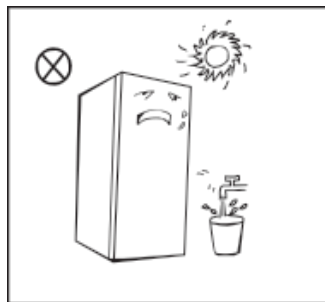
Emplacement de l'appareil



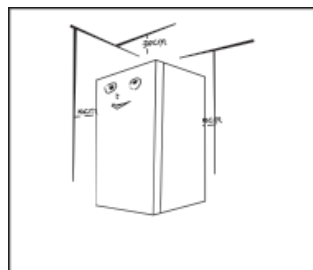
Avant d'utiliser le congélateur , retirez tous les matériaux d'emballage, y compris les bases, les coussinets en mousse et les bandes adhésives à l'intérieur du congélateur. Retirez le film protecteur sur la porte et le cabinet.



Le congélateur doit être placé dans un endroit bien ventilé à l'intérieur de la maison. Le sol doit être plat et suffisamment robuste pour pouvoir en supporter le poids une fois rempli.

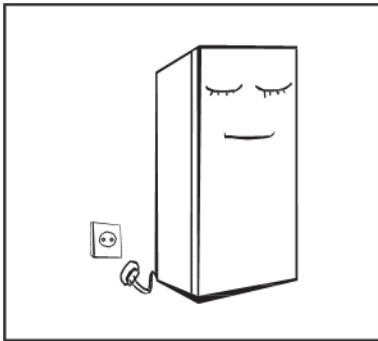


Lors du choix de l'emplacement veillez à tenir votre appareil à l'écart de sources de chaleur et éviter les rayons directs du soleil. Ne placez pas le congélateur dans des endroits humides ceci aurait pour effet de créer de la rouille et/ou réduire l'effet isolant.



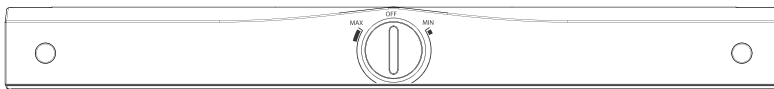
L'espace de dégagement supérieur du congélateur doit être au moins 30 cm (12") et de 10cm (4") des deux côtés et à l'arrière afin de faciliter la dissipation de la chaleur et assurer une ventilation adéquate.

Mise en marche



- Attendre **2-3 heures** avant de brancher l'appareil à la source d'alimentation électrique lorsqu'il est mis en marche pour la première fois.
- Le congélateur doit fonctionner **4 heures avant d'y placer des aliments frais ou congelés.**

Le contrôle de température

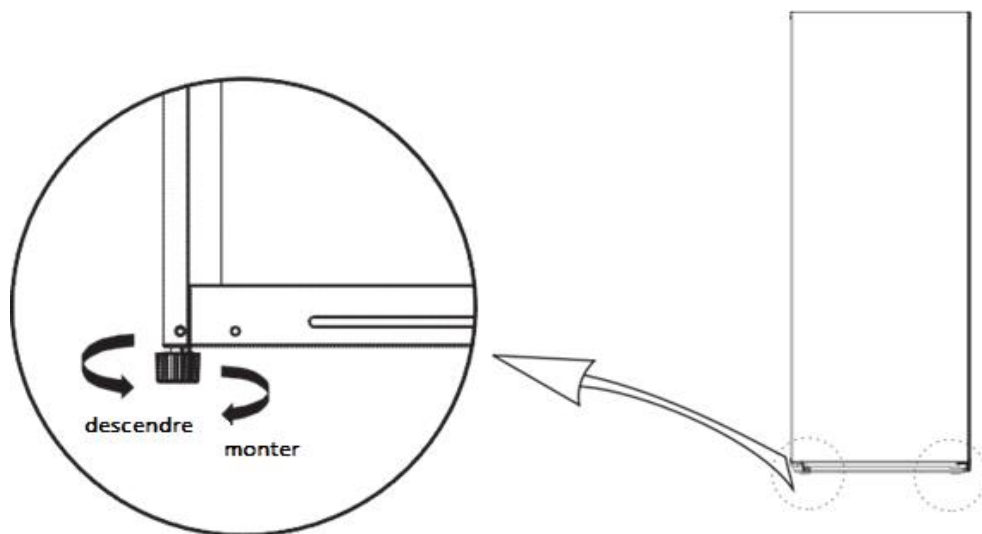


- Le thermostat permet de régler la température intérieure du congélateur. Simplement tournez le bouton dans le sens horaire et la température intérieure baissera.
- "MIN" représente le réglage le plus chaud, et "MAX" est le réglage le plus froid.

Conseils pour l'économie d'énergie

- L'appareil doit être placé dans la zone la plus fraîche de la pièce, à l'écart des appareils générant de la chaleur, des conduits de chauffage et à l'abri de la lumière directe du soleil.
- Laissez les aliments chauds refroidir à la température ambiante avant de les placer dans l'appareil. Autrement la surcharge forcera le compresseur à fonctionner plus longtemps. Les aliments qui gèlent trop lentement risquent de perdre de leur qualité ou même de se gâter.
- Assurez-vous d'emballer correctement les aliments et d'essuyer les récipients avant de les placer dans l'appareil. Cela réduit l'accumulation de givre.
- La section de rangement ne doit pas être recouverte de papier d'aluminium, de papier ciré ou d'essuie-tout. Les doublures interfèrent avec la circulation d'air froid, rendant l'appareil moins efficace.
- Organisez et étiquetez les aliments pour réduire les ouvertures de porte et les recherches prolongées. Enlevez autant d'articles que nécessaire en une fois et fermez la porte dès que possible.

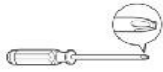


Ajuster le niveau de l'appareil



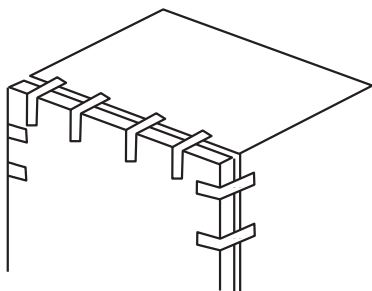
Procédures d'ajustement :

- A** : Tournez les pieds dans le sens des aiguilles d'une montre pour lever le congélateur ;
- B** . Tournez les pieds dans le sens antihoraire pour abaisser le congélateur ;
- C** . Ajustez les pieds droit et gauche en fonction des procédures ci-dessus jusqu'à l'appareil soit au niveau.

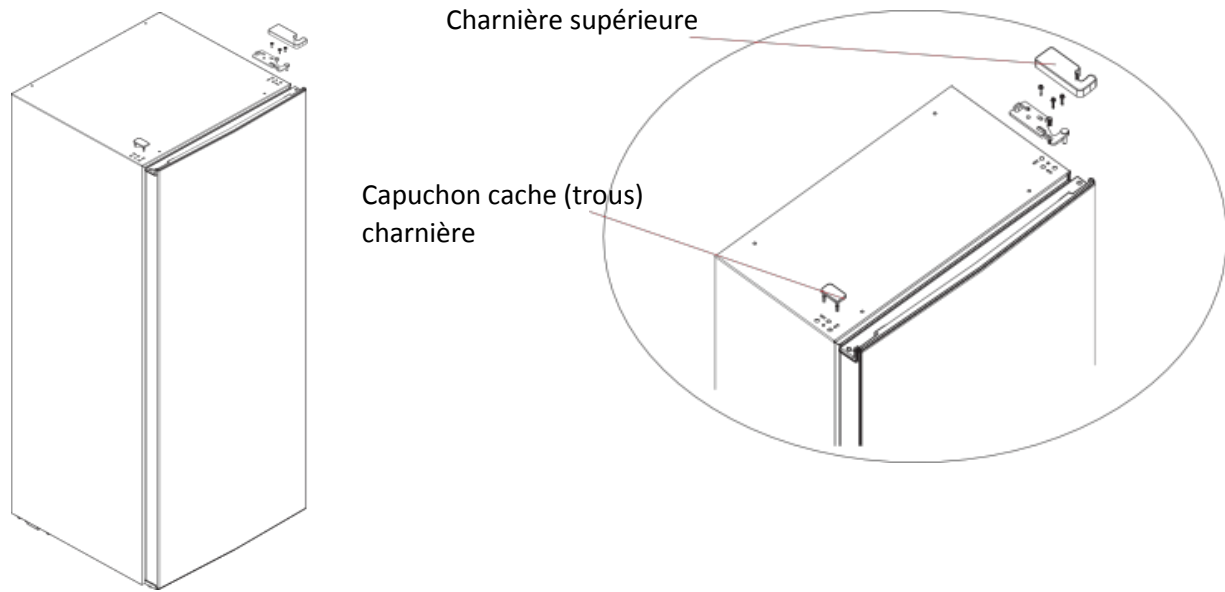
Inverser la porte

Outils nécessaires	
	Tournevis Phillips (étoilé)
	Tournevis à tête plate
	Ruban adhésif fort

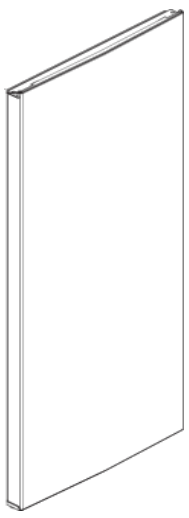
- 1) Retirer toute la nourriture des compartiments et fixer la porte à l'aide du ruban



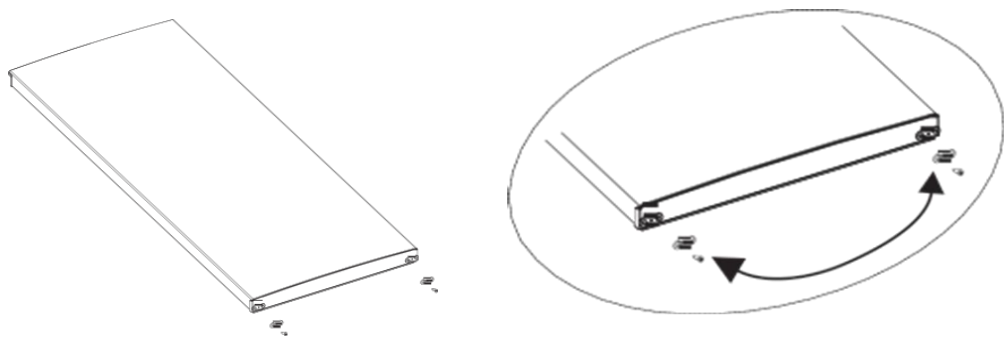
2) Démontez le capuchon de la charnière, le cache charnière supérieur droit, les vis de fixation de la charnière supérieure droite et finalement la charnière supérieure droite. Veuillez maintenir la porte en position verticale pendant tout le processus pour éviter les bris.



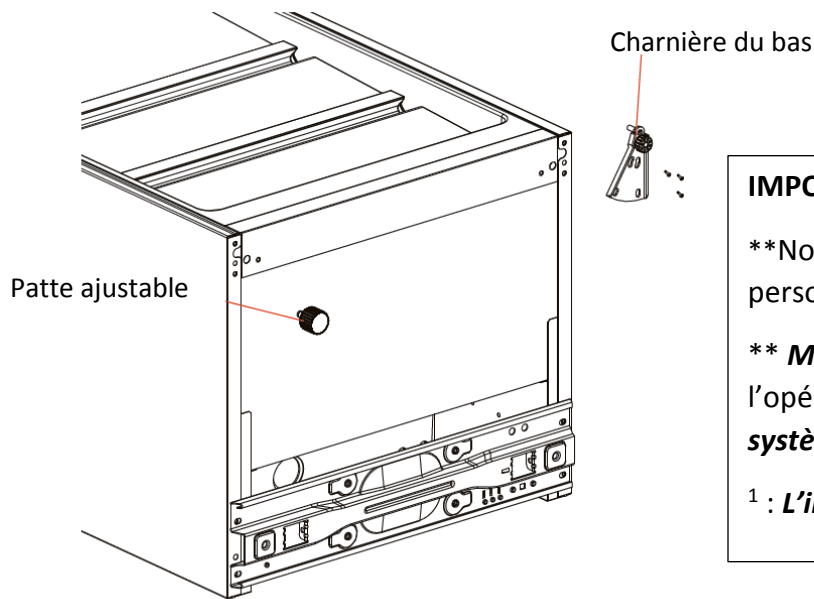
3) Enlever la porte



4) Démontez le butoir de la porte et installez-le du côté opposé .



5) Démontez la charnière inférieure (à droite) et la patte ajustable du côté gauche



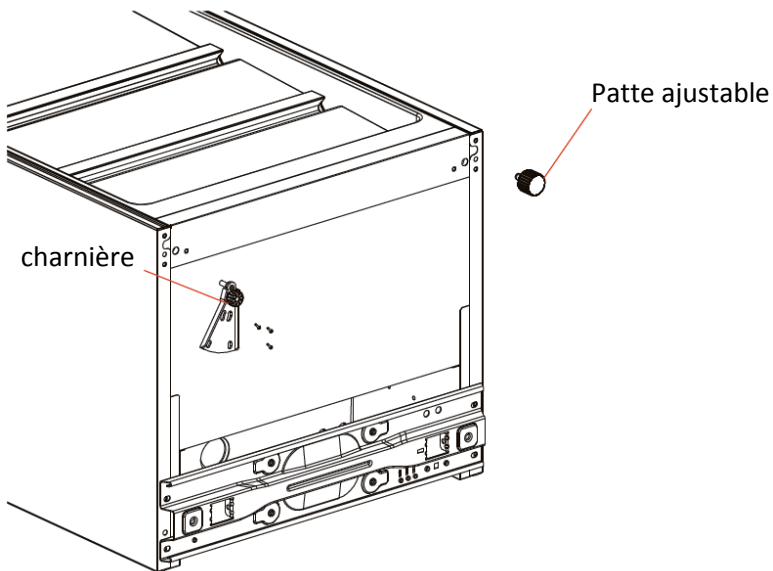
IMPORTANT

**Nous recommandons fortement d'être 2 personnes à manipuler l'unité.

** **Maintenez l'appareil incliné** ¹ lors de l'opération pour **éviter tout dommage au système de réfrigération.**

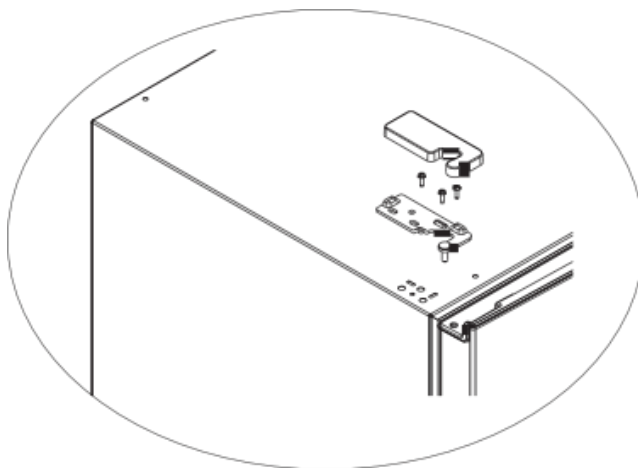
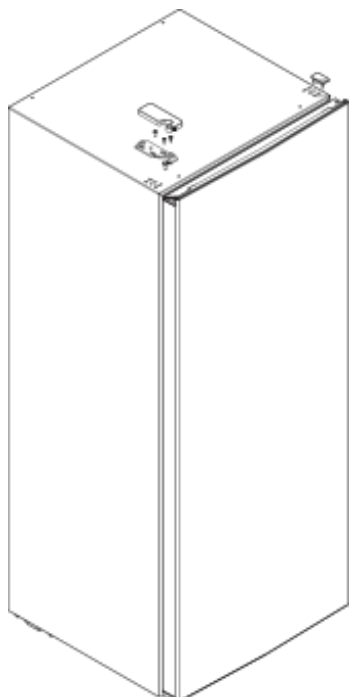
¹ : **L'inclinaison ne peut être supérieure à 45 °**

6) Réinstallez la charnière inférieure du côté opposé (à gauche) et le pied réglable sur le côté inférieur droit de l'appareil



- 7) Installez la porte sur la charnière inférieure en position verticale et vérifiez l'étanchéité du joint. Récupérez la charnière supérieure gauche et le cache-trous de la charnière de rechange (inclus dans le sac d'accessoires) installez la charnière supérieure gauche à l'aide des vis fournies.

Finalement installez le couvercle de la charnière et le capuchon de la charnière sur le côté supérieur droit.



(Les images ci-dessus sont uniquement fournies à titre de référence. La configuration réelle dépendra du produit choisi)

3. ENTRETIEN DE L'APPAREIL

Nettoyage

- L'accumulation de poussière autour du congélateur doit être enlevée fréquemment pour améliorer l'effet refroidissant et assurer une économie d'énergie.
- L'intérieur du congélateur doit être nettoyé régulièrement pour éviter les odeurs. Un linge doux ou une éponge imbibée d'eau mêlé à un détergent neutre, non corrosif est conseillé pour le nettoyage. Rincer à l'eau claire et essuyé avec un chiffon sec. Ouvrez la porte pour un séchage naturel avant de remettre l'appareil sous tension.
- Ne pas utiliser de brosses dures, de laine d'acier, de brosses métalliques, d'abrasifs, de solvants organiques/acides (tels que l'alcool, l'acétone, l'huile de banane, etc.) ou d'eau bouillante pour nettoyer les surfaces intérieures et extérieures de votre appareil.
- Ne pas rincer à grande eau pour ne pas altérer les propriétés d'isolation électrique. Utilisez un chiffon sec pour nettoyer le bouton contrôle de température et les composantes électriques.
- Toujours débrancher le congélateur avant de procéder au dégivrage et/ou au nettoyage.

Dégivrage

Votre congélateur doit être dégivré manuellement.

- Débrancher l'appareil de la prise murale, ouvrir la porte et remiser tous les aliments dans un endroit frais.
- Pour éliminer le givre utiliser un grattoir en plastique spécialement conçu à cet effet ou encore laisser la glace fondre naturellement. Essuyer ensuite le reste de glace et d'eau. Une fois sec, rebranchez-le.
- N'utiliser pas dispositifs mécaniques pour accélérer le processus de dégivrage. **Attention de ne pas endommager les circuits réfrigérants.**

Arrêt d'utilisation

- Les aliments peuvent être conservés quelques heures en cas de panne de courant, même en été en réduisant la fréquence d'ouverture des portes et en n'ajoutant pas d'aliments frais dans le congélateur durant cette période.
- S'il n'est pas utilisé pendant une longue période de temps, veuillez débranchez le congélateur. Garder la porte ouverte pour éviter que ne se crée de mauvaises odeurs et/ou de la moisissure.
- Ne pas tourner à l'envers ni ne secouer le congélateur. **Si vous le pencher lors d'un déplacement l'inclinaison ne peut être supérieure à 45 °.**
- Veuillez ne pas lever, ni transporter l'appareil en le tenant par la porte et/ou la charnière.
- Veuillez ne pas arrêter le congélateur sans raison valable ceci pourrait affecter sa durée de vie.

4. DÉPANNAGE

Vous pouvez souvent résoudre plusieurs problèmes courants et vous épargner ainsi des frais de service. Essayez les suggestions ci-dessous qui peuvent s'appliquer à votre situation avant de faire appel à un professionnel. Veuillez téléphoner au service après-vente si vous ne parvenez pas à les régler.

Appareil ne fonctionne pas	<ul style="list-style-type: none"> • S'assurez de n'utiliser pas des prises avec disjoncteur de mise à la terre. • La commande est à la position « OFF » (ARRÊT). • Le congélateur n'est peut-être pas correctement branché dans la prise. Assurez-vous que la fiche est bien enfoncée dans la prise électrique. • Le fusible a sauté ou le coupe-circuit s'est déclenché. Vérifiez/réenclenchez le coupe-circuit ou remplacez le fusible. • Panne de courant. Vérifiez les lumières de la maison.
Odeurs	<ul style="list-style-type: none"> • Nettoyez l'intérieur avec une éponge, de l'eau tiède et bicarbonate de soude. Il se peut que certains aliments dégagent une odeur forte dans le congélateur. Couvrez hermétiquement ces aliments.
Le compresseur fonctionne constamment	<ul style="list-style-type: none"> • La température ambiante ou à l'extérieur est élevée. Dans ces conditions, il est normal que le congélateur fonctionne davantage. • Le congélateur a récemment été débranché pendant quelque temps. Le congélateur peut avoir besoin de 4 heures pour refroidir complètement. • De grandes quantités d'aliments chauds ou tièdes ont été rangées. Les aliments chauds font fonctionner davantage le congélateur et ce, jusqu'à ce qu'il ait atteint la température désirée. • Le congélateur a été ouvert trop longtemps ou trop fréquemment. De l'air chaud y entre à chaque fois qu'il est ouvert. • Le congélateur est peut-être légèrement ouvert. Fermez bien la porte • La commande de température est placée en position trop froide. Tournez-la à un réglage plus chaud. Attendez plusieurs heures que la température se stabilise. • Le joint d'étanchéité du congélateur est sale, usé, fendillé ou mal ajusté. Nettoyez ou remplacez le joint. Des perforations dans le joint peuvent faire fonctionner le congélateur plus longtemps et l'empêcher de maintenir la température désirée.
Porte ne peut être fermée correctement	<ul style="list-style-type: none"> • Le congélateur n'est pas mis à niveau. Ceci peut déformer la caisse et désaligner la porte. Mettre l'appareil à niveau • Le plancher est inégal ou faible. Mettre l'appareil à niveau
Bruit	<ul style="list-style-type: none"> • Le congélateur n'est peut-être pas mis à niveau. Ceci peut désaligner la porte. Mettre l'appareil à niveau • Vérifier que les accessoires soient bien positionnés dans l'appareil
Difficulté dans l'ouverture de la porte	<ul style="list-style-type: none"> • Après la réfrigération, une différence de pression se crée entre l'intérieur et l'extérieur du congélateur et entraîne une résistance passagère lors de l'ouverture de la porte. C'est un phénomène physique normal.
Condensation de la chaleur de l'enceinte du congélateur	<ul style="list-style-type: none"> • L'enceinte du congélateur peut émettre de la chaleur pendant le fonctionnement, spécialement en été. Cela est dû au rayonnement du condenseur et il s'agit d'un phénomène normal. • Condensation : un phénomène de condensation sera perceptible sur la surface extérieure et sur les joints de porte du congélateur lorsque l'humidité ambiante est importante. Il s'agit d'un phénomène normal. La condensation peut être essuyée l'aide d'un chiffon sec.
Flux d'air, bourdonnement, cliquetis	<ul style="list-style-type: none"> • Le liquide réfrigérant circulant dans les conduits émet des sons et des grognements. Ceci est normal n'affecte pas l'effet de refroidissement. • Votre congélateur émettra des bruits lorsque le compresseur fonctionne spécialement lors du démarrage ou de l'arrêt. • La vanne solénoïde ou l'interrupteur électrique peuvent cliqueter, ce qui est un phénomène normal et n'affecte pas le fonctionnement.

L2

Garantie du réfrigérateur

Cette garantie protège votre appareil:

Le service de garantie doit être obtenu auprès de L2 Consumer Services ou d'un réparateur agréé L2.

Garantie

- Deux ans garantie à compter de la date d'achat d'origine.

Par l'intermédiaire de ses réparateurs agréés, L2 s'engage à ce qui suit:

- Prise en charge tous les frais de réparation ou de remplacement de pièces de cet appareils relevant d'un défaut de matériaux ou de fabrication.

Le consommateur est responsable de ce qui suit:

- Coûts de diagnostics, d'enlèvement, de transport et de réinstallation requis.
- Coûts de visites de service qui sont le résultat de points énumérés sous.

RESPONSABILITÉS NORMALES DU CONSOMMATEUR**

Des pièces de rechange L2 seront utilisées et n'ont pas de garantie pour la période restante de la garantie d'origine.

RESPONSABILITÉS NORMALES DU CONSOMMATEUR**

Cette garantie concerne uniquement les produits en usage domestique, et le consommateur est responsable pour les éléments énumérés ci-dessous:

1. Utilisation correcte de l'appareil selon les instructions fournies avec le produit.
2. Entretien et nettoyage de routine nécessaires pour maintenir le bon état de fonctionnement.
3. Installation adéquate par un professionnel agréé conformément aux instructions fournies avec l'appareil et conformément à tous les codes de plomberie, d'électricité et/ou de gaz.
4. Connexion adéquate à une alimentation mise à la terre de tension suffisante, remplacement des fusibles grillés, réparation des connexions desserrées ou de défauts dans le câblage de la maison.
5. Frais nécessaires pour rendre l'appareil accessible pour l'entretien.
6. Dommages au fini après l'installation.

EXCLUSIONS

Cette garantie ne couvre pas ce qui suit:

- 1) Défaillance causée par des dommages à l'appareil pendant qu'il est en votre possession (autres que les dommages causés par un défaut ou un dysfonctionnement), par une mauvaise installation, ou par une utilisation déraisonnable du produit, y compris, sans limitation, le défaut de fournir un entretien raisonnable et nécessaire ou de suivre les instructions écrites d'installation et d'utilisation.
- 2) Produits achetés "tel quel" ou remis à neuf ne sont pas couverts par la garantie.
- 3) Perte d'aliments causée par une panne du réfrigérateur ou congélateur.
- 4) Visites de service pour réparer ou remplacer les consommables tels que: filtres à eau, ampoules, filtres à air, etc., ou poignées, boutons et autres pièces cosmétiques.
- 5) Un produit qui n'appartient plus à son propriétaire initial.
- 6) Rouille à l'intérieur ou à l'extérieur de l'appareil.
- 7) Dommages causés par le dépannage ou l'entretien effectué par des personnes autres que des techniciens autorisés L2, l'utilisation de pièces autres que les pièces de rechange L2, obtenues de personnes autres que le service à la clientèle L2, ou par des causes externes telles que: utilisation abusive, alimentation électrique inadéquate ou désastre naturel.
- 8) Visites de service résultant d'une mauvaise installation de votre produit.
- 9) Visites de service pour vous instruire sur l'utilisation de votre produit.
- 10) Surtaxes, y compris, mais sans s'y limiter, après les heures ouvrables, le weekend ou les jours fériés, les droits de péages, les frais de voyage, de convoyage ou de kilométrage pour les visites de service dans les régions éloignées, état de l'Alaska inclus.
- 11) Si l'appareil est utilisé à des fins commerciales, mis en location, ou toute autre utilisation ou application autre que pour l'usage du consommateur, nous ne donnons aucune garantie, expresse ou implicite, y compris mais sans s'y limiter, toute garantie implicite de valeur marchande ou d'aptitude à utilisation ou à but spécial.
- 12) Un produit qui a été emmené à l'extérieur des États-Unis ou du Canada.
- 13) Produits sans numéros de série d'origine ou dont les numéros de série ont été modifiés ou ne peuvent pas être facilement déterminés.

Remarque: Certains états n'autorisent pas l'exclusion ou la limitation de dommages circonstanciels ou consécutifs. Cette limitation ou exclusion peut donc ne pas s'appliquer à vous.

SI VOUS AVEZ BESOIN DE SERVICE APRÈS VENTE

Gardez votre facture de vente, de livraison ou une autre preuve de paiement appropriée. La date de la facture établit la période de garantie si une réparation est nécessaire. Si le service est effectué, il est dans votre intérêt d'obtenir et de conserver tous les reçus. Cette garantie vous donne des droits juridiques spécifiques. Vous pouvez également avoir d'autres droits, qui varient d'état à état.

Tout service sous garantie doit être obtenu en suivant les étapes suivantes, dans l'ordre:

1. Contacter L2 Consumer Services ou un réparateur L2 autorisé au +1-866-646-4332.
2. Pour savoir où obtenir le service, contactez notre service Relations avec les consommateurs.