

# SAFETY AND INSTALLATION INSTRUCTIONS

## IMPORTANT TO BE READ AND OBSERVED:

Before using the appliance, read these safety instructions. Keep them nearby for future reference. These instructions and the appliance itself provide important safety warnings, to be observed at all times. The manufacturer declines any liability for failure to observe these safety instructions, for inappropriate use of the appliance or incorrect setting of controls.

**NOTE:** For Operating Instructions, refer to the Quick Start Guide provided with the product and online documentation. How to access the online documentation is located on the Quick Start Guide along with QR code on the product for future reference.

## Your safety and the safety of others are very important.

We have provided many important safety messages in this manual and on your appliance. Always read and obey all safety messages.



This is the safety alert symbol.

This symbol alerts you to potential hazards that can kill or hurt you and others.

All safety messages will follow the safety alert symbol and either the word "DANGER" or "WARNING." These words mean:

**⚠ DANGER**

You can be killed or seriously injured if you don't immediately follow instructions.

**⚠ WARNING**

You can be killed or seriously injured if you don't follow instructions.

All safety messages will tell you what the potential hazard is, tell you how to reduce the chance of injury, and tell you what can happen if the instructions are not followed.

## IMPORTANT SAFETY INSTRUCTIONS

**WARNING:** To reduce the risk of fire, electric shock, or injury to persons when using your appliance, follow basic precautions, including the following:

- Read all instructions before using the appliance.
- Do not wash articles that have been previously cleaned in, washed in, soaked in, or spotted with gasoline, dry-cleaning solvents, or other flammable or explosive substances, as they give off vapors that could ignite or explode.
- Do not add gasoline, dry-cleaning solvents, or other flammable or explosive substances to the wash water. These substances give off vapors that could ignite or explode.
- Under certain conditions, hydrogen gas may be produced in a hot-water system that has not been used for 2 weeks or more. HYDROGEN GAS IS EXPLOSIVE. If the hot-water system has not been used for such a period, before using a washing machine, turn on all hot-water faucets and let the water flow from each for several minutes. This will release any accumulated hydrogen gas. As the gas is flammable, do not smoke or use an open flame during this time.
- Do not allow children to play on or in the appliance. Close supervision of children is necessary when the appliance is used near children.
- Before the appliance is removed from service or discarded, remove the door.
- Do not reach into the appliance if the tub or agitator is moving.
- Do not install or store this appliance where it will be exposed to the weather.
- Do not tamper with controls. Do not repair or replace any part of the appliance or attempt any servicing unless specifically recommended in the user maintenance instructions or in published user-repair instructions that you understand and have the skills to carry out.
- Do not use replacement parts that have not been recommended by the manufacturer (e.g. parts made at home using a 3D printer).
- See the Installation Instructions for grounding requirements and installation.

## SAVE THESE INSTRUCTIONS

### WARNING

Certain Internal parts are intentionally not grounded and may present a risk of electrical shock only during servicing. Service personnel – Do not contact any component that is not an integral part of the frame or metal cabinet

# INSTALLATION INSTRUCTIONS

**WARNING:** To reduce the risk of fire, electric shock, or injury to persons, read the Installation, User Maintenance and Operating Instructions online, before installing this appliance.

The following requirements are provided as a supplemental reference only. These requirements are not intended to replace the Installation Instructions.

To access the full Installation, User Maintenance and Operating Instructions online, refer to the Quick Start Guide provided with the product.

## GROUNDING INSTRUCTIONS

### For a grounded, cord-connected appliance:

This appliance must be grounded. In the event of a malfunction or breakdown, grounding will reduce the risk of electric shock by providing a path of least resistance for electric current. This appliance is equipped with a cord having an equipment-grounding conductor and a grounding plug. The plug must be plugged into an appropriate outlet that is properly installed and grounded in accordance with all local codes and ordinances.

**WARNING:** Improper connection of the equipment grounding conductor can result in a risk of electric shock. Check with a qualified electrician or service technician if you are in doubt as to whether the appliance is properly grounded. Do not modify the plug provided with the appliance: if it will not fit the outlet, have a proper outlet installed by a qualified electrician.

**SAVE THESE INSTRUCTIONS**

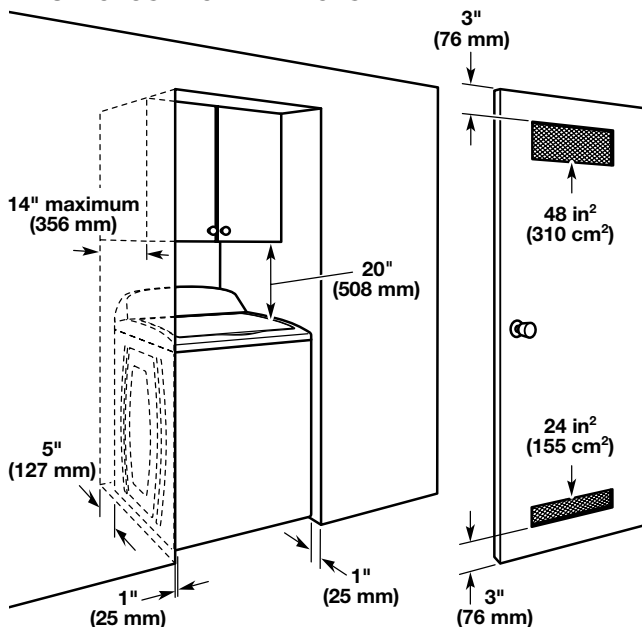
## INSTALLATION REQUIREMENTS

### ⚠️ WARNING

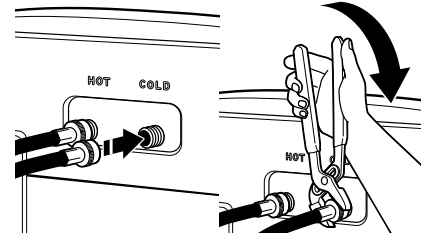
#### Excessive Weight Hazard

Use two or more people to move and install washer.  
Failure to do so can result in back or other injury.

## MINIMUM CLOSET CLEARANCES



## CONNECT INLET HOSES



Attach hot water hoses to hot water inlet valve and cold water hoses to cold water inlet valve. Do not overtighten hose or use tape or sealants on valve. Damage to the valves or property can result.

## DRAIN SYSTEM

**IMPORTANT:** Make sure to attach drain hose to product. Insert no more than 4.5" (114 mm) of drain hose inside standpipe, and secure drain hose. For more information, refer to the Installation Instructions online.

## ELECTRICAL REQUIREMENTS

### ⚠️ WARNING



#### Electrical Shock Hazard

Plug into a grounded 3 prong outlet.

Do not remove ground prong.

Do not use an adapter.

Do not use an extension cord.

Failure to follow these instructions can result in death, fire, or electrical shock.

## WASHER MAINTENANCE AND CARE

### WATER INLET HOSES

Replace inlet hoses after 5 years of use to reduce the risk of hose failure. Periodically inspect and replace inlet hoses if bulges, kinks, cuts, wear, or leaks are found.

When replacing your inlet hoses:

- Mark the date of replacement on the label with a permanent marker.
- Check that the old washers are not stuck on the appliance inlet valves.
- Use new washers in the new inlet hoses to ensure a proper seal.

**NOTE:** Do not use old hoses. Property damage can result. This appliance may not include inlet hoses. See online installation instructions for more information.

### WASHER CARE

Recommendations to Help Keep Your Washer Clean and Performing at its Best:

1. Always use High Efficiency (HE) detergents and follow the HE detergent manufacturer's instructions regarding the amount of HE detergent to use. Do not use more than the recommended amount because that may increase the rate at which detergent and soil residue accumulate inside your washer, which in turn may result in undesirable odor.

2. Use warm and hot wash water settings sometimes (not exclusively cold water washes), because they do a better job of controlling the rate at which soils and detergent accumulate.
3. Always leave the washer lid/door open between uses to help dry out the washer and avoid the buildup of odor-causing residue.

**FOR FRONT LOAD MODELS ONLY:**

4. Periodically clean residue from all interior surfaces of the window. For better care, wipe the entire inside of the door with a damp cloth.
5. Always follow door seal maintenance instructions to clean the door seal. Go online for complete instructions.

**NON-USE AND VACATION CARE:**

**Operate your washer only when you are home. If moving, or not using your washer for a period of time, follow these steps:**

1. Unplug or disconnect power to the washer.
2. Turn off the water supply to the washer, to avoid flooding due to water pressure surge.  
**HELPFUL TIP:** Attach a reminder note to the washer to turn the water back on before washer's next use.
3. Clean the Dispensers. Not all models are equipped with dispensers. If your model has dispensers, refer to the Cleaning Dispensers section online.

**WINTER STORAGE CARE**

**IMPORTANT:** To avoid damage, install and store washer where it will not freeze. Because some water may stay in hoses, freezing can damage the washer. If storing or moving during freezing weather, winterize your washer.

**To winterize washer:**

1. Shut off both water faucets; disconnect and drain water inlet hoses.  
**HELPFUL TIP:** Attach a reminder note to the washer to turn the water back on before washer's next use.
2. Put 1 quart (1 L) of R.V. type antifreeze in basket and run washer on Drain/Spin cycle for about 30 seconds to mix antifreeze and remaining water.
3. Unplug washer or disconnect power.

**TRANSPORTING YOUR WASHER**

1. Shut off both water faucets. Disconnect and drain water inlet hoses.
2. If washer will be moved during freezing weather, follow "Winter Storage Care" directions before moving.
3. Disconnect drain hose from drain system and from back of washer.
4. Unplug power cord.
5. Place inlet hoses and drain hose inside washer basket.
6. Bundle power cord with a rubber band or cable tie to keep it from hanging to the ground.

**FOR FRONT LOAD MODELS ONLY:**

**IMPORTANT:** Call for service to install new transport bolts. Do not reuse transport bolts. Washer must be transported in the upright position. To avoid structural damage to your washer, it must be properly set up for relocation by a certified technician.

7. **FOR TOP LOAD MODELS ONLY:** Place packing tray from original shipping materials back inside washer. If you do not have packing tray, place heavy blankets or towels into basket opening. Close lid and place tape over lid and down front of washer. Keep lid taped until washer is placed in new location. Transport washer in upright position.

**REINSTALLING/USING WASHER AGAIN**

To reinstall washer after non-use, vacation, winter storage, or moving:

1. Refer to Installation Instructions online for more information to locate, level, and connect the washer.
2. Before using again, run washer through the following recommended procedure:

**To use washer again:**

1. Flush water pipes and hoses. Reconnect water inlet hoses. Turn on both water faucets.
2. Plug into a grounded 3-prong outlet or reconnect power.
3. Run the washer through a full cycle (Clean Washer cycle if preferred, if equipped) to clean washer and remove antifreeze, if used. Use only HE (High Efficiency) detergent. Use 1/2 the manufacturer's recommended amount for a medium-size load.