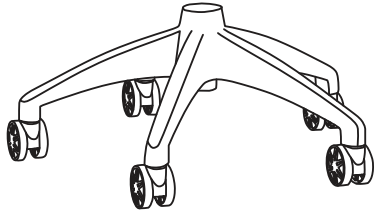
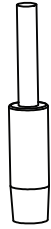


Liam Assembly Instructions

Parts List:



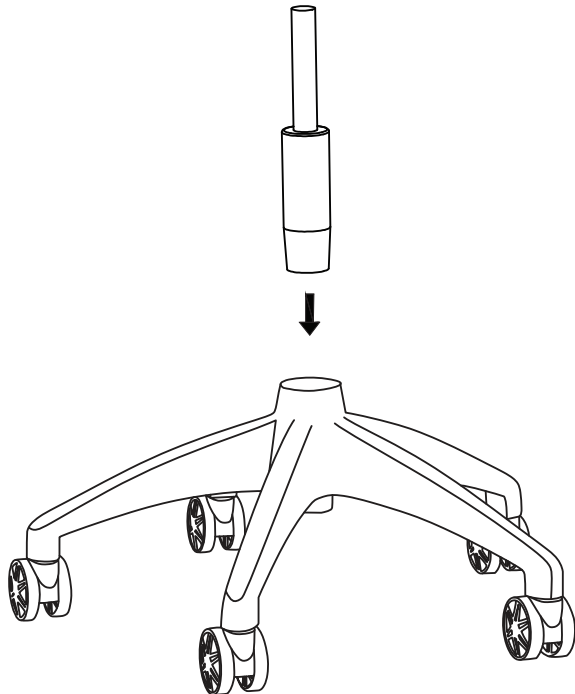
Base & Casters



Gas Lift

Assembly Steps:

Step 1: Insert Gas Lift into Base



Step 2: Attach Gas Lift to Seat

