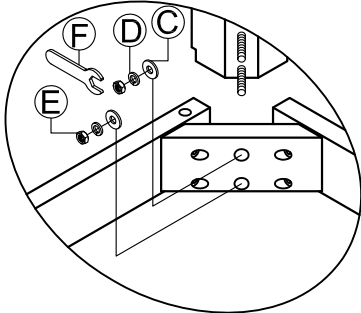


ASSEMBLY INSTRUCTIONS

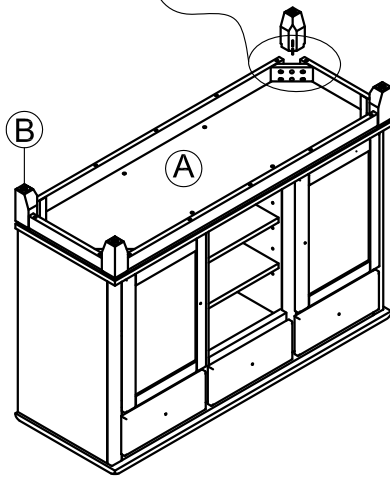
ITEM NO : KA-CA-5436P-RAI-C

WINE SERVER

Thank you for purchasing this quality product. Be sure to check all packing material carefully for small parts that may have come loose inside the carton during shipment. Please keep all hardware out of reach of small children



STEP 1

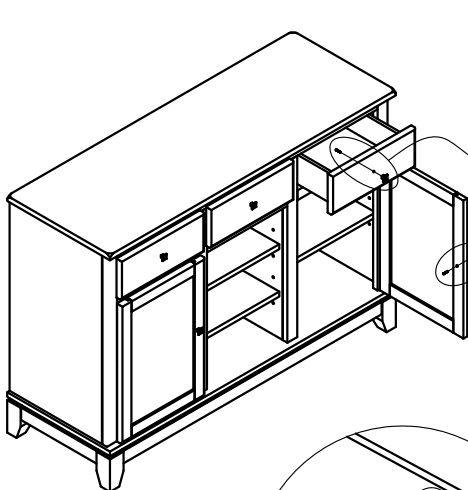


PARTS LIST :

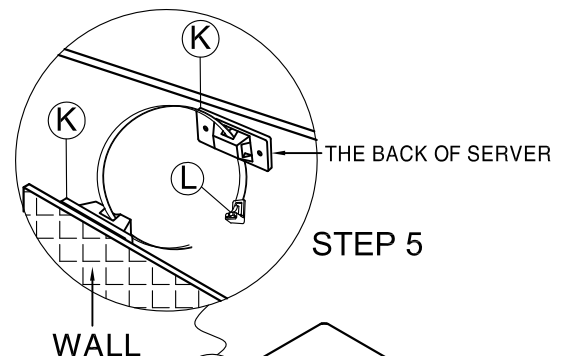
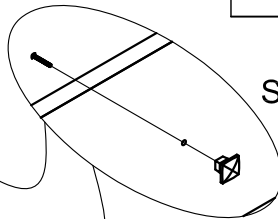
NO.	DESCRIPTION	SKETCH	QTY
A	Side Board		1 pc
B	Leg		4 pcs

HARDWARE LIST :

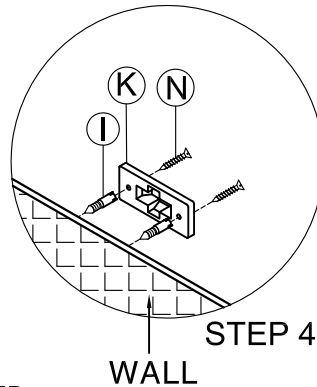
NO.	DESCRIPTION	SIZE	SKETCH	QTY
C	Flat Washer	$\phi 5/16$ "x $\phi 19$ mm		8 pcs
D	Spring Washer	$\phi 5/16$ "x $\phi 13$ mm		8 pcs
E	Hex- Nut	$\phi 5/16$ "x12		8 pcs
F	Wrench	12mmx75mm		1 pc
N	Screw	$\phi 7$ mmx $\phi 3.5$ mmx25mm		2 pcs
M	Screw	$\phi 7$ mmx $\phi 3.5$ mmx16mm		2 pcs
I	Wall Mounts	$\phi 9$ mmx27mm		2 pcs
K	Mounting Plates	47mmx22mmx9mm		2 pcs
L	Secure Band	310mmx12mmx8mm		1 pc



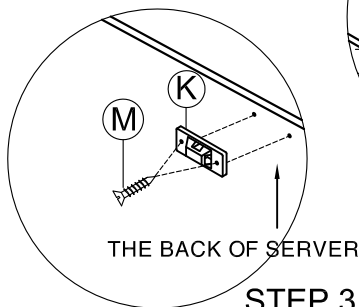
STEP 2



STEP 5



STEP 4

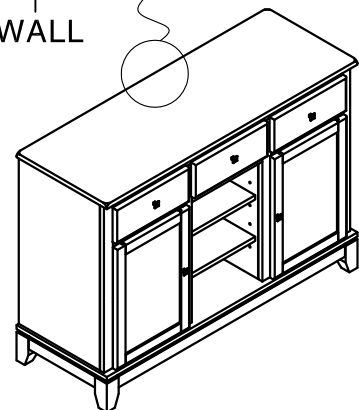


STEP 3

THE BACK OF SERVER

WALL

WALL



TO INSTALL THE SAFETY WALL STRAP

MADE IN VIETNAM