

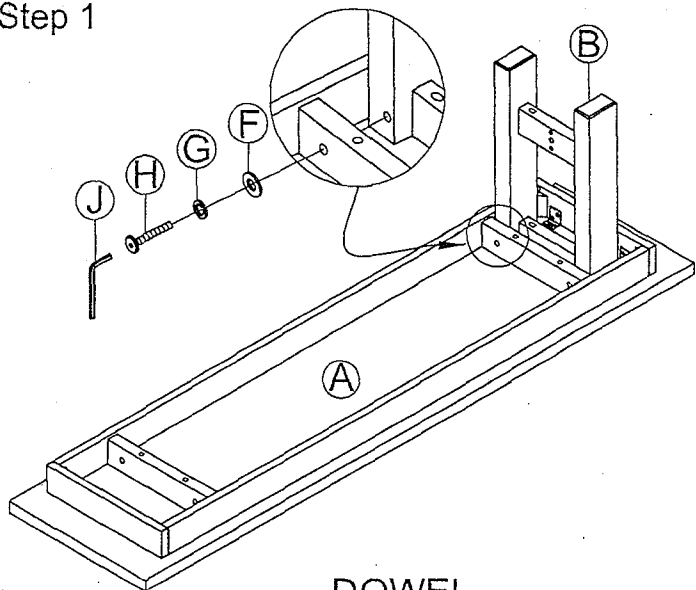
ASSEMBLY INSTRUCTIONS

ITEM NO: KA-CH-1560WB-RAI-RTA

DINING BENCH

Thank you for purchasing this quality product. Be sure to check all packing material carefully for small parts that may have come loose inside the carton during shipment.
Please keep all hardware out of reach of small children

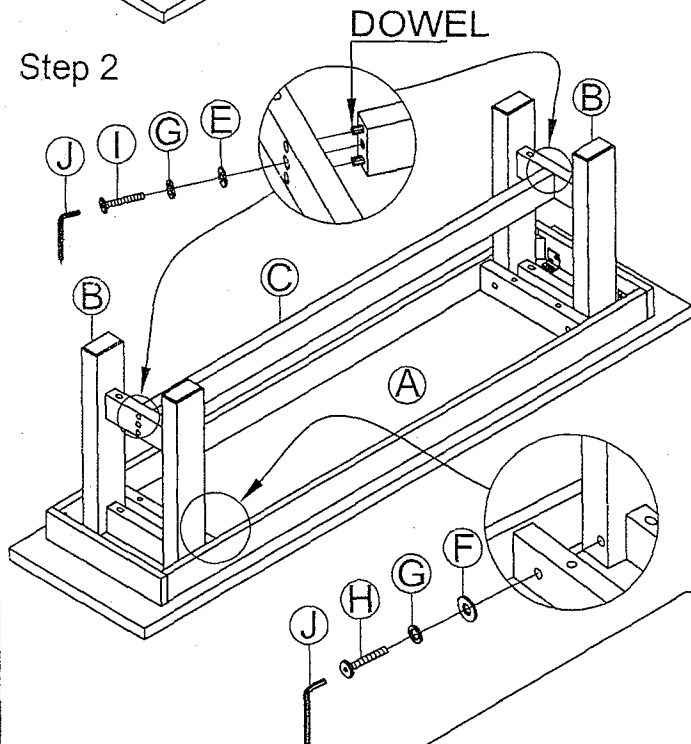
Step 1



PARTS LIST FOR 1 CHAIR:

NO.	DESCRIPTION	SKETCH	QTY
A	Seat Frame		1 pc
B	Chair Leg		2 pcs
C	Stretcher		1 pc
D	Caps		2 pcs

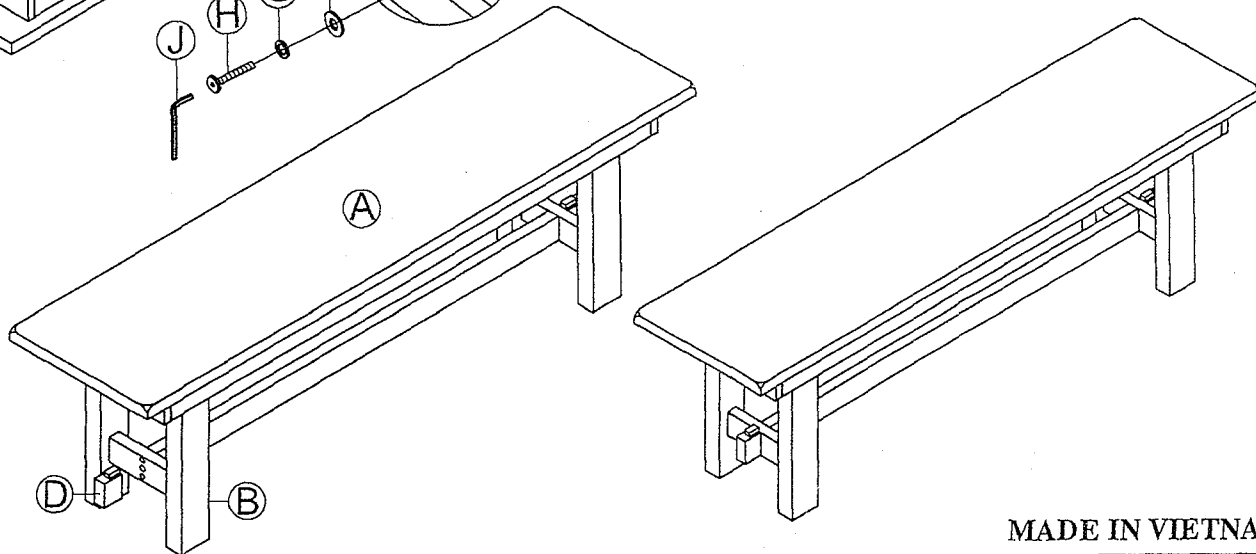
Step 2



HARDWARE LIST FOR 1 CHAIR:

NO.	DESCRIPTION	SIZE	SKETCH	QTY
E	Small Washer	$\phi 1/4" \times \phi 12\text{mm}$		2 pcs
F	Flat Washer	$\phi 5/16" \times \phi 19\text{mm}$		4 pcs
G	Spring Washer	$\phi 5/16" \times \phi 12\text{mm}$		6 pcs
H	Long Bolt	$\phi 5/16" \times 45\text{mm}$		4 pcs
I	Short Bolt	$\phi 1/4" \times 38\text{mm}$		2 pcs
J	Allen key	58mmx23mmx4mm		1 pc

Step 3



MADE IN VIETNAM