

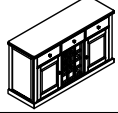
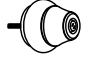
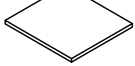
ASSEMBLY INSTRUCTIONS

ITEM NO : KA-CA-5836-RAI-C

58"X36" SERVER W/WINE STORAGE

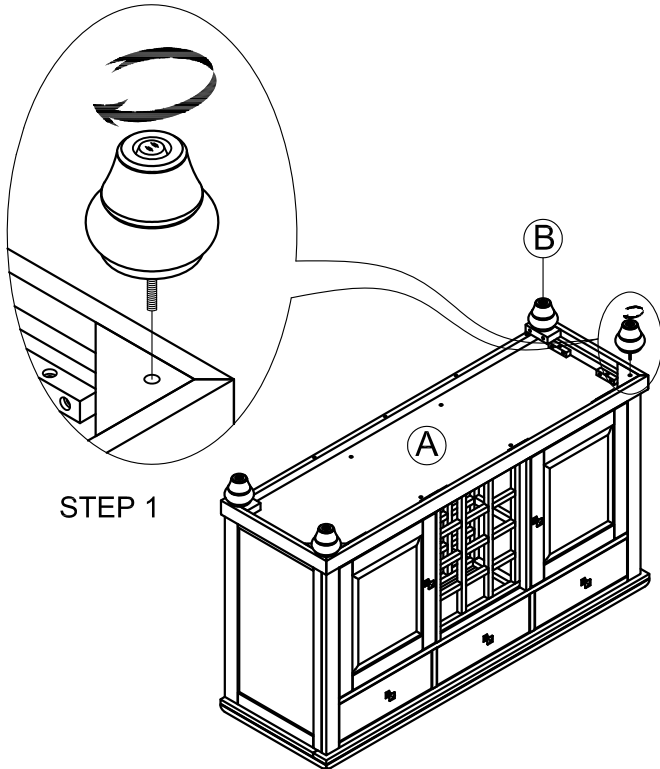
Thank you for purchasing this quality product. Be sure to check all packing material carefully for small parts that may have come loose inside the carton during shipment. Please keep all hardware out of reach of small children

PARTS LIST :

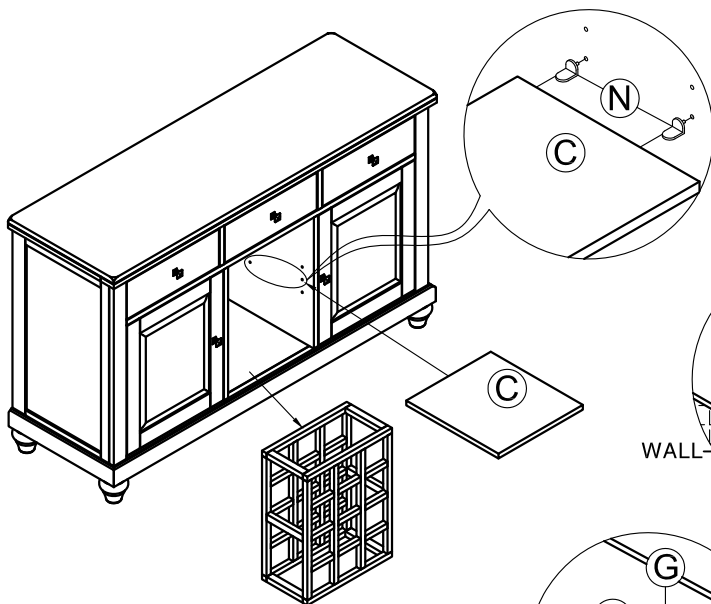
| NO. | DESCRIPTION | SKETCH | QTY |
|-----|-------------|---|-------|
| A | Side Board |  | 1 pc |
| B | Leg |  | 4 pcs |
| C | Shelve |  | 1 pc |

HARDWARE LIST :

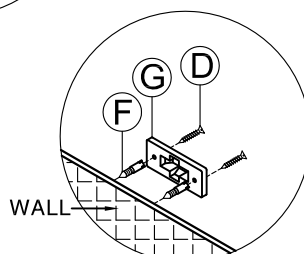
| NO. | DESCRIPTION | SIZE | SKETCH | QTY |
|-----|-----------------|------------------|---|-------|
| D | Screw | φ7mmxφ3.5mmx25mm |  | 2 pcs |
| E | Screw | φ7mmxφ3.5mmx16mm |  | 2 pcs |
| F | Wall Mounts | φ9mmx27mm |  | 2 pcs |
| G | Mounting Plates | 47mmx22mmx9mm |  | 2 pcs |
| H | Secure Band | 310mmx12mmx8mm |  | 1 pc |
| N | Shelf Supporter | 27mmx12mmx15mm |  | 4 pcs |



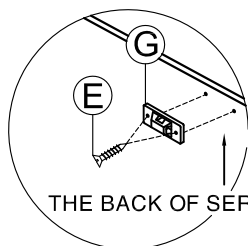
STEP 1



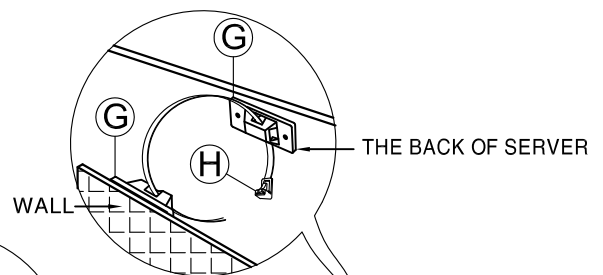
Please take note that the wine rack and shelf can be replaced to use instead of assembling together.



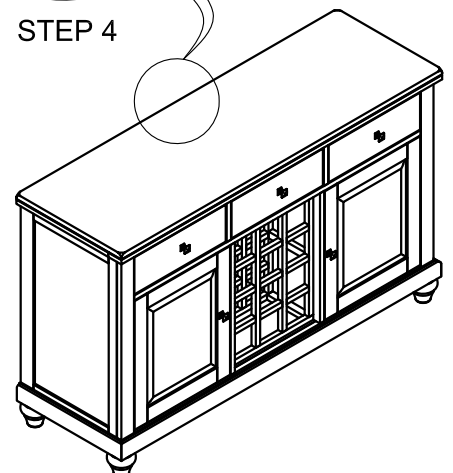
STEP 3



STEP 2



STEP 4



TO INSTALL THE SAFETY WALL STRAP

MADE IN VIETNAM