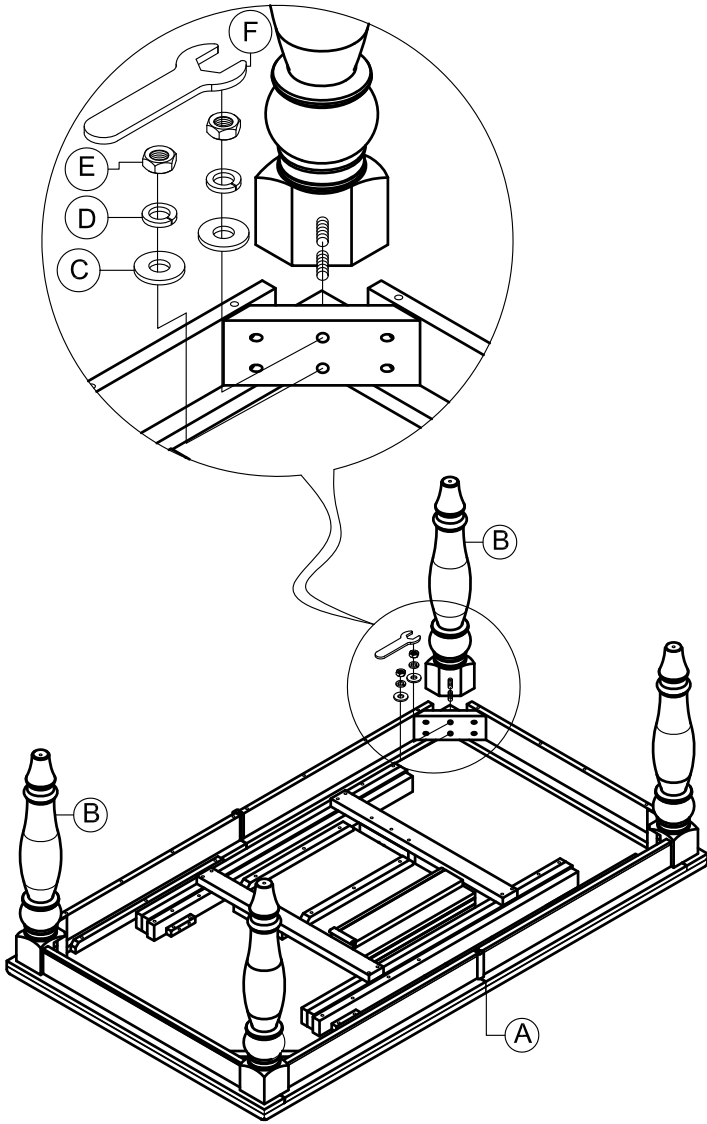


# ASSEMBLY INSTRUCTIONS

ITEM NO : KG-TA-4290B-RAI-C

42"X 72-90" FOUR LEG TABLE W/BFLY

Thank you for purchasing this quality product. Be sure to check all packing material carefully for small parts that may have come loose inside the carton during shipment. Please keep all hardware out of reach of small children



STEP 1

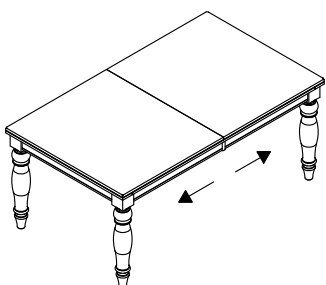
PARTS LIST :

NO.	DESCRIPTION	SKETCH	QTY
A	TABLE TOP		1 pc
B	LEG		4 pcs

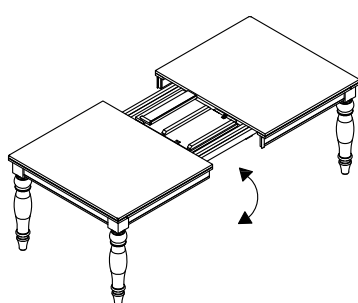
HARDWARE LIST :

NO.	DESCRIPTION	SIZE	SKETCH	QTY
C	Flat Washer	φ3/8"x φ20mm		8 pcs
D	Spring Washer	φ3/8"x φ16mm		8 pcs
E	Hex Nut	φ3/8"x14mm		8 pcs
F	Wrench	14 x87mm		1 pc

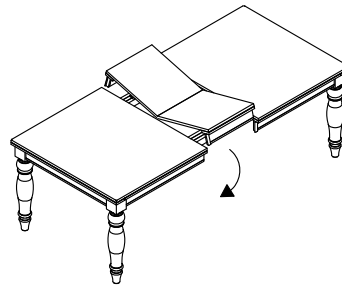
MADE IN VIETNAM



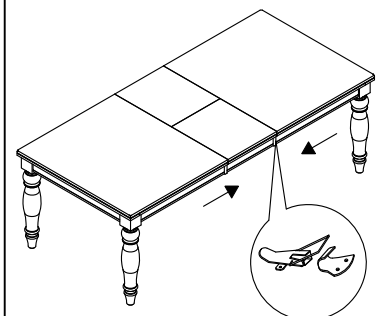
STEP 2



STEP 3



STEP 4



STEP 5