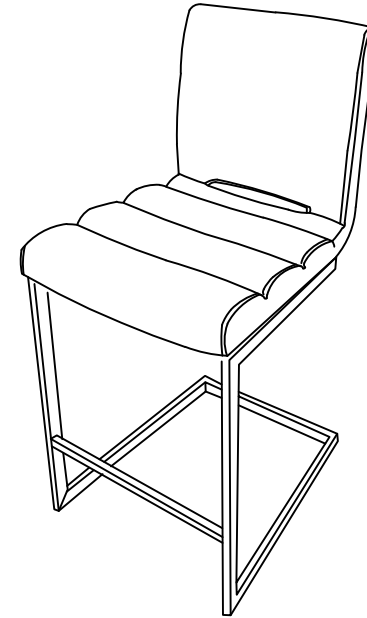
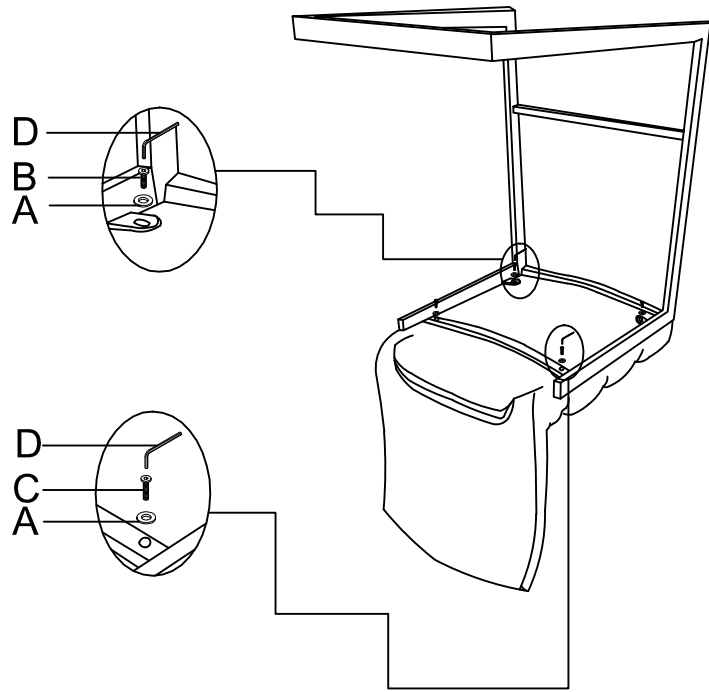

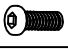




# ASSEMBLY INSTRUCTION

ITEM NAME: DYANE      MODEL NUMBER: G5115 CHAIR



Note: Please do not tighten all bolts until the item is fully assembled. Once assembled tighten all bolts.  
 Not for commercial use.

G5115 HARDWARE			
A	X4		Φ6*18
B	X2		M6x15
C	X2		M6*25
D	X1		M5