



30" Front Control Electric Range

Electric Range

Available Products: FCFE306CAS, FCFE306CAW

Available Colors: Stainless Steel, White

Version: 04/23

Product Specifications

Cooktop

| | |
|-----------------------------|--------|
| Cooking Surface Type | Smooth |
| Element On Indicator Light | Yes |
| Hot-Surface Indicator Light | Yes |

Cooking Controls

| | |
|-----------------------------|-----|
| Bake | Yes |
| Broil | Yes |
| Cancel | Yes |
| Clear Off | Yes |
| Clock | Yes |
| Cook Time | Yes |
| Delay Start | Yes |
| Keep Warm | Yes |
| Kitchen Timer | Yes |
| Lockout | Yes |
| On / Off (for each element) | Yes |
| Oven Light | Yes |
| Preheat | Yes |
| Probe | No |
| Steam Clean | Yes |
| Temperature Display | Yes |
| Timed Bake | Yes |
| Timer On / Off | Yes |
| Warm Zone | Yes |

Oven

| | |
|--------------------------|----------------|
| Bake Element | 2,500 Watts |
| Bake Element Pass | 8 |
| Bake Element Type | Hidden |
| Bake System | Yes |
| Broil Element | 3,000 Watts |
| Broil Element Pass | 4 |
| Broil System | Yes |
| Cleaning System | Yes |
| Number of Rack Positions | 6 |
| Oven Interior Color | Midnight Black |
| Oven Light Quantity | 1 |
| Oven Light Type | Halogen |
| Oven Light Watts | 40 Watts |
| Rack Position Type | Embossed |
| Rack Type 1 | Flat |
| Rack Type 1 Quantity | 2 |

Cooktop Performance

| | |
|--|-------------|
| Right Front Element Burner Size | 9" |
| Right Rear Element Burner Size | 6" |
| Left Front Element Burner Size (Small) | 6" |
| Left Front Element Burner Size (Large) | 9" |
| Left Rear Element Burner Size | 6" |
| Right Front Element Burner | 3,200 Watts |
| Right Rear Element Burner | 1,200 Watts |
| Left Front Element Burner (Small) | 1,400 Watts |
| Left Front Element Burner (Large) | 3,000 Watts |
| Left Rear Element Burner | 1,200 Watts |
| Center Rear Element Burner | 100 Watts |

Cooking Controls Function

| | |
|-------------------------------|-----|
| Delayed Bake | Yes |
| Program Fahrenheit or Celsius | Yes |
| Silent Control Panel | Yes |

Drawer

| | |
|---------------------|------------|
| Drawer Handle Style | Integrated |
| Drawer Type | Storage |

Display

| | |
|-------------------------|------------------|
| Control Location | Front |
| Display Interface Color | White |
| Display Type | Capacitive Touch |

Electrical Specifications

| | |
|--------------------------|---------|
| Connected Load @ 240V | 12 kW |
| Minimum Circuit Required | 40 Amps |
| Voltage Rating | 240 V |

Certifications and Approvals

| | |
|---------------|-----|
| ADA Compliant | Yes |
|---------------|-----|

Controls

| | |
|--------------|----|
| Control Lock | No |
| Sabbath Mode | No |

Dimensions and Volume

| | |
|--------------------------|-------------|
| Minimum Height | 35 3/8" |
| Maximum Height | 36 3/8" |
| Width | 30" |
| Depth | 26" |
| Depth With Door 90° Open | 47 5/16" |
| Depth With Handle | 28 1/2" |
| Oven Interior Height | 18 1/8" |
| Oven Interior Width | 25 3/16" |
| Oven Interior Depth | 19 7/8" |
| Oven Capacity | 5.3 Cu. Ft. |

General Specifications

| | |
|------------------|--------|
| Prop 65 Label | Yes |
| Warranty - Labor | 1 Year |
| Warranty - Parts | 1 Year |

Safety Certifications and Approvals

| | |
|------------|-----|
| UL Listed | Yes |
| cUL Listed | Yes |

Installation Diagram

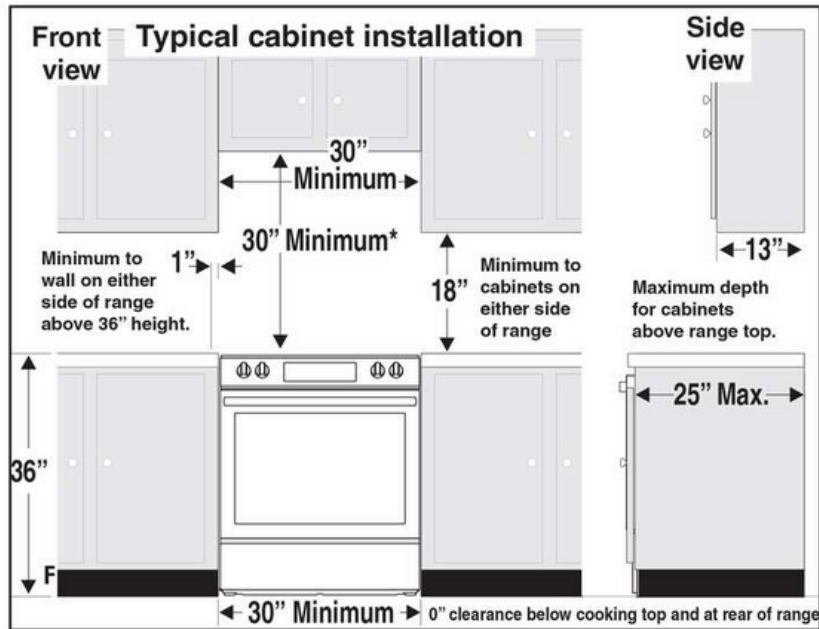


Fig. 1

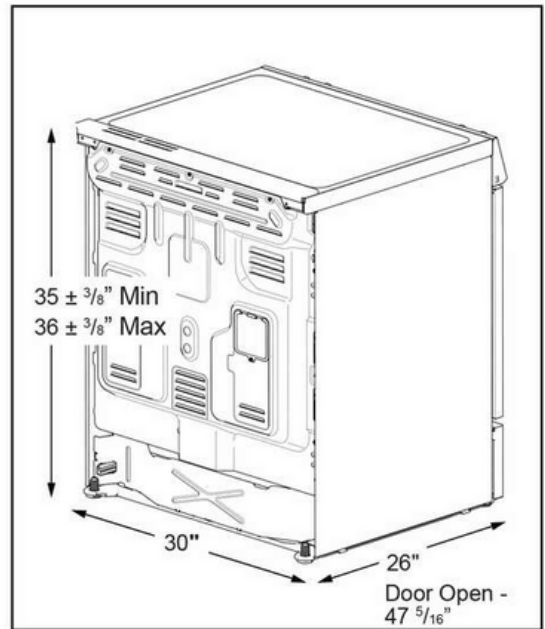


Fig. 2

*30" (762 mm) MINIMUM CLEARANCE BETWEEN THE TOP OF THE COOKING SURFACE AND THE BOTTOM OF AN UNPROTECTED WOOD OR METAL CABINET; OR 24" (610 mm) MINIMUM WHEN BOTTOM OF WOOD OR METAL CABINET IS PROTECTED BY NOT LESS THAN 1/4" (6 mm) FLAME RETARDANT MILLBOARD COVERED WITH NOT LESS THAN NO. 28 MSG SHEET STEEL, 0.015" (0.4 mm) STAINLESS STEEL, 0.024" (0.6 mm) ALUMINUM OR 0.020" (0.5 mm) COPPER. 0" (0 mm) CLEARANCE IS THE MINIMUM FOR THE REAR OF THE RANGE. FOLLOW ALL DIMENSION REQUIREMENTS PROVIDED ABOVE TO PREVENT PROPERTY DAMAGE, POTENTIAL FIRE HAZARD, AND INCORRECT COUNTERTOP AND CABINET CUTS.

TO ELIMINATE THE RISK OF BURNS OR FIRE BY REACHING OVER HEATED SURFACE UNITS, CABINET STORAGE SPACE LOCATED ABOVE THE SURFACE UNITS SHOULD BE AVOIDED. IF CABINET STORAGE IS TO BE PROVIDED, THE RISK CAN BE REDUCED BY INSTALLING A RANGE HOOD THAT PROJECTS HORIZONTALLY A MINIMUM OF 5" (127 mm) BEYOND THE BOTTOM OF THE CABINETS.

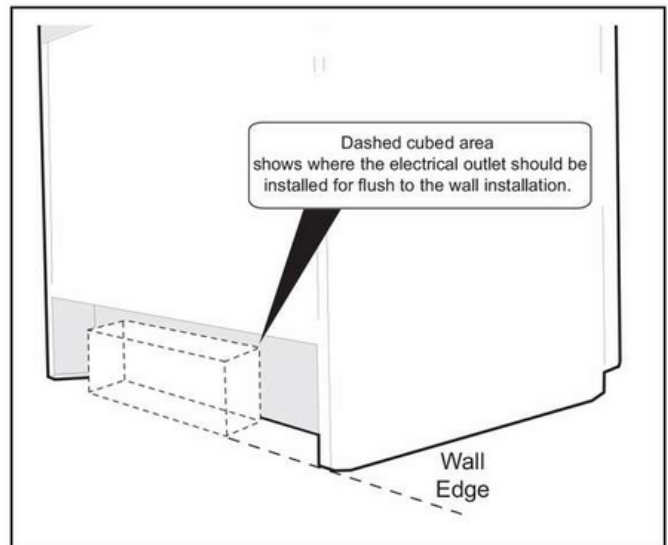


Fig. 3