

19G88112

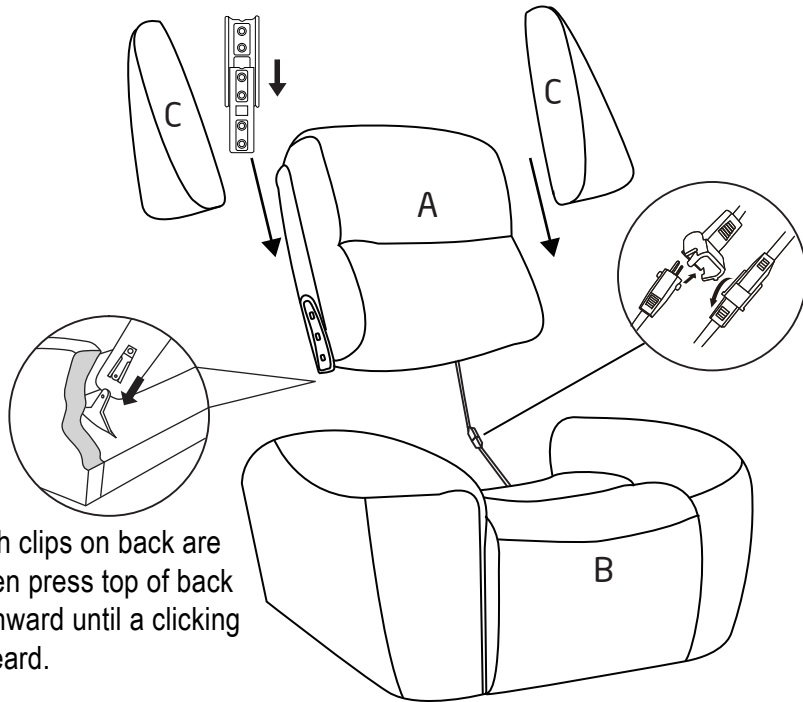
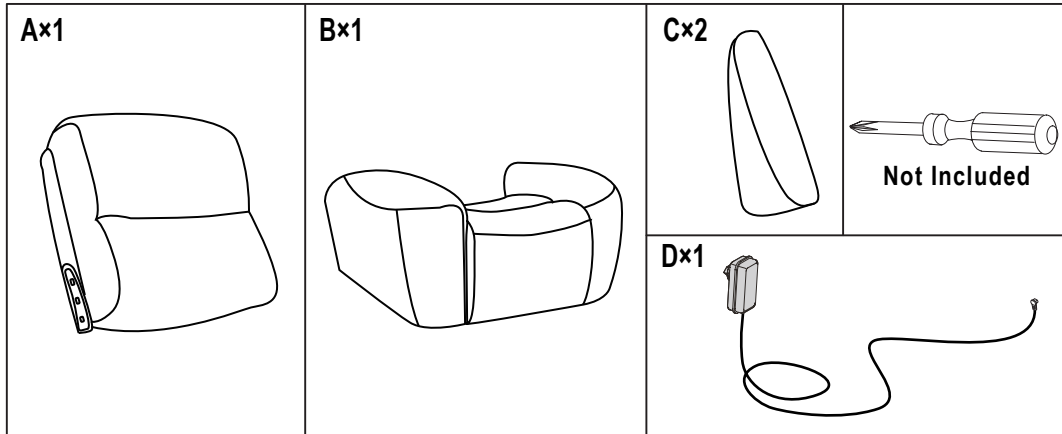
OWNER'S MANUAL

3PWR RECLINER-SMOKE

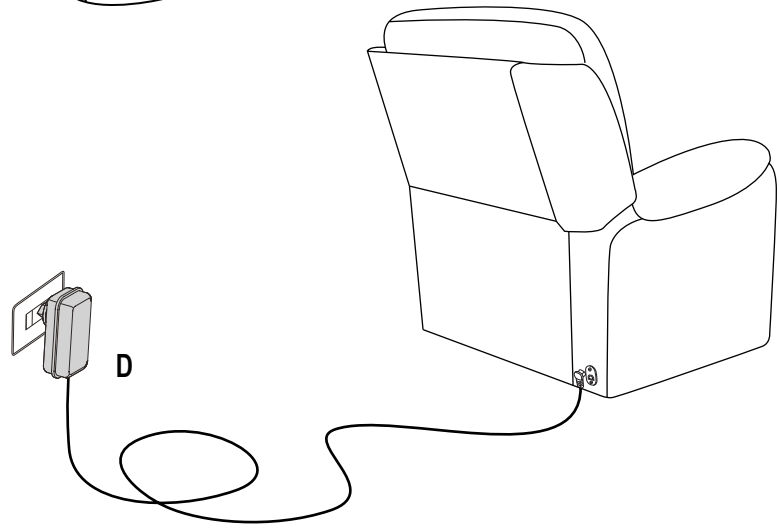
Thank you for purchasing this quality product. Be sure to check all packing material carefully for small parts that may have come loose inside the carton during shipment.

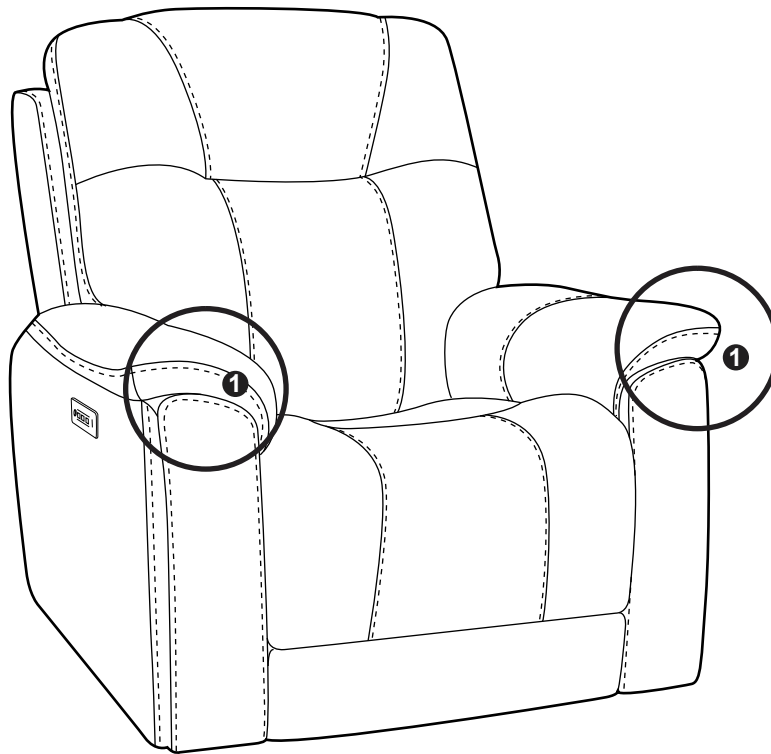
Inside the carton you will find two red plastic bags that have the recliner's wings in it. Remove the wings from the plastic bag and set them aside to be used in assembly and installation.

Make sure to read the instructions below before assembling your Recliner.



Ensure both clips on back are aligned, then press top of back frame downward until a clicking sound is heard.





To use the hidden cup holder: Push the front of the arm ① as illustrated to gain access to the hidden cup holder.

Do Not plug the power cord into a power outlet until your recliner is fully assembled and in placed.

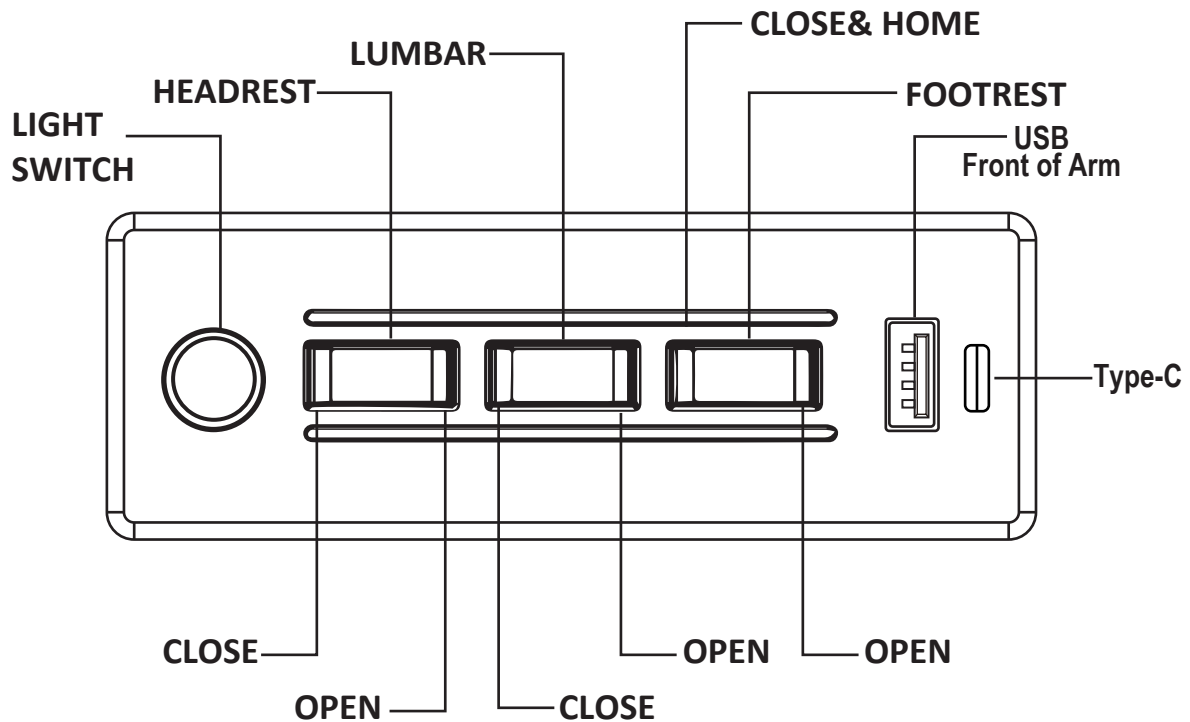
Notes:

- 1) To help prevent shock and or damage to your product only plug the power cord into a grounded outlet.
- 2) Read the operating instructions carefully before operating your power recliner.

IMPORTANT NOTE

- To avoid any risk of suffocation to children or pets, dispose of all plastic bags immediately.
- To ensure proper performance, occasionally check for loose screws and tighten as needed.

SIDE CONTROL USER'S MANUAL



To recline: Sit on the furniture, and press the front of the button closest to the footrest to smoothly raise the footrest and recline to any position. To lower the footrest and return to an upright position, press the back side of the button closest to the footrest.

To adjust headrest: Press the front of the button closest to the backrest to smoothly raise and adjust the headrest to any position. To lower the headrest and return it to its original position, press the back side of the button closest to the backrest.

To adjust lumbar support: Press the front of the center button to smoothly raise and adjust the lumbar support to any position. To lower the lumbar support and return it to its original position, press the back side of the center button.

To close all: To simultaneously return the headrest, footrest, and lumbar support to their original positions, press and hold the back side of the button closest to the footrest.

To turn on the led lights: Press the light switch button to turn on/off the cup holder lights and led lights under the arms.

Customer Service

If you have any questions regarding the use of this unit, or find that your unit needs service, please contact your retailer.

Product Protected By Following Patents:
Patented Power Hidden Cupholder
US Patent: 10,681,987
Patented Articulating Power Headrest & Lumbar
Us Patent: 10,736,423