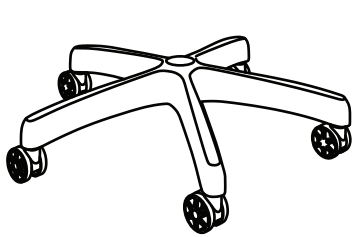
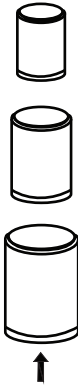


Elijah Assembly Instructions

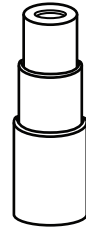
Parts List:



Base & Casters



Cover Can Assembled



Gas Lift



Washer



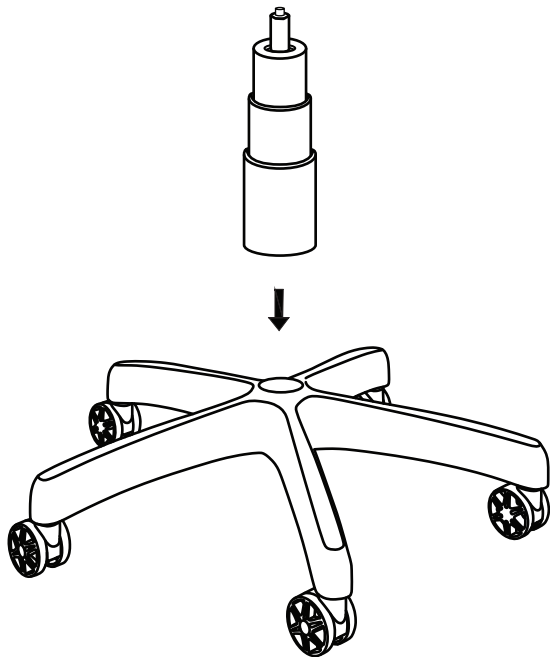
Lock Washer



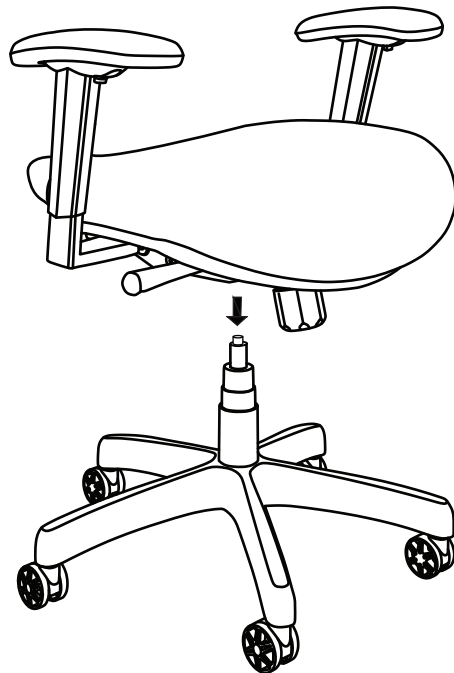
Hand Wheel

Assembly Steps:

Step 1: Insert Gas Lift into Base



Step 2: Attach Gas Lift to Seat



Step 3: Attach Back to Seat

