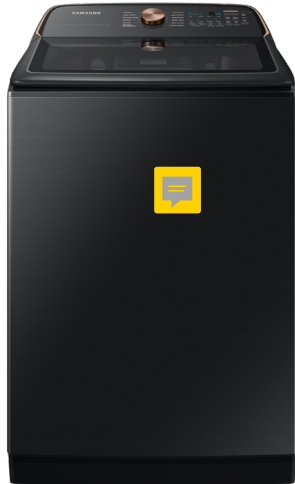


WA53CG7155

SAMSUNG

Samsung 6.1 cu. ft. Smart Top Load Washer with Pet Care Solution and Super Speed Wash



Agitator



Pet Care Solution

Available Colour



Navy Steel
WA54CG7150AD

Features

- Pet Care Solution
- Extra-Large Capacity 6.1 cu. ft.
- Wi-Fi Connectivity with SmartThings*
- Super Speed Wash
- Active WaterJet
- 20-Year Motor Warranty
- Deep Fill
- Vibration Reduction Technology+
- Swirl+ Tub Interior
- Self Clean
- Soft-Close Lid
- ENERGY STAR® Certified
- Smart Care
- Accessibility (AUI, Braille)
- 750 RPM Maximum Spin Speed
- Digital Inverter Motor
- 17 Total Washing Cycles
- 10 Additional Washing Options

Convenience

- Child Lock
- Dispenser Trays:
Main Wash, Softener, Bleach

Ratings



ENERGY STAR® Rated:
120 kWh/yr

Electrical Requirements

- 120 V / 60 Hz
15 Amps

Specifications

12 Preset Washing Cycles:

Normal, Bedding/Waterproof, Heavy Duty, Colours, Whites, Delicates, Quick Wash, Self Clean, Rinse + Spin, Deep Wash, Pet Care Wash, Downloaded.

5 Downloadable Washing Cycles:

Permanent Press, Wool, Eco Cold, Denim, Power Rinse.

10 Additional Washing Options:

Delay End, Presoak, Sound Off, Child Lock, Fabric Softener, Deep Fill, Super Speed, Smart Care, Smart Control, Spin Only.

5 Temperature Settings:

Hot, Warmer, Warm, Cool, Cold.

5 Spin Settings:

High, Medium High, Medium, Low, No Spin.

5 Soil Settings:

Heavy, Heavy Medium, Normal, Low Medium, Light.

Warranty

One (1) Year Parts and Labour.
Twenty (20) Years; Washing DIT (Digital Inverter Motor) Motor Part (Part Only)

Product Dimensions & Weight (WxHxD)

Dimensions: 27⁹/₁₆" x 45¹³/₁₆" x 29⁷/₁₆"
Weight: 134.5 lb (61 kg)

Shipping Dimensions & Weight (WxHxD)

Dimensions: 30¹/₈" x 47¹¹/₁₆" x 31¹/₄"
Weight: 143.3 lb (65 kg)

Agitator Washer

Navy Steel	WA53CG7155AD	887876760353
------------	--------------	--------------

Matching Electric Dryer

Navy Steel	DVE54CG7155D	887276759913
------------	--------------	--------------

* Requires wireless network, Samsung account and Samsung SmartThings App. The Samsung SmartThings App supports Android OS 4.0 (ICS) or later which is optimized for Samsung smartphones (Galaxy S and Galaxy Note series). This app also supports iOS 7 or later for iPhone models. Samsung SmartThings App available in App Store and Play Store.

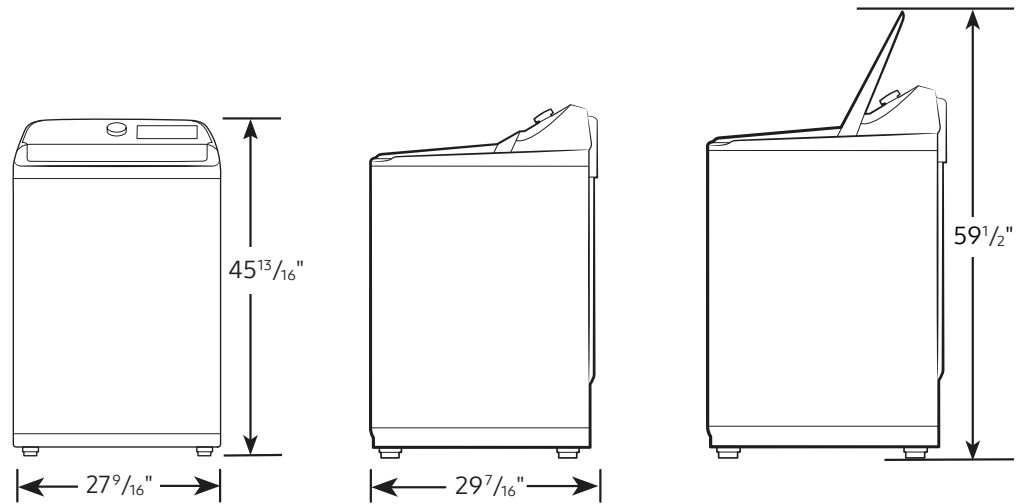
WA53CG7155

SAMSUNG

Samsung 6.1 cu. ft. Smart Top Load Washer with Pet Care Solution and Super Speed Wash

Dimensions

Required dimensions for installation:

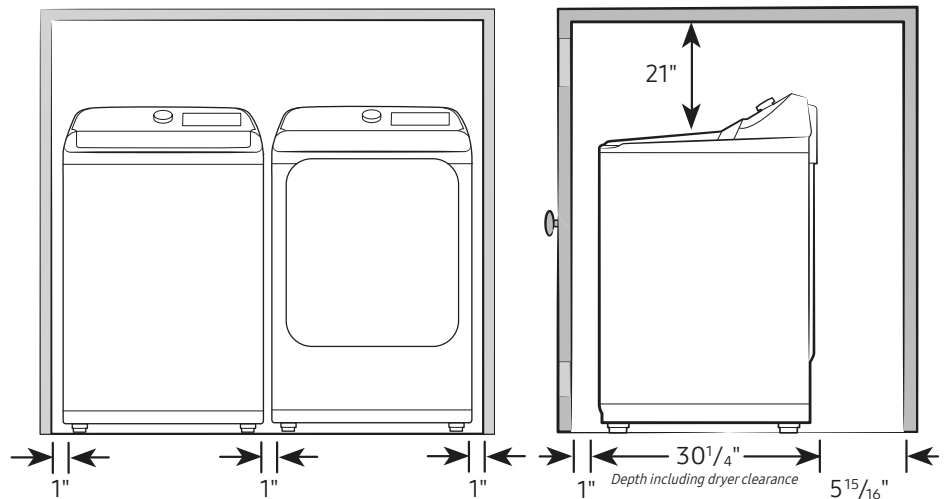


Installation Specifications – Side-by-Side

If the washer and dryer are installed together or the dryer alone, the closet front must have two unobstructed air openings for a combined minimum total area of 72-inch². Your washer alone does not require a specific air opening.

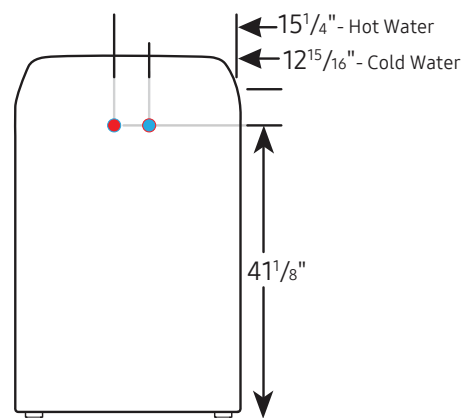
Alcove or closet installation

Minimum clearance for closet and alcove installations:



Connection Dimensions

Back view of washer



LEGEND:

- Hot Water Connection
- Cold Water Connection

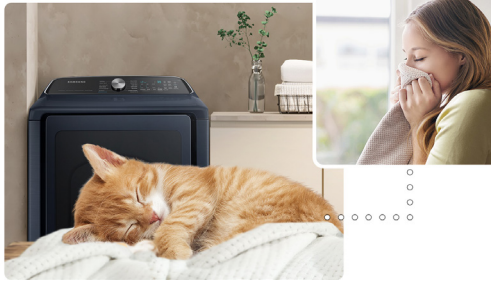
Actual colour may vary. Design, specifications and colour availability are subject to change without notice. Non-metric weights and measurements are approximate.

© 2023 Samsung Electronics Canada Inc. All rights reserved. Samsung is a registered trademark of Samsung Electronics Co., Ltd., used with permission.

DVE54CG7155D

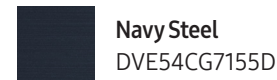
SAMSUNG

Samsung 7.4 cu. ft. Smart Electric Dryer with Pet Care Dry and Steam Sanitize+



Pet Care Dry Cycle
Remove unpleasant odours

Available Colour



Features

- Pet Care Dry
- Steam Sanitize+
- Wi-Fi Connectivity with SmartThings*
- Sensor Dry
- Smart Care**
- Interior Drum Light
- Reversible Door
- Accessibility (AUI, Braille)
- Large 7.4 cu. ft. Capacity
- Lint Filter Indicator
- 21 Total Drying Cycles
- 10 Options
- 5 Temperature Settings
- 4-Way Venting (Back, Bottom, Left, Right)

Convenience

- Child Lock
- Lint Filter Indicator

Ratings



ENERGY STAR® Rated:
608 kWh/yr

Electrical Requirements

- 240 V / 60 Hz
- 30 Amps

Specifications

12 Preset Drying Cycles:

Refresh, Steam Sanitize+, Normal, Heavy Duty, Permanent Press, Bedding, Delicates, Pet Care Dry, Time Dry, Air Fluff, Quick Dry, Downloaded.

9 Downloadable Drying Cycles:

Wrinkle Away, Eco Normal, Towels, Wool, Sanitize, Shirts, Denim, Low Temp, Rack Dry.

10 Options:

Damp Alert, Wrinkle Prevent, Adjust Time (Up), Adjust Time (Down), Child Lock, Sound On/Off, Eco Dry, Smart Care, Drum Light, Smart Control.

5 Temperature Settings:

High, Medium High, Medium, Medium Low, Low.

5 Dry Levels:

More Dry, Normal-More Dry, Normal Dry, Normal-Less Dry, Less Dry.

Warranty

One (1) Year Parts and Labour.

Product Dimensions & Weight (WxHxD)

Dimensions: 27" x 45¹³/₁₆" x 30¹/₄"
Weight: 119 lb (54 kg)

Shipping Dimensions & Weight (WxHxD)

Dimensions: 29⁹/₁₆" x 48⁵/₈" x 31³/₁₆"
Weight: 127.9 lb (58 kg)

Electric Dryer	Model #	UPC Code
Navy Steel	DVE54CG7155D	887276759913
Matching Impeller Washer		
Navy Steel	WA54CG7150AD	887276760360
Matching Agitator Washer		
Navy Steel	WA53CG7155AD	887876760353
Optional Accessories	Model #	UPC Code
Vent Kit	DV-2A	887276146416

¹Requires wireless network, Samsung account and Samsung SmartThings App. ²Designed to fit a 38" installation depth. The Samsung SmartThings App supports Android OS 4.0 (ICS) or later which is optimized for Samsung smartphones (Galaxy S and Galaxy Note series). This app also supports iOS 7 or later for iPhone models. Samsung SmartThings App available in App Store and Play Store.

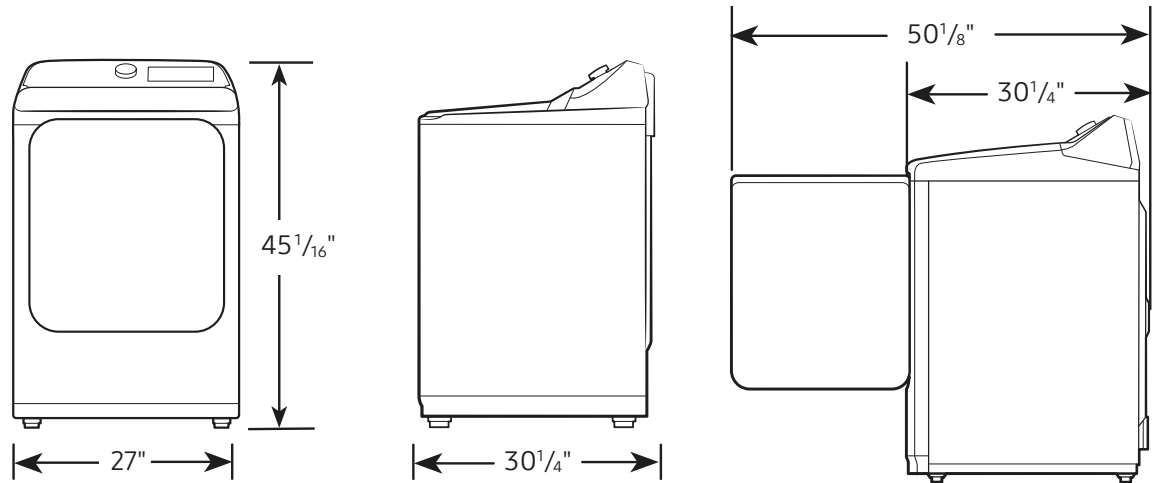
DVE54CG7155D

SAMSUNG

Samsung 7.4 cu. ft. Smart Electric Dryer with Pet Care Dry and Steam Sanitize+

Dimensions

Required dimensions for installation:

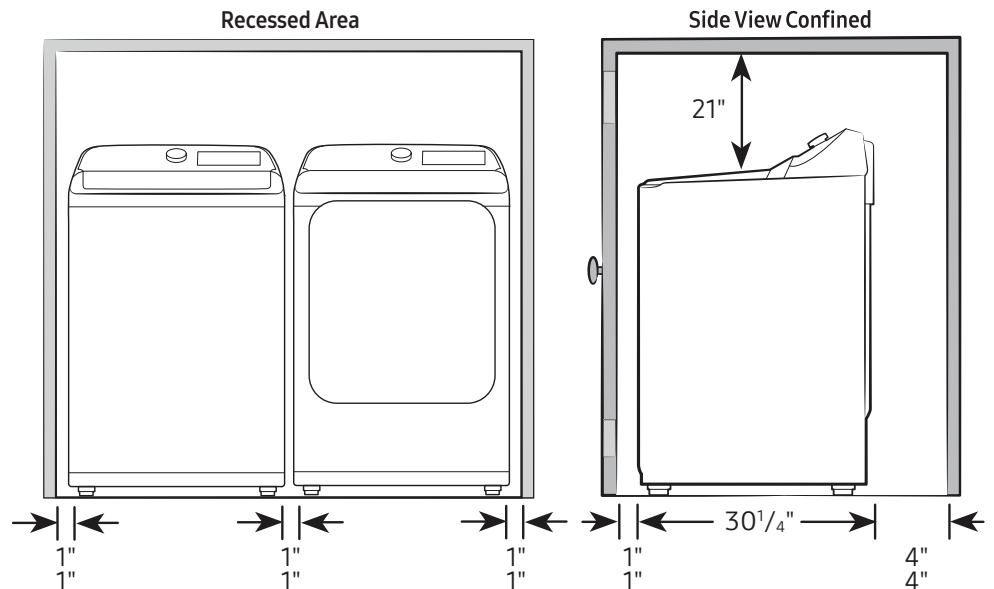


Installation Specifications – Side-by-Side

If the washer and dryer are installed together or the dryer alone, the closet front must have two unobstructed air openings for a combined minimum total area of 72-inch². Your washer alone does not require a specific air opening.

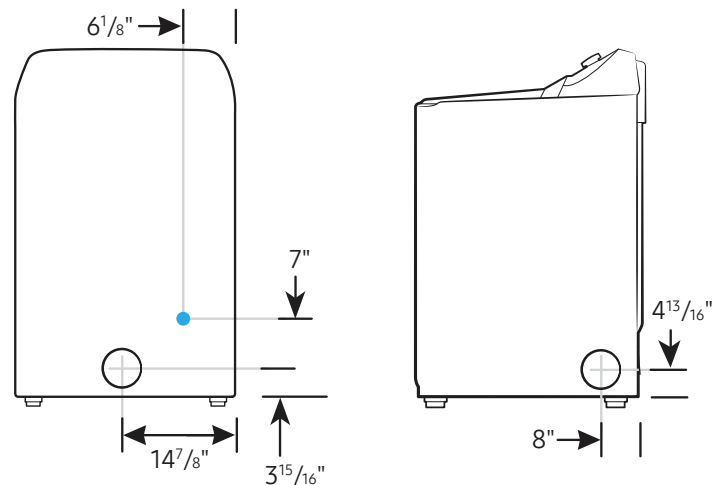
Alcove or closet installation

Minimum clearance for closet and alcove installations:



Connection Dimensions

Back and Side View of Electric Dryer



LEGEND:

- Cold Water Connection

Actual colour may vary. Design, specifications and colour availability are subject to change without notice. Non-metric weights and measurements are approximate.

© 2023 Samsung Electronics Canada Inc. All rights reserved. Samsung is a registered trademark of Samsung Electronics Co., Ltd., used with permission.