

ASSEMBLY INSTRUCTION

PAGE 1/3

MADE IN MALAYSIA

D475-12-03

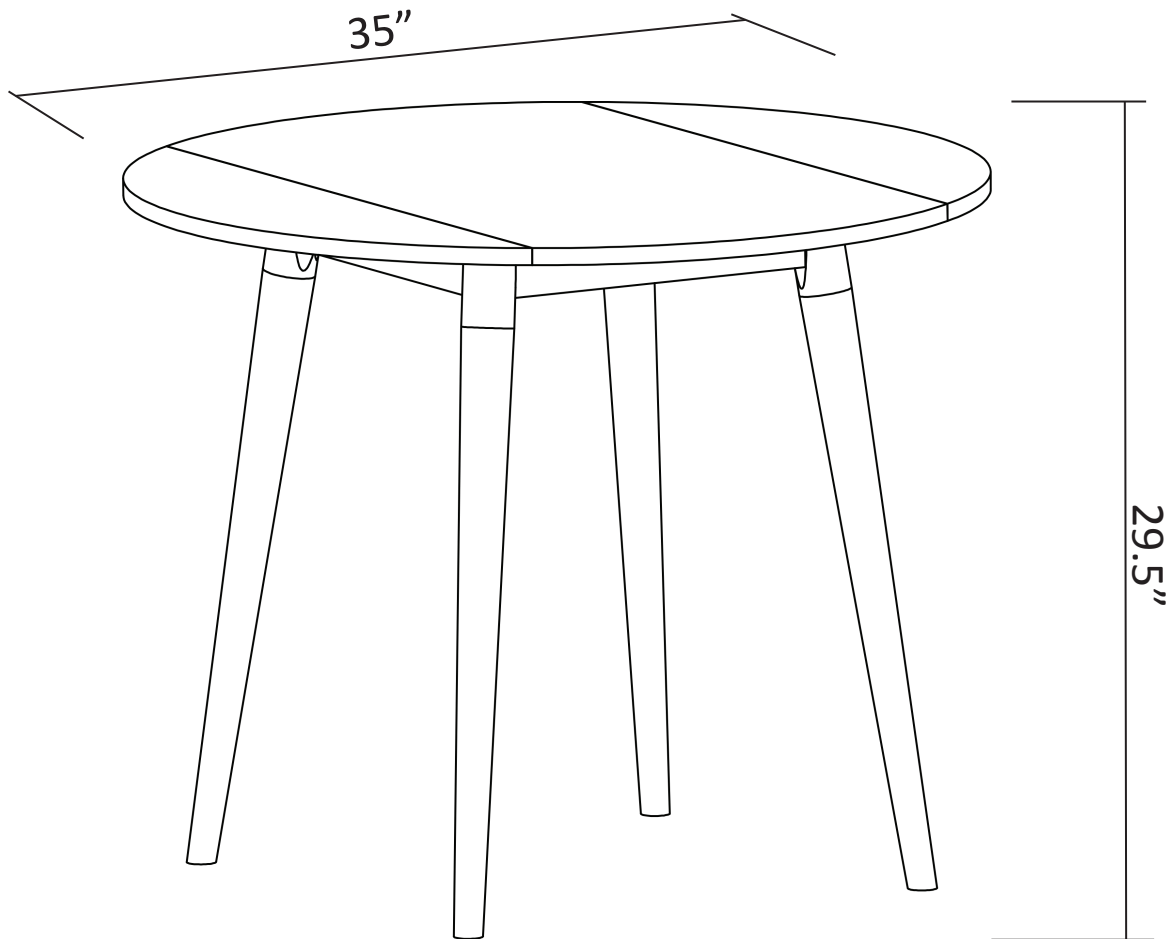
D475-12-06

Thank you for purchasing this quality product. Be sure to check all packing materials carefully for small parts that may have come loose inside the carton during shipment.

Before you start assembly: please read all instructions carefully before beginning the assembly process. It is recommended that 2 people work together during assembly to prevent personal injury and to ensure that heavy or cumbersome parts are not damaged during the process.

CAUTION : For your safety, this product required two people to lift.

Assembled Dimensions



5 MINUTE

APPROXIMATE ASSEMBLY TIME

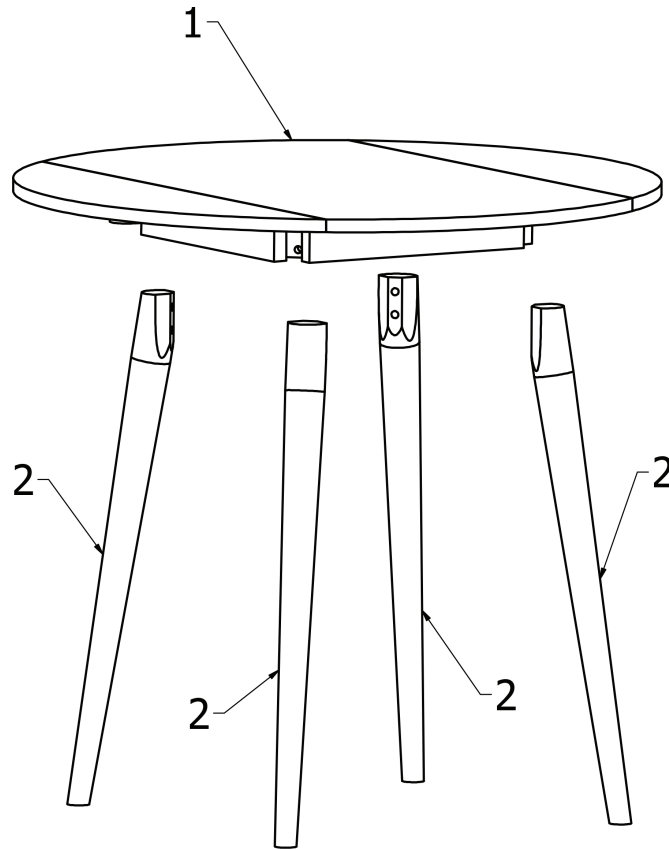


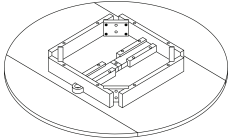
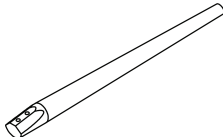
1 PERSON



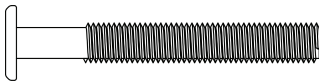
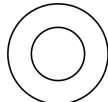
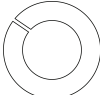

REQUIRED ASSEMBLY SPACE

PART LIST



NO		PART LIST	QTY
1		TABLE TOP	1
2		TABLE LEG	4

HARDWARE LIST

NO	HARDWARE LIST	QTY	NO	HARDWARE LIST	QTY
A	 JCBC (m8x70)	8	C	 FLAT WASHER(m8)	8
B	 SPRING WASHER(m8)	8	D	 ALLEN KEY(m5)	1

STEP 1

