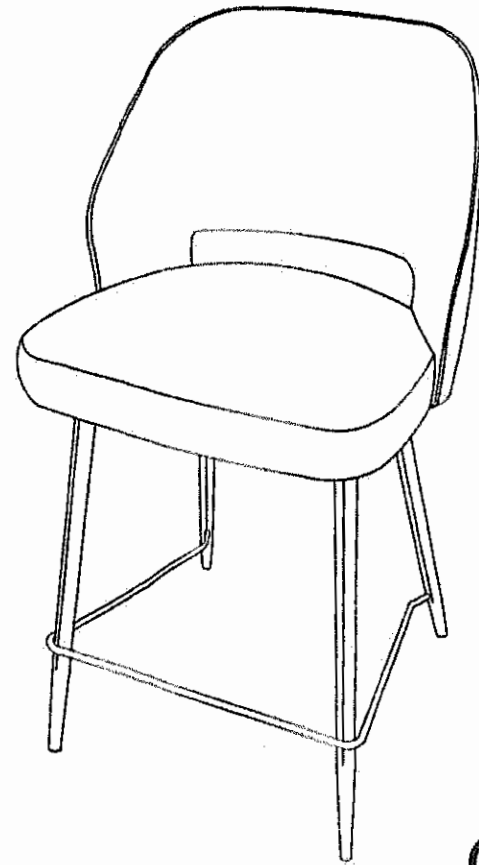
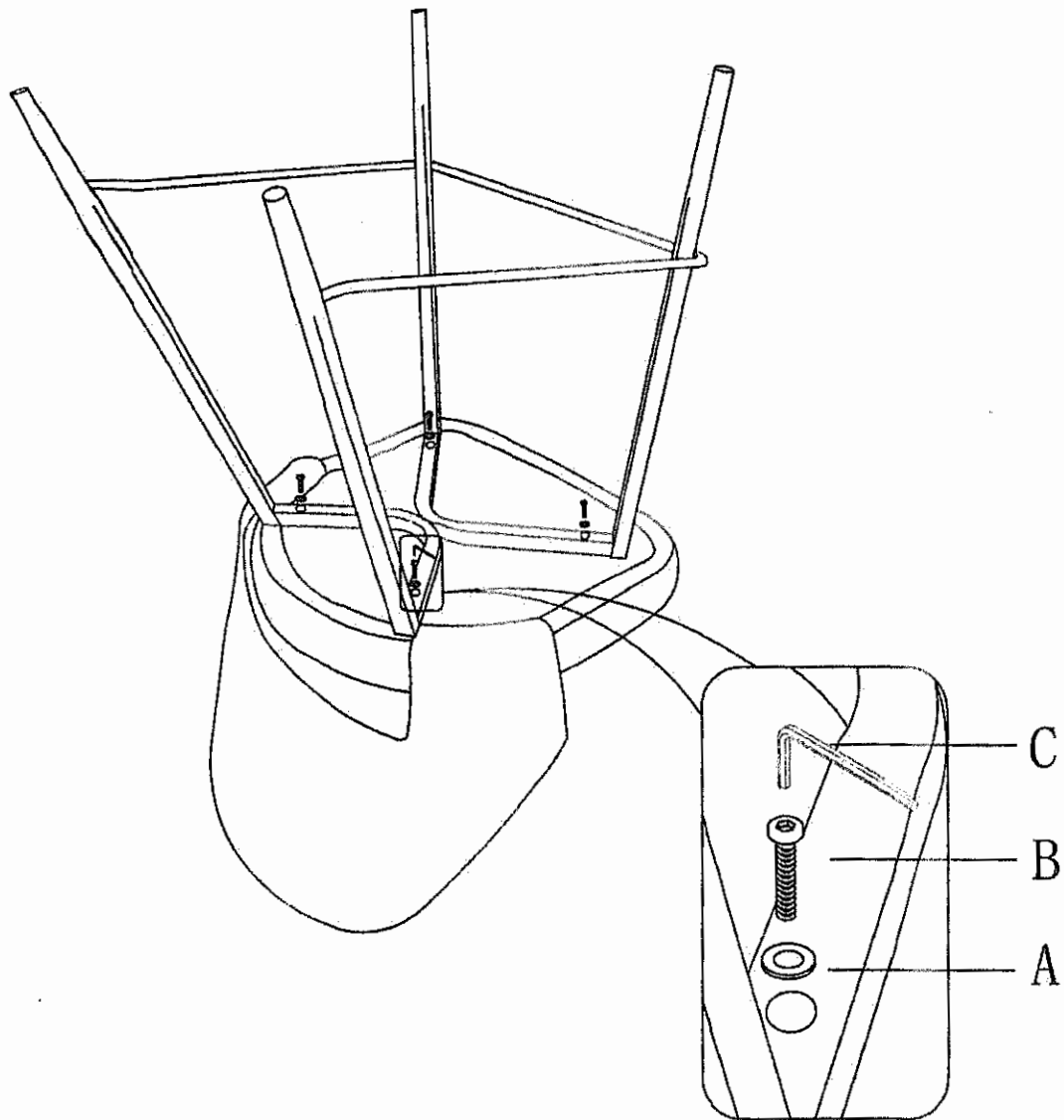





# ASSEMBLY INSTRUCTION

## STEP 1



### CSCH51

A		4
B		4
C		1