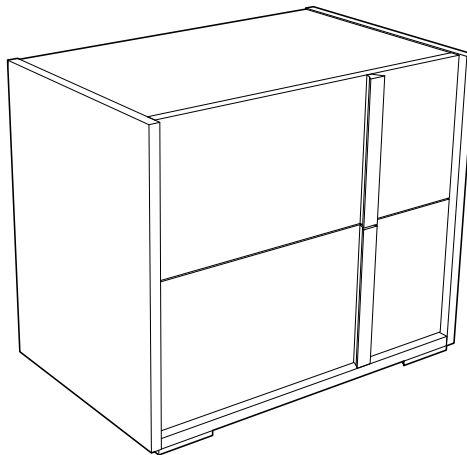
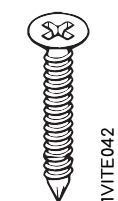


# BIANCA NIGHT TABLE

TABLE DE NUIT



BIBWHCD01



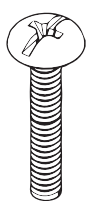
IVITE042

x12



IFELT000

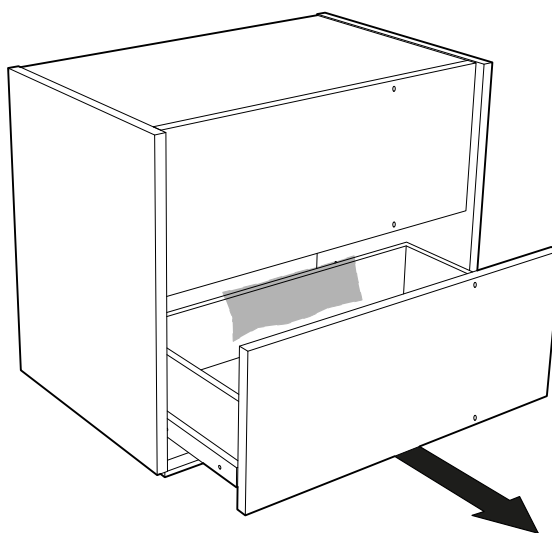
x8



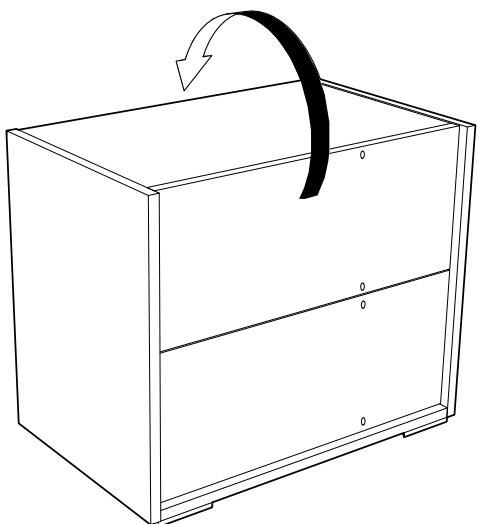
IVITE037

x4

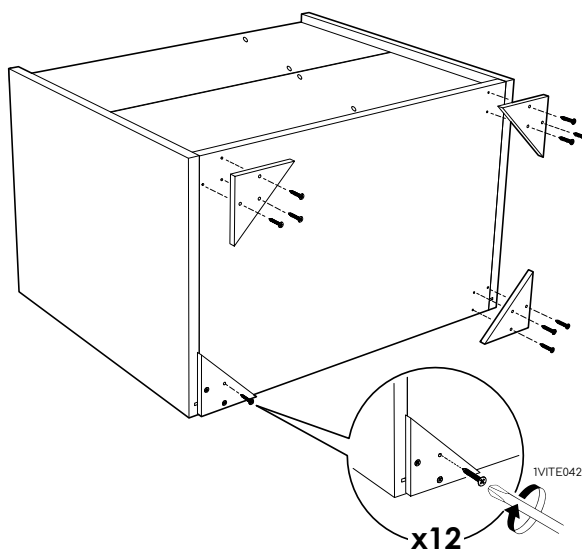
1.



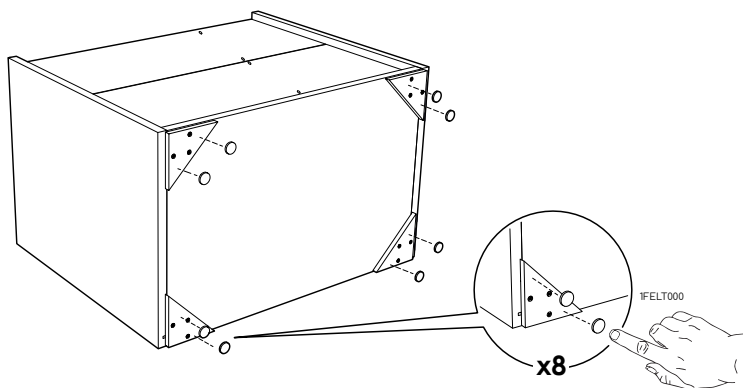
2.



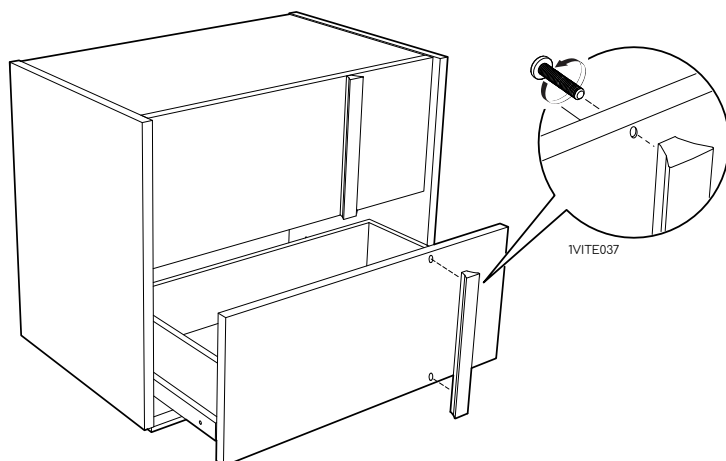
3.



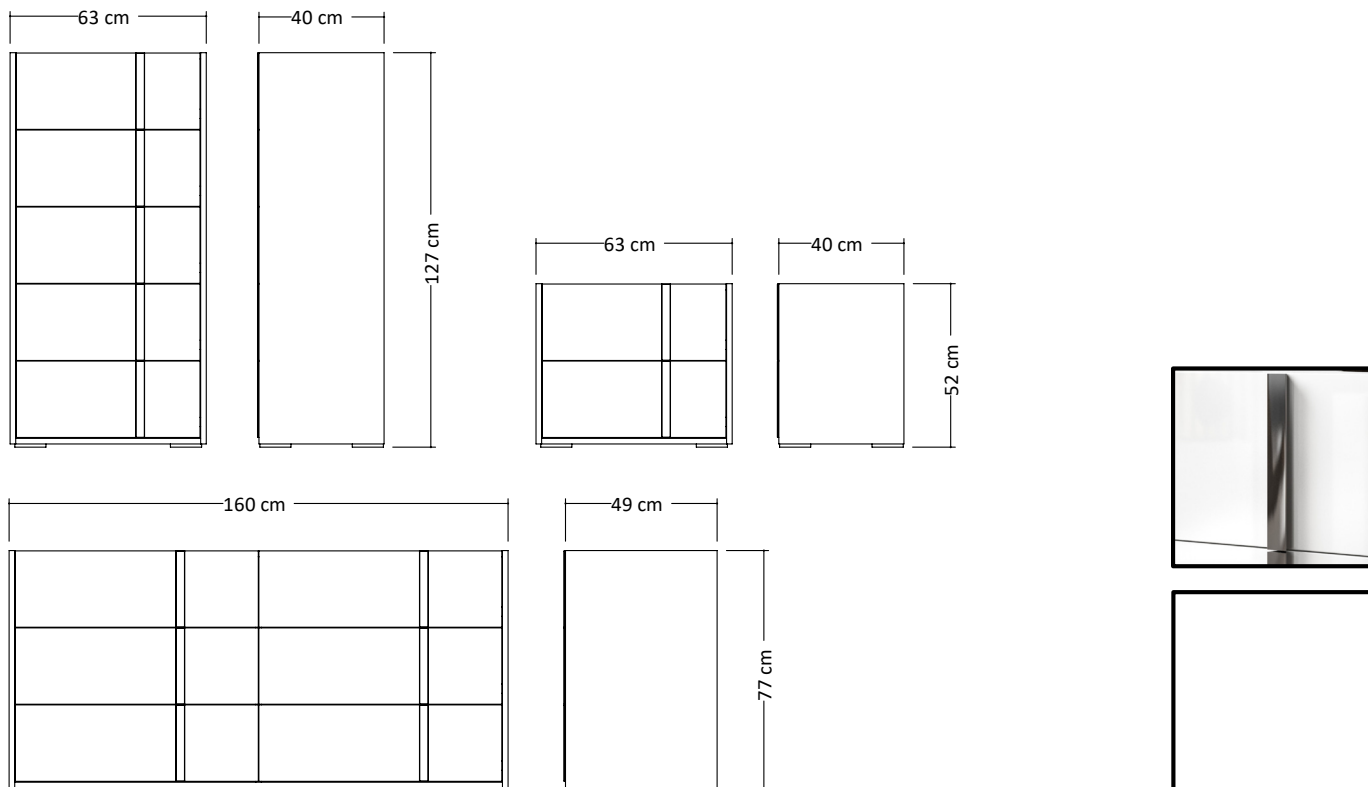
4.



5.



## NIGHT TABLE, DRESSER, CHEST OF DRAWERS



<b>Top</b>	18mm thick, wood-based panel covered with low-pressure laminate (LPL) White color finish, high gloss acrylic lacquer. 1mm thick, ABS edges
<b>Bottom</b>	18mm thick, wood-based panel covered with low-pressure laminate (LPL) White color finish. 1mm thick, ABS edges
<b>Side panels</b>	18mm thick, wood-based panel covered with low-pressure laminate (LPL) White color finish, high gloss acrylic lacquer. 1mm thick, ABS edges
<b>Back panel</b>	3 mm thick, double-sided laminated MDF
<b>Drawers</b>	<ul style="list-style-type: none"> <li>• Front: 18mm thick, wood-based panel covered with low-pressure laminate (LPL) White color finish, high gloss acrylic lacquer. 1mm thick, ABS edges</li> <li>• Inside: 12mm thick, wood-based panel covered with low-pressure laminate (LPL) Textured finish. Folding system</li> <li>• Bottom: 4mm thick, double-sided laminated MDF</li> <li>• Metal sliding guides with soft closing system</li> </ul>
<b>Handles</b>	ABS, Black Chrome color
<b>Feet</b>	Fiberglass ABS. Black Chrome color. H.10mm

### Cleaning:

- Please use a damp cloth and mild liquid detergent.
- Do not use abrasive sponges that can flatten the surfaces. Please use a soft cloth.
- Do not use powder detergent or abrasive products, bleach or highly chlorinated substances, acids and strong bases