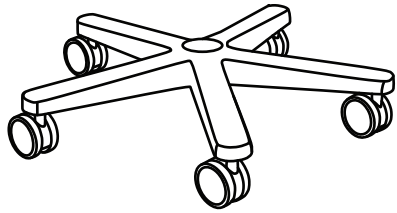
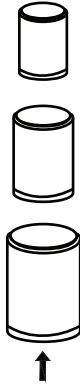


# Benjamin Assembly Instructions

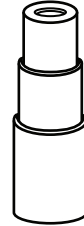
## Parts List:



Base & Casters



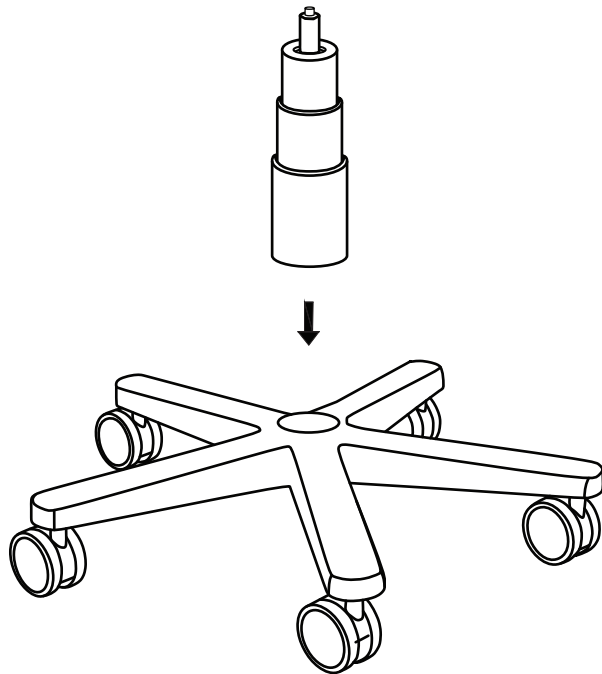
Cover Can  
Assembled



Gas Lift

## Assembly Steps:

### Step 1: Insert Gas Lift into Base



### Step 2: Attach Gas Lift to Seat

