



DONALD CHOI CANADA LTD.

Head Office

Donald Choi Canada Ltd.

147 Bathurst Drive

Waterloo, Ontario N2V 1Z4

Customer Service :1-866-332-2464 Email :service@donaldchoi.com

ASSEMBLY INSTRUCTIONS

BARRIE DINING CHAIR

ITEM NO : 0251632

*IF ANY PART(S) ARE MISSING (hardware only), please contact us at the address above.
Any missing major parts, please contact your place of purchase.

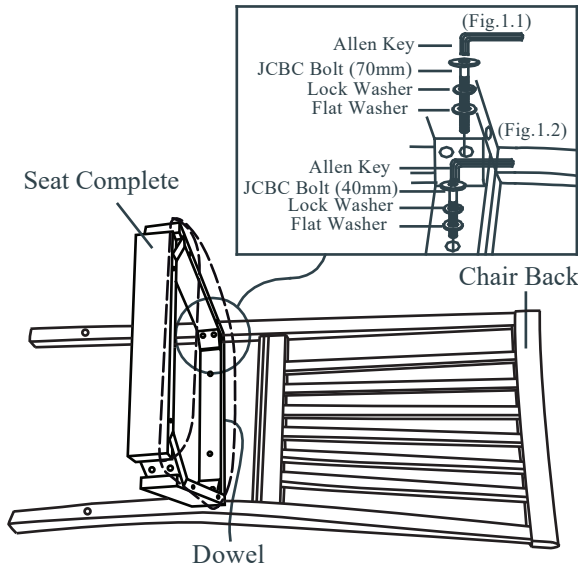
PART LIST

NO	DESCRIPTIONS	QTY
A	CHAIR BACK	1 PC
B	SEAT COMPLETE	1 PC
C	LEFT FRONT LEG	1 PC
D	RIGHT FRONT LEG	1 PC
E	LEFT STRETCHER	1 PC
F	RIGHT STRETCHER	1 PC

HARDWARE LIST

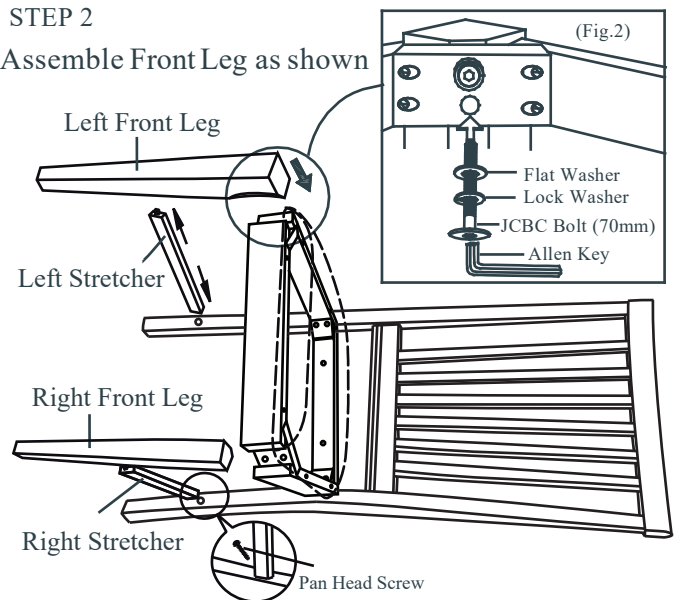
NO	DESCRIPTIONS	QTY
1	M6X70MM JCBC BOLT	8 PCS
2	M6X40MM JCBC BOLT	2 PCS
3	M6X13mm LOCK WASHER	10 PCS
4	M6.5X16.5 FLAT WASHER	10 PCS
5	M4X2.1/2"ALLEN KEY	1 PC
6	8X1.1/4"PAN HEAD SCREW	4 PCS

STEP 1



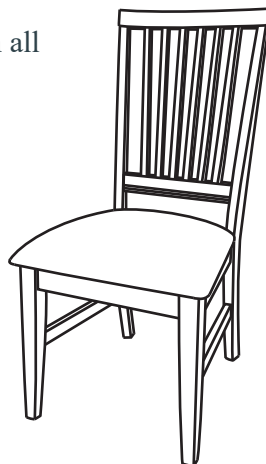
STEP 2

Assemble Front Leg as shown



STEP 3

Turn the chair upright. Check its balance and tighten all screws and bolts to complete the assembly.



For missing parts please contact :

Donald Choi Canada Ltd.

147 Bathurst Drive

Waterloo, Ontario N2V 1Z4

Customer Service :1-866-332-2464 Email :service@donaldchoi.com

MADE IN MALAYSIA

PAGE 1 OF 1