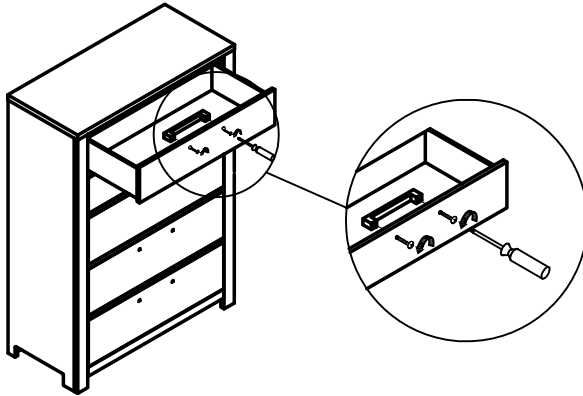
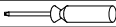




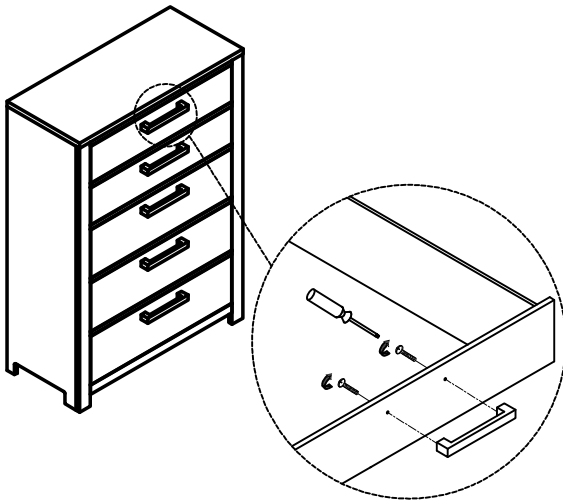
Thank you for purchasing this quality product . Be sure to check all packing material carefully for small parts which may have come loose inside the carton during shipment .Identify and count all parts and compare with the parts list below .

**WARNING:** To avoid alignment issue, please don't tighten the screws unless all legs are adjusted at the same level.

**Step 1**


TOOLS REQUIRED (NOT PROVIDED)		
PHILLIPS SCREWDRIVER		

NO		SKETCH	QTY
A	DRAWER DRESSER		1 pc
B	TIPPING RESTRAINT		1 SET

**Step 2**

**Step 3**
