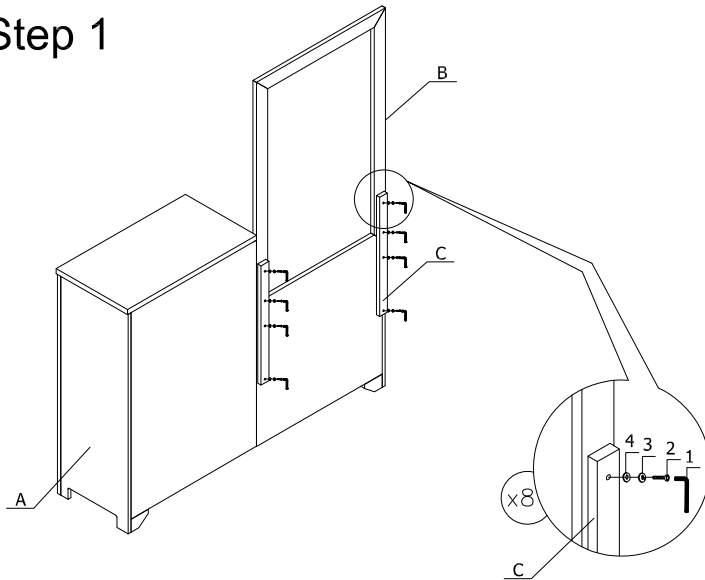


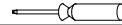
Thank you for purchasing this quality product . Be sure to check all packing material carefully for small parts which may have come loose inside the carton during shipment .Identify and count all parts and compare with the parts list below .




WARNING: To avoid alignment issue, please don't tighten the screws unless all legs are adjusted at the same level.


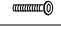

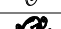
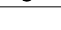
Step 1


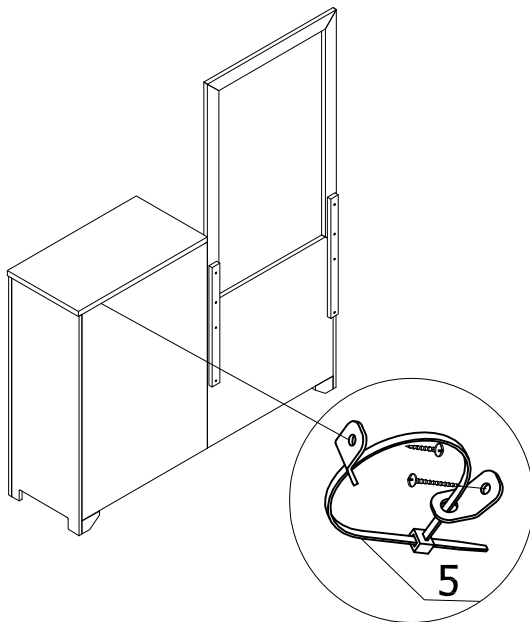
TOOLS REQUIRED (NOT PROVIDED)

PHILLIPS SCREWDRIVER



NO		SKETCH	QTY
A	DRAWER DRESSER		1 pc
B	Swivel Mirror		1 pc
C	MIRROR SUPPORT		2 pcs

NO	DESCRIPTION	SKETCH	SIZE	QTY
1	Allen Key		75X25X4mm	1 pc
2	Bolt.		Φ1/4"x35mm	8 pcs
3	Spring Washer		Φ1/4"x13x2mm	8 pcs
4	Flat Washer		Φ1/4"x19x2mm	8 pcs
5	TIPPING RESTRAINT			1 SET

Step 2

Step 3
