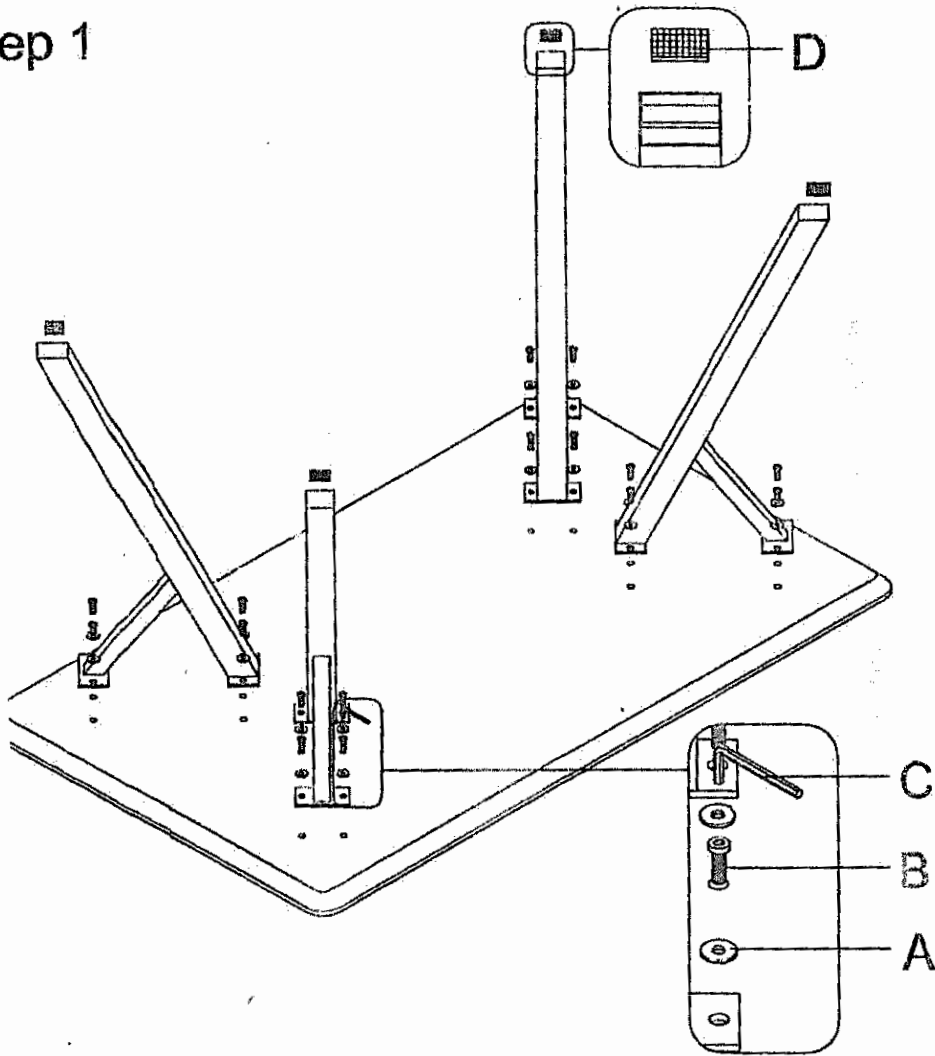


ASSEMBLY INSTRUCTION

Step 1

AT390



x16

B



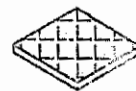
x16

C



x1

D



x4