









# Assembly Instruction

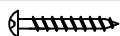
HOUS 6170 - 21USF 5/0 Storage Footboard  
 HOUS 6170 - 22USF 6/6 Storage Footboard  
 HOUS 6170 - 22R 5/0-6/6 Wider rails

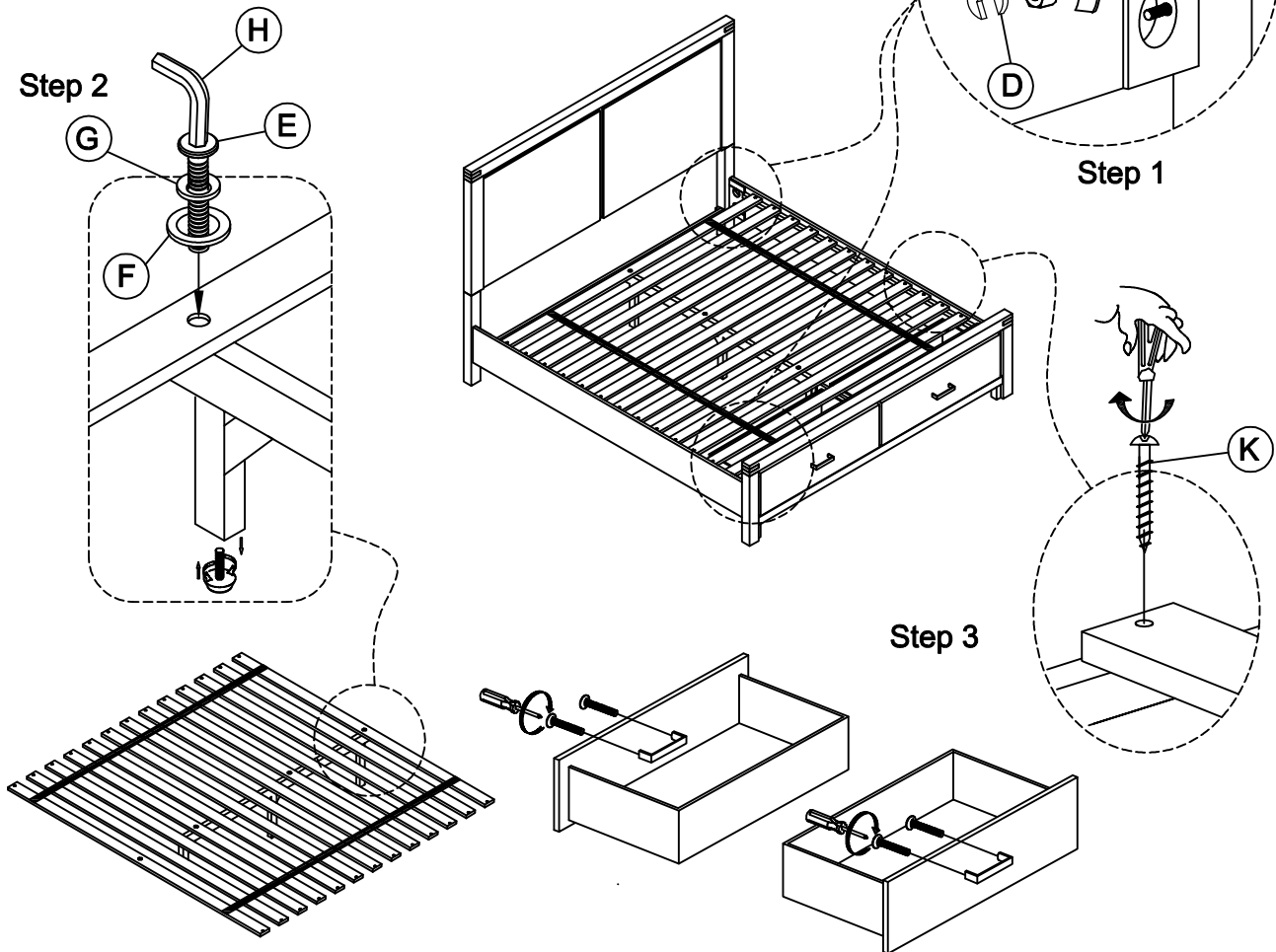
Thank you for purchasing this quality product. Be sure to check all packing material carefully for small parts which may have come loose inside the carton during shipment. Separate. Identify and count all parts and compare with the parts list below.  
**\*\*Assemble the product on a flat, soft surface such as a carpet or cloth to prevent scatching the finish. Read all instruction and study the drawings carefully before starting the assembly process.**

**Hardware list 1 Box in Side rail**

Step	Code	Hardware	Q'ty
1	A	Hanger Bolt $\Phi 5/16 \times 89\text{mm}$ 	8
1	B	"C" Washer $\Phi 5/16 \times 35 \times 14\text{mm}$ 	8
1	C	Nut $\Phi 5/16 \times 12 \times 18\text{mm}$ 	8
1	D	Wrench 12mm 	1
2	E	Flat Head Bolt $\Phi 1/4 \times 38\text{mm}$ 	3
2	F	Flat Washer $\Phi 1/4 \times 16 \times 2\text{mm}$ 	3
2	G	Spring Washer $\Phi 1/4 \times 11 \times 2\text{mm}$ 	3
2	H	Allen Key M4*58mm 	1

**Hardware list 2 Box in Footboard**

Step	Code	Hardware	Q'ty
3	K	Screw #8*30mm 	26



**Cleaning Instruction:** Clean finished parts with a mild dishwashing liquid and water solution on a damp cloth. Polish the finish with soft and an industry recognized furniture polish.